

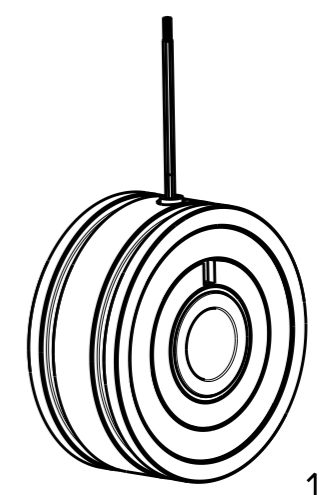
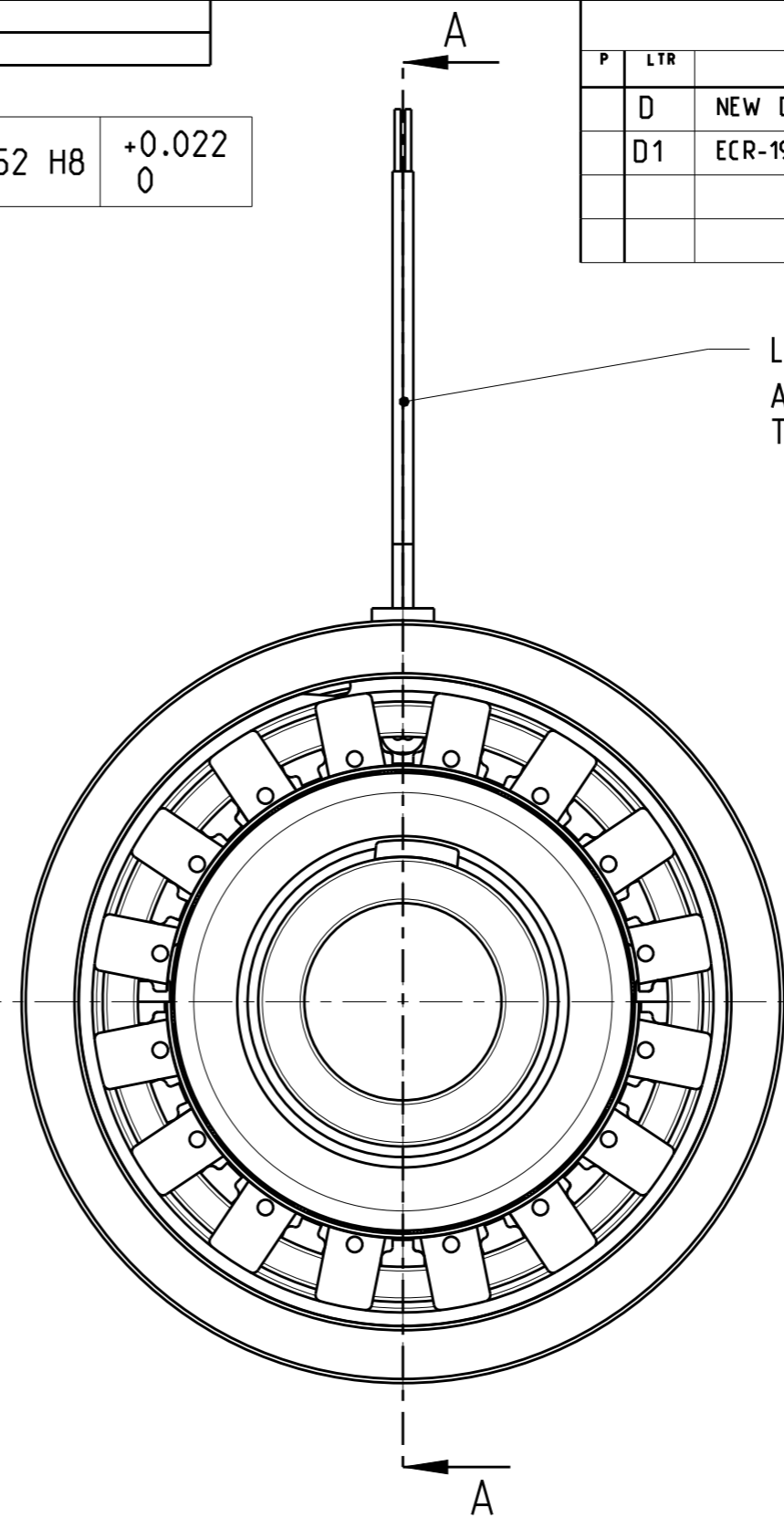
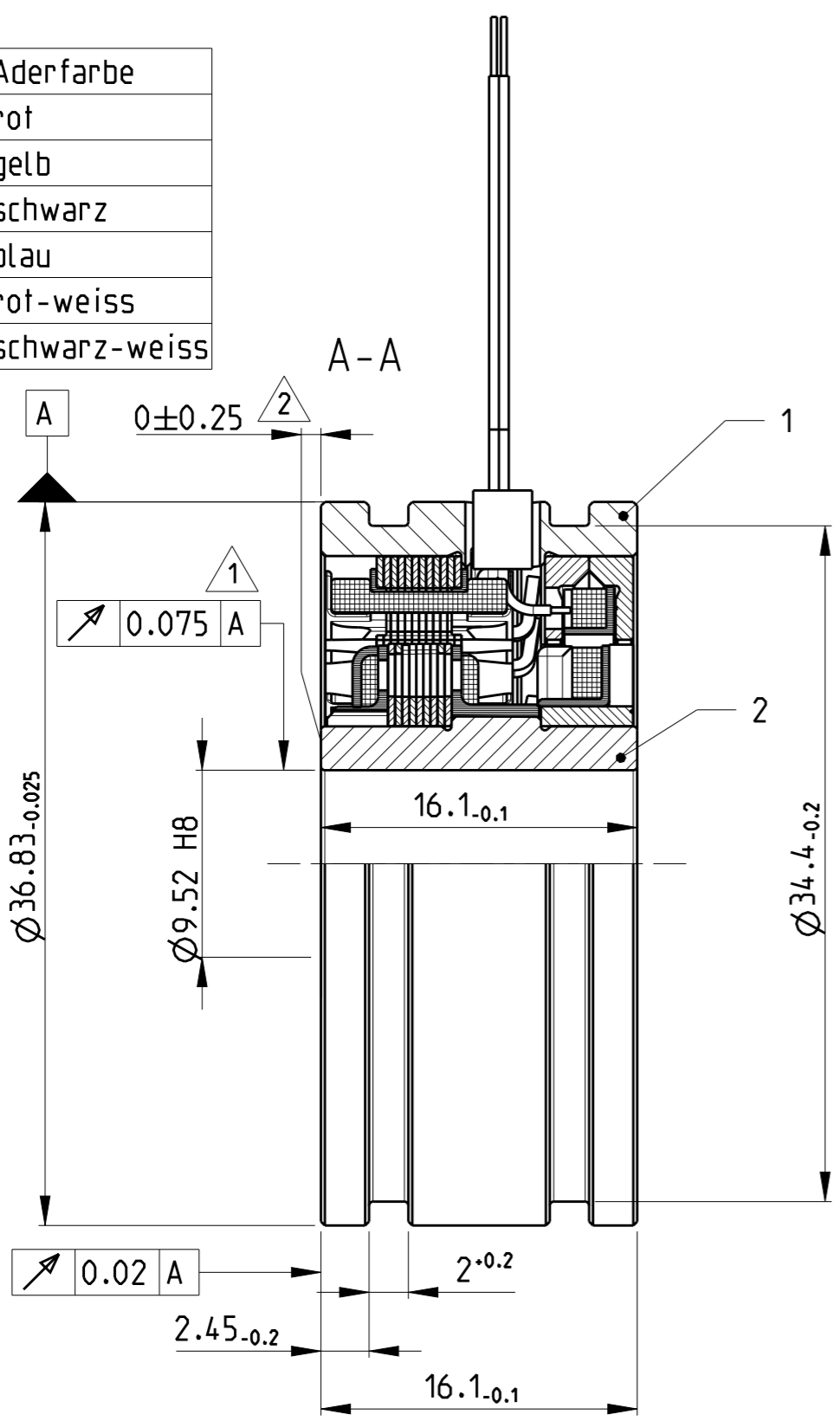
THIS DRAWING IS UNPUBLISHED. RELEASED FOR PUBLICATION 2018
 © COPYRIGHT 2018 BY Tyco Electronics AMP GmbH ALL RIGHTS RESERVED.

REVISIONS					
P	LTR	DESCRIPTION	DATE	DWN	APVD
D		NEW DRAWING	05 JUNE 2018	GK	SB
D1		ECR-19-011771	25 JUL 2019	GK	OD

Signal	Aderfarbe
S1	rot
S2	gelb
S3	schwarz
S4	blau
R1	rot-weiss
R2	schwarz-weiss

9.52 H8 +0.022
0

L=470+10
AWG 26.
Teflon isoliert




1 Gesamtschlag im eingebauten Zustand
 2 Axialversatz

SIMILAR TO C23135-A291-A20

ITEM NO	PARTNUMBER	DESCRIPTION	ITEM NO
1	1-1824862-0	Rotor kpl. / Bauform B1 (12N)	2
1	1-1824763-0	Gehäuse kpl. / Bauform S1	1
1-1824950-0	PARTNUMBER	DESCRIPTION	ITEM NO
REVISION OF EACH ASSY NO. (WHEN BLANK, USE DWG. REVISION)			
PARTS LIST			

THIS DRAWING IS A CONTROLLED DOCUMENT.

DWN	GOPALAKRISHNA HV	05 JUNE 2018	 TE Connectivity
CHK	SARFRAZ BILAL	05 JUNE 2018	
APVD	ONDREJ DUSAN	05 JUNE 2018	
PRODUCT SPEC			
APPLICATION SPEC			NAME
WEIGHT			Hohlwellendrehmelder / Gr.15 Bauform S1
CUSTOMER DRAWING			SIZE
			A3
			CAGE CODE
			00779
			DRAWING NO
			C-1824950
			RESTRICTED TO
			SCALE
			3:1
			SHEET
			1 OF 1
			REV
			D1