

# Absolute encoders - modular bus covers

Solid shaft with synchro flange

Magnetic singleturn encoders 12 bit

## BMSV 70 flexible - MAGRES



BMSV 70 flexible with synchro flange

### Features

- Encoder singleturn / bus cover
- Magnetic sensing, permanent shock proof
- Resolution: singleturn 12 bit
- Modular fieldbus interfaces
- High resistance to shock and vibrations
- Resolution and zero point programmable
- CANopen®/DeviceNet/EtherCAT/EtherNet-IP  
SAEJ1939/PROFINET/POWERLINK/Profibus
- Safety screw connection

### Technical data - electrical ratings

Voltage supply	10...30 VDC
Consumption typ.	100 mA (24 VDC, w/o load)
Initializing time typ.	170 ms after power on
Interfaces	CANopen®, DeviceNet, EtherCAT, EtherNet/IP, Profibus-DPV0/V2, PROFINET, POWERLINK, SAEJ1939
Function	Singleturn
Device adress	Rotary switch in bus cover
Steps per turn	≤4096 / 12 bit
Absolute accuracy	±1 °
Sensing method	Magnetic
Code	Binary
Code sequence	CW default, programmable
Interference immunity	DIN EN 61000-6-2
Emitted interference	DIN EN 61000-6-3
Programmable parameters	Steps per revolution Preset Scaling Rotating direction
Diagnostic function	Position or parameter error
Status indicator	DUO-LED integrated in bus cover
Approval	UL approval / E217823

### Technical data - mechanical design

Size (flange)	ø70 mm
Shaft type	ø12 mm solid shaft
Flange	Synchro flange
Protection DIN EN 60529	IP 64
Operating speed	≤6000 rpm
Operating torque typ.	0.023 Nm
Shaft loading	≤40 N axial ≤60 N radial
Materials	Housing: steel ETG100, bronzed Bus cover, lid: aluminium
Operating temperature	-20...+85 °C
Relative humidity	95 %
Resistance	DIN EN 60068-2-6 Vibration 30 g, 10-2000 Hz DIN EN 60068-2-27 Shock 20 g, 6 ms
Weight approx.	770 g
Connection	Bus cover

# Absolute encoders - modular bus covers

Solid shaft with synchro flange

Magnetic singleturn encoders 12 bit

## BMSV 70 flexible - MAGRES

### Part number

#### Singleturn synchro flange

**BMSV 70S1N**   12/00 L2 E

				Connection E Complete encoder with bus cover, M12
				Solid shaft L2 ø12 mm, IP 64
				Resolution 12/00 12 bit singleturn
				Voltage supply / signals 24B 10...30 VDC / CANopen® 24D 10...30 VDC / DeviceNet 24P 10...30 VDC / Profibus-DPV0 24Q 10...30 VDC / Profibus-DPV2 246 10...30 VDC / EtherCAT 24I 10...30 VDC / EtherNet/IP 24L 10...30 VDC / POWERLINK 24H 10...30 VDC / PROFINET 24J 10...30 VDC / SAEJ1939

### Accessories

#### Connectors and cables

10160565	Cable connector/connector M12, EtherCAT, straight, 5 m
11046264	Female connector M12, 5-pin, straight, 2 m cable
10153968	Female connector M12, 5-pin, straight
10157909	Cable with male/female M12, Profibus, straight, B-coded, 2 m
10159389	Cable with male/female M12, Profibus, straight, B-coded, 0.3 m (stub line)
10157911	Cable with male/female M12, Profibus, angled, B-coded, 2 m

#### Programming accessories

10147362	CD-ROM with GSD-/EDS-/XML files and user manuals
----------	--

CD with file descriptions is not included in the delivery.  
You may order them on CD as accessory under part number 10147362.

# Absolute encoders - modular bus covers

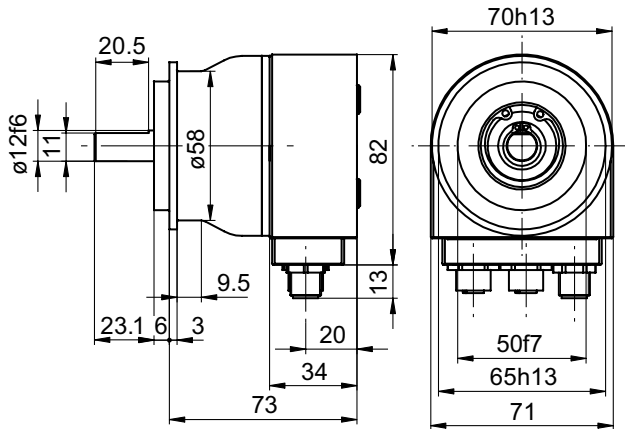
Solid shaft with synchro flange

Magnetic singleturn encoders 12 bit

## BMSV 70 flexible - MAGRES

### Dimensions

BMSV 70 flexible, bus cover



# Absolute encoders - modular bus covers

Solid shaft with synchro flange

Magnetic singleturn encoders 12 bit

**BMSV 70 flexible - *MAGRES***

---