

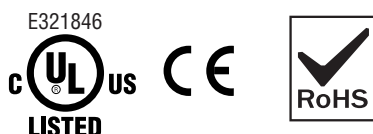
SERIES AI25 DeviceNet

ACURO

Absolute Encoder

Key Features

- Up to 14 Bit of Singleturn and 12 Bits of True Multiturn Absolute Positioning
- Onboard Diagnostics
- DeviceNet Interface



SPECIFICATIONS

STANDARD OPERATING CHARACTERISTICS

Single-turn Resolution: 10, 12, 13, 14 Bit
Multi-turn Resolution: 12 bit
Linearity: +/- 1/2 LSB
Absolute Accuracy: $\pm 0.01^\circ$ mechanical (36 arc-sec.)
Repeatability: $\pm 0.002^\circ$ mechanical (7.2 arc-sec.)
Code format: Binary
 Electrical
Connection: Bus Cover with spring terminal clamps
Supply voltage: 10-30 VDC
Intrinsic current consumption: 200 mA (ST), 220 mA (MT)
Baud Rate: 125, 250, 500 kBaud
Interface: CAN Highspeed according to ISO/DIS 11898, CAN Specification 2.0 B (11 and 29 bit identifier)
Protocol: According to DeviceNet V2.0
Transfer mode:
 Poll mode
 Bit strobe (time-synchronous for all devices)
 Change of State (automatic after change of values) Cyclic, with adjustable cycle timer

MECHANICAL

Shaft diameter:
 Shaft: 6 mm (Servo Mount), 10 mm (Clamping Mount), 3/8" (Square Flange Mount)
 Hubshaft: 10mm, 12 mm, 3/8", 1/2"
Maximum shaft load:
 6 mm shaft: 13 lb axial, 24 lb radial
 10 mm shaft: 24 lb axial, 35 lb radial
Maximum shaft speed: 10,000 RPM (continuous), 12,000 RPM (peak)
Starting torque: < 1.4 in-oz
Body Diameter: 58 mm, nominal
Weight (approx.): 350 g ST, 400 g MT
Shaft tolerance (hubshaft only): +/- 1.5 mm axial, +/- 0.2 mm radial
Flange configurations: Square, Clamp, Servo, Hubshaft with flexible tether
Bearing life:
 1 x 10¹⁰ revolutions at 35% full rated shaft load
 1 x 10⁹ revolutions at 75% full rated shaft load
 1 x 10⁸ revolutions at 100% full rated shaft load

ENVIRONMENTAL

Operating Temperature: -40 to 85° C
Storage Temperature: -40 to 100° C
Enclosure Rating: IP64 or IP67
Shock: 1,000 m/s² (6 ms)
Vibration: 100 m/s² (10 to 2,000 Hz)

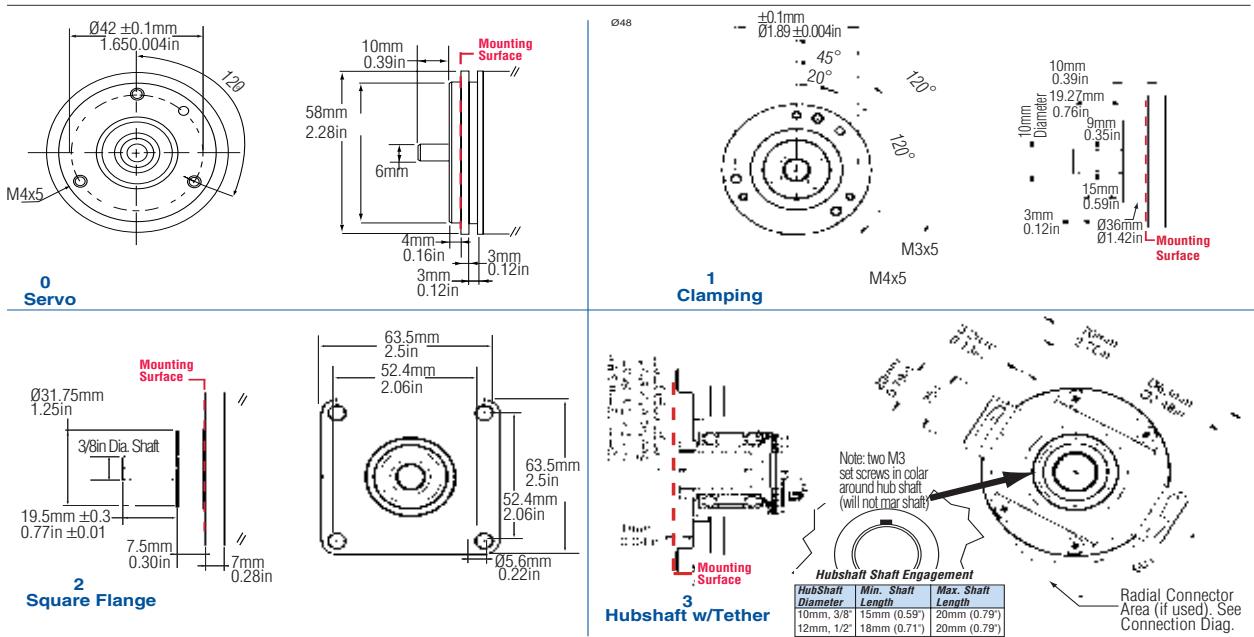
Ordering Information

To order, complete the model number with code numbers from the table below:

Code 1: Model	Code 2: Bits	Code 3: Mounting	Code 4: Shaft Size	Code 5: Protocol	Code 6: Electrical	Code 7: Connector
AI25	<input type="checkbox"/> <input type="checkbox"/> <input type="checkbox"/> <input type="checkbox"/>	<input type="checkbox"/>	<input type="checkbox"/>	<input type="checkbox"/>	<input type="checkbox"/>	<input type="checkbox"/>
AI25 Size25 Acuro Absolute Encoder	Single-Turn 0010 10 Bit 0012 12 Bit 0013 13 Bit 0014 14 Bit Multi-Turn 1212 12 Bit Multi-Turn, 12 Bit Single-Turn 1213 12 Bit Multi-Turn, 13 Bit Single-Turn 1214 12 Bit Multi-Turn, 14 Bit Single-Turn	Available when Code 4 is 0 or A 0 Servo* Available when Code 4 is 2 or C 1 Clamping* Available when Code 4 is 1 or B 2 Square flange** Available when Code 4 is 3, 4, 5 or 6 3 Hubshaft w/tether†	w/o shaft seal (IP64) 0 6 mm 1 3/8" 2 10 mm 3 3/8" Hub Shaft 4 12 mm Hubshaft 5 1/2" Hubshaft 6 10 mm Hub Shaft w/ shaft seal (IP67) A 6 mm B 3/8" C 10 mm	9 Devicenet	2 10-30 VDC	F Bus Cover 1 M12, 5-Pole Connector G Bus Cover 2 Strain Relief Exits and 1 M12, 5-Pole Connector (for Tico display). Internal T-coupler included L Bus Cover 2 Strain Relief Exits. Internal T-coupler included

DIMENSIONS

Code 3: Mounting



Code 7: Connector

