

Absolute encoders - bus interfaces

Solid shaft with clamping or synchro flange

Magnetic single- or multiturn encoders 12 bit ST / 18 bit MT, CANopen®

BMSV 58, BMMV 58 CANopen® - MAGRES



BMMV 58K CANopen® with clamping flange

Features

- Encoder single- or multiturn / CANopen®
- Magnetic sensing
- Resolution: singleturn 12 bit, multiturn 18 bit
- Integrated fieldbus interface
- High resistance to shock and vibrations
- Resolution and zero point programmable
- Clamping or synchro flange
- Several connector variants

Technical data - electrical ratings

Voltage supply	10...30 VDC
Consumption typ.	100 mA (24 VDC, w/o load)
Initializing time typ.	170 ms after power on
Interface	CANopen®
Profile conformity	CANopen® CiA DSP 301 4.01, DSP 305 V1.0, DSP 406 V3.0
Steps per turn	≤4096 / 12 bit
Absolute accuracy	±1 °
Sensing method	Magnetic
Code	Binary
Code sequence	CW default, programmable
Interference immunity	DIN EN 61000-6-2
Emitted interference	DIN EN 61000-6-3
Programmable parameters	Operating modes Total resolution Scaling Rotation speed monitoring
Diagnostic functions	Position or parameter error Multiturn sensing
Approval	UL approval / E217823

BMSV 58K, BMSV 58S

Function	Singleturn
----------	------------

BMMV 58K, BMMV 58S

Function	Multiturn
Number of turns	≤262144 / 18 bit

Technical data - mechanical design

Size (flange)	ø58 mm
Protection DIN EN 60529	IP 65
Operating speed	≤12000 rpm (mechanical) ≤6000 rpm (electric)
Operating torque typ.	0.023 Nm
Materials	Housing: aluminium Flange: aluminium
Operating temperature	-20...+85 °C
Relative humidity	95 %
Resistance	DIN EN 60068-2-6 Vibration 30 g, 10-2000 Hz DIN EN 60068-2-27 Shock 500 g, 6 ms
Weight approx.	300 g
Connection	Connector M12 Connector D-SUB, 9-pin Cable 2 m

BMSV 58K, BMMV 58K

Shaft type	ø10 mm solid shaft (clamping flange)
Flange	Clamping flange
Shaft loading	≤40 N axial ≤60 N radial

BMSV 58S, BMMV 58S

Shaft type	ø6 mm solid shaft (synchro flange)
Flange	Synchro flange
Shaft loading	≤10 N axial ≤20 N radial

Absolute encoders - bus interfaces

Solid shaft with clamping or synchro flange

Magnetic single- or multiturn encoders 12 bit ST / 18 bit MT, CANopen®

BMSV 58, BMMV 58 CANopen® - MAGRES

Part number

Singleturn clamping flange

BMSV 58K1N

24B	12/00	C0	
-----	-------	----	--

	<p><u>Connection</u></p> <p>5 Cable 2 m, radial M 2 x connector M12, radial N Connector M12, 5-pin, radial F Connector D-SUB, radial</p> <p><u>Solid shaft</u></p> <p>C0 ø10 mm, IP 65</p> <p><u>Resolution</u></p> <p>12/00 12 bit singleturn</p> <p><u>Voltage supply / signals</u></p> <p>24B 10...30 VDC / CANopen®</p>
--	--

Multiturn clamping flange

BMMV 58K1N

24B	12/18	C0	
-----	-------	----	--

	<p><u>Connection</u></p> <p>5 Cable 2 m, radial M 2 x connector M12, radial N Connector M12, 5-pin, radial F Connector D-SUB, radial</p> <p><u>Solid shaft</u></p> <p>C0 ø10 mm, IP 65</p> <p><u>Resolution</u></p> <p>12/18 12/18 bit single-/multiturn</p> <p><u>Voltage supply / signals</u></p> <p>24B 10...30 VDC / CANopen®</p>
--	--

Singleturn synchro flange

BMSV 58S1N

24B	12/00	C6	
-----	-------	----	--

	<p><u>Connection</u></p> <p>5 Cable 2 m, radial M 2 x connector M12, radial N Connector M12, 5-pin, radial F Connector D-SUB, radial</p> <p><u>Solid shaft</u></p> <p>C6 ø6 mm, IP 65</p> <p><u>Resolution</u></p> <p>12/00 12 bit singleturn</p> <p><u>Voltage supply / signals</u></p> <p>24B 10...30 VDC / CANopen®</p>
--	---

Multiturn synchro flange

BMMV 58S1N

24B	12/18	C6	
-----	-------	----	--

	<p><u>Connection</u></p> <p>5 Cable 2 m, radial M 2 x connector M12, radial N Connector M12, 5-pin, radial F Connector D-SUB, radial</p> <p><u>Solid shaft</u></p> <p>C6 ø6 mm, IP 65</p> <p><u>Resolution</u></p> <p>12/18 12/18 bit single-/multiturn</p> <p><u>Voltage supply / signals</u></p> <p>24B 10...30 VDC / CANopen®</p>
--	---

Absolute encoders - bus interfaces

Solid shaft with clamping or synchro flange

Magnetic single- or multiturn encoders 12 bit ST / 18 bit MT, CANopen®

BMSV 58, BMMV 58 CANopen® - MAGRES

CANopen® features	
Bus protocol	CANopen®
Device profile	CANopen® - CiA DSP 406, V 3.0 (Device Class 2, CAN 2.0B)
Operating modes	- Event-triggered / Time-triggered - Remotely-requested - Sync (cyclic) / Sync (acyclic)
Preset	Parameter for setting the encoder to a requested position value assigned to a defined shaft position of the system. The offset of encoder zero point and mechanical zero point is stored in the encoder.
Rotating direction	Parameter for defining the rotating direction in which there have to be ascending or descending position values. Default setting: Ascending position values when looking at the flange and rotating the shaft clockwise.
Scaling	Parameter defining the steps per turn as well as the total resolution.
Diagnosis	The encoder supports the following error warnings: - Position and parameter error - Lithium battery voltage (multiturn)
Node Monitoring	Heartbeat or Nodeguarding
Default	50 kbit/s, Node ID 1

Accessories	
Connectors and cables	
10153493	Female connector D-SUB, 9-pin, straight, voltage supply and I/Os without cable
10153968	Female connector M12, 5-pin, straight
11046264	Female connector M12, 5-pin, straight, shielded, 2 m
11046266	Female connector M12, 5-pin, straight, shielded, 5 m
10153969	Cable connector M12, 5-pin, CAN, straight
10158249	Cable with male/female M12, 5-pin, angled, A-coded, 2 m
10156842	Cable with male/female M12, 5-pin, angled, A-coded, 5 m
10159388	Cable with male/female M12, 5-pin, shielded, straight, A-coded, 0.3 m (stub line)
10161398	Cable with male/female M12, 5-pin, shielded, straight, A-coded, 2 m
10161399	Cable with male/female M12, 5-pin, shielded, straight, A-coded, 5 m
Mounting accessories for BMSV 58K, BMMV 58K	
10252773	Clamp set ø15 mm
11053277	Bellows coupling aluminium/stainless steel 10 mm
Mounting accessories for BMSV 58S, BMMV 58S	
10252773	Clamp set ø15 mm
Programming accessories	
10147362	CD-ROM with GSD-/EDS-/XML files and user manuals

Absolute encoders - bus interfaces

Solid shaft with clamping or synchro flange

Magnetic single- or multturn encoders 12 bit ST / 18 bit MT, CANopen®

BMSV 58, BMMV 58 CANopen® - MAGRES

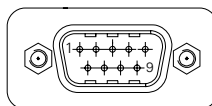
Terminal significance

+Vs	Encoder supply voltage.
0 V	Encoder ground connection relating to +Vs.
CAN_L	CAN bus signal (dominant Low).
CAN_H	CAN bus signal (dominant High).
CAN_GND	GND relating to CAN interface.

Terminal assignment

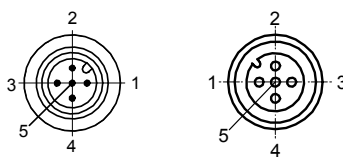
Cable / connector D-Sub male
for connection reference **-F** and **-5**

Conn.	Core colour	Signals	Description
Pin 1	blue	d.u.	do not use
Pin 2	yellow	CAN_L	Bus (dominant LOW)
Pin 3	grey	CAN_GND	CAN Ground
Pin 4	red	d.u.	do not use
Pin 5	pink	n.c.	–
Pin 6	white	0 V	Supply voltage
Pin 7	green	CAN_H	Bus (dominant HIGH)
Pin 8	–	n.c.	–
Pin 9	brown	+Vs	Supply voltage
Screen	connected to housing		
Cable data	8 x 0.14 mm ²		



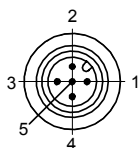
Connector (2 x M12) male/female
for connection reference **-M**

Conn.	Signals	Description
Pin 1	n.c.	–
Pin 2	+Vs	Supply voltage
Pin 3	CAN_GND	CAN Ground
Pin 4	CAN_H	Bus (dominant HIGH)
Pin 5	CAN_L	Bus (dominant LOW)



Connector M12 male
for connection reference **-N**

Conn.	Signals	Description
Pin 1	n.c.	–
Pin 2	+Vs	Supply voltage
Pin 3	CAN_GND	CAN Ground
Pin 4	CAN_H	Bus (dominant HIGH)
Pin 5	CAN_L	Bus (dominant LOW)



Absolute encoders - bus interfaces

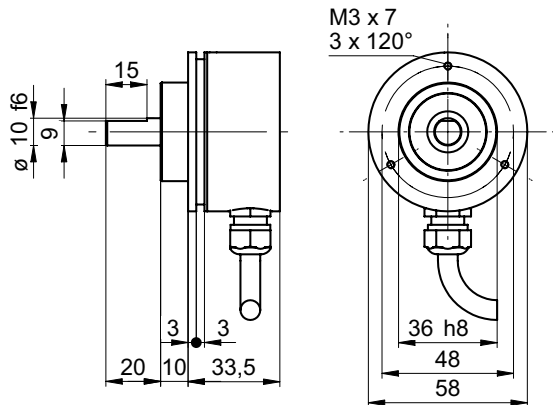
Solid shaft with clamping or synchro flange

Magnetic single- or multiturn encoders 12 bit ST / 18 bit MT, CANopen®

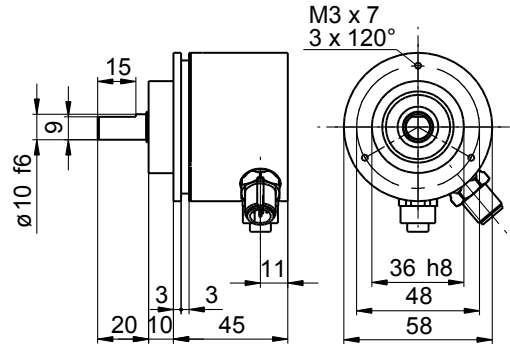
BMSV 58, BMMV 58 CANopen® - MAGRES

Dimensions

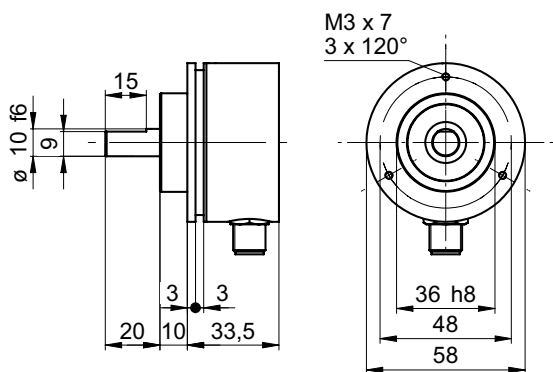
BMSV/BMMV 58 CANopen® clamping flange, cable



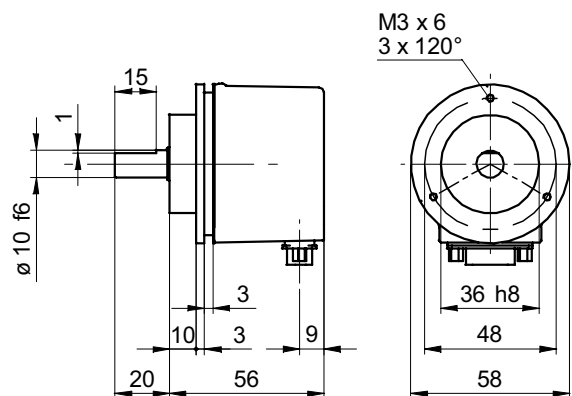
BMSV/BMMV 58 CANopen® clamping flange, 2 x M12



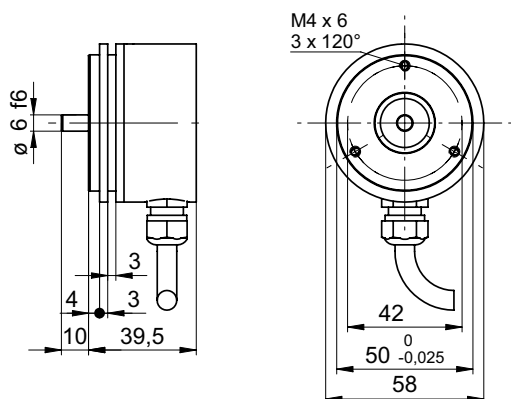
BMSV/BMMV 58 CANopen® clamping flange, 1 x M12



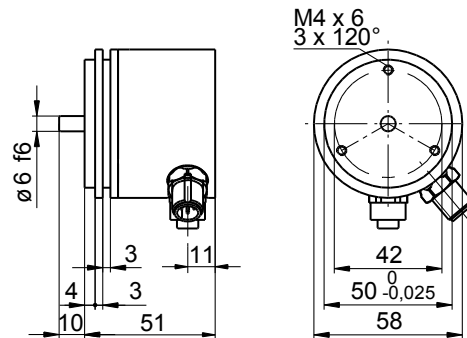
BMSV/BMMV 58 CANopen® clamping flange, D-SUB



BMSV/BMMV 58 CANopen® synchro flange, cable radial



BMSV/BMMV 58 CANopen® synchro flange, 2 x M12



Absolute encoders - bus interfaces

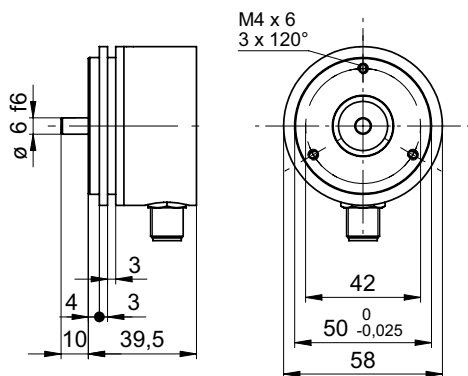
Solid shaft with clamping or synchro flange

Magnetic single- or multiturn encoders 12 bit ST / 18 bit MT, CANopen®

BMSV 58, BMMV 58 CANopen® - MAGRES

Dimensions

BMSV/BMMV 58 CANopen® synchro flange, 1 x M12



BMSV/BMMV 58 CANopen® synchro flange, D-SUB

