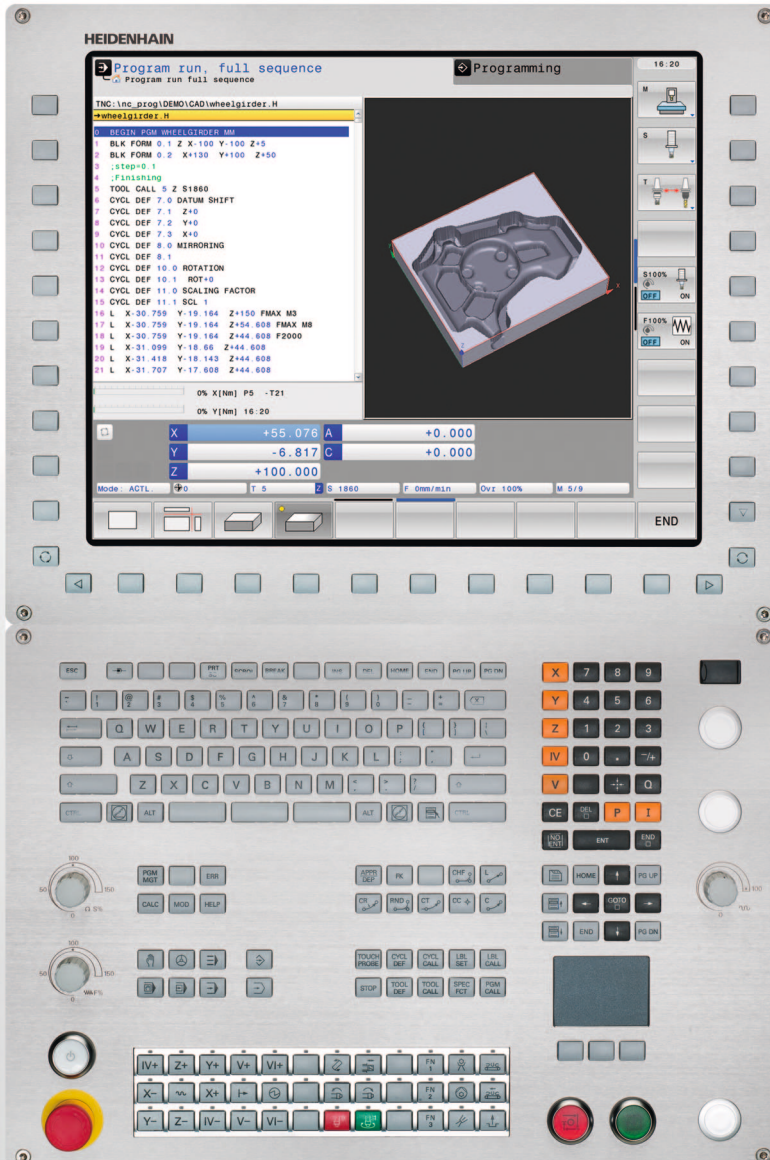




HEIDENHAIN



User's Manual
HEIDENHAIN
Conversational

TNC 640





NC Software
340 590-01
340 591-01
340 594-01

English (en)
4/2012





Controls of the TNC






Keys on visual display unit

Key	Function
	Split screen layout
	Toggle the display between machining and programming modes
	Soft keys for selecting functions on screen
	Switch the soft-key rows



Alphanumeric keyboard

Key	Function
	File names, comments
	DIN/ISO programming







Machine operating modes

Key	Function
	Manual Operation
	Electronic Handwheel
	Positioning with Manual Data Input
	Program Run, Single Block
	Program Run, Full Sequence



Programming modes

Key	Function
	Programming and Editing
	Test Run

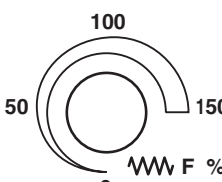
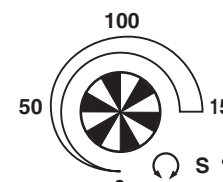
Program/file management, TNC functions

Key	Function
	Select or delete programs and files, external data transfer
	Define program call, select datum and point tables
	Select MOD functions
	Display help text for NC error messages, call TNCguide
	Display all current error messages
	Show calculator





Navigation keys

Key	Function
	Move highlight
	Go directly to blocks, cycles and parameter functions

Potentiometer for feed rate and spindle speed



Feed rate	Spindle speed
	

Cycles, subprograms and program section repeats










Key	Function
	Define touch probe cycles
	Define and call cycles
	Enter and call labels for subprogramming and program section repeats
	Enter program stop in a program







Tool functions

Key	Function
	Define tool data in the program
	Call tool data
















Programming path movements

Key	Function
	Approach/depart contour
	FK free contour programming
	Straight line
	Circle center/pole for polar coordinates
	Circle with center
	Circle with radius
	Circular arc with tangential connection
 	Chamfer/Corner rounding

Special functions

Key	Function
	Show special functions
	Select the next tab in forms
 	Up/down one dialog box or button

Coordinate axes and numbers: Entering and editing

Key	Function
 ... 	Select coordinate axes or enter them into the program
 ... 	Numbers
 	Decimal point / Reverse algebraic sign
 	Polar coordinate input / Incremental values
	Q parameter programming / Q parameter status
	Save actual position or values from calculator
	Skip dialog questions, delete words
	Confirm entry and resume dialog
	Conclude block and exit entry
	Clear numerical entry or TNC error message
	Abort dialog, delete program section





About this Manual

The symbols used in this manual are described below.



This symbol indicates that important notes about the function described must be regarded.



This symbol indicates that there is one or more of the following risks when using the described function:

- Danger to workpiece
- Danger to fixtures
- Danger to tool
- Danger to machine
- Danger to operator



This symbol indicates that the described function must be adapted by the machine tool builder. The function described may therefore vary depending on the machine.



This symbol indicates that you can find detailed information about a function in another manual.

Would you like any changes, or have you found any errors?

We are continuously striving to improve documentation for you. Please help us by sending your requests to the following e-mail address: tnc-userdoc@heidenhain.de.



TNC Model, Software and Features

This manual describes functions and features provided by TNCs as of the following NC software numbers.

TNC model	NC software number
TNC 640	340 590-01
TNC 640 E	340 591-01
TNC 640 Programming Station	340 594-01

The suffix E indicates the export version of the TNC. The export version of the TNC has the following limitations:

- Simultaneous linear movement in up to 4 axes

The machine tool builder adapts the usable features of the TNC to his machine by setting machine parameters. Some of the functions described in this manual may therefore not be among the features provided by the TNC on your machine tool.

TNC functions that may not be available on your machine include:

- Tool measurement with the TT

Please contact your machine tool builder to become familiar with the features of your machine.

Many machine manufacturers, as well as HEIDENHAIN, offer programming courses for the TNCs. We recommend these courses as an effective way of improving your programming skill and sharing information and ideas with other TNC users.



User's Manual for Cycle Programming:

All of the cycle functions (touch probe cycles and fixed cycles) are described in a separate manual. Please contact HEIDENHAIN if you need a copy of this User's Manual. ID: 892 905-xx

Software options

The TNC 640 features various software options that can be enabled by your machine tool builder. Each option is to be enabled separately and contains the following respective functions:

Software option 1 (option number #08)

Cylinder surface interpolation (Cycles 27, 28 and 29)

Feed rate in mm/min for rotary axes: **M116**

Tilting the machining plane (plane functions, Cycle 19 and 3D-ROT soft key in the Manual Operation mode)

Circle in 3 axes with tilted working plane

Software option 2 (option number #09)

5-axis interpolation

3-D machining:

- **M128:** Maintaining the position of the tool tip when positioning with tilted axes (TCPM)
- **FUNCTION TCPM:** Maintaining the position of the tool tip when positioning with tilted axes (TCPM) in selectable modes
- **M144:** Compensating the machine's kinematic configuration for ACTUAL/NOMINAL positions at end of block
- **LN** blocks (3-D compensation)

HEIDENHAIN DNC (option number #18)

Communication with external PC applications over COM component

Additional conversational language (option number #41)

Function for enabling the conversational languages Slovenian, Slovak, Norwegian, Latvian, Estonian, Korean, Turkish, Romanian, Lithuanian.

Display step (option number #23)

Input resolution and display step:

- Linear axes down to 0.01 μm
- Rotary axes to 0.00001°

Double speed (option number #49)

Double-speed control loops are used primarily for high-speed spindles as well as for linear motors and torque motors



KinematicsOpt software option (option number #48)

Touch-probe cycles for inspecting and optimizing the machine accuracy

Software option Mill-Turning (option number #50)

Functions for milling/turning mode:

- Switching between Milling/Turning mode of operation
 - Constant cutting speed
 - Tool-tip radius compensation
 - Turning cycles
-

Extended Tool Management software option (option number #93)

Tool management that can be changed by the machine manufacturer using Python scripts



Feature content level (upgrade functions)

Along with software options, significant further improvements of the TNC software are managed via the Feature Content Level (**FCL**) upgrade functions. Functions subject to the FCL are not available simply by updating the software on your TNC.



All upgrade functions are available to you without surcharge when you receive a new machine.

Upgrade functions are identified in the manual with **FCL n**, where **n** indicates the sequential number of the feature content level.

You can purchase a code number in order to permanently enable the FCL functions. For more information, contact your machine tool builder or HEIDENHAIN.

Intended place of operation

The TNC complies with the limits for a Class A device in accordance with the specifications in EN 55022, and is intended for use primarily in industrially-zoned areas.

Legal information

This product uses open source software. Further information is available on the control under

- ▶ Programming and Editing operating mode
- ▶ MOD function
- ▶ LICENSE INFO soft key





Contents

First Steps with the TNC 640	1
Introduction	2
Programming: Fundamentals, File Management	3
Programming: Programming Aids	4
Programming: Tools	5
Programming: Programming Contours	6
Programming: Subprograms and Program Section Repeats	7
Programming: Q Parameters	8
Programming: Miscellaneous Functions	9
Programming: Special Functions	10
Programming: Multiple Axis Machining	11
Programming: Pallet Editor	12
Programming: Turning Operations	13
Manual Operation and Setup	14
Positioning with Manual Data Input	15
Test Run and Program Run	16
MOD Functions	17
Tables and Overviews	18

1 First Steps with the TNC 640 35

- 1.1 Overview 36
- 1.2 Machine Switch-On 37
 - Acknowledging the power interruption and moving to the reference points 37
- 1.3 Programming the First Part 38
 - Selecting the correct operating mode 38
 - The most important TNC keys 38
 - Creating a new program/file management 39
 - Defining a workpiece blank 40
 - Program layout 41
 - Programming a simple contour 42
 - Creating a cycle program 45
- 1.4 Graphically Testing the First Program 48
 - Selecting the correct operating mode 48
 - Selecting the tool table for the test run 48
 - Choosing the program you want to test 49
 - Selecting the screen layout and the view 49
 - Starting the program test 49
- 1.5 Tool Setup 50
 - Selecting the correct operating mode 50
 - Preparing and measuring tools 50
 - The tool table TOOL.T 50
 - The pocket table TOOL_P.TCH 51
- 1.6 Workpiece Setup 52
 - Selecting the correct operating mode 52
 - Clamping the workpiece 52
 - Aligning the workpiece with a 3-D touch probe system 53
 - Datum setting with a 3-D touch probe 54
- 1.7 Running the First Program 55
 - Selecting the correct operating mode 55
 - Choosing the program you want to run 55
 - Starting the program 55



2 Introduction 57

- 2.1 The TNC 640 58
 - Programming: HEIDENHAIN conversational and ISO formats 58
 - Compatibility 58
- 2.2 Visual Display Unit and Keyboard 59
 - Visual display unit 59
 - Setting the screen layout 60
 - Operating panel 61
- 2.3 Operating Modes 62
 - Manual Operation and El. Handwheel 62
 - Positioning with Manual Data Input 62
 - Programming and Editing 63
 - Test Run 63
 - Program Run, Full Sequence and Program Run, Single Block 64
- 2.4 Status Displays 65
 - "General" status display 65
 - Additional status displays 67
- 2.5 Window Manager 74
 - Soft-key row 75
- 2.6 Accessories: HEIDENHAIN 3-D Touch Probes and Electronic Handwheels 76
 - 3-D touch probes 76
 - HR electronic handwheels 77



3 Programming: Fundamentals, File Management 79

- 3.1 Fundamentals 80
 - Position encoders and reference marks 80
 - Reference system 80
 - Reference system on milling machines 81
 - Designation of the axes on milling machines 81
 - Polar coordinates 82
 - Absolute and incremental workpiece positions 83
 - Setting the datum 84
- 3.2 Creating and Writing Programs 85
 - Organization of an NC program in HEIDENHAIN Conversational 85
 - Define the blank: BLK FORM 85
 - Creating a new part program 86
 - Programming tool movements in conversational format 88
 - Actual position capture 90
 - Editing a program 91
 - The TNC search function 95
- 3.3 File Management: Fundamentals 97
 - Files 97
 - Showing externally created files on the TNC 99
 - Data backup 99
- 3.4 Working with the File Manager 100
 - Directories 100
 - Paths 100
 - Overview: Functions of the file manager 101
 - Calling the file manager 102
 - Selecting drives, directories and files 103
 - Creating a new directory 105
 - Creating a new file 105
 - Copying a single file 106
 - Copying files into another directory 107
 - Copying a table 108
 - Copying a directory 108
 - Choosing one of the last files selected 109
 - Deleting a file 109
 - Deleting a directory 110
 - Marking files 111
 - Renaming a file 112
 - File sorting 112
 - Additional functions 113
 - Additional tools for management of external file types 114
 - Data transfer to or from an external data medium 119
 - The TNC in a network 121
 - USB devices on the TNC 122



4 Programming: Programming Aids 123

- 4.1 Adding Comments 124
 - Application 124
 - Entering comments during programming 124
 - Inserting comments after program entry 124
 - Entering a comment in a separate block 124
 - Functions for editing of the comment 125
- 4.2 Display of NC Programs 126
 - Syntax highlighting 126
 - Scrollbar 126
- 4.3 Structuring Programs 127
 - Definition and applications 127
 - Displaying the program structure window / Changing the active window 127
 - Inserting a structuring block in the (left) program window 127
 - Selecting blocks in the program structure window 127
- 4.4 On-Line Calculator 128
 - Operation 128
- 4.5 Programming Graphics 130
 - Generating / not generating graphics during programming 130
 - Generating a graphic for an existing program 130
 - Block number display ON/OFF 131
 - Erasing the graphic 131
 - Showing grid lines 131
 - Magnifying or reducing a detail 131
- 4.6 Error Messages 132
 - Display of errors 132
 - Open the error window 132
 - Closing the error window 132
 - Detailed error messages 133
 - INTERNAL INFO soft key 133
 - Clearing errors 134
 - Error log 134
 - Keystroke log 135
 - Informational texts 136
 - Saving service files 136
 - Calling the TNCguide help system 136
- 4.7 Context-Sensitive Help System 137
 - Application 137
 - Working with the TNCguide 138
 - Downloading current help files 142



5 Programming: Tools 145

- 5.1 Entering Tool-Related Data 146
 - Feed rate F 146
 - Spindle speed S 147
- 5.2 Tool Data 148
 - Requirements for tool compensation 148
 - Tool numbers and tool names 148
 - Tool length L 148
 - Tool radius R 148
 - Delta values for lengths and radii 149
 - Entering tool data into the program 149
 - Entering tool data in the table 150
 - Pocket table for tool changer 157
 - Calling tool data 160
 - Tool change 161
 - Tool management (software option) 166
- 5.3 Tool Compensation 173
 - Introduction 173
 - Tool length compensation 173
 - Tool radius compensation 174



6 Programming: Programming Contours 177

- 6.1 Tool Movements 178
 - Path functions 178
 - FK free contour programming 178
 - Miscellaneous functions M 178
 - Subprograms and program section repeats 178
 - Programming with Q parameters 178
- 6.2 Fundamentals of Path Functions 179
 - Programming tool movements for workpiece machining 179
- 6.3 Contour Approach and Departure 183
 - Overview: Types of paths for contour approach and departure 183
 - Important positions for approach and departure 184
 - Approaching on a straight line with tangential connection: APPR LT 186
 - Approaching on a straight line perpendicular to the first contour point: APPR LN 186
 - Approaching on a circular path with tangential connection: APPR CT 187
 - Approaching on a circular arc with tangential connection from a straight line to the contour: APPR LCT 188
 - Departing on a straight line with tangential connection: DEP LT 189
 - Departing on a straight line perpendicular to the last contour point: DEP LN 189
 - Departing on a circular path with tangential connection: DEP CT 190
 - Departing on a circular arc tangentially connecting the contour and a straight line: DEP LCT 190
- 6.4 Path Contours—Cartesian Coordinates 191
 - Overview of path functions 191
 - Straight line L 192
 - Inserting a chamfer between two straight lines 193
 - Corner rounding RND 194
 - Circle center CCI 195
 - Circular path C around circle center CC 196
 - Circular path CR with defined radius 197
 - Circular path CT with tangential connection 199
- 6.5 Path Contours—Polar Coordinates 204
 - Overview 204
 - Zero point for polar coordinates: pole CC 205
 - Straight line LP 205
 - Circular path CP around pole CC 206
 - Circular path CTP with tangential connection 207
 - Helical interpolation 208



6.6 Path Contours—FK Free Contour Programming	212
Fundamentals	212
Graphics during FK programming	214
Initiating the FK dialog	215
Pole for FK programming	216
Free programming of straight lines	216
Free programming of circular arcs	217
Input possibilities	218
Auxiliary points	222
Relative data	223



7 Programming: Subprograms and Program Section Repeats 231

- 7.1 Labeling Subprograms and Program Section Repeats 232
 - Labels 232
- 7.2 Subprograms 233
 - Operating sequence 233
 - Programming notes 233
 - Programming a subprogram 233
 - Calling a subprogram 233
- 7.3 Program Section Repeats 234
 - Label LBL 234
 - Operating sequence 234
 - Programming notes 234
 - Programming a program section repeat 234
 - Calling a program section repeat 234
- 7.4 Separate Program as Subprogram 235
 - Operating sequence 235
 - Programming notes 235
 - Calling any program as a subprogram 236
- 7.5 Nesting 237
 - Types of nesting 237
 - Nesting depth 237
 - Subprogram within a subprogram 238
 - Repeating program section repeats 239
 - Repeating a subprogram 240
- 7.6 Programming Examples 241



8 Programming: Q Parameters 247

- 8.1 Principle and Overview 248
 - Programming notes 249
 - Calling Q-parameter functions 250
- 8.2 Part Families—Q Parameters in Place of Numerical Values 251
 - Application 251
- 8.3 Describing Contours through Mathematical Operations 252
 - Application 252
 - Overview 252
 - Programming fundamental operations 253
- 8.4 Trigonometric Functions 254
 - Definitions 254
 - Programming trigonometric functions 255
- 8.5 Circle Calculations 256
 - Application 256
- 8.6 If-Then Decisions with Q Parameters 257
 - Application 257
 - Unconditional jumps 257
 - Programming If-Then decisions 257
 - Abbreviations used: 258
- 8.7 Checking and Changing Q Parameters 259
 - Procedure 259
- 8.8 Additional Functions 261
 - Overview 261
 - FN 14: ERROR: Displaying error messages 262
 - FN 16: F-PRINT: Formatted output of text and Q-parameter values 267
 - FN 18: SYS-DATUM READ 271
 - FN 19: PLC: Transfer values to the PLC 280
 - FN 20: WAIT FOR: NC and PLC synchronization 280
 - FN 29: PLC: Transfer values to the PLC 282
 - FN37: EXPORT 283
- 8.9 Accessing Tables with SQL Commands 284
 - Introduction 284
 - A Transaction 285
 - Programming SQL commands 287
 - Overview of the soft keys 287
 - SQL BIND 288
 - SQL SELECT 289
 - SQL FETCH 292
 - SQL UPDATE 293
 - SQL INSERT 293
 - SQL COMMIT 294
 - SQL ROLLBACK 294



8.10 Entering Formulas Directly	295
Entering formulas	295
Rules for formulas	297
Programming example	298
8.11 String Parameters	299
String processing functions	299
Assigning string parameters	300
Chain-linking string parameters	301
Converting a numerical value to a string parameter	302
Copying a substring from a string parameter	303
Converting a string parameter to a numerical value	304
Checking a string parameter	305
Finding the length of a string parameter	306
Comparing alphabetic priority	307
Reading machine parameters	308
8.12 Preassigned Q Parameters	311
Values from the PLC: Q100 to Q107	311
Active tool radius: Q108	311
Tool axis: Q109	312
Spindle status: Q110	312
Coolant on/off: Q111	312
Overlap factor: Q112	312
Unit of measurement for dimensions in the program: Q113	313
Tool length: Q114	313
Coordinates after probing during program run	313
Deviation between actual value and nominal value during automatic tool measurement with the TT 130	314
Tilting the working plane with mathematical angles: rotary axis coordinates calculated by the TNC	314
Measurement results from touch probe cycles (see also User's Manual for Touch Probe Cycles)	315
8.13 Programming Examples	317



9 Programming: Miscellaneous Functions 325

- 9.1 Entering Miscellaneous Functions M and STOP 326
 - Fundamentals 326
- 9.2 Miscellaneous Functions for Program Run Control, Spindle and Coolant 327
 - Overview 327
- 9.3 Miscellaneous Functions for Coordinate Data 328
 - Programming machine-referenced coordinates: M91/M92 328
 - Moving to positions in a non-tilted coordinate system with a tilted working plane: M130 330
- 9.4 Miscellaneous Functions for Contouring Behavior 331
 - Machining small contour steps: M97 331
 - Machining open contour corners: M98 333
 - Feed rate factor for plunging movements: M103 334
 - Feed rate in millimeters per spindle revolution: M136 335
 - Feed rate for circular arcs: M109/M110/M111 336
 - Calculating the radius-compensated path in advance (LOOK AHEAD): M120 337
 - Superimposing handwheel positioning during program run: M118 339
 - Retraction from the contour in the tool-axis direction: M140 340
 - Suppressing touch probe monitoring: M141 341
 - Delete basic rotation: M143 341
 - Automatically retract tool from the contour at an NC stop: M148 342



10 Programming: Special Functions 343

- 10.1 Overview of Special Functions 344
 - Main menu for SPEC FCT special functions 344
 - Program defaults menu 345
 - Functions for contour and point machining menu 345
 - Menu of various conversational functions 346
- 10.2 Working with the Parallel Axes U, V and W 347
 - Overview 347
 - FUNCTION PARAXCOMP DISPLAY 348
 - FUNCTION PARAXCOMP MOVE 349
 - FUNCTION PARAXCOMP OFF 350
 - FUNCTION PARAXMODE 351
 - FUNCTION PARAXMODE OFF 352
- 10.3 File Functions 353
 - Application 353
 - Defining file functions 353
- 10.4 Defining Coordinate Transformations 354
 - Overview 354
 - TRANS DATUM AXIS 354
 - TRANS DATUM TABLE 355
 - TRANS DATUM RESET 355
- 10.5 Creating Text Files 356
 - Application 356
 - Opening and exiting text files 356
 - Editing texts 357
 - Deleting and re-inserting characters, words and lines 358
 - Editing text blocks 359
 - Finding text sections 360



11 Programming: Multiple Axis Machining 361

- 11.1 Functions for Multiple Axis Machining 362
- 11.2 The PLANE Function: Tilting the Working Plane (Software Option 1) 363
 - Introduction 363
 - Define the PLANE function 365
 - Position display 365
 - Reset the PLANE function 366
 - Defining the machining plane with spatial angles: PLANE SPATIAL 367
 - Defining the machining plane with projection angles: PROJECTED PLANE 369
 - Defining the machining plane with Euler angles: EULER PLANE 371
 - Defining the working plane with two vectors: VECTOR PLANE 373
 - Defining the working plane via three points: PLANE POINTS 375
 - Defining the machining plane with a single, incremental spatial angle: PLANE RELATIVE 377
 - Tilting the working plane through axis angle: PLANE AXIAL (FCL 3 function) 378
 - Specifying the positioning behavior of the PLANE function 380
- 11.3 Inclined-Tool Machining in a Tilted Plane (Software Option 2) 385
 - Function 385
 - Inclined-tool machining via incremental traverse of a rotary axis 385
 - Inclined-tool machining via normal vectors 386
- 11.4 Miscellaneous Functions for Rotary Axes 387
 - Feed rate in mm/min on rotary axes A, B, C: M116 (software option 1) 387
 - Shorter-path traverse of rotary axes: M126 388
 - Reducing display of a rotary axis to a value less than 360°: M94 389
 - Maintaining the position of the tool tip when positioning with tilted axes (TCPM): M128 (software option 2) 390
 - Selecting tilting axes: M138 392
 - Compensating the machine's kinematics configuration for ACTUAL/NOMINAL positions at end of block: M144 (software option 2) 393
- 11.5 TCPM FUNCTION (Software Option 2) 394
 - Function 394
 - Defining the TCPM FUNCTION 395
 - Mode of action of the programmed feed rate 395
 - Interpretation of the programmed rotary axis coordinates 396
 - Type of interpolation between the starting and end position 397
 - Resetting the TCPM FUNCTION 398
- 11.6 Three-Dimensional Tool Compensation (Software Option 2) 399
 - Introduction 399
 - Definition of a normalized vector 400
 - Permissible tool shapes 401
 - Using other tools: Delta values 401
 - 3-D compensation without TCPM 402
 - Face milling: 3-D compensation with TCPM 402
 - Peripheral milling: 3-D radius compensation with TCPM and radius compensation (RL/RR) 404



12 Programming: Pallet Editor 407

- 12.1 Pallet Editor 408
 - Application 408
 - Selecting a pallet table 410
 - Exiting the pallet file 410
 - Executing the pallet file 411



13 Programming: Turning Operations 413

- 13.1 Turning Operations on Milling Machines (Software Option 50) 414
 - Introduction 414
- 13.2 Basis Functions (Software Option 50) 415
 - Switching between milling/turning mode of operation 415
 - Graphical display of turning operations 417
 - Programming the speed 418
 - Feed rate 419
 - Tool call 420
 - Tool compensation in the program 420
 - Tool data 421
 - Tool tip radius compensation TRC 423
 - Recessing and undercutting 424
 - Inclined turning 431
- 13.3 Unbalance Functions 433
 - Unbalance while turning 433
 - Measure Unbalance cycle 435



14 Manual Operation and Setup 437

- 14.1 Switch-On, Switch-Off 438
 - Switch-on 438
 - Switch-off 440
- 14.2 Moving the Machine Axes 441
 - Note 441
 - Moving the axis using the machine axis direction buttons 441
 - Incremental jog positioning 442
 - Traversing with the HR 410 electronic handwheel 443
- 14.3 Spindle Speed S, Feed Rate F and Miscellaneous Functions M 444
 - Application 444
 - Entering values 444
 - Changing the spindle speed and feed rate 445
 - Activating feed-rate limitation 446
- 14.4 Datum Setting without a 3-D Touch Probe 447
 - Note 447
 - Preparation 447
 - Workpiece presetting with axis keys 448
 - Datum management with the preset table 449
- 14.5 Using the 3-D Touch Probe 455
 - Overview 455
 - Selecting touch probe cycles 455
 - Writing the measured values from touch probe cycles in datum tables 456
 - Writing the measured values from touch probe cycles in the preset table 456
- 14.6 Calibrating a 3-D Touch Probe 457
 - Introduction 457
 - Calibrating the effective length 458
 - Calibrating the effective radius and compensating center misalignment 459
 - Displaying calibration values 460
- 14.7 Compensating Workpiece Misalignment with a 3-D Touch Probe 461
 - Introduction 461
 - Measuring a basic rotation 462
 - Saving a basic rotation in the preset table 462
 - Displaying a basic rotation 462
 - Canceling a basic rotation 462



14.8 Datum Setting with a 3-D Touch Probe	463
Overview	463
Datum setting in any axis	463
Corner as datum	464
Circle center as datum	465
Measuring workpieces with a 3-D touch probe	466
Using touch probe functions with mechanical probes or dial gauges	469
14.9 Tilting the Working Plane (Software Option 1)	470
Application, function	470
Traversing reference points in tilted axes	472
Position display in a tilted system	472
Limitations on working with the tilting function	472
Activating manual tilting	473
Setting the current tool-axis direction as the active machining direction	474
Setting the datum in a tilted coordinate system	475



15 Positioning with Manual Data Input 477

- 15.1 Programming and Executing Simple Machining Operations 478
 - Positioning with Manual Data Input (MDI) 478
 - Protecting and erasing programs in \$MDI 481



16 Test Run and Program Run 483

- 16.1 Graphics 484
 - Application 484
 - Setting the speed of the test run 485
 - Overview of display modes 486
 - Plan view 486
 - Projection in 3 planes 487
 - 3-D view 488
 - Magnifying details 490
 - Repeating graphic simulation 491
 - Displaying the tool 491
 - Measuring the machining time 492
 - 3-D line graphics 493
- 16.2 Showing the Blank in the Working Space 495
 - Application 495
- 16.3 Functions for Program Display 496
 - Overview 496
- 16.4 Test Run 497
 - Application 497
- 16.5 Program run 499
 - Application 499
 - Running a part program 500
 - Interrupting machining 501
 - Moving the machine axes during an interruption 502
 - Resuming program run after an interruption 503
 - Mid-program startup (block scan) 504
 - Returning to the contour 506
- 16.6 Automatic Program Start 507
 - Application 507
- 16.7 Optional block skip 508
 - Application 508
 - Inserting the "/" character 508
 - Erasing the "/" character 508
- 16.8 Optional Program-Run Interruption 509
 - Application 509



17 MOD Functions 511

- 17.1 Selecting MOD Functions 512
 - Selecting the MOD functions 512
 - Changing the settings 512
 - Exiting the MOD functions 512
 - Overview of MOD functions 513
- 17.2 Software Numbers 514
 - Application 514
- 17.3 Entering Code Numbers 515
 - Application 515
- 17.4 Setting the Data Interfaces 516
 - Serial interfaces on the TNC 640 516
 - Application 516
 - Setting the RS-232 interface 516
 - Setting the baud rate (baudRate) 516
 - Setting the protocol (protocol) 516
 - Setting the data bits (dataBits) 517
 - Parity check (parity) 517
 - Setting the stop bits (stopBits) 517
 - Setting the handshake (flowControl) 517
 - Settings for data transfer with the TNCserver PC software 518
 - Setting the operating mode of the external device (fileSystem) 518
 - Software for data transfer 519
- 17.5 Ethernet Interface 521
 - Introduction 521
 - Connection possibilities 521
 - Configuring the TNC 522
- 17.6 Position Display Types 528
 - Application 528
- 17.7 Unit of Measurement 529
 - Application 529
- 17.8 Displaying Operating Times 530
 - Application 530



18 Tables and Overviews 531

- 18.1 Machine-Specific User Parameters 532
 - Application 532
- 18.2 Pin Layouts and Connecting Cables for the Data Interfaces 540
 - RS-232-C/V.24 interface for HEIDENHAIN devices 540
 - Non-HEIDENHAIN devices 541
 - Ethernet interface RJ45 socket 541
- 18.3 Technical Information 542
- 18.4 Exchanging the Buffer Battery 549







1

**First Steps with the
TNC 640**



1.1 Overview

This chapter is intended to help TNC beginners quickly learn to handle the most important procedures. For more information on a respective topic, see the section referred to in the text.

The following topics are included in this chapter:

- Machine Switch-On
- Programming the First Part
- Graphically Testing the First Program
- Tool Setup
- Workpiece Setup
- Running the First Program



1.2 Machine Switch-On

Acknowledging the power interruption and moving to the reference points



Switch-on and crossing the reference points can vary depending on the machine tool. Your machine manual provides more detailed information.

- ▶ Switch on the power supply for control and machine. The TNC starts the operating system. This process may take several minutes. Then the TNC will display the message "Power interruption."

CE

- ▶ Press the CE key: The TNC compiles the PLC program

I

- ▶ Switch on the control voltage: The TNC checks operation of the emergency stop circuit and goes into the reference run mode

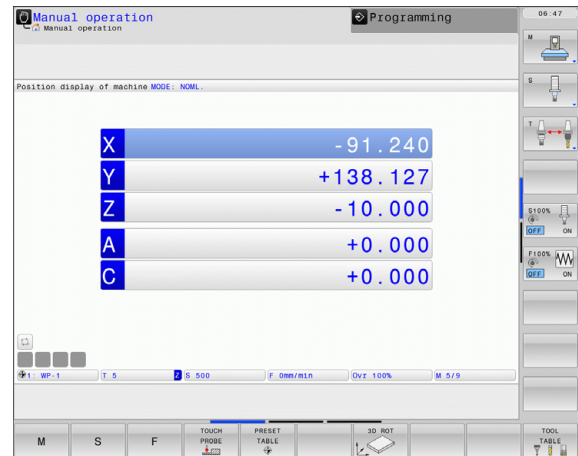
I

- ▶ Cross the reference points manually in the displayed sequence: For each axis press the machine START button. If you have absolute linear and angle encoders on your machine there is no need for a reference run

The TNC is now ready for operation in the **Manual Operation** mode.

Further information on this topic

- Traversing the reference marks: See "Switch-on" on page 438
- Operating modes: See "Programming and Editing" on page 63



1.3 Programming the First Part

Selecting the correct operating mode

You can write programs only in the Programming and Editing mode:








- ▶ Press the operating modes key: The TNC goes into the **Programming and Editing** mode

Further information on this topic

- Operating modes: See "Programming and Editing" on page 63

The most important TNC keys

Functions for conversational guidance	Key
Confirm entry and activate the next dialog prompt	
Ignore the dialog question	
End the dialog immediately	
Abort dialog, discard entries	
Soft keys on the screen with which you select functions appropriate to the active state	

Further information on this topic

- Writing and editing programs: See "Editing a program" on page 91
- Overview of keys: See "Controls of the TNC" on page 2



Creating a new program/file management

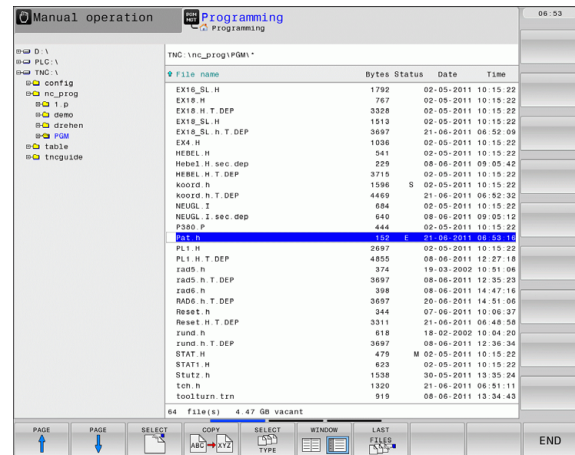
PGM
MGT

- ▶ Press the PGM MGT key: The TNC displays the file management. The file management of the TNC is arranged much like the file management on a PC with the Windows Explorer. The file management enables you to manipulate data on the TNC hard disk
- ▶ Use the arrow keys to select the folder in which you want to open the new file
- ▶ Enter a file name with the extension **.H**: The TNC then automatically opens a program and asks for the unit of measure for the new program
- ▶ To select the unit of measure, press the MM or INCH soft key: The TNC automatically starts the workpiece blank definition (see "Defining a workpiece blank" on page 40)

The TNC automatically generates the first and last blocks of the program. Afterwards you can no longer change these blocks.

Further information on this topic

- File management: See "Working with the File Manager" on page 100
- Creating a new program: See "Creating and Writing Programs" on page 85



Defining a workpiece blank

Immediately after you have created a new program, the TNC starts the dialog for entering the workpiece blank definition. Always define the workpiece blank as a cuboid by entering the MIN and MAX points, each with reference to the selected reference point.

After you have created a new program, the TNC automatically initiates the workpiece blank definition and asks for the required data:

- ▶ **Working plane in graphic: XY?**: Enter the active spindle axis. Z is saved as default setting. Accept with the ENT key
- ▶ **Workpiece blank def.: Minimum X**: Enter the smallest X coordinate of the workpiece blank with respect to the reference point, e.g. 0. Confirm with the ENT key
- ▶ **Workpiece blank def.: Minimum Y**: Enter the smallest Y coordinate of the workpiece blank with respect to the reference point, e.g. 0. Confirm with the ENT key
- ▶ **Workpiece blank def.: Minimum Z**: Enter the smallest Z coordinate of the workpiece blank with respect to the reference point, e.g. -40. Confirm with the ENT key
- ▶ **Workpiece blank def.: Maximum X**: Enter the largest X coordinate of the workpiece blank with respect to the reference point, e.g. 100. Confirm with the ENT key
- ▶ **Workpiece blank def.: Maximum Y**: Enter the largest Y coordinate of the workpiece blank with respect to the reference point, e.g. 100. Confirm with the ENT key
- ▶ **Workpiece blank def.: Maximum Z**: Enter the largest Z coordinate of the workpiece blank with respect to the reference point, e.g. 0. Confirm with the ENT key. The TNC concludes the dialog

Example NC blocks

```
0 BEGIN PGM NEW MM
```

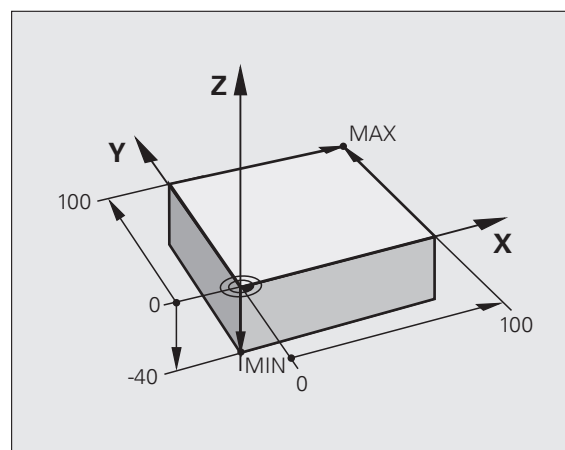
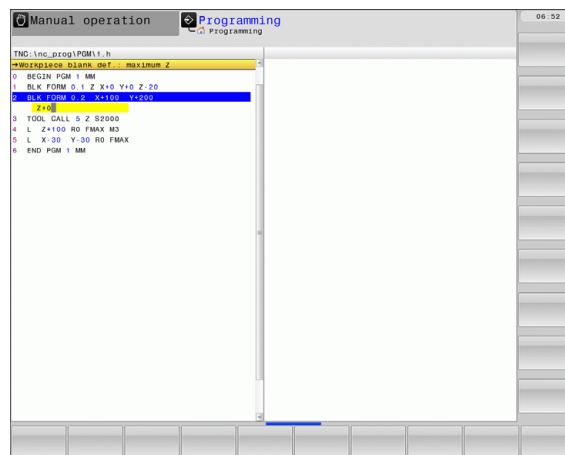
```
1 BLK FORM 0.1 Z X+0 Y+0 Z-40
```

```
2 BLK FORM 0.2 X+100 Y+100 Z+0
```

```
3 END PGM NEW MM
```

Further information on this topic

- Defining the workpiece blank: (see page 86)



Program layout

NC programs should be arranged consistently in a similar manner. This makes it easier to find your place, accelerates programming and reduces errors.

Recommended program layout for simple, conventional contour machining

- 1 Call tool, define tool axis
- 2 Retract the tool
- 3 Pre-position the tool in the working plane near the contour starting point
- 4 In the tool axis, position the tool above the workpiece, or pre-position immediately to workpiece depth. If required, switch on the spindle/coolant
- 5 Move to the contour
- 6 Machine the contour
- 7 Leave the contour
- 8 Retract the tool, end the program

Further information on this topic:

- Contour programming: See "Tool Movements" on page 178

Recommended program layout for simple cycle programs

- 1 Call tool, define tool axis
- 2 Retract the tool
- 3 Define the machining positions
- 4 Define the fixed cycle
- 5 Call the cycle, switch on the spindle/coolant
- 6 Retract the tool, end the program

Further information on this topic:

- Cycle programming: See User's Manual for Cycles

Example: Layout of contour machining programs

```

0 BEGIN PGM BSPCONT MM
1 BLK FORM 0.1 Z X... Y... Z...
2 BLK FORM 0.2 X... Y... Z...
3 TOOL CALL 5 Z S5000
4 L Z+250 R0 FMAX
5 L X... Y... R0 FMAX
6 L Z+10 R0 F3000 M13
7 APPR ... RL F500
...
16 DEP ... X... Y... F3000 M9
17 L Z+250 R0 FMAX M2
18 END PGM BSPCONT MM

```

Example: Program layout for cycle programming

```

0 BEGIN PGM BSBCYC MM
1 BLK FORM 0.1 Z X... Y... Z...
2 BLK FORM 0.2 X... Y... Z...
3 TOOL CALL 5 Z S5000
4 L Z+250 R0 FMAX
5 PATTERN DEF POS1( X... Y... Z... ) ...
6 CYCL DEF...
7 CYCL CALL PAT FMAX M13
8 L Z+250 R0 FMAX M2
9 END PGM BSBCYC MM

```



Programming a simple contour

The contour shown to the right is to be milled once to a depth of 5 mm. You have already defined the workpiece blank. After you have initiated a dialog through a function key, enter all the data requested by the TNC in the screen header.



- ▶ Call the tool: Enter the tool data. Confirm each of your entries with the ENT key. Do not forget the tool axis



- ▶ Retract the tool: Press the orange axis key Z in order to get clear in the tool axis, and enter the value for the position to be approached, e.g. 250. Confirm with the ENT key

- ▶ Confirm **Radius comp.: RL/RR/no comp?** by pressing the ENT key: Do not activate the radius compensation

- ▶ Confirm **Feed rate F=?** with the ENT key: Move at rapid traverse (**FMAX**)

- ▶ Confirm the **Miscellaneous function M?** with the END key: The TNC saves the entered positioning block



- ▶ Preposition the tool in the working plane: Press the orange X axis key and enter the value for the position to be approached, e.g. -20

- ▶ Press the orange Y axis key and enter the value for the position to be approached, e.g. -20. Confirm with the ENT key

- ▶ Confirm **Radius comp.: RL/RR/no comp?** by pressing the ENT key: Do not activate the radius compensation

- ▶ Confirm **Feed rate F=?** with the ENT key: Move at rapid traverse (**FMAX**)

- ▶ Confirm the **Miscellaneous function M?** with the END key: The TNC saves the entered positioning block

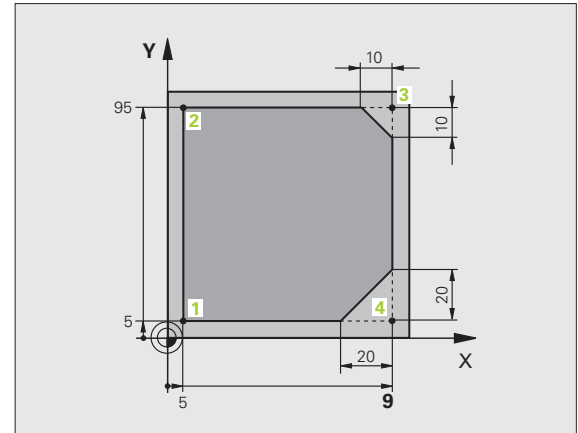


- ▶ Move the tool to workpiece depth: Press the orange axis key and enter the value for the position to be approached, e.g. -5. Confirm with the ENT key

- ▶ Confirm **Radius comp.: RL/RR/no comp?** by pressing the ENT key: Do not activate the radius compensation

- ▶ **Feed rate F=?** Enter the positioning feed rate, e.g. 3000 mm/min and confirm with the ENT key

- ▶ **Miscellaneous function M?** Switch on the spindle and coolant, e.g. **M13**. Confirm with the END key: The TNC saves the entered positioning block





▶ Move to the contour: Press the APPR/DEP key: The TNC shows a soft-key row with approach and departure functions



▶ Select the approach function **APPR CT**: Enter the coordinates of the contour starting point **1** in X and Y, e.g. 5/5. Confirm with the ENT key

▶ **Center angle?** Enter the approach angle, e.g. 90°, and confirm with the ENT key

▶ **Circle radius?** Enter the approach radius, e.g. 8 mm, and confirm with the ENT key

▶ Confirm the **Radius comp.: RL/RR/no comp?** with the RL soft key: Activate the radius compensation to the left of the programmed contour

▶ **Feed rate F=?** Enter the machining feed rate, e.g. 700 mm/min, and confirm your entry with the END key



▶ Machine the contour and move to contour point **2**: You only need to enter the information that changes. In other words, enter only the Y coordinate 95 and save your entry with the END key



▶ Move to contour point **3**: Enter the X coordinate 95 and save your entry with the END key



▶ Define the chamfer at contour point **3**: Enter the chamfer width 10 mm and save with the END key



▶ Move to contour point **4**: Enter the Y coordinate 5 and save your entry with the END key



▶ Define the chamfer at contour point **4**: Enter the chamfer width 20 mm and save with the END key



▶ Move to contour point **1**: Enter the X coordinate 5 and save your entry with the END key



APPR
DEP



- ▶ Depart the contour
- ▶ Select the departure function DEP CT
- ▶ **Center angle?** Enter the departure angle, e.g. 90°, and confirm with the ENT key
- ▶ **Circle radius?** Enter the departure radius, e.g. 8 mm, and confirm with the ENT key
- ▶ **Feed rate F=?** Enter the positioning feed rate, e.g. 3000 mm/min and save it with the ENT key
- ▶ **Miscellaneous function M?** Switch off the coolant, e.g. **M9**, with the END key: The TNC saves the entered positioning block
- ▶ Retract the tool: Press the orange axis key Z in order to get clear in the tool axis, and enter the value for the position to be approached, e.g. 250. Confirm with the ENT key
- ▶ Confirm **Radius comp.: RL/RR/no comp?** by pressing the ENT key: Do not activate the radius compensation
- ▶ Confirm **Feed rate F=?** with the ENT key: Move at rapid traverse (**FMAX**)
- ▶ **Miscellaneous function M?** Enter **M2** to end the program and confirm with the END key: The TNC saves the entered positioning block



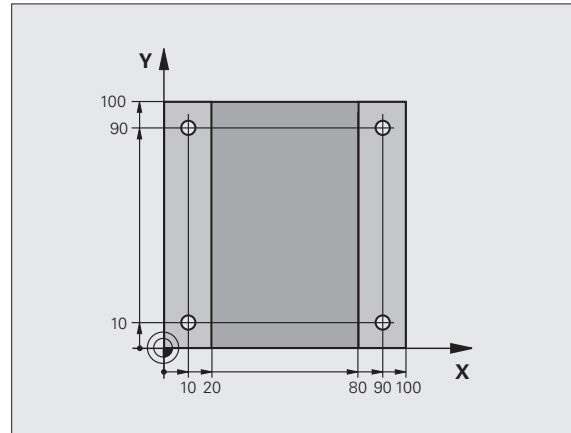
Further information on this topic

- **Complete example with NC blocks:** See "Example: Linear movements and chamfers with Cartesian coordinates" on page 200
- Creating a new program: See "Creating and Writing Programs" on page 85
- Approaching/departing contours: See "Contour Approach and Departure" on page 183
- Programming contours: See "Overview of path functions" on page 191
- Programmable feed rates: See "Possible feed rate input" on page 89
- Tool radius compensation: See "Tool radius compensation" on page 174
- Miscellaneous functions (M): See "Miscellaneous Functions for Program Run Control, Spindle and Coolant" on page 327



Creating a cycle program

The holes (depth of 20 mm) shown in the figure at right are to be drilled with a standard drilling cycle. You have already defined the workpiece blank.



► Call the tool: Enter the tool data. Confirm each of your entries with the ENT key. Do not forget the tool axis



► Retract the tool: Press the orange axis key Z in order to get clear in the tool axis, and enter the value for the position to be approached, e.g. 250. Confirm with the ENT key

► Confirm **Radius comp.: RL/RR/no comp?** by pressing the ENT key: Do not activate the radius compensation

► Confirm **Feed rate F=?** with the ENT key: Move at rapid traverse (**FMAX**)

► Confirm the **Miscellaneous function M?** with the END key: The TNC saves the entered positioning block



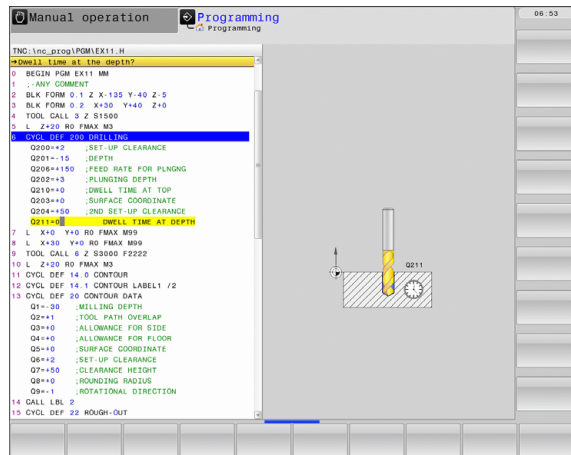
► Call the cycle menu



► Display the drilling cycles



► Select the standard drilling cycle 200: The TNC starts the dialog for cycle definition. Enter all parameters requested by the TNC step by step and conclude each entry with the ENT key. In the screen to the right, the TNC also displays a graphic showing the respective cycle parameter



SPEC
FCT

CONTOUR
+ POINT
MACHINING

PATTERN
DEF

POINT
+

CYCL
CALL

CYCLE
CALL
PRG

L

- ▶ Call the menu for special functions
- ▶ Display the functions for point machining
- ▶ Select the pattern definition
- ▶ Select point entry: Enter the coordinates of the 4 points and confirm each with the ENT key. After entering the fourth point, save the block with the END key
- ▶ Display the menu for defining the cycle call
- ▶ Run the drilling cycle on the defined pattern:
 - ▶ Confirm **Feed rate F=?** with the ENT key: Move at rapid traverse (**FMAX**)
 - ▶ **Miscellaneous function M?** Switch on the spindle and coolant, e.g. **M13**. Confirm with the END key: The TNC saves the entered positioning block
 - ▶ Retract the tool: Press the orange axis key Z in order to get clear in the tool axis, and enter the value for the position to be approached, e.g. 250. Confirm with the ENT key
 - ▶ Confirm **Radius comp.: RL/RR/no comp?** by pressing the ENT key: Do not activate the radius compensation
 - ▶ Confirm **Feed rate F=?** with the ENT key: Move at rapid traverse (**FMAX**)
 - ▶ **Miscellaneous function M?** Enter **M2** to end the program and confirm with the END key: The TNC saves the entered positioning block

Example NC blocks

0 BEGIN PGM C200 MM	
1 BLK FORM 0.1 Z X+0 Y+0 Z-40	Definition of workpiece blank
2 BLK FORM 0.2 X+100 Y+100 Z+0	
3 TOOL CALL 5 Z S4500	Tool call
4 L Z+250 R0 FMAX	Retract the tool
5 PATTERN DEF POS1 (X+10 Y+10 Z+0) POS2 (X+10 Y+90 Z+0) POS3 (X+90 Y+90 Z+0) POS4 (X+90 Y+10 Z+0)	Define machining positions



6 CYCL DEF 200 DRILLING	Define the cycle
Q200=2 ;SET-UP CLEARANCE	
Q201=-20 ;DEPTH	
Q206=250 ;FEED RATE FOR PLNGNG	
Q202=5 ;PLUNGING DEPTH	
Q210=0 ;DWELL TIME AT TOP	
Q203=-10 ;SURFACE COORDINATE	
Q204=20 ;2ND SET-UP CLEARANCE	
Q211=0.2 ;DWELL TIME AT DEPTH	
7 CYCL CALL PAT FMAX M13	Spindle and coolant on, call the cycle
8 L Z+250 R0 FMAX M2	Retract in the tool axis, end program
9 END PGM C200 MM	

Further information on this topic

- Creating a new program: See "Creating and Writing Programs" on page 85
- Cycle programming: See User's Manual for Cycles



1.4 Graphically Testing the First Program

Selecting the correct operating mode

You can test programs only in the Test Run mode:



- ▶ Press the operating modes key: The TNC goes into the **Test Run** mode

Further information on this topic

- Operating modes of the TNC: See "Operating Modes" on page 62
- Testing programs: See "Test Run" on page 497

Selecting the tool table for the test run

You only need to execute this step if you have not activated a tool table in the Test Run mode.



- ▶ Press the PGM MGT key: The TNC displays the file manager



- ▶ Press the SELECT TYPE soft key: The TNC shows a soft-key menu for selection of the file type to be displayed



- ▶ Press the SHOW ALL soft key: The TNC shows all saved files in the right window



- ▶ Move the highlight to the left onto the directories



- ▶ Move the highlight to the **TNC:** directory



- ▶ Move the highlight to the right onto the files



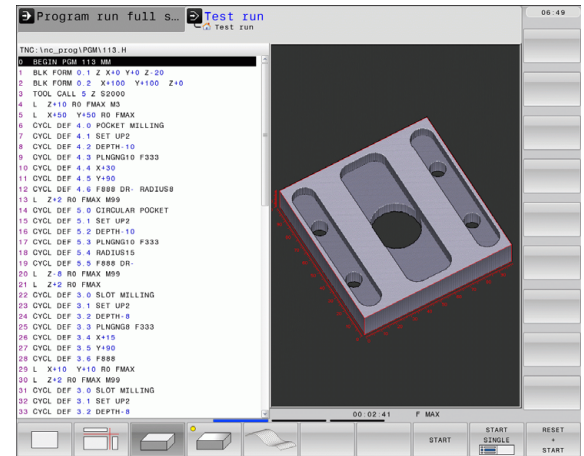
- ▶ Move the highlight to the file TOOL.T (active tool table) and load with the ENT key: TOOL.T receives the status **S** and is therefore active for the Test Run



- ▶ Press the END key: Leave the file manager

Further information on this topic

- Tool management: See "Entering tool data in the table" on page 150
- Testing programs: See "Test Run" on page 497



Choosing the program you want to test



- ▶ Press the PGM MGT key: The TNC displays the file manager



- ▶ Press the LAST FILES soft key: The TNC opens a pop-up window with the most recently selected files
- ▶ Use the arrow keys to select the program that you want to test. Load with the ENT key

Further information on this topic

- Selecting a program: See "Working with the File Manager" on page 100

Selecting the screen layout and the view



- ▶ Press the key for selecting the screen layout. The TNC shows all available alternatives in the soft-key row



- ▶ Press the PROGRAM + GRAPHICS soft key: In the left half of the screen the TNC shows the program; in the right half it shows the workpiece blank

- ▶ Select the desired view via soft key



- ▶ Plan view



- ▶ Projection in three planes



- ▶ 3-D view

Further information on this topic

- Graphic functions: See "Graphics" on page 484
- Running a test run: See "Test Run" on page 497

Starting the program test



- ▶ Press the RESET + START soft key: The TNC simulates the active program up to a programmed break or to the program end
- ▶ While the simulation is running, you can use the soft keys to change views.



- ▶ Press the STOP soft key: The TNC interrupts the test run



- ▶ Press the START soft key: The TNC resumes the test run after a break

Further information on this topic

- Running a test run: See "Test Run" on page 497
- Graphic functions: See "Graphics" on page 484
- Adjusting the test speed: See "Setting the speed of the test run" on page 485



1.5 Tool Setup

Selecting the correct operating mode

Tools are set up in the **Manual Operation** mode:



- ▶ Press the operating modes key: The TNC goes into the **Manual Operation** mode

Further information on this topic

- Operating modes of the TNC: See "Operating Modes" on page 62

Preparing and measuring tools

- ▶ Clamp the required tools in their chucks
- ▶ When measuring with an external tool presetter: Measure the tools, note down the length and radius, or transfer them directly to the machine through a transfer program
- ▶ When measuring on the machine: Place the tools into the tool changer (see page 51)

The tool table TOOL.T

In the tool table TOOL.T (permanently saved under **TNC:\TABLE**), save the tool data such as length and radius, but also further tool-specific information that the TNC needs to perform its functions.

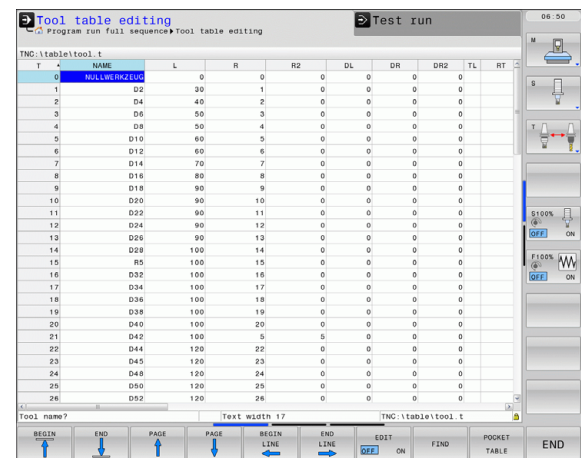
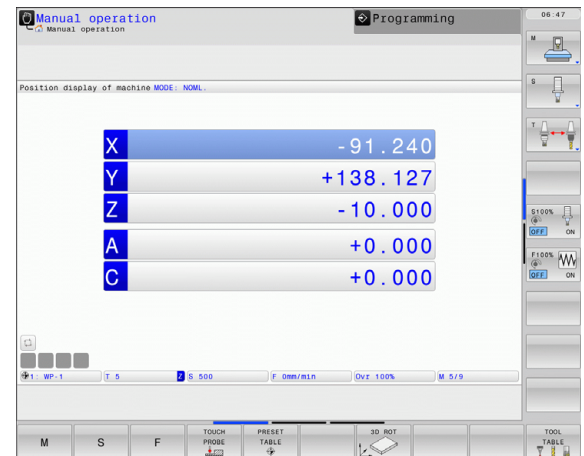
To enter tool data in the tool table TOOL.T, proceed as follows:



- ▶ Display the tool table
- ▶ Edit the tool table: Set the EDITING soft key to ON
- ▶ With the upward or downward arrow keys you can select the tool number that you want to edit
- ▶ With the rightward or leftward arrow keys you can select the tool data that you want to edit
- ▶ To leave the tool table, press the END key

Further information on this topic

- Operating modes of the TNC: See "Operating Modes" on page 62
- Working with the tool table: See "Entering tool data in the table" on page 150



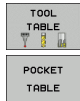
The pocket table TOOL_P.TCH



The function of the pocket table depends on the machine. Your machine manual provides more detailed information.

In the pocket table TOOL_P.TCH (permanently saved under **TNC:\TABLE**) you specify which tools your tool magazine contains.

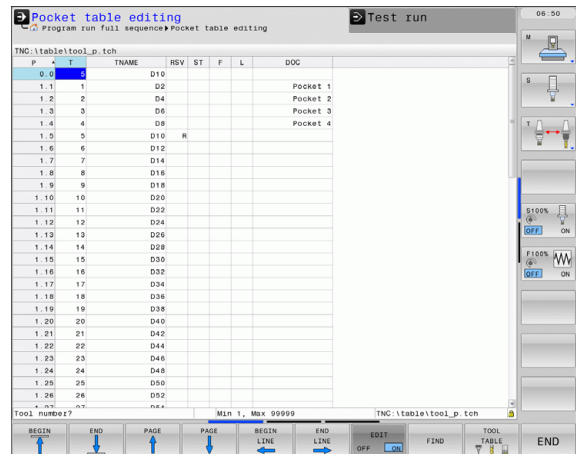
To enter data in the pocket table TOOL_P.TCH, proceed as follows:



- ▶ Display the tool table
- ▶ Display the pocket table
- ▶ Edit the pocket table: Set the EDITING soft key to ON
- ▶ With the upward or downward arrow keys you can select the pocket number that you want to edit
- ▶ With the rightward or leftward arrow keys you can select the data that you want to edit
- ▶ To leave the pocket table, press the END key

Further information on this topic

- Operating modes of the TNC: See "Operating Modes" on page 62
- Working with the pocket table: See "Pocket table for tool changer" on page 157



1.6 Workpiece Setup

Selecting the correct operating mode

Workpieces are set up in the **Manual Operation** or **Electronic Handwheel** mode



- ▶ Press the operating modes key: The TNC goes into the **Manual Operation** mode

Further information on this topic

- Manual Operation mode: See "Moving the Machine Axes" on page 441

Clamping the workpiece

Mount the workpiece with a fixture on the machine table. If you have a 3-D touch probe on your machine, then you do not need to clamp the workpiece parallel to the axes.

If you do not have a 3-D touch probe available, you have to align the workpiece so that it is fixed with its edges parallel to the machine axes.



Aligning the workpiece with a 3-D touch probe system

- ▶ Insert the 3-D touch probe: In the Manual Data Input (MDI) operating mode, run a **TOOL CALL** block containing the tool axis, and then return to the **Manual Operation** mode (in MDI mode you can run an individual NC block independently of the others)



- ▶ Select the probing functions: The TNC displays the available functions in the soft-key row



- ▶ Measure the basic rotation: The TNC displays the basic rotation menu. To identify the basic rotation, probe two points on a straight surface of the workpiece
 - ▶ Use the axis-direction keys to pre-position the touch probe to a position near the first contact point
 - ▶ Select the probing direction via soft key
 - ▶ Press NC start: The touch probe moves in the defined direction until it contacts the workpiece and then automatically returns to its starting point
 - ▶ Use the axis-direction keys to pre-position the touch probe to a position near the second contact point
 - ▶ Press NC start: The touch probe moves in the defined direction until it contacts the workpiece and then automatically returns to its starting point
 - ▶ Then the TNC shows the measured basic rotation
 - ▶ Press SET BASIC ROTATION soft key to select the displayed value as the active rotation. Press the END soft key to exit the menu

Further information on this topic

- MDI operating mode: See "Programming and Executing Simple Machining Operations" on page 478
- Workpiece alignment: See "Compensating Workpiece Misalignment with a 3-D Touch Probe" on page 461



Datum setting with a 3-D touch probe

- ▶ Insert the 3-D touch probe: In the MDI mode, run a **TOOL CALL** block containing the tool axis and then return to the **Manual Operation** mode



- ▶ Select the probing functions: The TNC displays the available functions in the soft-key row
- ▶ Set the datum at a workpiece corner, for example
- ▶ Position the touch probe near the first touch point on the first workpiece edge
- ▶ Select the probing direction via soft key
- ▶ Press NC start: The touch probe moves in the defined direction until it contacts the workpiece and then automatically returns to its starting point
- ▶ Use the axis-direction keys to pre-position the touch probe to a position near the second touch point on the first workpiece edge
- ▶ Press NC start: The touch probe moves in the defined direction until it contacts the workpiece and then automatically returns to its starting point
- ▶ Use the axis-direction keys to pre-position the touch probe to a position near the first touch point on the second workpiece edge
- ▶ Select the probing direction via soft key
- ▶ Press NC start: The touch probe moves in the defined direction until it contacts the workpiece and then automatically returns to its starting point
- ▶ Use the axis-direction keys to pre-position the touch probe to a position near the second touch point on the second workpiece edge
- ▶ Press NC start: The touch probe moves in the defined direction until it contacts the workpiece and then automatically returns to its starting point
- ▶ Then the TNC shows the coordinates of the measured corner point



- ▶ Set to 0: Press the SET DATUM soft key
- ▶ Press the END soft key to close the menu

Further information on this topic

- Datum setting: See "Datum Setting with a 3-D Touch Probe" on page 463



1.7 Running the First Program

Selecting the correct operating mode

You can run programs either in the Single Block or the Full Sequence mode:



- ▶ Press the operating mode key: The TNC goes into the **Program Run, Single Block** mode and the TNC executes the program block by block. You have to confirm each block with the NC start key



- ▶ Press the operating mode key: The TNC goes into the **Program Run, Full Sequence** mode and the TNC executes the program after NC start up to a program break or to the end of the program

Further information on this topic

- Operating modes of the TNC: See "Operating Modes" on page 62
- Running programs: See "Program run" on page 499

Choosing the program you want to run



- ▶ Press the PGM MGT key: The TNC displays the file manager



- ▶ Press the LAST FILES soft key: The TNC opens a pop-up window with the most recently selected files
- ▶ If desired, use the arrow keys to select the program that you want to run. Load with the ENT key

Further information on this topic

- File management: See "Working with the File Manager" on page 100

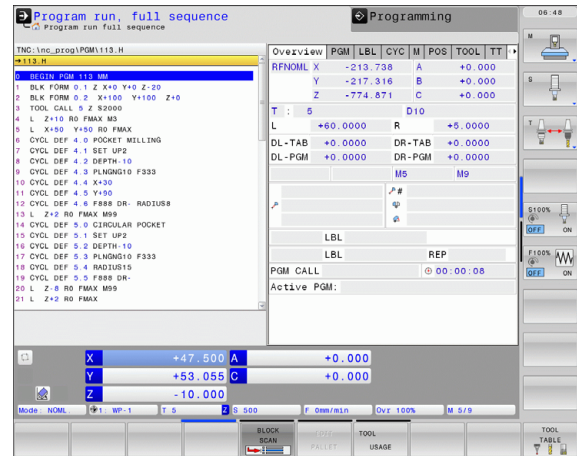
Starting the program



- ▶ Press the NC start button: The TNC executes the active program

Further information on this topic

- Running programs: See "Program run" on page 499







2

Introduction



2.1 The TNC 640

HEIDENHAIN TNC controls are workshop-oriented contouring controls that enable you to program conventional machining operations right at the machine in an easy-to-use conversational programming language. They are designed for milling and drilling machines, as well as machining centers, with up to 18 axes. You can also change the angular position of the spindle under program control.

An integrated hard disk provides storage for as many programs as you like, even if they were created off-line. For quick calculations you can call up the on-screen pocket calculator at any time.

Keyboard and screen layout are clearly arranged in such a way that the functions are fast and easy to use.

Programming: HEIDENHAIN conversational and ISO formats

The HEIDENHAIN conversational programming format is an especially easy method of writing programs. Interactive graphics illustrate the individual machining steps for programming the contour. If a production drawing is not dimensioned for NC, the HEIDENHAIN FK free contour programming performs the necessary calculations automatically. Workpiece machining can be graphically simulated either during or before actual machining.

It is also possible to program the TNCs in ISO format or DNC mode.

You can also enter and test one program while the control is running another.

Compatibility

Machining programs created on HEIDENHAIN contouring controls (starting from the TNC 150 B) may not always run on the TNC 640. If NC blocks contain invalid elements, the TNC will mark them as ERROR blocks when the file is opened.



Please also note the detailed description of the differences between the iTNC 530 and the TNC 640 (see "Comparison: Functions of the TNC 640 and the iTNC 530" on page 555).



2.2 Visual Display Unit and Keyboard

Visual display unit

The TNC is shipped with a 19-inch TFT flat-panel display.

1 Header

When the TNC is on, the selected operating modes are shown in the screen header: the machining mode at the left and the programming mode at right. The currently active operating mode is displayed in the larger box, where the dialog prompts and TNC messages also appear (unless the TNC is showing only graphics).

2 Soft keys

In the footer the TNC indicates additional functions in a soft-key row. You can select these functions by pressing the keys immediately below them. The lines immediately above the soft-key row indicate the number of soft-key rows that can be called with the black arrow keys to the right and left. The bar representing the active soft-key row is highlighted.

3 Soft-key selection keys

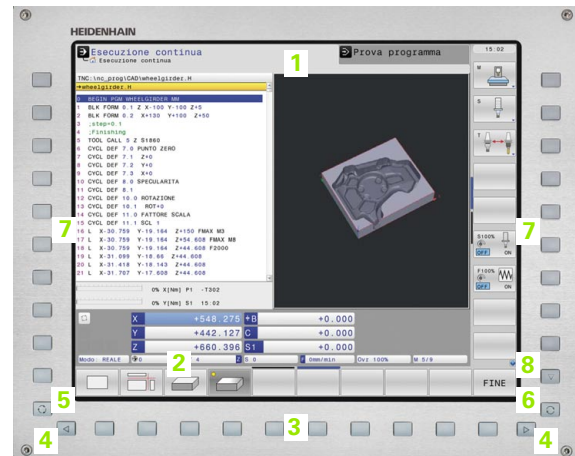
4 Switching the soft-key rows

5 Setting the screen layout

6 Shift key for switchover between machining and programming modes

7 Soft-key selection keys for machine tool builders

8 Switching the soft-key rows for machine tool builders



Setting the screen layout

You select the screen layout yourself: In the PROGRAMMING AND EDITING mode of operation, for example, you can have the TNC show program blocks in the left window while the right window displays programming graphics. You could also display the program structure in the right window instead, or display only program blocks in one large window. The available screen windows depend on the selected operating mode.

To change the screen layout:



Press the SPLIT SCREEN key: The soft-key row shows the available layout options (see "Operating Modes", page 62)



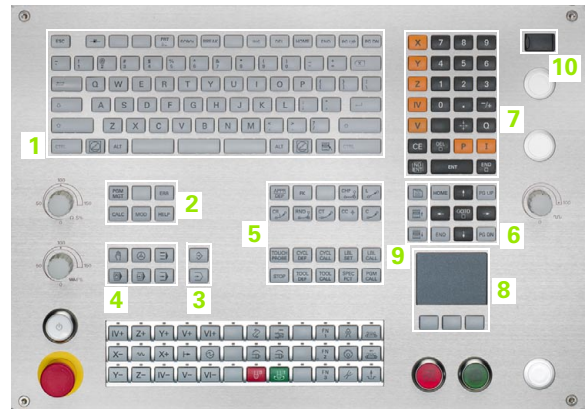
Select the desired screen layout



Operating panel

The TNC 640 is delivered with an integrated keyboard. The figure at right shows the controls and displays of the keyboard:

- 1 Alphabetic keyboard for entering texts and file names, and for ISO programming.
- 2
 - File manager
 - On-line calculator
 - MOD function
 - HELP function
- 3 Programming modes
- 4 Machine operating modes
- 5 Initiation of programming dialog
- 6 Arrow keys and GOTO jump command
- 7 Numerical input and axis selection
- 8 Touchpad
- 9 Navigation keys
- 10 USB connection



The functions of the individual keys are described on the inside front cover.



Some machine manufacturers do not use the standard operating panel from HEIDENHAIN. Please refer to your machine manual in these cases.

Machine panel buttons, e.g. NC START or NC STOP, are described in the manual for your machine tool.



2.3 Operating Modes

Manual Operation and EI. Handwheel

The Manual Operation mode is required for setting up the machine tool. In this mode of operation, you can position the machine axes manually or by increments, set the datums, and tilt the working plane.

The EI. Handwheel mode of operation allows you to move the machine axes manually with the HR electronic handwheel.

Soft keys for selecting the screen layout (select as described previously)

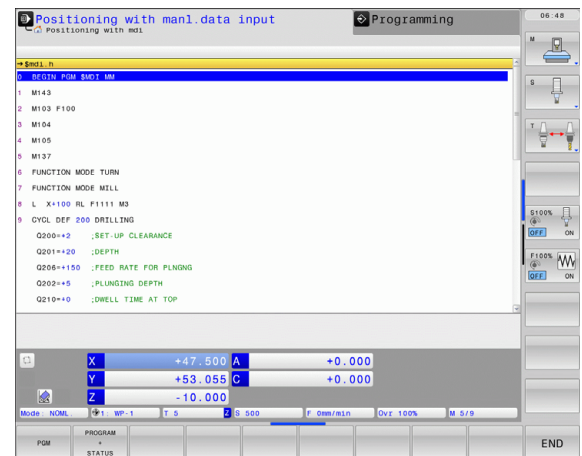
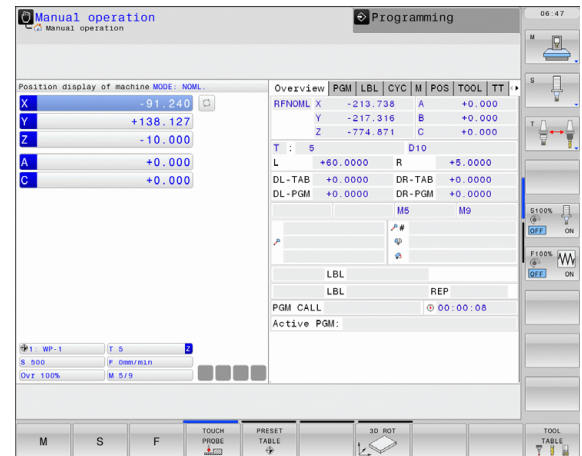
Window	Soft key
Positions	POSITION
Left: positions, right: status display	POSITION + STATUS

Positioning with Manual Data Input

This mode of operation is used for programming simple traversing movements, such as for face milling or pre-positioning.

Soft keys for selecting the screen layout

Window	Soft key
Program	PGM
Left: program blocks, right: status display	PROGRAM + STATUS

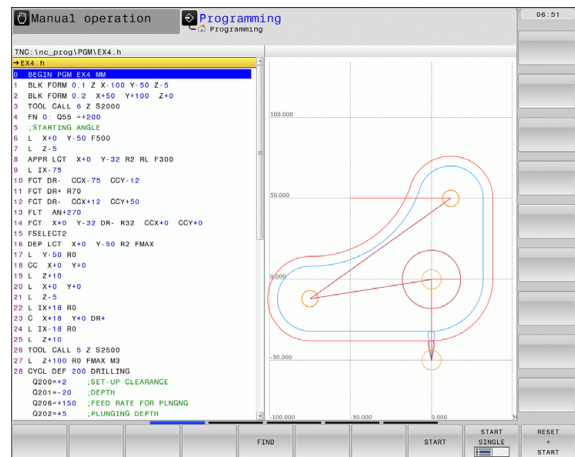


Programming and Editing

In this mode of operation you can write your part programs. The FK free programming feature, the various cycles and the Q parameter functions help you with programming and add necessary information. If desired, you can have the programming graphics show the programmed paths of traverse.

Soft keys for selecting the screen layout

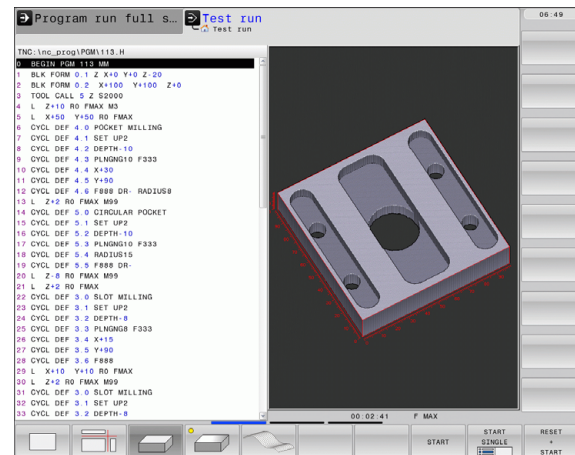
Window	Soft key
Program	PGM
Left: program, right: program structure	PROGRAM SECTS
Left: program blocks, right: graphics	PROGRAM GRAPHICS



Test Run

In the Test Run mode of operation, the TNC checks programs and program sections for errors, such as geometrical incompatibilities, missing or incorrect data within the program or violations of the working space. This simulation is supported graphically in different display modes.

Soft keys for selecting the screen layout: see "Program Run, Full Sequence and Program Run, Single Block", page 64.



Program Run, Full Sequence and Program Run, Single Block

In the Program Run, Full Sequence mode of operation the TNC executes a part program continuously to its end or to a manual or programmed stop. You can resume program run after an interruption.

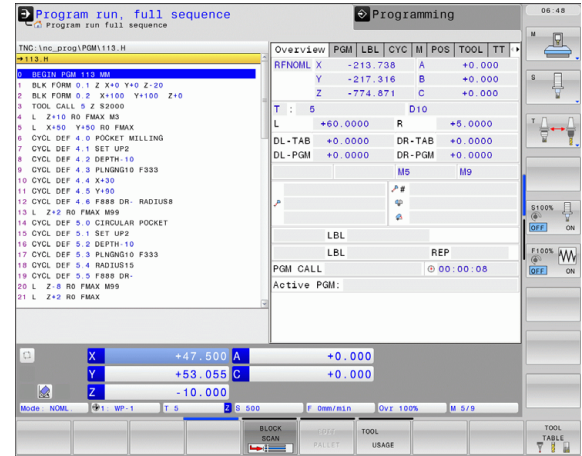
In the Program Run, Single Block mode of operation you execute each block separately by pressing the machine START button.

Soft keys for selecting the screen layout

Window	Soft key
Program	PGM
Left: program, right: program structure	PROGRAM + SECTS
Left: program, right: status	PROGRAM + STATUS
Left: program, right: graphics	PROGRAM + GRAPHICS
Graphics	GRAPHICS

Soft keys for selecting the screen layout for pallet tables (software option Pallet management)

Window	Soft key
Pallet table	PALLET
Left: program blocks, right: pallet table	PROGRAM + PALLET
Left: pallet table, right: status	PALLET + STATUS



2.4 Status Displays






"General" status display

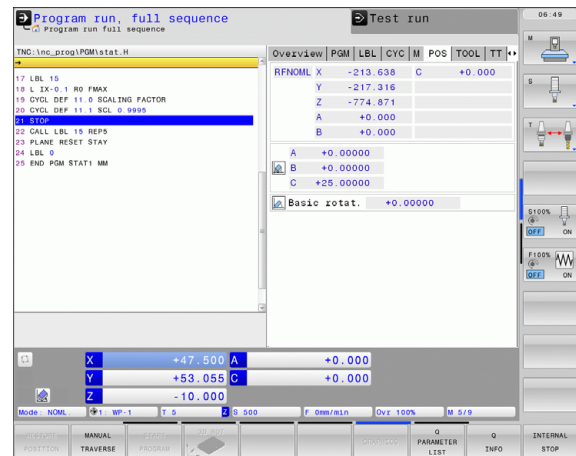
The status display in the lower part of the screen informs you of the current state of the machine tool. It is displayed automatically in the following modes of operation:

- Program Run, Single Block and Program Run, Full Sequence, except if the screen layout is set to display graphics only, and
- Positioning with Manual Data Input (MDI).






In the Manual Operation and EI. Handwheel modes the status display appears in the large window.

Information in the status display

Symbol	Meaning
ACTL.	Position display: Actual, nominal or distance-to-go coordinates mode
XYZ	Machine axes; the TNC displays auxiliary axes in lower-case letters. The sequence and quantity of displayed axes is determined by the machine tool builder. Refer to your machine manual for more information
	Number of the active presets from the preset table. If the datum was set manually, the TNC displays the text MAN behind the symbol.
F S M	The displayed feed rate in inches corresponds to one tenth of the effective value. Spindle speed S, feed rate F and active M functions
	Axis is clamped
	Axis can be moved with the handwheel
	Axes are moving under a basic rotation
	Axes are moving in a tilted working plane
TC PM	The M128 function or TCPM FUNCTION is active.



2.4 Status Displays

Symbol	Meaning
	No active program
	Program run has started
	Program run is stopped
	Program run is being aborted
	Turning mode is active



Additional status displays

The additional status displays contain detailed information on the program run. They can be called in all operating modes except for the Programming and Editing mode of operation.

To switch on the additional status display:



Call the soft-key row for screen layout



Select the screen layout with additional status display: In the right half of the screen, the TNC shows the **Overview** status form

To select an additional status display:



Switch the soft-key rows until the STATUS soft keys appear



Either select the additional status display directly by soft key, e.g. positions and coordinates, or



use the switch-over soft keys to select the desired view

The available status displays described below can be selected either directly by soft key or with the switch-over soft keys.




Please note that some of the status information described below is not available unless the associated software option is enabled on your TNC.



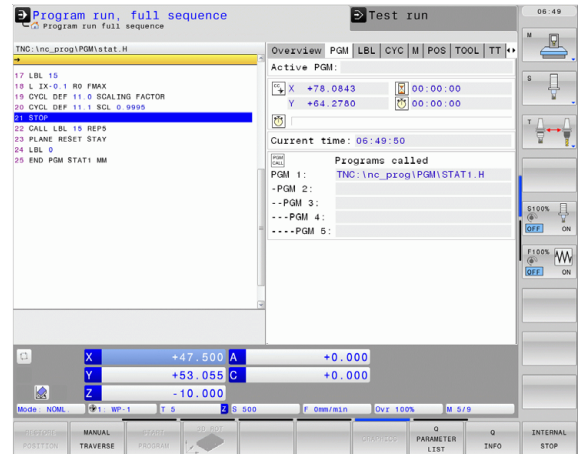
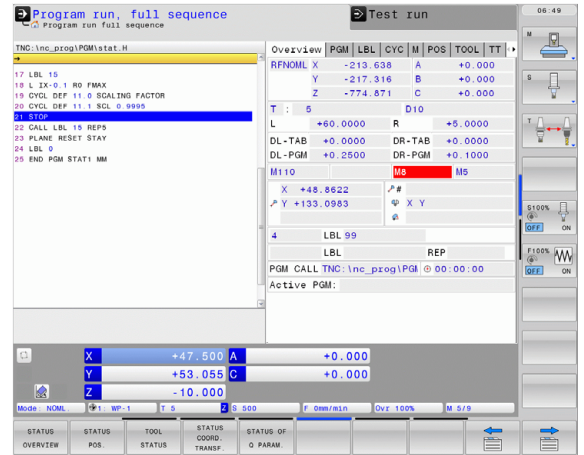
Overview

After switch-on, the TNC displays the **Overview** status form, provided that you have selected the PROGRAM+STATUS screen layout (or POSITION + STATUS). The overview form contains a summary of the most important status information, which you can also find on the various detail forms.

Soft key	Meaning
	Position display
	Tool information
	Active M functions
	Active coordinate transformations
	Active subprogram
	Active program section repeat
	Program called with PGM CALL
	Current machining time
	Name of the active main program

General program information (PGM tab)

Soft key	Meaning
No direct selection possible	Name of the active main program
	Circle center CC (pole)
	Dwell time counter
	Machining time when the program was completely simulated in the Test Run operating mode
	Current machining time in percent
	Current time
	Active programs

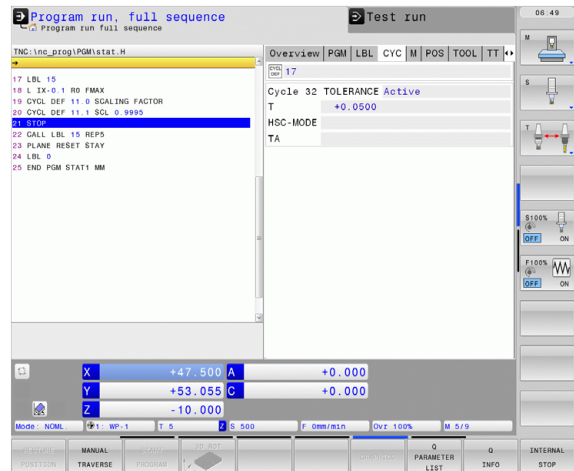
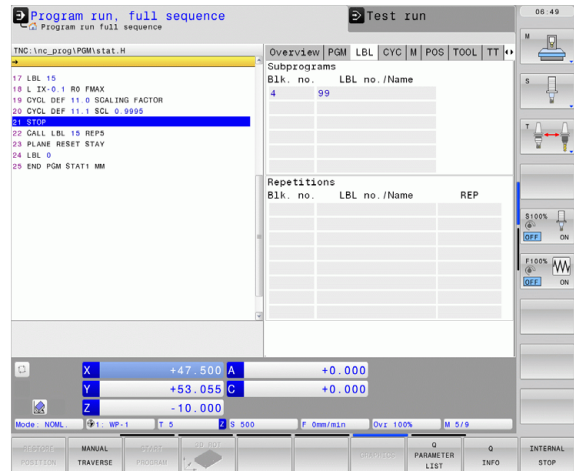


Program section repeat/Subprograms (LBL tab)

Soft key	Meaning
No direct selection possible	Active program section repeats with block number, label number, and number of programmed repeats/repeats yet to be run
	Active subprogram numbers with block number in which the subprogram was called and the label number that was called

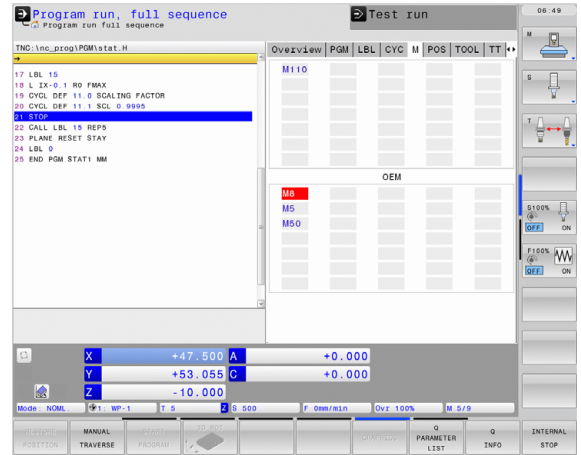
Information on standard cycles (CYC tab)

Soft key	Meaning
No direct selection possible	Active machining cycle
	Active values of Cycle 32 Tolerance



Active miscellaneous functions M (M tab)

Soft key	Meaning
No direct selection possible	List of the active M functions with fixed meaning
	List of the active M functions that are adapted by your machine manufacturer

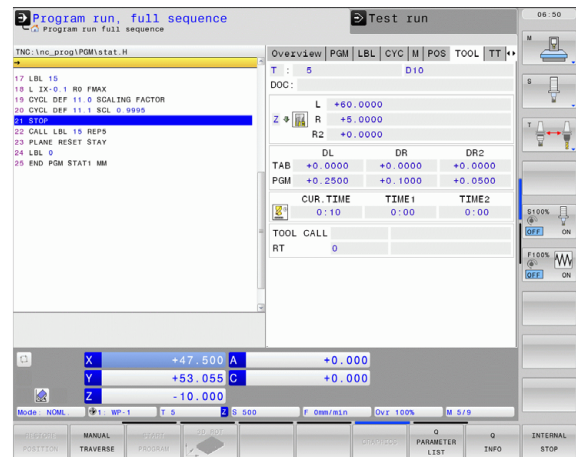
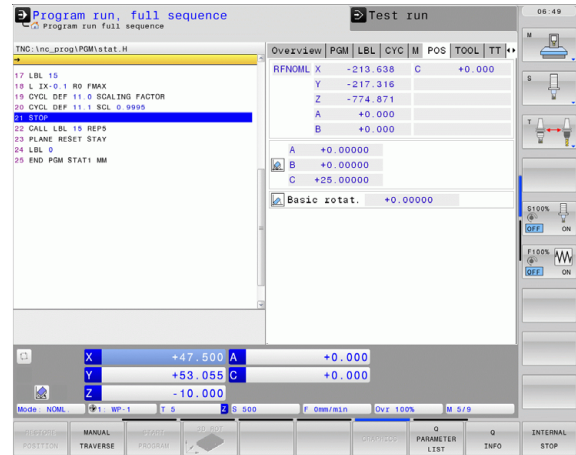


Positions and coordinates (POS tab)

Soft key	Meaning
STATUS POS.	Type of position display, e.g. actual position
	Tilt angle of the working plane
	Angle of a basic rotation

Information on tools (TOOL tab)

Soft key	Meaning
TOOL STATUS	<ul style="list-style-type: none"> T: Tool number and name RT: Number and name of a replacement tool
	Tool axis
	Tool lengths and radii
	Oversizes (delta values) from the tool table (TAB) and the TOOL CALL (PGM)
	Tool age, maximum tool age (TIME 1) and maximum tool age for TOOL CALL (TIME 2)
	Display of the active tool and the (next) replacement tool



Tool measurement (TT tab)



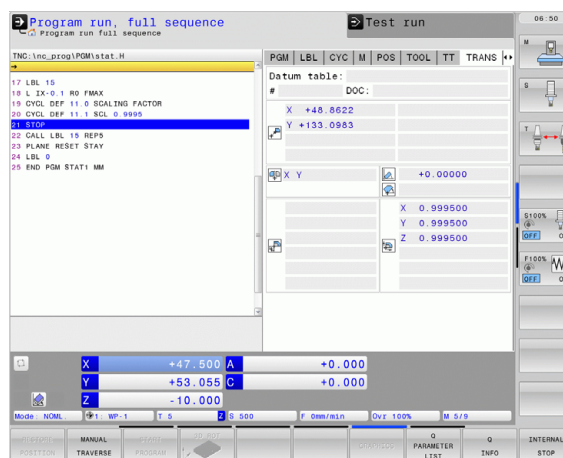
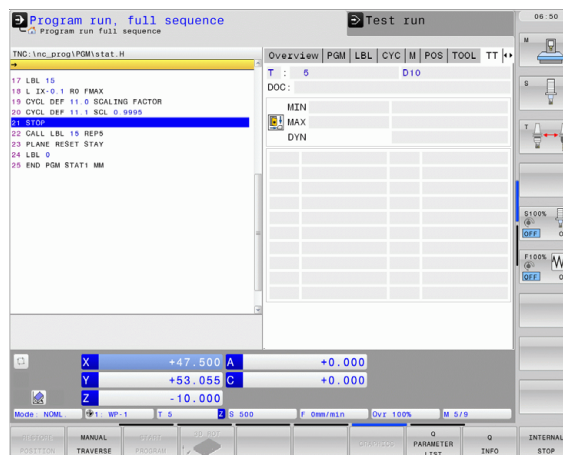
The TNC displays the TT tab only if the function is active on your machine.

Soft key	Meaning
No direct selection possible	Number of the tool to be measured
	Display whether the tool radius or the tool length is being measured
	MIN and MAX values of the individual cutting edges and the result of measuring the rotating tool (DYN = dynamic measurement)
	Cutting edge number with the corresponding measured value. If the measured value is followed by an asterisk, the permissible tolerance in the tool table was exceeded

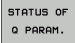
Coordinate transformations (TRANS tab)

Soft key	Meaning
STATUS COORD. TRANSF.	Name of the active datum table
	Active datum number (#), comment from the active line of the active datum number (DOC) from Cycle 7
	Active datum shift (Cycle 7); The TNC displays an active datum shift in up to 8 axes
	Mirrored axes (Cycle 8)
	Active basic rotation
	Active rotation angle (Cycle 10)
	Active scaling factor/factors (Cycles 11 / 26); The TNC displays an active scaling factor in up to 6 axes
	Scaling datum

For further information, refer to the User's Manual for Cycles, "Coordinate Transformation Cycles."

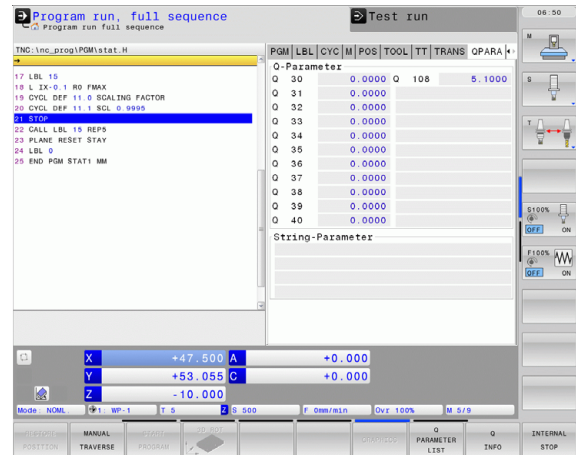


Displaying Q parameters (QPARA tab)

Soft key	Meaning
	Display the current values of the defined Q parameters
	Display the character strings of the defined string parameters



Press the Q PARAMETER LIST soft key. The TNC opens a pop-up window in which you can enter the desired range for display of the Q parameters or string parameters. Multiple Q parameters are entered separated by commas (e.g. Q 1,2,3,4). To define display ranges, enter a hyphen (e.g. Q 10-14).



2.5 Window Manager



The machine tool builder determines the scope of function and behavior of the window manager. The machine tool manual provides further information.

The TNC features the Xfce window manager. Xfce is a standard application for UNIX-based operating systems, and is used to manage graphical user interfaces. The following functions are possible with the window manager:

- Display a task bar for switching between various applications (user interfaces).
- Manage an additional desktop, on which special applications from your machine tool builder can run.
- Control the focus between NC-software applications and those of the machine tool builder.
- The size and position of pop-up windows can be changed. It is also possible to close, minimize and restore the pop-up windows.



The TNC shows a star in the upper left of the screen if an application of the window manager or the window manager itself has caused an error. In this case, switch to the window manager and correct the problem. If required, refer to your machine manual.



Soft-key row

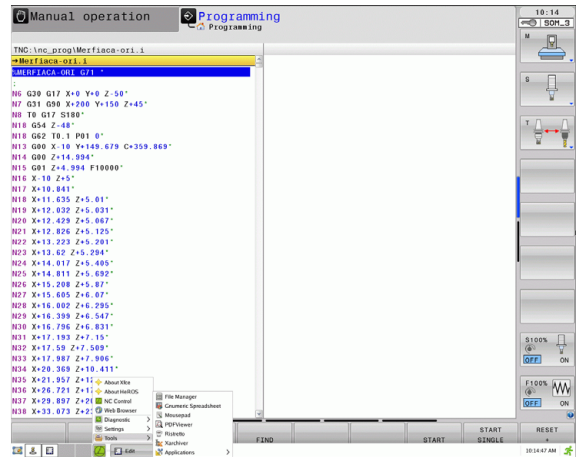
In the task bar you can choose different workspaces by mouse click. The TNC provides the following workspaces:

- Workspace 1: Active mode of operation
- Workspace 2: Active programming mode
- Workspace 3: Manufacturer's applications (optionally available)

In the task bar you can also select other applications that you have started together with the TNC (switch for example to the **PDF viewer** or **TNCguide**)

Click the green HEIDENHAIN symbol to open a menu in which you can get information, make settings or start applications. The following functions are available:

- **About Xfce**: Information on the Windows manager Xfce
- **About HeROS**: Information about the operation system of the TNC
- **NC Control**: Start and stop the TNC software. Only permitted for diagnostic purposes
- **Web Browser**: Start Mozilla Firefox
- **Diagnostics**: Available only to authorized specialists to start diagnostic functions
- **Settings**: Configuration of miscellaneous settings
 - **Date/Time**: Set the date and time
 - **Language**: Language setting for the system dialogs. During startup the TNC overwrites this setting with the language setting of MP 7230
 - **Network**: Network setting
 - **Reset WM-Conf**: Restore basic settings of the Windows Manager. May also reset settings implemented by your machine manufacturer
 - **Screensaver**: Settings for the screen saver; several are available
 - **Shares**: Configure network connections
- **Tools**: Only for authorized users. The applications available under tools can be started directly by selecting the pertaining file type in the file management of the TNC (see "File Management: Fundamentals" on page 97)



2.6 Accessories: HEIDENHAIN 3-D Touch Probes and Electronic Handwheels

3-D touch probes

The various HEIDENHAIN 3-D touch probes enable you to:

- Automatically align workpieces
- Quickly and precisely set datums
- Measure the workpiece during program run
- Measure and inspect tools



All of the touch probe functions are described in the User's Manual for Cycle Programming. Please contact HEIDENHAIN if you need a copy of this User's Manual. ID: 892 905-xx.

TS 220, TS 440, TS 444, TS 640 und TS 740 touch trigger probes

These touch probes are particularly effective for automatic workpiece alignment, datum setting and workpiece measurement. The TS 220 transmits the triggering signals to the TNC via cable and is a cost-effective alternative for applications where digitizing is not frequently required.

The TS 640 (see figure) and the smaller TS 440 feature infrared transmission of the triggering signal to the TNC. This makes them highly convenient for use on machines with automatic tool changers.

Principle of operation: HEIDENHAIN triggering touch probes feature a wear resisting optical switch that generates an electrical signal as soon as the stylus is deflected. This signal is transmitted to the control, which stores the current position of the stylus as the actual value.



TT 140 tool touch probe for tool measurement

The TT 140 is a triggering 3-D touch probe for tool measurement and inspection. Your TNC provides three cycles for this touch probe with which you can measure the tool length and radius automatically either with the spindle rotating or stopped. The TT 140 features a particularly rugged design and a high degree of protection, which make it insensitive to coolants and swarf. The triggering signal is generated by a wear-resistant and highly reliable optical switch.

HR electronic handwheels

Electronic handwheels facilitate moving the axis slides precisely by hand. A wide range of traverses per handwheel revolution is available. Apart from the HR 130 and HR 150 panel-mounted handwheels, HEIDENHAIN also offers the HR 410 portable handwheel.







3

**Programming:
Fundamentals,
File Management**



3.1 Fundamentals

Position encoders and reference marks

The machine axes are equipped with position encoders that register the positions of the machine table or tool. Linear axes are usually equipped with linear encoders, rotary tables and tilting axes with angle encoders.

When a machine axis moves, the corresponding position encoder generates an electrical signal. The TNC evaluates this signal and calculates the precise actual position of the machine axis.

If there is a power interruption, the calculated position will no longer correspond to the actual position of the machine slide. To recover this association, incremental position encoders are provided with reference marks. The scales of the position encoders contain one or more reference marks that transmit a signal to the TNC when they are crossed over. From that signal the TNC can re-establish the assignment of displayed positions to machine positions. For linear encoders with distance-coded reference marks, the machine axes need to move by no more than 20 mm, for angle encoders by no more than 20°.

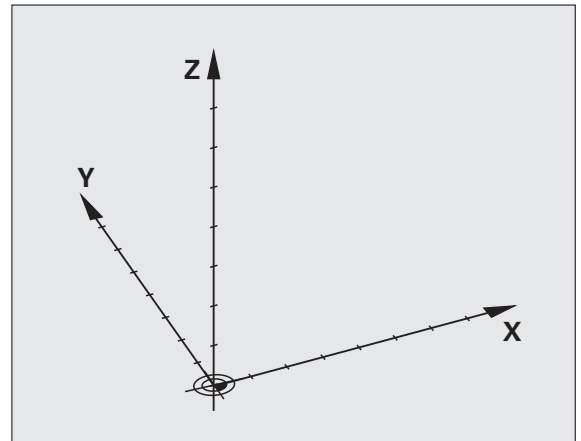
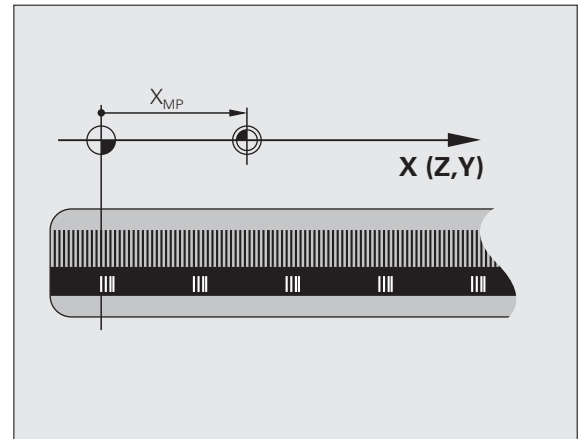
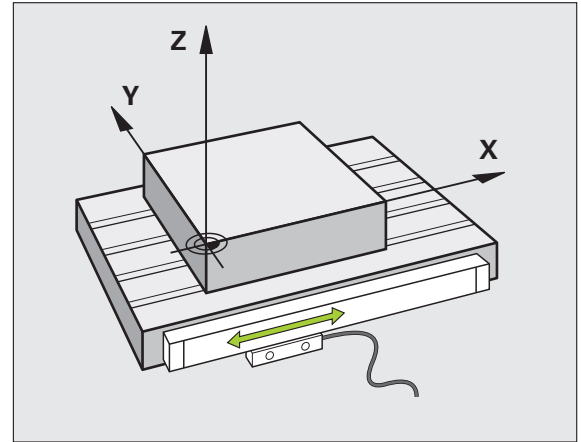
With absolute encoders, an absolute position value is transmitted to the control immediately upon switch-on. In this way the assignment of the actual position to the machine slide position is re-established directly after switch-on.

Reference system

A reference system is required to define positions in a plane or in space. The position data are always referenced to a predetermined point and are described through coordinates.

The Cartesian coordinate system (a rectangular coordinate system) is based on the three coordinate axes X, Y and Z. The axes are mutually perpendicular and intersect at one point called the datum. A coordinate identifies the distance from the datum in one of these directions. A position in a plane is thus described through two coordinates, and a position in space through three coordinates.

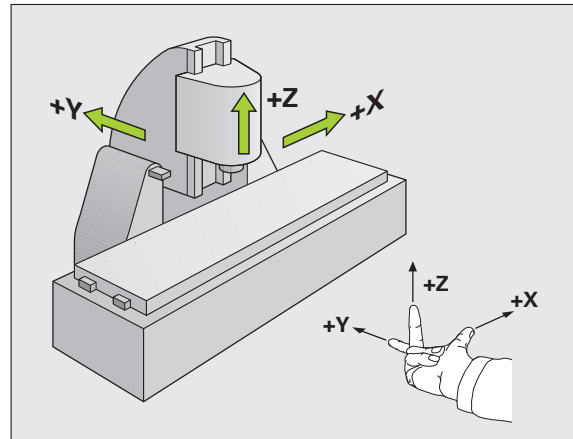
Coordinates that are referenced to the datum are referred to as absolute coordinates. Relative coordinates are referenced to any other known position (reference point) you define within the coordinate system. Relative coordinate values are also referred to as incremental coordinate values.



Reference system on milling machines

When using a milling machine, you orient tool movements to the Cartesian coordinate system. The illustration at right shows how the Cartesian coordinate system describes the machine axes. The figure illustrates the right-hand rule for remembering the three axis directions: the middle finger points in the positive direction of the tool axis from the workpiece toward the tool (the Z axis), the thumb points in the positive X direction, and the index finger in the positive Y direction.

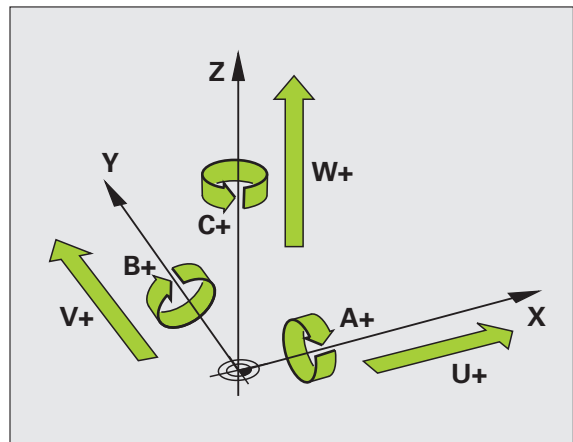
The TNC 640 can control up to 18 axes optionally. The axes U, V and W are secondary linear axes parallel to the main axes X, Y and Z, respectively. Rotary axes are designated as A, B and C. The illustration at lower right shows the assignment of secondary axes and rotary axes to the main axes.



Designation of the axes on milling machines

The X, Y and Z axes on your milling machine are also referred to as tool axis, principal axis (1st axis) and minor axis (2nd axis). The assignment of the tool axis is decisive for the assignment of the principal and minor axes.

Tool axis	Principal axis	Minor axis
X	Y	Z
Y	Z	X
Z	X	Y



Polar coordinates

If the production drawing is dimensioned in Cartesian coordinates, you also write the NC program using Cartesian coordinates. For parts containing circular arcs or angles it is often simpler to give the dimensions in polar coordinates.

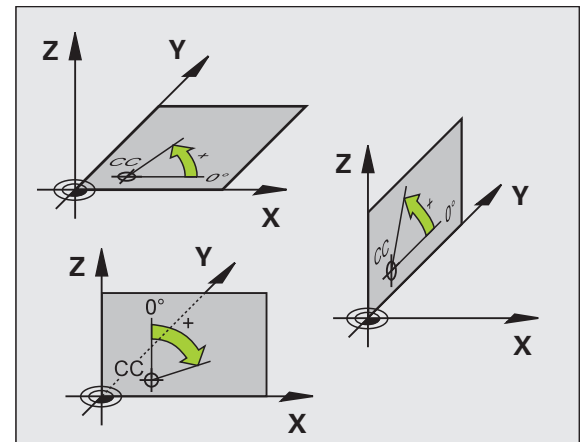
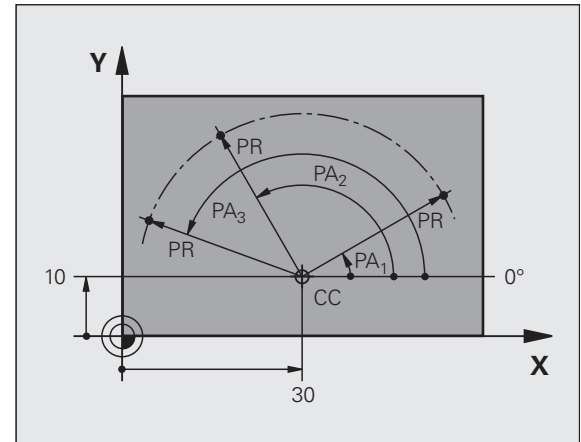
While the Cartesian coordinates X, Y and Z are three-dimensional and can describe points in space, polar coordinates are two-dimensional and describe points in a plane. Polar coordinates have their datum at a circle center (CC), or pole. A position in a plane can be clearly defined by the:

- Polar Radius, the distance from the circle center CC to the position, and the
- Polar Angle, the value of the angle between the angle reference axis and the line that connects the circle center CC with the position.

Setting the pole and the angle reference axis

The pole is set by entering two Cartesian coordinates in one of the three planes. These coordinates also set the reference axis for the polar angle PA.

Coordinates of the pole (plane)	Angle reference axis
X/Y	+X
Y/Z	+Y
Z/X	+Z



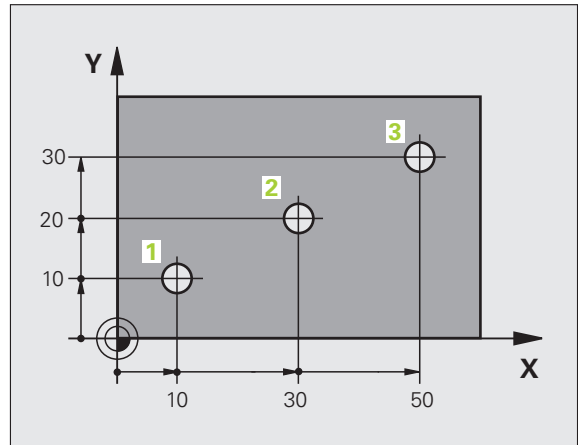
Absolute and incremental workpiece positions

Absolute workpiece positions

Absolute coordinates are position coordinates that are referenced to the datum of the coordinate system (origin). Each position on the workpiece is uniquely defined by its absolute coordinates.

Example 1: Holes dimensioned in absolute coordinates

Hole 1	Hole 2	Hole 3
X = 10 mm	X = 30 mm	X = 50 mm
Y = 10 mm	Y = 20 mm	Y = 30 mm



Incremental workpiece positions

Incremental coordinates are referenced to the last programmed nominal position of the tool, which serves as the relative (imaginary) datum. When you write an NC program in incremental coordinates, you thus program the tool to move by the distance between the previous and the subsequent nominal positions. This is why they are also referred to as a chain dimensions.

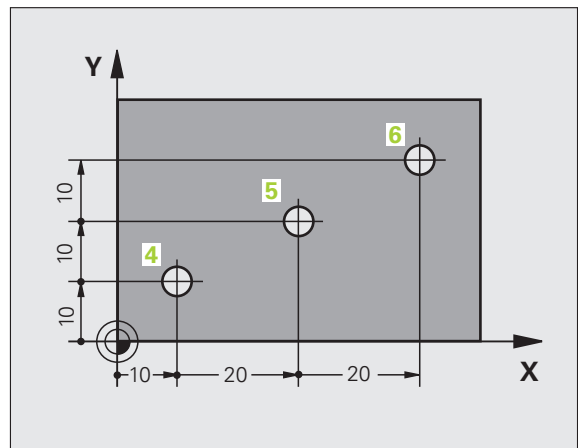
To program a position in incremental coordinates, enter the function "I" before the axis.

Example 2: Holes dimensioned in incremental coordinates

Absolute coordinates of hole 4

X = 10 mm
Y = 10 mm

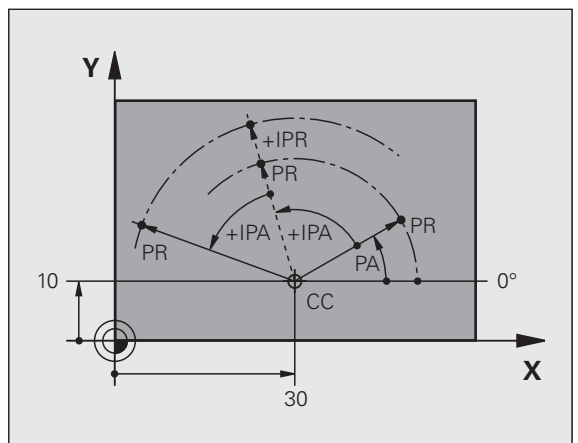
Hole 5, with respect to 4	Hole 6, with respect to 5
X = 20 mm	X = 20 mm
Y = 10 mm	Y = 10 mm



Absolute and incremental polar coordinates

Absolute polar coordinates always refer to the pole and the angle reference axis.

Incremental polar coordinates always refer to the last programmed nominal position of the tool.



Setting the datum

A production drawing identifies a certain form element of the workpiece, usually a corner, as the absolute datum. When setting the datum, you first align the workpiece along the machine axes, and then move the tool in each axis to a defined position relative to the workpiece. Set the display of the TNC either to zero or to a known position value for each position. This establishes the reference system for the workpiece, which will be used for the TNC display and your part program.

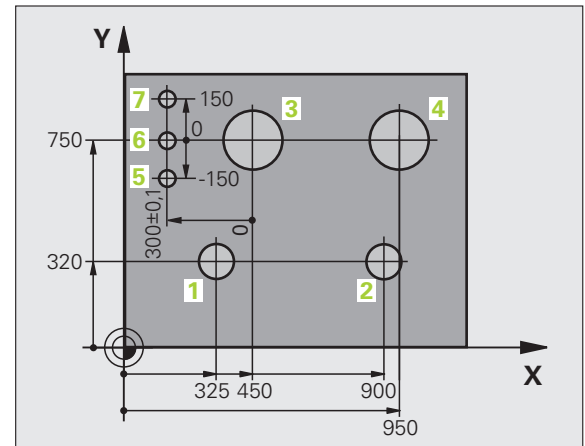
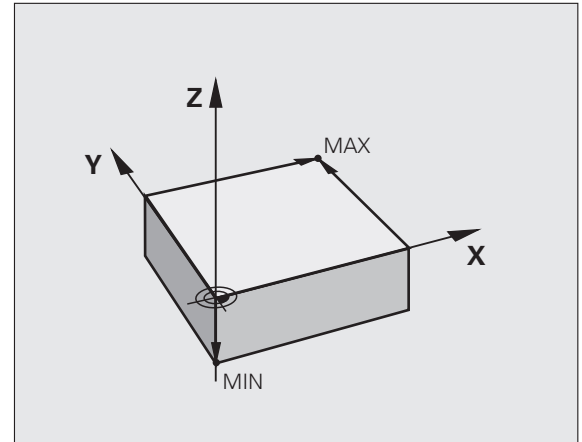
If the production drawing is dimensioned in relative coordinates, simply use the coordinate transformation cycles (see User's Manual for Cycles, Cycles for Coordinate Transformation).

If the production drawing is not dimensioned for NC, set the datum at a position or corner on the workpiece from which the dimensions of the remaining workpiece positions can be most easily measured.

The fastest, easiest and most accurate way of setting the datum is by using a 3-D touch probe from HEIDENHAIN. See "Setting the Datum with a 3-D Touch Probe" in the Touch Probe Cycles User's Manual.

Example

The workpiece drawing shows holes (1 to 4) whose dimensions are shown with respect to an absolute datum with the coordinates $X=0$ $Y=0$. Holes 5 to 7 are dimensioned with respect to a relative datum with the absolute coordinates $X=450$, $Y=750$. With the **DATUM SHIFT** cycle you can temporarily set the datum to the position $X=450$, $Y=750$, to be able to program holes 5 to 7 without further calculations.



3.2 Creating and Writing Programs

Organization of an NC program in HEIDENHAIN Conversational

A part program consists of a series of program blocks. The figure at right illustrates the elements of a block.

The TNC numbers the blocks in ascending sequence.

The first block of a program is identified by **BEGIN PGM**, the program name and the active unit of measure.

The subsequent blocks contain information on:

- Workpiece blank
- Tool calls
- Approaching a safe position
- Feed rates and spindle speeds, as well as
- Path contours, cycles and other functions

The last block of a program is identified by **END PGM** the program name and the active unit of measure.



After each tool call, HEIDENHAIN recommends always traversing to a safe position from which the TNC can position the tool for machining without causing a collision!

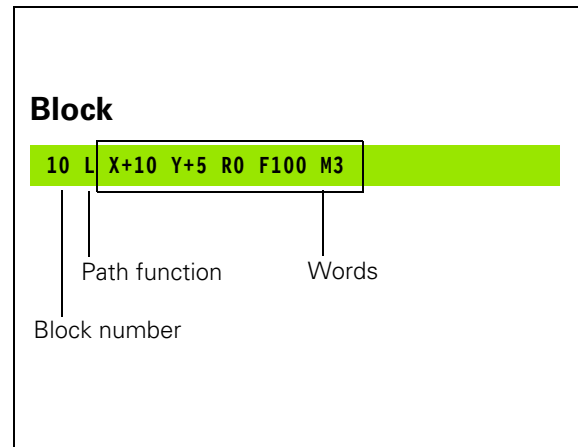
Define the blank: BLK FORM

Immediately after initiating a new program, you define a cuboid workpiece blank. If you wish to define the blank at a later stage, press the SPEC FCT key, the PROGRAM DEFAULTS soft key, and then the BLK FORM soft key. This definition is needed for the TNC's graphic simulation feature. The sides of the workpiece blank lie parallel to the X, Y and Z axes and can be up to 100 000 mm long. The blank form is defined by two of its corner points:

- MIN point: the smallest X, Y and Z coordinates of the blank form, entered as absolute values
- MAX point: the largest X, Y and Z coordinates of the blank form, entered as absolute or incremental values



You only need to define the workpiece blank if you wish to run a graphic test for the program!



Creating a new part program

You always enter a part program in the **Programming and Editing** mode of operation. An example of program initiation:



Select the **Programming and Editing** operating mode



Call the file manager: Press the PGM MGT key

Select the directory in which you wish to store the new program:

FILE NAME = ALT.H



Enter the new program name and confirm your entry with the ENT key



Select the unit of measure: Press the MM or INCH soft key. The TNC switches the screen layout and initiates the dialog for defining the **BLK FORM** (workpiece blank)

WORKING PLANE IN GRAPHIC: XY



Enter spindle axis, e.g. Z

WORKPIECE BLANK DEF.: MINIMUM

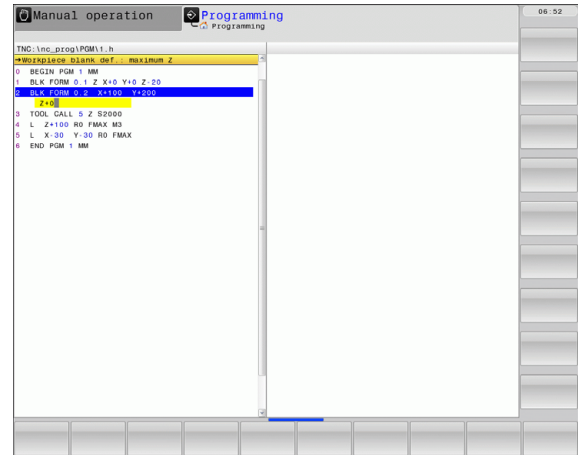


Enter in sequence the X, Y and Z coordinates of the MIN point and confirm each of your entries with the ENT key

WORKPIECE BLANK DEF.: MAXIMUM



Enter in sequence the X, Y and Z coordinates of the MAX point and confirm each of your entries with the ENT key



Example: Display the BLK form in the NC program

0 BEGIN PGM NEW MM	Program begin, name, unit of measure
1 BLK FORM 0.1 Z X+0 Y+0 Z-40	Spindle axis, MIN point coordinates
2 BLK FORM 0.2 X+100 Y+100 Z+0	MAX point coordinates
3 END PGM NEW MM	Program end, name, unit of measure

The TNC generates the block numbers as well as the **BEGIN** and **END** blocks automatically.



If you do not wish to define a blank form, cancel the dialog at **Working plane in graphic: XY** by pressing the DEL key.

The TNC can display the graphics only if the shortest side is at least 50 µm long and the longest side is no longer than 99 999.999 mm.



Programming tool movements in conversational format

To program a block, initiate the dialog by pressing a function key. In the screen header, the TNC then asks you for all the information necessary to program the desired function.

Example of a positioning block



Start block.

COORDINATES?



10

Enter the target coordinate for the X axis



20

ENT

Enter the target coordinate for the Y axis, and go to the next question with ENT

TOOL RADIUS COMP: RL/RR/NO COMP?

ENT

Enter "No radius compensation" and go to the next question with ENT

FEED RATE F=? / F MAX = ENT

100

ENT

Enter a feed rate of 100 mm/min for this path contour; go to the next question with ENT

MISCELLANEOUS FUNCTION M?

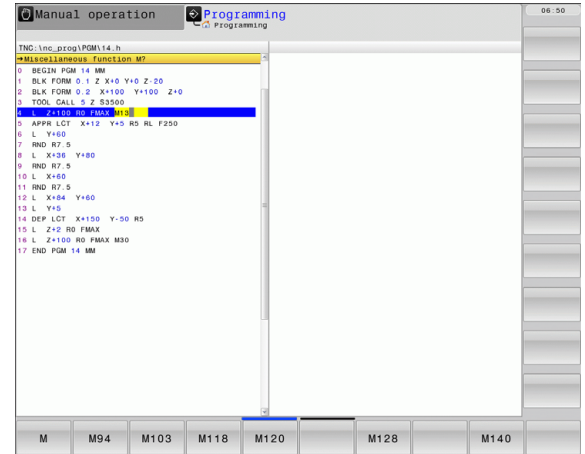
3

ENT






Enter the miscellaneous function **M3** "spindle ON." Pressing the ENT key terminates this dialog




The program-block window displays the following line:

```
3 L X+10 Y+5 R0 F100 M3
```



Possible feed rate input

Functions for setting the feed rate	Soft key
Rapid traverse, non-modal. Exception: If defined before an APPR block, FMAX is also in effect for moving to an auxiliary point (see "Important positions for approach and departure" on page 184)	
Traverse feed rate automatically calculated in TOOL CALL	
Move at the programmed feed rate (unit of measure is mm/min or 1/10 inch/min). With rotary axes, the TNC interprets the feed rate in degrees/min, regardless of whether the program is written in mm or inches	
Define the feed per revolution (units in mm/rev or inch/rev). Caution: In inch-programs, FU cannot be combined with M136	
Define the tooth feed (units in mm/tooth or inch/tooth). The number of teeth must be defined in the tool table in the CUT. column	

Functions for conversational guidance	Key
Ignore the dialog question	
End the dialog immediately	
Abort the dialog and erase the block	



Actual position capture

The TNC enables you to transfer the current tool position into the program, for example during

- Positioning-block programming
- Cycle programming

To transfer the correct position values, proceed as follows:

- ▶ Place the input box at the position in the block where you want to insert a position value



- ▶ Select the actual-position-capture function: In the soft-key row the TNC displays the axes whose positions can be transferred



- ▶ Select the axis: The TNC writes the current position of the selected axis into the active input box



In the working plane the TNC always captures the coordinates of the tool center, even though tool radius compensation is active.

In the tool axis the TNC always captures the coordinates of the tool tip and thus always takes the active tool length compensation into account.

The TNC keeps the soft-key row for axis selection active until you deactivate it by pressing the actual-position-capture key again. This behavior remains in effect even if you save the current block and open a new one with a path function key. If you select a block element in which you must choose an input alternative via soft key (e.g. for radius compensation), then the TNC also closes the soft-key row for axis selection.

The actual-position-capture function is not allowed if the tilted working plane function is active.




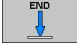









Editing a program







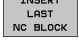


You cannot edit a program while it is being run by the TNC in a machine operating mode.

While you are creating or editing a part program, you can select any desired line in the program or individual words in a block with the arrow keys or the soft keys:

Function	Soft key/Keys
Go to previous page	
Go to next page	
Go to beginning of program	
Go to end of program	
Change the position of the current block on the screen. Press this soft key to display additional program blocks that are programmed before the current block	
Change the position of the current block on the screen. Press this soft key to display additional program blocks that are programmed after the current block	
Move from one block to the next	 
Select individual words in a block	 
To select a certain block, press the GOTO key, enter the desired block number, and confirm with the ENT key. Or: Enter the block number step and press the N LINES soft key to jump over the entered number of lines upward or downward	



Function	Soft key/Key
Set the selected word to zero	
Erase an incorrect number	
Clear a (non-blinking) error message	
Delete the selected word	
Delete the selected block	
Erase cycles and program sections	
Insert the block that you last edited or deleted	

Inserting blocks at any desired location

- ▶ Select the block after which you want to insert a new block and initiate the dialog

Editing and inserting words

- ▶ Select a word in a block and overwrite it with the new one. The plain-language dialog is available while the word is highlighted
- ▶ To accept the change, press the END key

If you want to insert a word, press the horizontal arrow key repeatedly until the desired dialog appears. You can then enter the desired value.



Looking for the same words in different blocks

To use this function, set the AUTO DRAW soft key to OFF.



To select a word in a block, press the arrow keys repeatedly until the highlight is on the desired word



Select a block with the arrow keys

The word that is highlighted in the new block is the same as the one you selected previously.



If you have started a search in a very long program, the TNC shows a progress display window. You then have the option of canceling the search via soft key.

Finding any text

- ▶ To select the search function, press the FIND soft key. The TNC displays the **Find text:** dialog prompt
- ▶ Enter the text that you wish to find
- ▶ To find the text, press the EXECUTE soft key



Marking, copying, deleting and inserting program sections

The TNC provides certain functions for copying program sections within an NC program or into another NC program—see the table below.

To copy a program section, proceed as follows:

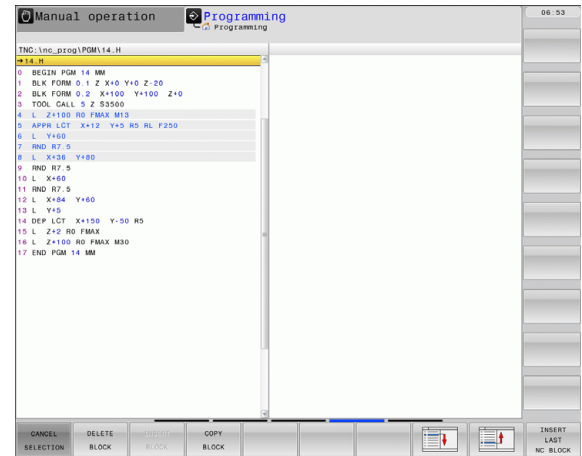
- ▶ Select the soft-key row containing the marking functions
- ▶ Select the first (last) block of the section you wish to copy
- ▶ To mark the first (last) block, press the SELECT BLOCK soft key. The TNC then highlights the first character of the block and the CANCEL SELECTION soft key appears
- ▶ Move the highlight to the last (first) block of the program section you wish to copy or delete. The TNC shows the marked blocks in a different color. You can end the marking function at any time by pressing the CANCEL SELECTION soft key
- ▶ To copy the selected program section, press the COPY BLOCK soft key. To delete the selected section, press the DELETE BLOCK soft key. The TNC stores the selected block
- ▶ Using the arrow keys, select the block after which you wish to insert the copied (deleted) program section



To insert the section into another program, select the corresponding program using the file manager and then mark the block after which you wish to insert the copied block.

- ▶ To insert the block, press the INSERT BLOCK soft key
- ▶ To end the marking function, press the CANCEL SELECTION soft key

Function	Soft key
Switch the marking function on	SELECT BLOCK
Switch the marking function off	CANCEL SELECTION
Delete the marked block	OUT OUT BLOCK
Insert the block that is stored in the buffer memory	INSERT BLOCK
Copy the marked block	COPY BLOCK



The TNC search function

The search function of the TNC enables you to search for any text within a program and replace it by a new text, if required.

Finding any text

- ▶ If required, select the block containing the word you wish to find

FIND

- ▶ Select the search function: The TNC superimposes the search window and displays the available search functions in the soft-key row (see table of search functions)

X +40

- ▶ Enter the text to be searched for. Please note that the search is case-sensitive

FIND

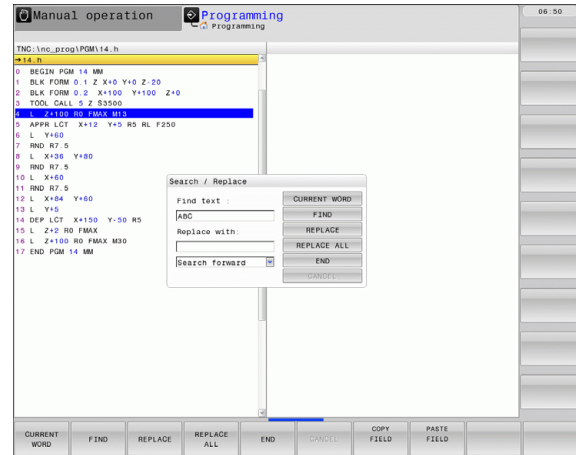
- ▶ Start the search process: The TNC moves to the next block containing the text you are searching for

FIND

- ▶ Repeat the search process: The TNC moves to the next block containing the text you are searching for

END

- ▶ End the search function



Finding/Replacing any text



The find/replace function is not possible if

- a program is protected
- the program is currently being run by the TNC

When using the REPLACE ALL function, ensure that you do not accidentally replace text that you do not want to change. Once replaced, such text cannot be restored.

- ▶ If required, select the block containing the word you wish to find.



- ▶ Select the Search function: The TNC superimposes the search window and displays the available search functions in the soft-key row



- ▶ Enter the text to be searched for. Please note that the search is case-sensitive. Then confirm with the ENT key



- ▶ Enter the text to be inserted. Please note that the entry is case-sensitive



- ▶ Start the search process: The TNC moves to the next occurrence of the text you are searching for



- ▶ To replace the text and then move to the next occurrence of the text, press the REPLACE soft key. To replace all text occurrences, press the REPLACE ALL soft key. To skip the text and move to its next occurrence press the FIND soft key



- ▶ End the search function



3.3 File Management: Fundamentals

Files

Files in the TNC	Type
Programs	
In HEIDENHAIN format	.H
In DIN/ISO format	.I
Tables for	
Tools	.T
Tool changers	.TCH
Pallets	.P
Datums	.D
Points	.PNT
Presets	.PR
Touch probes	.TP
Turning tools	.TRN
Backup files	.BAK
Dependent data (such as structure items)	.DEP
Texts as	
ASCII files	.A
Log files	.TXT
Help files	.CHM

When you write a part program on the TNC, you must first enter a program name. The TNC saves the program to the hard disk as a file with the same name. The TNC can also save texts and tables as files.

The TNC provides a special file management window in which you can easily find and manage your files. Here you can call, copy, rename and erase files.

You can manage an almost unlimited number of files with the TNC. The available memory is at least **21 GB**. A single NC program can be up to **2 GB** in size.



Depending on the setting, the TNC generates a backup file (*.bak) after editing and saving of NC programs. This can reduce the memory space available to you.



File names

When you store programs, tables and texts as files, the TNC adds an extension to the file name, separated by a point. This extension indicates the file type.

PROG20	.H
File name	File type

File names should not exceed 25 characters, otherwise the TNC cannot display the entire file name.

File names on the TNC must comply with this standard: The Open Group Base Specifications Issue 6 IEEE Std 1003.1, 2004 Edition (Posix-Standard). Accordingly, the file names may include the characters below:

A B C D E F G H I J K L M N O P Q R S T U V W X Y Z a b c d e f g h i
j k l m n o p q r s t u v w x y z 0 1 2 3 4 5 6 7 8 9 . _ -

You should not use any other characters in file names in order to prevent any file transfer problems.



The maximum limit for the path and file name together is 82 characters (see "Paths" on page 100).



Showing externally created files on the TNC

The TNC features several additional tools which you can use to display the files shown in the table below. Some of the files can also be edited.

File types	Type
PDF files	pdf
Excel spreadsheets	xls
Internet files	csv html
Text files	txt ini
Image files	bmp gif jpg png

For further information about displaying and editing the listed file types: See "Additional tools for management of external file types" on page 114..

Data backup

We recommend saving newly written programs and files on a PC at regular intervals.

The TNCremoNT data transmission freeware from HEIDENHAIN is a simple and convenient method for backing up data stored on the TNC.

You additionally need a data medium on which all machine-specific data, such as the PLC program, machine parameters, etc., are stored. Ask your machine manufacturer for assistance, if necessary.



Saving the contents of the entire hard disk (> 2 GB) can take up to several hours. In this case, it is a good idea to save the data outside of work hours, e.g. during the night.

Take the time occasionally to delete any unneeded files so that the TNC always has enough hard-disk space for system files (such as the tool table).



Depending on operating conditions (e.g., vibration load), hard disks generally have a higher failure rate after three to five years of service. HEIDENHAIN therefore recommends having the hard disk inspected after three to five years.



3.4 Working with the File Manager

Directories

To ensure that you can easily find your files, we recommend that you organize your hard disk into directories. You can divide a directory into further directories, which are called subdirectories. With the `-/+` key or `ENT` you can show or hide the subdirectories.

Paths

A path indicates the drive and all directories and subdirectories under which a file is saved. The individual names are separated by a backslash `"\"`.



The path, including all drive characters, directory and the file name, including the extension, must not exceed 82 characters!

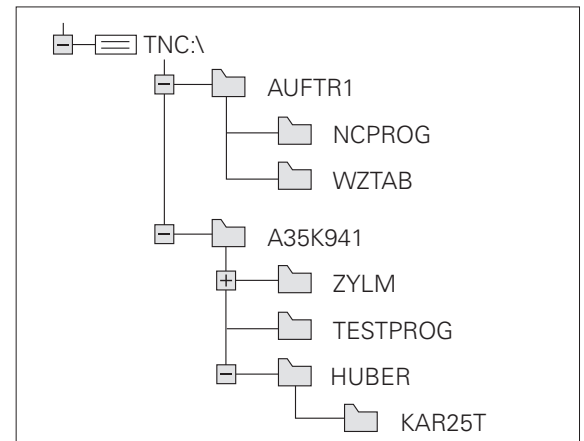
Drive designations must not include more than 8 uppercase letters.

Example

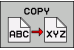


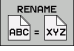

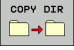

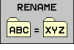

The directory **AUFTR1** was created on the **TNC:** drive. Then, in the **AUFTR1** directory, the directory **NCPROG** was created and the part program **PROG1.H** was copied into it. The part program now has the following path:

TNC:\AUFTR1\NCPROG\PROG1.H

The chart at right illustrates an example of a directory display with different paths.



Overview: Functions of the file manager

Function	Soft key	Page
Copy a file		Page 106
Display a specific file type		Page 103
Create new file		Page 105
Display the last 10 files that were selected		Page 109
Delete a file or directory		Page 109
Tag a file		Page 111
Rename a file		Page 112
Protect a file against editing and erasure		Page 113
Cancel file protection		Page 113
Import tool table		Page 156
Manage network drives		Page 121
Select editor		Page 113
Sort files by properties		Page 112
Copy a directory		Page 108
Delete directory with all its subdirectories		
Display all the directories of a particular drive		
Rename a directory		
Create a new directory		



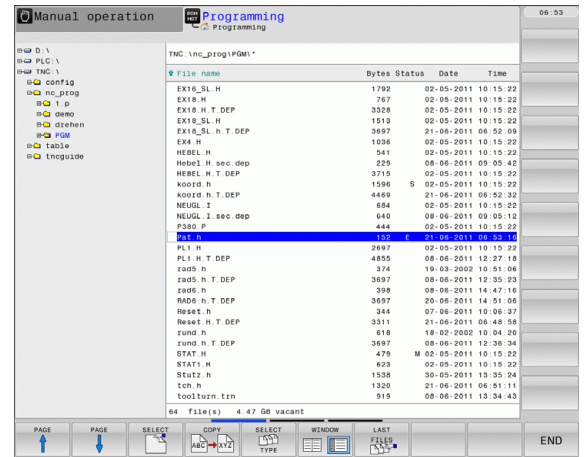
Calling the file manager



PGM MGT

Press the PGM MGT key: The TNC displays the file management window (see figure for default setting). If the TNC displays a different screen layout, press the WINDOW soft key.)

The narrow window on the left shows the available drives and directories. Drives designate devices with which data are stored or transferred. One drive is the hard disk of the TNC. Other drives are the interfaces (RS232, Ethernet), which can be used, for example, for connecting a personal computer. A directory is always identified by a folder symbol to the left and the directory name to the right. Subdirectories are shown to the right of and below their parent directories. A triangle in front of the folder symbol indicates that there are further subdirectories, which can be shown with the -/+ or ENT keys.

The wide window on the right shows you all files that are stored in the selected directory. Each file is shown with additional information, illustrated in the table below.



Display	Meaning
File name	Name with max. 25 characters
Type	File type
Bytes	File size in bytes
Status	File properties:
E	Program is selected in the Programming mode of operation
S	Program is selected in the Test Run mode of operation
M	Program is selected in a Program Run mode of operation
	File is protected against erasing and editing
	File is protected against erasing and editing, because it is being run
Date	Date that the file was last edited
Time	Time that the file was last edited



Selecting drives, directories and files



Call the file manager

Use the arrow keys or the soft keys to move the highlight to the desired position on the screen:



Moves the highlight from the left to the right window, and vice versa



Moves the highlight up and down within a window



Moves the highlight one page up or down within a window

Step 1: Select drive

Move the highlight to the desired drive in the left window:



To select a drive, press the SELECT soft key, or



Press the ENT key

Step 2: Select a directory

Move the highlight to the desired directory in the left-hand window—the right-hand window automatically shows all files stored in the highlighted directory



Step 3: Select a file



Press the SELECT TYPE soft key



Press the soft key for the desired file type, or



Press the SHOW ALL soft key to display all files, or

Move the highlight to the desired file in the right window:



Press the SELECT soft key, or




Press the ENT key

The TNC opens the selected file in the operating mode from which you called the file manager




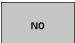
Creating a new directory

Move the highlight in the left window to the directory in which you want to create a subdirectory

NEW  Enter the new file name, and confirm with ENT

CREATE \NEW DIRECTORY?


 Press the YES soft key to confirm, or


 Abort with the NO soft key

Creating a new file

Select the directory in which you wish to create the new file

NEW  Enter the new file name with the file extension, and confirm with ENT

 Open the dialog box for creating a new file

NEW  Enter the new file name with the file extension, and confirm with ENT



Copying a single file

- ▶ Move the highlight to the file you wish to copy



- ▶ Press the COPY soft key to select the copy function. The TNC opens a pop-up window



- ▶ Enter the name of the target file and confirm your entry with the ENT key or OK soft key: the TNC copies the file to the active directory or to the selected target directory. The original file is retained.



- ▶ Press the Target Directory soft key to call a pop-up window in which you select the target directory by pressing the ENT key or the OK soft key: the TNC copies the file to the selected directory. The original file is retained.



When the copying process has been started with ENT or the OK soft key, the TNC displays a pop-up window with a progress indicator.



Copying files into another directory

- ▶ Select a screen layout with two equally sized windows
- ▶ To display directories in both windows, press the PATH soft key

In the right window

- ▶ Move the highlight to the directory into which you wish to copy the files, and display the files in this directory with the ENT key

In the left window

- ▶ Select the directory containing the files that you wish to copy and press ENT to display them



- ▶ Call the file tagging functions



- ▶ Move the highlight to the file you want to copy and tag it. You can tag several files in this way, if desired



- ▶ Copy the tagged files into the target directory

Additional tagging functions: see "Marking files", page 111.

If you have tagged files in both the left and right windows, the TNC copies from the directory in which the highlight is located.

Overwriting files

If you copy files into a directory in which other files are stored under the same name, the TNC will ask whether the files in the target directory should be overwritten:

- ▶ To overwrite all files ("Existing files" check box selected), press the OK soft key, or
- ▶ Press the CANCEL soft key if no file is to be overwritten

If you wish to overwrite a protected file, you need to select the "Protected files" check box or cancel the copy operation.



Copying a table

Importing lines to a table

When copying a table to an existing table, you can use the REPLACE FIELDS soft key to overwrite individual lines. Prerequisites:

- The target table must already exist
- The file to be copied must only contain the lines you want to replace
- Both tables must have the same file extension



The **REPLACE FIELDS** function is used to overwrite lines in the target table. To avoid losing data, create a backup copy of the original table.

Example

With a tool presetter you have measured the length and radius of ten new tools. The tool presetter then generates the TOOL_Import.T tool table with 10 lines (for the 10 tools).

- ▶ Copy this table from the external data medium to any directory.
- ▶ Copy the externally created table to the existing table using the TNC file management. The TNC asks if you wish to overwrite the existing TOOL.T tool table:
- ▶ If you press the **YES** soft key, the TNC will completely overwrite the current TOOL.T tool table. After the copying process the new TOOL.T table consists of 10 lines.
- ▶ Or press the **REPLACE FIELDS** soft key for the TNC to overwrite the 10 lines in the TOOL.T file. The data of the other lines is not changed.

Extracting lines from a table

You can select one or more lines in a table and save them in a separate table.

- ▶ Open the table from which you want to copy lines
- ▶ Use the arrow keys to select the first line to be copied
- ▶ Press the **MORE FUNCTIONS** soft key
- ▶ Press the **TAG** soft key
- ▶ Select additional lines, if required
- ▶ Press the **SAVE AS** soft key
- ▶ Enter a name for the table in which the selected lines are to be saved

Copying a directory

- ▶ Move the highlight in the right window onto the directory you want to copy
- ▶ Press the COPY soft key: the TNC opens the window for selecting the target directory
- ▶ Select the target directory and confirm with ENT or the OK soft key: The TNC copies the selected directory and all its subdirectories to the selected target directory

Choosing one of the last files selected



Call the file manager



Display the last 10 files selected: Press the LAST FILES soft key

Use the arrow keys to move the highlight to the file you wish to select:



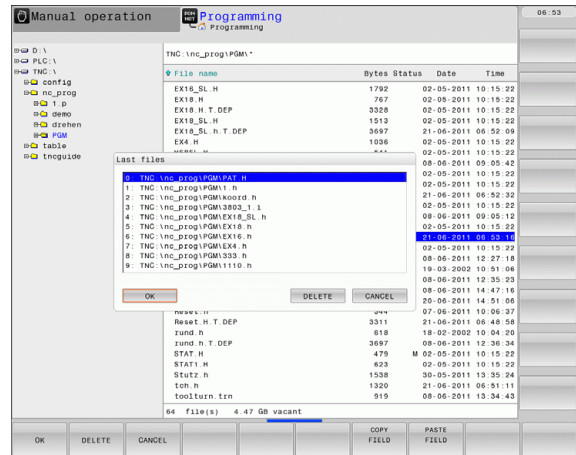
Moves the highlight up and down within a window



To select the file, press the OK soft key, or



Press the ENT key



Deleting a file



Caution: Data may be lost!

Once you delete files they cannot be restored!

▶ Move the highlight to the file you want to delete



▶ To select the erasing function, press the DELETE soft key. The TNC asks whether you really want to delete the file

▶ To confirm, press the OK soft key, or

▶ To cancel deletion, press the CANCEL soft key



Deleting a directory

**Caution: Data may be lost!**

Once you delete files they cannot be restored!





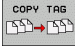
- ▶ Move the highlight to the directory you want to delete



- ▶ To select the erasing function, press the DELETE soft key. The TNC inquires whether you really intend to delete the directory and all its subdirectories and files
- ▶ To confirm, press the OK soft key, or
- ▶ To cancel deletion, press the CANCEL soft key





Marking files



Marking function	Soft key
Mark a single file	
Mark all files in the directory	
Unmark a single file	
Unmark all files	
Copy all marked files	


Some functions, such as copying or erasing files, can not only be used for individual files, but also for several files at once. To mark several files, proceed as follows:

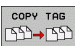
Move the highlight to the first file



 To display the marking functions, press the TAG soft key

 Mark a file by pressing the TAG FILE soft key

  Move the highlight to the next file you wish to mark: Only works via soft keys. Do not use the arrow keys!

 To mark further files, press the TAG FILE soft key, etc.

 To copy the marked files, press the COPY TAG soft key, or

  Delete the marked files by pressing END to end the marking function, and then the DELETE soft key to delete the marked files



Renaming a file

- ▶ Move the highlight to the file you wish to rename



- ▶ Select the renaming function
- ▶ Enter the new file name; the file type cannot be changed
- ▶ To rename: Press the OK soft key or the ENT key

File sorting

- ▶ Select the folder in which you wish to sort the files



- ▶ Select the SORT soft key
- ▶ Select the soft key with the corresponding display criterion



Additional functions

Protecting a file / Canceling file protection

- ▶ Move the highlight to the file you want to protect



- ▶ To select the additional functions, press the MORE FUNCTIONS soft key



- ▶ To activate file protection, press the PROTECT soft key. The file now has status P



- ▶ To cancel file protection, press the UNPROTECT soft key

Selecting the editor

- ▶ Move the highlight in the right window onto the file you want to open



- ▶ To select the additional functions, press the MORE FUNCTIONS soft key



- ▶ To select the editor with which to open the selected file, press the SELECT EDITOR soft key
- ▶ Mark the desired editor
- ▶ Press the OK soft key to open the file

Connecting/removing a USB device

- ▶ Move the highlight to the left window



- ▶ To select the additional functions, press the MORE FUNCTIONS soft key



- ▶ Shift the soft-key row
- ▶ Search for a USB device



- ▶ In order to remove the USB device, move the highlight to the USB device
- ▶ Remove the USB device

For more information: See "USB devices on the TNC" on page 122.



Additional tools for management of external file types

With the additional tools you can display or edit various externally created file types on the TNC.

File types	Description
PDF files (pdf)	Page 114
Excel spreadsheets (xls, csv)	Page 115
Internet files (htm, html)	Page 115
ZIP archive (zip)	Page 116
Text files (ASCII files, e.g. txt, ini)	Page 117
Image files (bmp, jpg, gif, png)	Page 118



If you transfer files from a PC to the control by means of TNCremoNT, you must have entered the file name extensions pdf, xls, zip, bmp, gif, jpg and png in the list of the file types for binary transmission (menu item **>Extras >Configuration >Mode** in TNCremoNT).

Displaying PDF files

To open PDF files directly on the TNC, proceed as follows:

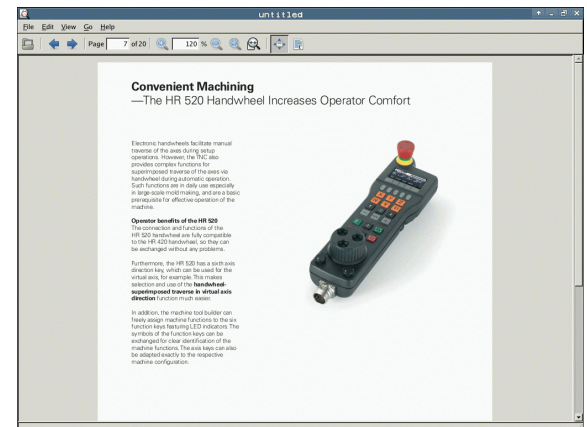
- ▶ Call the file manager
- ▶ Select the directory in which the PDF file is saved
- ▶ Move the highlight to the PDF file
- ▶ Press ENT: The TNC opens the PDF file in its own application using the **PDF viewer** additional tool

With the key combination ALT+TAB you can always return to the TNC user interface while leaving the PDF file open. Alternatively, you can also click the corresponding symbol in the task bar to switch back to the TNC interface.

If you position the mouse pointer over a button, a brief tooltip explaining the function of this button will be displayed. More information on how to use the **PDF viewer** is provided under **Help**.

To exit the **PDF viewer**, proceed as follows:

- ▶ Use the mouse to select the **File** menu item
- ▶ Select the menu item **Close**: The TNC returns to the file manager



Displaying and editing Excel files

Proceed as follows to open and edit Excel files with the extension **xls** or **csv** directly on the TNC:

PGM
MGT

- ▶ Call the file manager
- ▶ Select the directory in which the Excel file is saved
- ▶ Move the highlight to the Excel file

ENT

- ▶ Press ENT: The TNC opens the Excel file in its own application using the **Gnumeric** additional tool

With the key combination ALT+TAB you can always return to the TNC user interface while leaving the Excel file open. Alternatively, you can also click the corresponding symbol in the task bar to switch back to the TNC interface.

If you position the mouse pointer over a button, a brief tooltip explaining the function of this button will be displayed. More information on how to use the **Gnumeric** function is provided under **Help**.

To exit **Gnumeric**, proceed as follows:

- ▶ Use the mouse to select the **File** menu item
- ▶ Select the menu item **Quit**: The TNC returns to the file manager

Displaying Internet files

To open Internet files with the extension **htm** or **html** directly on the TNC, proceed as follows:

PGM
MGT

- ▶ Call the file manager
- ▶ Select the directory in which the Internet file is saved
- ▶ Move the highlight to the Internet file

ENT

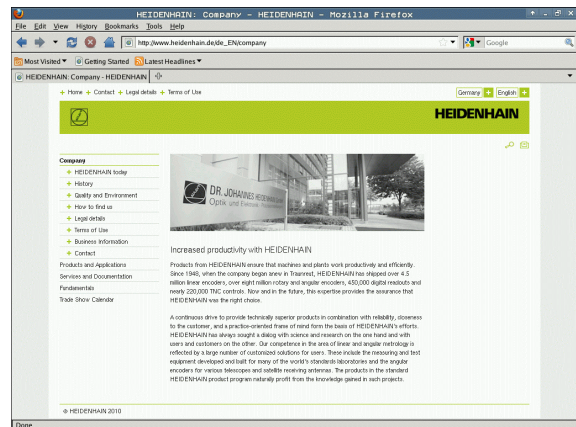
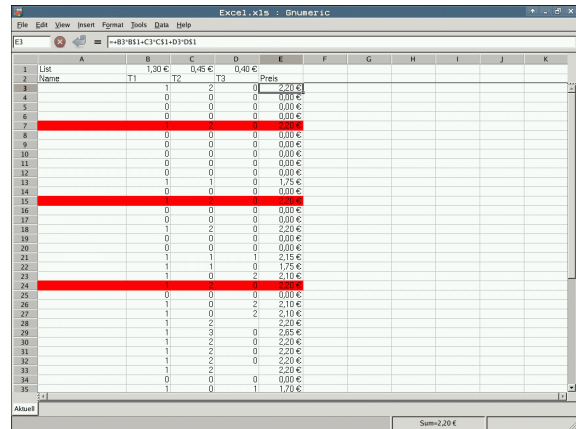
- ▶ Press ENT: The TNC opens the Internet file in its own application using the **Mozilla Firefox** additional tool

With the key combination ALT+TAB you can always return to the TNC user interface while leaving the Internet file open. Alternatively, you can also click the corresponding symbol in the task bar to switch back to the TNC interface.

If you position the mouse pointer over a button, a brief tooltip explaining the function of this button will be displayed. More information on how to use **Mozilla Firefox** is provided under **Help**.

To exit **Mozilla Firefox**, proceed as follows:

- ▶ Use the mouse to select the **File** menu item
- ▶ Select the menu item **Quit**: The TNC returns to the file manager



Working with ZIP archives

To open ZIP archives with the extension **zip** directly on the TNC, proceed as follows:

PGM
MGT

- ▶ Call the file manager
- ▶ Select the directory in which the archive file is saved
- ▶ Move the highlight to the archive file

ENT

- ▶ Press ENT: The TNC opens the archive file in its own application using the **Xarchiver** additional tool

With the key combination ALT+TAB you can always return to the TNC user interface while leaving the archive file open. Alternatively, you can also click the corresponding symbol in the task bar to switch back to the TNC interface.

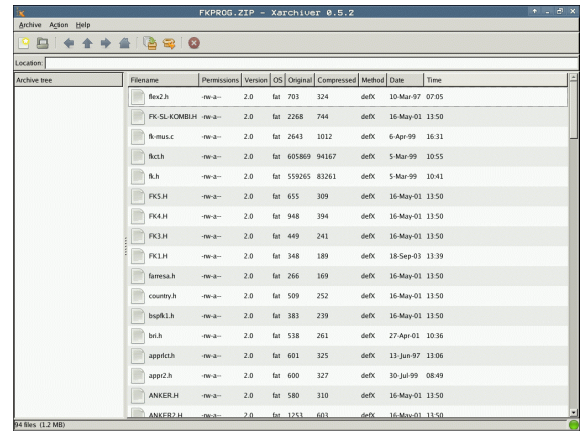
If you position the mouse pointer over a button, a brief tooltip explaining the function of this button will be displayed. More information on how to use the **Xarchiver** function is provided under **Help**.



Please note that the TNC does not carry out any binary-to-ASCII conversion or vice versa when compressing or decompressing NC programs and NC tables. When such files are transferred to TNC controls using other software versions, the TNC may not be able to read them.

To exit **Xarchiver**, proceed as follows:

- ▶ Use the mouse to select the **Archive** menu item
- ▶ Select the menu item **Quit**: The TNC returns to the file manager



Displaying or editing text files

To open and edit text files (ASCII files, e.g. with the extension **txt** or **ini**), proceed as follows:

PGM
MGT

- ▶ Call the file manager
- ▶ Select the drive and the directory in which the text file is saved
- ▶ Move the highlight to the text file

ENT

- ▶ Press the ENT key: The TNC displays a window for selection of the editor
- ▶ Press ENT to select the **Mousepad** application. Alternatively, you can also open the TXT files with the TNC's internal text editor
- ▶ The TNC opens the text file in its own application using the **Mousepad** additional tool



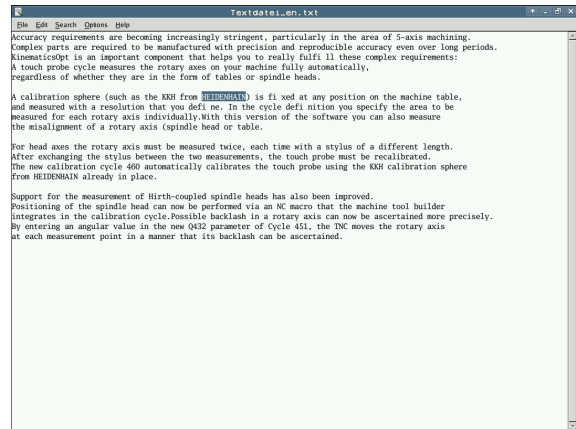
If you open an H or I file on an external drive and save it on the TNC drive using **Mousepad**, the programs are not converted automatically to the internal control format. Programs that are saved in this way cannot be run or opened with the TNC editor.

With the key combination ALT+TAB you can always return to the TNC user interface while leaving the text file open. Alternatively, you can also click the corresponding symbol in the task bar to switch back to the TNC interface.

The shortcuts you are familiar with from Windows, which you can use to edit texts quickly (CTRL+C, CTRL+V,...), are available within Mousepad.

To exit **Mousepad**, proceed as follows:

- ▶ Use the mouse to select the **File** menu item
- ▶ Select the menu item **Quit**: The TNC returns to the file manager



Displaying image files

To open image files with the extension bmp, gif, jpg or png directly on the TNC, proceed as follows:

- ▶ Call the file manager
- ▶ Select the directory in which the image file is saved
- ▶ Move the highlight to the image file
- ▶ Press ENT: The TNC opens the image file in its own application using the **ristretto** additional tool

With the key combination ALT+TAB you can always return to the TNC user interface while leaving the image file open. Alternatively, you can also click the corresponding symbol in the task bar to switch back to the TNC interface.

More information on how to use the **ristretto** function is provided under **Help**.

To exit **ristretto**, proceed as follows:

- ▶ Use the mouse to select the **File** menu item
- ▶ Select the menu item **Quit**: The TNC returns to the file manager



Data transfer to or from an external data medium



Before you can transfer data to an external data medium, you must set up the data interface (see "Setting the Data Interfaces" on page 516).

Depending on the data transfer software you use, problems can occur occasionally when you transmit data over a serial interface. They can be overcome by repeating the transmission.



Call the file manager



Select the screen layout for data transfer: press the WINDOW soft key. In the left half of the screen the TNC shows all files in the current directory. In the right half of the screen it shows all files saved in the root directory (TNC:\)

Use the arrow keys to highlight the file(s) that you want to transfer:

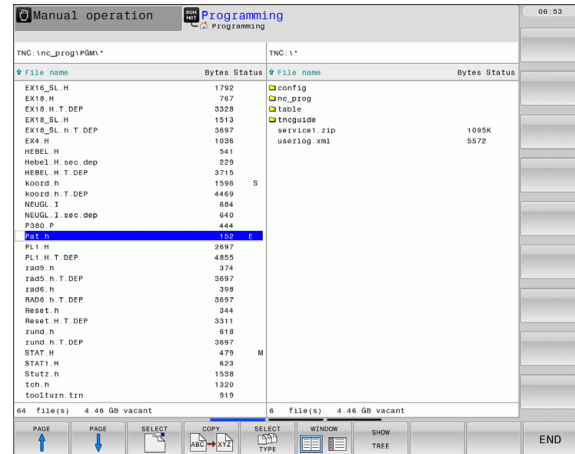


Moves the highlight up and down within a window



Moves the highlight from the left to the right window, and vice versa

If you wish to copy from the TNC to the external data medium, move the highlight in the left window to the file to be transferred.



If you wish to copy from the external data medium to the TNC, move the highlight in the right window to the file to be transferred.



To select another drive or directory: Press the soft key for choosing the directory. The TNC opens a pop-up window. Select the desired directory in the pop-up window by using the arrow keys and the ENT key



Transfer a single file: Press the COPY soft key, or



To transfer several files, press the TAG soft key (in the second soft-key row, see "Marking files", page 111)

Confirm with the OK soft key or with the ENT key. A status window appears on the TNC, informing about the copying progress, or



To end data transfer, move the highlight into the left window and then press the WINDOW soft key. The standard file manager window is displayed again



To select another directory in the split-screen display, press the SHOW TREE soft key. If you press the SHOW FILES soft key, the TNC shows the content of the selected directory!

The TNC in a network



To connect the Ethernet card to your network, see "Ethernet Interface", page 521.

The TNC logs error messages during network operation, see "Ethernet Interface", page 521.

If the TNC is connected to a network, the directory window displays additional drives (see figure). All the functions described above (selecting a drive, copying files, etc.) also apply to network drives, provided that you have been granted the corresponding rights.

Connecting and disconnecting a network drive

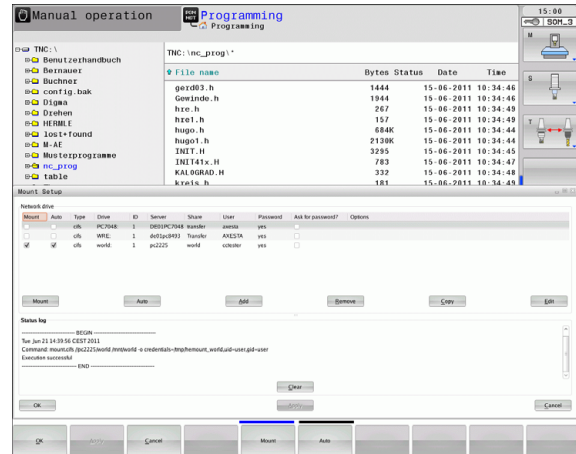
PGM MGT

▶ To select the program management: Press the PGM MGT key. If necessary, press the WINDOW soft key to set up the screen as it is shown at the upper right

NET

▶ To select the network settings: Press the NETWORK soft key (second soft key row).

▶ To manage the network drives: Press the DEFINE NETWORK CONNECTN. soft key. The TNC displays possible network drives to which you have access in a window. The soft keys described below are used to define the connection for each drive



Function	Soft key
Establish the network connection. If the connection is active, the TNC marks the Mount column.	Connect
Delete the network connection	Unmount
Automatically establish network connection whenever the TNC is switched on. The TNC marks the Auto column if the connection is established automatically	Auto
Set up new network connection	Add
Delete existing network connection	Remove
Copy network connection	Copy
Edit network connection	Edit
Clear status window	Clear



USB devices on the TNC

Backing up data from or loading onto the TNC is especially easy with USB devices. The TNC supports the following USB block devices:

- Floppy disk drives with FAT/VFAT file system
- Memory sticks with the FAT/VFAT file system
- Hard disks with the FAT/VFAT file system
- CD-ROM drives with the Joliet (ISO 9660) file system

The TNC automatically detects these types of USB devices when connected. The TNC does not support USB devices with other file systems (such as NTFS). The TNC displays the **USB: TNC does not support device** error message when such a device is connected.



The TNC also displays the **USB: TNC does not support device** error message if you connect a USB hub. In this case, simply acknowledge the message with the CE key.

In theory, you should be able to connect all USB devices with the file systems mentioned above to the TNC. It may happen that a USB device is not identified correctly by the control. In such cases, use another USB device.

The USB devices appear as separate drives in the directory tree, so you can use the file-management functions described in the earlier chapters correspondingly.



Your machine tool builder can assign permanent names for USB devices. Refer to your machine manual.

To remove a USB device, proceed as follows:



- ▶ Call the file manager: Press the PGM MGT key



- ▶ Select the left window with the arrow key



- ▶ Use the arrow keys to select the USB device to be removed



- ▶ Scroll through the soft-key row



- ▶ Select additional functions



- ▶ Select the function for removing USB devices. The TNC removes the USB device from the directory tree



- ▶ Exit the file manager

In order to re-establish a connection with a USB device that has been removed, press the following soft key:



- ▶ Select the function for reconnection of USB devices





4

**Programming:
Programming Aids**



4.1 Adding Comments

Application

You can add comments to a part program to explain program steps or make general notes.



If the TNC cannot show the entire comment on the screen, the >> sign is displayed.

The last character in a comment block must not have any tilde (~).

There are three possibilities for adding comments:

Entering comments during programming

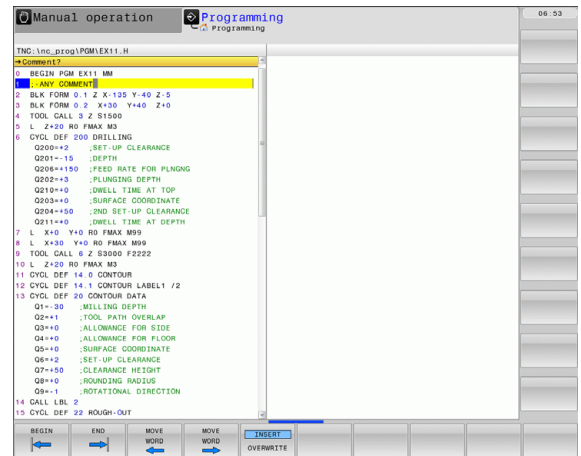
- ▶ Enter the data for a program block, then press the semicolon key “;” on the alphabetic keyboard—the TNC displays the dialog prompt **COMMENT?**
- ▶ Enter your comment and conclude the block by pressing the END key.

Inserting comments after program entry


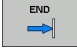


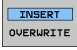
- ▶ Select the block to which a comment is to be added.
- ▶ Select the last word in the block with the right arrow key: A semicolon appears at the end of the block and the TNC displays the dialog prompt **COMMENT?**
- ▶ Enter your comment and conclude the block by pressing the END key.

Entering a comment in a separate block

- ▶ Select the block after which the comment is to be inserted
- ▶ Initiate the programming dialog with the semicolon key (;) on the alphabetic keyboard.
- ▶ Enter your comment and conclude the block by pressing the END key.



Functions for editing of the comment

Function	Soft key
Jump to beginning of comment	
Jump to end of comment.	
Jump to the beginning of a word. Words must be separated by a space	
Jump to the end of a word. Words must be separated by a space	
Switch between insert mode and overwrite mode	



4.2 Display of NC Programs

Syntax highlighting

The TNC displays syntax elements with various colors according to their meaning. Programs are made more legible and clear with color-highlighting.

Color highlighting of syntax elements:

Application	Color
Standard color	Black
Display of comments	Green
Display of numerical values	Blue
Block number	Purple

Scrollbar

You can move the screen content with the mouse via the scrollbar on the right edge of the program window. In addition, the size and position of the scrollbar indicates program length and cursor position.

```

TNC:Inc_prog1POM1EX11.H
+Comment?
1 BEGIN PGM EX11.M
2 ANY COMMENT
2 BLK FORM 0.1 Z X-105 Y-40 Z-5
3 BLK FORM 0.2 X+50 Y+40 Z+0
4 TOOL CALL 9 Z S1500
5 L Z+20 R0 FMAX M3
6 CYCL DEF 200 DRILLING
  Q200=+0 .SET-UP CLEARANCE
  Q201=-15 .DEPTH
  Q206=+150 .FEED RATE FOR PLNGNG
  Q202=+0 .PLUNGING DEPTH
  Q210=+0 .DWELL TIME AT TOP
  Q203=+0 .SURFACE COORDINATE
  Q204=+50 .2ND SET-UP CLEARANCE
  Q211=+0 .DWELL TIME AT DEPTH
7 L X+0 Y+0 R0 FMAX M99
8 L X+50 Y+0 R0 FMAX M99
9 TOOL CALL 6 Z S3000 F2222
10 L Z+20 R0 FMAX M3
11 CYCL DEF 14.0 CONTOUR
12 CYCL DEF 14.1 CONTOUR LABEL1 /2
13 CYCL DEF 20 CONTOUR DATA
  Q1=+0 .DRILLING DEPTH
  Q2=+1 .TOOL PATH OVERLAP
  Q3=+0 .ALLOWANCE FOR SIDE
  Q4=+0 .ALLOWANCE FOR FLOOR
  Q5=+0 .SURFACE COORDINATE
  Q6=+2 .SET-UP CLEARANCE
  Q7=+50 .CLEARANCE HEIGHT
  Q8=+0 .ROUNDING RADIUS
  Q9=+1 .ROTATIONAL DIRECTION
14 CALL LBL 2
15 CYCL DEF 22 ROUGH-OUT
  
```



4.3 Structuring Programs

Definition and applications

This TNC function enables you to comment part programs in structuring blocks. Structuring blocks are short texts with up to 37 characters and are used as comments or headlines for the subsequent program lines.

With the aid of appropriate structuring blocks, you can organize long and complex programs in a clear and comprehensible manner.

This function is particularly convenient if you want to change the program later. Structuring blocks can be inserted into the part program at any point. They can also be displayed in a separate window, and edited or added to, as desired.

The inserted structure items are managed by the TNC in a separate file (extension: .SEC.DEF). This speeds navigation in the program structure window.

Displaying the program structure window / Changing the active window



- ▶ To display the program structure window, select the screen display PROGRAM+SECTS



- ▶ To change the active window, press the "Change window" soft key

Inserting a structuring block in the (left) program window

- ▶ Select the block after which the structuring block is to be inserted



- ▶ Press the INSERT SECTION soft key or the * key on the ASCII keyboard

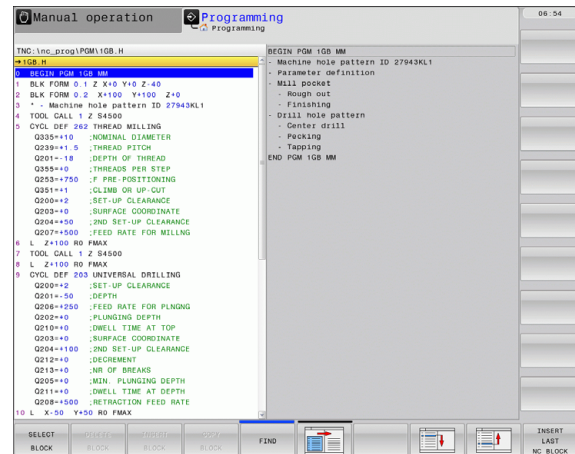
- ▶ Enter the structuring text with the alphabetic keyboard



- ▶ If necessary, change the structure depth with the soft key

Selecting blocks in the program structure window

If you are scrolling through the program structure window block by block, the TNC at the same time automatically moves the corresponding NC blocks in the program window. This way you can quickly skip large program sections.



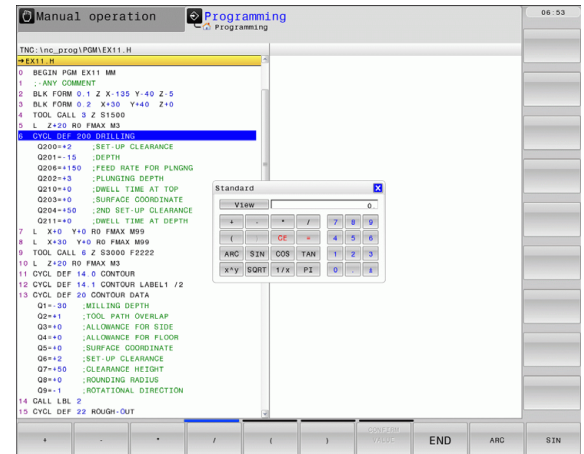
4.4 On-Line Calculator

Operation

The TNC features an integrated calculator with the basic mathematical functions.

- ▶ Use the CALC key to show and hide the on-line calculator
- ▶ The calculator is operated with short commands through the alphabetic keyboard. The commands are shown in a special color in the calculator window:

Mathematical function	Command (key)
Addition	+
Subtraction	-
Multiplication	*
Division	/
Calculations in parentheses	()
Arc cosine	ARC
Sine	SIN
Cosine	COS
Tangent	TAN
Powers of values	X^Y
Square root	SQRT
Inversion	1/x
pi (3.14159265359)	PI
Add value to buffer memory	M+
Save the value to buffer memory	MS
Recall from buffer memory	MR
Delete buffer memory contents	MC
Natural logarithm	LN
Logarithm	LOG
Exponential function	e^x
Check the algebraic sign	SGN
Form the absolute value	ABS




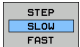

Mathematical function	Command (key)
Truncate decimal places	INT
Truncate integers	FRAC
Modulus operator	MOD
Select view	View
Delete value	CE
Unit of measure	MM or INCH
Display mode for angle values	DEG (degree) or RAD (radian measure)
Display mode of the numerical value	DEC (decimal) or HEX (hexadecimal)

Transferring the calculated value into the program

- ▶ Use the arrow keys to select the word into which the calculated value is to be transferred
- ▶ Superimpose the on-line calculator by pressing the CALC key and perform the desired calculation
- ▶ Press the actual-position-capture key for the TNC to superimpose a soft-key row
- ▶ Press the CALC soft key for the TNC to transfer the value into the active input box and to close the calculator

Adjusting the position of the calculator

Press the ADDITIONAL FUNCTIONS soft key to get to the settings for shifting the calculator:

Function	Soft key
Move calculator in the direction of the arrow	
Adjust the increment for movement	
Position the calculator in the center	



4.5 Programming Graphics

Generating / not generating graphics during programming

While you are writing the part program, you can have the TNC generate a 2-D pencil-trace graphic of the programmed contour.

- ▶ To switch the screen layout to displaying program blocks to the left and graphics to the right, press the SPLIT SCREEN key and PROGRAM + GRAPHICS soft key



- ▶ Set the AUTO DRAW soft key to ON. While you are entering the program lines, the TNC generates each path contour you program in the graphics window in the right screen half

If you do not wish to have the TNC generate graphics during programming, set the AUTO DRAW soft key to OFF.

Even when AUTO DRAW ON is active, graphics are not generated for program section repeats.





Generating a graphic for an existing program

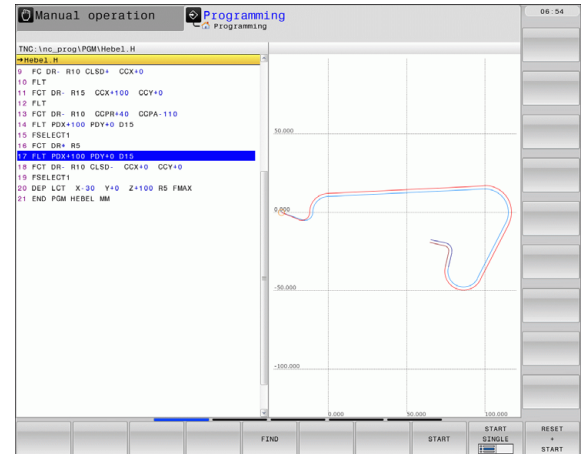
- ▶ Use the arrow keys to select the block up to which you want the graphic to be generated, or press GOTO and enter the desired block number



- ▶ To generate graphics, press the RESET + START soft key

Additional functions:

Function	Soft key
Generate a complete graphic	
Generate programming graphic blockwise	
Generate a complete graphic or complete it after RESET + START	
Stop the programming graphics. This soft key only appears while the TNC is generating the interactive graphics	



Block number display ON/OFF



▶ Shift the soft-key row: see figure



▶ To show block numbers: Set the SHOW OMIT BLOCK NR. soft key to SHOW

▶ To omit block numbers: Set the SHOW OMIT BLOCK NR. soft key to OMIT

Erasing the graphic



▶ Shift the soft-key row: see figure



▶ Erase graphic: Press CLEAR GRAPHICS soft key

Showing grid lines



▶ Shift the soft-key row: see figure.



▶ Show grid lines: Press the "Show grid lines" soft key

Magnifying or reducing a detail

You can select the graphics display by selecting a detail with the frame overlay. You can now magnify or reduce the selected detail.

▶ Select the soft-key row for detail magnification/reduction (second row, see figure)

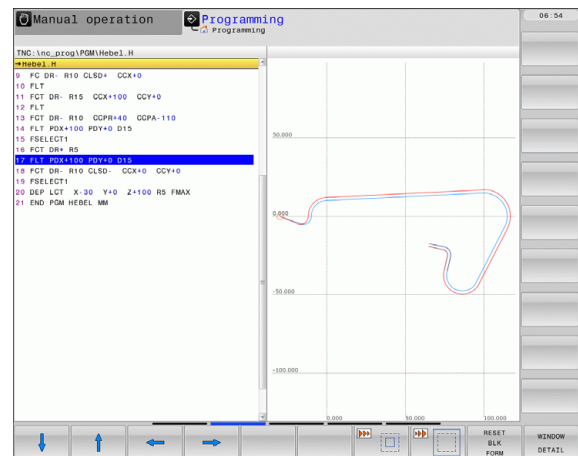
The following functions are available:

Function	Soft key
Show and move the frame overlay. Press and hold the desired soft key to move the frame overlay	
Reduce the frame overlay—press and hold the soft key to reduce the detail	
Enlarge the frame overlay—press and hold the soft key to magnify the detail	



▶ Confirm the selected area with the WINDOW DETAIL soft key

The RESET WORKPIECE BLANK soft key is used to restore the original section.



4.6 Error Messages

Display of errors

The TNC generates error messages when it detects problems such as:

- Incorrect data input
- Logical errors in the program
- Contour elements that are impossible to machine
- Incorrect use of touch probes

When an error occurs, it is displayed in red type in the header. Long and multi-line error messages are displayed in abbreviated form. If an error occurs in the background mode, the word "Error" is displayed in red type. Complete information on all pending errors is shown in the error window.

If a rare "processor check error" should occur, the TNC automatically opens the error window. You cannot remove such an error. Shut down the system and restart the TNC.

The error message is displayed in the header until it is cleared or replaced by a higher-priority error.

An error message that contains a program block number was caused by an error in the indicated block or in the preceding block.

Open the error window



- ▶ Press the ERR key. The TNC opens the error window and displays all accumulated error messages.

Closing the error window



- ▶ Press the END soft key—or



- ▶ Press the ERR key. The TNC closes the error window.



Detailed error messages

The TNC displays possible causes of the error and suggestions for solving the problem:

- ▶ Open the error window

MORE
INFO

- ▶ Information on the error cause and corrective action: Position the highlight on the error message and press the MORE INFO soft key. The TNC opens a window with information on the error cause and corrective action
- ▶ Leave Info: Press the MORE INFO soft key again

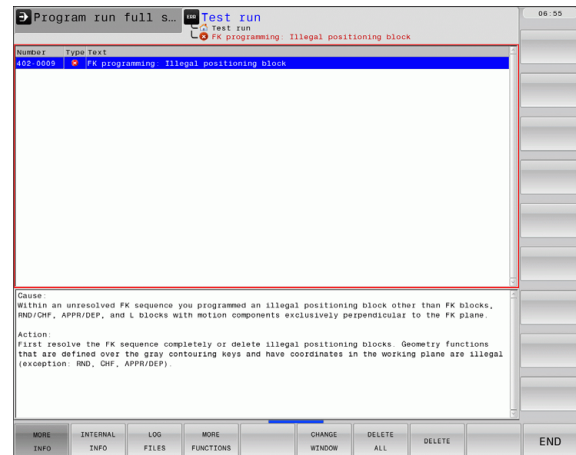
INTERNAL INFO soft key

The INTERNAL INFO soft key supplies information on the error message. This information is only required if servicing is needed.

- ▶ Open the error window

INTERNAL
INFO

- ▶ Detailed information about the error message: Position the highlight on the error message and press the INTERNAL INFO soft key. The TNC opens a window with internal information about the error
- ▶ To leave Details, press the INTERNAL INFO soft key again



Clearing errors

Clearing errors outside of the error window:



- ▶ To clear the error/message in the header: Press the CE key



In some operating modes (such as the Editing mode), the CE key cannot be used to clear the error, since the key is reserved for other functions.

Clearing more than one error:

- ▶ Open the error window



- ▶ Clear individual errors: Position the highlight on the error message and press the DELETE soft key



- ▶ Clear all errors: Press the DELETE ALL soft key



If the cause of the error has not been removed, the error message cannot be deleted. In this case, the error message remains in the window.

Error log

The TNC stores errors and important events (e.g. system startup) in an error log. The capacity of the error log is limited. If the log is full, the TNC uses a second file. If this is also full, the first error log is deleted and written to again, and so on. To view the error history, switch between CURRENT FILE and PREVIOUS FILE.

- ▶ Open the error window



- ▶ Press the LOG FILES soft key



- ▶ Open the error log file: Press the ERROR LOG soft key



- ▶ If you need the previous log file: Press the PREVIOUS FILE soft key



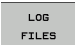



- ▶ If you need the current log file: Press the CURRENT FILE soft key

The oldest entry is at the beginning of the error log file, and the most recent entry is at the end.




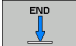




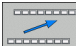
Keystroke log

The TNC stores keystrokes and important events (e.g. system startup) in a keystroke log. The capacity of the keystroke log is limited. If the keystroke log is full, the control switches to a second keystroke log. If this second file becomes full, the first keystroke log is cleared and written to again, and so on. To view the keystroke history, switch between CURRENT FILE and PREVIOUS FILE.

-  ▶ Press the LOG FILES soft key
-  ▶ Open the keystroke log file: Press the KEYSTROKE LOG FILE soft key
-  ▶ If you need the previous log file: Press the PREVIOUS FILE soft key
-  ▶ If you need the current log file: Press the CURRENT FILE soft key

The TNC saves each key pressed during operation in a keystroke log. The oldest entry is at the beginning, and the most recent entry is at the end of the file.

Overview of the buttons and soft keys for viewing the log files:

Function	Soft key/Keys
Go to beginning of log file	
Go to end of log file	
Current log file	
Previous log file	
Up/down one line	 
Return to main menu	

Informational texts

After a faulty operation, such as pressing a key without function or entering a value outside of the valid range, the TNC displays a (green) text in the header, informing you that the operation was not correct. The TNC clears this note upon the next valid input.

Saving service files

If necessary, you can save the "Current status of the TNC," and make it available to a service technician for evaluation. A group of service files is saved (error and keystroke log files, as well as other files that contain information about the current status of the machine and the machining).

If you repeat the "Save service files" function with the same file name, the previously saved group of service data files is overwritten. To avoid this, use another file name when you repeat the function.

Saving service files:

- ▶ Open the error window



- ▶ Press the LOG FILES soft key



- ▶ Press the SAVE SERVICE FILES soft key: The TNC opens a pop-up window in which you can enter a name for the service file



- ▶ Save the service files: Press the OK soft key

Calling the TNCguide help system

You can call the TNC's help system via soft key. Immediately the help system shows you the same error explanation that you receive by pressing the HELP soft key.



If your machine manufacturer also provides a help system, the TNC shows an additional MACHINE MANUFACTURER soft key with which you can call this separate help system. There you will find further, more detailed information on the error message concerned.



- ▶ Call the help for HEIDENHAIN error messages



- ▶ Call the help for HEIDENHAIN error messages, if available



4.7 Context-Sensitive Help System

Application



Before you can use the TNCguide, you need to download the help files from the HEIDENHAIN home page (see "Downloading current help files" on page 142).

The **TNCguide** context-sensitive help system includes the user documentation in HTML format. The TNCguide is called with the HELP key, and the TNC often immediately displays the information specific to the condition from which the help was called (context-sensitive call). Even if you are editing an NC block and press the HELP key, you are usually brought to the exact place in the documentation that describes the corresponding function.



The TNC always tries to start the TNCguide in the language that you have selected as the conversational language on your TNC. If the files with this language are not yet available on your TNC, it automatically opens the English version.

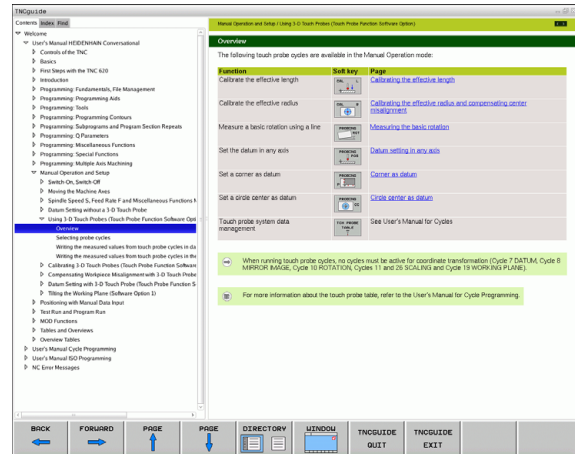
The following user documentation is available in the TNCguide:

- Conversational Programming User's Manual (**BHBKlartext.chm**)
- DIN/ISO User's Manual (**BHBIso.chm**)
- User's Manual for Cycle Programming (**BHBtchprobe.chm**)
- List of All Error Messages (**errors.chm**)

In addition, the **main.chm** "book" file is available, with the contents of all existing .chm files.



As an option, your machine tool builder can embed machine-specific documentation in the **TNCguide**. These documents then appear as a separate book in the **main.chm** file.



Working with the TNCguide

Calling the TNCguide

There are several ways to start the TNCguide:

- ▶ Press the HELP key if the TNC is not already showing an error message
- ▶ Click the help symbol at the lower right of the screen beforehand, then click the appropriate soft keys
- ▶ Use the file manager to open a help file (.chm file). The TNC can open any .chm file, even if it is not saved on the TNC's hard disk



If one or more error messages are waiting for your attention, the TNC shows the help directly associated with the error messages. To start the **TNCguide**, you first have to acknowledge all error messages.

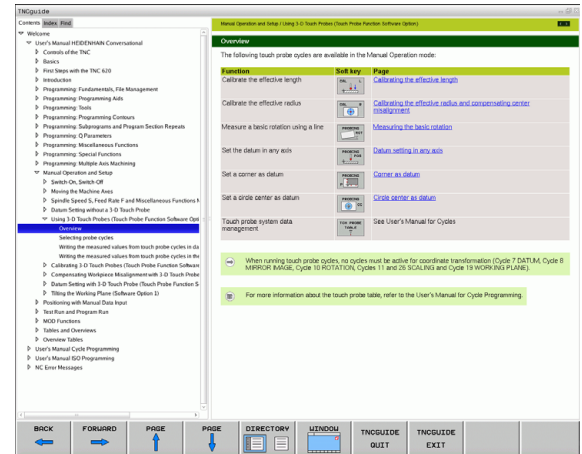
When the help system is called on the programming station, the TNC starts the internally defined standard browser (usually the Internet Explorer), or otherwise a browser adapted by HEIDENHAIN.

For many soft keys there is a context-sensitive call through which you can go directly to the description of the soft key's function. This functionality requires using a mouse. Proceed as follows:

- ▶ Select the soft-key row containing the desired soft key
- ▶ Click with the mouse on the help symbol that the TNC displays just above the soft-key row: The mouse pointer turns into a question mark
- ▶ Move the question mark to the soft key for which you want an explanation, and click: The TNC opens the TNCguide. If no specific part of the help is assigned to the selected soft key, the TNC opens the book file **main.chm**, in which you can use the search function or the navigation to find the desired explanation manually

Even if you are editing an NC block, context-sensitive help is available:

- ▶ Select any NC block
- ▶ Use the arrow keys to move the cursor to the block
- ▶ Press the HELP key: The TNC starts the help system and shows a description for the active function (does not apply to miscellaneous functions or cycles that were integrated by your machine tool builder)











Navigating in the TNCguide







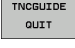
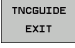
It's easiest to use the mouse to navigate in the TNCguide. A table of contents appears on the left side of the screen. By clicking the rightward pointing triangle you open subordinate sections, and by clicking the respective entry you open the individual pages. It is operated in the same manner as the Windows Explorer.

Linked text positions (cross references) are shown underlined and in blue. Clicking the link opens the associated page.

Of course you can also operate the TNCguide through keys and soft keys. The following table contains an overview of the corresponding key functions.

Function	Soft key
<ul style="list-style-type: none"> ■ If the table of contents at left is active: Select the entry above it or below it ■ If the text window at right is active: Move the page downward or upward if texts or graphics are not shown completely 	 
<ul style="list-style-type: none"> ■ If the table of contents at left is active: Open a branch of the table of contents. If the branch is at its end, jump into the window at right ■ If the text window at right is active: No function 	
<ul style="list-style-type: none"> ■ If the table of contents at left is active: Close a branch of the table of contents ■ If the text window at right is active: No function 	
<ul style="list-style-type: none"> ■ If the table of contents at left is active: Use the cursor key to show the selected page ■ If the text window at right is active: If the cursor is on a link, jump to the linked page 	
<ul style="list-style-type: none"> ■ If the table of contents at left is active: Switch the tab between the display of the table of contents, display of the subject index, and the full-text search function and switching to the screen half at right ■ If the text window at right is active: Jump back to the window at left 	
<ul style="list-style-type: none"> ■ If the table of contents at left is active: Select the entry above it or below it ■ If the text window at right is active: Jump to the next link 	 



Function	Soft key
Select the page last shown	
Page forward if you have used the "select page last shown" function	
Move up by one page	
Move down by one page	
Display or hide table of contents	
Switch between full-screen display and reduced display. With the reduced display you can see some of the rest of the TNC window	
The focus is switched internally to the TNC application so that you can operate the control when the TNCguide is open. If the full screen is active, the TNC reduces the window size automatically before the change of focus	
Close the TNCguide	



Subject index

The most important subjects in the Manual are listed in the subject index (**Index** tab). You can select them directly by mouse or with the cursor keys.

The left side is active.



- ▶ Select the **Index** tab
- ▶ Activate the **Keyword** input field
- ▶ Enter the word for the desired subject and the TNC synchronizes the index and creates a list in which you can find the subject more easily, or
- ▶ Use the arrow key to highlight the desired keyword
- ▶ Use the ENT key to call the information on the selected keyword



You can enter the search word only with a keyboard connected via USB.

Full-text search

In the **Find** tab you can search the entire TNCguide for a specific word.

The left side is active.



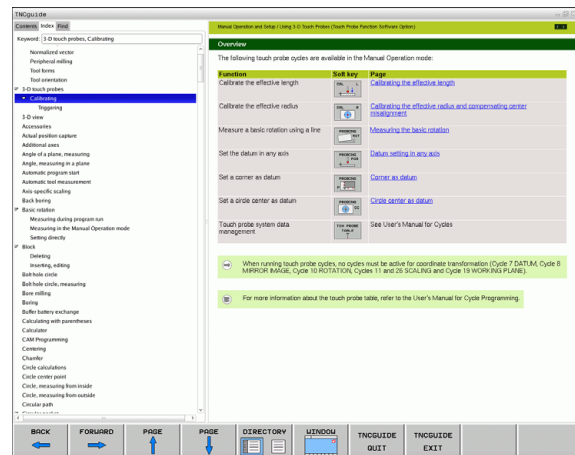
- ▶ Select the **Find** tab
- ▶ Activate the **Find:** input field
- ▶ Enter the desired word and confirm with the ENT key:
The TNC lists all sources containing the word
- ▶ Use the arrow key to highlight the desired source
- ▶ Press the ENT key to go to the selected source



You can enter the search word only with a keyboard connected via USB.

The full-text search only works for single words.

If you activate the **Search only in titles** function (by mouse or by using the cursor and the space key), the TNC searches only through headings and ignores the body text.



Downloading current help files

You'll find the help files for your TNC software on the HEIDENHAIN homepage www.heidenhain.de under:

- ▶ Documentation / Information
- ▶ Manuals
- ▶ TNCguide
- ▶ Select the desired language
- ▶ TNC Controls
- ▶ TNC 600 Series
- ▶ Desired NC software number, e.g. TNC 640 (340 59x-01)
- ▶ Select the desired language version from the **TNCguide online help** table
- ▶ Download the ZIP file and unzip it
- ▶ Move the unzipped CHM files to the TNC in the **TNC:\tncguide\en** directory or into the respective language subdirectory (see also the following table)



If you want to use TNCremoNT to transfer the CHM files to the TNC, then in the **Extras>Configuration>Mode>Transfer in binary format** menu item you have to enter the extension **.CHM**.

Language	TNC directory
German	TNC:\tncguide\de
English	TNC:\tncguide\en
Czech	TNC:\tncguide\cs
French	TNC:\tncguide\fr
Italian	TNC:\tncguide\it
Spanish	TNC:\tncguide\es
Portuguese	TNC:\tncguide\pt
Swedish	TNC:\tncguide\sv
Danish	TNC:\tncguide\da
Finnish	TNC:\tncguide\fi
Dutch	TNC:\tncguide\nl
Polish	TNC:\tncguide\pl
Hungarian	TNC:\tncguide\hu
Russian	TNC:\tncguide\ru
Chinese (simplified)	TNC:\tncguide\zh



Language	TNC directory
Chinese (traditional)	TNC:\tncguide\zh-tw
Slovenian (software option)	TNC:\tncguide\sl
Norwegian	TNC:\tncguide\no
Slovak	TNC:\tncguide\sk
Latvian	TNC:\tncguide\lv
Korean	TNC:\tncguide\kr
Estonian	TNC:\tncguide\et
Turkish	TNC:\tncguide\tr
Romanian	TNC:\tncguide\ro
Lithuanian	TNC:\tncguide\lt







5

Programming: Tools



5.1 Entering Tool-Related Data

Feed rate F

The feed rate **F** is the speed (in millimeters per minute or inches per minute) at which the tool center point moves. The maximum feed rates can be different for the individual axes and are set in machine parameters.

Input

You can enter the feed rate in the **TOOL CALL** block and in every positioning block (see "Creating the program blocks with the path function keys" on page 182). In millimeter-programs you enter the feed rate in mm/min, and in inch-programs, for reasons of resolution, in 1/10 inch/min.

Rapid traverse

If you wish to program rapid traverse, enter **F MAX**. To enter **FMAX**, press the ENT key or the FMAX soft key when the dialog question **FEED RATE F = ?** appears on the control's screen.



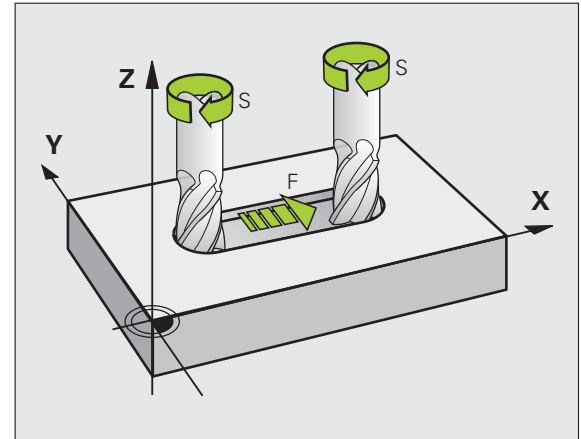
To move your machine at rapid traverse, you can also program the corresponding numerical value, e.g. **F30000**. Unlike **FMAX**, this rapid traverse remains in effect not only in the individual block but in all blocks until you program a new feed rate.

Duration of effect

A feed rate entered as a numerical value remains in effect until a block with a different feed rate is reached. **FMAX** is only effective in the block in which it is programmed. After the block with **FMAX** is executed, the feed rate will return to the last feed rate entered as a numerical value.

Changing during program run

You can adjust the feed rate during program run with the feed-rate override knob F.



Spindle speed S

The spindle speed S is entered in revolutions per minute (rpm) in a **TOOL CALL** block. Instead, you can also define the cutting speed Vc in m/min.

Programmed change

In the part program, you can change the spindle speed in a **TOOL CALL** block by entering the spindle speed only:

TOOL
CALL

- ▶ Program a tool call: Press the TOOL CALL key
- ▶ Ignore the dialog question for **Tool number ?** with the NO ENT key
- ▶ Ignore the dialog question for **Working spindle axis X/Y/Z ?** with the NO ENT key
- ▶ Enter the new spindle speed for the dialog question **Spindle speed S= ?**, and confirm with END key, or press the VC soft key to switch to entry of the cutting speed

Changing during program run

You can adjust the spindle speed during program run with the spindle speed override knob S.



5.2 Tool Data

Requirements for tool compensation

You usually program the coordinates of path contours as they are dimensioned in the workpiece drawing. To allow the TNC to calculate the tool center path—i.e. the tool compensation—you must also enter the length and radius of each tool you are using.

Tool data can be entered either directly in the part program with **TOOL DEF** or separately in a tool table. In a tool table, you can also enter additional data for the specific tool. The TNC will consider all the data entered for the tool when executing the part program.

Tool numbers and tool names

Each tool is identified by a number between 0 and 32767. If you are working with tool tables, you can also enter a tool name for each tool. Tool names can have up to 16 characters.

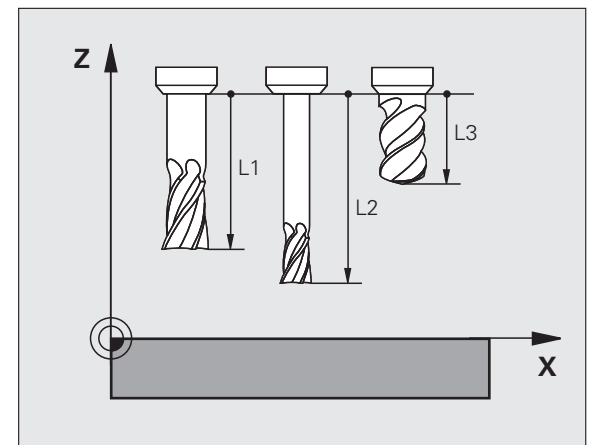
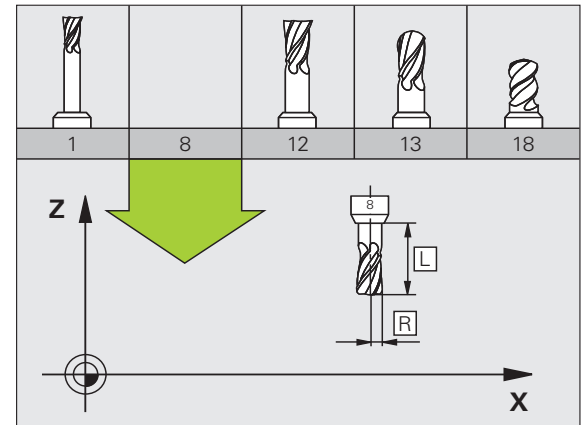
The tool number 0 is automatically defined as the zero tool with the length $L=0$ and the radius $R=0$. In tool tables, tool T0 should also be defined with $L=0$ and $R=0$.

Tool length L

You should always enter the tool length L as an absolute value based on the tool reference point. The entire tool length is essential for the TNC in order to perform numerous functions involving multi-axis machining.

Tool radius R

You can enter the tool radius R directly.



Delta values for lengths and radii

Delta values are offsets in the length and radius of a tool.

A positive delta value describes a tool oversize (**DL**, **DR**, **DR2**>0). If you are programming the machining data with an allowance, enter the oversize value in the **TOOL CALL** block of the part program.

A negative delta value describes a tool undersize (**DL**, **DR**, **DR2**<0). An undersize is entered in the tool table for wear.

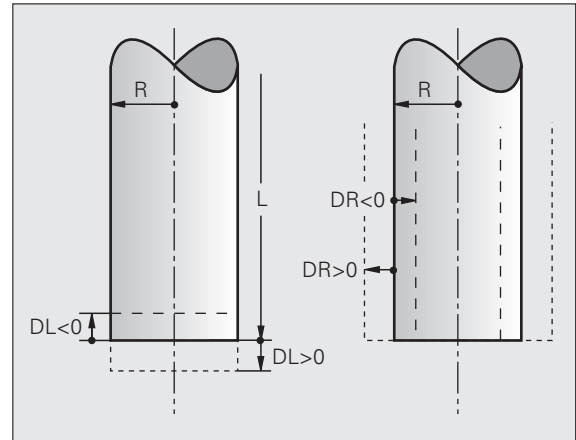
Delta values are usually entered as numerical values. In a **TOOL CALL** block, you can also assign the values to Q parameters.

Input range: You can enter a delta value with up to ± 99.999 mm.



Delta values from the tool table influence the graphical representation of the **tool**. The representation of the **workpiece** remains the same in the simulation.

Delta values from the **TOOL CALL** block change the represented size of the **workpiece** during the simulation. The simulated **tool size** remains the same.



Entering tool data into the program

The number, length and radius of a specific tool is defined in the **TOOL DEF** block of the part program.

► Select the tool definition: Press the TOOL DEF key



- **Tool number:** Each tool is uniquely identified by its tool number
- **Tool length:** Compensation value for the tool length
- **Tool radius:** Compensation value for the tool radius



In the programming dialog, you can transfer the value for tool length and tool radius directly into the input line by pressing the desired axis soft key.

Example

```
4 TOOL DEF 5 L+10 R+5
```



Entering tool data in the table

You can define and store up to 9999 tools and their tool data in a tool table. Also see the Editing Functions later in this Chapter. In order to be able to assign various compensation data to a tool (indexing tool number), insert a line and extend the tool number by a dot and a number from 1 to 9 (e.g. **T 5.2**).

You must use tool tables if

- you wish to use indexed tools such as stepped drills with more than one length compensation value
- your machine tool has an automatic tool changer
- you want to rough-mill the contour with Cycle 22, (see "User's Manual for Cycle Programming, ROUGH-OUT")
- you want to work with Cycles 251 to 254 (see "User's Manual for Cycle Programming," Cycles 251 to 254)



If you create or manage further tool tables, the file name has to start with a letter.

You can select either list view or form view for tables via the "Screen layout" key.

Tool table: Standard tool data

Abbr.	Inputs	Dialog
T	Number by which the tool is called in the program (e.g. 5, indexed: 5.2)	-
NAME	Name by which the tool is called in the program (no more than 16 characters, all capitals, no spaces)	Tool name?
L	Compensation value for tool length L	Tool length?
R	Compensation value for the tool radius R	Tool radius R?
R2	Tool radius R2 for toroid cutters (only for 3-D radius compensation or graphical representation of a machining operation with spherical or toroid cutters)	Tool radius R2?
DL	Delta value for tool length L	Tool length oversize?
DR	Delta value for tool radius R	Tool radius oversize?
DR2	Delta value for tool radius R2	Tool radius oversize R2?
LCUTS	Tooth length of the tool for Cycle 22	Tooth length in the tool axis?
ANGLE	Maximum plunge angle of the tool for reciprocating plunge-cut in Cycles 22 and 208	Maximum plunge angle?
TL	Set tool lock (TL: for Tool Locked)	Tool locked? Yes = ENT / No = NO ENT
RT	Number of a replacement tool, if available (RT: for Replacement Tool; see also TIME2)	Replacement tool?



Abbr.	Inputs	Dialog
TIME1	Maximum tool life in minutes. This function can vary depending on the individual machine tool. Your machine manual provides more information	Maximum tool age?
TIME2	Maximum tool age in minutes during TOOL CALL : If the current tool age reaches or exceeds this value, the TNC changes the tool during the next TOOL CALL (see also CUR_TIME).	Maximum tool age for TOOL CALL?
CUR_TIME	Current age of the tool in minutes: The TNC automatically counts the current tool life (CUR_TIME). A starting value can be entered for used tools	Current tool age?
TYPE	Tool type: Press the SELECT TYPE (3rd soft-key row); the TNC superimposes a window where you can select the type of tool you want. You can assign tool types to specify the display filter settings such that only the selected type is visible in the table	Tool type?
DOC	Comment on tool (up to 16 characters)	Tool comment?
PLC	Information on this tool that is to be sent to the PLC	PLC status?
PTYP	Tool type for evaluation in the pocket table	Tool type for pocket table?
LIFTOFF	Definition of whether the TNC should retract the tool in the direction of the positive tool axis at an NC stop in order to avoid leaving dwell marks on the contour. If Y is defined, the TNC retracts the tool from the contour, provided that this function was activated in the NC program with M148 (see "Automatically retract tool from the contour at an NC stop: M148" on page 342).	Retract tool Y/N ?
TP_NO	Reference to the number of the touch probe in the touch-probe table	Number of the touch probe
T_ANGLE	Point angle of the tool. Is used by the Centering cycle (Cycle 240) in order to calculate the centering depth from the diameter entry	Point angle?
LAST_USE	Date and time that the tool was last inserted via TOOL CALL Input range: Max. 16 characters, format specified internally: Date = yyyy.mm.dd, time = hh.mm	LAST_USE



Tool table: Tool data required for automatic tool measurement



For a description of the cycles for automatic tool measurement, see the User's Manual for Cycle Programming.

Abbr.	Inputs	Dialog
CUT	Number of teeth (20 teeth maximum)	Number of teeth?
LTOL	Permissible deviation from tool length L for wear detection. If the entered value is exceeded, the TNC locks the tool (status L). Input range: 0 to 0.9999 mm	Wear tolerance: length?
RTOL	Permissible deviation from tool radius R for wear detection. If the entered value is exceeded, the TNC locks the tool (status L). Input range: 0 to 0.9999 mm	Wear tolerance: radius?
R2TOL	Permissible deviation from tool radius R2 for wear detection. If the entered value is exceeded, the TNC locks the tool (status L). Input range: 0 to 0.9999 mm	Wear tolerance: Radius 2?
DIRECT.	Cutting direction of the tool for measuring the tool during rotation	Cutting direction (M3 = -)?
R_OFFS	Tool radius measurement: Tool offset between stylus center and tool center. Default setting: No value entered (offset = tool radius)	Tool offset: radius?
L_OFFS	Tool length measurement: Tool offset in addition to offsetToolAxis (114104) between upper surface of stylus and lower surface of tool. Default: 0	Tool offset: length?
LBREAK	Permissible deviation from tool length L for breakage detection. If the entered value is exceeded, the TNC locks the tool (status L). Input range: 0 to 0.9999 mm	Breakage tolerance: length?
RBREAK	Permissible deviation from tool radius R for breakage detection. If the entered value is exceeded, the TNC locks the tool (status L). Input range: 0 to 0.9999 mm	Breakage tolerance: radius?



Editing tool tables

The tool table that is active during execution of the part program is designated TOOL.T and must be saved in the **TNC:\table** directory.

Other tool tables that are to be archived or used for test runs are given any other names with the extension T. By default, for Test Run and Programming modes the TNC uses the "simtool.t" table, which is also stored in the "table" directory. In the Test Run mode, press the TOOL TABLE soft key to edit it.

To open the tool table TOOL.T:

- ▶ Select any machine operating mode



- ▶ Select the tool table: Press the TOOL TABLE soft key



- ▶ Set the EDIT soft key to ON

Display only specific tool types (filter setting)

- ▶ Press the TABLE FILTER soft key (fourth soft-key row)
- ▶ Select the tool type by pressing a soft key: The TNC only shows tools of the type selected
- ▶ Cancel filter: Press the previously selected tool type again or select another tool type



The machine tool builder adapts the features of the filter function to the requirements of your machine. The machine tool manual provides further information.

T	NAME	L	R	RZ	DL	DR	DRZ	TL	RT
0	Nullwert	0	0	0	0	0	0	0	0
1	D2	30	1	0	0	0	0	0	0
2	D4	40	2	0	0	0	0	0	0
3	D6	50	3	0	0	0	0	0	0
4	D8	50	4	0	0	0	0	0	0
5	D10	60	5	0	0	0	0	0	0
6	D12	60	6	0	0	0	0	0	0
7	D14	70	7	0	0	0	0	0	0
8	D16	80	8	0	0	0	0	0	0
9	D18	90	9	0	0	0	0	0	0
10	D20	90	10	0	0	0	0	0	0
11	D22	90	11	0	0	0	0	0	0
12	D24	90	12	0	0	0	0	0	0
13	D26	90	13	0	0	0	0	0	0
14	D28	100	14	0	0	0	0	0	0
15	R5	100	15	0	0	0	0	0	0
16	D32	100	16	0	0	0	0	0	0
17	D34	100	17	0	0	0	0	0	0
18	D36	100	18	0	0	0	0	0	0
19	D38	100	19	0	0	0	0	0	0
20	D40	100	20	0	0	0	0	0	0
21	D42	100	5	5	0	0	0	0	0
22	D44	120	22	0	0	0	0	0	0
23	D45	120	23	0	0	0	0	0	0
24	D48	120	24	0	0	0	0	0	0
25	D50	120	25	0	0	0	0	0	0
26	D52	120	26	0	0	0	0	0	0


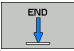
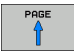
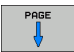

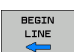
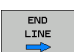
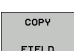

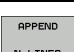
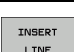



Open any other tool table




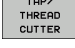
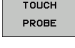
- ▶ Select the Programming and Editing mode of operation
 - ▶ Call the file manager
 - ▶ Press the SELECT TYPE soft key to select the file type
 - ▶ Display the type .T files: Press the SHOW .T soft key
 - ▶ Select a file or enter a new file name. Conclude your entry with the ENT key or the SELECT soft key

When you have opened the tool table, you can edit the tool data by moving the cursor to the desired position in the table with the arrow keys or the soft keys. You can overwrite the stored values, or enter new values at any position. The available editing functions are illustrated in the table below.

If the TNC cannot show all positions in the tool table in one screen page, the highlight bar at the top of the table will display the >> or << symbols.

Editing functions for tool tables	Soft key
Select beginning of table	
Select end of table	
Select previous page in table	
Select next page in table	
Find the text or number	
Move to beginning of line	
Move to end of line	
Copy highlighted field	
Insert copied field	
Add the entered number of lines (tools) at the end of the table	
Insert a line with definable tool number	
Delete current line (tool)	



Editing functions for tool tables	Soft key
Sort the tools according to the content of a column	
Show all drills in the tool table	
Show all cutters in the tool table	
Show all taps/thread cutters in the tool table	
Show all touch probes in the tool table	

Exiting the tool table

- Call the file manager and select a file of a different type, such as a part program

Tool table for turning tools

With the management of turning tools, other geometric descriptions are considered than with milling or drilling tools. To be able to execute tool radius compensation, for example, you have to define the tool radius. To support these definitions, the TNC provides a special tool management for turning tools (see "Tool data" on page 421).



Importing tool tables



The machine manufacturer can adapt the IMPORT TABLE function. The machine tool manual provides further information.

If you export a tool table from an iTNC 530 and import it into a TNC 640, you have to adapt its format and content before you can use the tool table. On the TNC 640, you can adapt the tool table conveniently with the IMPORT TABLE function. The TNC converts the contents of the imported tool table to a format valid for the TNC 640 and saves the changes to the selected file. Follow this procedure:

- ▶ Save the tool table of the iTNC 530 to the **TNC:\table** directory
- ▶ Select the Programming mode of operation
- ▶ Call the file manager: Press the PGM MGT key
- ▶ Move the highlight to the tool table you want to import
- ▶ Press the ADDITIONAL FUNCTIONS soft key
- ▶ Select the IMPORT TABLE soft key: The TNC inquires whether you really want to overwrite the selected tool table
- ▶ Press the CANCEL soft key if you do not want to overwrite the file, or
- ▶ Press the ADAPT TABLE FORMAT soft key to overwrite the file
- ▶ Open the converted table and check its contents



The following characters are permitted in the **Name** column of the tool table:
 "ABCDEFGHIJKLMNOPQRSTUVWXYZ0123456789#&-.
 _". The TNC changes a comma in the tool name to a period during import.

The TNC overwrites the selected tool table when running the IMPORT TABLE function. The TNC also creates a backup file with the extension **.t.bak**. To avoid losing data, be sure to make a backup copy of your original tool table before importing it!

The procedure for copying tool tables using the TNC file manager is described in the section on file management (see "Copying a table" on page 108).



Pocket table for tool changer



The machine tool builder adapts the features of the pocket table to the requirements of your machine. The machine tool manual provides further information.

For automatic tool changing you need the pocket table TOOL_P.TCH. The TNC can manage several pocket tables with any file names. To activate a specific pocket table for program run, you must select it in the file management of a Program Run mode of operation (status M).

Editing a pocket table in a Program Run operating mode



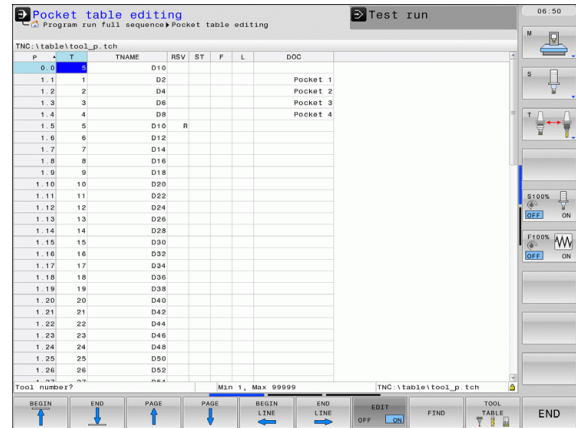
- ▶ Select the tool table: Press the TOOL TABLE soft key



- ▶ Select the pocket table: Press the POCKET TABLE soft key



- ▶ Set the EDIT soft key to ON. On your machine this might not be necessary or even possible. Refer to your machine manual




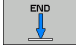

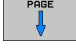
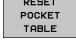

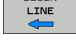
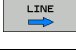


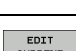
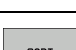
Selecting a pocket table in the Programming and Editing mode of operation



- ▶ Call the file manager
- ▶ Display the file types: Press the SHOW ALL soft key
- ▶ Select a file or enter a new file name. Conclude your entry with the ENT key or the SELECT soft key

Abbr.	Inputs	Dialog
P	Pocket number of the tool in the tool magazine	-
T	Tool number	Tool number?
RSV	Pocket reservation for box magazines	Pocket reserv.: Yes = ENT / No = NOENT
ST	Special tool with a large radius requiring several pockets in the tool magazine. If your special tool takes up pockets in front of and behind its actual pocket, these additional pockets need to be locked in column L (status L).	Special tool?
F	Fixed tool number. The tool is always returned to the same pocket in the tool magazine	Fixed pocket? Yes = ENT / No = NO ENT
L	Locked pocket (see also column ST)	Pocket locked Yes = ENT / No = NO ENT
DOC	Display of the comment to the tool from TOOL.T	-
PLC	Information on this tool pocket that is to be sent to the PLC	PLC status?
P1 ... P5	Function is defined by the machine tool builder. The machine tool documentation provides further information	Value?
PTYP	Tool type. Function is defined by the machine tool builder. The machine tool documentation provides further information	Tool type for pocket table?
LOCKED_ABOVE	Box magazine: Lock the pocket above	Lock pocket above?
LOCKED_BELOW	Box magazine: Lock the pocket below	Lock pocket below?
LOCKED_LEFT	Box magazine: Lock the pocket at left	Lock pocket at left?
LOCKED_RIGHT	Box magazine: Lock the pocket at right	Lock pocket at right?



Editing functions for pocket tables	Soft key
Select beginning of table	
Select end of table	
Select previous page in table	
Select next page in table	
Reset pocket table	
Reset tool number column T	
Go to beginning of the line	
Go to end of the line	
Simulate a tool change	
Select a tool from the tool table: The TNC shows the contents of the tool table. Use the arrow keys to select a tool, press OK to transfer it to the pocket table	
Edit the current field	
Sort the view	



The machine manufacturer defines the features, properties and designations of the various display filters. The machine tool manual provides further information.



Calling tool data

A TOOL CALL block in the part program is defined with the following data:

- ▶ Select the tool call function with the TOOL CALL key



- ▶ **Tool number:** Enter the number or name of the tool. The tool must already be defined in a **TOOL DEF** block or in the tool table. Press the TOOL NAME soft key to enter the name. The TNC automatically places the tool name in quotation marks. The tool name always refers to the entry in the active tool table TOOL.T. If you wish to call a tool with other compensation values, also enter the index you defined in the tool table after the decimal point. There is a SELECT soft key for calling a window from which you can select a tool defined in the tool table TOOL.T directly without having to enter the number or name.
- ▶ **Working spindle axis X/Y/Z:** Enter the tool axis
- ▶ **Spindle speed S:** Enter the spindle speed in rpm. Alternatively, you can define the cutting speed Vc in m/min. Press the VC soft key
- ▶ **Feed rate F:** F [mm/min or 0.1 inch/min] is effective until you program a new feed rate in a positioning or **TOOL CALL** block
- ▶ **Tool length oversize DL:** Enter the delta value for the tool length
- ▶ **Tool radius oversize DR:** Enter the delta value for the tool radius
- ▶ **Tool radius oversize DR2:** Enter the delta value for the tool radius 2

Example: Tool call

Call tool number 5 in the tool axis Z with a spindle speed of 2500 rpm and a feed rate of 350 mm/min. The tool length is to be programmed with an oversize of 0.2 mm, the tool radius 1 with an oversize of 0.05 mm, and the tool radius 2 with an undersize of 1 mm.

```
20 TOOL CALL 5.2 Z S2500 F350 DL+0.2 DR-1 DR2+0.05
```

The character **D** preceding **L** and **R** designates a delta value.

Tool preselection with tool tables

If you are working with tool tables, use **TOOL DEF** to preselect the next tool. Simply enter the tool number or a corresponding Q parameter, or type the tool name in quotation marks.



Tool change



The tool change function can vary depending on the individual machine tool. The machine tool manual provides further information.

Tool change position

The tool change position must be approachable without collision. With the miscellaneous functions **M91** and **M92**, you can enter machine-based (rather than workpiece-based) coordinates for the tool change position. If **TOOL CALL 0** is programmed before the first tool call, the TNC moves the tool spindle in the tool axis to a position that is independent of the tool length.

Manual tool change

To change the tool manually, stop the spindle and move the tool to the tool change position:

- ▶ Move to the tool change position under program control
- ▶ Interrupt program run (see "Interrupting machining", page 501)
- ▶ Change the tool
- ▶ Resume program run (see "Resuming program run after an interruption", page 503)

Automatic tool change

If your machine tool has automatic tool changing capability, the program run is not interrupted. When the TNC reaches a **TOOL CALL** it replaces the inserted tool by another from the tool magazine.



Automatic tool change if the tool life expires: M101

The function of **M101** can vary depending on the individual machine tool. The machine tool manual provides further information.

When the specified tool life has expired, the TNC can automatically insert a replacement tool and continue machining with it. Activate the miscellaneous function **M101** for this. **M101** is reset with **M102**.

Enter the respective tool life after which machining is to be continued with a replacement tool in the **TIME2** column of the tool table. In the **CUR TIME** column the TNC enters the current tool life. If the current tool life is higher than the value entered in the **TIME2** column, a replacement tool will be inserted at the next possible point in the program no later than one minute after expiration of the tool life. The change is made only after the NC block has been completed.

The TNC performs the automatic tool change at a suitable point in the program. The automatic tool change is not performed:

- During execution of machining cycles
- While radius compensation is active (**RR/RL**)
- Directly after an approach function **APPR**
- Directly before a departure function **DEP**
- Directly before and after **CHF** and **RND**
- During execution of macros
- During execution of a tool change
- Directly after a **TOOL CALL** or **TOOL DEF**
- During execution of SL cycles

**Caution: Danger to the workpiece and tool!**

Switch off the automatic tool change with **M102** if you are working with special tools (e.g. side mill cutter) because the TNC at first always moves the tool away from the workpiece in tool axis direction.



Depending on the NC program, the machining time can increase as a result of the tool life verification and calculation of the automatic tool change. You can influence this with the optional input element **BT** (block tolerance)

If you enter the **M101** function, the TNC continues the dialog by requesting the **BT**. Here you define the number of NC blocks (1 - 100) by which the automatic tool change may be delayed. The resulting time period by which the tool change is delayed depends on the content of the NC blocks (e.g. feed rate, path). If you do not define **BT**, the TNC uses the value 1 or, if applicable, a default value defined by the machine manufacturer.



The more you increase the value of **BT**, the smaller will be the effect of an extended program duration through **M101**. Please note that this will delay the automatic tool change!

To calculate a suitable initial value for **BT**, use the following formula: **BT = 10 : average machining time of an NC block in seconds**. Round up to the next odd integer. If the calculated result is greater than 100, use the maximum input value of 100.

If you want to reset the current life of a tool (e.g. after changing the indexable inserts), enter the value 0 in the **CUR_TIME** column.

The **M101** function is not available for turning tools and in turning mode.

Prerequisites for NC blocks with surface-normal vectors and 3-D compensation

See "Three-Dimensional Tool Compensation (Software Option 2)" on page 399. The active radius (**R + DR**) of the replacement tool must not differ from the radius of the original tool. You can enter the delta values (**DR**) either in the tool table or in the **TOOL CALL** block. If there are any deviations, the TNC displays an error message and does not replace the tool. You can suppress this message with the M function **M107**, and reactivate it with **M108**.



Tool usage test



The tool usage test function must be enabled by your machine manufacturer. Refer to your machine manual.

In order to run a tool usage test, the complete plain-language program must have been simulated in the **Test Run** mode.

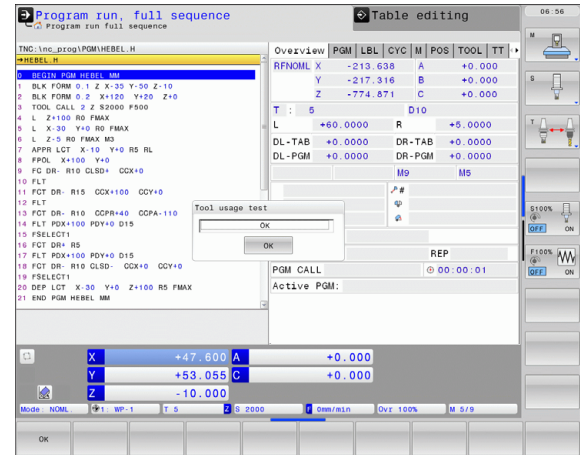
Applying the tool usage test

Before starting a program in the Program Run mode of operation, you can use the TOOL USAGE and TOOL USAGE TEST soft keys to check whether the tools being used in the selected program are available and have sufficient remaining service life. The TNC then compares the actual service-life values in the tool table with the nominal values from the tool usage file.

After you have pressed the TOOL USAGE TEST soft key, the TNC displays the result of the tool usage test in a pop-up window. To close the pop-up window, press the ENT key.

The TNC saves the tool usage times in a separate file with the extension **pgmname.H.T.DEP**. The generated tool usage file contains the following information:

Column	Meaning
TOKEN	<ul style="list-style-type: none"> ■ TOOL: Tool usage time per TOOL CALL. The entries are listed in chronological order. ■ TTOTAL: Total usage time of a tool ■ STOTAL: Call of a subprogram; the entries are listed in chronological order ■ TIMETOTAL: The total machining time of the NC program is entered in the WTIME column. In the PATH column the TNC saves the path name of the corresponding NC programs. The TIME column shows the sum of all TIME entries (without rapid traverse). The TNC sets all other columns to 0 ■ TOOLFILE: In the PATH column, the TNC saves the path name of the tool table with which you conducted the Test Run. This enables the TNC during the actual tool usage test to detect whether you performed the test run with the TOOL.T.
TNR	Tool number (-1: No tool inserted yet)
IDX	Tool index
NAME	Tool name from the tool table
TIME	Tool-usage time in seconds (feed time)
WTIME	Tool-usage time in seconds (total usage time between tool changes)



Column	Meaning
RAD	Tool radius R + Oversize of tool radius DR from the tool table (in mm)
BLOCK	Block number in which the TOOL CALL block was programmed
PATH	<ul style="list-style-type: none"> ■ TOKEN = TOOL: Path name of the active main program or subprogram ■ TOKEN = STOTAL: Path name of the subprogram
T	Tool number with tool index
OVRMAX	Maximum feed rate override that occurred during machining. During Test Run the TNC enters the value 100 (%)
OVRMIN	Minimum feed rate override that occurred during machining. During Test Run the TNC enters the value -1
NAMEPROG	<ul style="list-style-type: none"> ■ 0: The tool number is programmed ■ 1: The tool name is programmed

There are two ways to run a tool usage test for a pallet file:

- The highlight is on a pallet entry in the pallet file:
The TNC runs the tool usage test for the entire pallet.
- The highlight is on a program entry in the pallet file:
The TNC runs the tool usage test for the selected program



Tool management (software option)



Tool management is a machine-dependent function, which can be partly or completely deactivated. The machine tool builder defines the exact range of functions, so refer to your machine manual.

With the tool management, your machine tool builder can provide many functions with regard to tool handling. Examples:

- Easily readable and, if you desired, adaptable representation of the tool data in fillable forms
- Any description of the individual tool data in the new table view
- Mixed representation of data from the tool table and the pocket table
- Fast sorting of all tool data by mouse
- Use of graphic aids, e.g. color coding of tool or magazine status
- Program-specific list of all available tools
- Program-specific usage sequence of all tools
- Copying and pasting of all tool data pertaining to a tool

Calling the tool management



The tool management call can differ as described below; refer to your machine manual!



- ▶ Select the tool table: Press the TOOL TABLE soft key



- ▶ Scroll through the soft-key row



- ▶ Select the TOOL MANAGEMENT soft key: The TNC goes into the new table view (see figure at right)

Werkzeuge	Platze	Bestückungsliste	Einsetzfolge	Standardzeit	RESTSTANDZ	
T	NAME	PTYPE	PL	MAGAZIN	Standzeit	
0	NULLWERKZEUG	0			nicht überwacht	0
1	D2	0	1	HAUPTWERTZEUG	nicht überwacht	0
2	D4	0	2	HAUPTWERTZEUG	nicht überwacht	0
3	D6	0	3	HAUPTWERTZEUG	nicht überwacht	0
4	D8	0	4	HAUPTWERTZEUG	nicht überwacht	0
5	D10	0	5	Spindel	nicht überwacht	0
6	D12	0	6	HAUPTWERTZEUG	nicht überwacht	0
7	D14	0	7	HAUPTWERTZEUG	nicht überwacht	0
8	D16	0	8	HAUPTWERTZEUG	nicht überwacht	0
9	D18	0	9	HAUPTWERTZEUG	nicht überwacht	0
10	D20	0	10	HAUPTWERTZEUG	nicht überwacht	0
11	D22	0	11	HAUPTWERTZEUG	nicht überwacht	0
12	D24	0	12	HAUPTWERTZEUG	nicht überwacht	0
13	D26	0	13	HAUPTWERTZEUG	nicht überwacht	0
14	D28	0	14	HAUPTWERTZEUG	nicht überwacht	0
15	R5	0	15	HAUPTWERTZEUG	nicht überwacht	0
16	D32	0	16	HAUPTWERTZEUG	nicht überwacht	0
17	D36	0	17	HAUPTWERTZEUG	nicht überwacht	0
18	D38	0	18	HAUPTWERTZEUG	nicht überwacht	0
19	D30	0	19	HAUPTWERTZEUG	nicht überwacht	0
20	D40	0	20	HAUPTWERTZEUG	nicht überwacht	0
21	D42	0	21	HAUPTWERTZEUG	nicht überwacht	0
22	D44	0	22	HAUPTWERTZEUG	nicht überwacht	0
23	D45	0	23	HAUPTWERTZEUG	nicht überwacht	0
24	D40	0	24	HAUPTWERTZEUG	nicht überwacht	0
25	D50	0	25	HAUPTWERTZEUG	nicht überwacht	0
26	D52	0	26	HAUPTWERTZEUG	nicht überwacht	0
27	D54	0	27	HAUPTWERTZEUG	nicht überwacht	0
28	D55	0	28	HAUPTWERTZEUG	nicht überwacht	0
29	D50	0	29	HAUPTWERTZEUG	nicht überwacht	0
30	D60	0	30	HAUPTWERTZEUG	nicht überwacht	0
31	D62	0	31	HAUPTWERTZEUG	nicht überwacht	0
32		0	32	HAUPTWERTZEUG	nicht überwacht	0



In the new view, the TNC presents all tool information in the following four tabs:

- **Tools:**
Tool specific information
- **Tool pockets:**
Pocket-specific information
- **Tooling list:**
List of all tools in the NC program that is selected in the Program Run mode (only if you have already made a tool usage file, see "Tool usage test", page 164)
- **T usage order:**
List of the sequence of all tools that are inserted in the program selected in the Program Run mode (only if you have already made a tool usage file, see "Tool usage test", page 164)



You can edit the tool data only in the form view, which you can activate by pressing the FORM FOR TOOL soft key or the ENT key for the currently highlighted tool.

Erweiterte Werkzeug-Verwaltung

Program run full sequence

Werkzeuge	Platz	Besteckungsliste	T-Einsatzfolge	Standzeit	RESTSTANDZ		
T-NR	NAME	PTVP	TL	PLATZ	MAGAZIN	Standzeit	RESTSTANDZ
0	NULLWERKZEUG	0	0	1	Hauptmagazin	nicht	Überwacht 0
1	D2	0	0	2	Hauptmagazin	nicht	Überwacht 0
2	D4	0	0	3	Hauptmagazin	nicht	Überwacht 0
3	D6	0	0	4	Hauptmagazin	nicht	Überwacht 0
4	D8	0	0	5	Hauptmagazin	nicht	Überwacht 0
5	D10	0	0	6	Spindel	nicht	Überwacht 0
6	D12	0	0	7	Hauptmagazin	nicht	Überwacht 0
7	D14	0	0	8	Hauptmagazin	nicht	Überwacht 0
8	D16	0	0	9	Hauptmagazin	nicht	Überwacht 0
9	D18	0	0	10	Hauptmagazin	nicht	Überwacht 0
10	D20	0	0	11	Hauptmagazin	nicht	Überwacht 0
11	D22	0	0	12	Hauptmagazin	nicht	Überwacht 0
12	D24	0	0	13	Hauptmagazin	nicht	Überwacht 0
13	D26	0	0	14	Hauptmagazin	nicht	Überwacht 0
14	D28	0	0	15	Hauptmagazin	nicht	Überwacht 0
15	D30	0	0	16	Hauptmagazin	nicht	Überwacht 0
16	D32	0	0	17	Hauptmagazin	nicht	Überwacht 0
17	D34	0	0	18	Hauptmagazin	nicht	Überwacht 0
18	D36	0	0	19	Hauptmagazin	nicht	Überwacht 0
19	D38	0	0	20	Hauptmagazin	nicht	Überwacht 0
20	D40	0	0	21	Hauptmagazin	nicht	Überwacht 0
21	D42	0	0	22	Hauptmagazin	nicht	Überwacht 0
22	D44	0	0	23	Hauptmagazin	nicht	Überwacht 0
23	D46	0	0	24	Hauptmagazin	nicht	Überwacht 0
24	D48	0	0	25	Hauptmagazin	nicht	Überwacht 0
25	D50	0	0	26	Hauptmagazin	nicht	Überwacht 0
26	D52	0	0	27	Hauptmagazin	nicht	Überwacht 0
27	D54	0	0	28	Hauptmagazin	nicht	Überwacht 0
28	D56	0	0	29	Hauptmagazin	nicht	Überwacht 0
29	D58	0	0	30	Hauptmagazin	nicht	Überwacht 0
30	D60	0	0	31	Hauptmagazin	nicht	Überwacht 0
31	D62	0	0	32	Hauptmagazin	nicht	Überwacht 0
32	D64	0	0	32	Hauptmagazin	nicht	Überwacht 0

BEGIN END PAGE PAGE MAGAZINE MANAGEMENT FORM FOR TOOL END

Erweiterte Werkzeug-Verwaltung

Program run full sequence

Werkzeug-Index *

Informationen

NAME NULLWERKZEUG T-Nr. 0

DOC TS-Number

Platz-Number PTVP 0

RT 0

Basisdaten

Verschleiß-Daten

DL +0 DR +0 DR2 +0

Zusatz-Daten

LCUTS +0 T-ANGLE +0 NMAX

Standzeit-Daten

TINE1 0 TINE2 0 CUR TIME 0 TL

Schnittdaten

TVP RILL

Sonderfunktionen

LAST USE

LIFTOFF

TT-Daten

L-OFFS +0 R-OFFS +0 LTOL 0 RTOL 0

LBREK 0 RBREK 0 CUT 0 DIRECT +

PLC-Daten

PLC-Bit 0 PLC-Bit 1 PLC-Bit 2 PLC-Bit 3 PLC-Bit 4 PLC-Bit 5 PLC-Bit 6 PLC-Bit 7


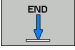







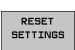
TOOL TOOL TOOL TOOL EDIT

END



Operating the tool management

The tool management can be operated by mouse or with the keys and soft keys:






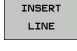
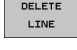

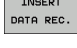
Editing functions for tool management	Soft key
Select beginning of table	
Select end of table	
Select previous page in table	
Select next page in table	
Call the fillable form view for the tool or magazine pocket highlighted in the table. Alternative function: Press the ENT key	
Go to the next tab: Tools, Pockets, Tooling list, T usage order	
Search function (Find): Here you can select the column to be searched and the search term via a list or by entering it	
Show programmed-tools column (if Pockets tab is active)	
Define the settings: <ul style="list-style-type: none"> ■ SORT COLUMN active: Click the column header to sort the content of the column ■ MOVE COLUMN active: The column can be moved by drag and drop 	
Reset the manually changed settings (moved columns) to original condition	

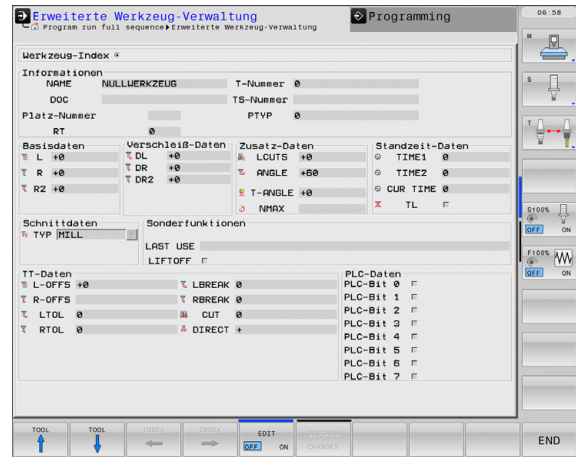
In addition, you can perform the following functions by mouse:

- **Sorting function**
You can sort the data in ascending or descending order (depending on the active setting) by clicking a column of the table head.
- **Moving columns**
You can arrange the columns in any sequence you want by clicking a column of the table head and then moving it with the mouse key pressed down. The TNC does not save the current column sequence when you exit the tool management (depending on the active setting).
- **Showing additional information in the fillable form view**
The TNC displays tool tips when you leave the mouse pointer on an active input field for more than a second and when you have set the EDIT ON/OFF soft key to ON.



If the form view is active, the following functions are available to you:

Editing functions, form view	Soft key
Select the tool data of the previous tool	
Select the tool data of the next tool	
Select previous tool index (only active if indexing is enabled)	
Select the next tool index (only active if indexing is enabled)	
Discard all changes made since the form was last called ("Undo" function)	
Insert a line (tool index) (2nd soft-key row)	
Delete a line (tool index) (2nd soft-key row)	
Copy the tool data of the selected tool (2nd soft-key row)	
Insert the copied tool data in the selected tool (2nd soft-key row)	



Importing tool data

Using this function you can simply import tool data that you have measured externally on a presetting device, for example. The file to be imported must have the CSV format (**c**omma **s**eparated **v**alue). The **CSV** file format describes the structure of a text file for exchanging simply structured data. Accordingly, the import file must have the following structure:

■ **Line 1:**

In the first line you define the column names in which the data defined in the subsequent lines is to be placed. The column names are separated from each other by commas.

■ **Other lines:**

All the other lines contain the data that you wish to import into the tool table. The order of the data must match the order of the column names in Line 1. The data is separated by commas, decimal numbers are to be defined with a decimal point.

Follow the steps outlined below for importing:

- ▶ Copy the tool table to be imported to the hard disk of the TNC in the **TNC:\systems\tooltab** directory
- ▶ Start Extended Tool Management
- ▶ Select the IMPORT TOOL soft key in the Tool Management: The TNC shows a pop-up window with the CSV files stored in the **TNC:\systems\tooltab** directory
- ▶ Use the arrow keys or mouse to select the file to be imported and confirm with the ENT key: The TNC shows the content of the CSV file in a pop-up window
- ▶ Start import procedure with START soft key



- The CSV file to be imported must be stored in the **TNC:\system\tooltab** directory.
- If you import the tool data of tools whose numbers are in the pocket table, the TNC issues an error message. You can then decide whether you want to skip this data record or insert a new tool. The TNC inserts a new tool into the first empty line of the tool table.
- Make sure that the column designations are specified correctly (see "Tool table: Standard tool data" on page 150).
- You can import any tool data, the associated data record does not have to contain all the columns (or data) of the tool table.
- The column names can be in any order, the data must be defined in the corresponding order.



Sample import file:

T, L, R, DL, DR	Line 1 with column names
4, 125.995, 7.995, 0, 0	Line 2 with tool data
9, 25.06, 12.01, 0, 0	Line 3 with tool data
28, 196.981, 35, 0, 0	Line 4 with tool data

Exporting tool data

Using this function you can simply export tool data to read it into the tool database of your CAM system, for example. The TNC stores the exported file in the CSV format (**c**omma **s**eparated **v**alue). The **CSV** file format describes the structure of a text file for exchanging simply structured data. The export file has the following structure:

■ Line 1:

In the first line the TNC stores the column names of all the relevant tool data to be defined. The column names are separated from each other by commas.

■ Other lines:

All the other lines contain the data of the tools that you have exported. The order of the data matches the order of the column names in Line 1. The data is separated by commas, the TNC outputs decimal numbers with a decimal point.

Follow the steps outlined below for exporting:

- ▶ In the tool management you use the arrow keys or mouse to mark the tool data that you wish to export
- ▶ Select the EXPORT TOOL soft key, the TNC shows a pop-up window: specify the name for the CSV file, confirm with the ENT key
- ▶ Start the export procedure with the START soft key: The TNC shows the status of the export procedure in a pop-up window
- ▶ Terminate the export procedure by pressing the END key or soft key



The TNC always stores the exported CSV file in the **TNC:\system\tooltab** directory.



Deleting marked tool data

Using this function you can simply delete tool data that you no longer need.

Follow the steps outlined below for deleting:

- ▶ In the tool management you use the arrow keys or mouse to mark the tool data that you wish to delete
- ▶ Select the DELETE MARKED TOOLS soft key and the TNC shows a pop-up window listing the tool data to be deleted
- ▶ Start the delete procedure with the START soft key: The TNC shows the status of the delete procedure in a pop-up window
- ▶ Terminate the delete procedure by pressing the END key or soft key



- The TNC deletes all the data of all the tools selected. Make sure that you really no longer need the tool data, because there is no Undo function available.
- You cannot delete the tool data of tools still stored in the pocket table. First remove the tool from the magazine.



5.3 Tool Compensation

Introduction

The TNC adjusts the spindle path in the spindle axis by the compensation value for the tool length. In the working plane, it compensates the tool radius.

If you are writing the part program directly on the TNC, the tool radius compensation is effective only in the working plane. The TNC accounts for the compensation value in up to five axes including the rotary axes.

Tool length compensation

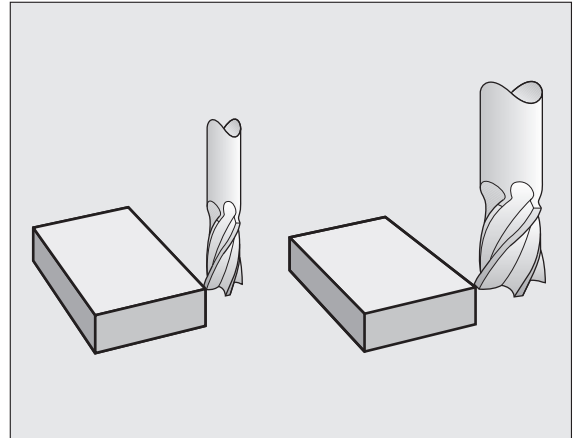
Length compensation becomes effective automatically as soon as a tool is called. To cancel length compensation, call a tool with the length $L=0$.



Caution: Danger of collision!

If you cancel a positive length compensation with **TOOL CALL 0** the distance between tool and workpiece will be reduced.

After **TOOL CALL** the path of the tool in the spindle axis, as entered in the part program, is adjusted by the difference between the length of the previous tool and that of the new one.



For tool length compensation, the control takes the delta values from both the **TOOL CALL** block and the tool table into account:

Compensation value = $L + DL_{\text{TOOL CALL}} + DL_{\text{TAB}}$ where

L: Tool length **L** from the **TOOL DEF** block or tool table
DL_{TOOL CALL}: Oversize for length **DL** in the **TOOL CALL 0** block
DL_{TAB}: Oversize for length **DL** in the tool table

Tool radius compensation

The NC block for programming a tool movement contains:

- **RL** or **RR** for radius compensation
- **R0** if there is no radius compensation

Radius compensation becomes effective as soon as a tool is called and is moved with a straight line block in the working plane with **RL** or **RR**.



The TNC automatically cancels radius compensation if you:

- program a straight line block with **R0**
- depart the contour with the **DEP** function
- program a **PGM CALL**
- select a new program with **PGM MGT.**

For radius compensation, the TNC takes the delta values from both the **TOOL CALL** block and the tool table into account:

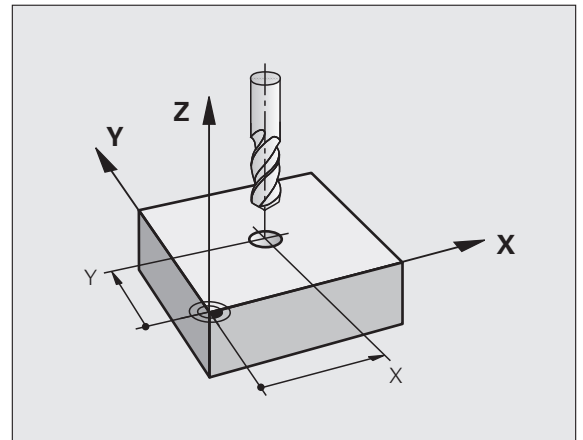
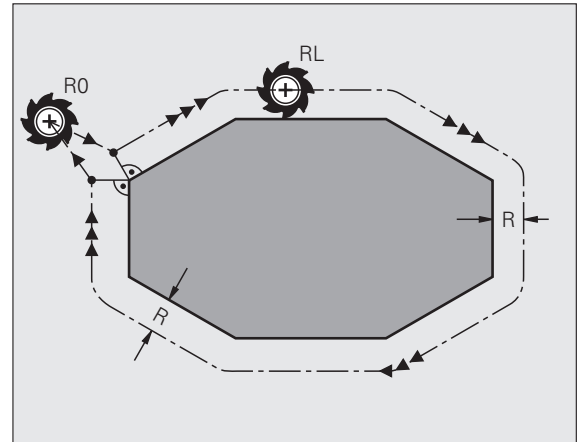
Compensation value = $R + DR_{\text{TOOL CALL}} + DR_{\text{TAB}}$ where

- R:** Tool radius **R** from the **TOOL DEF** block or tool table
DR_{TOOL CALL}: Oversize for radius **DR** in the **TOOL CALL** block
DR_{TAB}: Oversize for radius **DR** in the tool table

Contouring without radius compensation: R0

The tool center moves in the working plane along the programmed path or to the programmed coordinates.

Applications: Drilling and boring, pre-positioning



Contouring with radius compensation: RR and RL

RR The tool moves to the right of the programmed contour

RL The tool moves to the left of the programmed contour

The tool center moves along the contour at a distance equal to the radius. "Right" or "left" are to be understood as based on the direction of tool movement along the workpiece contour. See figures.



Between two program blocks with different radius compensations **RR** and **RL** you must program at least one traversing block in the working plane without radius compensation (that is, with **RO**).

The TNC does not put radius compensation into effect until the end of the block in which it is first programmed.

In the first block in which radius compensation is activated with **RR/RL** or canceled with **RO** the TNC always positions the tool perpendicular to the programmed starting or end position. Position the tool at a sufficient distance from the first or last contour point to prevent the possibility of damaging the contour.

Entering radius compensation

Radius compensation is entered in an **L** block. Enter the coordinates of the target point and confirm your entry with ENT

RADIUS COMP.: RL/RR/NO COMP.?

RL

Select tool movement to the left of the contour: Press the RL soft key, or

RR

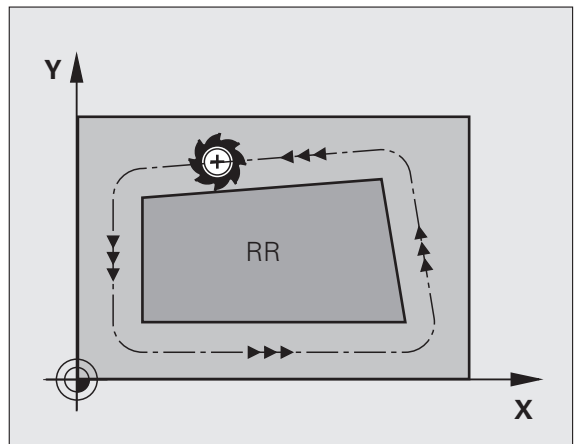
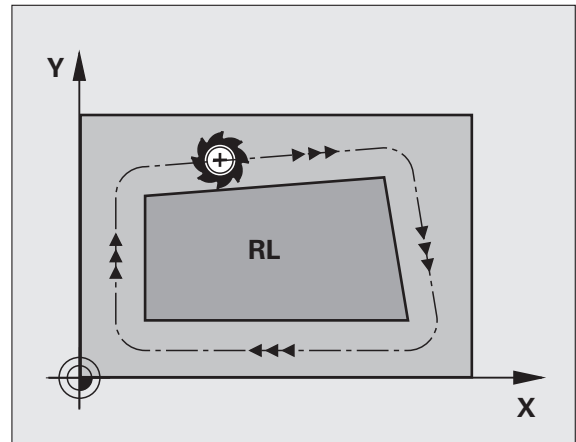
Select tool movement to the right of the contour: Press the RR soft key, or

ENT

Select tool movement without radius compensation or cancel radius compensation: Press the ENT key

END

Terminate the block: Press the END key



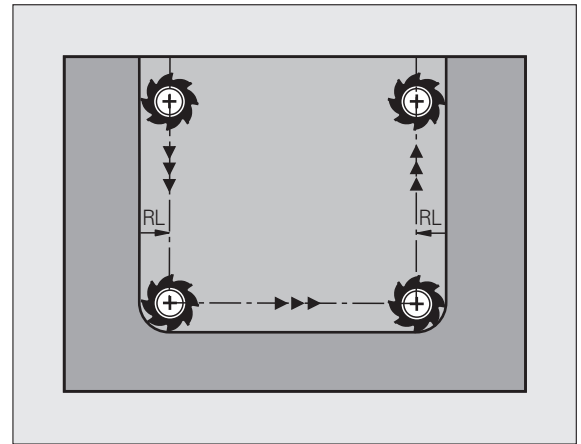
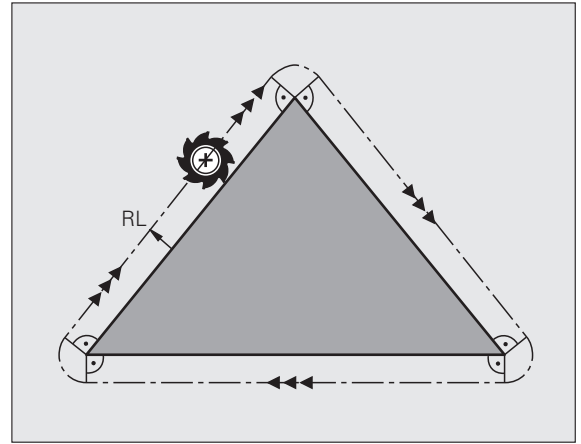
Radius compensation: Machining corners

- Outside corners:**
 If you program radius compensation, the TNC moves the tool around outside corners on a transitional arc. If necessary, the TNC reduces the feed rate at outside corners to reduce machine stress, for example at very great changes of direction.
- Inside corners:**
 The TNC calculates the intersection of the tool center paths at inside corners under radius compensation. From this point it then starts the next contour element. This prevents damage to the workpiece at the inside corners. The permissible tool radius, therefore, is limited by the geometry of the programmed contour.



Danger of collision!

To prevent the tool from damaging the contour, be careful not to program the starting or end position for machining inside corners at a corner of the contour.





6

**Programming:
Programming Contours**



6.1 Tool Movements

Path functions

A workpiece contour is usually composed of several contour elements such as straight lines and circular arcs. With the path functions, you can program the tool movements for **straight lines** and **circular arcs**.

FK free contour programming

If a production drawing is not dimensioned for NC and the dimensions given are not sufficient for creating a part program, you can program the workpiece contour with the FK free contour programming. The TNC calculates the missing data.

With FK programming, you also program tool movements for **straight lines** and **circular arcs**.

Miscellaneous functions M

With the TNC's miscellaneous functions you can affect

- the program run, e.g., a program interruption
- the machine functions, such as switching spindle rotation and coolant supply on and off
- the path behavior of the tool

Subprograms and program section repeats

If a machining sequence occurs several times in a program, you can save time and reduce the chance of programming errors by entering the sequence once and then defining it as a subprogram or program section repeat. If you wish to execute a specific program section only under certain conditions, you also define this machining sequence as a subprogram. In addition, you can have a part program call a separate program for execution.

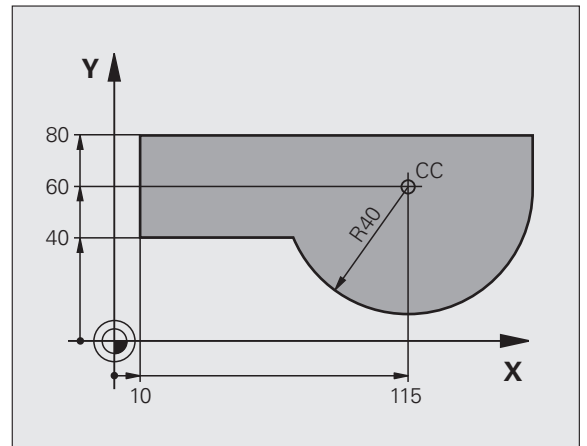
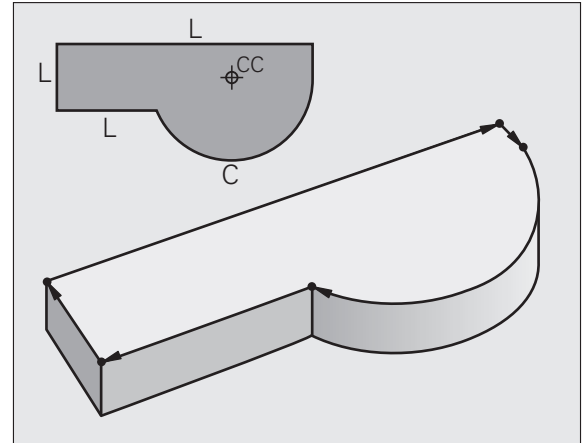
Programming with subprograms and program section repeats is described in Chapter 7.

Programming with Q parameters

Instead of programming numerical values in a part program, you enter markers called Q parameters. You assign the values to the Q parameters separately with the Q parameter functions. You can use the Q parameters for programming mathematical functions that control program execution or describe a contour.

In addition, parametric programming enables you to measure with the 3-D touch probe during program run.

Programming with Q parameters is described in Chapter 8.



6.2 Fundamentals of Path Functions

Programming tool movements for workpiece machining

You create a part program by programming the path functions for the individual contour elements in sequence. You usually do this by entering **the coordinates of the end points of the contour elements** given in the production drawing. The TNC calculates the actual path of the tool from these coordinates, and from the tool data and radius compensation.

The TNC moves all axes programmed in a single block simultaneously.

Movement parallel to the machine axes

The program block contains only one coordinate. The TNC thus moves the tool parallel to the programmed axis.

Depending on the individual machine tool, the part program is executed by movement of either the tool or the machine table on which the workpiece is clamped. Nevertheless, you always program path contours as if the tool were moving and the workpiece remaining stationary.

Example:

```
50 L X+100
```

50	Block number
L	Path function "straight line at "
X+100	Coordinate of the end point

The tool retains the Y and Z coordinates and moves to the position X=100. See figure.

Movement in the main planes

The program block contains two coordinates. The TNC thus moves the tool in the programmed plane.

Example:

```
L X+70 Y+50
```

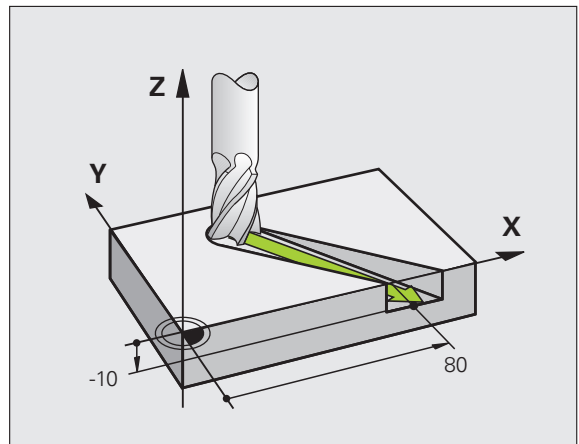
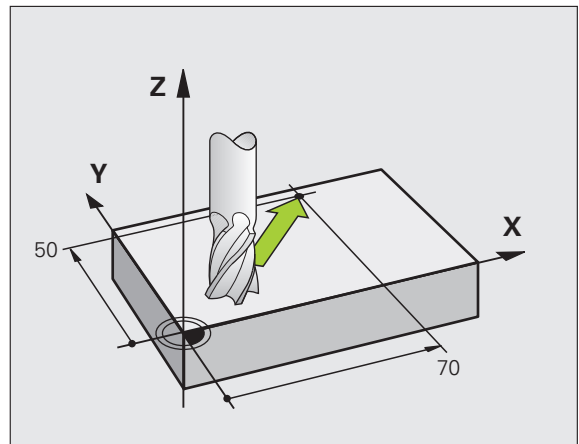
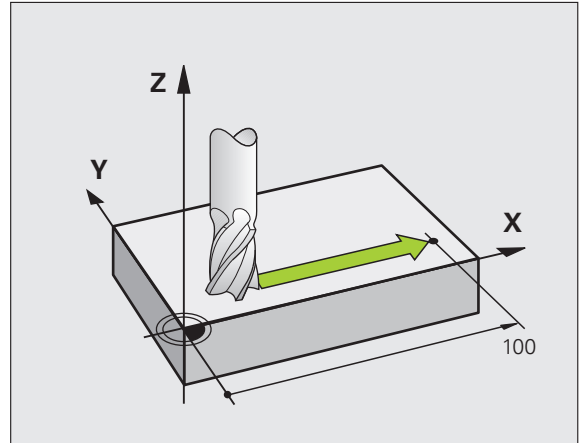
The tool retains the Z coordinate and moves in the XY plane to the position X=70, Y=50 (see figure).

Three-dimensional movement

The program block contains three coordinates. The TNC thus moves the tool in space to the programmed position.

Example:

```
L X+80 Y+0 Z-10
```



Circles and circular arcs

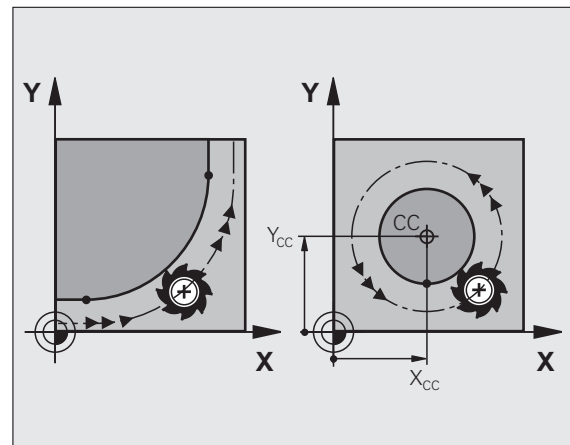
The TNC moves two axes simultaneously on a circular path relative to the workpiece. You can define a circular movement by entering the circle center CC.

When you program a circle, the control assigns it to one of the main planes. This plane is defined automatically when you set the spindle axis during a TOOL CALL:

Spindle axis	Main plane
Z	XY , also UV, XV, UY
Y	ZX , also WU, ZU, WX
X	YZ , also VW, YW, VZ



You can program circles that do not lie parallel to a main plane by using the function for tilting the working plane (see User's Manual for Cycles, Cycle 19, WORKING PLANE) or Q parameters (see "Principle and Overview", page 248).



Direction of rotation DR for circular movements

When a circular path has no tangential transition to another contour element, enter the direction of rotation as follows:

Clockwise direction of rotation: **DR-**

Counterclockwise direction of rotation: **DR+**

Radius compensation

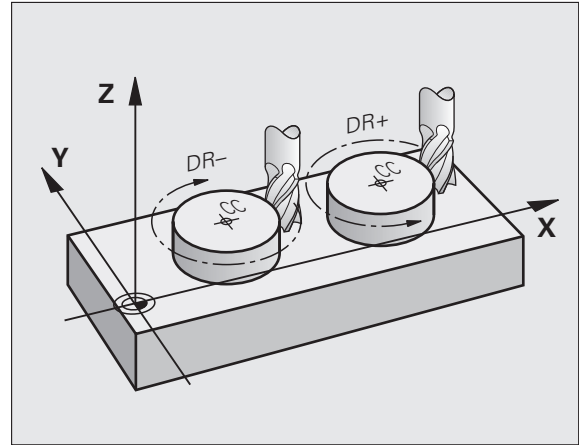
The radius compensation must be in the block in which you move to the first contour element. You cannot activate radius compensation in a circle block. Activate it beforehand in a straight-line block (see "Path Contours—Cartesian Coordinates", page 191) or approach block (APPR block, see "Contour Approach and Departure", page 183).

Pre-positioning



Danger of collision!

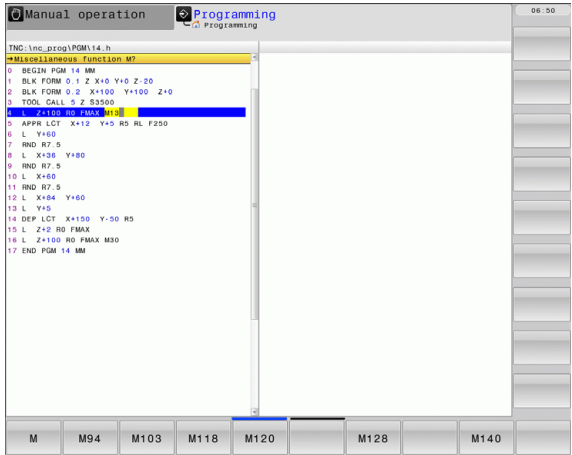
Before running a part program, always pre-position the tool to prevent the possibility of damaging it or the workpiece.



Creating the program blocks with the path function keys

The gray path function keys initiate the plain-language dialog. The TNC asks you successively for all the necessary information and inserts the program block into the part program.

Example—programming a straight line:



Initiate the programming dialog, e.g. for a straight line

COORDINATES?

X Enter the coordinates of the straight-line end point, e.g. -20 in X

COORDINATES?

Y Enter the coordinates of the straight-line end point, e.g. 30 in Y, and confirm with the ENT key

RADIUS COMP.: RL/RR/NO COMP.?

R0 Select the radius compensation (here, press the R0 soft key—the tool moves without compensation)

FEED RATE F=? / F MAX = ENT

100 **ENT** Enter the feed rate (here, 100 mm/min), and confirm your entry with ENT. For programming in inches, enter 100 for a feed rate of 10 ipm

F MAX Move at rapid traverse: Press the F MAX soft key, or

F AUTO Traverse with the feed rate defined in the **TOOL CALL** block: Press the F AUTO soft key

MISCELLANEOUS FUNCTION M?

3 **ENT** Enter a miscellaneous function (here, M3), and terminate the dialog with ENT

The part program now contains the following line:

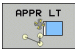

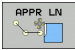
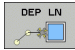
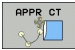



L X-20 Y+30 R0 FMAX M3



6.3 Contour Approach and Departure

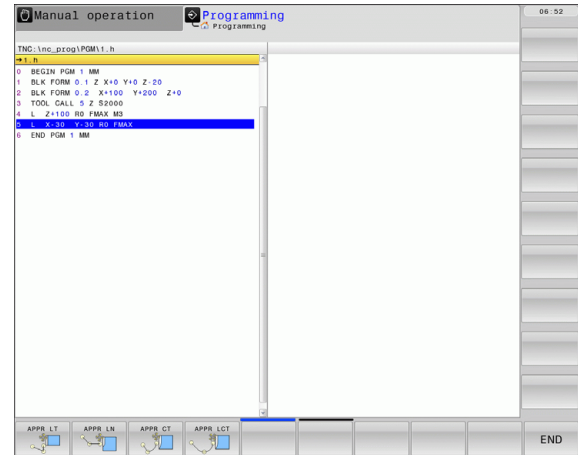
Overview: Types of paths for contour approach and departure

The functions for contour approach APPR and departure DEP are activated with the APPR/DEP key. You can then select the desired path function with the corresponding soft key:

Function	Approach	Departure
Straight line with tangential connection		
Straight line perpendicular to a contour point		
Circular arc with tangential connection		
Circular arc with tangential connection to the contour. Approach and departure to an auxiliary point outside the contour on a tangentially connecting line		

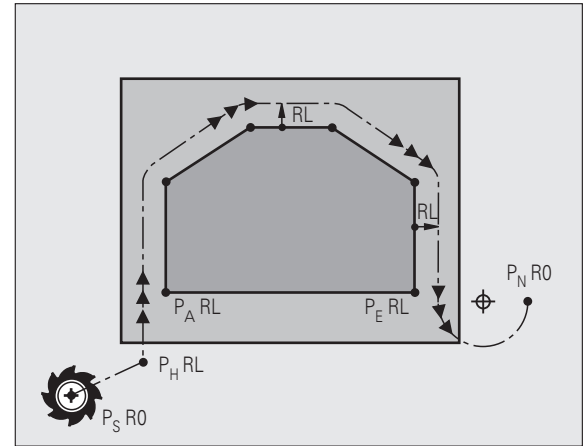
Approaching and departing a helix

The tool approaches and departs a helix on its extension by moving in a circular arc that connects tangentially to the contour. You program helical approach and departure with the APPR CT and DEP CT functions.



Important positions for approach and departure

- Starting point P_S
You program this position in the block before the APPR block. P_S lies outside the contour and is approached without radius compensation (R0).
- Auxiliary point P_H
Some of the paths for approach and departure go through an auxiliary point P_H that the TNC calculates from your input in the APPR or DEP block. The TNC moves from the current position to the auxiliary point P_H at the feed rate last programmed. If you have programmed **FMAX** (positioning at rapid traverse) in the last positioning block before the approach function, the TNC also approaches the auxiliary point P_H at rapid traverse.
- First contour point P_A and last contour point P_E
You program the first contour point P_A in the APPR block. The last contour point P_E can be programmed with any path function. If the APPR block also contains a Z axis coordinate, the TNC will first move the tool to P_H in the working plane, and then move it to the entered depth in the tool axis.
- End point P_N
The position P_N lies outside of the contour and results from your input in the DEP block. If the DEP block also contains a Z axis coordinate, the TNC will first move the tool to P_N in the working plane, and then move it to the entered height in the tool axis.



Abbreviation	Meaning
APPR	Approach
DEP	Departure
L	Line
C	Circle
T	Tangential (smooth connection)
N	Normal (perpendicular)



When moving from the present position to the auxiliary point P_H the TNC does not check whether the programmed contour will be damaged. Use the test graphics to check.

With the APPR LT, APPR LN and APPR CT functions, the TNC moves the tool from the actual position to the auxiliary point P_H at the feed rate that was last programmed. With the APPR LCT function, the TNC moves to the auxiliary point P_H at the feed rate programmed with the APPR block. If no feed rate is programmed before the approach block, the TNC generates an error message.

Polar coordinates

You can also program the contour points for the following approach/departure functions over polar coordinates:

- APPR LT becomes APPR PLT
- APPR LN becomes APPR PLN
- APPR CT becomes APPR PCT
- APPR LCT becomes APPR PLCT
- DEP LCT becomes DEP PLCT

Select by soft key an approach or departure function, then press the orange P key.

Radius compensation

The tool radius compensation is programmed together with the first contour point P_A in the APPR block. The DEP blocks automatically discard the tool radius compensation.

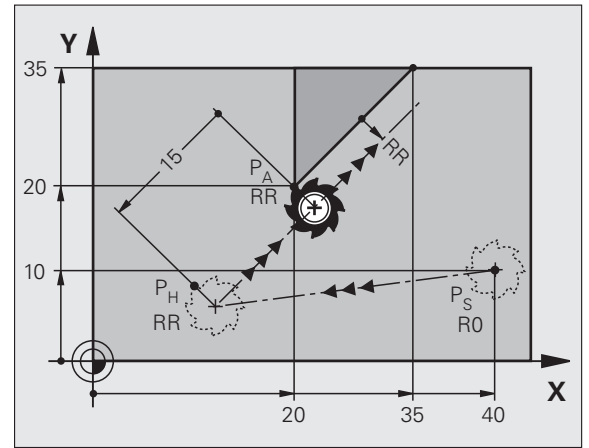
Contour approach without radius compensation: If you program the APPR block with R0, the TNC will calculate the tool path for a tool radius of 0 mm and a radius compensation RR! The radius compensation is necessary to set the direction of contour approach and departure in the APPR/DEP LN and APPR/DEP CT functions. In addition, you must program both coordinates in the working plane in the first traverse block after APPR.



Approaching on a straight line with tangential connection: APPR LT

The tool moves on a straight line from the starting point P_S to an auxiliary point P_H . It then moves to the first contour point P_A on a straight line that connects tangentially to the contour. The auxiliary point P_H is separated from the first contour point P_A by the distance LEN.

- ▶ Use any path function to approach the starting point P_S
- ▶ Initiate the dialog with the APPR/DEP key and APPR LT soft key:
 - ▶ Coordinates of the first contour point P_A
 - ▶ LEN: Distance from the auxiliary point P_H to the first contour point P_A
 - ▶ Radius compensation RR/RL for machining



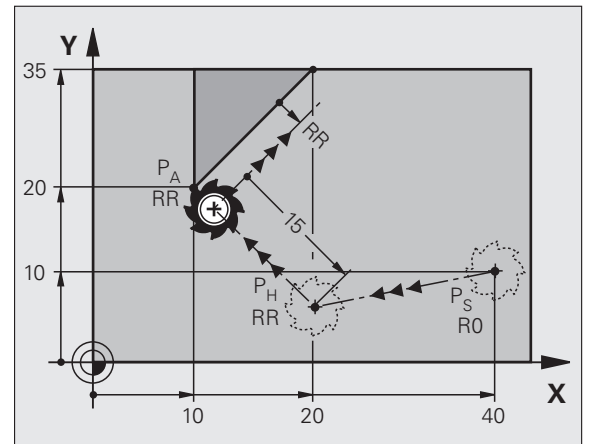
Example NC blocks

7 L X+40 Y+10 R0 FMAX M3	Approach P_S without radius compensation
8 APPR LT X+20 Y+20 Z-10 LEN15 RR F100	P_A with radius comp. RR, distance P_H to P_A : LEN=15
9 L X+35 Y+35	End point of the first contour element
10 L ...	Next contour element

Approaching on a straight line perpendicular to the first contour point: APPR LN

The tool moves on a straight line from the starting point P_S to an auxiliary point P_H . It then moves to the first contour point P_A on a straight line perpendicular to the first contour element. The auxiliary point P_H is separated by the distance LEN plus the tool radius from the first contour point P_A .

- ▶ Use any path function to approach the starting point P_S
- ▶ Initiate the dialog with the APPR/DEP key and APPR LN soft key:
 - ▶ Coordinates of the first contour point P_A
 - ▶ Length: Distance to the auxiliary point P_H . Always enter LEN as a positive value!
 - ▶ Radius compensation RR/RL for machining



Example NC blocks

7 L X+40 Y+10 R0 FMAX M3	Approach P_S without radius compensation
8 APPR LN X+10 Y+20 Z-10 LEN15 RR F100	P_A with radius comp. RR
9 L X+20 Y+35	End point of the first contour element
10 L ...	Next contour element

Approaching on a circular path with tangential connection: APPR CT

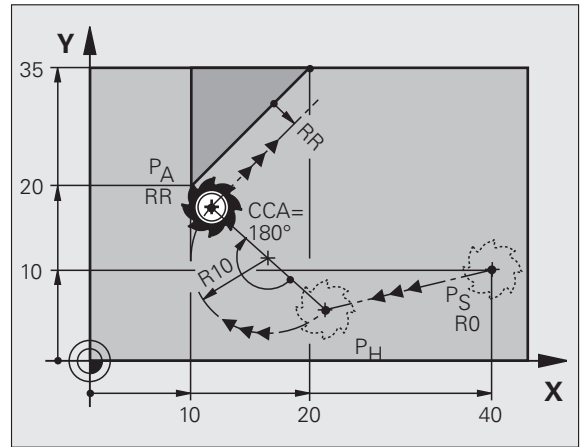
The tool moves on a straight line from the starting point P_S to an auxiliary point P_H . It then moves to the first contour point P_A following a circular arc that is tangential to the first contour element.

The arc from P_H to P_A is determined through the radius R and the center angle CCA . The direction of rotation of the circular arc is automatically derived from the tool path for the first contour element.

- ▶ Use any path function to approach the starting point P_S
- ▶ Initiate the dialog with the APPR/DEP key and APPR CT soft key:



- ▶ Coordinates of the first contour point P_A
- ▶ Radius R of the circular arc
 - If the tool should approach the workpiece in the direction defined by the radius compensation: Enter R as a positive value
 - If the tool should approach from the workpiece side: Enter R as a negative value
- ▶ Center angle CCA of the arc
 - CCA can be entered only as a positive value
 - Maximum input value 360°
- ▶ Radius compensation RR/RL for machining



Example NC blocks

7 L X+40 Y+10 R0 FMAX M3	Approach P_S without radius compensation
8 APPR CT X+10 Y+20 Z-10 CCA180 R+10 RR F100	P_A with radius comp. RR , radius $R=10$
9 L X+20 Y+35	End point of the first contour element
10 L ...	Next contour element



Approaching on a circular arc with tangential connection from a straight line to the contour: APPR LCT

The tool moves on a straight line from the starting point P_S to an auxiliary point P_H . It then moves to the first contour point P_A on a circular arc. The feed rate programmed in the APPR block is effective for the entire path that the TNC traversed in the approach block (path P_S to P_A).

If you have programmed the coordinates of all three principal axes X, Y and Z in the approach block, the TNC moves the tool from the position defined before the APPR block simultaneously in all three axes to the auxiliary point P_H and then, only in the working plane, from P_H to P_A .

The arc is connected tangentially both to the line P_S - P_H as well as to the first contour element. Once these lines are known, the radius then suffices to completely define the tool path.

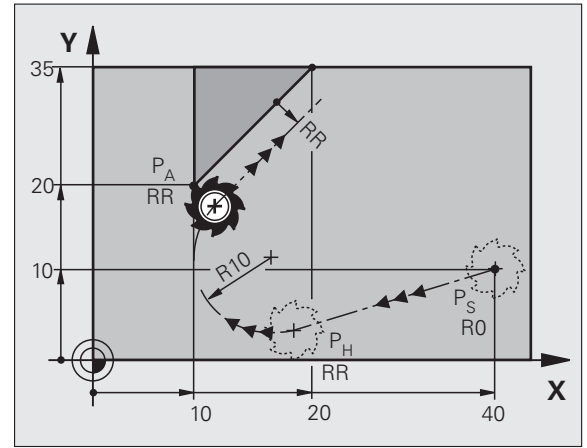
- ▶ Use any path function to approach the starting point P_S
- ▶ Initiate the dialog with the APPR/DEP key and APPR LCT soft key:



- ▶ Coordinates of the first contour point P_A
- ▶ Radius R of the circular arc. Enter R as a positive value
- ▶ Radius compensation RR/RL for machining

Example NC blocks

7 L X+40 Y+10 R0 FMAX M3	Approach P_S without radius compensation
8 APPR LCT X+10 Y+20 Z-10 R10 RR F100	P_A with radius comp. RR, radius R=10
9 L X+20 Y+35	End point of the first contour element
10 L ...	Next contour element



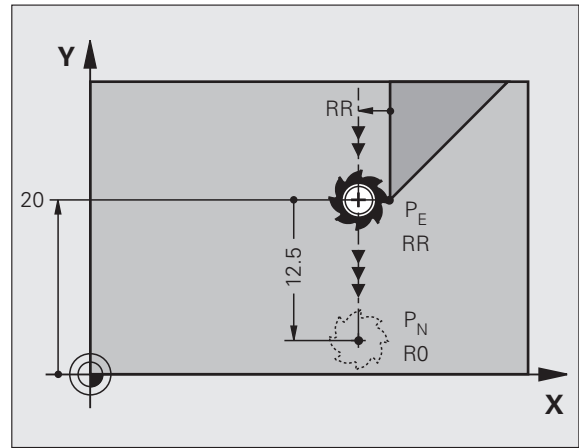
Departing on a straight line with tangential connection: DEP LT

The tool moves on a straight line from the last contour point P_E to the end point P_N . The line lies on the extension of the last contour element. P_N is separated from P_E by the distance LEN.

- ▶ Program the last contour element with the end point P_E and radius compensation
- ▶ Initiate the dialog with the APPR/DEP key and DEP LT soft key:



- ▶ LEN: Enter the distance from the last contour element P_E to the end point P_N



Example NC blocks

23 L Y+20 RR F100

Last contour element: P_E with radius compensation

24 DEP LT LEN12.5 F100

Depart contour by LEN=12.5 mm

25 L Z+100 FMAX M2

Retract in Z, return to block 1, end program

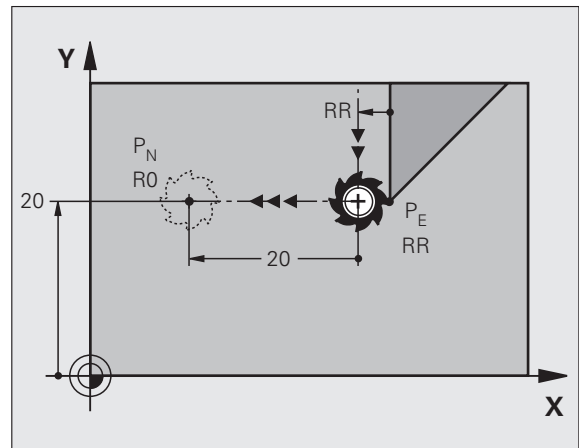
Departing on a straight line perpendicular to the last contour point: DEP LN

The tool moves on a straight line from the last contour point P_E to the end point P_N . The line departs on a perpendicular path from the last contour point P_E . P_N is separated from P_E by the distance LEN plus the tool radius.

- ▶ Program the last contour element with the end point P_E and radius compensation
- ▶ Initiate the dialog with the APPR/DEP key and DEP LN soft key:



- ▶ LEN: Enter the distance from the last contour element to P_N
Always enter LEN as a positive value!



Example NC blocks

23 L Y+20 RR F100

Last contour element: P_E with radius compensation

24 DEP LN LEN+20 F100

Depart perpendicular to contour by LEN=20 mm

25 L Z+100 FMAX M2

Retract in Z, return to block 1, end program

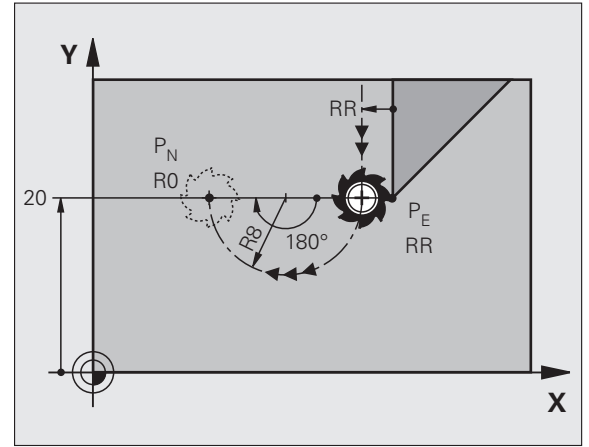
Departing on a circular path with tangential connection: DEP CT

The tool moves on a circular arc from the last contour point P_E to the end point P_N . The circular arc connects tangentially to the last contour element.

- ▶ Program the last contour element with the end point P_E and radius compensation
- ▶ Initiate the dialog with the APPR/DEP key and DEP CT soft key:



- ▶ Center angle CCA of the arc
- ▶ Radius R of the circular arc
 - If the tool should depart the workpiece in the direction of the radius compensation (i.e. to the right with RR or to the left with RL): Enter R as a positive value
 - If the tool should depart the workpiece in the direction **opposite** to the radius compensation: Enter R as a negative value



Example NC blocks

23 L Y+20 RR F100	Last contour element: P_E with radius compensation
24 DEP CT CCA 180 R+8 F100	Center angle=180°, arc radius=8 mm
25 L Z+100 FMAX M2	Retract in Z, return to block 1, end program

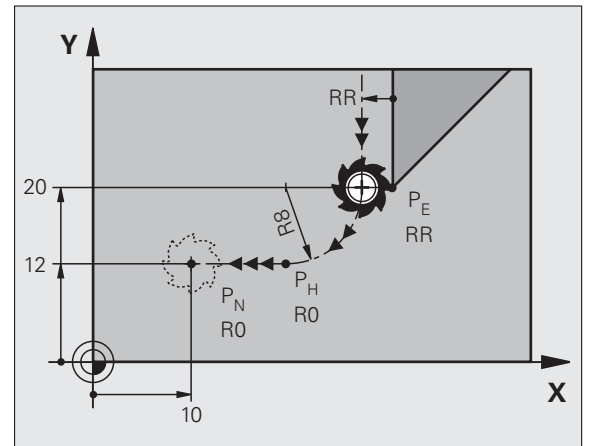
Departing on a circular arc tangentially connecting the contour and a straight line: DEP LCT

The tool moves on a circular arc from the last contour point P_E to an auxiliary point P_H . It then moves on a straight line to the end point P_N . The arc is tangentially connected both to the last contour element and to the line from P_H to P_N . Once these lines are known, the radius R then suffices to completely define the tool path.

- ▶ Program the last contour element with the end point P_E and radius compensation
- ▶ Initiate the dialog with the APPR/DEP key and DEP LCT soft key:



- ▶ Enter the coordinates of the end point P_N
- ▶ Radius R of the circular arc. Enter R as a positive value











Example NC blocks

23 L Y+20 RR F100	Last contour element: P_E with radius compensation
24 DEP LCT X+10 Y+12 R+8 F100	Coordinates P_N , arc radius=8 mm
25 L Z+100 FMAX M2	Retract in Z, return to block 1, end program



6.4 Path Contours—Cartesian Coordinates

Overview of path functions

Function	Path function key	Tool movement	Required input	Page
Line L		Straight line	Coordinates of the end points of the straight line	Page 192
Chamfer CHF		Chamfer between two straight lines	Chamfer side length	Page 193
Circle Center CC		None	Coordinates of the circle center or pole	Page 195
Circle C		Circular arc around a circle center CC to an arc end point	Coordinates of the arc end point, direction of rotation	Page 196
Circular arc CR		Circular arc with a certain radius	Coordinates of the arc end point, arc radius, direction of rotation	Page 197
Circular arc CT		Circular arc with tangential connection to the preceding and subsequent contour elements	Coordinates of the arc end point	Page 199
Corner Rounding RND		Circular arc with tangential connection to the preceding and subsequent contour elements	Rounding radius R	Page 194
FK Free Contour Programming		Straight line or circular path with any connection to the preceding contour element	see "Path Contours—FK Free Contour Programming", page 212	Page 215



Straight line L

The TNC moves the tool in a straight line from its current position to the straight-line end point. The starting point is the end point of the preceding block.



- ▶ **Coordinates** of the end point of the straight line, if necessary
- ▶ **Radius compensation** RL/RR/R0
- ▶ **Feed rate** F
- ▶ **Miscellaneous function** M

Example NC blocks


```
7 L X+10 Y+40 RL F200 M3
```

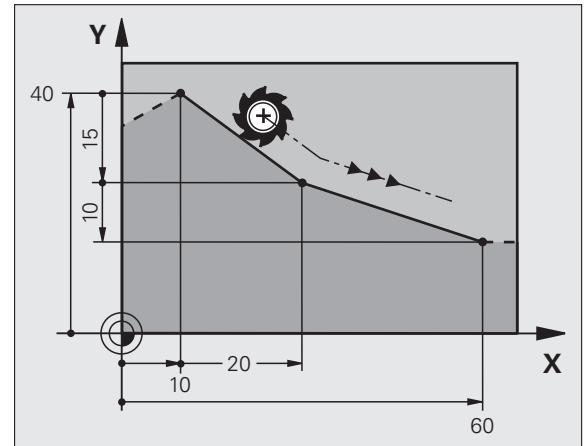
```
8 L IX+20 IY-15
```

```
9 L X+60 IY-10
```

Actual position capture

You can also generate a straight-line block (L block) by using the ACTUAL-POSITION-CAPTURE key:

- ▶ In the Manual Operation mode, move the tool to the position you want to capture
 - ▶ Switch the screen display to Programming and Editing
 - ▶ Select the program block after which you want to insert the L block
-  ▶ Press the ACTUAL-POSITION-CAPTURE key: The TNC generates an L block with the actual position coordinates



Inserting a chamfer between two straight lines

The chamfer enables you to cut off corners at the intersection of two straight lines.

- The line blocks before and after the **CHF** block must be in the same working plane as the chamfer
- The radius compensation before and after the **CHF** block must be the same
- The chamfer must be machinable with the current tool



- ▶ **Chamfer side length:** Length of the chamfer, and if necessary:
- ▶ **Feed rate F** (effective only in **CHF** block)

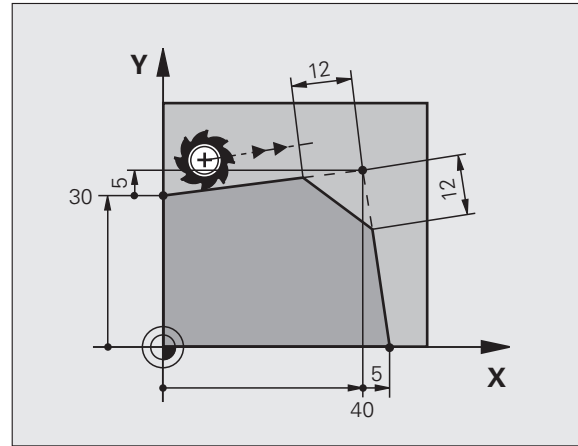
Example NC blocks

```
7 L X+0 Y+30 RL F300 M3
```

```
8 L X+40 IY+5
```

```
9 CHF 12 F250
```

```
10 L IX+5 Y+0
```



You cannot start a contour with a **CHF** block.

A chamfer is possible only in the working plane.

The corner point is cut off by the chamfer and is not part of the contour.

A feed rate programmed in the CHF block is effective only in that block. After the **CHF** block, the previous feed rate becomes effective again.



Corner rounding RND

The **RND** function is used for rounding off corners.

The tool moves on an arc that is tangentially connected to both the preceding and subsequent contour elements.

The rounding arc must be machinable with the called tool.



- ▶ **Rounding radius:** Enter the radius, and if necessary:
- ▶ **Feed rate F** (effective only in **RND** block)

Example NC blocks

```
5 L X+10 Y+40 RL F300 M3
```

```
6 L X+40 Y+25
```

```
7 RND R5 F100
```

```
8 L X+10 Y+5
```

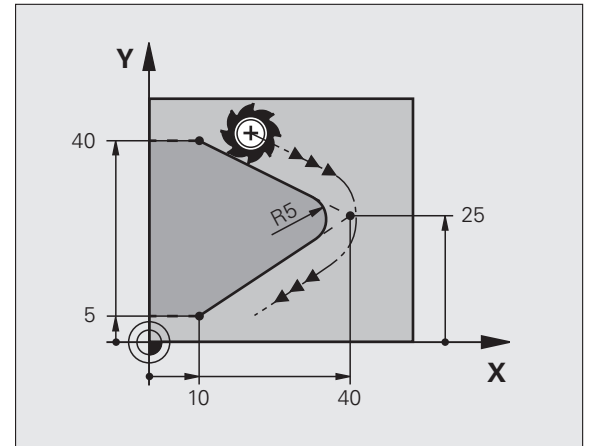


In the preceding and subsequent contour elements, both coordinates must lie in the plane of the rounding arc. If you machine the contour without tool-radius compensation, you must program both coordinates in the working plane.

The corner point is cut off by the rounding arc and is not part of the contour.

A feed rate programmed in the **RND** block is effective only in that **RND** block. After the **RND** block, the previous feed rate becomes effective again.

You can also use an **RND** block for a tangential contour approach.



Circle center CCI

You can define a circle center for circles that you have programmed with the C key (circular path C) . This is done in the following ways:

- Entering the Cartesian coordinates of the circle center in the working plane, or
- Using the circle center defined in an earlier block, or
- Capturing the coordinates with the ACTUAL-POSITION-CAPTURE key



- ▶ Enter the coordinates for the circle center, or
If you want to use the last programmed position, enter no coordinates

Example NC blocks

```
5 CC X+25 Y+25
```

or

```
10 L X+25 Y+25
```

```
11 CC
```

The program blocks 10 and 11 do not refer to the illustration.

Duration of effect

The circle center definition remains in effect until a new circle center is programmed. You can also define a circle center for the secondary axes U, V and W.

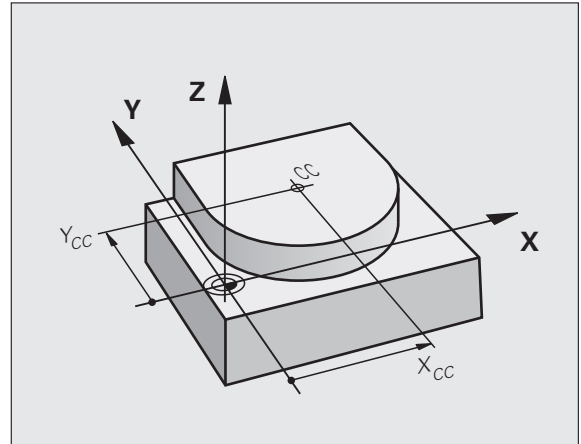
Entering the circle center incrementally

If you enter the circle center with incremental coordinates, you have programmed it relative to the last programmed position of the tool.



The only effect of CC is to define a position as circle center: The tool does not move to this position.

The circle center is also the pole for polar coordinates.



Circular path C around circle center CC

Before programming a circular arc, you must first enter the circle center **CC**. The last programmed tool position will be the starting point of the arc.

- ▶ Move the tool to the circle starting point



- ▶ Enter the **coordinates** of the circle center



- ▶ Enter the **coordinates** of the arc end point, and if necessary:

- ▶ **Direction of rotation DR**

- ▶ **Feed rate F**

- ▶ **Miscellaneous function M**



The TNC normally makes circular movements in the active working plane. If you program circular arcs that do not lie in the active working plane, for example **C Z... X... DR+** with a tool axis Z, and at the same time rotate this movement, then the TNC moves the tool in a spatial arc, which means a circular arc in 3 axes.

Example NC blocks

```
5 CC X+25 Y+25
```

```
6 L X+45 Y+25 RR F200 M3
```

```
7 C X+45 Y+25 DR+
```

Full circle

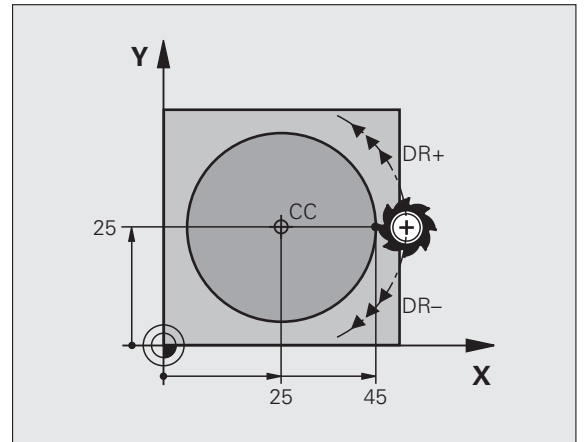
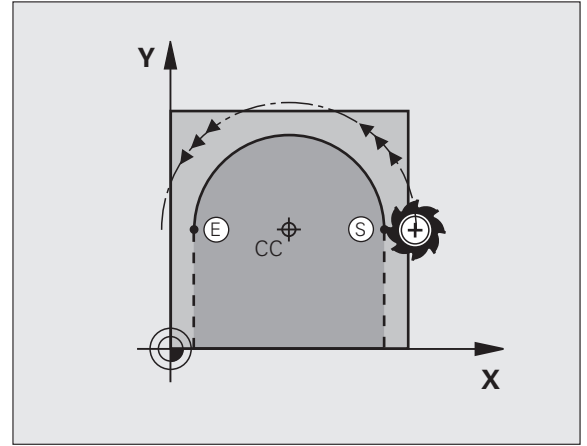
For the end point, enter the same point that you used for the starting point.



The starting and end points of the arc must lie on the circle.

Input tolerance: up to 0.016 mm (selected through the **circleDeviation** machine parameter).

Smallest possible circle that the TNC can traverse: 0.0016 µm.



Circular path CR with defined radius

The tool moves on a circular path with the radius R .

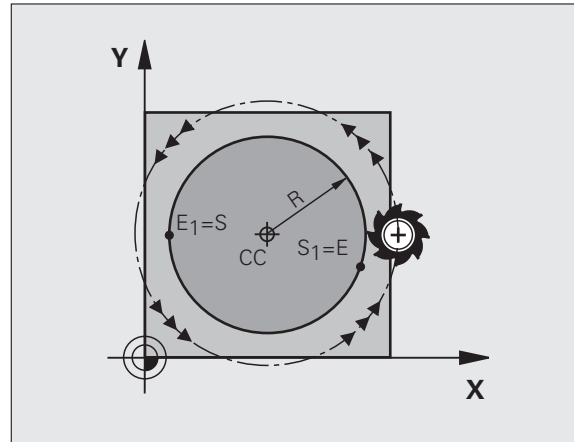


- ▶ **Coordinates** of the arc end point
- ▶ **Radius R**
Note: The algebraic sign determines the size of the arc!
- ▶ **Direction of rotation DR**
Note: The algebraic sign determines whether the arc is concave or convex!
- ▶ **Miscellaneous function M**
- ▶ **Feed rate F**

Full circle

For a full circle, program two blocks in succession:

The end point of the first semicircle is the starting point of the second.
The end point of the second semicircle is the starting point of the first.



Central angle CCA and arc radius R

The starting and end points on the contour can be connected with four arcs of the same radius:

Smaller arc: $CCA < 180^\circ$

Enter the radius with a positive sign $R > 0$

Larger arc: $CCA > 180^\circ$

Enter the radius with a negative sign $R < 0$

The direction of rotation determines whether the arc is curving outward (convex) or curving inward (concave):

Convex: Direction of rotation **DR-** (with radius compensation **RL**)

Concave: Direction of rotation **DR+** (with radius compensation **RL**)

Example NC blocks

```
10 L X+40 Y+40 RL F200 M3
```

```
11 CR X+70 Y+40 R+20 DR- (ARC 1)
```

or

```
11 CR X+70 Y+40 R+20 DR+ (ARC 2)
```

or

```
11 CR X+70 Y+40 R-20 DR- (ARC 3)
```

or

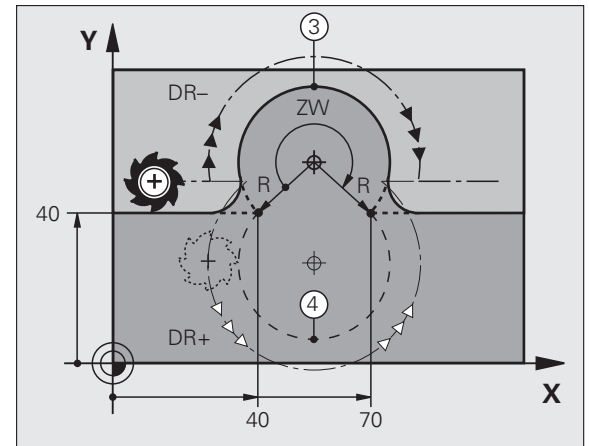
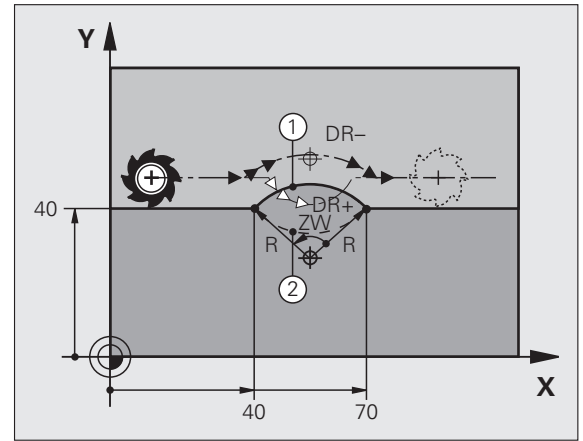
```
11 CR X+70 Y+40 R-20 DR+ (ARC 4)
```



The distance from the starting and end points of the arc diameter cannot be greater than the diameter of the arc.

The maximum radius is 99.9999 m.

You can also enter rotary axes A, B and C.



Circular path CT with tangential connection

The tool moves on an arc that starts tangentially to the previously programmed contour element.

A transition between two contour elements is called tangential when there is no kink or corner at the intersection between the two contours—the transition is smooth.

The contour element to which the tangential arc connects must be programmed immediately before the **CT** block. This requires at least two positioning blocks.



- ▶ **Coordinates** of the arc end point, and if necessary:
- ▶ **Feed rate F**
- ▶ **Miscellaneous function M**

Example NC blocks

```
7 L X+0 Y+25 RL F300 M3
```

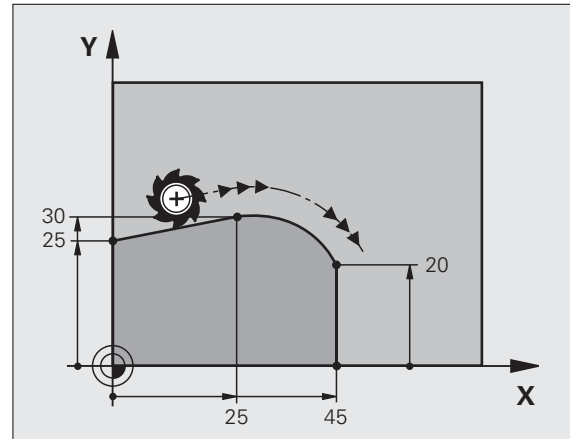
```
8 L X+25 Y+30
```

```
9 CT X+45 Y+20
```

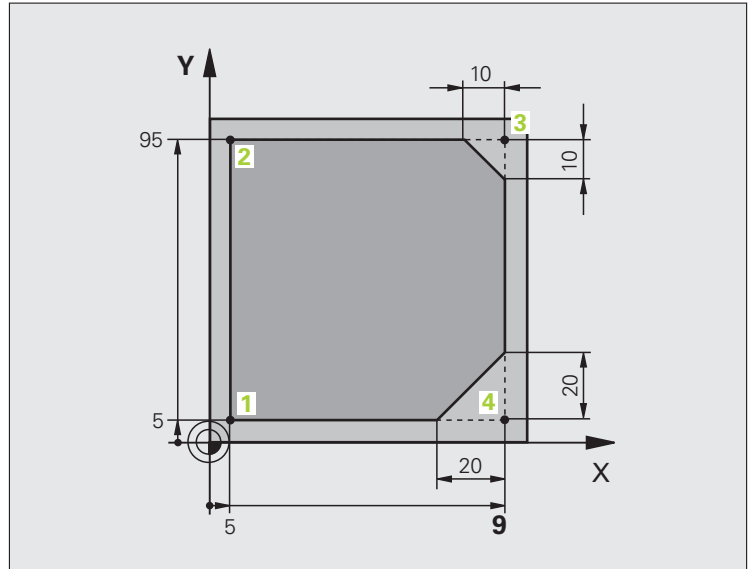
```
10 L Y+0
```



A tangential arc is a two-dimensional operation: the coordinates in the **CT** block and in the contour element preceding it must be in the same plane of the arc!



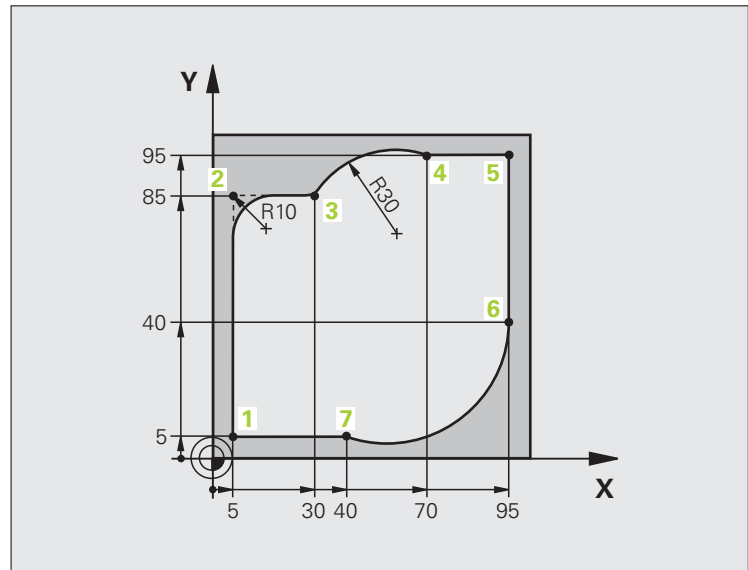
Example: Linear movements and chamfers with Cartesian coordinates



0 BEGIN PGM LINEAR MM	
1 BLK FORM 0.1 Z X+0 Y+0 Z-20	Define the workpiece blank for graphic workpiece simulation
2 BLK FORM 0.2 X+100 Y+100 Z+0	
3 TOOL CALL 1 Z S4000	Call the tool in the spindle axis and with the spindle speed S
4 L Z+250 R0 FMAX	Retract the tool in the spindle axis at rapid traverse FMAX
5 L X-10 Y-10 R0 FMAX	Pre-position the tool
6 L Z-5 R0 F1000 M3	Move to working depth at feed rate F = 1000 mm/min
7 APPR LT X+5 Y+5 LEN10 RL F300	Approach the contour at point 1 on a straight line with tangential connection
8 L Y+95	Move to point 2
9 L X+95	Point 3: first straight line for corner 3
10 CHF 10	Program a chamfer with length 10 mm
11 L Y+5	Point 4: 2nd straight line for corner 3, 1st straight line for corner 4
12 CHF 20	Program a chamfer with length 20 mm
13 L X+5	Move to last contour point 1, second straight line for corner 4
14 DEP LT LEN10 F1000	Depart the contour on a straight line with tangential connection
15 L Z+250 R0 FMAX M2	Retract in the tool axis, end program
16 END PGM LINEAR MM	



Example: Circular movements with Cartesian coordinates



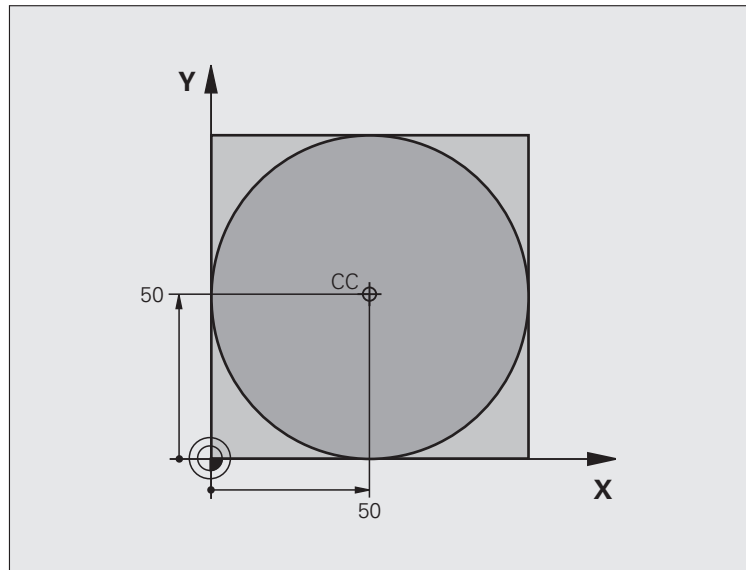
0 BEGIN PGM CIRCULAR MM	
1 BLK FORM 0.1 Z X+0 Y+0 Z-20	Define the workpiece blank for graphic workpiece simulation
2 BLK FORM 0.2 X+100 Y+100 Z+0	
3 TOOL CALL 1 Z S4000	Call the tool in the spindle axis and with the spindle speed S
4 L Z+250 R0 FMAX	Retract the tool in the spindle axis at rapid traverse FMAX
5 L X-10 Y-10 R0 FMAX	Pre-position the tool
6 L Z-5 R0 F1000 M3	Move to working depth at feed rate F = 1000 mm/min
7 APPR LCT X+5 Y+5 R5 RL F300	Approach the contour at point 1 on a circular arc with tangential connection
8 L X+5 Y+85	Point 2: First straight line for corner 2
9 RND R10 F150	Insert radius with R = 10 mm, feed rate: 150 mm/min
10 L X+30 Y+85	Move to point 3: Starting point of the arc with CR
11 CR X+70 Y+95 R+30 DR-	Move to point 4: End point of the arc with CR, radius 30 mm
12 L X+95	Move to point 5
13 L X+95 Y+40	Move to point 6
14 CT X+40 Y+5	Move to point 7: End point of the arc, circular arc with tangential connection to point 6, TNC automatically calculates the radius

6.4 Path Contours—Cartesian Coordinates

15 L X+5	Move to last contour point 1
16 DEP LCT X-20 Y-20 R5 F1000	Depart the contour on a circular arc with tangential connection
17 L Z+250 R0 FMAX M2	Retract in the tool axis, end program
18 END PGM CIRCULAR MM	



Example: Full circle with Cartesian coordinates



0 BEGIN PGM C-CC MM	
1 BLK FORM 0.1 Z X+0 Y+0 Z-20	Definition of workpiece blank
2 BLK FORM 0.2 X+100 Y+100 Z+0	
3 TOOL CALL 1 Z S3150	Tool call
4 CC X+50 Y+50	Define the circle center
5 L Z+250 R0 FMAX	Retract the tool
6 L X-40 Y+50 R0 FMAX	Pre-position the tool
7 L Z-5 R0 F1000 M3	Move to working depth
8 APPR LCT X+0 Y+50 R5 RL F300	Approach the starting point of the circle on a circular arc with tangential connection
9 C X+0 DR-	Move to the circle end point (= circle starting point)
10 DEP LCT X-40 Y+50 R5 F1000	Depart the contour on a circular arc with tangential connection
11 L Z+250 R0 FMAX M2	Retract in the tool axis, end program
12 END PGM C-CC MM	

6.5 Path Contours – Polar Coordinates









Overview

With polar coordinates you can define a position in terms of its angle **PA** and its distance **PR** relative to a previously defined pole **CC**.

Polar coordinates are useful with:

- Positions on circular arcs
- Workpiece drawing dimensions in degrees, e.g. bolt hole circles

Overview of path functions with polar coordinates

Function	Path function key	Tool movement	Required input	Page
Straight line LP	 + 	Straight line	Polar radius, polar angle of the straight-line end point	Page 205
Circular arc CP	 + 	Circular path around circle center/pole to arc end point	Polar angle of the arc end point, direction of rotation	Page 206
Circular arc CTP	 + 	Circular arc with tangential connection to the preceding contour element	Polar radius, polar angle of the arc end point	Page 207
Helical interpolation	 + 	Combination of a circular and a linear movement	Polar radius, polar angle of the arc end point, coordinate of the end point in the tool axis	Page 208

Zero point for polar coordinates: pole CC

You can define the pole CC anywhere in the part program before blocks containing polar coordinates. Set the pole in the same way as you would program the circle center.



- **Coordinates:** Enter Cartesian coordinates for the pole or, if you want to use the last programmed position, enter No coordinates. Before programming polar coordinates, define the pole. You can only define the pole in Cartesian coordinates. The pole remains in effect until you define a new pole

Example NC blocks

```
12 CC X+45 Y+25
```

Straight line LP

The tool moves in a straight line from its current position to the straight-line end point. The starting point is the end point of the preceding block.



- **Polar coordinate radius PR:** Enter the distance from the pole CC to the straight-line end point
- **Polar coordinate angle PA:** Angular position of the straight-line end point between -360° and $+360^\circ$

The sign of **PA** depends on the angle reference axis:

- If the angle from the angle reference axis to **PR** is counterclockwise: **PA**>0
- If the angle from the angle reference axis to **PR** is clockwise: **PA**<0

Example NC blocks

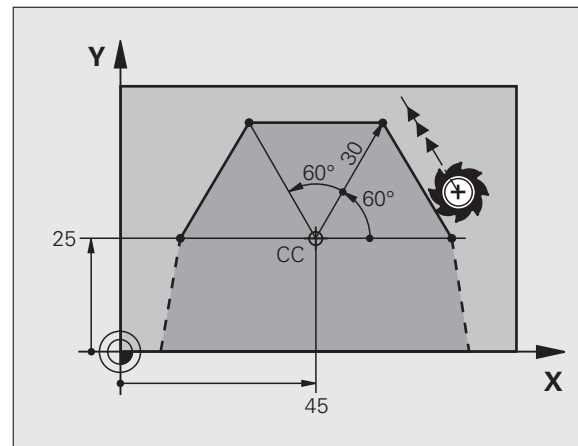
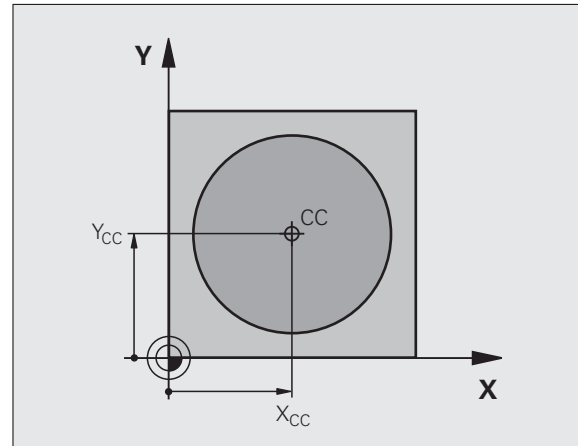
```
12 CC X+45 Y+25
```

```
13 LP PR+30 PA+0 RR F300 M3
```

```
14 LP PA+60
```

```
15 LP IPA+60
```

```
16 LP PA+180
```



Circular path CP around pole CC

The polar coordinate radius **PR** is also the radius of the arc. **PR** is defined by the distance from the starting point to the pole **CC**. The last programmed tool position will be the starting point of the arc.



P

► **Polar-coordinates angle PA:** Angular position of the arc end point between $-99\,999.9999^\circ$ and $+99\,999.9999^\circ$

► **Direction of rotation DR**

Example NC blocks

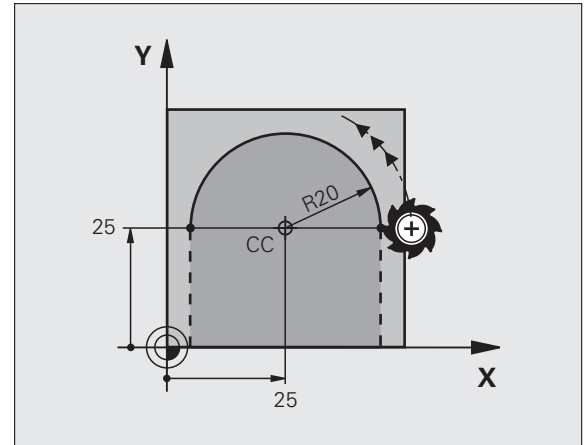
```
18 CC X+25 Y+25
```

```
19 LP PR+20 PA+0 RR F250 M3
```

```
20 CP PA+180 DR+
```



For incremental coordinates, enter the same sign for DR and PA.



Circular path CTP with tangential connection

The tool moves on a circular path, starting tangentially from a preceding contour element.



- ▶ **Polar coordinate radius PR:** Enter the distance from arc end point to the pole **CC**
- ▶ **Polar coordinates angle PA:** Angular position of the arc end point

Example NC blocks

12 CC X+40 Y+35

13 L X+0 Y+35 RL F250 M3

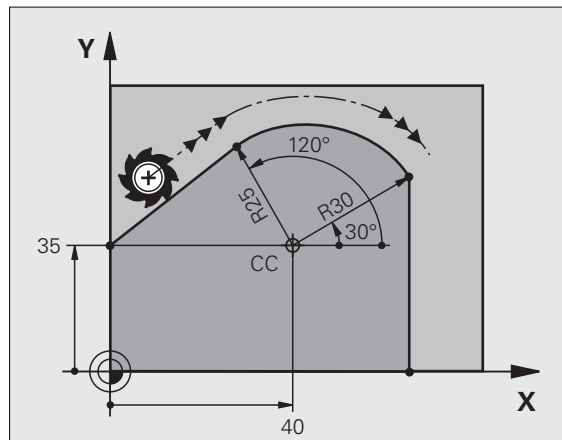
14 LP PR+25 PA+120

15 CTP PR+30 PA+30

16 L Y+0



The pole is **not** the center of the contour arc!



Helical interpolation

A helix is a combination of a circular movement in a main plane and a linear movement perpendicular to this plane. You program the circular path in a main plane.

A helix is programmed only in polar coordinates.

Application

- Large-diameter internal and external threads
- Lubrication grooves

Calculating the helix

To program a helix, you must enter the total angle through which the tool is to move on the helix in incremental dimensions, and the total height of the helix.

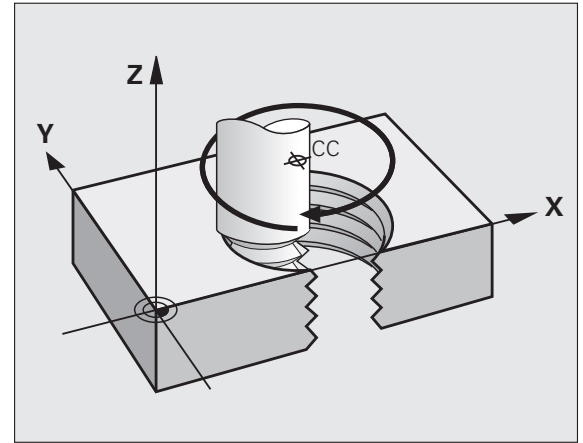
For calculating a helix that is to be cut in an upward direction, you need the following data:

- Thread revolutions n Thread revolutions + thread overrun at thread beginning and end
- Total height h Thread pitch P times thread revolutions n
- Incremental total angle **IPA** Number of revolutions times 360° + angle for beginning of thread + angle for thread overrun
- Starting coordinate Z Pitch P times (thread revolutions + thread overrun at start of thread)

Shape of the helix

The table below illustrates in which way the shape of the helix is determined by the work direction, direction of rotation and radius compensation.

Internal thread	Work direction	Direction of rotation	Radius comp.
Right-handed	Z+	DR+	RL
Left-handed	Z+	DR-	RR
Right-handed	Z-	DR-	RR
Left-handed	Z-	DR+	RL
External thread			
Right-handed	Z+	DR+	RR
Left-handed	Z+	DR-	RL
Right-handed	Z-	DR-	RL
Left-handed	Z-	DR+	RR



Programming a helix



Always enter the same algebraic sign for the direction of rotation and the incremental total angle **IPA**. The tool may otherwise move in a wrong path and damage the contour.

For the total angle **IPA** you can enter a value of $-99\,999.9999^\circ$ to $+99\,999.9999^\circ$.



P

- ▶ **Polar coordinates angle:** Enter the total angle of tool traverse along the helix in incremental dimensions. **After entering the angle, specify the tool axis with an axis selection key.**
- ▶ **Coordinate:** Enter the coordinate for the height of the helix in incremental dimensions.
- ▶ **Direction of rotation DR**
Clockwise helix: DR-
Counterclockwise helix: DR+
- ▶ Enter the **radius compensation** according to the table above

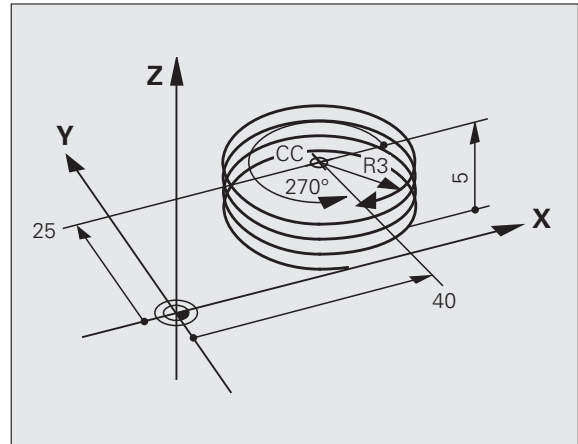
Example NC blocks: Thread M6 x 1 mm with 5 revolutions

12 CC X+40 Y+25

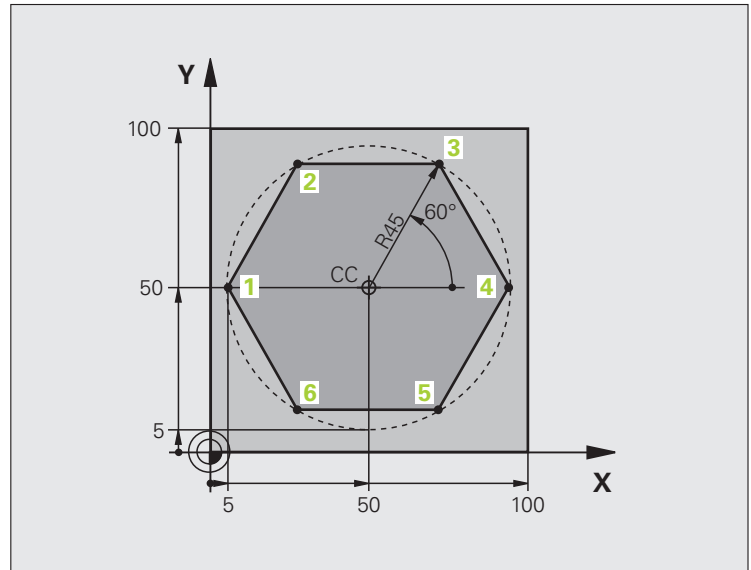
13 L Z+0 F100 M3

14 LP PR+3 PA+270 RL F50

15 CP IPA-1800 IZ+5 DR-



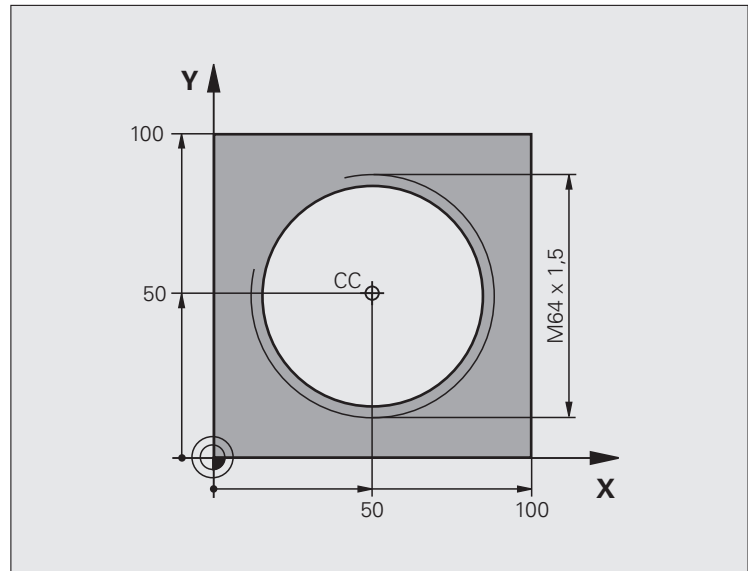
Example: Linear movement with polar coordinates



0 BEGIN PGM LINEARPO MM	
1 BLK FORM 0.1 Z X+0 Y+0 Z-20	Definition of workpiece blank
2 BLK FORM 0.2 X+100 Y+100 Z+0	
3 TOOL CALL 1 Z S4000	Tool call
4 CC X+50 Y+50	Define the datum for polar coordinates
5 L Z+250 R0 FMAX	Retract the tool
6 LP PR+60 PA+180 R0 FMAX	Pre-position the tool
7 L Z-5 R0 F1000 M3	Move to working depth
8 APPR PLCT PR+45 PA+180 R5 RL F250	Approach the contour at point 1 on a circular arc with tangential connection
9 LP PA+120	Move to point 2
10 LP PA+60	Move to point 3
11 LP PA+0	Move to point 4
12 LP PA-60	Move to point 5
13 LP PA-120	Move to point 6
14 LP PA+180	Move to point 1
15 DEP PLCT PR+60 PA+180 R5 F1000	Depart the contour on a circular arc with tangential connection
16 L Z+250 R0 FMAX M2	Retract in the tool axis, end program
17 END PGM LINEARPO MM	



Example: Helix



0 BEGIN PGM HELIX MM	
1 BLK FORM 0.1 Z X+0 Y+0 Z-20	Definition of workpiece blank
2 BLK FORM 0.2 X+100 Y+100 Z+0	
3 TOOL CALL 1 Z S1400	Tool call
4 L Z+250 R0 FMAX	Retract the tool
5 L X+50 Y+50 R0 FMAX	Pre-position the tool
6 CC	Transfer the last programmed position as the pole
7 L Z-12.75 R0 F1000 M3	Move to working depth
8 APPR PCT PR+32 PA-182 CCA180 R+2 RL F100	Approach the contour on a circular arc with tangential connection
9 CP IPA+3240 IZ+13.5 DR+ F200	Helical interpolation
10 DEP CT CCA180 R+2	Depart the contour on a circular arc with tangential connection
11 L Z+250 R0 FMAX M2	Retract in the tool axis, end program
12 END PGM HELIX MM	



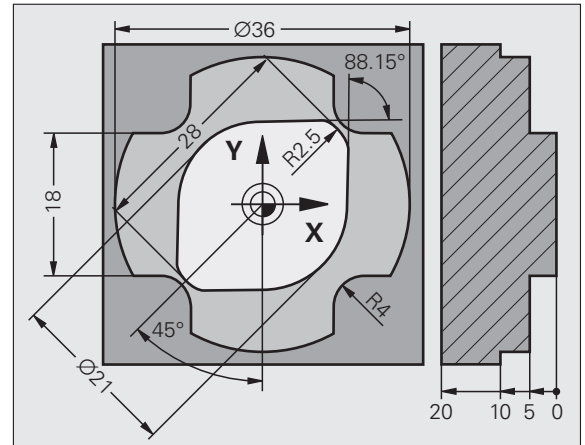
6.6 Path Contours—FK Free Contour Programming

Fundamentals

Workpiece drawings that are not dimensioned for NC often contain unconventional coordinate data that cannot be entered with the gray path function keys. For example:

- Known coordinates on the contour element or in its proximity
- Coordinate data can be referenced to another contour element
- Directional data and data regarding the course of the contour

You can enter such dimensional data directly by using the FK free contour programming function. The TNC derives the contour from the known coordinate data and supports the programming dialog with the interactive programming graphics. The figure at upper right shows a workpiece drawing for which FK programming is the most convenient programming method.





The following prerequisites for FK programming must be observed:

The FK free contour programming feature can only be used for programming contour elements that lie in the working plane. The working plane is defined in the first **BLK FORM** block of the part program.

You must enter all available data for every contour element. Even the data that does not change must be entered in every block—otherwise it will not be recognized.

Q parameters are permissible in all FK elements, except in elements with relative references (e.g. **RX** or **RAN**), or in elements that are referenced to other NC blocks.

If both FK blocks and conventional blocks are entered in a program, the FK contour must be fully defined before you can return to conventional programming.

The TNC needs a fixed point from which it can calculate the contour elements. Use the gray path function keys to program a position that contains both coordinates of the working plane immediately before programming the FK contour. Do not enter any Q parameters in this block.

If the first block of an FK contour is an **FCT** or **FLT** block, you must program at least two NC blocks with the gray path function keys to fully define the direction of contour approach.

Do not program an FK contour immediately after an **LBL** command.



Graphics during FK programming

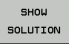
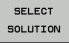


If you wish to use graphic support during FK programming, select the PROGRAM + GRAPHICS screen layout (see "Programming and Editing" on page 63).

Incomplete coordinate data often is not sufficient to fully define a workpiece contour. In this case, the TNC indicates the possible solutions in the FK graphic. You can then select the contour that matches the drawing. The FK graphic displays the elements of the workpiece contour in different colors:

- Blue** The contour element is fully defined
- Green** The entered data describe a limited number of possible solutions: select the correct one
- Red** The entered data are not sufficient to determine the contour element: enter further data

If the entered data permit a limited number of possible solutions and the contour element is displayed in green, select the correct contour element as follows:

- 
 - ▶ Press the SHOW SOLUTION soft key repeatedly until the correct contour element is displayed. Use the zoom function (2nd soft-key row) if you cannot distinguish possible solutions in the standard setting
- 
 - ▶ If the displayed contour element matches the drawing, select the contour element with SELECT SOLUTION

If you do not yet wish to select a green contour element, press the END SELECT soft key to continue the FK dialog.




Select the green contour elements as soon as possible with the SELECT SOLUTION soft key. This way you can reduce the ambiguity of subsequent elements.

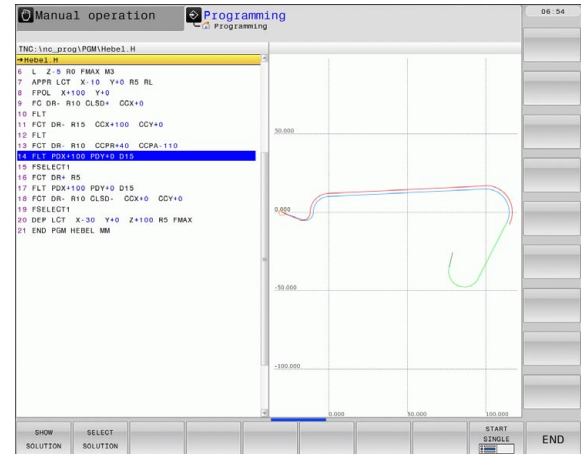
The machine tool builder may use other colors for the FK graphics.

NC blocks from a program that you called with PGM CALL are displayed in another color.

Showing block numbers in the graphic window

To show a block number in the graphic window:


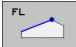
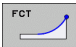
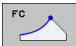
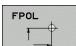
- 
 - ▶ Set the SHOW OMIT BLOCK NR. soft key to SHOW (soft-key row 3)



Initiating the FK dialog

If you press the gray FK button, the TNC displays the soft keys you can use to initiate an FK dialog—see the following table. Press the FK button a second time to deselect the soft keys.

If you initiate the FK dialog with one of these soft keys, the TNC shows additional soft-key rows that you can use for entering known coordinates, directional data and data regarding the course of the contour.

FK element	Soft key
Straight line with tangential connection	
Straight line without tangential connection	
Circular arc with tangential connection	
Circular arc without tangential connection	
Pole for FK programming	



Pole for FK programming



- ▶ To display the soft keys for free contour programming, press the FK key



- ▶ To initiate the dialog for defining the pole, press the FPOL soft key. The TNC then displays the axis soft keys of the active working plane
- ▶ Enter the pole coordinates using these soft keys



The pole for FK programming remains active until you define a new one using FPOL.

Free programming of straight lines

Straight line without tangential connection



- ▶ To display the soft keys for free contour programming, press the FK key



- ▶ To initiate the dialog for free programming of straight lines, press the FL soft key. The TNC displays additional soft keys
- ▶ Enter all known data in the block by using these soft keys. The FK graphic displays the programmed contour element in red until sufficient data is entered. If the entered data describes several solutions, the graphic will display the contour element in green (see "Graphics during FK programming", page 214)

Straight line with tangential connection

If the straight line connects tangentially to another contour element, initiate the dialog with the FLT soft key:



- ▶ To display the soft keys for free contour programming, press the FK key



- ▶ To initiate the dialog, press the FLT soft key
- ▶ Enter all known data in the block by using the soft keys



Free programming of circular arcs

Circular arc without tangential connection



- ▶ To display the soft keys for free contour programming, press the FK key



- ▶ To initiate the dialog for free programming of circular arcs, press the FC soft key. The TNC displays soft keys with which you can directly enter data on the circular arc or the circle center
- ▶ Enter all known data in the block by using these soft keys. The FK graphic displays the programmed contour element in red until sufficient data is entered. If the entered data describes several solutions, the graphic will display the contour element in green (see "Graphics during FK programming", page 214)

Circular arc with tangential connection

If the circular arc connects tangentially to another contour element, initiate the dialog with the FCT soft key:



- ▶ To display the soft keys for free contour programming, press the FK key



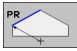
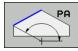


- ▶ To initiate the dialog, press the FCT soft key
- ▶ Enter all known data in the block by using the soft keys



Input possibilities

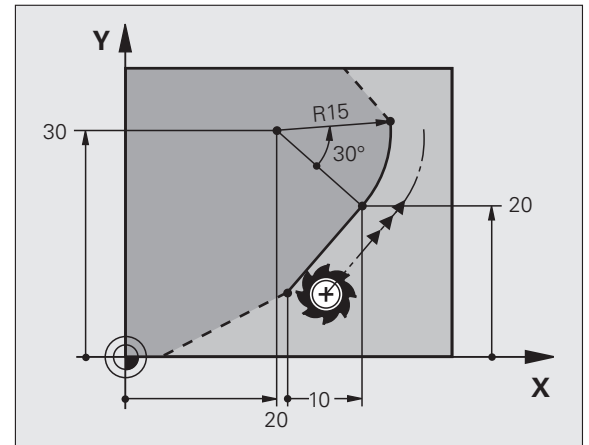
End point coordinates

Known data	Soft keys
Cartesian coordinates X and Y	 
Polar coordinates referenced to FPOL	 


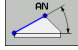



Example NC blocks

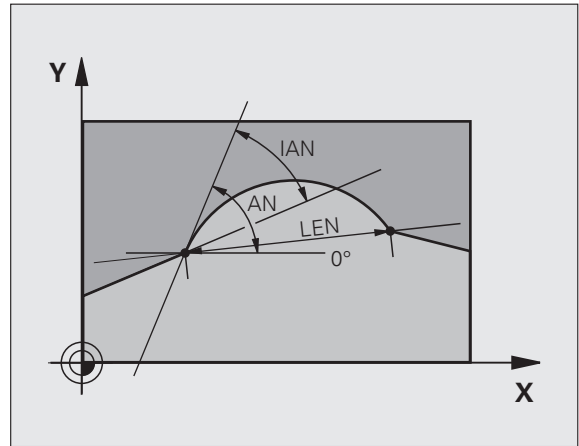
```

7 FPOL X+20 Y+30
8 FL IX+10 Y+20 RR F100
9 FCT PR+15 IPA+30 DR+ R15
    
```



Direction and length of contour elements

Known data	Soft keys
Length of a straight line	
Gradient angle of a straight line	
Chord length LEN of an arc	
Gradient angle AN of an entry tangent	
Center angle of an arc	



Caution: Danger to the workpiece and tool!

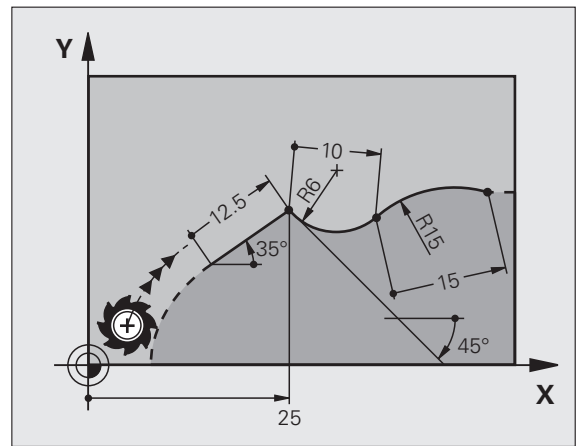
Gradient angles that you defined incrementally (**IAN**) are referenced to the direction of the last positioning block by the TNC. Programs that contain incremental gradient angles and were created on an iTNC 530 or on earlier TNCs are not compatible.

Example NC blocks

27 FLT X+25 LEN 12.5 AN+35 RL F200

28 FC DR+ R6 LEN10 AN-45

29 FCT DR- R15 LEN 15



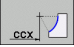
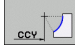
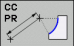
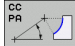


Circle center CC, radius and direction of rotation in the FC/FCT block

The TNC calculates a circle center for free-programmed arcs from the data you enter. This makes it possible to program full circles in an FK program block.

If you wish to define the circle center in polar coordinates you must use FPOL, not CC, to define the pole. FPOL is entered in Cartesian coordinates and remains in effect until the control encounters a block in which another FPOL is defined.



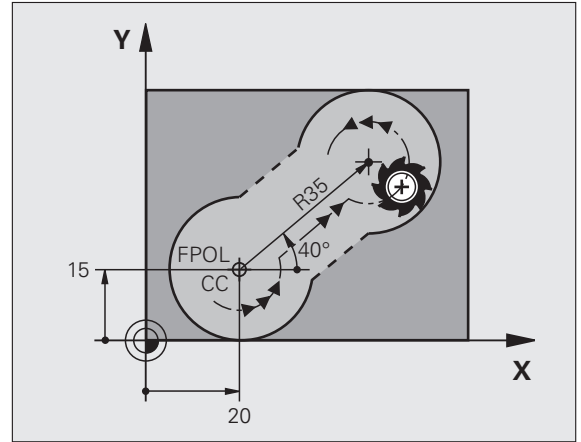
A circle center that was calculated or programmed conventionally is then no longer valid as a pole or circle center for the new FK contour: If you enter conventional polar coordinates that refer to a pole from a CC block you have defined previously, then you must enter the pole again in a CC block after the FK contour.

Known data	Soft keys
Circle center in Cartesian coordinates	 
Circle center in polar coordinates	 
Rotational direction of an arc	
Radius of an arc	

Example NC blocks

```

10 FC CCX+20 CCY+15 DR+ R15
11 FPOL X+20 Y+15
12 FL AN+40
13 FC DR+ R15 CCPR+35 CCPA+40
    
```



Closed contours

You can identify the beginning and end of a closed contour with the CLSD soft key. This reduces the number of possible solutions for the last contour element.

Enter CLSD as an addition to another contour data entry in the first and last blocks of an FK section.



Beginning of contour: CLSD+
End of contour: CLSD-

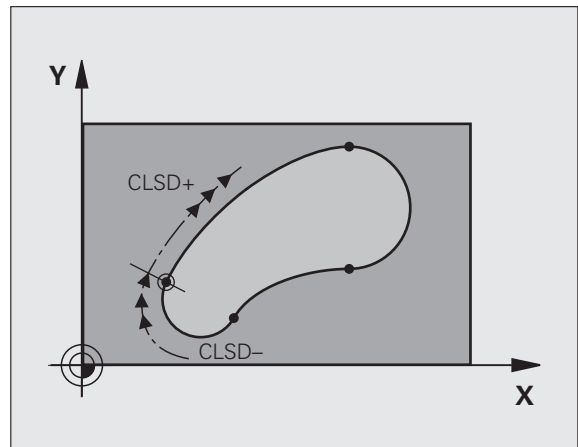
Example NC blocks

```
12 L X+5 Y+35 RL F500 M3
```

```
13 FC DR- R15 CLSD+ CCX+20 CCY+35
```

```
...
```

```
17 FCT DR- R+15 CLSD-
```

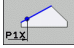
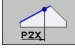


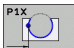


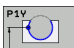
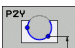



Auxiliary points

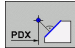
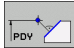
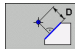
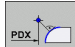
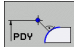

For both free-programmed straight lines and free-programmed circular arcs, you can enter the coordinates of auxiliary points that are located on the contour or in its proximity.

Auxiliary points on a contour

The auxiliary points are located on the straight line, the extension of the straight line, or on the circular arc.

Known data	Soft keys
X coordinate of an auxiliary point P1 or P2 of a straight line	 
Y coordinate of an auxiliary point P1 or P2 of a straight line	 
X coordinate of an auxiliary point P1, P2 or P3 of a circular arc	  
Y coordinate of an auxiliary point P1, P2 or P3 of a circular arc	  

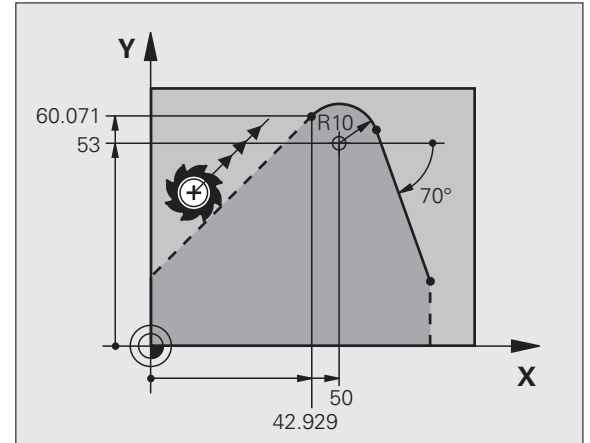
Auxiliary points near a contour

Known data	Soft keys
X and Y coordinates of an auxiliary point near a straight line	 
Distance of auxiliary point to straight line	
X and Y coordinates of an auxiliary point near a circular arc	 
Distance of auxiliary point to circular arc	

Example NC blocks

```
13 FC DR- R10 P1X+42.929 P1Y+60.071
```

```
14 FLT AN-70 PDX+50 PDY+53 D10
```



Relative data

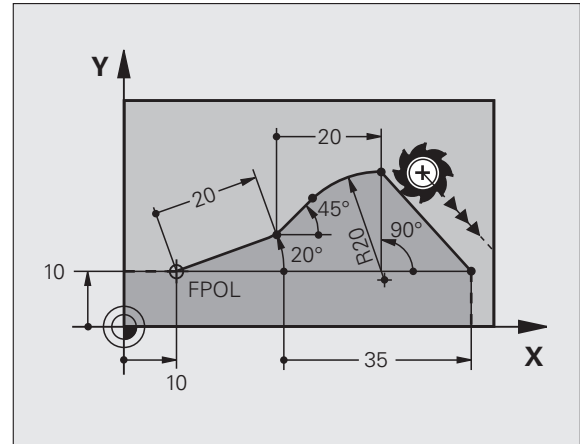
Data whose values are based on another contour element are called relative data. The soft keys and program words for entries begin with the letter **R** for Relative. The figure at right shows the entries that should be programmed as relative data.



The coordinates and angles for relative data are always programmed in incremental dimensions. You must also enter the block number of the contour element on which the data are based.

The block number of the contour element on which the relative data are based can only be located up to 64 positioning blocks before the block in which you program the reference.

If you delete a block on which relative data are based, the TNC will display an error message. Change the program first before you delete the block.



Data relative to block N: End point coordinates

Known data	Soft keys	
Cartesian coordinates relative to block N	<input style="width: 50px; height: 20px;" type="text" value="RX [N...]"/>	<input style="width: 50px; height: 20px;" type="text" value="RV [N...]"/>
Polar coordinates relative to block N	<input style="width: 50px; height: 20px;" type="text" value="RPR [N...]"/>	<input style="width: 50px; height: 20px;" type="text" value="RPA [N...]"/>

Example NC blocks

12 FPOL X+10 Y+10

13 FL PR+20 PA+20

14 FL AN+45

15 FCT IX+20 DR- R20 CCA+90 RX 13

16 FL IPR+35 PA+0 RPR 13



Data relative to block N: Direction and distance of the contour element

Known data	Soft key
Angle between a straight line and another element or between the entry tangent of the arc and another element	RAN [N...]
Straight line parallel to another contour element	PAR [N...]
Distance from a straight line to a parallel contour element	DP

Example NC blocks

```

17 FL LEN 20 AN+15
18 FL AN+105 LEN 12.5
19 FL PAR 17 DP 12.5
20 FSELECT 2
21 FL LEN 20 IAN+95
22 FL IAN+220 RAN 18
    
```

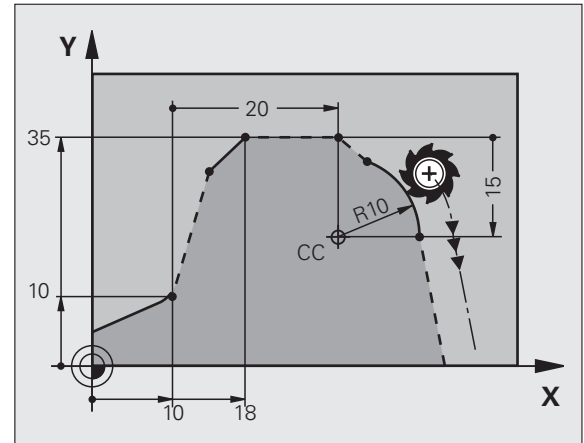
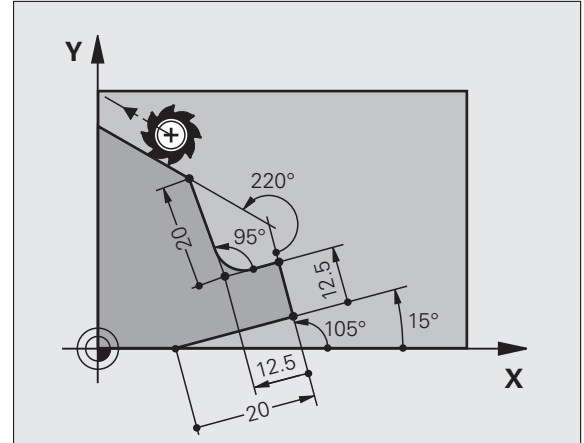
Data relative to block N: Circle center CC

Known data	Soft key	
Cartesian coordinates of the circle center relative to block N	RCCX [N...]	RCCY [N...]
Polar coordinates of the circle center relative to block N	RCCPR [N...]	RCCPA [N...]

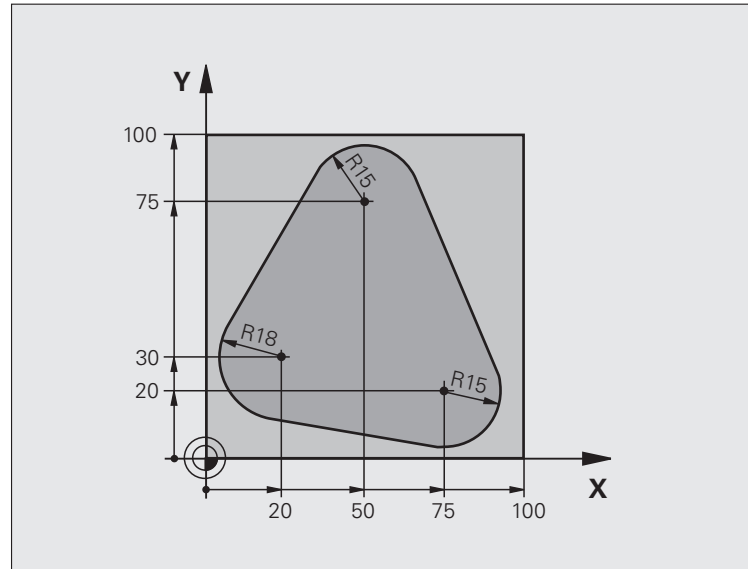
Example NC blocks

```

12 FL X+10 Y+10 RL
13 FL ...
14 FL X+18 Y+35
15 FL ...
16 FL ...
17 FC DR- R10 CCA+0 ICCX+20 ICCY-15 RCCX12 RCCY14
    
```



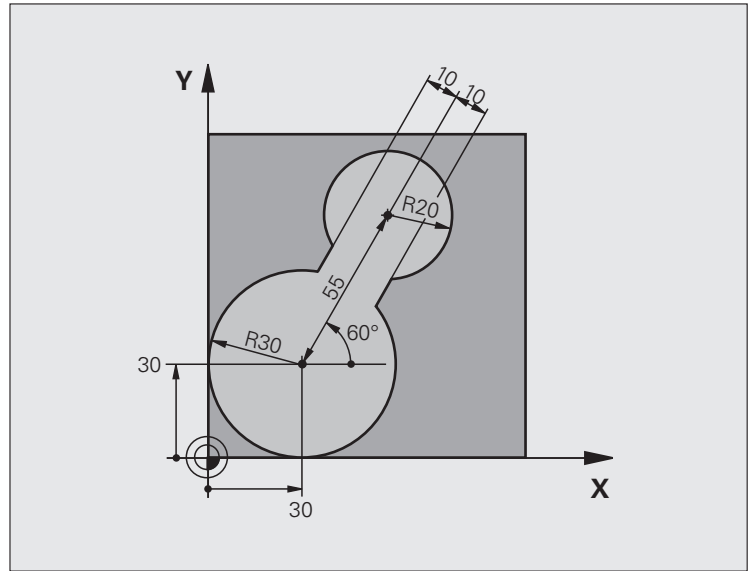
Example: FK programming 1



0 BEGIN PGM FK1 MM	
1 BLK FORM 0.1 Z X+0 Y+0 Z-20	Definition of workpiece blank
2 BLK FORM 0.2 X+100 Y+100 Z+0	
3 TOOL CALL 1 Z S500	Tool call
4 L Z+250 R0 FMAX	Retract the tool
5 L X-20 Y+30 R0 FMAX	Pre-position the tool
6 L Z-10 R0 F1000 M3	Move to working depth
7 APPR CT X+2 Y+30 CCA90 R+5 RL F250	Approach the contour on a circular arc with tangential connection
8 FC DR- R18 CLSD+ CCX+20 CCY+30	FK contour section:
9 FLT	Program all known data for each contour element
10 FCT DR- R15 CCX+50 CCY+75	
11 FLT	
12 FCT DR- R15 CCX+75 CCY+20	
13 FLT	
14 FCT DR- R18 CLSD- CCX+20 CCY+30	
15 DEP CT CCA90 R+5 F1000	Depart the contour on a circular arc with tangential connection
16 L X-30 Y+0 R0 FMAX	
17 L Z+250 R0 FMAX M2	Retract in the tool axis, end program
18 END PGM FK1 MM	



Example: FK programming 2



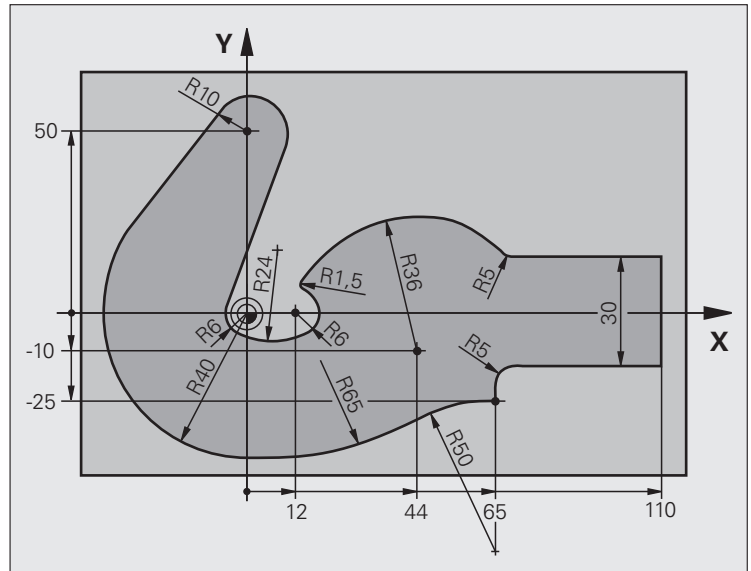
0 BEGIN PGM FK2 MM	
1 BLK FORM 0.1 Z X+0 Y+0 Z-20	Definition of workpiece blank
2 BLK FORM 0.2 X+100 Y+100 Z+0	
3 TOOL CALL 1 Z S4000	Tool call
4 L Z+250 R0 FMAX	Retract the tool
5 L X+30 Y+30 R0 FMAX	Pre-position the tool
6 L Z+5 R0 FMAX M3	Pre-position the tool in the tool axis
7 L Z-5 R0 F100	Move to working depth



8 APPR LCT X+0 Y+30 R5 RR F350	Approach the contour on a circular arc with tangential connection
9 FPOL X+30 Y+30	FK contour section:
10 FC DR- R30 CCX+30 CCY+30	Program all known data for each contour element
11 FL AN+60 PDX+30 PDY+30 D10	
12 FSELECT 3	
13 FC DR- R20 CCPR+55 CCPA+60	
14 FSELECT 2	
15 FL AN-120 PDX+30 PDY+30 D10	
16 FSELECT 3	
17 FC X+0 DR- R30 CCX+30 CCY+30	
18 FSELECT 2	
19 DEP LCT X+30 Y+30 R5	Depart the contour on a circular arc with tangential connection
20 L Z+250 R0 FMAX M2	Retract in the tool axis, end program
21 END PGM FK2 MM	



Example: FK programming 3



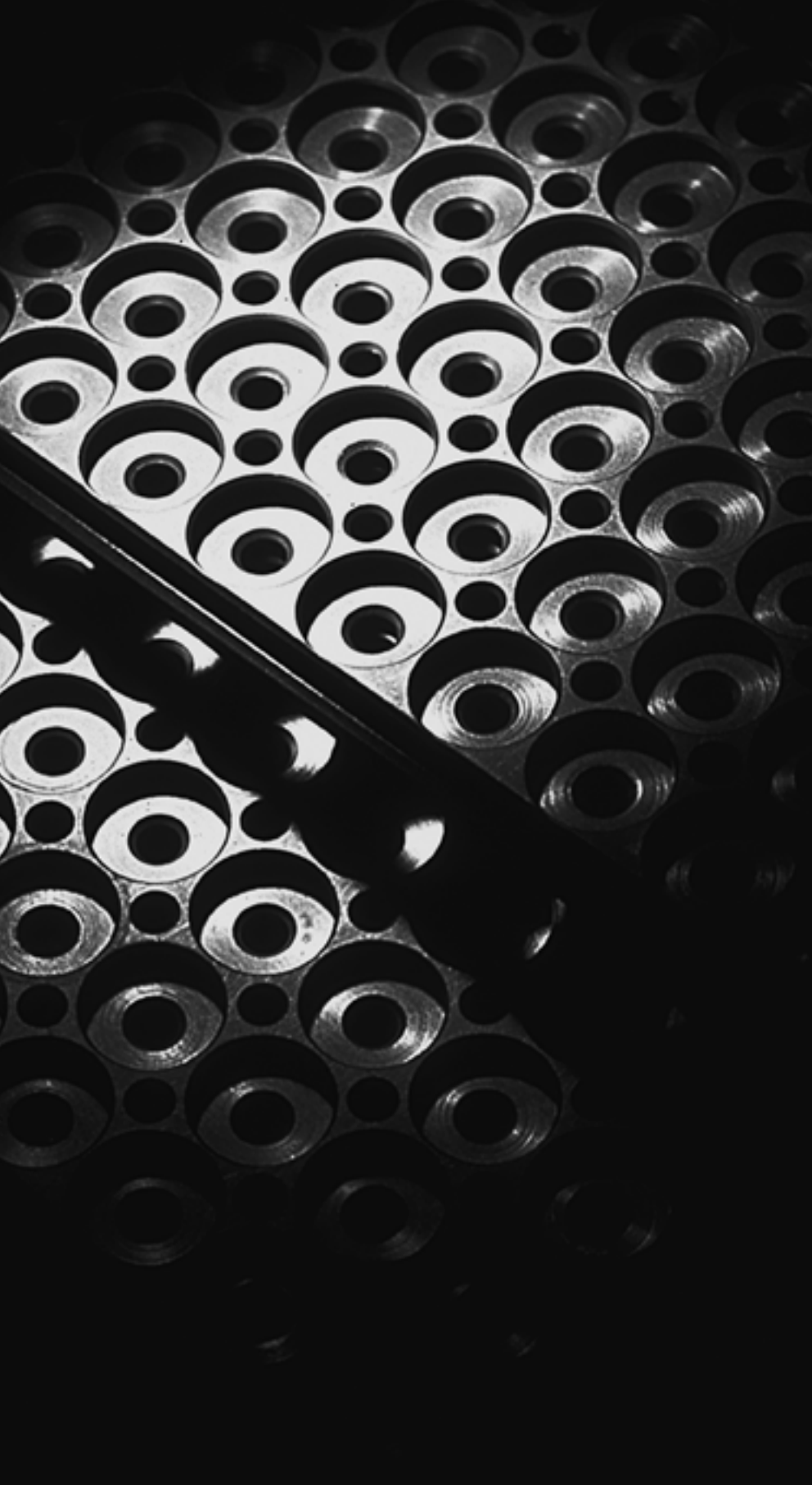
0 BEGIN PGM FK3 MM	
1 BLK FORM 0.1 Z X-45 Y-45 Z-20	Definition of workpiece blank
2 BLK FORM 0.2 X+120 Y+70 Z+0	
3 TOOL CALL 1 Z S4500	Tool call
4 L Z+250 R0 FMAX	Retract the tool
5 L X-70 Y+0 R0 FMAX	Pre-position the tool
6 L Z-5 R0 F1000 M3	Move to working depth



7 APPR CT X-40 Y+0 CCA90 R+5 RL F250	Approach the contour on a circular arc with tangential connection
8 FC DR- R40 CCX+0 CCY+0	FK contour section:
9 FLT	Program all known data for each contour element
10 FCT DR- R10 CCX+0 CCY+50	
11 FLT	
12 FCT DR+ R6 CCX+0 CCY+0	
13 FCT DR+ R24	
14 FCT DR+ R6 CCX+12 CCY+0	
15 FSELECT 2	
16 FCT DR- R1.5	
17 FCT DR- R36 CCX+44 CCY-10	
18 FSELECT 2	
19 FCT DR+ R5	
20 FLT X+110 Y+15 AN+0	
21 FL AN-90	
22 FL X+65 AN+180 PAR21 DP30	
23 RND R5	
24 FL X+65 Y-25 AN-90	
25 FC DR+ R50 CCX+65 CCY-75	
26 FCT DR- R65	
27 FSELECT 1	
28 FCT Y+0 DR- R40 CCX+0 CCY+0	
29 FSELECT 4	
30 DEP CT CCA90 R+5 F1000	Depart the contour on a circular arc with tangential connection
31 L X-70 R0 FMAX	
32 L Z+250 R0 FMAX M2	Retract in the tool axis, end program
33 END PGM FK3 MM	







7

**Programming:
Subprograms and
Program Section
Repeats**



7.1 Labeling Subprograms and Program Section Repeats

Subprograms and program section repeats enable you to program a machining sequence once and then run it as often as necessary.

Labels

The beginnings of subprograms and program section repeats are marked in a part program by labels (**LBL**).

A LABEL is identified by a number between 1 and 999 or by a name you define. Each LABEL number or LABEL name can be set only once in the program with the LABEL SET. The number of label names you can enter is only limited by the internal memory.



Do not use a label number or label name more than once!

Label 0 (**LBL 0**) is used exclusively to mark the end of a subprogram and can therefore be used as often as desired.

7.2 Subprograms

Operating sequence

- 1 The TNC executes the part program up to the block in which a subprogram is called with **CALL LBL**
- 2 The subprogram is then executed from beginning to end. The subprogram end is marked **LBL 0**
- 3 The TNC then resumes the part program from the block after the subprogram call **CALL LBL**

Programming notes

- A main program can contain up to 254 subprograms
- You can call subprograms in any sequence and as often as desired
- A subprogram cannot call itself
- Write subprograms at the end of the main program (behind the block with M2 or M30)
- If subprograms are located before the block with M2 or M30, they will be executed at least once even if they are not called

Programming a subprogram

LBL
SET

- ▶ To mark the beginning, press the LBL SET key
- ▶ Enter the subprogram number. If you want to use a label name, press the LBL NAME soft key to switch to text entry
- ▶ To mark the end, press the LBL SET key and enter the label number "0"

Calling a subprogram

LBL
CALL

- ▶ To call a subprogram, press the LBL CALL key
- ▶ **Label number:** Enter the label number of the subprogram you wish to call. If you want to use a label name, press the LBL NAME soft key to switch to text entry
- ▶ **Repeat REP:** Ignore the dialog question with the NO ENT key. Repeat REP is used only for program section repeats



CALL LBL 0 is not permitted (Label 0 is only used to mark the end of a subprogram).



7.3 Program Section Repeats

Label LBL

The beginning of a program section repeat is marked by the label **LBL**. The end of a program section repeat is identified by **CALL LBL n REPn**.

Operating sequence

- 1 The TNC executes the part program up to the end of the program section (**CALL LBL n REPn**)
- 2 Then the program section between the called LBL **CALL LBL n REPn** is repeated the number of times entered for **REP**
- 3 The TNC then resumes the part program after the last repetition

Programming notes

- You can repeat a program section up to 65 534 times in succession
- The total number of times the program section is executed is always one more than the programmed number of repeats

Programming a program section repeat

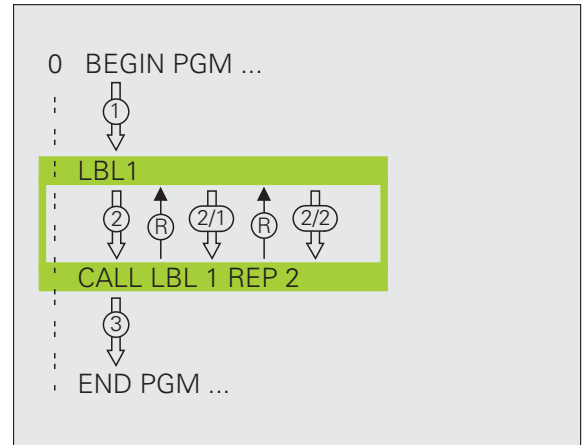


- ▶ To mark the beginning, press the LBL SET key and enter a LABEL NUMBER for the program section you wish to repeat. If you want to use a label name, press the LBL NAME soft key to switch to text entry
- ▶ Enter the program section

Calling a program section repeat



- ▶ Press the LBL CALL key
- ▶ **To call subprograms/section repeats:** Enter the label number of the subprogram to be called, then confirm with the ENT key. If you want to use a label name, press the " key to switch to text entry
- ▶ **Repeat REP:** Enter the number of repeats, then confirm with the ENT key



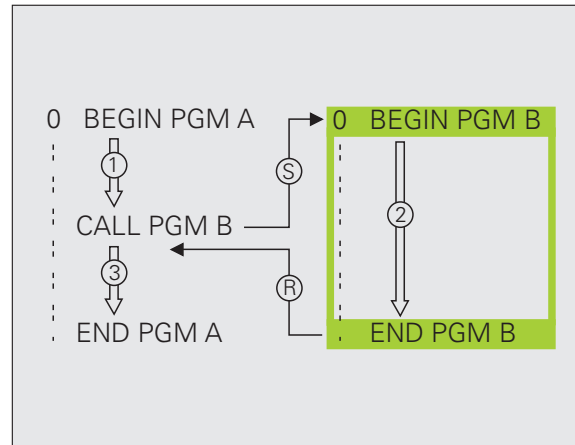
7.4 Separate Program as Subprogram

Operating sequence

- 1 The TNC executes the part program up to the block in which another program is called with **CALL PGM**
- 2 Then the other program is run from beginning to end
- 3 The TNC then resumes the first (calling) part program with the block after the program call

Programming notes

- No labels are needed to call any program as a subprogram
- The called program must not contain the miscellaneous functions M2 or M30. If you have defined subprograms with labels in the called program, you can then use M2 or M30 with the **FN 9: IF +0 EQU +0 GOTO LBL 99** jump function to force a jump over this program section
- The called program must not contain a **CALL PGM** call into the calling program, otherwise an infinite loop will result



Calling any program as a subprogram



▶ Select the functions for program call: Press the PGM CALL key



▶ Press the PROGRAM soft key for the TNC to start the dialog for defining the program to be called. Use the screen keyboard to enter the path name (GOTO key), or



▶ press the SELECT PROGRAM soft key for the TNC to display a selection window in which you can select the program to be called. Confirm with the END key.



If the program you want to call is located in the same directory as the program you are calling it from, then you only need to enter the program name.

If the called program is not located in the same directory as the program you are calling it from, you must enter the complete path, e.g. **TNC:\ZW35\SCHRUPP\PGM1.H**

If you want to call a DIN/ISO program, enter the file type .I after the program name.

You can also call a program with Cycle **12 PGM CALL**.

As a rule, Q parameters are effective globally with a **PGM CALL**. So please note that changes to Q parameters in the called program can also influence the calling program.



7.5 Nesting

Types of nesting

- Subprograms within a subprogram
- Program section repeats within a program section repeat
- Subprograms repeated
- Program section repeats within a subprogram

Nesting depth

The nesting depth is the number of successive levels in which program sections or subprograms can call further program sections or subprograms.

- Maximum nesting depth for subprograms: 8
- Maximum nesting depth for main program calls: 6, where a **CYCL CALL** acts like a main program call
- You can nest program section repeats as often as desired



Subprogram within a subprogram

Example NC blocks

0 BEGIN PGM SUBPGMS MM	
...	
17 CALL LBL "SP1"	Call the subprogram marked with LBL SP1
...	
35 L Z+100 R0 FMAX M2	Last program block of the main program (with M2)
36 LBL "SP1"	Beginning of subprogram SP1
...	
39 CALL LBL 2	Call the subprogram marked with LBL 2
...	
45 LBL 0	End of subprogram 1
46 LBL 2	Beginning of subprogram 2
...	
62 LBL 0	End of subprogram 2
63 END PGM SUBPGMS MM	

Program execution

- 1 Main program SUBPGMS is executed up to block 17
- 2 Subprogram SP1 is called, and executed up to block 39
- 3 Subprogram 2 is called, and executed up to block 62. End of subprogram 2 and return jump to the subprogram from which it was called
- 4 Subprogram 1 is executed from block 40 up to block 45. End of subprogram 1 and return jump to the main program SUBPGMS
- 5 Main program SUBPGMS is executed from block 18 up to block 35. Return jump to block 1 and end of program



Repeating program section repeats

Example NC blocks

0 BEGIN PGM REPS MM	
...	
15 LBL 1	Beginning of program section repeat 1
...	
20 LBL 2	Beginning of program section repeat 2
...	
27 CALL LBL 2 REP 2	The program section between LBL 2 and this block
...	(block 20) is repeated twice
35 CALL LBL 1 REP 1	The program section between LBL 1 and this block
...	(block 15) is repeated once
50 END PGM REPS MM	

Program execution

- 1 Main program REPS is executed up to block 27
- 2 Program section between block 20 and block 27 is repeated twice
- 3 Main program REPS is executed from block 28 to block 35
- 4 Program section between block 15 and block 35 is repeated once (including the program section repeat between 20 and block 27)
- 5 Main program REPS is executed from block 36 to block 50 (end of program)



Repeating a subprogram

Example NC blocks

0 BEGIN PGM SUBPGREP MM	
...	
10 LBL 1	Beginning of program section repeat 1
11 CALL LBL 2	Subprogram call
12 CALL LBL 1 REP 2	The program section between LBL 1 and this block
...	(block 10) is repeated twice
19 L Z+100 R0 FMAX M2	Last block of the main program with M2
20 LBL 2	Beginning of subprogram
...	
28 LBL 0	End of subprogram
29 END PGM SUBPGREP MM	

Program execution

- 1 Main program SUBPGREP is executed up to block 11
- 2 Subprogram 2 is called and executed
- 3 Program section between block 10 and block 12 is repeated twice:
Subprogram 2 is repeated twice
- 4 Main program SUBPGREP is executed from block 13 to block 19;
end of program.

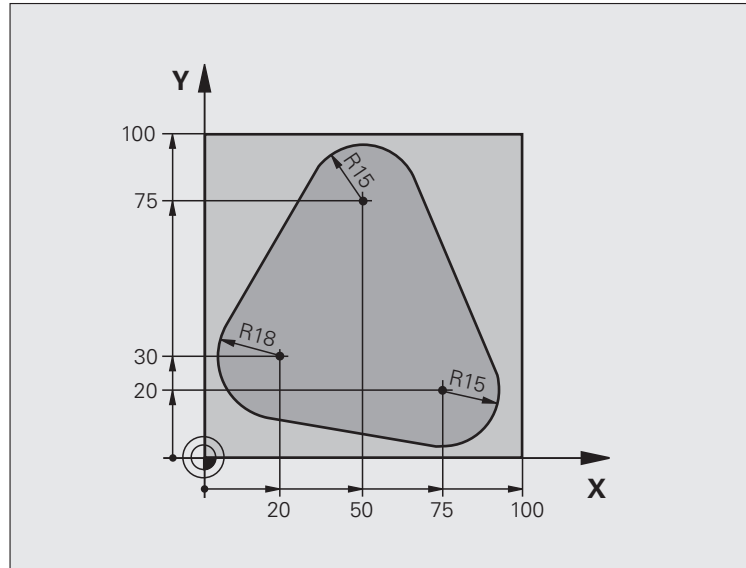


7.6 Programming Examples

Example: Milling a contour in several infeeds

Program sequence

- Pre-position the tool to the workpiece surface
- Enter the infeed depth in incremental values
- Contour milling
- Repeat infeed and contour-milling



```
0 BEGIN PGM PGMREP MM
```

```
1 BLK FORM 0.1 Z X+0 Y+0 Z-40
```

```
2 BLK FORM 0.2 X+100 Y+100 Z+0
```

```
3 TOOL CALL 1 Z S500
```

Tool call

```
4 L Z+250 R0 FMAX
```

Retract the tool

```
5 L X-20 Y+30 R0 FMAX
```

Pre-position in the working plane

```
6 L Z+0 R0 FMAX M3
```

Pre-position to the workpiece surface

7.6 Programming Examples

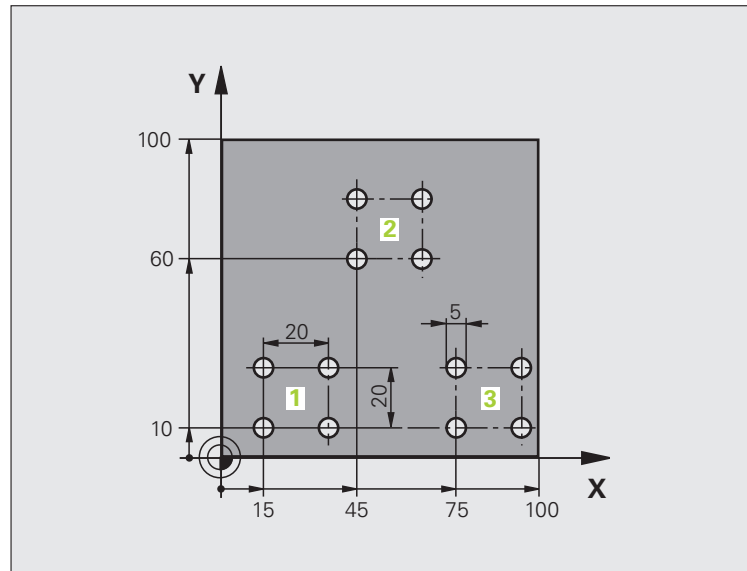
7 LBL 1	Set label for program section repeat
8 L IZ-4 R0 FMAX	Infeed depth in incremental values (in space)
9 APPR CT X+2 Y+30 CCA90 R+5 RL F250	Contour approach
10 FC DR- R18 CLSD+ CCX+20 CCY+30	Contour
11 FLT	
12 FCT DR- R15 CCX+50 CCY+75	
13 FLT	
14 FCT DR- R15 CCX+75 CCY+20	
15 FLT	
16 FCT DR- R18 CLSD- CCX+20 CCY+30	
17 DEP CT CCA90 R+5 F1000	Contour departure
18 L X-20 Y+0 R0 FMAX	Retract tool
19 CALL LBL 1 REP 4	Return jump to LBL 1; section is repeated a total of 4 times
20 L Z+250 R0 FMAX M2	Retract in the tool axis, end program
21 END PGM PGMREP MM	



Example: Groups of holes

Program sequence

- Approach the groups of holes in the main program
- Call the group of holes (subprogram 1)
- Program the group of holes only once in subprogram 1



```
0 BEGIN PGM SP1 MM
```

```
1 BLK FORM 0.1 Z X+0 Y+0 Z-20
```

```
2 BLK FORM 0.2 X+100 Y+100 Z+0
```

```
3 TOOL CALL 1 Z S5000
```

Tool call

```
4 L Z+250 R0 FMAX
```

Retract the tool

```
5 CYCL DEF 200 DRILLING
```

Cycle definition: drilling

```
Q200=2 ;SET-UP CLEARANCE
```

```
Q201=-10 ;DEPTH
```

```
Q206=250 ;FEED RATE FOR PLNGN
```

```
Q202=5 ;PLUNGING DEPTH
```

```
Q210=0 ;DWELL TIME AT TOP
```

```
Q203=+0 ;SURFACE COORDINATE
```

```
Q204=10 ;2ND SET-UP CLEARANCE
```

```
Q211=0.25 ;DWELL TIME AT DEPTH
```

7.6 Programming Examples

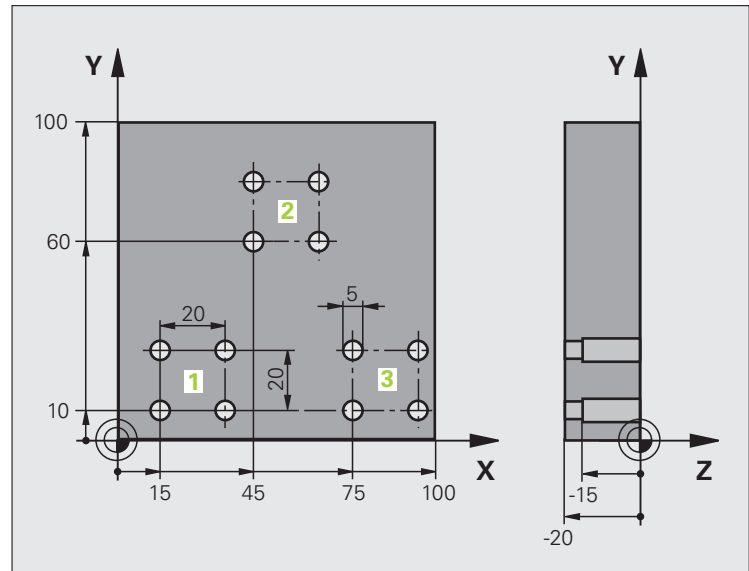
6 L X+15 Y+10 R0 FMAX M3	Move to starting point for group 1
7 CALL LBL 1	Call the subprogram for the group
8 L X+45 Y+60 R0 FMAX	Move to starting point for group 2
9 CALL LBL 1	Call the subprogram for the group
10 L X+75 Y+10 R0 FMAX	Move to starting point for group 3
11 CALL LBL 1	Call the subprogram for the group
12 L Z+250 R0 FMAX M2	End of main program
13 LBL 1	Beginning of subprogram 1: Group of holes
14 CYCL CALL	Hole 1
15 L IX+20 R0 FMAX M99	Move to 2nd hole, call cycle
16 L IY+20 R0 FMAX M99	Move to 3rd hole, call cycle
17 L IX-20 R0 FMAX M99	Move to 4th hole, call cycle
18 LBL 0	End of subprogram 1
19 END PGM SP1 MM	



Example: Group of holes with several tools

Program sequence

- Program the fixed cycles in the main program
- Call the entire hole pattern (subprogram 1)
- Approach the groups of holes in subprogram 1, call group of holes (subprogram 2)
- Program the group of holes only once in subprogram 2



```
0 BEGIN PGM SP2 MM
```

```
1 BLK FORM 0.1 Z X+0 Y+0 Z-20
```

```
2 BLK FORM 0.2 X+100 Y+100 Z+0
```

```
3 TOOL CALL 1 Z S5000
```

Call tool: center drill

```
4 L Z+250 R0 FMAX
```

Retract the tool

```
5 CYCL DEF 200 DRILLING
```

Cycle definition: CENTERING

```
    Q200=2 ;SET-UP CLEARANCE
```

```
    Q202=-3 ;DEPTH
```

```
    Q206=250 ;FEED RATE FOR PLNGN
```

```
    Q202=3 ;PLUNGING DEPTH
```

```
    Q210=0 ;DWELL TIME AT TOP
```

```
    Q203=+0 ;SURFACE COORDINATE
```

```
    Q204=10 ;2ND SET-UP CLEARANCE
```

```
    Q211=0.25 ;DWELL TIME AT DEPTH
```

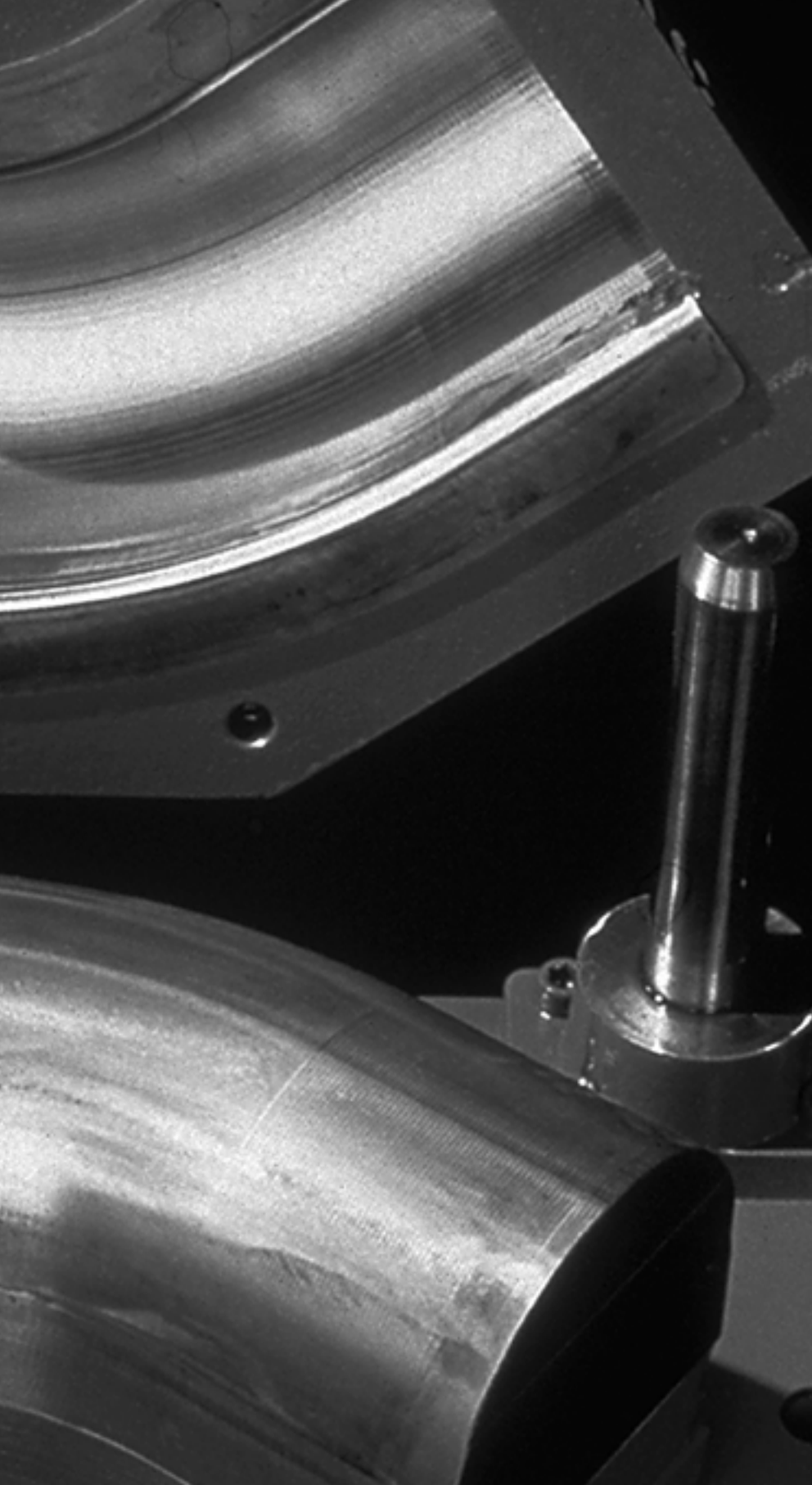
```
6 CALL LBL 1
```

Call subprogram 1 for the entire hole pattern

7.6 Programming Examples

7 L Z+250 R0 FMAX M6	Tool change
8 TOOL CALL 2 Z S4000	Call tool: drill
9 FN 0: Q201 = -25	New depth for drilling
10 FN 0: Q202 = +5	New plunging depth for drilling
11 CALL LBL 1	Call subprogram 1 for the entire hole pattern
12 L Z+250 R0 FMAX M6	Tool change
13 TOOL CALL 3 Z S500	Call tool: reamer
14 CYCL DEF 201 REAMING	Cycle definition: REAMING
Q200=2 ;SET-UP CLEARANCE	
Q201=-15 ;DEPTH	
Q206=250 ;FEED RATE FOR PLNGN	
Q211=0.5 ;DWELL TIME AT DEPTH	
Q208=400 ;RETRACTION FEED RATE	
Q203=+0 ;SURFACE COORDINATE	
Q204=10 ;2ND SET-UP CLEARANCE	
15 CALL LBL 1	Call subprogram 1 for the entire hole pattern
16 L Z+250 R0 FMAX M2	End of main program
17 LBL 1	Beginning of subprogram 1: Entire hole pattern
18 L X+15 Y+10 R0 FMAX M3	Move to starting point for group 1
19 CALL LBL 2	Call subprogram 2 for the group
20 L X+45 Y+60 R0 FMAX	Move to starting point for group 2
21 CALL LBL 2	Call subprogram 2 for the group
22 L X+75 Y+10 R0 FMAX	Move to starting point for group 3
23 CALL LBL 2	Call subprogram 2 for the group
24 LBL 0	End of subprogram 1
25 LBL 2	Beginning of subprogram 2: Group of holes
26 CYCL CALL	1st hole with active fixed cycle
27 L IX+20 R0 FMAX M99	Move to 2nd hole, call cycle
28 L IY+20 R0 FMAX M99	Move to 3rd hole, call cycle
29 L IX-20 R0 FMAX M99	Move to 4th hole, call cycle
30 LBL 0	End of subprogram 2
31 END PGM SP2 MM	





8

**Programming:
Q Parameters**



8.1 Principle and Overview

You can program entire families of parts in a single part program. You do this by entering variables called Q parameters instead of fixed numerical values.

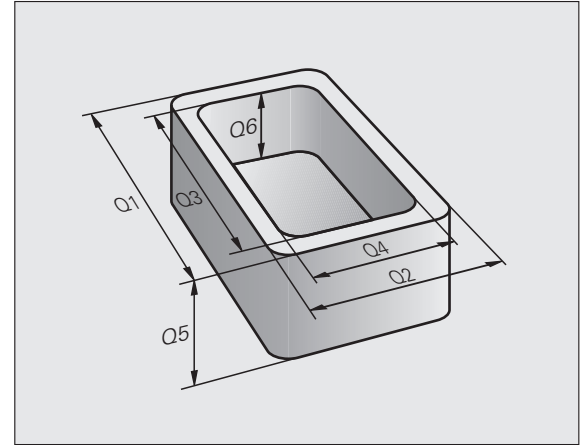
Q parameters can represent information such as:

- Coordinate values
- Feed rates
- Spindle speeds
- Cycle data

Q parameters also enable you to program contours that are defined with mathematical functions. You can also use Q parameters to make the execution of machining steps depend on logical conditions. In conjunction with FK programming you can also combine contours that do not have NC-compatible dimensions with Q parameters.

Q parameters are designated by letters and a number between 0 and 1999. Parameters that take effect in different manners are available. Please refer to the following table:

Meaning	Range
Freely applicable parameters, as long as no overlapping with SL cycles can occur. They are globally effective for all programs stored in the TNC memory.	Q0 to Q99
Parameters for special TNC functions.	Q100 to Q199
Parameters that are primarily used for cycles; they are globally effective for all programs stored in the TNC memory.	Q200 to Q1199
Parameters that are primarily used for OEM cycles, and are globally effective for all programs stored in the TNC memory. This may require coordination with the machine manufacturer or supplier.	Q1200 to Q1399
Parameters that are primarily used for call-active OEM cycles, and are globally effective for all programs that are stored in the TNC memory.	Q1400 to Q1499
Parameters that are primarily used for Def-active OEM cycles, and are globally effective for all programs that are stored in the TNC memory.	Q1500 to Q1599
Freely applicable parameters, globally effective for all programs stored in the TNC memory.	Q1600 to Q1999



Meaning	Range
Freely usable QL parameters, only effective locally (within a program).	QL0 to QL499
Freely usable QR parameters that are nonvolatile, i.e. they remain in effect even after a power interruption.	QR0 to QR499

QS parameters (the **S** stands for string) are also available on the TNC and enable you to process texts. In principle, the same ranges are available for **QS** parameters as for **Q** parameters (see table above).



Note that for the **QS** parameters the **QS100** to **QS199** range is reserved for internal texts.

Local parameters **QL** are only effective within the respective program, and are not applied as part of program calls or macros.

Programming notes

You can mix **Q** parameters and fixed numerical values within a program.

Q parameters can be assigned numerical values between -999 999 999 and +999 999 999. The input range is limited to 15 digits, of which up to 9 may be before the decimal point. Internally the TNC calculates numbers up to a value of 10^{10} .

You can assign a maximum of 254 characters to **QS** parameters.

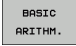
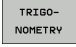
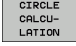

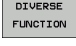

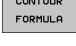


Some **Q** and **QS** parameters are always assigned the same data by the TNC. For example, **Q108** is always assigned the current tool radius (see "Preassigned **Q** Parameters", page 311).



Calling Q-parameter functions

When you are writing a part program, press the "Q" key (in the numeric keypad for numerical input and axis selection, below the +/- key). The TNC then displays the following soft keys:

Function group	Soft key	Page
Basic arithmetic (assign, add, subtract, multiply, divide, square root)		Page 252
Trigonometric functions		Page 254
Function for calculating circles		Page 256
If/then conditions, jumps		Page 257
Other functions		Page 261
Entering formulas directly		Page 295
Function for machining complex contours		See User's Manual for Cycles



The TNC shows the soft keys Q, QL and QR when you are defining or assigning a Q parameter. First press one of these soft keys to select the desired type of parameter, and then enter the parameter number.

If you have a USB keyboard connected, you can press the Q key to open the dialog for entering a formula.



8.2 Part Families—Q Parameters in Place of Numerical Values

Application

The Q parameter function **FN 0: ASSIGN** assigns numerical values to Q parameters. This enables you to use variables in the program instead of fixed numerical values.

Example NC blocks

15 FN 0: Q10=25	Assignment
...	Q10 is assigned the value 25
25 L X +Q10	Means L X +25

You need write only one program for a whole family of parts, entering the characteristic dimensions as Q parameters.

To program a particular part, you then assign the appropriate numerical values to the individual Q parameters.

Example

Cylinder with Q parameters

Cylinder radius

$$R = Q1$$

Cylinder height

$$H = Q2$$

Cylinder Z1

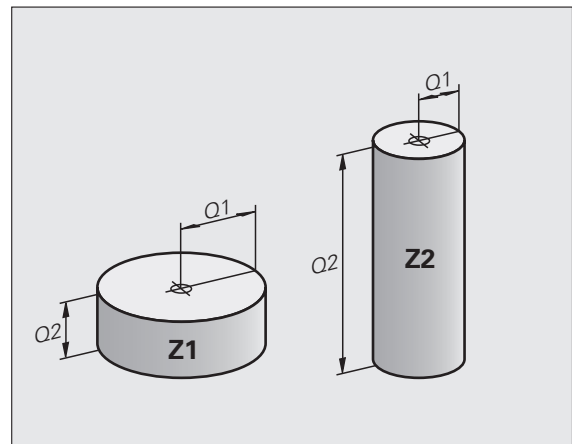
$$Q1 = +30$$

$$Q2 = +10$$

Cylinder Z2

$$Q1 = +10$$

$$Q2 = +50$$



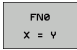
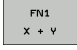
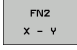
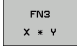
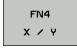

8.3 Describing Contours through Mathematical Operations

Application

The Q parameters listed below enable you to program basic mathematical functions in a part program:

- ▶ To select a Q-parameter function, press the Q key (in the numerical keypad at right). The Q-parameter functions are displayed in a soft-key row
- ▶ To select the mathematical functions, press the BASIC ARITHMETIC soft key. The TNC then displays the following soft keys:

Overview

Function	Soft key
FN 0: ASSIGN Example: FN 0: Q5 = +60 Assigns a numerical value	
FN 1: ADDITION Example: FN 1: Q1 = -Q2 + -5 Calculates and assigns the sum of two values	
FN 2: SUBTRACTION Example: FN 2: Q1 = +10 - +5 Calculates and assigns the difference of two values	
FN 3: MULTIPLICATION Example: FN 3: Q2 = +3 * +3 Calculates and assigns the product of two values	
FN 4: DIVISION Example: FN 4: Q4 = +8 DIV +Q2 Calculates and assigns the quotient of two values Not permitted: Division by 0!	
FN 5: SQUARE ROOT Example: FN 5: Q20 = SQRT 4 Calculates and assigns the square root of a number Not permitted: Calculating the square root of a negative value!	

To the right of the "=" character you can enter the following:

- Two numbers
- Two Q parameters
- A number and a Q parameter

The Q parameters and numerical values in the equations can be entered with positive or negative signs.



Programming fundamental operations

Example:

Q Call the Q parameter functions by pressing the Q key

BASIC ARITHM. To select the mathematical functions, press the BASIC ARITHMETIC soft key

FN0 X = Y To select the Q parameter function ASSIGN, press the FN0 X = Y soft key

PARAMETER NO. FOR RESULT?

5 **ENT** Enter the number of the Q parameter, e.g. 5

1. VALUE OR PARAMETER?

10 **ENT** Assign the value 10 to Q5

Q Call the Q parameter functions by pressing the Q key

BASIC ARITHM. To select the mathematical functions, press the BASIC ARITHMETIC soft key

FN3 X * Y To select the Q parameter function MULTIPLICATION, press the FN3 X * Y soft key

PARAMETER NO. FOR RESULT?

12 **ENT** Enter the number of the Q parameter, e.g. 12

1. VALUE OR PARAMETER?

Q5 **ENT** Enter Q5 for the first value

2. VALUE OR PARAMETER?

7 **ENT** Enter 7 for the second value

Example: Program blocks in the TNC

16 FN 0: Q5 = +10

17 FN 3: Q12 = +Q5 * +7



8.4 Trigonometric Functions

Definitions

Sine, cosine and tangent are terms designating the ratios of sides of right triangles. In this case:

Sine: $\sin \alpha = a / c$

Cosine: $\cos \alpha = b / c$

Tangent: $\tan \alpha = a / b = \sin \alpha / \cos \alpha$

where

- c is the side opposite the right angle
- a is the side opposite the angle α
- b is the third side.

The TNC can find the angle from the tangent:

$$\alpha = \arctan (a / b) = \arctan (\sin \alpha / \cos \alpha)$$

Example:

$$a = 25 \text{ mm}$$

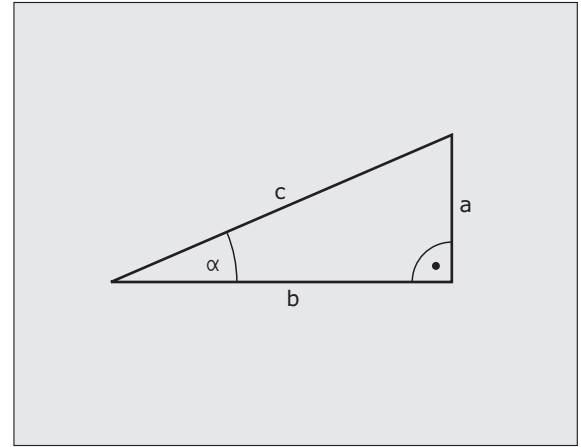
$$b = 50 \text{ mm}$$

$$\alpha = \arctan (a / b) = \arctan 0.5 = 26.57^\circ$$

Furthermore:

$$a^2 + b^2 = c^2 \text{ (where } a^2 = a \times a \text{)}$$


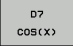

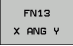
$$c = \sqrt{(a^2 + b^2)}$$



Programming trigonometric functions

Press the ANGLE FUNCTION soft key to call the trigonometric functions. The TNC then displays the following soft keys:

Programming: Compare "Example: Programming fundamental operations."

Function	Soft key
FN 6: SINE Example: FN 6: Q20 = SIN-Q5 Calculates and assigns the sine of an angle in degrees (°)	
FN 7: COSINE Example: FN 7: Q21 = COS-Q5 Calculates and assigns the cosine of an angle in degrees (°)	
FN 8: ROOT SUM OF SQUARES Example: FN 8: Q10 = +5 LEN +4 Calculates and assigns length from two values	
FN 13: ANGLE Example: FN 13: Q20 = +25 ANG-Q1 Calculates the angle from the arc tangent of two sides or from the sine and cosine of the angle ($0^\circ < \text{angle} < 360^\circ$) and assigns it to a parameter	

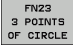


8.5 Circle Calculations

Application

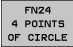
The TNC can use the functions for calculating circles to calculate the circle center and the circle radius from three or four given points on the circle. The calculation is more accurate if four points are used.

Application: These functions can be used if you wish to determine the location and size of a hole or a pitch circle using the programmable probing function.

Function	Soft key
FN 23: Determining the CIRCLE DATA from three points Example: FN 23: Q20 = CDATA Q30	

The coordinate pairs of three points on a circle must be saved in Q30 and the following five parameters—in this case, up to Q35.

The TNC then saves the circle center in the reference axis (X if spindle axis is Z) in parameter Q20, the circle center in the minor axis (Y if spindle axis is Z) in parameter Q21, and the circle radius in parameter Q22.

Function	Soft key
FN 24: Determining the CIRCLE DATA from four points Example: FN 24: Q20 = CDATA Q30	

The coordinate pairs of four points on a circle must be saved in Q30 and the following seven parameters—in this case, up to Q37.

The TNC then saves the circle center in the reference axis (X if spindle axis is Z) in parameter Q20, the circle center in the minor axis (Y if spindle axis is Z) in parameter Q21, and the circle radius in parameter Q22.



Note that **FN 23** and **FN 24** automatically overwrite the resulting parameter and the two following parameters.



8.6 If-Then Decisions with Q Parameters

Application

The TNC can make logical If-Then decisions by comparing a Q parameter with another Q parameter or with a numerical value. If the condition is fulfilled, the TNC continues the program at the label that is programmed after the condition (for information on labels, see "Labeling Subprograms and Program Section Repeats", page 232). If it is not fulfilled, the TNC continues with the next block.

To call another program as a subprogram, enter a **PGM CALL** program call after the block with the target label.

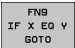

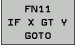
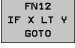
Unconditional jumps

An unconditional jump is programmed by entering a conditional jump whose condition is always true. Example:

FN 9: IF+10 EQU+10 GOTO LBL1

Programming If-Then decisions

Press the JUMP soft key to call the If-Then conditions. The TNC then displays the following soft keys:

Function	Soft key
FN 9: IF EQUAL, JUMP Example: FN 9: IF +Q1 EQU +Q3 GOTO LBL "UPCAN25" If the two values or parameters are equal, jump to the given label.	
FN 10: IF UNEQUAL, JUMP Example: FN 10: IF +10 NE -Q5 GOTO LBL 10 If the two values or parameters are unequal, jump to the given label.	
FN 11: IF GREATER, JUMP Example: FN 11: IF+Q1 GT+10 GOTO LBL 5 If the first value or parameter is greater than the second, jump to the given label.	
FN 12: IF LESS, JUMP Example: FN 12: IF+Q5 LT+0 GOTO LBL "ANYNAME" If the first value or parameter is less than the second, jump to the given label.	



Abbreviations used:

IF	:	If
EQU	:	Equal
NE	:	Not equal
GT	:	Greater than
LT	:	Less than
GOTO	:	Go to



8.7 Checking and Changing Q Parameters

Procedure

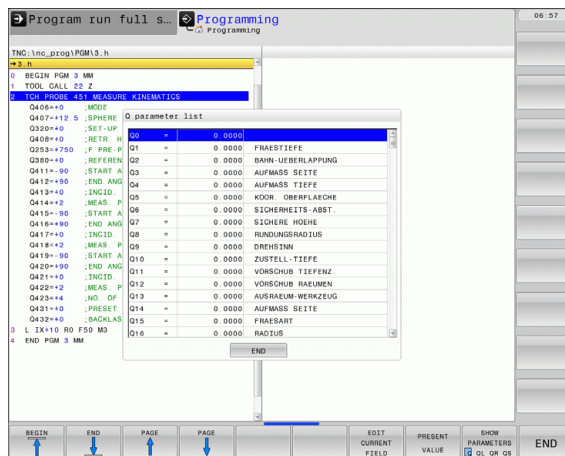
You can check Q parameters in all operating modes (when writing, testing and running programs) and also edit them.

- ▶ If you are in a program run, interrupt it if required (for example, by pressing the machine STOP button and the INTERNAL STOP soft key). If you are in a test run, interrupt it.
 - ▶ To call Q-parameter functions, press the Q INFO soft key or the Q key.
 - ▶ The TNC lists all parameters and their current values. Use the arrow keys or the GOTO key to select the desired parameter.
 - ▶ If you would like to change the value, press the EDIT CURRENT FIELD soft key, enter the new value, and confirm with the ENT key.
 - ▶ To leave the value unchanged, press the PRESENT VALUE soft key or end the dialog with the END key.



The parameters used internally or by the TNC in cycles are commented.

If you want to check or edit local, global or string parameters, press the SHOW PARAMETERS Q QL QR QS soft key. The TNC then displays the specific parameter type. The functions previously described also apply.



8.7 Checking and Changing Q Parameters

You can have the Q parameters be shown in the additional status display in the Manual, El. Handwheel, Single Block, Full Sequence and Test Run operating modes.

- ▶ If you are in a program run, interrupt it if required (for example, by pressing the machine STOP button and the INTERNAL STOP soft key). If you are in a test run, interrupt it.

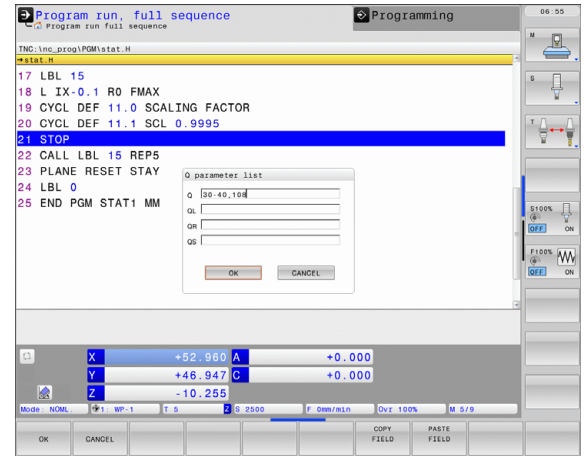


PROGRAM
+
STATUS

STATUS OF
Q PARAM.

Q
PARAMETER
LIST

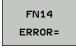
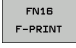
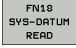
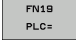
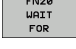
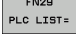

- ▶ Call the soft-key row for screen layout
- ▶ Select the screen layout with additional status display: In the right half of the screen, the TNC shows the **Overview** status form
- ▶ Press the STATUS OF Q PARAM. soft key
- ▶ Press the Q PARAMETER LIST soft key
- ▶ The TNC opens a pop-up window in which you can enter the desired range for display of the Q parameters or string parameters. Multiple Q parameters are entered separated by commas (e.g. Q 1,2,3,4). To define display ranges, enter a hyphen (e.g. Q 10-14).



8.8 Additional Functions

Overview

Press the DIVERSE FUNCTION soft key to call the additional functions. The TNC then displays the following soft keys:

Function	Soft key	Page
FN 14:ERROR Output of error messages		Page 262
FN 16:F-PRINT Formatted output of texts or Q-parameter values		Page 267
FN 18:SYS-DATUM READ Read system data		Page 271
FN 19:PLC Send values to the PLC		Page 280
FN 20:WAIT FOR Synchronize NC and PLC		Page 280
FN 29:PLC Transfer up to eight values to the PLC		Page 282
FN 37:EXPORT Export local Q parameters or QS parameters into a calling program		Page 283



FN 14: ERROR: Displaying error messages

With the function **FN 14: ERROR** you can call messages under program control. The messages are predefined by the machine tool builder or by HEIDENHAIN. Whenever the TNC comes to a block with **FN 14** in the Program Run or Test Run mode, it interrupts the program run and displays a message. The program must then be restarted from this point. The error numbers are listed in the table below.

Range of error numbers	Standard dialog text
0 ... 999	Machine-dependent dialog
1000 ... 1199	Internal error messages (see table at right)

Example NC block

The TNC is to display the text stored under error number 254:

```
180 FN 14: ERROR = 254
```

Error message predefined by HEIDENHAIN

Error number	Text
1000	Spindle?
1001	Tool axis is missing
1002	Tool radius too small
1003	Tool radius too large
1004	Range exceeded
1005	Start position incorrect
1006	ROTATION not permitted
1007	SCALING FACTOR not permitted
1008	MIRROR IMAGE not permitted
1009	Datum shift not permitted
1010	Feed rate is missing
1011	Input value incorrect
1012	Incorrect sign
1013	Entered angle not permitted
1014	Touch point inaccessible
1015	Too many points
1016	Contradictory input



Error number	Text
1017	CYCL incomplete
1018	Plane wrongly defined
1019	Wrong axis programmed
1020	Wrong rpm
1021	Radius comp. undefined
1022	Rounding-off undefined
1023	Rounding radius too large
1024	Program start undefined
1025	Excessive nesting
1026	Angle reference missing
1027	No fixed cycle defined
1028	Slot width too small
1029	Pocket too small
1030	Q202 not defined
1031	Q205 not defined
1032	Q218 must be greater than Q219
1033	CYCL 210 not permitted
1034	CYCL 211 not permitted
1035	Q220 too large
1036	Q222 must be greater than Q223
1037	Q244 must be greater than 0
1038	Q245 must not equal Q246
1039	Angle range must be < 360°
1040	Q223 must be greater than Q222
1041	Q214: 0 not permitted



Error number	Text
1042	Traverse direction not defined
1043	No datum table active
1044	Position error: center in axis 1
1045	Position error: center in axis 2
1046	Hole diameter too small
1047	Hole diameter too large
1048	Stud diameter too small
1049	Stud diameter too large
1050	Pocket too small: rework axis 1
1051	Pocket too small: rework axis 2
1052	Pocket too large: scrap axis 1
1053	Pocket too large: scrap axis 2
1054	Stud too small: scrap axis 1
1055	Stud too small: scrap axis 2
1056	Stud too large: rework axis 1
1057	Stud too large: rework axis 2
1058	TCHPROBE 425: length exceeds max
1059	TCHPROBE 425: length below min
1060	TCHPROBE 426: length exceeds max
1061	TCHPROBE 426: length below min
1062	TCHPROBE 430: diameter too large
1063	TCHPROBE 430: diameter too small
1064	No measuring axis defined
1065	Tool breakage tolerance exceeded
1066	Enter Q247 unequal to 0
1067	Enter Q247 greater than 5
1068	Datum table?
1069	Enter Q351 unequal 0
1070	Thread depth too large



Error number	Text
1071	Missing calibration data
1072	Tolerance exceeded
1073	Block scan active
1074	ORIENTATION not permitted
1075	3-D ROT not permitted
1076	Activate 3-D ROT
1077	Enter depth as negative
1078	Q303 in meas. cycle undefined!
1079	Tool axis not allowed
1080	Calculated values incorrect
1081	Contradictory measuring points
1082	Incorrect clearance height
1083	Contradictory plunge type
1084	This fixed cycle not allowed
1085	Line is write-protected
1086	Oversize greater than depth
1087	No point angle defined
1088	Contradictory data
1089	Slot position 0 not allowed
1090	Enter an infeed not equal to 0
1091	Switchover of Q399 not allowed
1092	Tool not defined
1093	Tool number not allowed
1094	Tool name not allowed
1095	Software option not active
1096	Kinematics cannot be restored
1097	Function not permitted
1098	Contradictory workpc. blank dim.
1099	Measuring position not allowed



Error number	Text
1100	Kinematic access not possible
1101	Meas. pos. not in traverse range
1102	Preset compensation not possible
1103	Tool radius too large
1104	Plunging type is not possible
1105	Plunge angle incorrectly defined
1106	Angular length is undefined
1107	Slot width is too large
1108	Scaling factors not equal
1109	Tool data inconsistent



FN 16: F-PRINT: Formatted output of text and Q-parameter values



With **FN 16** you can also output to the screen any messages from the NC program. Such messages are displayed by the TNC in a pop-up window.

The function **FN 16: F-PRINT** transfers Q parameter values and texts in a selectable format. If you send the values, the TNC saves the data in the file that you defined in the **FN 16** block.

To output the formatted texts and Q-parameter values, create a text file with the TNC's text editor. In this file you then define the output format and Q parameters you want to output.

Example of a text file to define the output format:

```
"MEASURING LOG OF IMPELLER CENTER OF GRAVITY";
```

```
"DATE: %2d-%2d-%4d", DAY, MONTH, YEAR4;
```

```
"TIME: %2d:%2d:%2d", HOUR, MIN, SEC;
```

```
"NO. OF MEASURED VALUES: = 1";
```

```
"X1 = %9.3LF", Q31;
```

```
"Y1 = %9.3LF", Q32;
```

```
"Z1 = %9.3LF", Q33;
```

When you create a text file, use the following formatting functions:

Special character	Function
"....."	Define output format for texts and variables between the quotation marks
%9.3LF	Define format for Q parameter: 9 total characters (incl. decimal point), of which 3 are after the decimal, Long, Floating (decimal number)
%S	Format for text variable
%d	Format for integer
,	Separation character between output format and parameter
;	End of block character
\n	Line break



The following functions allow you to include the following additional information in the protocol log file:

Keyword	Function
CALL_PATH	Indicates the path for the NC program where you will find the FN16 function. Example: "Measuring program: %S",CALL_PATH;
M_CLOSE	Closes the file to which you are writing with FN16. Example: M_CLOSE;
M_APPEND	Upon renewed output, appends the log to the existing log. Example: M_APPEND;
L_ENGLISH	Displays text only in English conversational
L_GERMAN	Displays text only in German conversational
L_CZECH	Displays text only in Czech conversational
L_FRENCH	Displays text only in French conversational
L_ITALIAN	Displays text only in Italian conversational
L_SPANISH	Displays text only in Spanish conversational
L_SWEDISH	Displays text only in Swedish conversational
L_DANISH	Displays text only in Danish conversational
L_FINNISH	Displays text only in Finnish conversational
L_DUTCH	Displays text only in Dutch conversational
L_POLISH	Displays text only in Polish conversational
L_PORTUGUE	Displays text only in Portuguese conversational
L_HUNGARIA	Displays text only in Hungarian conversational
L_SLOVENIAN	Displays text only in Slovenian conversational
L_ALL	Displays text independently of the conversational language
HOUR	Number of hours from the real-time clock
MIN	Number of minutes from the real-time clock
SEC	Number of seconds from the real-time clock



Keyword	Function
DAY	Day from the real-time clock
MONTH	Month as a number from the real-time clock
STR_MONTH	Month as a string abbreviation from the real-time clock
YEAR2	Two-digit year from the real-time clock
YEAR4	Four-digit year from the real-time clock

In the part program, program **FN 16: F-PRINT** to activate the output:

```
96 FN 16: F-PRINT TNC:\MASKE\MASKE1.A/ TNC:\PROT1.TXT
```

The TNC then creates the file PROT1.TXT:

MEASURING LOG OF IMPELLER CENTER OF GRAVITY

DATE: 27:11:2001

TIME: 8:56:34

NO. OF MEASURED VALUES : = 1

X1 = 149.360

Y1 = 25.509

Z1 = 37.000



The **FN 16** function overwrites already existing log files with the same name. Use **M_APPEND** if you want to append new log information to an existing log.

If you use **FN 16** more than once in the program, the TNC saves all texts in the file that you defined in the **FN 16** function. The file is not output until the TNC reads the **END PGM** block, or you press the NC stop button, or you close the file with **M_CLOSE**.

In the **FN 16** block, program the format file and the log file with their respective extensions.

If you enter only the file name for the path of the log file, the TNC saves the log file in the directory in which the NC program with the **FN 16** function is located.

You can define a standard path for outputting protocol files via the user parameters **fn16DefaultPath** and **fn16DefaultPathSim** (Program Test).



Displaying messages on the TNC screen

You can also use the function **FN 16** to display any messages from the NC program in a pop-up window on the TNC screen. This makes it easy to display explanatory texts, including long texts, at any point in the program in a way that the user has to react to them. You can also display Q-parameter contents if the protocol description file contains such instructions.

For the message to appear on the TNC screen, you need only enter **SCREEN:** as the name of the protocol file.

```
96 FN 16: F-PRINT TNC:\MASKE\MASKE1.A/SCREEN:
```

If the message has more lines than fit in the pop-up window, you can use the arrow keys to page in the window.

To close the pop-up window, press the CE key. To have the program close the window, program the following NC block:

```
96 FN 16: F-PRINT TNC:\MASKE\MASKE1.A/SCLR:
```



All the previously described conventions apply to the protocol description file.

The **FN 16** function overwrites already existing log files with the same name. Use **M_APPEND** if you want to append new log information to an existing log.

Exporting messages

You can also use the **FN 16** function in the NC program in order to externally save the files generated with **FN 16**. Two possibilities are available for this:

Enter the complete target path in the **FN 16** function:

```
96 FN 16: F-PRINT TNC:\MSK\MSK1.A / PC325:\LOG\PRO1.TXT
```



All the previously described conventions apply to the protocol description file.

The **FN 16** function overwrites already existing log files with the same name. Use **M_APPEND** if you want to append new log information to an existing log.



FN 18: SYS-DATUM READ

With the **FN 18: SYS-DATUM READ** function you can read system data and store them in Q parameters. You select the system data through a group name (ID number), and additionally through a number and an index.

Group name, ID no.	Number	Index	Meaning
Program information, 10	3	-	Number of the active fixed cycle
	103	Q parameter number	Relevant within NC cycles; for inquiry as to whether the Q parameter given under IDX was explicitly stated in the associated CYCLE DEF.
System jump addresses, 13	1	-	Label jumped to during M2/M30 instead of ending the current program. Value = 0: M2/M30 has the normal effect
	2	-	Label jumped to if FN14: ERROR after the NC CANCEL reaction instead of aborting the program with an error. The error number programmed in the FN14 command can be read under ID992 NR14. Value = 0: FN14 has the normal effect.
	3	-	Label jumped to in the event of an internal server error (SQL, PLC, CFG) instead of aborting the program with an error message. Value = 0: Server error has the normal effect.
Machine status, 20	1	-	Active tool number
	2	-	Prepared tool number
	3	-	Active tool axis 0=X, 1=Y, 2=Z, 6=U, 7=V, 8=W
	4	-	Programmed spindle speed
	5	-	Active spindle status: -1=undefined, 0=M3 active, 1=M4 active, 2=M5 after M3, 3=M5 after M4
	7	-	Gear range
	8	-	Coolant status: 0=off, 1=on
	9	-	Active feed rate
	10	-	Index of prepared tool
	11	-	Index of active tool
Channel data, 25	1	-	Channel number



Group name, ID no.	Number	Index	Meaning
Cycle parameter, 30	1	-	Setup clearance of active fixed cycle
	2	-	Drilling depth / milling depth of active fixed cycle
	3	-	Plunging depth of active fixed cycle
	4	-	Feed rate for pecking in active fixed cycle
	5	-	1st side length for rectangular pocket cycle
	6	-	2nd side length for rectangular pocket cycle
	7	-	1st side length for slot cycle
	8	-	2nd side length for slot cycle
	9	-	Radius for circular pocket cycle
	10	-	Feed rate for milling in active fixed cycle
	11	-	Direction of rotation for active fixed cycle
	12	-	Dwell time for active fixed cycle
	13	-	Thread pitch for Cycles 17, 18
	14	-	Finishing allowance for active fixed cycle
	15	-	Direction angle for rough out in active fixed cycle
Modal condition, 35	21	-	Probing angle
	22	-	Probing path
	23	-	Probing feed rate
Modal condition, 35	1	-	Dimensioning: 0 = absolute (G90) 1 = incremental (G91)
Data for SQL tables, 40	1	-	Result code for the last SQL command
Data from the tool table, 50	1	Tool no.	Tool length
	2	Tool no.	Tool radius
	3	Tool no.	Tool radius R2
	4	Tool no.	Tool length oversize DL
	5	Tool no.	Tool radius oversize DR
	6	Tool no.	Tool radius oversize DR2
	7	Tool no.	Tool inhibited (0 or 1)
	8	Tool no.	Number of the replacement tool



Group name, ID no.	Number	Index	Meaning
	9	Tool no.	Maximum tool age TIME1
	10	Tool no.	Maximum tool age TIME2
	11	Tool no.	Current tool age CUR. TIME
	12	Tool no.	PLC status
	13	Tool no.	Maximum tooth length LCUTS
	14	Tool no.	Maximum plunge angle ANGLE
	15	Tool no.	TT: Number of teeth CUT
	16	Tool no.	TT: Wear tolerance for length LTOL
	17	Tool no.	TT: Wear tolerance for radius RTOL
	18	Tool no.	TT: Rotational direction DIRECT (0=positive/-1=negative)
	19	Tool no.	TT: Offset in plane R-OFFS
	20	Tool no.	TT: Offset in length L-OFFS
	21	Tool no.	TT: Break tolerance for length LBREAK
	22	Tool no.	TT: Break tolerance for radius RBREAK
	23	Tool no.	PLC value
	24	Tool no.	Probe-center offset in reference axis CAL-OF1
	25	Tool no.	Probe-center offset in minor axis CAL-OF2
	26	Tool no.	Spindle angle for calibration CAL-ANG
	27	Tool no.	Tool type for pocket table
	28	Tool no.	Maximum rpm NMAX
Pocket table data, 51	1	Pocket number	Tool number
	2	Pocket number	Special tool: 0=no, 1=yes
	3	Pocket number	Fixed pocket: 0=no, 1=yes
	4	Pocket number	Locked pocket: 0=no, 1=yes
	5	Pocket number	PLC status
Pocket number of a tool in the tool-pocket table, 52	1	Tool no.	Pocket number
	2	Tool no.	Tool magazine number



Group name, ID no.	Number	Index	Meaning
Values programmed immediately after TOOL CALL, 60	1	-	Tool number T
	2	-	Active tool axis 0 = X 6 = U 1 = Y 7 = V 2 = Z 8 = W
	3	-	Spindle speed S
	4	-	Tool length oversize DL
	5	-	Tool radius oversize DR
	6	-	Automatic TOOL CALL 0 = yes, 1 = no
	7	-	Tool radius oversize DR2
	8	-	Tool index
	9	-	Active feed rate
Values programmed immediately after TOOL DEF, 61	1	-	Tool number T
	2	-	Length
	3	-	Radius
	4	-	Index
	5	-	Tool data programmed in TOOL DEF 1 = yes, 0 = no
Active tool compensation, 200	1	1 = without oversize 2 = with oversize 3 = with oversize and oversize from TOOL CALL	Active radius
	2	1 = without oversize 2 = with oversize 3 = with oversize and oversize from TOOL CALL	Active length
	3	1 = without oversize 2 = with oversize 3 = with oversize and oversize from TOOL CALL	Rounding radius R2



Group name, ID no.	Number	Index	Meaning	
Active transformations, 210	1	-	Basic rotation in MANUAL OPERATION mode	
	2	-	Programmed rotation with Cycle 10	
	3	-	Active mirrored axis	
			0: mirroring not active	
			+1: X axis mirrored	
			+2: Y axis mirrored	
			+4: Z axis mirrored	
			+64: U axis mirrored	
			+128: V axis mirrored	
			+256: W axis mirrored	
			Combinations = sum of individual axes	
	4	1	Active scaling factor in X axis	
	4	2	Active scaling factor in Y axis	
	4	3	Active scaling factor in Z axis	
	4	7	Active scaling factor in U axis	
4	8	Active scaling factor in V axis		
4	9	Active scaling factor in W axis		
3-D ROT	5	1	3-D ROT A axis	
	5	2	3-D ROT B axis	
	5	3	3-D ROT C axis	
	6	-	Tilted working plane active / inactive (-1/0) in a Program Run operating mode	
	7	-	Tilted working plane active / inactive (-1/0) in a Manual operating mode	
	Active datum shift, 220	2	1	X axis
			2	Y axis
		3	Z axis	
		4	A axis	
		5	B axis	
		6	C axis	



Group name, ID no.	Number	Index	Meaning
		7	U axis
		8	V axis
		9	W axis
Traverse range, 230	2	1 to 9	Negative software limit switch in axes 1 to 9
	3	1 to 9	Positive software limit switch in axes 1 to 9
	5	-	Software limit switch on or off: 0 = on, 1 = off
Nominal position in the REF system, 240	1	1	X axis
		2	Y axis
		3	Z axis
		4	A axis
		5	B axis
		6	C axis
		7	U axis
		8	V axis
		9	W axis
Current position in the active coordinate system, 270	1	1	X axis
		2	Y axis
		3	Z axis
		4	A axis
		5	B axis
		6	C axis
		7	U axis
		8	V axis
		9	W axis



Group name, ID no.	Number	Index	Meaning
TS triggering touch probe, 350	50	1	Touch probe type
		2	Line in the touch-probe table
	51	-	Effective length
	52	1	Effective ball radius
		2	Rounding radius
	53	1	Center offset (reference axis)
		2	Center offset (minor axis)
	54	-	Spindle-orientation angle in degrees (center offset)
	55	1	Rapid traverse
		2	Measuring feed rate
	56	1	Maximum measuring range
		2	Setup clearance
	57	1	Spindle orientation possible: 0=no, 1=yes
		2	Spindle-orientation angle
TT tool touch probe	70	1	Touch probe type
		2	Line in the touch-probe table
	71	1	Center point in reference axis (REF system)
		2	Center point in minor axis (REF system)
		3	Center point in tool axis (REF system)
	72	-	Probe contact radius
	75	1	Rapid traverse
		2	Measuring feed rate for stationary spindle
		3	Measuring feed rate for rotating spindle
	76	1	Maximum measuring range
		2	Safety clearance for linear measurement
		3	Safety clearance for radial measurement
	77	-	Spindle speed
	78	-	Probing direction



Group name, ID no.	Number	Index	Meaning
Reference point from touch probe cycle, 360	1	1 to 9 (X, Y, Z, A, B, C, U, V, W)	Last reference point of a manual touch probe cycle, or last touch point from Cycle 0 without probe length compensation but with probe radius compensation (workpiece coordinate system)
	2	1 to 9 (X, Y, Z, A, B, C, U, V, W)	Last reference point of a manual touch probe cycle, or last touch point from Cycle 0 without probe length or probe radius compensation (machine coordinate system)
	3	1 to 9 (X, Y, Z, A, B, C, U, V, W)	Result of measurement of the touch probe cycles 0 and 1 without probe radius or probe length compensation
	4	1 to 9 (X, Y, Z, A, B, C, U, V, W)	Last reference point of a manual touch probe cycle, or last touch point from Cycle 0 without probe length or stylus probe compensation (workpiece coordinate system)
	10	-	Oriented spindle stop
Value from the active datum table in the active coordinate system, 500	Line	Column	Read values
Basic transformation, 507	Line	1 to 6 (X, Y, Z, SPA, SPB, SPC)	Read the basic transformation of a preset
Axis offset, 508	Line	1 to 9 (X_OFFS, Y_OFFS, Z_OFFS, A_OFFS, B_OFFS, C_OFFS, U_OFFS, V_OFFS, W_OFFS)	Read the axis offset of a preset
Active preset, 530	1	-	Read the number of the active preset
Read data of the current tool, 950	1	-	Tool length L
	2	-	Tool radius R
	3	-	Tool radius R2
	4	-	Tool length oversize DL
	5	-	Tool radius oversize DR
	6	-	Tool radius oversize DR2
	7	-	Tool locked TL 0 = not locked, 1 = locked
	8	-	Number of the replacement tool RT
	9	-	Maximum tool age TIME1



Group name, ID no.	Number	Index	Meaning
	10	-	Maximum tool age TIME2
	11	-	Current tool age CUR. TIME
	12	-	PLC status
	13	-	Maximum tooth length LCUTS
	14	-	Maximum plunge angle ANGLE
	15	-	TT: Number of teeth CUT
	16	-	TT: Wear tolerance for length LTOL
	17	-	TT: Wear tolerance for radius RTOL
	18	-	TT: Direction of rotation DIRECT 0 = positive, -1 = negative
	19	-	TT: Offset in plane R-OFFS
	20	-	TT: Offset in length L-OFFS
	21	-	TT: Break tolerance for length LBREAK
	22	-	TT: Break tolerance for radius RBREAK
	23	-	PLC value
	24	-	Tool type TYPE 0 = milling cutter, 21 = touch probe
	27	-	Corresponding line in the touch-probe table
	32	-	Point angle
	34	-	Lift off
Touch probe cycles, 990	1	-	Approach behavior: 0 = standard behavior 1 = effective radius, setup clearance is zero
	2	-	0 = probe monitoring off 1 = probe monitoring on
	4	-	0 = stylus not deflected 1 = stylus deflected



Group name, ID no.	Number	Index	Meaning
Execution status, 992	10	-	Block scan active 1 = yes, 0 = no
	11	-	Search phase
	14	-	Number of the last FN14 error
	16	-	Real execution active 1 = execution , 2 = simulation

Example: Assign the value of the active scaling factor for the Z axis to Q25

```
55 FN 18: SYSREAD Q25 = ID210 NR4 IDX3
```

FN 19: PLC: Transfer values to the PLC

The **FN 19: PLC** function transfers up to two numerical values or Q parameters to the PLC.

Increments and units: 0.1 μm or 0.0001°

Example: Transfer the numerical value 10 (which means 1 μm or 0.001°) to the PLC

```
56 FN 19: PLC=+10/+Q3
```

FN 20: WAIT FOR: NC and PLC synchronization



This function may only be used with the permission of your machine tool builder.

With the **FN 20: WAIT FOR** function you can synchronize the NC and PLC during a program run. The NC stops machining until the condition that you have programmed in the FN 20 block is fulfilled. The TNC can check the following PLC operands:

PLC operand	Abbreviation	Address range
Marker	M	0 to 4999
Input	I	0 to 31, 128 to 152 64 to 126 (first PL 401 B) 192 to 254 (second PL 401 B)
Output	O	0 to 30 32 to 62 (first PL 401 B) 64 to 94 (second PL 401 B)
Counter	C	48 to 79
Timer	T	0 to 95



PLC operand	Abbreviation	Address range
Byte	B	0 to 4095
Word	W	0 to 2047
Double word	D	2048 to 4095

The TNC 640 uses an extended interface for communication between the PLC and NC. This is a new, symbolic Application Programmer Interface (**API**). The familiar previous PLC-NC interface is also available and can be used if desired. The machine tool builder decides whether the new or old TNC API is used. Enter the name of the symbolic operand as string to wait for the defined condition of the symbolic operand.

The following conditions are permitted in the FN 20 block:

Condition	Abbreviation
Equal	==
Less than	<
Greater than	>
Less than or equal	<=
Greater than or equal	>=

In addition, the **FN20: WAIT FOR SYNC** function is available. **WAIT FOR SYNC** is used whenever you read, for example, system data via **FN18** that require synchronization with real time. The TNC stops the look-ahead calculation and executes the subsequent NC block only when the NC program has actually reached that block.

Example: Stop program run until the PLC sets marker 4095 to 1

```
32 FN 20: WAIT FOR M4095==1
```

Example: Stop program run until the PLC sets the symbolic operand to 1

```
32 FN 20: APISPIN[0].NN_SPICONTROLINPOS==1
```

Example: Pause internal look-ahead calculation, read current position in the X axis

```
32 FN 20: WAIT FOR SYNC
```

```
33 FN 18: SYSREAD Q1 = ID270 NR1 IDX1
```



FN 29: PLC: Transfer values to the PLC

The FN 29: PLC function transfers up to eight numerical values or Q parameters to the PLC.

Increments and units: 0.1 μm or 0.0001°

Example: Transfer the numerical value 10 (which means 1 μm or 0.001°) to the PLC

```
56 FN 29: PLC=+10/+Q3/+Q8/+7/+1/+Q5/+Q2/+15
```



FN37: EXPORT

You need the FN37: EXPORT function if you want to create your own cycles and integrate them in the TNC. The Q parameters 0 to 99 are effective only locally. This means that the Q parameters are effective only in the program in which they were defined. With the FN 37: EXPORT function you can export locally effective Q parameters into another (calling) program.

Example: The local Q parameter Q25 is exported

```
56 FN37: EXPORT Q25
```

Example: The local Q parameters Q25 to Q30 are exported

```
56 FN37: EXPORT Q25 - Q30
```



The TNC exports the value that the parameter has at the time of the EXPORT command.

The parameter is exported only to the presently calling program.



8.9 Accessing Tables with SQL Commands

Introduction

Accessing of tables is programmed on the TNC with SQL commands in **transactions**. A transaction consists of multiple SQL commands that guarantee an orderly execution of the table entries.



Tables are configured by the machine manufacturer. Names and designations required as parameters for SQL commands are also specified.

The following **terms** are used:

- **Table:** A table consists of x columns and y rows. It is saved as a file in the File Manager of the TNC, and is addressed with the path and file name (=table name). Synonyms can also be used for addressing, as an alternative to the path and file name.
- **Columns:** The number and names of the columns are specified when configuring the table. In some SQL commands the column name is used for addressing.
- **Rows:** The number of rows is variable. You can insert new rows. There are no row numbers or other designators. However, you can select rows based on the contents of a column. Rows can only be deleted in the table editor, not by an NC program.
- **Cell:** The part of a column in a row.
- **Table entry:** Content of a cell.
- **Result set:** During a transaction, the selected columns and rows are managed in the result set. You can view the result set as a sort of "intermediate memory," which temporarily assumes the set of selected columns and rows.
- **Synonym:** This term defines a name used for a table instead of its path and file name. Synonyms are specified by the machine manufacturer in the configuration data.



A Transaction

In principle, a transaction consists of the following actions:

- Address the table (file), select rows and transfer them to the result set.
- Read rows from the result set, change rows or insert new rows.
- Conclude transaction: If changes/insertions were made, the rows from the result set are placed in the table (file).

Other actions are also necessary so that table entries can be edited in an NC program and to ensure that other changes are not made to copies of the same table rows at the same time. This results in the following **transaction sequence**:

- 1 A Q parameter is specified for each column to be edited. The Q parameter is assigned to a column—it is "bound" (**SQL BIND...**).
- 2 Address the table (file), select rows and transfer them to the result set. In addition, you define which columns are transferred to the result set (**SQL SELECT...**).

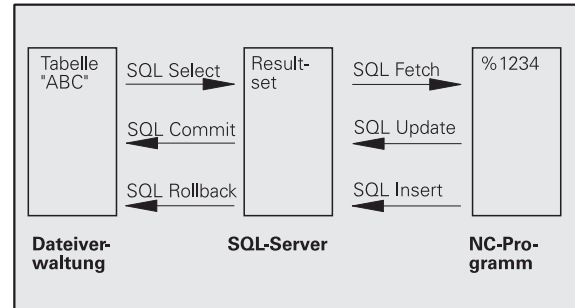
You can "lock" the selected rows. Other processes can then read these rows, but cannot change the table entries. You should always lock the selected rows when you are going to make changes (**SQL SELECT ... FOR UPDATE**).

- 3 Read rows from the result set, change rows or insert new rows:
 - Transfer one row of the result set into the Q parameters of your NC program (**SQL FETCH...**).
 - Prepare changes in the Q parameters and transfer one row from the result set (**SQL UPDATE...**).
 - Prepare new table row in the Q parameters and transfer into the result set as a new row (**SQL INSERT...**).
- 4 Conclude transaction:
 - If changes/insertions were made, the data from the result set is placed in the table (file). The data is now saved in the file. Any locks are canceled, and the result set is released (**SQL COMMIT...**).
 - If table entries were **not** changed or inserted (only read access), any locks are canceled and the result set is released (**SQL ROLLBACK... WITHOUT INDEX**).

Multiple transactions can be edited at the same time.



You must conclude a transaction, even if it consists solely of read accesses. Only this guarantees that changes/insertions are not lost, that locks are canceled, and that result sets are released.



Result set

The selected rows are numbered in ascending order within the result set, starting from 0. This numbering is referred to as the **index**. The index is used for read- and write-accesses, enabling a row of the result set to be specifically addressed.

It can often be advantageous to sort the rows in the result set. Do this by specifying the table column containing the sorting criteria. Also select ascending or descending order (**SQL SELECT ... ORDER BY ...**).

The selected rows that were transferred to the result set are addressed with the **HANDLE**. All following SQL commands use the handle to refer to this "set of selected columns and rows."

When concluding a transaction, the handle is released (**SQL COMMIT...** or **SQL ROLLBACK...**). It is then no longer valid.

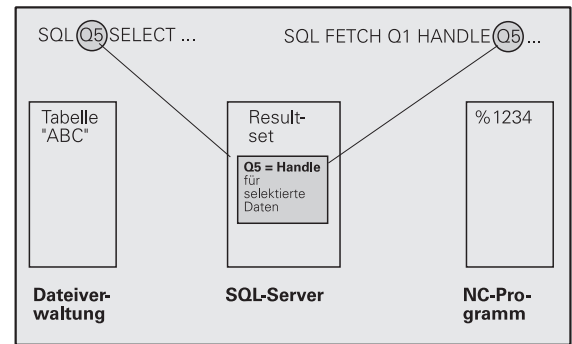
You can edit more than one result set at the same time. The SQL server assigns a new handle for each "Select" command.

"Binding" Q parameters to columns

The NC program does not have direct access to the table entries in the result set. The data must be transferred in Q parameters. In the other direction, the data is first prepared in the Q parameters and then transferred to the result set.

Specify with **SQL BIND ...** which table columns are mapped to which Q parameters. The Q parameters are "bound" (assigned) to the columns. Columns that are not bound to Q parameters are not included in the read-/write-processes.

If a new table row is generated with **SQL INSERT...**, the columns not bound to Q parameters are filled with default values.



Programming SQL commands



This function can only be programmed if you have entered the code number 555343.

Program SQL commands in the Programming mode:



- ▶ Call the SQL functions by pressing the SQL soft key
- ▶ Select an SQL command via soft key (see overview) or press the **SQL EXECUTE** soft key and program the SQL command

Overview of the soft keys

Function	Soft key
SQL EXECUTE Program a "Select" command.	
SQL BIND "Bind" a Q parameter to a table column.	
SQL FETCH Read table rows from the result set and save them in Q parameters.	
SQL UPDATE Save data from the Q parameters in an existing table row in the result set.	
SQL INSERT Save data from the Q parameters in a new table row in the result set.	
SQL COMMIT Transfer table rows from the result set into the table and conclude the transaction.	
SQL ROLLBACK <ul style="list-style-type: none"> ■ If INDEX is not programmed: Discard any changes/insertions and conclude the transaction. ■ If INDEX is programmed: The indexed row remains in the result set. All other rows are deleted from the result set. The transaction is not concluded. 	



SQL BIND

SQL BIND binds a Q parameter to a table column. The SQL commands "Fetch," "Update" and "Insert" evaluate this binding (assignment) during data transfer between the result set and the NC program.

An **SQL BIND** command without a table or column name cancels the binding. Binding remains effective at most until the end of the NC program or subprogram.



- You can program any number of bindings. Read and write processes only take into account the columns that were entered in the "Select" command.
- **SQL BIND...** must be programmed **before** "Fetch," "Update" or "Insert" commands are programmed. You can program a "Select" command without a preceding "Bind" command.
- If in the "Select" command you include columns for which no binding is programmed, an error occurs during read/write processes (program interrupt).

SQL
BIND

- ▶ **Parameter no. for result:** Q parameter that is bound (assigned) to the table column
- ▶ **Database: Column name:** Enter the table name and column name separated by a . (period)
Table name: Synonym or path and file name of this table. The synonym is entered directly, whereas the path and file name are entered in single quotation marks
Column designation: Designation of the table column as given in the configuration data

Example: Bind a Q parameter to a table column

```
11 SQL BIND Q881 "TAB_EXAMPLE.MEAS_NO"
```

```
12 SQL BIND Q882 "TAB_EXAMPLE.MEAS_X"
```

```
13 SQL BIND Q883 "TAB_EXAMPLE.MEAS_Y"
```

```
14 SQL BIND Q884 "TAB_EXAMPLE.MEAS_Z"
```

Example: Cancel binding

```
91 SQL BIND Q881
```

```
92 SQL BIND Q882
```

```
93 SQL BIND Q883
```

```
94 SQL BIND Q884
```



SQL SELECT

SQL SELECT selects table rows and transfers them to the result set.

The SQL server places the data in the result set row-by-row. The rows are numbered in ascending order, starting from 0. This row number, called the **INDEX**, is used in the SQL commands "Fetch" and "Update."

Enter the selection criteria in the **SQL SELECT...WHERE...** function. This lets you restrict the number of rows to be transferred. If you do not use this option, all rows in the table are loaded.

Enter the sorting criteria in the **SQL SELECT...ORDER BY...** function. Enter the column designation and the keyword for ascending/descending order. If you do not use this option, the rows are placed in random order.

Lock out the selected rows for other applications with the **SQL SELECT...FOR UPDATE** function. Other applications can continue to read these rows, but cannot change them. We strongly recommend using this option if you are making changes to the table entries.

Empty result set: If no rows match the selection criteria, the SQL server returns a valid handle but no table entries.





- ▶ **Parameter no. for result:** Q parameter for the handle. The SQL server returns the handle for the group of columns and rows selected with the current select command.
In case of an error (selection could not be carried out), the SQL server returns the code 1.
Code 0 identifies an invalid handle.
- ▶ **Database: SQL command text:** with the following elements:
 - **SELECT** (keyword):
Name of the SQL command. Names of the table columns to be transferred. Separate column names with a , (comma) (see examples). Q parameters must be bound to all columns entered here.
 - **FROM** table name:
Synonym or path and file name of this table. The synonym is entered directly, whereas the path name and table name are entered in single quotation marks (see examples of the SQL command, names of the table columns to be transferred—separate several columns by a comma). Q parameters must be bound to all columns entered here.
 - Optional:
WHERE selection criteria:
A selection criterion consists of a column name, condition (see table) and comparator. Link selection criteria with logical AND or OR. Program the comparator directly or with a Q parameter. A Q parameter is introduced with a colon and placed in single quotation marks (see example).
 - Optional:
ORDER BY column name **ASC** to sort in ascending order—or
ORDER BY column name **DESC** to sort in descending order.
If neither ASC nor DESC are programmed, then ascending order is used as the default setting. The TNC places the selected rows in the indicated column.
 - Optional:
FOR UPDATE (keyword):
The selected rows are locked against write-accesses from other processes.

Example: Select all table rows

```
11 SQL BIND Q881 "TAB_EXAMPLE.MEAS_NO"
12 SQL BIND Q882 "TAB_EXAMPLE.MEAS_X"
13 SQL BIND Q883 "TAB_EXAMPLE.MEAS_Y"
14 SQL BIND Q884 "TAB_EXAMPLE.MEAS_Z"
. . .
20 SQL Q5 "SELECT MEAS_NO,MEAS_X,MEAS_Y,
MEAS_Z FROM TAB_EXAMPLE"
```

Example: Selection of table rows with the WHERE function

```
. . .
20 SQL Q5 "SELECT MEAS_NO,MEAS_X,MEAS_Y,
MEAS_Z FROM TAB_EXAMPLE WHERE MEAS_NO<20"
```

Example: Selection of table rows with the WHERE function and Q parameters

```
. . .
20 SQL Q5 "SELECT MEAS_NO,MEAS_X,MEAS_Y,
MEAS_Z FROM TAB_EXAMPLE WHERE
MEAS_NO==:'Q11'"
```

Example: Table name defined with path and file name

```
. . .
20 SQL Q5 "SELECT MEAS_NO,MEAS_X,MEAS_Y,
MEAS_Z FROM 'V:\TABLE\TAB_EXAMPLE' WHERE
MEAS_NO<20"
```



Condition	Programming
Equal to	= ==
Not equal to	!= <>
Less than	<
Less than or equal to	<=
Greater than	>
Greater than or equal to	>=
Linking multiple conditions:	
Logical AND	AND
Logical OR	OR



SQL FETCH

SQL FETCH reads the row addressed with **INDEX** from the result set, and places the table entries in the bound (assigned) Q parameters. The result set is addressed with the **HANDLE**.

SQL FETCH takes into account all columns entered in the "Select" command.

SQL
FETCH

- ▶ **Parameter no. for result:** Q parameter in which the SQL server reports the result:
0: No error occurred.
1: Error occurred (incorrect handle or index too large)
- ▶ **Database: SQL access ID:** Q parameter with the **handle** for identifying the result set (also see **SQL SELECT**)
- ▶ **Database: Index for SQL result:** Row number within the result set. The table entries of this row are read and are transferred into the bound Q parameters. If you do not enter an index, the first row is read (n=0). Either enter the row number directly or program the Q parameter containing the index.

Example: Row number is transferred in a Q parameter

```
11 SQL BIND Q881 "TAB_EXAMPLE.MEAS_NO"
```

```
12 SQL BIND Q882 "TAB_EXAMPLE.MEAS_X"
```

```
13 SQL BIND Q883 "TAB_EXAMPLE.MEAS_Y"
```

```
14 SQL BIND Q884 "TAB_EXAMPLE.MEAS_Z"
```

```
. . .
```

```
20 SQL Q5 "SELECT MEAS_NO,MEAS_X,MEAS_Y,  
MEAS_Z FROM TAB_EXAMPLE"
```

```
. . .
```

```
30 SQL FETCH Q1 HANDLE Q5 INDEX+Q2
```

Example: Row number is programmed directly

```
. . .
```

```
30 SQL FETCH Q1 HANDLE Q5 INDEX5
```

SQL UPDATE

SQL UPDATE transfers the data prepared in the Q parameters into the row of the result set addressed with **INDEX**. The existing row in the result set is completely overwritten.

SQL UPDATE takes into account all columns entered in the "Select" command.

SQL UPDATE

- ▶ **Parameter no. for result:** Q parameter in which the SQL server reports the result:
0: No error occurred.
1: Error occurred (incorrect handle, index too large, value outside of value range or incorrect data format)
- ▶ **Database: SQL access ID:** Q parameter with the **handle** for identifying the result set (also see **SQL SELECT**)
- ▶ **Database: Index for SQL result:** Row number within the result set. The table entries prepared in the Q parameters are written to this row. If you do not enter an index, the first row is written to (n=0). Either enter the row number directly or program the Q parameter containing the index.

SQL INSERT

SQL INSERT generates a new row in the result set and transfers the data prepared in the Q parameters into the new row.

SQL INSERT takes into account all columns entered in the "Select" command. Table columns not entered in the "Select" command are filled with default values.

SQL INSERT

- ▶ **Parameter no. for result:** Q parameter in which the SQL server reports the result:
0: No error occurred.
1: Error occurred (incorrect handle, value outside of value range or incorrect data format)
- ▶ **Database: SQL access ID:** Q parameter with the **handle** for identifying the result set (also see **SQL SELECT**)

Example: Row number is transferred in a Q parameter

```
11 SQL BIND Q881 "TAB_EXAMPLE.MEAS_NO"
12 SQL BIND Q882 "TAB_EXAMPLE.MEAS_X"
13 SQL BIND Q883 "TAB_EXAMPLE.MEAS_Y"
14 SQL BIND Q884 "TAB_EXAMPLE.MEAS_Z"
. . .
20 SQL Q5 "SELECT MEAS_NO,MEAS_X,MEAS_Y,
MEAS_Z FROM TAB_EXAMPLE"
. . .
30 SQL FETCH Q1 HANDLE Q5 INDEX+Q2
. . .
40 SQL UPDATE Q1 HANDLE Q5 INDEX+Q2
```

Example: Row number is programmed directly

```
. . .
40 SQL UPDATE Q1 HANDLE Q5 INDEX5
```

Example: Row number is transferred in a Q parameter

```
11 SQL BIND Q881 "TAB_EXAMPLE.MEAS_NO"
12 SQL BIND Q882 "TAB_EXAMPLE.MEAS_X"
13 SQL BIND Q883 "TAB_EXAMPLE.MEAS_Y"
14 SQL BIND Q884 "TAB_EXAMPLE.MEAS_Z"
. . .
20 SQL Q5 "SELECT MEAS_NO,MEAS_X,MEAS_Y,
MEAS_Z FROM TAB_EXAMPLE"
. . .
40 SQL INSERT Q1 HANDLE Q5
```



SQL COMMIT

SQL COMMIT transfers all rows in the result set back to the table. A lock set with **SELECT...FOR UPDATE** is canceled.

The handle given in the **SQL SELECT** command loses its validity.

SQL
COMMIT

- ▶ **Parameter no. for result:** Q parameter in which the SQL server reports the result:
0: No error occurred.
1: Error occurred (incorrect handle or equal entries in columns requiring unique entries)
- ▶ **Database: SQL access ID:** Q parameter with the **handle** for identifying the result set (also see **SQL SELECT**)

SQL ROLLBACK

How **SQL ROLLBACK** is executed depends on whether **INDEX** is programmed:

- If **INDEX** is not programmed: The result set is **not** written back to the table (any changes/insertions are discarded). The transaction is closed and the handle given in the **SQL SELECT** command loses its validity. Typical application: Ending a transaction solely containing read-accesses.
- If **INDEX** is programmed: The indexed row remains. All other rows are deleted from the result set. The transaction is **not** concluded. A lock set with **SELECT...FOR UPDATE** remains for the indexed row. For all other rows it is reset.

SQL
ROLLBACK

- ▶ **Parameter no. for result:** Q parameter in which the SQL server reports the result:
0: No error occurred.
1: Error occurred (incorrect handle)
- ▶ **Database: SQL access ID:** Q parameter with the **handle** for identifying the result set (also see **SQL SELECT**)
- ▶ **Database: Index for SQL result:** Row that is to remain in the result set. Either enter the row number directly or program the Q parameter containing the index

Example:

```
11 SQL BIND Q881 "TAB_EXAMPLE.MEAS_NO"
12 SQL BIND Q882 "TAB_EXAMPLE.MEAS_X"
13 SQL BIND Q883 "TAB_EXAMPLE.MEAS_Y"
14 SQL BIND Q884 "TAB_EXAMPLE.MEAS_Z"
. . .
20 SQL Q5 "SELECT MEAS_NO,MEAS_X,MEAS_Y,
MEAS_Z FROM TAB_EXAMPLE"
. . .
30 SQL FETCH Q1 HANDLE Q5 INDEX+Q2
. . .
40 SQL UPDATE Q1 HANDLE Q5 INDEX+Q2
. . .
50 SQL COMMIT Q1 HANDLE Q5
```

Example:






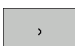
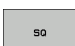

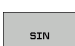
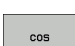

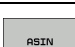

```
11 SQL BIND Q881 "TAB_EXAMPLE.MEAS_NO"
12 SQL BIND Q882 "TAB_EXAMPLE.MEAS_X"
13 SQL BIND Q883 "TAB_EXAMPLE.MEAS_Y"
14 SQL BIND Q884 "TAB_EXAMPLE.MEAS_Z"
. . .
20 SQL Q5 "SELECT MEAS_NO,MEAS_X,MEAS_Y,
MEAS_Z FROM TAB_EXAMPLE"
. . .
30 SQL FETCH Q1 HANDLE Q5 INDEX+Q2
. . .
50 SQL ROLLBACK Q1 HANDLE Q5
```


8.10 Entering Formulas Directly



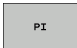








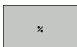
Entering formulas

You can enter mathematical formulas that include several operations directly into the part program by soft key.

Press the FORMULA soft key to call the mathematical functions. The TNC displays the following soft keys in several soft-key rows:

Mathematical function	Soft key
Addition Example: $Q10 = Q1 + Q5$	
Subtraction Example: $Q25 = Q7 - Q108$	
Multiplication Example: $Q12 = 5 * Q5$	
Division Example: $Q25 = Q1 / Q2$	
Opening parenthesis Example: $Q12 = Q1 * (Q2 + Q3)$	
Closing parenthesis Example: $Q12 = Q1 * (Q2 + Q3)$	
Square of a value Example: $Q15 = SQ 5$	
Square root Example: $Q22 = SQRT 25$	
Sine of an angle Example: $Q44 = SIN 45$	
Cosine of an angle Example: $Q45 = COS 45$	
Tangent of an angle Example: $Q46 = TAN 45$	
Arc sine Inverse of the sine. Determines the angle from the ratio of the side opposite the angle and the hypotenuse. Example: $Q10 = ASIN 0.75$	
Arc cosine Inverse of the cosine. Determines the angle from the ratio of the side adjacent to the angle and the hypotenuse. Example: $Q11 = ACOS Q40$	



Mathematical function	Soft key
Arc tangent Inverse of the tangent. Determines the angle from the ratio of the opposite side to the adjacent side. Example: Q12 = ATAN Q50	
Powers of values Example: Q15 = 3^3	
Constant "pi" (3.14159) Example: Q15 = PI	
Natural logarithm (LN) of a number Base 2.7183 Example: Q15 = LN Q11	
Logarithm of a number, base 10 Example: Q33 = LOG Q22	
Exponential function, 2.7183 to the power of n Example: Q1 = EXP Q12	
Negate (multiplication by -1) Example: Q2 = NEG Q1	
Truncate decimal places Form an integer Example: Q3 = INT Q42	
Absolute value of a number Example: Q4 = ABS Q22	
Truncate places before the decimal point Form a fraction Example: Q5 = FRAC Q23	
Check algebraic sign of a number Example: Q12 = SGN Q50 If result for Q12 = 1, then Q50 >= 0 If result for Q12 = -1, then Q50 < 0	
Calculate modulo value (division remainder) Example: Q12 = 400 % 360 Result: Q12 = 40	



Rules for formulas

Mathematical formulas are programmed according to the following rules:

Higher-level operations are performed first

$$12 \quad Q1 = 5 * 3 + 2 * 10 = 35$$

1st calculation: $5 * 3 = 15$

2nd calculation: $2 * 10 = 20$

3rd calculation: $15 + 20 = 35$

or

$$13 \quad Q2 = SQ 10 - 3^3 = 73$$

1st calculation: 10 squared = 100

2nd calculation: 3 to the power of 3 = 27

3rd calculation: $100 - 27 = 73$

Distributive law

Law for calculating with parentheses

$$a * (b + c) = a * b + a * c$$



Programming example

Calculate an angle with the arc tangent from the opposite side (Q12) and adjacent side (Q13); then store in Q25.



FORMULA

To select the formula entering function, press the Q key and the FORMULA soft key, or use the shortcut:



Press the Q key on the ASCII keyboard

PARAMETER NO. FOR RESULT?



25

Enter the parameter number



ATAN

Shift the soft-key row and select the arc tangent function



(

Shift the soft-key row and open the parentheses



12

Enter Q parameter number 12



Select division



13

Enter Q parameter number 13



END

Close parentheses and conclude formula entry

Example NC block

```
37 Q25 = ATAN (Q12/Q13)
```





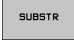



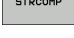
8.11 String Parameters

String processing functions

You can use the **QS** parameters to create variable character strings. You can output such character strings for example through the **FN 16:F-PRINT** function to create variable logs.

You can assign a linear sequence of characters (letters, numbers, special characters and spaces) up to a length of 256 characters to a string parameter. You can also check and process the assigned or imported values by using the functions described below. As in Q-parameter programming, you can use a total of 2000 QS parameters (see also "Principle and Overview" on page 248).

The **STRING FORMULA** and **FORMULA Q**-parameter functions contain various functions for processing the string parameters.

STRING FORMULA functions	Soft key	Page
Assign string parameters		Page 300
Chain-link string parameters		Page 300
Convert a numerical value to a string parameter		Page 302
Copy a substring from a string parameter		Page 303
FORMULA string functions	Soft key	Page
Convert a string parameter to a numerical value		Page 304
Check a string parameter		Page 305
Find the length of a string parameter		Page 306
Compare alphabetic priority		Page 307



When you use a **STRING FORMULA**, the result of the arithmetic operation is always a string. When you use the **FORMULA** function, the result of the arithmetic operation is always a numeric value.



Assigning string parameters

You have to assign a string variable before you use it. Use the **DECLARE STRING** command to do so.

SPEC
FCT

- ▶ Show the soft-key row with special functions

PROGRAM
FUNCTIONS

- ▶ Select the menu for defining various plain-language functions

STRING
FUNCTIONS

- ▶ Select string functions

DECLARE
STRING

- ▶ Select the **DECLARE STRING** function

Example NC block:

```
37 DECLARE STRING QS10 = "WORKPIECE"
```



Chain-linking string parameters

With the concatenation operator (string parameter || string parameter) you can make a chain of two or more string parameters.

- ▶ Show the soft-key row with special functions
- ▶ Select the menu for defining various plain-language functions
- ▶ Select string functions
- ▶ Select the STRING FORMULA function
- ▶ Enter the number of the string parameter in which the TNC is to save the concatenated string. Confirm with the ENT key
- ▶ Enter the number of the string parameter in which the **first** substring is saved. Confirm with the ENT key: The TNC displays the concatenation symbol ||
- ▶ Confirm your entry with the ENT key
- ▶ Enter the number of the string parameter in which the **second** substring is saved. Confirm with the ENT key
- ▶ Repeat the process until you have selected all the required substrings. Conclude with the END key

Example: QS10 is to include the complete text of QS12, QS13 and QS14

```
37 QS10 = QS12 || QS13 || QS14
```

Parameter contents:

- QS12: Workpiece
- QS13: Status:
- QS14: Scrap
- QS10: Workpiece Status: Scrap



Converting a numerical value to a string parameter

With the **TOCHAR** function, the TNC converts a numerical value to a string parameter. This enables you to chain numerical values with string variables.

SPEC
FCT

- ▶ Show the soft-key row with special functions

PROGRAM
FUNCTIONS

- ▶ Select the menu for defining various plain-language functions

STRING
FUNCTIONS

- ▶ Select string functions

STRING
FORMULA

- ▶ Select the STRING FORMULA function

TOCHAR

- ▶ Select the function for converting a numerical value to a string parameter
- ▶ Enter the number or the desired Q parameter to be converted, and confirm with the ENT key
- ▶ If desired, enter the number of decimal places that the TNC should convert, and confirm with the ENT key
- ▶ Close the parenthetical expression with the ENT key and confirm your entry with the END key


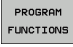
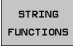
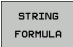
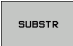
Example: Convert parameter Q50 to string parameter QS11, use 3 decimal places

```
37 QS11 = TOCHAR ( DAT+Q50 DECIMALS3 )
```



Copying a substring from a string parameter

The **SUBSTR** function copies a definable range from a string parameter.

- 
 - ▶ Show the soft-key row with special functions
- 
 - ▶ Select the menu for defining various plain-language functions
- 
 - ▶ Select string functions
- 
 - ▶ Select the STRING FORMULA function
 - ▶ Enter the number of the string parameter in which the TNC is to save the copied string. Confirm with the ENT key
- 
 - ▶ Select the function for cutting out a substring
 - ▶ Enter the number of the QS parameter from which the substring is to be copied. Confirm with the ENT key
 - ▶ Enter the number of the place starting from which to copy the substring, and confirm with the ENT key
 - ▶ Enter the number of characters to be copied, and confirm with the ENT key
 - ▶ Close the parenthetical expression with the ENT key and confirm your entry with the END key



Remember that the first character of a text sequence starts internally with the zeroth place.

Example: A four-character substring (LEN4) is read from the string parameter QS10 beginning with the third character (BEG2)

```
37 QS13 = SUBSTR ( SRC_QS10 BEG2 LEN4 )
```



Converting a string parameter to a numerical value

The **TONUMB** function converts a string parameter to a numerical value. The value to be converted should be only numerical.



The QS parameter must contain only one numerical value. Otherwise the TNC will output an error message.



- ▶ Select Q-parameter functions



- ▶ Select the FORMULA function
- ▶ Enter the number of the parameter in which the TNC is to save the numerical value. Confirm with the ENT key



- ▶ Shift the soft-key row



- ▶ Select the function for converting a string parameter to a numerical value
- ▶ Enter the number of the Q parameter to be converted, and confirm with the ENT key
- ▶ Close the parenthetical expression with the ENT key and confirm your entry with the END key

Example: Convert string parameter QS11 to a numerical parameter Q82

```
37 Q82 = TONUMB ( SRC_QS11 )
```



Checking a string parameter

The **INSTR** function checks whether a string parameter is contained in another string parameter.



- ▶ Select Q-parameter functions



- ▶ Select the FORMULA function
- ▶ Enter the number of the Q parameter in which the TNC is to save the place at which the search text begins. Confirm with the ENT key



- ▶ Shift the soft-key row



- ▶ Select the function for checking a string parameter
- ▶ Enter the number of the QS parameter in which the text to be searched for is saved. Confirm with the ENT key
- ▶ Enter the number of the QS parameter to be searched, and confirm with the ENT key
- ▶ Enter the number of the place starting from which the TNC is to search the substring, and confirm with the ENT key
- ▶ Close the parenthetical expression with the ENT key and confirm your entry with the END key



Remember that the first character of a text sequence starts internally with the zeroth place.

If the TNC cannot find the required substring, it will save the total length of the string to be searched (counting starts at 1) in the result parameter.

If the substring is found in more than one place, the TNC returns the first place at which it finds the substring.

Example: Search through QS10 for the text saved in parameter QS13. Begin the search at the third place.

```
37 Q50 = INSTR ( SRC_QS10 SEA_QS13 BEG2 )
```



Finding the length of a string parameter

The **STRLEN** function returns the length of the text saved in a selectable string parameter.



- ▶ Select Q-parameter functions



- ▶ Select the FORMULA function
- ▶ Enter the number of the Q parameter in which the TNC is to save the ascertained string length. Confirm with the ENT key



- ▶ Shift the soft-key row



- ▶ Select the function for finding the text length of a string parameter
- ▶ Enter the number of the QS parameter whose length the TNC is to ascertain, and confirm with the ENT key
- ▶ Close the parenthetical expression with the ENT key and confirm your entry with the END key

Example: Find the length of QS15

```
37 Q52 = STRLEN ( SRC_QS15 )
```



Comparing alphabetic priority

The **STRCOMP** function compares string parameters for alphabetic priority.



- ▶ Select Q-parameter functions



- ▶ Select the FORMULA function
- ▶ Enter the number of the Q parameter in which the TNC is to save the result of comparison. Confirm with the ENT key



- ▶ Shift the soft-key row



- ▶ Select the function for comparing string parameters
- ▶ Enter the number of the first QS parameter to be compared, and confirm with the ENT key
- ▶ Enter the number of the second QS parameter to be compared, and confirm with the ENT key
- ▶ Close the parenthetical expression with the ENT key and confirm your entry with the END key



The TNC returns the following results:

- **0**: The compared QS parameters are identical
- **+1**: The first QS parameter **precedes** the second QS parameter alphabetically
- **-1**: The first QS parameter **follows** the second QS parameter alphabetically

Example: QS12 and QS14 are compared for alphabetic priority

```
37 Q52 = STRCOMP ( SRC_QS12 SEA_QS14 )
```



Reading machine parameters

Use the **CFGREAD** function to read out TNC machine parameters as numerical values or as strings.

In order to read out a machine parameter, you must use the TNC's configuration editor to determine the parameter name, parameter object, and, if they have been assigned, the group name and index:

Type	Meaning	Example	Symbol
Key	Group name of the machine parameter (if assigned)	CH_NC	
Entity	Parameter object (the name starts with "Cfg...")	CfgGeoCycle	
Attribute	Name of the machine parameter	displaySpindleErr	
Index	List index of a machine parameter (if assigned)	[0]	



If you are in the configuration editor for the user parameters, you can change the display of the existing parameters. In the default setting, the parameters are displayed with short, explanatory texts. To display the actual system names of the parameters, press the key for the screen layout and then the SHOW SYSTEM NAME soft key. Follow the same procedure to return to the standard display.

Each time you want to interrogate a machine parameter with the **CFGREAD** function, you must first define a QS parameter with attribute, entity and key.

The following parameters are read in the **CFGREAD** function's dialog:

- **KEY_QS**: Group name (key) of the machine parameter
- **TAG_QS**: Object name (entity) of the machine parameter
- **ATR_QS**: Name (attribute) of the machine parameter
- **IDX**: Index of the machine parameter



Reading a string of a machine parameter

In order to store the content of a machine parameter as a string in a QS parameter:

- SPEC FCT** ▶ Show the soft-key row with special functions
- PROGRAM FUNCTIONS** ▶ Select the menu for defining various plain-language functions
- STRING FUNCTIONS** ▶ Select string functions
- STRING FORMULA**
 - ▶ Select the STRING FORMULA function
 - ▶ Enter the number of the string parameter in which the TNC is to save the machine parameter. Confirm with the ENT key
 - ▶ Select the CFGREAD function
 - ▶ Enter the numbers of the string parameters for the key, entity and attribute, then confirm with the ENT key
 - ▶ Enter the number for the index, or skip the dialog with NO ENT, whichever applies
 - ▶ Close the parenthetical expression with the ENT key and confirm your entry with the END key

Example: Read as a string the axis designation of the fourth axis

Parameter settings in the configuration editor

DisplaySettings

```
CfgDisplayData
axisDisplayOrder
[0] to [5]
```

14 DECLARE STRING QS11 = ""	Assign string parameter for key
15 DECLARE STRING QS12 = "CfgDisplayData"	Assign string parameter for entity
16 DECLARE STRING QS13 = "axisDisplayOrder"	Assign string parameter for parameter name
17 QS1 = CFGREAD(KEY_QS11 TAG_QS12 ATR_QS13 IDX3)	Read out machine parameter



Reading a numerical value of a machine parameter

In order to store the value of a machine parameter as a numerical value in a Q parameter:



- ▶ Select Q-parameter functions
- ▶ Select the FORMULA function
- ▶ Enter the number of the Q parameter in which the TNC is to save the machine parameter. Confirm with the ENT key
- ▶ Select the CFGREAD function
- ▶ Enter the numbers of the string parameters for the key, entity and attribute, then confirm with the ENT key
- ▶ Enter the number for the index, or skip the dialog with NO ENT, whichever applies
- ▶ Close the parenthetical expression with the ENT key and confirm your entry with the END key

Example: Read overlap factor as Q parameter

Parameter settings in the configuration editor

```
ChannelSettings
  CH_NC
    CfgGeoCycle
      pocketOverlap
```

14 DECLARE STRING QS11 = "CH_NC"	Assign string parameter for key
15 DECLARE STRING QS12 = "CfgGeoCycle"	Assign string parameter for entity
16 DECLARE STRING QS13 = "pocketOverlap"	Assign string parameter for parameter name
17 Q50 = CFGREAD(KEY_QS11 TAG_QS12 ATR_QS13)	Read out machine parameter



8.12 Preassigned Q Parameters

The Q parameters Q100 to Q199 are assigned values by the TNC. The following types of information are assigned to Q parameters:

- Values from the PLC
- Tool and spindle data
- Data on operating status
- Results of measurements from touch probe cycles etc.

The TNC saves the values for the preassigned Q parameters Q108, Q114 and Q115 to Q117 in the unit of measure used by the active program.



Do not use preassigned Q parameters (or QS parameters) between **Q100** and **Q199** (**QS100** and **QS199**) as calculation parameters in NC programs. Otherwise you might receive undesired results.

Values from the PLC: Q100 to Q107

The TNC uses the parameters Q100 to Q107 to transfer values from the PLC to an NC program.

Active tool radius: Q108

The active value of the tool radius is assigned to Q108. Q108 is calculated from:

- Tool radius R (tool table or **TOOL DEF** block)
- Delta value DR from the tool table
- Delta value DR from the **TOOL CALL** block



The TNC remembers the current tool radius even if the power is interrupted.



Tool axis: Q109

The value of Q109 depends on the current tool axis:

Tool axis	Parameter value
No tool axis defined	Q109 = -1
X axis	Q109 = 0
Y axis	Q109 = 1
Z axis	Q109 = 2
U axis	Q109 = 6
V axis	Q109 = 7
W axis	Q109 = 8

Spindle status: Q110

The value of the parameter Q110 depends on the M function last programmed for the spindle.

M function	Parameter value
No spindle status defined	Q110 = -1
M3: Spindle ON, clockwise	Q110 = 0
M4: Spindle ON, counterclockwise	Q110 = 1
M5 after M3	Q110 = 2
M5 after M4	Q110 = 3

Coolant on/off: Q111

M function	Parameter value
M8: Coolant ON	Q111 = 1
M9: Coolant OFF	Q111 = 0

Overlap factor: Q112

The overlap factor for pocket milling (pocketOverlap) is assigned to Q112.



Unit of measurement for dimensions in the program: Q113

During nesting with PGM CALL, the value of the parameter Q113 depends on the dimensional data of the program from which the other programs are called.

Dimensional data of the main program	Parameter value
Metric system (mm)	Q113 = 0
Inch system (inches)	Q113 = 1

Tool length: Q114

The current value for the tool length is assigned to Q114.



The TNC remembers the current tool length even if the power is interrupted.

Coordinates after probing during program run

The parameters Q115 to Q119 contain the coordinates of the spindle position at the moment of contact during programmed measurement with the 3-D touch probe. The coordinates refer to the datum point that is active in the Manual operating mode.

The length of the stylus and the radius of the ball tip are not compensated in these coordinates.

Coordinate axis	Parameter value
X axis	Q115
Y axis	Q116
Z axis	Q117
4th axis Machine-dependent	Q118
5th axis Machine-dependent	Q119



Deviation between actual value and nominal value during automatic tool measurement with the TT 130

Deviation of actual from nominal value	Parameter value
Tool length	Q115
Tool radius	Q116

Tilting the working plane with mathematical angles: rotary axis coordinates calculated by the TNC

Coordinates	Parameter value
A axis	Q120
B axis	Q121
C axis	Q122



Measurement results from touch probe cycles (see also User's Manual for Touch Probe Cycles)

Measured actual values	Parameter value
Angle of a straight line	Q150
Center in reference axis	Q151
Center in minor axis	Q152
Diameter	Q153
Pocket length	Q154
Pocket width	Q155
Length of the axis selected in the cycle	Q156
Position of the centerline	Q157
Angle in the A axis	Q158
Angle in the B axis	Q159
Coordinate of the axis selected in the cycle	Q160

Measured deviation	Parameter value
Center in reference axis	Q161
Center in minor axis	Q162
Diameter	Q163
Pocket length	Q164
Pocket width	Q165
Measured length	Q166
Position of the centerline	Q167

Determined space angle	Parameter value
Rotation about the A axis	Q170
Rotation about the B axis	Q171
Rotation about the C axis	Q172



8.12 Preassigned Q Parameters

Workpiece status	Parameter value
Good	Q180
Rework	Q181
Scrap	Q182

Tool measurement with the BLUM laser	Parameter value
Reserved	Q190
Reserved	Q191
Reserved	Q192
Reserved	Q193

Reserved for internal use	Parameter value
Marker for cycles	Q195
Marker for cycles	Q196
Marker for cycles (machining patterns)	Q197
Number of the last active measuring cycle	Q198

Status of tool measurement with TT	Parameter value
Tool within tolerance	Q199 = 0.0
Tool is worn (LTOL/RTOL is exceeded)	Q199 = 1.0
Tool is broken (LBREAK/RBREAK is exceeded)	Q199 = 2.0

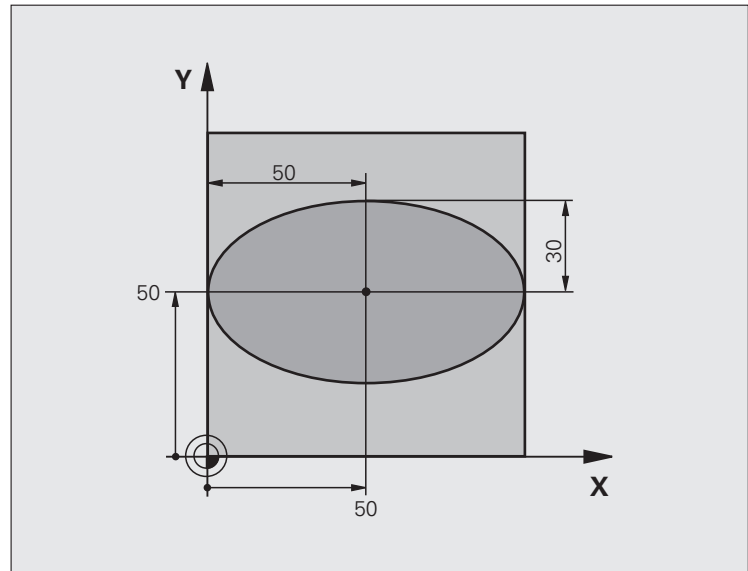


8.13 Programming Examples

Example: Ellipse

Program sequence

- The contour of the ellipse is approximated by many short lines (defined in Q7). The more calculation steps you define for the lines, the smoother the curve becomes.
- The machining direction can be altered by changing the entries for the starting and end angles in the plane:
 Clockwise machining direction:
 starting angle > end angle
 Counterclockwise machining direction:
 starting angle < end angle
- The tool radius is not taken into account.



0 BEGIN PGM ELLIPSE MM	
1 FN 0: Q1 = +50	Center in X axis
2 FN 0: Q2 = +50	Center in Y axis
3 FN 0: Q3 = +50	Semixaxis in X
4 FN 0: Q4 = +30	Semixaxis in Y
5 FN 0: Q5 = +0	Starting angle in the plane
6 FN 0: Q6 = +360	End angle in the plane
7 FN 0: Q7 = +40	Number of calculation steps
8 FN 0: Q8 = +0	Rotational position of the ellipse
9 FN 0: Q9 = +5	Milling depth
10 FN 0: Q10 = +100	Feed rate for plunging
11 FN 0: Q11 = +350	Feed rate for milling
12 FN 0: Q12 = +2	Setup clearance for pre-positioning
13 BLK FORM 0.1 Z X+0 Y+0 Z-20	Definition of workpiece blank
14 BLK FORM 0.2 X+100 Y+100 Z+0	
15 TOOL CALL 1 Z S4000	Tool call
16 L Z+250 RO FMAX	Retract the tool
17 CALL LBL 10	Call machining operation



8.13 Programming Examples

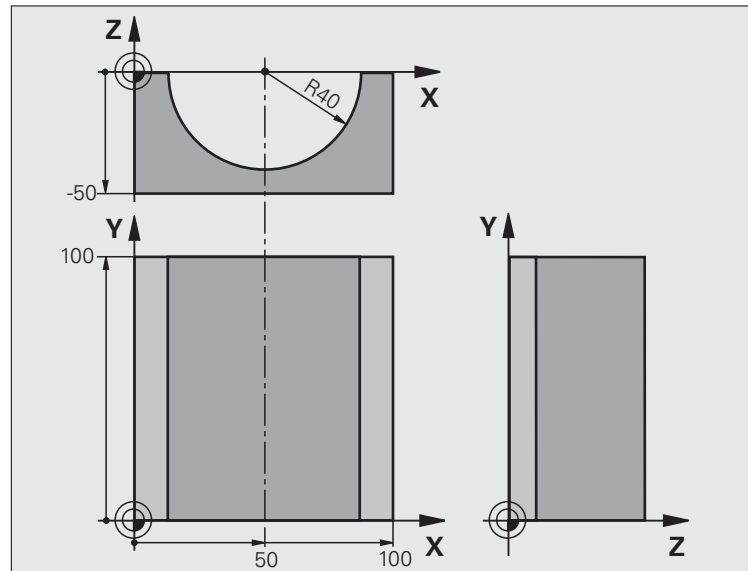
18 L Z+100 R0 FMAX M2	Retract in the tool axis, end program
19 LBL 10	Subprogram 10: Machining operation
20 CYCL DEF 7.0 DATUM SHIFT	Shift datum to center of ellipse
21 CYCL DEF 7.1 X+Q1	
22 CYCL DEF 7.2 Y+Q2	
23 CYCL DEF 10.0 ROTATION	Account for rotational position in the plane
24 CYCL DEF 10.1 ROT+Q8	
25 Q35 = (Q6 - Q5) / Q7	Calculate angle increment
26 Q36 = Q5	Copy starting angle
27 Q37 = 0	Set counter
28 Q21 = Q3 * COS Q36	Calculate X coordinate for starting point
29 Q22 = Q4 * SIN Q36	Calculate Y coordinate for starting point
30 L X+Q21 Y+Q22 R0 FMAX M3	Move to starting point in the plane
31 L Z+Q12 R0 FMAX	Pre-position in spindle axis to setup clearance
32 L Z-Q9 R0 FQ10	Move to working depth
33 LBL 1	
34 Q36 = Q36 + Q35	Update the angle
35 Q37 = Q37 + 1	Update the counter
36 Q21 = Q3 * COS Q36	Calculate the current X coordinate
37 Q22 = Q4 * SIN Q36	Calculate the current Y coordinate
38 L X+Q21 Y+Q22 R0 FQ11	Move to next point
39 FN 12: IF +Q37 LT +Q7 GOTO LBL 1	Unfinished? If not finished, return to LBL 1
40 CYCL DEF 10.0 ROTATION	Reset the rotation
41 CYCL DEF 10.1 ROT+0	
42 CYCL DEF 7.0 DATUM SHIFT	Reset the datum shift
43 CYCL DEF 7.1 X+0	
44 CYCL DEF 7.2 Y+0	
45 L Z+Q12 R0 FMAX	Move to setup clearance
46 LBL 0	End of subprogram
47 END PGM ELLIPSE MM	



Example: Concave cylinder machined with spherical cutter

Program sequence

- This program functions only with a spherical cutter. The tool length refers to the sphere center.
- The contour of the cylinder is approximated by many short line segments (defined in Q13). The more line segments you define, the smoother the curve becomes.
- The cylinder is milled in longitudinal cuts (here: parallel to the Y axis).
- The machining direction can be altered by changing the entries for the starting and end angles in space:
 - Clockwise machining direction: starting angle > end angle
 - Counterclockwise machining direction: starting angle < end angle
- The tool radius is compensated automatically.



0 BEGIN PGM CYLIN MM	
1 FN 0: Q1 = +50	Center in X axis
2 FN 0: Q2 = +0	Center in Y axis
3 FN 0: Q3 = +0	Center in Z axis
4 FN 0: Q4 = +90	Starting angle in space (Z/X plane)
5 FN 0: Q5 = +270	End angle in space (Z/X plane)
6 FN 0: Q6 = +40	Cylinder radius
7 FN 0: Q7 = +100	Length of the cylinder
8 FN 0: Q8 = +0	Rotational position in the X/Y plane
9 FN 0: Q10 = +5	Allowance for cylinder radius
10 FN 0: Q11 = +250	Feed rate for plunging
11 FN 0: Q12 = +400	Feed rate for milling
12 FN 0: Q13 = +90	Number of cuts
13 BLK FORM 0.1 Z X+0 Y+0 Z-50	Definition of workpiece blank
14 BLK FORM 0.2 X+100 Y+100 Z+0	
15 TOOL CALL 1 Z S4000	Tool call
16 L Z+250 R0 FMAX	Retract the tool
17 CALL LBL 10	Call machining operation
18 FN 0: Q10 = +0	Reset allowance
19 CALL LBL 10	Call machining operation



8.13 Programming Examples

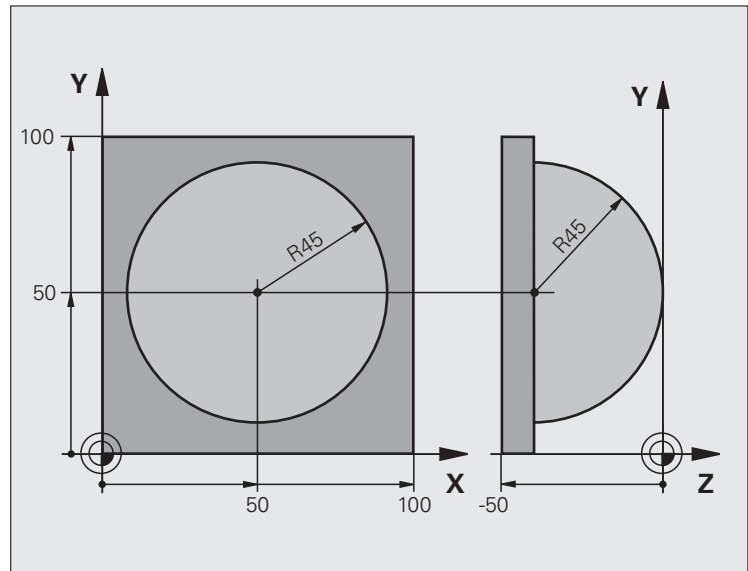
20 L Z+100 R0 FMAX M2	Retract in the tool axis, end program
21 LBL 10	Subprogram 10: Machining operation
22 Q16 = Q6 - Q10 - Q108	Account for allowance and tool, based on the cylinder radius
23 FN 0: Q20 = +1	Set counter
24 FN 0: Q24 = +Q4	Copy starting angle in space (Z/X plane)
25 Q25 = (Q5 - Q4) / Q13	Calculate angle increment
26 CYCL DEF 7.0 DATUM SHIFT	Shift datum to center of cylinder (X axis)
27 CYCL DEF 7.1 X+Q1	
28 CYCL DEF 7.2 Y+Q2	
29 CYCL DEF 7.3 Z+Q3	
30 CYCL DEF 10.0 ROTATION	Account for rotational position in the plane
31 CYCL DEF 10.1 ROT+Q8	
32 L X+0 Y+0 R0 FMAX	Pre-position in the plane to the cylinder center
33 L Z+5 R0 F1000 M3	Pre-position in the spindle axis
34 LBL 1	
35 CC Z+0 X+0	Set pole in the Z/X plane
36 LP PR+Q16 PA+Q24 FQ11	Move to starting position on cylinder, plunge-cutting obliquely into the material
37 L Y+Q7 R0 FQ12	Longitudinal cut in Y+ direction
38 FN 1: Q20 = +Q20 + +1	Update the counter
39 FN 1: Q24 = +Q24 + +Q25	Update solid angle
40 FN 11: IF +Q20 GT +Q13 GOTO LBL 99	Finished? If finished, jump to end
41 LP PR+Q16 PA+Q24 FQ11	Move in an approximated "arc" for the next longitudinal cut
42 L Y+0 R0 FQ12	Longitudinal cut in Y- direction
43 FN 1: Q20 = +Q20 + +1	Update the counter
44 FN 1: Q24 = +Q24 + +Q25	Update solid angle
45 FN 12: IF +Q20 LT +Q13 GOTO LBL 1	Unfinished? If not finished, return to LBL 1
46 LBL 99	
47 CYCL DEF 10.0 ROTATION	Reset the rotation
48 CYCL DEF 10.1 ROT+0	
49 CYCL DEF 7.0 DATUM SHIFT	Reset the datum shift
50 CYCL DEF 7.1 X+0	
51 CYCL DEF 7.2 Y+0	
52 CYCL DEF 7.3 Z+0	
53 LBL 0	End of subprogram
54 END PGM CYLIN	



Example: Convex sphere machined with end mill

Program sequence

- This program requires an end mill.
- The contour of the sphere is approximated by many short lines (in the Z/X plane, defined in Q14). The smaller you define the angle increment, the smoother the curve becomes.
- You can determine the number of contour cuts through the angle increment in the plane (defined in Q18).
- The tool moves upward in three-dimensional cuts.
- The tool radius is compensated automatically.



0 BEGIN PGM SPHERE MM	
1 FN 0: Q1 = +50	Center in X axis
2 FN 0: Q2 = +50	Center in Y axis
3 FN 0: Q4 = +90	Starting angle in space (Z/X plane)
4 FN 0: Q5 = +0	End angle in space (Z/X plane)
5 FN 0: Q14 = +5	Angle increment in space
6 FN 0: Q6 = +45	Sphere radius
7 FN 0: Q8 = +0	Starting angle of rotational position in the X/Y plane
8 FN 0: Q9 = +360	End angle of rotational position in the X/Y plane
9 FN 0: Q18 = +10	Angle increment in the X/Y plane for roughing
10 FN 0: Q10 = +5	Allowance in sphere radius for roughing
11 FN 0: Q11 = +2	Setup clearance for pre-positioning in the spindle axis
12 FN 0: Q12 = +350	Feed rate for milling
13 BLK FORM 0.1 Z X+0 Y+0 Z-50	Definition of workpiece blank
14 BLK FORM 0.2 X+100 Y+100 Z+0	
15 TOOL CALL 1 Z S4000	Tool call
16 L Z+250 R0 FMAX	Retract the tool



8.13 Programming Examples

17 CALL LBL 10	Call machining operation
18 FN 0: Q10 = +0	Reset allowance
19 FN 0: Q18 = +5	Angle increment in the X/Y plane for finishing
20 CALL LBL 10	Call machining operation
21 L Z+100 R0 FMAX M2	Retract in the tool axis, end program
22 LBL 10	Subprogram 10: Machining operation
23 FN 1: Q23 = +Q11 + +Q6	Calculate Z coordinate for pre-positioning
24 FN 0: Q24 = +Q4	Copy starting angle in space (Z/X plane)
25 FN 1: Q26 = +Q6 + +Q108	Compensate sphere radius for pre-positioning
26 FN 0: Q28 = +Q8	Copy rotational position in the plane
27 FN 1: Q16 = +Q6 + -Q10	Account for allowance in the sphere radius
28 CYCL DEF 7.0 DATUM SHIFT	Shift datum to center of sphere
29 CYCL DEF 7.1 X+Q1	
30 CYCL DEF 7.2 Y+Q2	
31 CYCL DEF 7.3 Z-Q16	
32 CYCL DEF 10.0 ROTATION	Account for starting angle of rotational position in the plane
33 CYCL DEF 10.1 ROT+Q8	
34 LBL 1	Pre-position in the spindle axis
35 CC X+0 Y+0	Set pole in the X/Y plane for pre-positioning
36 LP PR+Q26 PA+Q8 R0 FQ12	Pre-position in the plane
37 CC Z+0 X+Q108	Set pole in the Z/X plane, offset by the tool radius
38 L Y+0 Z+0 FQ12	Move to working depth



39 LBL 2	
40 LP PR+Q6 PA+Q24 FQ12	Move upward in an approximated "arc"
41 FN 2: Q24 = +Q24 - +Q14	Update solid angle
42 FN 11: IF +Q24 GT +Q5 GOTO LBL 2	Inquire whether an arc is finished. If not finished, return to LBL 2
43 LP PR+Q6 PA+Q5	Move to the end angle in space
44 L Z+Q23 R0 F1000	Retract in the spindle axis
45 L X+Q26 R0 FMAX	Pre-position for next arc
46 FN 1: Q28 = +Q28 + +Q18	Update rotational position in the plane
47 FN 0: Q24 = +Q4	Reset solid angle
48 CYCL DEF 10.0 ROTATION	Activate new rotational position
49 CYCL DEF 10.0 ROT+Q28	
50 FN 12: IF +Q28 LT +Q9 GOTO LBL 1	
51 FN 9: IF +Q28 EQU +Q9 GOTO LBL 1	Unfinished? If not finished, return to label 1
52 CYCL DEF 10.0 ROTATION	Reset the rotation
53 CYCL DEF 10.1 ROT+0	
54 CYCL DEF 7.0 DATUM SHIFT	Reset the datum shift
55 CYCL DEF 7.1 X+0	
56 CYCL DEF 7.2 Y+0	
57 CYCL DEF 7.3 Z+0	
58 LBL 0	End of subprogram
59 END PGM SPHERE MM	







9

**Programming:
Miscellaneous Functions**



9.1 Entering Miscellaneous Functions M and STOP

Fundamentals

With the TNC's miscellaneous functions—also called M functions—you can affect

- the program run, e.g., a program interruption
- the machine functions, such as switching spindle rotation and coolant supply on and off
- the path behavior of the tool



The machine tool builder may add some M functions that are not described in this User's Manual. Refer to your machine manual.

You can enter up to two M functions at the end of a positioning block or in a separate block. The TNC displays the following dialog question:

Miscellaneous function M ?

You usually enter only the number of the M function in the programming dialog. Some M functions can be programmed with additional parameters. In this case, the dialog is continued for the parameter input.

In the Manual Operation and EI. Handwheel modes of operation, the M functions are entered with the M soft key.



Please note that some M functions become effective at the start of a positioning block, and others at the end, regardless of their position in the NC block.

M functions come into effect in the block in which they are called.

Some M functions are effective only in the block in which they are programmed. Unless the M function is only effective blockwise, either you must cancel it in a subsequent block with a separate M function, or it is automatically canceled by the TNC at the end of the program.

Entering an M function in a STOP block

If you program a STOP block, the program run or test run is interrupted at the block, for example for tool inspection. You can also enter an M function in a STOP block:



- ▶ To program an interruption of program run, press the STOP key
- ▶ Enter a miscellaneous function M

Example NC blocks

```
87 STOP M6
```


9.2 Miscellaneous Functions for Program Run Control, Spindle and Coolant

Overview

M	Effect	Effective at block...	start	end
M0	Stop program run Spindle STOP Coolant OFF			■
M1	Optional program STOP Spindle STOP Coolant OFF			■
M2	Stop program run Spindle STOP Coolant OFF Go to block 1 Clear the status display (depends on the c1earMode machine parameter)			■
M3	Spindle ON clockwise		■	
M4	Spindle ON counterclockwise		■	
M5	Spindle STOP			■
M6	Tool change Spindle STOP Program STOP			■
M8	Coolant ON		■	
M9	Coolant OFF			■
M13	Spindle ON clockwise Coolant ON		■	
M14	Spindle ON counterclockwise Coolant ON		■	
M30	Same as M2			■



9.3 Miscellaneous Functions for Coordinate Data

Programming machine-referenced coordinates: M91/M92

Scale reference point

On the scale, a reference mark indicates the position of the scale reference point.

Machine datum

The machine datum is required for the following tasks:

- Defining the limits of traverse (software limit switches)
- Moving to machine-referenced positions (such as tool change positions)
- Setting the workpiece datum

The distance in each axis from the scale reference point to the machine datum is defined by the machine tool builder in a machine parameter.

Standard behavior

The TNC references coordinates to the workpiece datum (see "Datum Setting without a 3-D Touch Probe", page 447).

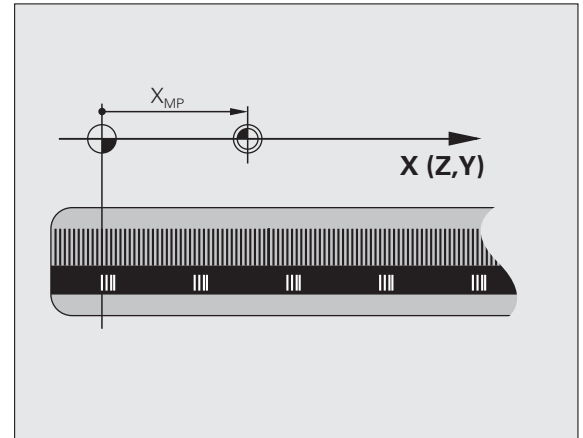
Behavior with M91—Machine datum

If you want the coordinates in a positioning block to be referenced to the machine datum, end the block with M91.



If you program incremental coordinates in an M91 block, enter them with respect to the last programmed M91 position. If no M91 position is programmed in the active NC block, then enter the coordinates with respect to the current tool position.

The coordinate values on the TNC screen are referenced to the machine datum. Switch the display of coordinates in the status display to REF (see "Status Displays", page 65).



Behavior with M92—Additional machine datum



In addition to the machine datum, the machine tool builder can also define an additional machine-based position as a reference point.

For each axis, the machine tool builder defines the distance between the machine datum and this additional machine datum. Refer to the machine manual for more information.

If you want the coordinates in a positioning block to be based on the additional machine datum, end the block with M92.



Radius compensation remains the same in blocks that are programmed with M91 or M92. The tool length, however, is **not** compensated.

Effect

M91 and M92 are effective only in the blocks in which they are programmed.

M91 and M92 take effect at the start of block.

Workpiece datum

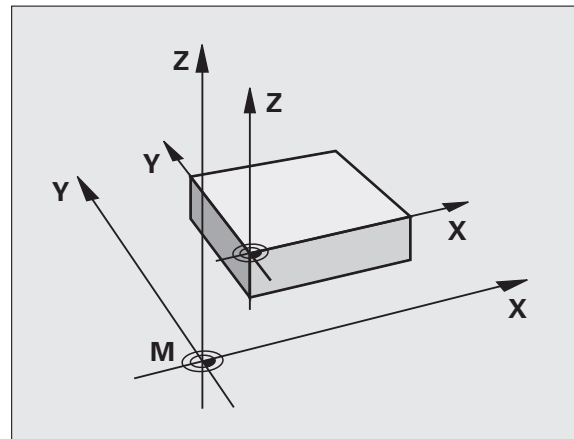
If you want the coordinates to always be referenced to the machine datum, you can inhibit datum setting for one or more axes.

If datum setting is inhibited for all axes, the TNC no longer displays the SET DATUM soft key in the Manual Operation mode.

The figure shows coordinate systems with the machine datum and workpiece datum.

M91/M92 in the Test Run mode

In order to be able to graphically simulate M91/M92 movements, you need to activate working space monitoring and display the workpiece blank referenced to the set datum (see "Showing the Blank in the Working Space", page 495).



Moving to positions in a non-tilted coordinate system with a tilted working plane: M130

Standard behavior with a tilted working plane

The TNC places the coordinates in the positioning blocks in the tilted coordinate system.

Behavior with M130

The TNC places coordinates in straight line blocks in the untilted coordinate system.

The TNC then positions the (tilted) tool to the programmed coordinates of the untilted system.



Danger of collision!

Subsequent positioning blocks or fixed cycles are carried out in a tilted coordinate system. This can lead to problems in fixed cycles with absolute pre-positioning.

The function M130 is allowed only if the tilted working plane function is active.

Effect

M130 functions blockwise in straight-line blocks without tool radius compensation.



9.4 Miscellaneous Functions for Contouring Behavior

Machining small contour steps: M97

Standard behavior

The TNC inserts a transition arc at outside corners. If the contour steps are very small, however, the tool would damage the contour.

In such cases the TNC interrupts program run and generates the error message "Tool radius too large."

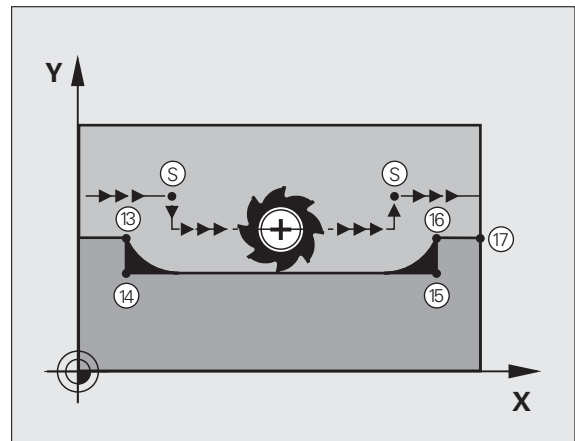
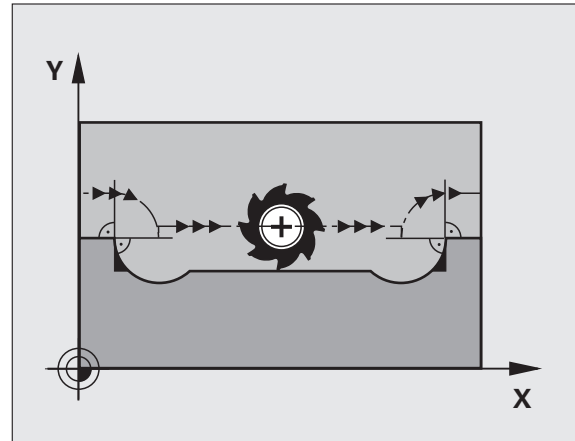
Behavior with M97

The TNC calculates the intersection of the contour elements—as at inside corners—and moves the tool over this point.

Program M97 in the same block as the outside corner.



Instead of **M97** you should use the much more powerful function **M120 LA** (see "Calculating the radius-compensated path in advance (LOOK AHEAD): M120" on page 337).



Effect

M97 is effective only in the blocks in which it is programmed.



A corner machined with M97 will not be completely finished. You may wish to rework the contour with a smaller tool.

Example NC blocks

5 T00L DEF L ... R+20	Large tool radius
...	
13 L X... Y... R... F... M97	Move to contour point 13
14 L IY-0.5 ... R... F...	Machine small contour step 13 to 14
15 L IX+100 ...	Move to contour point 15
16 L IY+0.5 ... R... F... M97	Machine small contour step 15 to 16
17 L X... Y...	Move to contour point 17



Machining open contour corners: M98

Standard behavior

The TNC calculates the intersections of the cutter paths at inside corners and moves the tool in the new direction at those points.

If the contour is open at the corners, however, this will result in incomplete machining.

Behavior with M98

With the miscellaneous function M98, the TNC temporarily suspends radius compensation to ensure that both corners are completely machined:

Effect

M98 is effective only in the blocks in which it is programmed.

M98 takes effect at the end of block.

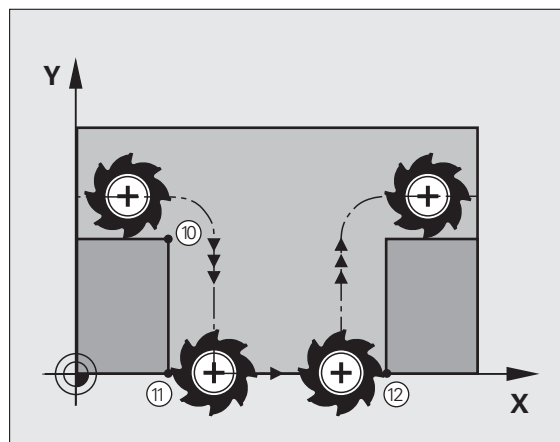
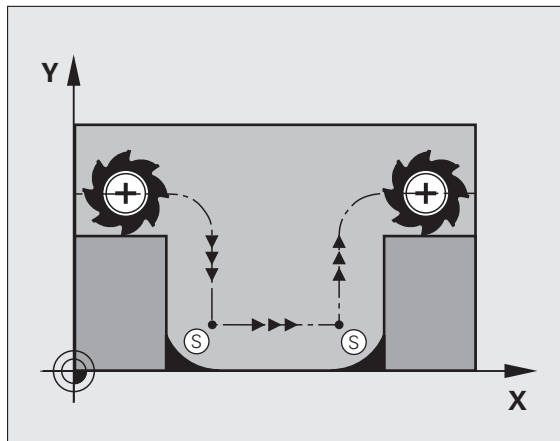
Example NC blocks

Move to the contour points 10, 11 and 12 in succession:

```
10 L X... Y... RL F
```

```
11 L X... IY... M98
```

```
12 L IX+ ...
```



Feed rate factor for plunging movements: M103

Standard behavior

The TNC moves the tool at the last programmed feed rate, regardless of the direction of traverse.

Behavior with M103

The TNC reduces the feed rate when the tool moves in the negative direction of the tool axis. The feed rate for plunging FZMAX is calculated from the last programmed feed rate FPROG and a factor F%:

$$FZMAX = FPROG \times F\%$$

Programming M103

If you enter M103 in a positioning block, the TNC continues the dialog by asking you the factor F.

Effect

M103 becomes effective at the start of block.
To cancel M103, program M103 once again without a factor.



M103 is also effective in an active tilted working plane. The feed rate reduction is then effective during traverse in the negative direction of the **tilted** tool axis.

Example NC blocks

The feed rate for plunging is to be 20 % of the feed rate in the plane.

...	Actual contouring feed rate (mm/min):
17 L X+20 Y+20 RL F500 M103 F20	500
18 L Y+50	500
19 L IZ-2.5	100
20 L IY+5 IZ-5	141
21 L IX+50	500
22 L Z+5	500



Feed rate in millimeters per spindle revolution: M136

Standard behavior

The TNC moves the tool at the programmed feed rate F in mm/min.

Behavior with M136



In inch-programs, M136 is not permitted in combination with the new alternate feed rate FU.

The spindle is not permitted to be controlled when M136 is active.

With M136, the TNC does not move the tool in mm/min, but rather at the programmed feed rate F in millimeters per spindle revolution. If you change the spindle speed by using the spindle override, the TNC changes the feed rate accordingly.

Effect

M136 becomes effective at the start of block.

You can cancel M136 by programming M137.



Feed rate for circular arcs: M109/M110/M111

Standard behavior

The TNC applies the programmed feed rate to the path of the tool center.

Behavior at circular arcs with M109

The TNC adjusts the feed rate for circular arcs at inside and outside contours so that the feed rate at the tool cutting edge remains constant.



Caution: Danger to the workpiece and tool!

On very small outside corners the TNC may increase the feed rate so much that the tool or workpiece can be damaged. Avoid **M109** with small outside corners.

Behavior at circular arcs with M110

The TNC keeps the feed rate constant for circular arcs at inside contours only. At outside contours, the feed rate is not adjusted.



If you define M109 or M110 before calling a machining cycle with a number greater than 200, the adjusted feed rate is also effective for circular arcs within these machining cycles. The initial state is restored after finishing or aborting a machining cycle.

Effect

M109 and M110 become effective at the start of block. To cancel M109 or M110, enter M111.



Calculating the radius-compensated path in advance (LOOK AHEAD): M120

Standard behavior

If the tool radius is larger than the contour step that is to be machined with radius compensation, the TNC interrupts program run and generates an error message. M97 (see "Machining small contour steps: M97" on page 331) inhibits the error message, but this results in dwell marks and will also move the corner.

If the programmed contour contains undercut features, the tool may damage the contour.

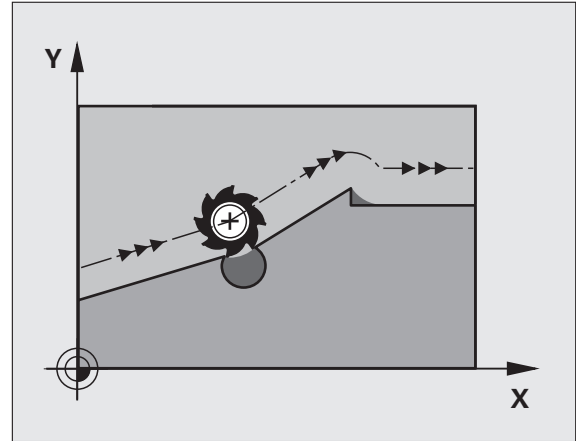
Behavior with M120

The TNC checks radius-compensated paths for contour undercuts and tool path intersections, and calculates the tool path in advance from the current block. Areas of the contour that might be damaged by the tool are not machined (dark areas in figure). You can also use M120 to calculate the radius compensation for digitized data or data created on an external programming system. This means that deviations from the theoretical tool radius can be compensated.

Use LA (Look Ahead) after M120 to define the number of blocks (maximum: 99) that you want the TNC to calculate in advance. Note that the larger the number of blocks you choose, the higher the block processing time will be.

Input

If you enter M120 in a positioning block, the TNC continues the dialog for this block by asking you the number of blocks LA that are to be calculated in advance.



Effect

M120 must be located in an NC block that also contains radius compensation **RL** or **RR**. M120 is then effective from this block until

- radius compensation is canceled with **R0**
- M120 LA0 is programmed, or
- M120 is programmed without LA, or
- another program is called with **PGM CALL**
- the working plane is tilted with Cycle **19** or the PLANE function

M120 becomes effective at the start of block.

Restrictions

- After an external or internal stop, you can only re-enter the contour with the function RESTORE POS. AT N. Before you start the block scan, you must cancel M120, otherwise the TNC will output an error message.
- When using the path functions **RND** and **CHF**, the blocks before and after **RND** or **CHF** must contain only coordinates in the working plane.
- If you want to approach the contour on a tangential path, you must use the function APPR LCT. The block with APPR LCT must contain only coordinates of the working plane.
- If you want to depart the contour on a tangential path, use the function DEP LCT. The block with DEP LCT must contain only coordinates of the working plane.
- Before using the functions listed below, you have to cancel M120 and the radius compensation:
 - Cycle **32** Tolerance
 - Cycle **19** Working plane
 - PLANE function
 - M114
 - M128
 - TCPM FUNCTION



Superimposing handwheel positioning during program run: M118

Standard behavior

In the program run modes, the TNC moves the tool as defined in the part program.

Behavior with M118

M118 permits manual corrections by handwheel during program run. Just program M118 and enter an axis-specific value (linear or rotary axis) in millimeters.

Input

If you enter M118 in a positioning block, the TNC continues the dialog for this block by asking you the axis-specific values. The coordinates are entered with the orange axis direction buttons or the ASCII keyboard.

Effect

Cancel handwheel positioning by programming M118 once again without coordinate input.

M118 becomes effective at the start of block.

Example NC blocks

You want to be able to use the handwheel during program run to move the tool in the working plane X/Y by ± 1 mm and in the rotary axis B by $\pm 5^\circ$ from the programmed value:

```
L X+0 Y+38.5 RL F125 M118 X1 Y1 B5
```



M118 is effective in a tilted coordinate system if you activate the tilted working plane function for the Manual Operation mode. If the tilted working plane function is not active for the Manual Operation mode, the original coordinate system is effective.

M118 also functions in the Positioning with MDI mode of operation!

If M118 is active, the MANUAL TRAVERSE function is not available after a program interruption!



Retraction from the contour in the tool-axis direction: M140

Standard behavior

In the program run modes, the TNC moves the tool as defined in the part program.

Behavior with M140

With M140 MB (move back) you can enter a path in the direction of the tool axis for departure from the contour.

Input

If you enter M140 in a positioning block, the TNC continues the dialog and asks for the desired path of tool departure from the contour. Enter the requested path that the tool should follow when departing the contour, or press the MB MAX soft key to move to the limit of the traverse range.

In addition, you can program the feed rate at which the tool traverses the entered path. If you do not enter a feed rate, the TNC moves the tool along the entered path at rapid traverse.

Effect

M140 is effective only in the block in which it is programmed.

M140 becomes effective at the start of block.

Example NC blocks

Block 250: Retract the tool 50 mm from the contour.

Block 251: Move the tool to the limit of the traverse range.

```
250 L X+0 Y+38.5 F125 M140 MB 50 F750
```

```
251 L X+0 Y+38.5 F125 M140 MB MAX
```



M140 is also effective if the tilted-working-plane function is active. On machines with tilting heads, the TNC then moves the tool in the tilted coordinate system.

With **M140 MB MAX** you can only retract in the positive direction.

Always define a TOOL CALL with a tool axis before entering **M140**, otherwise the direction of traverse is not defined.



Suppressing touch probe monitoring: M141

Standard behavior

When the stylus is deflected, the TNC outputs an error message as soon as you attempt to move a machine axis.

Behavior with M141

The TNC moves the machine axes even if the touch probe is deflected. This function is required if you wish to write your own measuring cycle in connection with measuring cycle 3 in order to retract the stylus by means of a positioning block after it has been deflected.



Danger of collision!

If you use M141, make sure that you retract the touch probe in the correct direction.

M141 functions only for movements with straight-line blocks.

Effect

M141 is effective only in the block in which it is programmed.

M141 becomes effective at the start of block.

Delete basic rotation: M143

Standard behavior

The basic rotation remains in effect until it is reset or is overwritten with a new value.

Behavior with M143

The TNC erases a programmed basic rotation from the NC program.



The function **M143** is not permitted during mid-program startup.

Effect

M143 is effective only in the block in which it is programmed.

M143 becomes effective at the start of the block.



Automatically retract tool from the contour at an NC stop: M148

Standard behavior

At an NC stop the TNC stops all traverse movements. The tool stops moving at the point of interruption.

Behavior with M148



The M148 function must be enabled by the machine tool builder. The machine tool builder defines in a machine parameter the path that the TNC is to traverse for a **LIFTOFF** command.

The TNC retracts the tool by up to 2 mm in the direction of the tool axis if, in the **LIFTOFF** column of the tool table, you set the parameter **Y** for the active tool (see "Tool table: Standard tool data" on page 150).

LIFTOFF takes effect in the following situations:

- An NC stop triggered by you
- An NC stop triggered by the software, e.g. if an error occurred in the drive system
- When a power interruption occurs



Danger of collision!

Remember that, especially on curved surfaces, the surface can be damaged during return to the contour. Retract the tool before returning to the contour!

In the **CfgLiftOff** machine parameter, define the value by which the tool is to be retracted. In the **CfgLiftOff** machine parameter you can also switch the function off.

Effect

M148 remains in effect until deactivated with M149.

M148 becomes effective at the start of block, M149 at the end of block.





10

**Programming:
Special Functions**



10.1 Overview of Special Functions

Press the SPEC FCT and the corresponding soft keys to access further special functions of the TNC. The following tables will give you an overview of which functions are available.

Main menu for SPEC FCT special functions

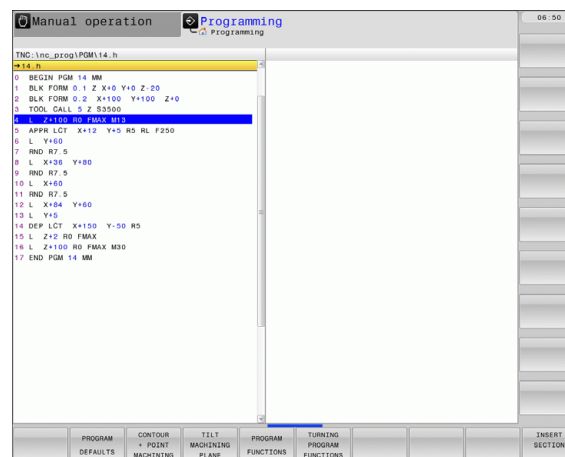


► Press the special functions key

Function	Soft key	Description
Define program defaults		Page 345
Functions for contour and point machining		Page 345
Define the PLANE function		Page 365
Define different conversational functions		Page 346
Define turning functions		Page 415
Define structure items		Page 127



After pressing the SPEC FCT key, you can open the **smartSelect** selection window with the GOTO key. The TNC displays a structure overview with all available functions. You can rapidly navigate with the cursor or mouse and select functions in the tree diagram. The TNC displays online help for the specific functions in the window on the right.



Program defaults menu

PROGRAM
DEFAULTS

► Select the program defaults menu

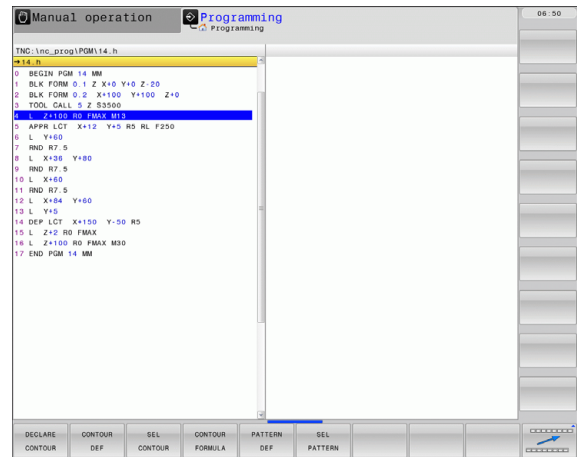
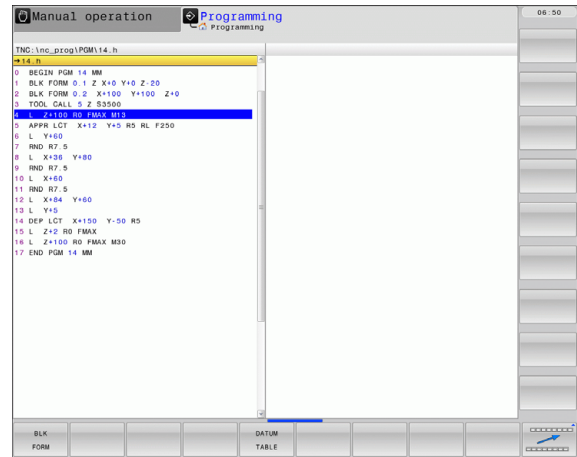
Function	Soft key	Description
Define the workpiece blank	BLK FORM	Page 85
Select datum table	DATUM TABLE	See User's Manual for Cycles

Functions for contour and point machining menu

CONTOUR
+ POINT
MACHINING

► Select the menu for functions for contour and point machining

Function	Soft key	Description
Assign contour description	DECLARE CONTOUR	See User's Manual for Cycles
Define a simple contour formula	CONTOUR DEF	See User's Manual for Cycles
Select a contour definition	SEL CONTOUR	See User's Manual for Cycles
Define a complex contour formula	CONTOUR FORMULA	See User's Manual for Cycles
Define regular machining pattern	PATTERN DEF	See User's Manual for Cycles
Select the point file with machining positions	SEL PATTERN	See User's Manual for Cycles

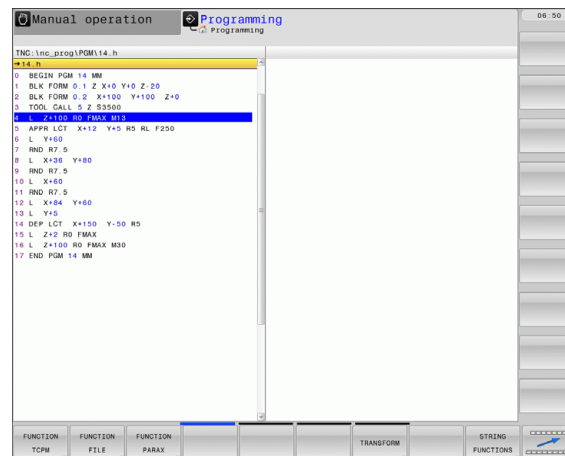


Menu of various conversational functions

PROGRAM
FUNCTIONS

► Select the menu for defining various conversational functions

Function	Soft key	Description
Define the positioning behavior for rotary axes	TCPM	Page 394
Define file functions	FUNCTION FILE	Page 353
Define the positioning behavior for parallel axes U, V, W	FUNCTION PARAX	Page 347
Define coordinate transformations	TRANSFORM	Page 354
Define string functions	STRING FUNCTIONS	Page 299
Add comments	INSERT COMMENT	Page 124



10.2 Working with the Parallel Axes U, V and W

Overview



Your machine must be configured by the machine manufacturer if you want to use parallel-axis functions.

The axes U, V and W are secondary axes parallel to the principal axes X, Y and Z, respectively. Principal axes and parallel axes are permanently assigned to each other.

Principal axis	Parallel axis	Rotary axis
X	U	A
Y	V	B
Z	W	C

The TNC provides the following functions for machining with the parallel axes U, V and W:

Function	Meaning	Soft key	Page
PARAXCOMP	Define the TNC's behavior when positioning parallel axes		Page 350
PARAXMODE	Define the axes the TNC is to use for machining		Page 351

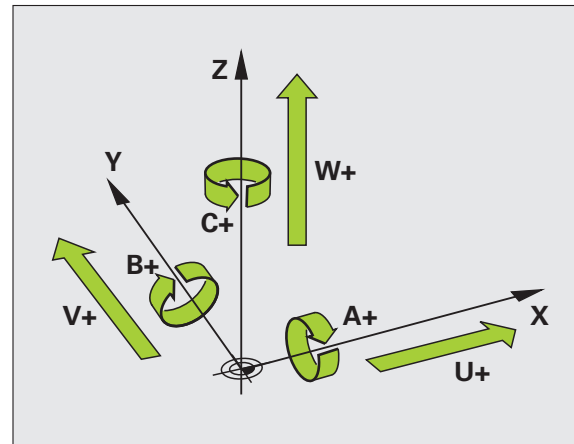


After the TNC is started up, the standard configuration is always effective.

Parallel-axis functions are reset by the following functions:

- Selection of a program
- End of program
- M2 or M30
- Program cancelation (**PARAXCOMP** remains active)
- **PARAXCOMP OFF** or **PARAXMODE OFF**

You must deactivate the parallel-axis functions before switching the machine kinematics.



FUNCTION PARAXCOMP DISPLAY

Use the **PARAXCOMP DISPLAY** function to activate the display function for parallel axis movements. The TNC considers the traverse movements of the parallel axis in the position display of the associated principal axis (sum display). Therefore, the position display of the principal axis always displays the relative distance from the tool to the workpiece, regardless of whether you move the principal axis or the minor axis.

Proceed as follows for the definition:



- ▶ Show the soft-key row with special functions



- ▶ Select the menu for defining various plain-language functions



- ▶ Select **FUNCTION PARAX**



- ▶ Select **FUNCTION PARAXCOMP**



- ▶ Select **FUNCTION PARAXCOMP DISPLAY**
- ▶ Define the parallel axis whose movements the TNC is to take into account in the position display of the associated principal axis

Example: NC block

```
13 FUNCTION PARAXCOMP DISPLAY W
```



FUNCTION PARAXCOMP MOVE



The **PARAXCOMP MOVE** function can be used only in connection with straight-line blocks (L).

The TNC uses the **PARAXCOMP MOVE** function to compensate for the movement of a parallel axis by performing a compensation movement in the associated principal axis.

For example, if a parallel axis moves in the negative W-axis direction, the principal axis Z simultaneously moves in the positive direction by the same value. The relative distance from the tool to the workpiece remains the same. Application in gantry-type milling machine: Retract the spindle sleeve to move the cross beam down simultaneously.

Proceed as follows for the definition:

SPEC
FCT

- ▶ Show the soft-key row with special functions

PROGRAM
FUNCTIONS

- ▶ Select the menu for defining various plain-language functions

FUNCTION
PARAX

- ▶ Select **FUNCTION PARAX**

FUNCTION
PARAXCOMP

- ▶ Select **FUNCTION PARAXCOMP**

FUNCTION
PARAXCOMP
MOVE

- ▶ Select **FUNCTION PARAXCOMP MOVE**
- ▶ Define the parallel axis

Example: NC block

13 FUNCTION PARAXCOMP MOVE W



FUNCTION PARAXCOMP OFF

Use the **PARAXCOMP OFF** function to switch off the parallel-axis functions **PARAXCOMP DISPLAY** and **PARAXCOMP MOVE**. Proceed as follows for the definition:

SPEC
FCT

- ▶ Show the soft-key row with special functions
- ▶ Select the menu for defining various plain-language functions
- ▶ Select **FUNCTION PARAX**
- ▶ Select **FUNCTION PARAXCOMP**
- ▶ Select **FUNCTION PARAXCOMP OFF**. If you want to switch off the parallel-axis functions only for individual parallel axes, then the respective axis must be specifically indicated.

PROGRAM
FUNCTIONS

FUNCTION
PARAX

FUNCTION
PARAXCOMP

FUNCTION
PARAXCOMP
OFF

Example: NC blocks

```
13 FUNCTION PARAXCOMP OFF
```

```
13 FUNCTION PARAXCOMP OFF W
```



FUNCTION PARAXMODE




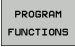
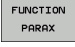
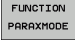
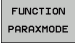
To activate the **PARAXMODE** function, you must always define three axes.

If you combine the **PARAXMODE** and **PARAXCOMP** functions, the TNC deactivates the **PARAXCOMP** function for an axis that was defined in both functions. When you deactivate **PARAXMODE**, the **PARAXCOMP** function becomes active again.

Use the **PARAXMODE** function to define the axes the TNC is to use for machining. You program all traverse movements and contour descriptions in the principal axes X, Y and Z, independent of your machine.

Define the three axes in the **PARAXMODE** function (e.g. **FUNCTION PARAXMODE X Y W**), which the TNC is to use to execute the programmed traverse movements.

Proceed as follows for the definition:

-  ▶ Show the soft-key row with special functions
-  ▶ Select the menu for defining various plain-language functions
-  ▶ Select **FUNCTION PARAX**
-  ▶ Select **FUNCTION PARAXMODE**
-  ▶ Select **FUNCTION PARAXMODE**
- ▶ Define the axes for machining

Move the principal axis and the parallel axis simultaneously

If the **PARAXMODE** function is active, the TNC uses the axes defined in the function to execute the programmed traverse movements. If the TNC is to traverse a parallel axis simultaneously with the associated principal axis, you can identify the respective axis by additionally entering the character "&". The axis with the & character then refers to the principal axis.



The syntax element "&" is only permitted in L blocks.

Additional positioning of a principal axis with the "&" command is done in the REF system. If you have set the position display to "actual value", this movement will not be shown. If necessary, switch the position display to "REF value".

Example: NC block

```
13 FUNCTION PARAXMODE X Y W
```

Example: NC block

```
13 FUNCTION PARAXMODE X Y W
```

```
14 L Z+100 &Z+150 R0 FMAX
```



FUNCTION PARAXMODE OFF

Use the **PARAXCOMP OFF** function to switch off the parallel-axis function. The TNC then uses the principal axes defined by the machine manufacturer. Proceed as follows for the definition:

A small rectangular button with the text "SPEC" on the top line and "FCT" on the bottom line.

- ▶ Show the soft-key row with special functions

A small rectangular button with the text "PROGRAM" on the top line and "FUNCTIONS" on the bottom line.

- ▶ Select the menu for defining various plain-language functions

A small rectangular button with the text "FUNCTION" on the top line and "PARAX" on the bottom line.

- ▶ Select **FUNCTION PARAX**

A small rectangular button with the text "FUNCTION" on the top line and "PARAXMODE" on the bottom line.

- ▶ Select **FUNCTION PARAXMODE**

A small rectangular button with the text "FUNCTION" on the top line, "PARAXMODE" on the second line, and "OFF" on the third line.

- ▶ Select **FUNCTION PARAXMODE OFF**

Example: NC block

```
13 FUNCTION PARAXCOMP OFF
```



10.3 File Functions

Application

The **FILE FUNCTION** features are used to copy, move and delete files from within the part program.



You must not use **FILE** functions on programs or files, to which you have previously made reference with functions such as **CALL PGM** or **CYCL DEF 12 PGM CALL**.

Defining file functions

SPEC
FCT



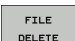
▶ Press the special functions key

PROGRAM
FUNCTIONS

▶ Select the program functions

FUNCTION
FILE

▶ Select the file functions: The TNC displays the available functions

Function	Meaning	Soft key
FILE COPY	Copy a file: Enter the name and path of the file to be copied, as well as the target path.	
FILE MOVE	Move a file: Enter the name and path of the file to be moved, as well as the target path.	
FILE DELETE	Delete a file: Enter the path and name of the file to be deleted.	




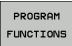


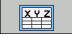
10.4 Defining Coordinate Transformations

Overview

As an alternative to the coordinate transformation Cycle 7 **DATUM SHIFT**, you can use the **TRANS DATUM** plain-language function. Just as in Cycle 7, you can use **TRANS DATUM** to directly program shift values or activate a line from a selectable datum table. In addition, there is also the **TRANS DATUM RESET** function, which you can easily use to reset a datum shift.

TRANS DATUM AXIS

You can define a datum shift by entering values in the respective axes with the **TRANS DATUM AXIS** function. You can define up to nine coordinates in one block, and incremental entries are possible. Proceed as follows for the definition:

- ▶  Show the soft-key row with special functions
- ▶  Select the menu for defining various plain-language functions
- ▶  Select transformations
- ▶  Select datum shifting with **TRANS DATUM**
- ▶  Select the value input soft key
- ▶ Enter the datum shift in the affected axes, confirming with the ENT key each time



Values entered as absolute values refer to the workpiece datum, which is specified either by datum setting or with a preset from the preset table.


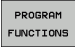




Incremental values always refer to the datum which was last valid (this may be a datum which has already been shifted).

Example: NC block

```
13 TRANS DATUM AXIS X+10 Y+25 Z+42
```

TRANS DATUM TABLE

You can define a datum shift by selecting a datum number from a datum table with the **TRANS DATUM TABLE** function. Proceed as follows for the definition:


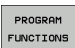

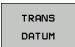


-  ▶ Show the soft-key row with special functions
-  ▶ Select the menu for defining various plain-language functions
-  ▶ Select transformations
-  ▶ Select datum shifting with **TRANS DATUM**
-  ▶ Press the arrow key to move to **TRANS AXIS**
-  ▶ Select datum shifting with **TRANS DATUM TABLE**
- ▶ If desired, enter the name of the datum table from which you want to activate the datum number, and confirm with the ENT key. If you do not want to define a datum table, confirm with the NO ENT key
- ▶ Enter the line number to be activated by the TNC, and confirm with the ENT key



If you did not define a datum table in the **TRANS DATUM TABLE** block, then the TNC uses the datum table already selected in the NC program with **SEL TABLE**, or the datum table with status M selected in one of the Program Run modes.

TRANS DATUM RESET

Use the **TRANS DATUM RESET** function to cancel a datum shift. How you previously defined the datum is irrelevant. Proceed as follows for the definition:

-  ▶ Show the soft-key row with special functions
-  ▶ Select the menu for defining various plain-language functions
-  ▶ Select transformations
-  ▶ Select datum shifting with **TRANS DATUM**
-  ▶ Press the arrow key to move to **TRANS AXIS**
-  ▶ Select the **TRANS DATUM RESET** datum shift

Example: NC block

```
13 TRANS DATUM TABLE TABLINE25
```

Example: NC block

```
13 TRANS DATUM RESET
```



10.5 Creating Text Files

Application

You can use the TNC's text editor to write and edit texts. Typical applications:


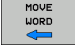



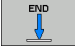
- Recording test results
- Documenting working procedures
- Creating formula collections

Text files are type .A files (ASCII files). If you want to edit other types of files, you must first convert them into type .A files.

Opening and exiting text files

- ▶ Select the Programming and Editing mode of operation
- ▶ Call the file manager: Press the PGM MGT key
- ▶ To display type .A files, press the SELECT TYPE and then the SHOW .A soft keys.
- ▶ Select a file and open it with the SELECT soft key or ENT key, or create a new file by entering the new file name and confirming your entry with the ENT key.

To leave the text editor, call the file manager and select a file of a different file type, for example a part program.

Cursor movements	Soft key
Move cursor one word to the right	
Move cursor one word to the left	
Go to next screen page	
Go to previous screen page	
Go to beginning of file	
Go to end of file	



Editing texts

Above the first line of the text editor, there is an information field showing the file name, location and line information:

File: Name of the text file
Line: Line in which the cursor is presently located
Column: Column in which the cursor is presently located

The text is inserted or overwritten at the location of the cursor. You can move the cursor to any desired position in the text file by pressing the arrow keys.




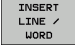
The line in which the cursor is presently located is depicted in a different color. You can insert a line break with the Return or ENT key.



Deleting and re-inserting characters, words and lines

With the text editor, you can erase words and even lines, and insert them at any desired location in the text.

- ▶ Move the cursor to the word or line that you wish to erase and insert at a different place in the text
- ▶ Press the DELETE WORD or DELETE LINE soft key. The text is placed in the buffer memory
- ▶ Move the cursor to the location where you wish to insert the text, and press the RESTORE LINE/WORD soft key

Function	Soft key
Delete and temporarily store a line	
Delete and temporarily store a word	
Delete and temporarily store a character	
Insert a line or word from temporary storage	



Editing text blocks

You can copy and erase text blocks of any size, and insert them at other locations. Before any of these actions, you must first select the desired text block:

- ▶ To select a text block, move the cursor to the first character of the text you wish to select

SELECT
BLOCK

- ▶ Press the SELECT BLOCK soft key
- ▶ Move the cursor to the last character of the text you wish to select. You can select whole lines by moving the cursor up or down directly with the arrow keys—the selected text is shown in a different color

After selecting the desired text block, you can edit the text with the following soft keys:

Function	Soft key
Delete the selected block and store temporarily	CUT OUT BLOCK
Store the selected block temporarily without erasing (copy)	INSERT BLOCK

If desired, you can now insert the temporarily stored block at a different location:

- ▶ Move the cursor to the location where you want to insert the temporarily stored text block

INSERT
BLOCK

- ▶ Press the INSERT BLOCK soft key for the text block to be inserted

You can insert the temporarily stored text block as often as desired

Transferring the selected block to a different file

- ▶ Select the text block as described previously

APPEND
TO FILE

- ▶ Press the APPEND TO FILE soft key. The TNC displays the dialog prompt **Destination file =**
- ▶ Enter the path and name of the destination file. The TNC appends the selected text to the specified file. If no target file with the specified name is found, the TNC creates a new file with the selected text.

Inserting another file at the cursor position

- ▶ Move the cursor to the location in the text where you wish to insert another file

READ
FILE

- ▶ Press the READ FILE soft key. The TNC displays the dialog prompt **File name =**
- ▶ Enter the path and name of the file you want to insert



Finding text sections

With the text editor, you can search for words or character strings in a text. Two functions are available:

Finding the current text

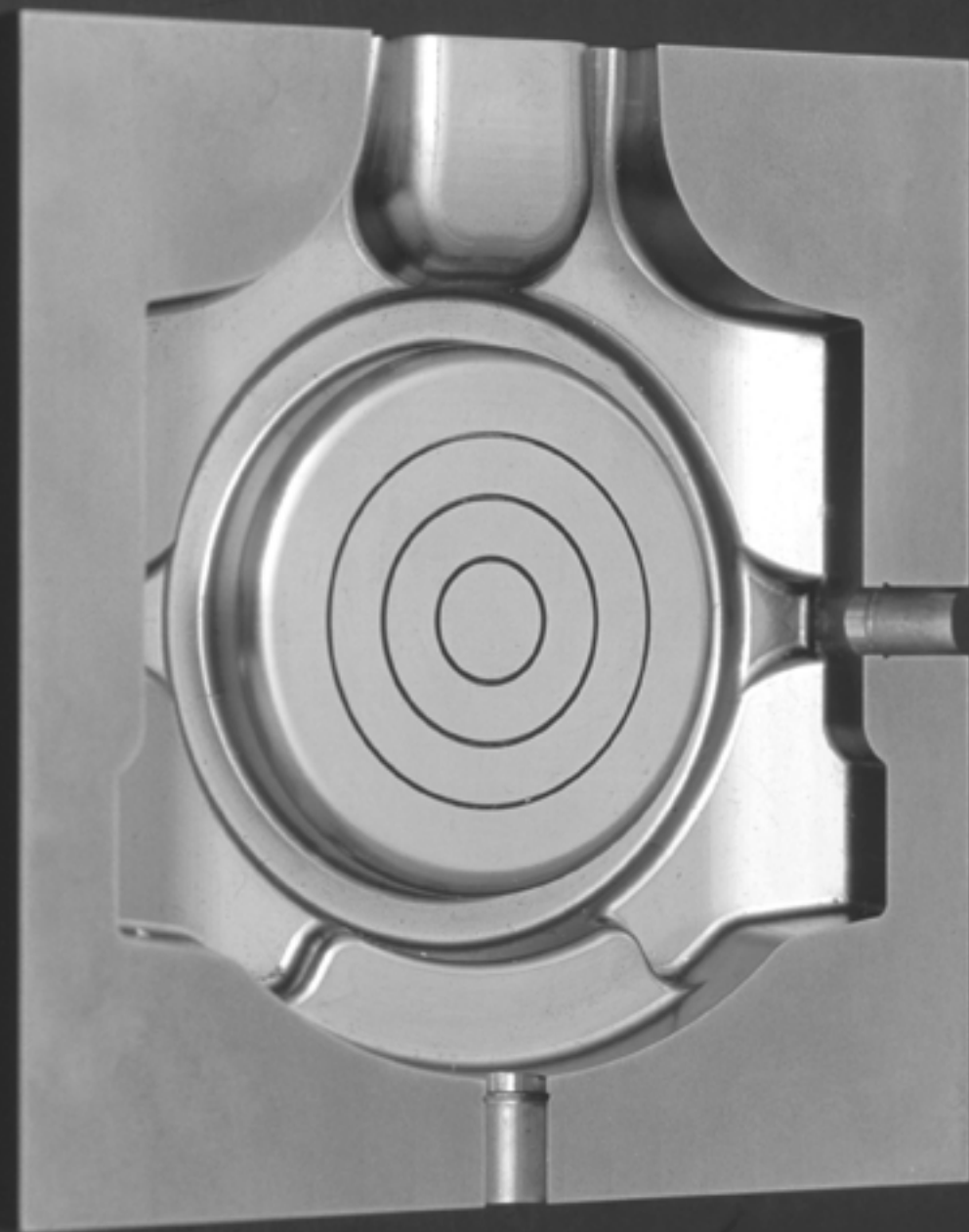
The search function is used for finding the next occurrence of the word in which the cursor is presently located:

- ▶ Move the cursor to the desired word.
- ▶ To select the search function, press the FIND soft key
- ▶ Press the FIND CURRENT WORD soft key
- ▶ To leave the search function, press the END soft key

Finding any text

- ▶ To select the search function, press the FIND soft key. The TNC displays the dialog prompt **Find text:**
- ▶ Enter the text that you wish to find
- ▶ To find the text, press the EXECUTE soft key
- ▶ To leave the search function, press the END soft key





11

**Programming:
Multiple Axis Machining**



11.1 Functions for Multiple Axis Machining

The TNC functions for multiple axis machining are described in this chapter.

TNC function	Description	Page
PLANE	Define machining in the tilted working plane	Page 363
M116	Feed rate of rotary axes	Page 387
PLANE/M128	Inclined-tool machining	Page 385
FUNCTION TCPM	Define the behavior of the TNC when positioning the rotary axes (improvement of M128)	Page 394
M126	Shortest-path traverse of rotary axes	Page 388
M94	Reduce display value of rotary axes	Page 389
M128	Define the behavior of the TNC when positioning the rotary axes	Page 390
M138	Selection of tilted axes	Page 392
M144	Calculate machine kinematics	Page 393
LN blocks	Three-dimensional tool compensation	Page 399



11.2 The PLANE Function: Tilting the Working Plane (Software Option 1)

Introduction

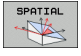
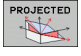
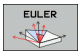


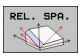
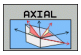



The machine manufacturer must enable the functions for tilting the working plane!

You can only use the **PLANE** function in its entirety on machines which have at least two rotary axes (head and/or table). Exception: **PLANE AXIAL** can also be used if only a single rotary axis is present or active on your machine.

The **PLANE** function is a powerful function for defining tilted working planes in various manners.

All **PLANE** functions available on the TNC describe the desired working plane independently of the rotary axes actually present on your machine. The following possibilities are available:

Function	Required parameters	Soft key	Page
SPATIAL	Three spatial angles: SPA , SPB , and SPC		Page 367
PROJECTED	Two projection angles: PROPR and PROMIN and a rotation angle ROT		Page 369
EULER	Three Euler angles: precession (EULPR), nutation (EULNU) and rotation (EULROT)		Page 371
VECTOR	Normal vector for defining the plane and base vector for defining the direction of the tilted X axis		Page 373
POINTS	Coordinates of any three points in the plane to be tilted		Page 375
RELATIVE	Single, incrementally effective spatial angle		Page 377
AXIAL	Up to three absolute or incremental axis angles A , B , C		Page 378
RESET	Resetting the PLANE function		Page 366





The parameter definition of the **PLANE** function is separated into two parts:

- The geometric definition of the plane, which is different for each of the available **PLANE** functions.
- The positioning behavior of the **PLANE** function, which is independent of the plane definition and is identical for all **PLANE** functions (see "Specifying the positioning behavior of the PLANE function" on page 380).



The actual-position-capture function is not possible with an active tilted working plane.

If you use the **PLANE** function when **M120** is active, the TNC automatically rescinds the radius compensation, which also rescinds the **M120** function.

Always use **PLANE RESET** to reset **PLANE** functions. Entering 0 in all **PLANE** parameters does not completely reset the function.

If you restrict the number of tilting axes with the **M138** function, your machine may provide only limited tilting possibilities.



Define the PLANE function

SPEC
FCT

- ▶ Show the soft-key row with special functions

TILT
MACHINING
PLANE

- ▶ Select the **PLANE** function: Press the TILT MACHINING PLANE soft key: The TNC displays the available definition possibilities in the soft-key row

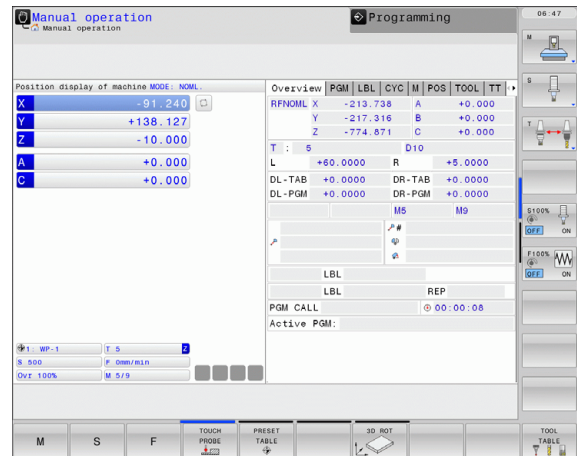
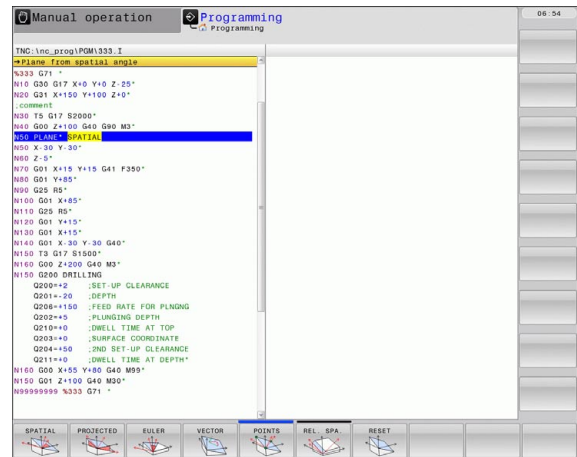
Selecting functions

- ▶ Select the desired function by soft key. The TNC continues the dialog and requests the required parameters

Position display

As soon as a **PLANE** function is active, the TNC shows the calculated spatial angle in the additional status display (see figure). As a rule, the TNC internally always calculates with spatial angles, regardless of which **PLANE** function is active.

During tilting (**MOVE** or **TURN** mode) in the Distance-To-Go mode (**DIST**), the TNC shows (in the rotary axis) the distance to go (or calculated distance) to the final position of the rotary axis.



Reset the PLANE function



- ▶ Show the soft-key row with special functions



- ▶ Select special TNC functions: Press the SPECIAL TNC FUNCT. soft key



- ▶ Select the PLANE function: Press the TILT MACHINING PLANE soft key: The TNC displays the available definition possibilities in the soft-key row



- ▶ Select the Reset function. This internally resets the **PLANE** function, but does not change the current axis positions



- ▶ Specify whether the TNC should automatically move the rotary axes to the default setting (**MOVE** or **TURN**) or not (**STAY**) (see "Automatic positioning: MOVE/TURN/STAY (entry is mandatory)" on page 380).



- ▶ Terminate the entry: Press the END key



The **PLANE RESET** function resets the current **PLANE** function—or an active cycle **19**—completely (angles = 0 and function is inactive). It does not need to be defined more than once.

Example: NC block

```
25 PLANE RESET MOVE SET-UP50 F1000
```



Defining the machining plane with spatial angles: PLANE SPATIAL

Application

Spatial angles define a working plane through up to three **rotations around the fixed machine coordinate system**. The sequence of rotations is firmly specified: first around the A axis, then B, and then C (the function corresponds to Cycle 19, if the entries in Cycle 19 are set to spatial angles).

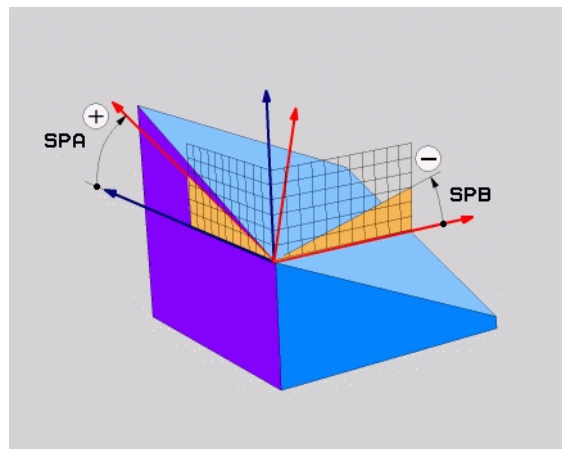


Before programming, note the following

You must always define the three spatial angles **SPA**, **SPB**, and **SPC**, even if one of them = 0.

The sequence of the rotations described above is independent of the active tool axis.

Parameter description for the positioning behavior: See "Specifying the positioning behavior of the PLANE function" on page 380.



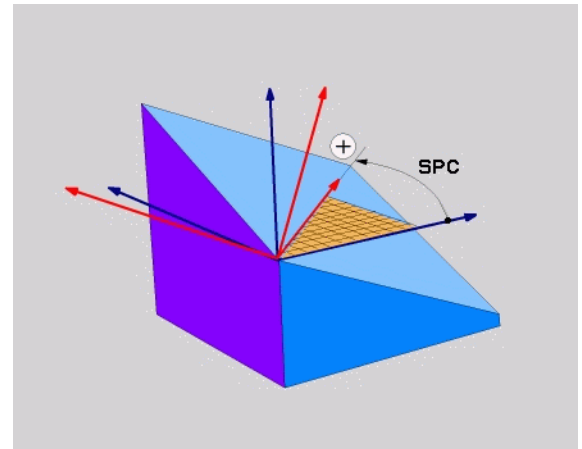
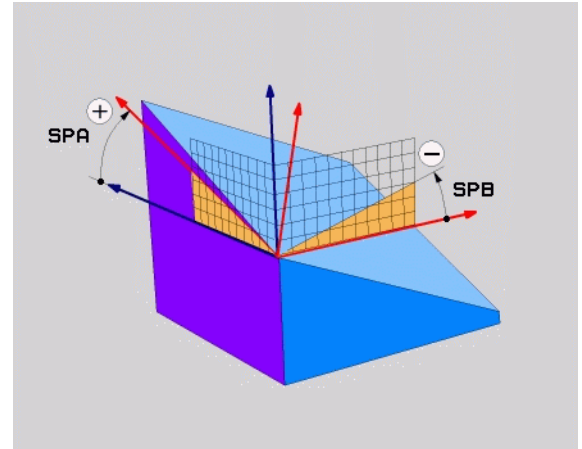
Input parameters



- ▶ **Spatial angle A?**: Rotational angle **SPA** around the fixed machine axis X (see figure at top right). Input range from -359.9999° to $+359.9999^\circ$
- ▶ **Spatial angle B?**: Rotational angle **SPB** around the fixed machine axis Y (see figure at top right). Input range from -359.9999° to $+359.9999^\circ$
- ▶ **Spatial angle C?**: Rotational angle **SPC** around the fixed machine axis Z (see figure at center right). Input range from -359.9999° to $+359.9999^\circ$
- ▶ Continue with the positioning properties (see "Specifying the positioning behavior of the PLANE function" on page 380)

Abbreviations used

Abbreviation	Meaning
SPATIAL	In space
SPA	Spatial A : Rotation about the X axis
SPB	Spatial B : Rotation about the Y axis
SPC	Spatial C : Rotation about the Z axis



Example: NC block

```
5 PLANE SPATIAL SPA+27 SPB+0 SPC+45 .....
```



Defining the machining plane with projection angles: PROJECTED PLANE

Application

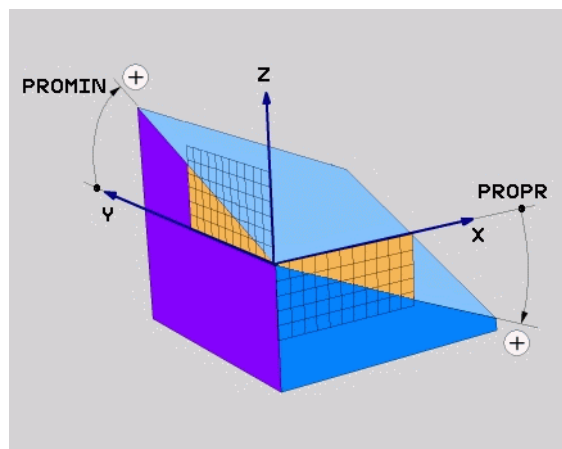
Projection angles define a machining plane through the entry of two angles that you determine by projecting the first coordinate plane (Z/X plane with tool axis Z) and the second coordinate plane (Y/Z with tool axis Z) onto the machining plane to be defined.



Before programming, note the following

You can only use projection angles if the angle definitions are given with respect to a rectangular cuboid. Otherwise there will be deformations on the workpiece.

Parameter description for the positioning behavior: See "Specifying the positioning behavior of the PLANE function" on page 380.



Input parameters



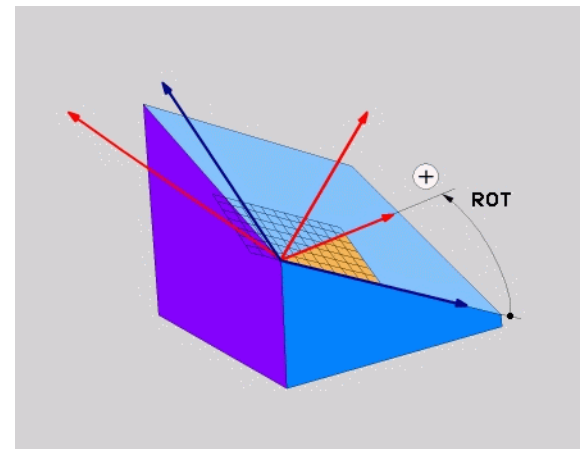
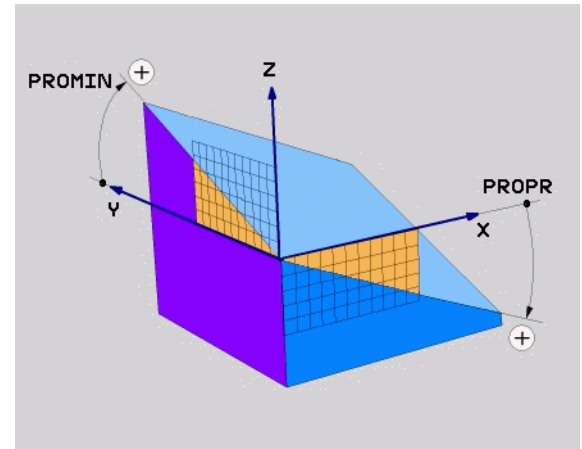
- ▶ **Proj. angle 1st coordinate plane?:** Projected angle of the tilted machining plane in the 1st coordinate plane of the fixed machine coordinate system (Z/X for tool axis Z, see figure at top right). Input range: from -89.9999° to $+89.9999^\circ$. The 0° axis is the principal axis of the active working plane (X for tool axis Z. See figure at top right for positive direction)
- ▶ **Proj. angle 2nd coordinate plane?:** Projected angle in the 2nd coordinate plane of the fixed machine coordinate system (Y/Z for tool axis Z, see figure at top right). Input range: from -89.9999° to $+89.9999^\circ$. The 0° axis is the minor axis of the active machining plane (Y for tool axis Z)
- ▶ **ROT angle of the tilted plane?:** Rotation of the tilted coordinate system around the tilted tool axis (corresponds to a rotation with Cycle 10 ROTATION). The rotation angle is used to simply specify the direction of the principal axis of the working plane (X for tool axis Z, Z for tool axis Y; see figure at bottom right). Input range: -360° to $+360^\circ$
- ▶ Continue with the positioning properties (see "Specifying the positioning behavior of the PLANE function" on page 380)

NC block

```
5 PLANE PROJECTED PROPR+24 PROMIN+24 PROROT+30 .....
```

Abbreviations used

Abbreviation	Meaning
PROJECTED	Projected
PROPR	Principal plane
PROMIN	Minor plane
PROROT	Rotation



Defining the machining plane with Euler angles: EULER PLANE

Application

Euler angles define a machining plane through up to three **rotations about the respectively tilted coordinate system**. The Swiss mathematician Leonhard Euler defined these angles. When applied to the machine coordinate system, they have the following meanings:

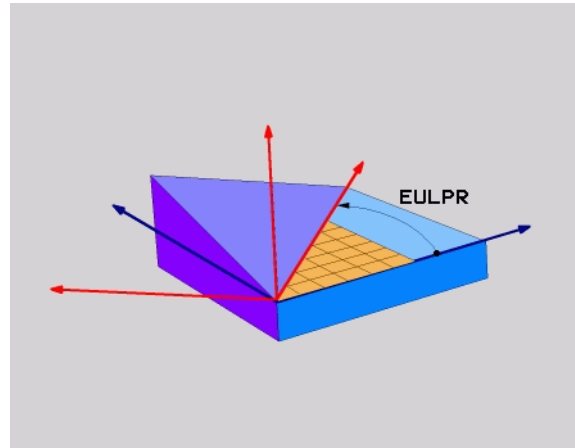
Precession angle EULPR	Rotation of the coordinate system around the Z axis
Nutation angle EULNU	Rotation of the coordinate system around the X axis already shifted by the precession angle
Rotation angle EULROT	Rotation of the tilted machining plane around the tilted Z axis



Before programming, note the following

The sequence of the rotations described above is independent of the active tool axis.

Parameter description for the positioning behavior: See "Specifying the positioning behavior of the PLANE function" on page 380.



Input parameters



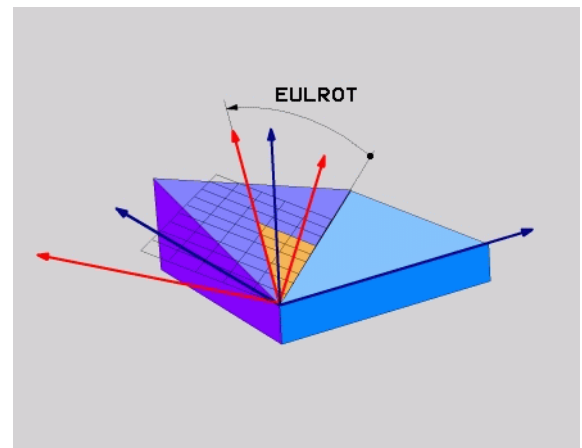
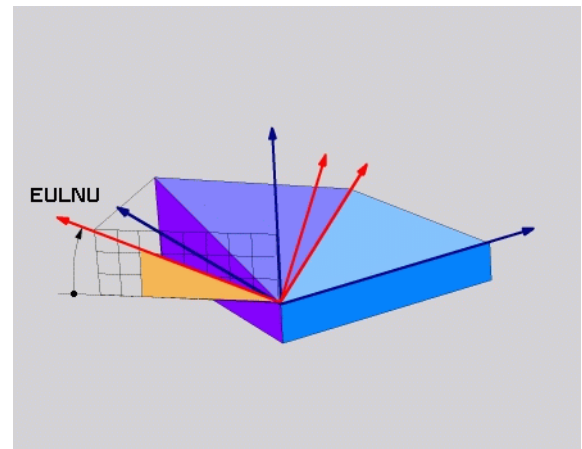
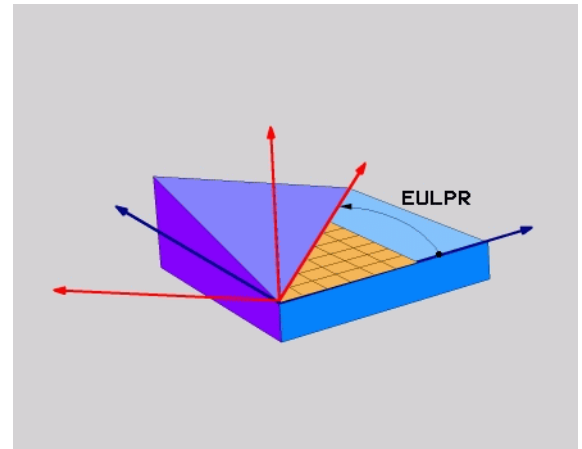
- ▶ **Rot. angle main coordinate plane?:** Rotary angle **EULPR** around the Z axis (see figure at top right). Please note:
 - Input range: -180.0000° to $+180.0000^\circ$
 - The 0° axis is the X axis
- ▶ **Swivel angle of tool axis?:** Tilting angle **EULNU** of the coordinate system around the X axis shifted by the precession angle (see figure at center right). Please note:
 - Input range: 0° to $+180.0000^\circ$
 - The 0° axis is the Z axis
- ▶ **ROT angle of the tilted plane?:** Rotation **EULROT** of the tilted coordinate system around the tilted Z axis (corresponds to a rotation with Cycle 10 ROTATION). Use the rotation angle to simply define the direction of the X axis in the tilted machining plane (see figure at bottom right). Please note:
 - Input range: 0° to 360.0000°
 - The 0° axis is the X axis
- ▶ Continue with the positioning properties (see "Specifying the positioning behavior of the PLANE function" on page 380)

NC block

```
5 PLANE EULER EULPR45 EULNU20 EULROT22 .....
```

Abbreviations used

Abbreviation	Meaning
EULER	Swiss mathematician who defined these angles
EULPR	Precession angle: angle describing the rotation of the coordinate system around the Z axis
EULNU	Nutation angle: angle describing the rotation of the coordinate system around the X axis shifted by the precession angle
EULROT	Rotation angle: angle describing the rotation of the tilted machining plane around the tilted Z axis



Defining the working plane with two vectors: VECTOR PLANE

Application

You can use the definition of a working plane via **two vectors** if your CAD system can calculate the base vector and normal vector of the tilted machining plane. A normalized input is not necessary. The TNC calculates the normal, so you can enter values between -9.999999 and $+9.999999$.

The base vector required for the definition of the machining plane is defined by the components **BX**, **BY** and **BZ** (see figure at right). The normal vector is defined by the components **NX**, **NY** and **NZ**.

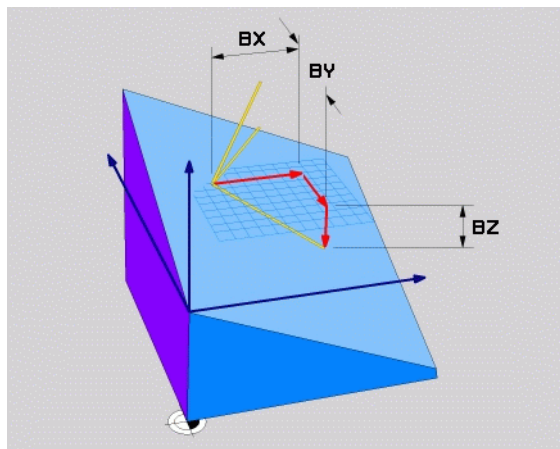


Before programming, note the following

The base vector defines the direction of the principal axis in the tilted machining plane, and the normal vector determines the orientation of the tilted machining plane, and at the same time is perpendicular to it.

The TNC calculates standardized vectors from the values you enter.

Parameter description for the positioning behavior: See "Specifying the positioning behavior of the PLANE function" on page 380.



Input parameters



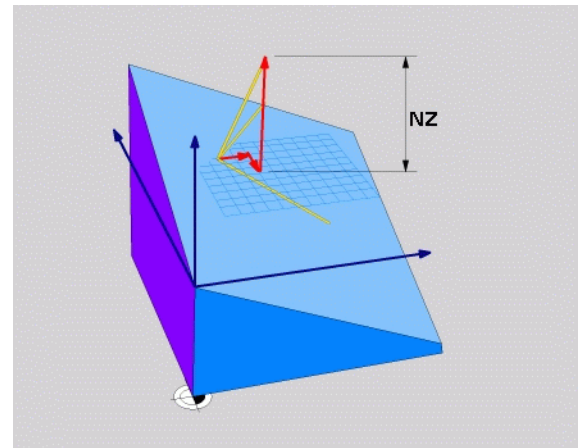
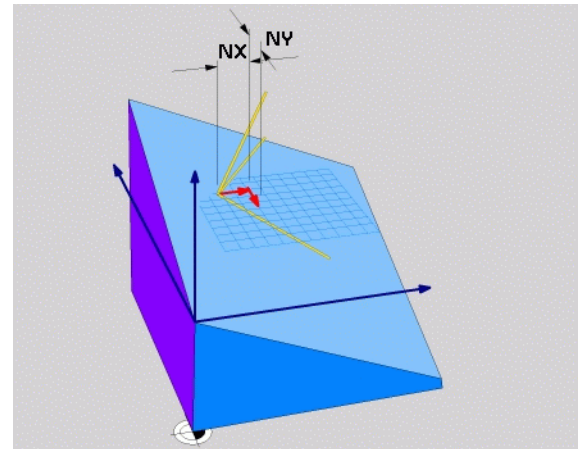
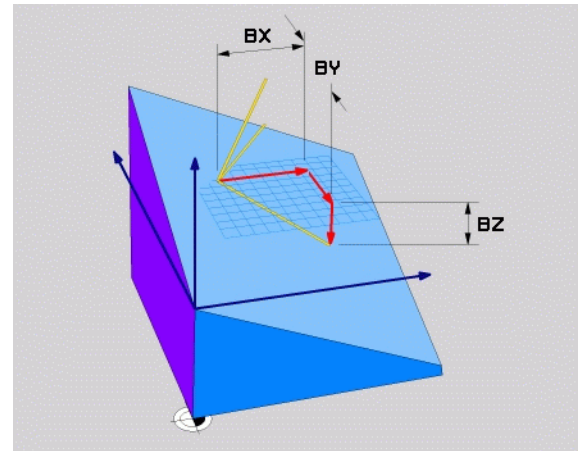
- ▶ **X component of base vector?:** X component **BX** of the base vector B (see figure at top right). Input range: -9.9999999 to +9.9999999
- ▶ **Y component of base vector?:** Y component **BY** of the base vector B (see figure at top right). Input range: -9.9999999 to +9.9999999
- ▶ **Z component of base vector?:** Z component **BZ** of the base vector B (see figure at top right). Input range: -9.9999999 to +9.9999999
- ▶ **X component of normal vector?:** X component **NX** of the normal vector N (see figure at center right). Input range: -9.9999999 to +9.9999999
- ▶ **Y component of normal vector?:** Y component **NY** of the normal vector N (see figure at center right). Input range: -9.9999999 to +9.9999999
- ▶ **Z component of normal vector?:** Z component **NZ** of the normal vector N (see figure at lower right). Input range: -9.9999999 to +9.9999999
- ▶ Continue with the positioning properties (see "Specifying the positioning behavior of the PLANE function" on page 380)

NC block

```
5 PLANE VECTOR BX0.8 BY-0.4 BZ-0.42 NX0.2 NY0.2 NZ0.92 ..
```

Abbreviations used

Abbreviation	Meaning
VECTOR	Vector
BX, BY, BZ	Base vector: X , Y and Z components
NX, NY, NZ	Normal vector: X , Y and Z components



Defining the working plane via three points: PLANE POINTS

Application

A machining plane can be uniquely defined by entering **any three points P1 to P3 in this plane**. This possibility is realized in the **PLANE POINTS** function.



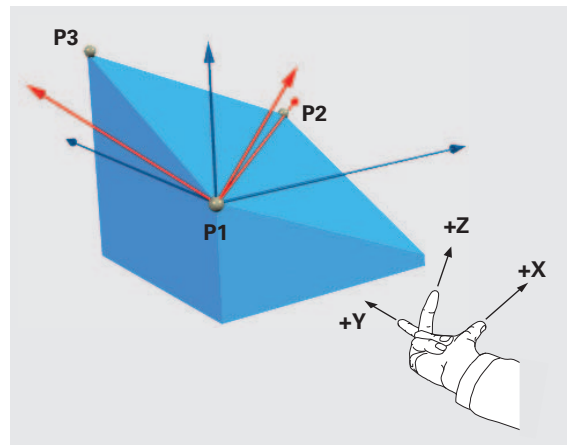
Before programming, note the following

The connection from Point 1 to Point 2 determines the direction of the tilted main axis (X for tool axis Z).

The direction of the tilted tool axis is determined by the position of Point 3 relative to the connecting line between Point 1 and Point 2. Use the right-hand rule (thumb = X axis, index finger = Y axis, middle finger = Z axis (see figure at right)) to remember: thumb (X axis) points from Point 1 to Point 2, index finger (Y axis) points parallel to the tilted Y axis in the direction of Point 3. Then the middle finger points in the direction of the tilted tool axis.

The three points define the slope of the plane. The position of the active datum is not changed by the TNC.

Parameter description for the positioning behavior: See "Specifying the positioning behavior of the PLANE function" on page 380.



Input parameters



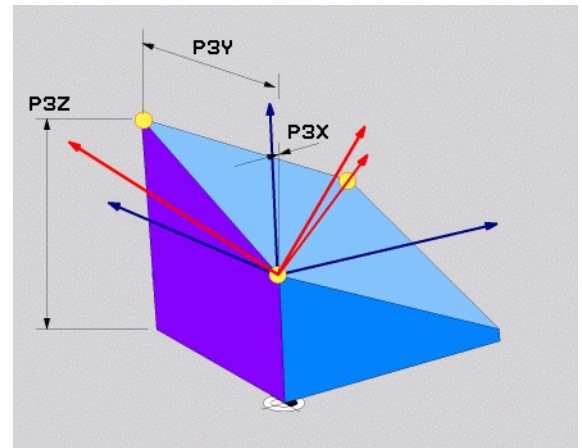
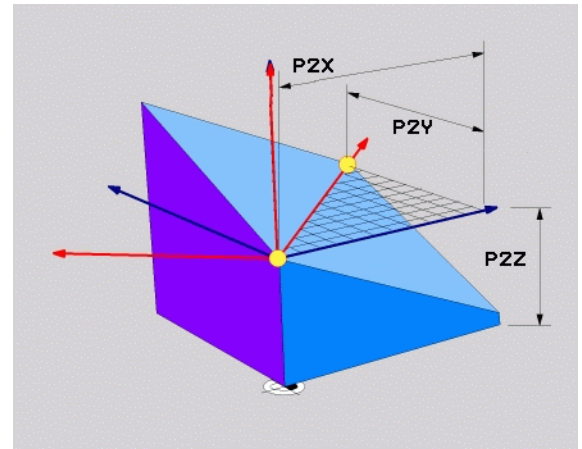
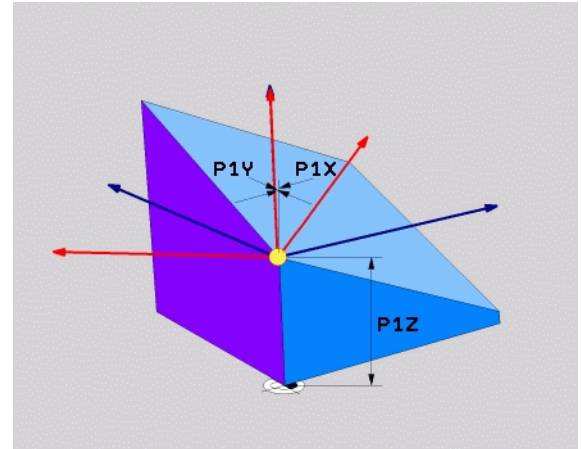
- ▶ **X coordinate of 1st plane point?:** X coordinate **P1X** of the 1st plane point (see figure at top right)
- ▶ **Y coordinate of 1st plane point?:** Y coordinate **P1Y** of the 1st plane point (see figure at top right)
- ▶ **Z coordinate of 1st plane point?:** Z coordinate **P1Z** of the 1st plane point (see figure at top right)
- ▶ **X coordinate of 2nd plane point?:** X coordinate **P2X** of the 2nd plane point (see figure at center right)
- ▶ **Y coordinate of 2nd plane point?:** Y coordinate **P2Y** of the 2nd plane point (see figure at center right)
- ▶ **Z coordinate of 2nd plane point?:** Z coordinate **P2Z** of the 2nd plane point (see figure at center right)
- ▶ **X coordinate of 3rd plane point?:** X coordinate **P3X** of the 3rd plane point (see figure at bottom right)
- ▶ **Y coordinate of 3rd plane point?:** Y coordinate **P3Y** of the 3rd plane point (see figure at bottom right)
- ▶ **Z coordinate of 3rd plane point?:** Z coordinate **P3Z** of the 3rd plane point (see figure at bottom right)
- ▶ Continue with the positioning properties (see "Specifying the positioning behavior of the PLANE function" on page 380)

NC block

```
5 PLANE POINTS P1X+0 P1Y+0 P1Z+20 P2X+30 P2Y+31 P2Z+20
P3X+0 P3Y+41 P3Z+32.5 .....
```

Abbreviations used

Abbreviation	Meaning
POINTS	Points



Defining the machining plane with a single, incremental spatial angle: PLANE RELATIVE

Application

Use an incremental spatial angle when an already active tilted working plane is to be tilted by **another rotation**. Example: machining a 45° chamfer on a tilted plane.



Before programming, note the following

The defined angle is always in effect in respect to the active working plane, regardless of the function you have used to activate it.

You can program any number of **PLANE RELATIVE** functions in a row.

If you want to return to the working plane that was active before the **PLANE RELATIVE** function, define the **PLANE RELATIVE** function again with the same angle but with the opposite algebraic sign.

If you use the **PLANE RELATIVE** function in a non-tilted working plane, then you simply rotate the non-tilted plane about the spatial angle defined in the **PLANE** function.

Parameter description for the positioning behavior: See "Specifying the positioning behavior of the PLANE function" on page 380.

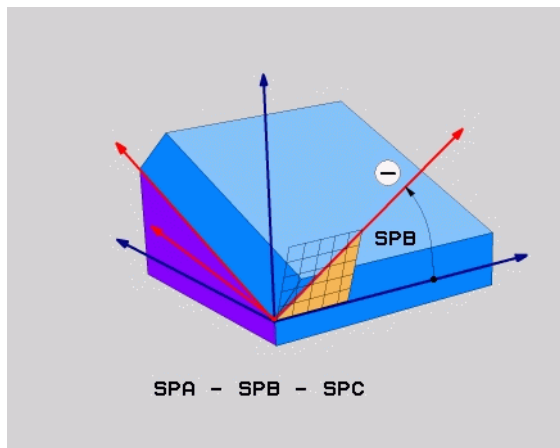
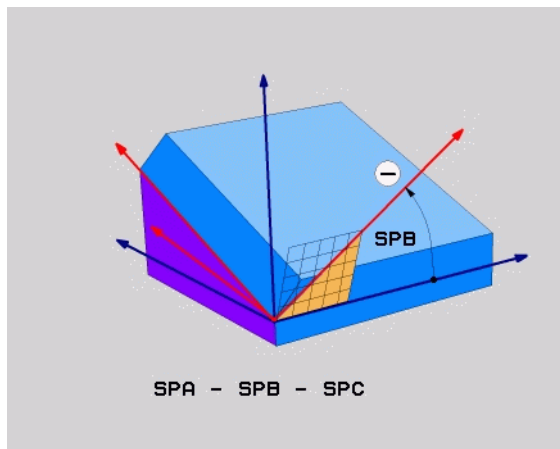
Input parameters



- ▶ **Incremental angle?**: Spatial angle about which the active machining plane is to be rotated additionally (see figure at right). Use a soft key to select the axis to be rotated about. Input range: -359.9999° to $+359.9999^\circ$
- ▶ Continue with the positioning properties (see "Specifying the positioning behavior of the PLANE function" on page 380)

Abbreviations used

Abbreviation	Meaning
RELATIVE	Relative to



Example: NC block

```
5 PLANE RELATIVE SPB-45 .....
```



Tilting the working plane through axis angle: **PLANE AXIAL** (FCL 3 function)

Application

The **PLANE AXIAL** function defines both the position of the working plane and the nominal coordinates of the rotary axes. This function is particularly easy to use on machines with Cartesian coordinates and with kinematics structures in which only one rotary axis is active.



PLANE AXIAL can also be used if you have only one rotary axis active on your machine.

You can use the **PLANE RELATIVE** function after **PLANE AXIAL** if your machine allows spatial angle definitions. The machine tool manual provides further information.



Before programming, note the following

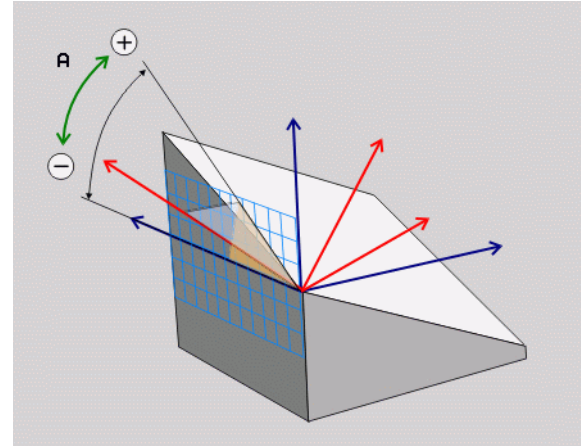
Enter only axis angles that actually exist on your machine. Otherwise the TNC generates an error message.

Rotary axis coordinates defined with **PLANE AXIAL** are modally effective. Successive definitions therefore build on each other. Incremental input is allowed.

Use **PLANE RESET** to reset the **PLANE AXIAL** function. Resetting by entering 0 does not deactivate **PLANE AXIAL**.

SEQ, **TABLE ROT** and **COORD ROT** have no function in conjunction with **PLANE AXIAL**.

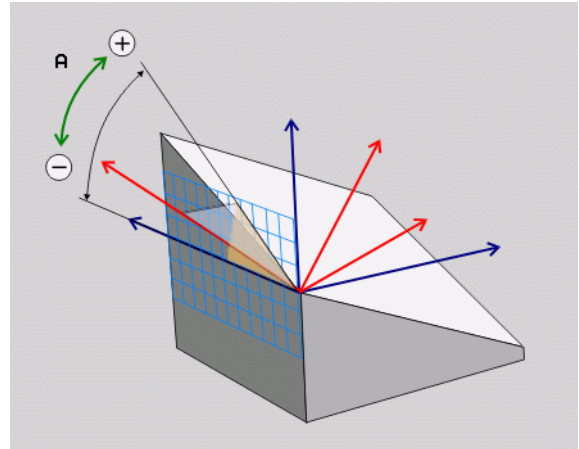
Parameter description for the positioning behavior: See "Specifying the positioning behavior of the PLANE function" on page 380.



Input parameters



- ▶ **Axis angle A?**: Axis angle **to which** the A axis is to be tilted. If entered incrementally, it is the angle **by which** the A axis is to be tilted from its current position. Input range: -99999.9999° to $+99999.9999^\circ$
- ▶ **Axis angle B?**: Axis angle **to which** the B axis is to be tilted. If entered incrementally, it is the angle **by which** the B axis is to be tilted from its current position. Input range: -99999.9999° to $+99999.9999^\circ$
- ▶ **Axis angle C?**: Axis angle **to which** the C axis is to be tilted. If entered incrementally, it is the angle **by which** the C axis is to be tilted from its current position. Input range: -99999.9999° to $+99999.9999^\circ$
- ▶ Continue with the positioning properties (see "Specifying the positioning behavior of the PLANE function" on page 380)



Abbreviations used

Abbreviation	Meaning
AXIAL	In the axial direction

Example: NC block

```
5 PLANE AXIAL B-45 .....
```



Specifying the positioning behavior of the PLANE function

Overview

Independently of which PLANE function you use to define the tilted machining plane, the following functions are always available for the positioning behavior:

- Automatic positioning
- Selection of alternate tilting possibilities (not with **PLANE AXIAL**)
- Selection of the type of transformation (not with **PLANE AXIAL**)

Automatic positioning: MOVE/TURN/STAY (entry is mandatory)

After you have entered all parameters for the plane definition, you must specify how the rotary axes will be positioned to the calculated axis values:

- | | |
|--|---|
| <div style="border: 1px solid gray; background-color: #f0f0f0; padding: 2px; width: 40px; text-align: center; margin-bottom: 10px;">MOVE</div> | <p>▶ The PLANE function is to automatically position the rotary axes to the calculated position values. The position of the tool relative to the workpiece is to remain the same. The TNC carries out a compensation movement in the linear axes.</p> |
| <div style="border: 1px solid gray; background-color: #f0f0f0; padding: 2px; width: 40px; text-align: center; margin-bottom: 10px;">TURN</div> | <p>▶ The PLANE function is to automatically position the rotary axes to the calculated position values, but only the rotary axes are positioned. The TNC does not carry out a compensation movement in the linear axes</p> |
| <div style="border: 1px solid gray; background-color: #f0f0f0; padding: 2px; width: 40px; text-align: center; margin-bottom: 10px;">STAY</div> | <p>▶ You will position the rotary axes later in a separate positioning block</p> |

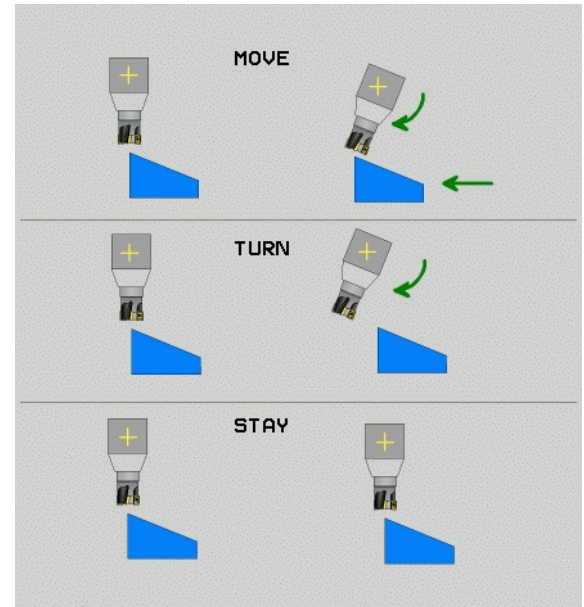
If you have selected the **MOVE** option (**PLANE** function is to position the axes automatically), the following two parameters must still be defined: **Dist. tool tip – center of rot.** and **Feed rate? F=**.

If you have selected the **TURN** option (**PLANE** function is to position the axes automatically without any compensating movement), the following parameter must still be defined: **Feed rate? F=**.

As an alternative to defining a feed rate **F** directly by numerical value, you can also position with **FMAX** (rapid traverse) or **FAUTO** (feed rate from the **TOOL CALLT** block).



If you use **PLANE AXIAL** together with **STAY**, you have to position the rotary axes in a separated block after the **PLANE** function.



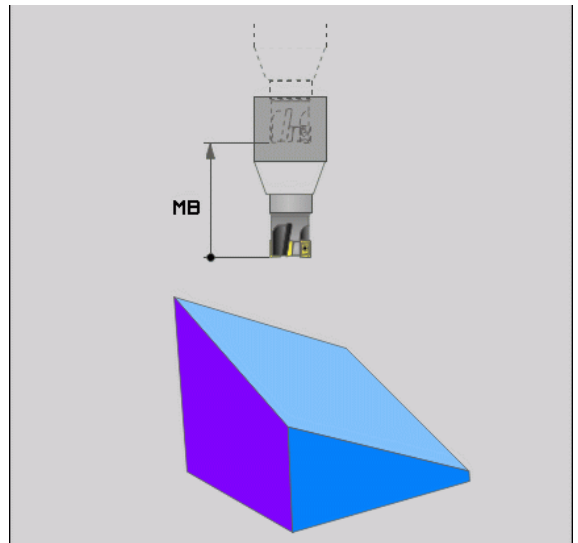
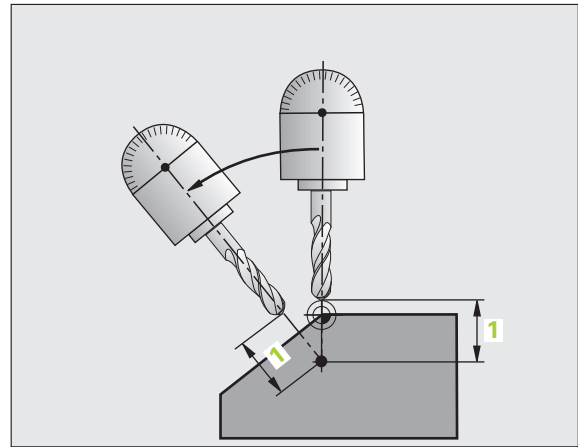
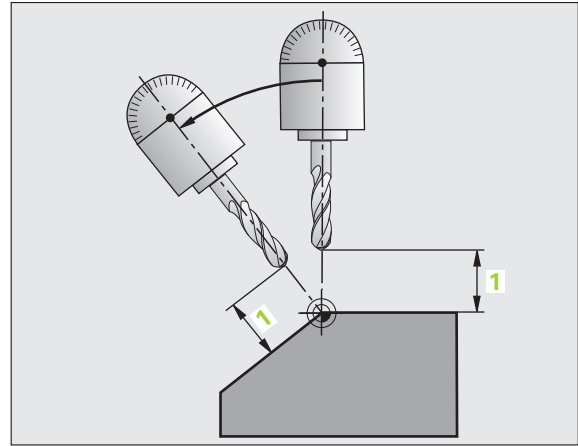
- ▶ **Dist. tool tip – center of rot.** (incremental): The TNC tilts the tool (or table) relative to the tool tip. The **DIST** parameter shifts the center of rotation of the positioning movement relative to the current position of the tool tip.



Note:

- If the tool is already at the given distance to the workpiece before positioning, then relatively speaking the tool is at the same position after positioning (see figure at center right, **1** = DIST)
- If the tool is not at the given distance to the workpiece before positioning, then relatively speaking the tool is offset from the original position after positioning (see figure at bottom right, **1**= DIST)

- ▶ **Feed rate? F=:** Contour speed at which the tool should be positioned
- ▶ **Retraction length in the tool axis?:** Retraction path **MB** is effective incrementally from the current tool position in the active tool axis direction that the TNC approaches **before tilting**. **MB MAX** positions the tool just before the software limit switch.



Positioning the rotary axes in a separate block

Proceed as follows if you want to position the rotary axes in a separate positioning block (option **STAY** selected):



Danger of collision!

Pre-position the tool to a position where there is no danger of collision with the workpiece (clamping devices) during positioning.

- ▶ Select any **PLANE** function, and define automatic positioning with the **STAY** option. During program execution the TNC calculates the position values of the rotary axes present on the machine, and stores them in the system parameters Q120 (A axis), Q121 (B axis) and Q122 (C axis)
- ▶ Define the positioning block with the angular values calculated by the TNC

NC example blocks: Position a machine with a rotary table C and a tilting table A to a spatial angle of B+45°.

...	
12 L Z+250 R0 FMAX	Position at clearance height
13 PLANE SPATIAL SPA+0 SPB+45 SPC+0 STAY	Define and activate the PLANE function
14 L A+Q120 C+Q122 F2000	Position the rotary axis with the values calculated by the TNC
...	Define machining in the tilted working plane



Selection of alternate tilting possibilities: SEQ +/- (entry optional)

The position you define for the working plane is used by the TNC to calculate the appropriate positioning of the rotary axes present on the machine. In general there are always two solution possibilities.

Use the **SEQ** switch to specify which possibility the TNC should use:

- **SEQ+** positions the master axis so that it assumes a positive angle. The master axis is the 1st rotary axis from the tool, or the last rotary axis from the table (depending on the machine configuration (see figure at top right)).
- **SEQ-** positions the master axis so that it assumes a negative angle.

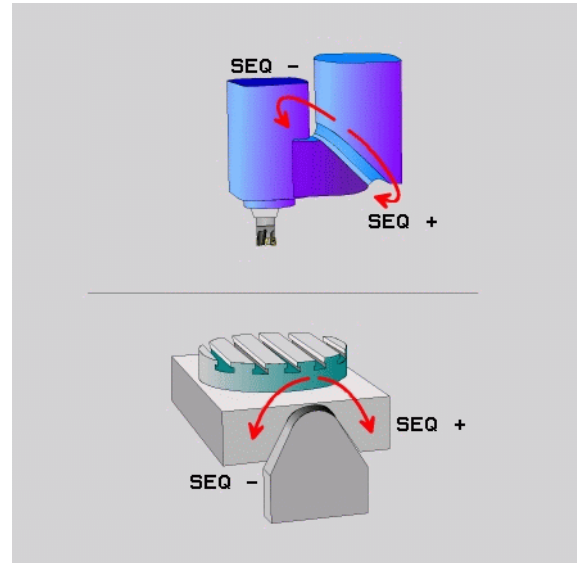
If the solution you chose with **SEQ** is not within the machine's range of traverse, the TNC displays the **Entered angle not permitted** error message.



When the **PLANE AXIS** function is used, the **SEQ** switch is nonfunctional.

If you do not define **SEQ**, the TNC determines the solution as follows:

- 1 The TNC first checks whether both solution possibilities are within the traverse range of the rotary axes.
- 2 If they are, then the TNC selects the shortest possible solution.
- 3 If only one solution is within the traverse range, the TNC selects this solution.
- 4 If neither solution is within the traverse range, the TNC displays the **Entered angle not permitted** error message.



Example for a machine with a rotary table C and a tilting table A.
 Programmed function: **PLANE SPATIAL SPA+0 SPB+45 SPC+0**

Limit switch	Starting position	SEQ	Resulting axis position
None	A+0, C+0	not prog.	A+45, C+90
None	A+0, C+0	+	A+45, C+90
None	A+0, C+0	-	A-45, C-90
None	A+0, C-105	not prog.	A-45, C-90
None	A+0, C-105	+	A+45, C+90
None	A+0, C-105	-	A-45, C-90
-90 < A < +10	A+0, C+0	not prog.	A-45, C-90
-90 < A < +10	A+0, C+0	+	Error message
None	A+0, C-135	+	A+45, C+90

Selecting the type of transformation (entry optional)

On machines with C-rotary tables, a function is available for specifying the type of transformation:



- ▶ **COORD ROT** specifies that the PLANE function should only rotate the coordinate system to the defined tilting angle. The rotary table is not moved; the compensation is purely mathematical.

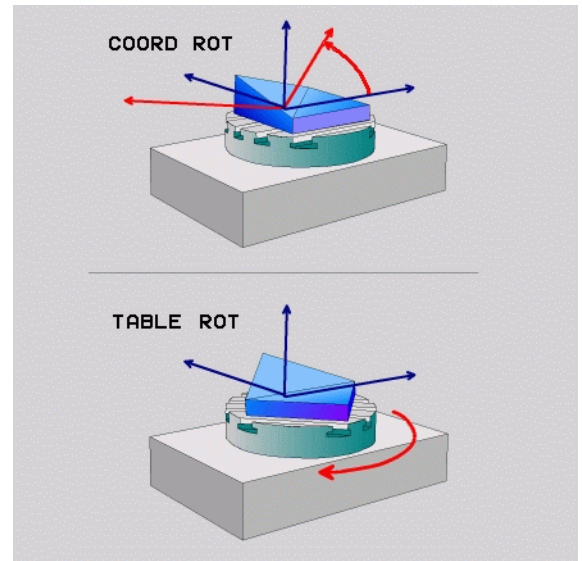


- ▶ **TABLE ROT** specifies that the PLANE function should position the rotary table to the defined tilting angle. Compensation results from rotating the workpiece.



When the **PLANE AXIAL** function is used, **COORD ROT** and **TABLE ROT** are nonfunctional.

If you use the **TABLE ROT** function in conjunction with a basic rotation and a tilting angle of 0, then the TNC tilts the table to the angle defined in the basic rotation.




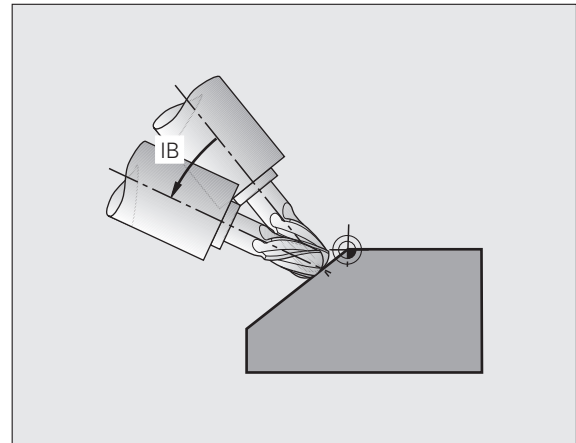
11.3 Inclined-Tool Machining in a Tilted Plane (Software Option 2)

Function

In combination with **M128** and the new **PLANE** functions, **inclined-tool machining** in a tilted machining plane is now possible. Two possibilities are available for definition:

- Inclined-tool machining via incremental traverse of a rotary axis
- Inclined-tool machining via normal vectors

 Inclined-tool machining in a tilted machining plane only functions with spherical cutters.



Inclined-tool machining via incremental traverse of a rotary axis

- ▶ Retract the tool
- ▶ Activate M128
- ▶ Define any PLANE function; consider the positioning behavior
- ▶ Via a straight-line block, traverse to the desired incline angle in the appropriate axis incrementally

Example NC blocks:

...	
12 L Z+50 R0 FMAX M128	Position at clearance height, activate M128
13 PLANE SPATIAL SPA+0 SPB-45 SPC+0 MOVE SET-UP50 F1000	Define and activate the PLANE function
14 L IB-17 F1000	Set the incline angle
...	Define machining in the tilted working plane



Inclined-tool machining via normal vectors



Only one directional vector can be defined in the **LN** block. This vector defines the incline angle (normal vector **NX**, **NY**, **NZ**, or tool direction vector **TX**, **TY**, **TZ**).

- ▶ Retract the tool
- ▶ Activate M128
- ▶ Define any PLANE function; consider the positioning behavior
- ▶ Execute program with LN block in which the tool direction is defined by a vector

Example NC blocks:

...	
12 L Z+50 R0 FMAX M128	Position at clearance height, activate M128
13 PLANE SPATIAL SPA+0 SPB+45 SPC+0 MOVE SET-UP50 F1000	Define and activate the PLANE function
14 LN X+31.737 Y+21.954 Z+33.165 NX+0.3 NY+0 NZ+0.9539 F1000 M3	Set the incline angle with the normal vector
...	Define machining in the tilted working plane



11.4 Miscellaneous Functions for Rotary Axes

Feed rate in mm/min on rotary axes A, B, C: M116 (software option 1)

Standard behavior

The TNC interprets the programmed feed rate of a rotary axis in degrees/min (in mm programs and also in inch programs). The feed rate therefore depends on the distance from the tool center to the center of axis rotation.

The larger this distance becomes, the greater the contouring feed rate.

Feed rate in mm/min on rotary axes with M116



The machine geometry must be specified by the machine tool builder in the description of kinematics.

M116 works only on rotary tables. M116 cannot be used with swivel heads. If your machine is equipped with a table/head combination, the TNC ignores the swivel-head rotary axes.

M116 is also effective in an active tilted working plane.

The TNC interprets the programmed feed rate of a rotary axis in degrees/min (or 1/10 inch/min). In this case, the TNC calculates the feed for the block at the start of each block. With a rotary axis, the feed rate is not changed during execution of the block even if the tool moves toward the center of the rotary axis.

Effect

M116 is effective in the working plane. To reset M116, enter M117. M116 is also canceled at the end of the program.

M116 becomes effective at the start of block.



Shorter-path traverse of rotary axes: M126

Standard behavior

The standard behavior of the TNC while positioning rotary axes whose display has been reduced to values less than 360° is dependent on machine parameter **shortestDistance** (300401). This machine parameter defines whether the TNC should consider the difference between nominal and actual position, or whether it should always (even without M126) choose the shortest path to the programmed position. Examples:

Actual position	Nominal position	Traverse
350°	10°	-340°
10°	340°	$+330^\circ$

Behavior with M126

With M126, the TNC will move the axis on the shorter path of traverse for rotary axes whose display is reduced to values less than 360° . Examples:

Actual position	Nominal position	Traverse
350°	10°	$+20^\circ$
10°	340°	-30°

Effect

M126 becomes effective at the start of block.

To cancel M126, enter M127. At the end of program, M126 is automatically canceled.



Reducing display of a rotary axis to a value less than 360°: M94

Standard behavior

The TNC moves the tool from the current angular value to the programmed angular value.

Example:

Current angular value:	538°
Programmed angular value:	180°
Actual distance of traverse:	-358°

Behavior with M94

At the start of block, the TNC first reduces the current angular value to a value less than 360° and then moves the tool to the programmed value. If several rotary axes are active, M94 will reduce the display of all rotary axes. As an alternative you can enter a rotary axis after M94. The TNC then reduces the display only of this axis.

Example NC blocks

To reduce display of all active rotary axes:

```
L M94
```

To reduce display of the C axis only:

```
L M94 C
```

To reduce display of all active rotary axes and then move the tool in the C axis to the programmed value:

```
L C+180 FMAX M94
```

Effect

M94 is effective only in the block in which it is programmed.

M94 becomes effective at the start of block.



Maintaining the position of the tool tip when positioning with tilted axes (TCPM): M128 (software option 2)

Standard behavior

The TNC moves the tool to the positions given in the part program. If the position of a tilted axis changes in the program, the resulting offset in the linear axes must be calculated, and traversed in a positioning block.

Behavior with M128 (TCPM: Tool Center Point Management)



The machine geometry must be specified by the machine tool builder in the description of kinematics.

If the position of a controlled tilted axis changes in the program, the position of the tool tip to the workpiece remains the same.



Caution: Danger to the workpiece!

For tilted axes with Hirth coupling: Do not change the position of the tilted axis until after retracting the tool. Otherwise you might damage the contour when disengaging from the coupling.

After **M128** you can program another feed rate, at which the TNC will carry out the compensation movements in the linear axes.



Before positioning with **M91** or **M92** and before a **TOOL CALL**, reset **M128**.

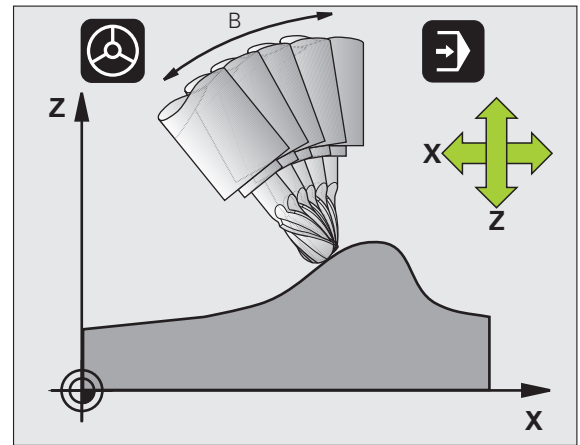
The tool length must refer to the spherical center of the tool tip.

If **M128** is active, the TNC shows the symbol **TCPM** in the status display.

M128 on tilting tables

If you program a tilting table movement while **M128** is active, the TNC rotates the coordinate system accordingly. If, for example, you rotate the C axis by 90° (through a positioning command or datum shift) and then program a movement in the X axis, the TNC executes the movement in the machine axis Y.

The TNC also transforms the defined datum, which has been shifted by the movement of the rotary table.



M128 with 3-D tool compensation

If you carry out a 3-D tool compensation with active **M128** and active radius compensation **RL/RR**, the TNC will automatically position the rotary axes for certain machine geometrical configurations (Peripheral milling, see "Three-Dimensional Tool Compensation (Software Option 2)", page 399).

Effect

M128 becomes effective at the start of block, **M129** at the end of block. **M128** is also effective in the manual operating modes and remains active even after a change of mode. The feed rate for the compensation movement will be effective until you program a new feed rate or until you cancel **M128** with **M129**.

Enter **M129** to cancel **M128**. The TNC also cancels **M128** if you select a new program in a program run operating mode.

Example NC blocks

Feed rate of 1000 mm/min for compensation movements:

```
L X+0 Y+38.5 IB-15 RL F125 M128 F1000
```

Inclined machining with noncontrolled rotary axes

If you have noncontrolled rotary axes (counting axes) on your machine, then in combination with M128 you can also perform inclined machining operations with these axes.

Proceed as follows:

- 1 Manually traverse the rotary axes to the desired positions. M128 must not be active!
- 2 Activate M128: The TNC reads the actual values of all rotary axes present, calculates from this the new position of the tool center point, and updates the position display
- 3 The TNC performs the necessary compensating movement in the next positioning block
- 4 Carry out the machining operation
- 5 At the end of program, reset M128 with M129, and return the rotary axes to the initial positions



As long as M128 is active, the TNC monitors the actual positions of the noncontrolled rotary axes. If the actual position deviates from the nominal position by a value greater than that defined by the machine manufacturer, the TNC outputs an error message and interrupts program run.



Selecting tilting axes: M138

Standard behavior

The TNC performs M128 and TCPM, and tilts the working plane, only in those axes for which the machine tool builder has set the appropriate machine parameters.

Behavior with M138

The TNC performs the above functions only in those tilting axes that you have defined using M138.



If you restrict the number of tilting axes with the **M138** function, your machine may provide only limited tilting possibilities.

Effect

M138 becomes effective at the start of block.

You can reset M138 by reprogramming it without entering any axes.

Example NC blocks

Perform the above-mentioned functions only in the tilting axis C:

```
L Z+100 R0 FMAX M138 C
```



Compensating the machine's kinematics configuration for ACTUAL/NOMINAL positions at end of block: M144 (software option 2)

Standard behavior

The TNC moves the tool to the positions given in the part program. If the position of a tilted axis changes in the program, the resulting offset in the linear axes must be calculated, and traversed in a positioning block.

Behavior with M144

The TNC calculates into the position value any changes in the machine's kinematics configuration which result, for example, from adding a spindle attachment. If the position of a controlled tilted axis changes, the position of the tool tip to the workpiece is also changed. The resulting offset is calculated in the position display.



Positioning blocks with M91/M92 are permitted if M144 is active.

The position display in the operating modes FULL SEQUENCE and SINGLE BLOCK does not change until the tilting axes have reached their final position.

Effect

M144 becomes effective at the start of the block. M144 does not function in connection with M128 or a tilted working plane.

You can cancel M144 by programming M145.



The machine geometry must be specified by the machine tool builder in the description of kinematics.

The machine tool builder determines the behavior in the automatic and manual operating modes. Refer to your machine manual.



11.5 TCPM FUNCTION (Software Option 2)

Function



The machine manufacturer must enter the machine geometry.



For tilted axes with Hirth coupling:

Only change the position of the tilted axis after retracting the tool. Otherwise you might damage the contour when disengaging from the coupling.



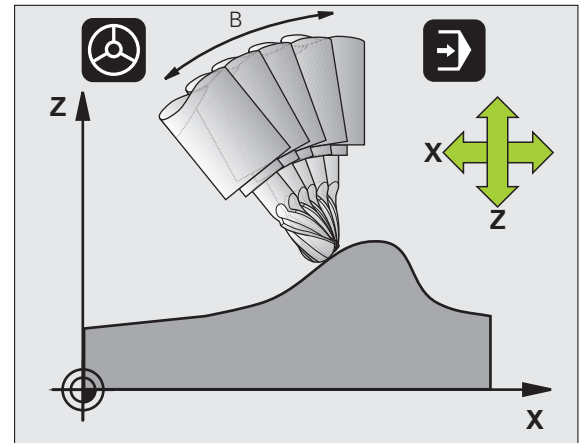
Before positioning with **M91** or **M92** and before a **TOOL CALL**:
Reset **TCPM FUNCTION**.

The tool length must refer to the spherical center of the tool tip.

If **TCPM FUNCTION** is active, the TNC shows the symbol **TCPM** in the position display.

TCPM FUNCTION is an improvement on the **M128** function, with which you can define the behavior of the TNC when positioning the rotary axes. In contrast to **M128**, with **TCPM FUNCTION** you can define the mode of action of various functions:

- Mode of action of the programmed feed rate: **F TCP / F CONT**
- Interpretation of the rotary axis coordinates programmed in the NC program: **AXIS POS / AXIS SPAT**
- Type of interpolation between start and target position: **PATHCTRL AXIS / PATHCTRL VECTOR**



Defining the TCPM FUNCTION

SPEC
FCT

▶ Press the special functions key

PROGRAM
FUNCTIONS

▶ Press the Programming Aids soft key

FUNCTION
TCPM

▶ Select TCPM FUNCTION

Mode of action of the programmed feed rate

The TNC provides two functions for defining the mode of action of the programmed feed rate:

F
TCP

▶ **F TCP** determines that the programmed feed rate is interpreted as the actual relative velocity between the tool point (Tool Center Point) and the workpiece.

F
CONTOUR

▶ **F CONT** determines that the programmed feed rate is interpreted as the contouring feed rate of the axis programmed in the respective NC block.

Example NC blocks:

...	
13 FUNCTION TCPM F TCP ...	Feed rate refers to the tool tip
14 FUNCTION TCPM F CONT ...	Feed rate is interpreted as the speed of the tool along the contour
...	



Interpretation of the programmed rotary axis coordinates

Up to now, machines with 45° swivel heads or 45° tilting tables could not easily set the angle of inclination or a tool orientation with respect to the currently active coordinate system (spatial angle). This function could only be realized through specially written programs with normal vectors (LN blocks).

The TNC now provides the following function:



- ▶ **AXIS POS** determines that the TNC interprets the programmed coordinates of rotary axes as the nominal position of the respective axis.



- ▶ **AXIS SPAT** determines that the TNC interprets the programmed coordinates of rotary axes as the spatial angle.



AXIS POS should be used primarily if your machine is equipped with Cartesian rotary axes. You can also use **AXIS POS** with 45°-swivel heads/ tilting tables if it is ensured that the programmed rotary axis coordinates define the desired orientation of the working plane correctly (this can be accomplished with a CAM system, for example).

AXIS SPAT: The rotary axis coordinates entered in the positioning block are spatial angles that are given with respect to the currently active (perhaps tilted) coordinate system (incremental spatial angle).

After you switch on **FUNCTION TCPM** with **AXIS SPAT**, in the first positioning block you should always program all three spatial angles in the inclination angle definition. This also applies if one or more spatial angles are 0°.

Example NC blocks:

...	
13 FUNCTION TCPM F TCP AXIS POS ...	Rotary axis coordinates are axis angles
...	
18 FUNCTION TCPM F TCP AXIS SPAT ...	Rotary axis coordinates are spatial angles
20 L A+0 B+45 C+0 F MAX	Set tool orientation to B+45 degrees (spatial angle). Define spatial angles A and C with 0
...	



Type of interpolation between the starting and end position

The TNC provides two functions for defining the type of interpolation between the starting and end position:

PATH
CONTROL
AXIS

▶ **PATHCTRL AXIS** determines that the tool point between the starting and end position of the respective NC block moves on a straight line (**Face Milling**). The direction of the tool axis at the starting and end positions corresponds to the respective programmed values, but the tool circumference does not describe a defined path between the starting and end positions. The surface produced by milling with the tool circumference (**Peripheral Milling**) depends on the machine geometry.

PATH
CONTROL
VECTOR

▶ **PATHCTRL VECTOR** determines that the tool tip between the starting and end position of the respective NC block moves on a straight line and also that the direction of the tool axis between starting and end position is interpolated so that a plane results from machining at the tool circumference (**Peripheral Milling**).



With PATHCTRL VECTOR, remember:

Any defined tool orientation is generally accessible through two different tilting angle positions. The TNC uses the solution over the shortest available path—starting from the current position. Therefore, with 5-axis machining it may happen that the TNC moves in the rotary axes to end positions that are not programmed.

To attain the most continuous multiaxis movement possible, define Cycle 32 with a **tolerance for rotary axes** (see Touch Probe Cycles User's Manual, Cycle 32 TOLERANCE). The tolerance of the rotary axes should be about the same as the tolerance of the contouring deviation that is also defined in Cycle 32. The greater the tolerance for the rotary axes is defined, the greater are the contour deviations during peripheral milling.

Example NC blocks:

...	
13 FUNCTION TCPM F TCP AXIS SPAT PATHCTRL AXIS	Tool tip moves along a straight line
14 FUNCTION TCPM F TCP AXIS POS PATHCTRL VECTOR	Tool tip and tool directional vector move in one plane
...	



Resetting the TCPM FUNCTION



- ▶ **FUNCTION RESET TCPM** is to be used if you want to purposely reset the function within a program.

Example NC block:

...	
25 FUNCTION RESET TCPM	Reset TCPM FUNCTION
...	



The TNC automatically resets **TCPM FUNCTION** if you select a new program in a program run mode.

You can reset the **TCPM FUNCTION** only if the **PLANE** function is inactive. If required, run **PLANE RESET** before **FUNCTION RESET TCPM**.



11.6 Three-Dimensional Tool Compensation (Software Option 2)

Introduction

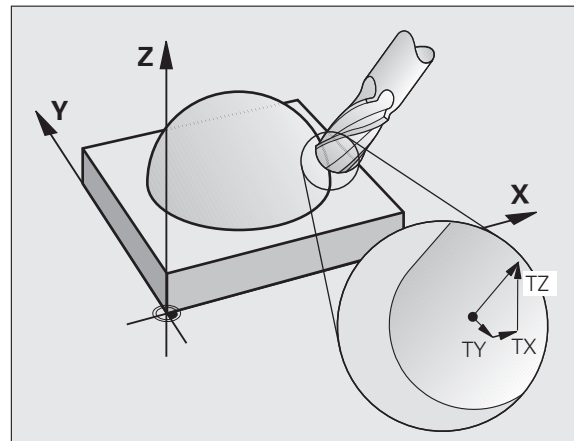
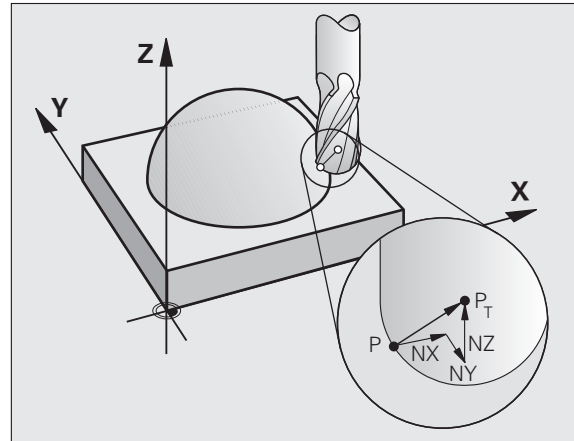
The TNC can carry out a three-dimensional tool compensation (3-D compensation) for straight-line blocks. Apart from the X, Y and Z coordinates of the straight-line end point, these blocks must also contain the components NX, NY and NZ of the surface-normal vector (see "Definition of a normalized vector" on page 400).

If you want to carry out a tool orientation, these blocks need also a normalized vector with the components TX, TY and TZ, which determines the tool orientation (see "Definition of a normalized vector" on page 400).

The straight-line end point, the components for the surface-normal vector as well as those for the tool orientation must be calculated by a CAM system.

Application possibilities

- Use of tools with dimensions that do not correspond with the dimensions calculated by the CAM system (3-D compensation without definition of the tool orientation).
- Face milling: compensation of the cutter geometry in the direction of the surface-normal vector (3-D compensation with and without definition of the tool orientation). Cutting is usually with the end face of the tool.
- Peripheral milling: compensation of the cutter radius perpendicular to the direction of movement and perpendicular to the tool direction (3D radius compensation with definition of the tool orientation). Cutting is usually with the lateral surface of the tool.



Definition of a normalized vector

A normalized vector is a mathematical quantity with a value of 1 and any direction. The TNC requires up to two normalized vectors for LN blocks, one to determine the direction of the surface-normal vector, and another (optional) to determine the tool orientation direction. The direction of a surface-normal vector is determined by the components NX , NY and NZ . With an end mill and a radius mill, this direction is perpendicular from the workpiece surface to the tool datum P_T , and with a toroid cutter through $P_{T'}$ or P_T (see figure). The direction of the tool orientation is determined by the components TX , TY and TZ .



The coordinates for the X, Y, Z positions and the surface-normal components NX , NY , NZ , as well as TX , TY , TZ must be in the same sequence in the NC block.

Always indicate all of the coordinates and all of the surface-normal vectors in an LN block, even if the values have not changed from the previous block.

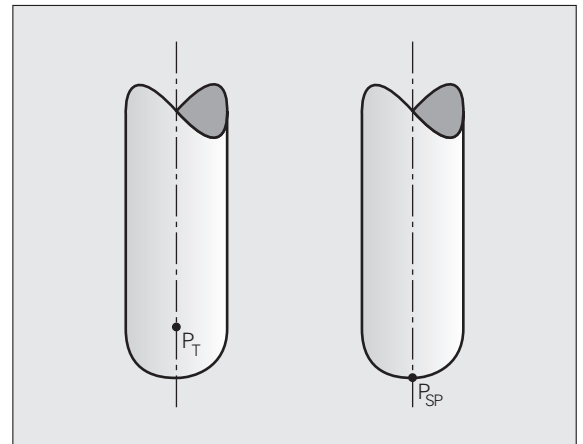
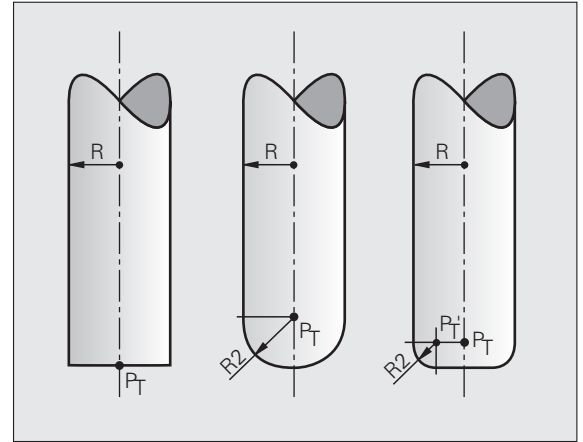
Calculate the normal vectors as exactly as possible and output them with a sufficient number of decimal places, in order to avoid interruptions in the feed rate during machining.

3-D compensation with surface-normal vectors is only effective for coordinates in the main axes X, Y, Z.

If you insert a tool with oversize (positive delta value), the TNC outputs an error message. You can suppress the error message with the M function **M107** (see "Definition of a normalized vector", page 400).

The TNC will not display an error message if an entered tool oversize would cause damage to the contour.

The **toolRefPoint** machine parameter defines whether the CAM system has calculated the tool length compensation from the center of sphere P_T or the south pole of the sphere P_{SP} (see figure).



Permissible tool shapes

You can describe the permissible tool shapes in the tool table via tool radii **R** and **R2** (see figure):

- Tool radius **R**: Distance from the tool center to the tool circumference.
- Tool radius 2 **R2**: Radius of the curvature between tool tip and tool circumference.

The ratio of **R** to **R2** determines the shape of the tool:

- **R2** = 0: End mill
- **R2** = **R**: Radius cutter
- $0 < \mathbf{R2} < \mathbf{R}$: Toroid cutter

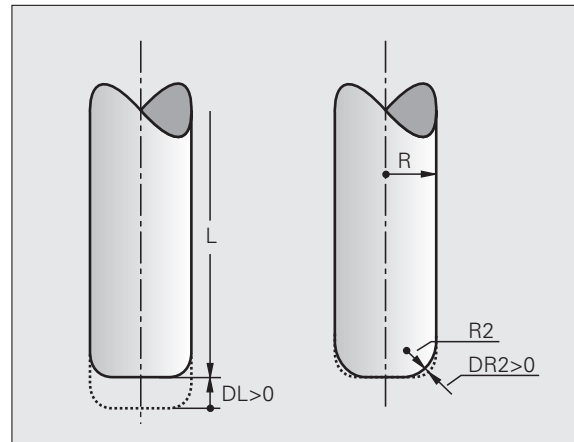
These data also specify the coordinates of the tool datum P_T .

Using other tools: Delta values

If you want to use tools that have different dimensions than the ones you originally programmed, you can enter the difference between the tool lengths and radii as delta values in the tool table or **TOOL CALL**:

- Positive delta value **DL**, **DR**, **DR2**: The tool is larger than the original tool (oversize)
- Negative delta value **DL**, **DR**, **DR2**: The tool is smaller than the original tool (undersize)

The TNC then compensates the tool position by the sum of the delta values from the tool table and the tool call.



3-D compensation without TCPM

The TNC carries out a 3-D compensation for three-dimensional machining operations if the NC program contains surface-normal vectors. In this case, the **RL/RR** radius compensation and **TCPM** or **M128** must be inactive. The TNC displaces the tool in the direction of the surface-normal vectors by the sum of the delta values (tool table and **TOOL CALL**).

Example: Block format with surface-normal vectors

```
1 LN X+31.737 Y+21.954 Z+33.165
  NX+0.2637581 NY+0.0078922 NZ-0.8764339 F1000 M3
```

LN: Straight line with 3-D compensation
X, Y, Z: Compensated coordinates of the straight-line end point
NX, NY, NZ: Components of the surface-normal vector
F: Feed rate
M: Miscellaneous function

Face milling: 3-D compensation with TCPM

Face milling is a machining operation carried out with the front face of the tool. A three-dimensional compensation is carried out during five-axis machining if the NC program contains surface-normal vectors and **TCPM** or **M128** is active. In this case, the **RL/RR** radius compensation must not be active. The TNC displaces the tool in the direction of the surface-normal vectors by the sum of the delta values (tool table and **TOOL CALL**).

If **TCPM** (see "Maintaining the position of the tool tip when positioning with tilted axes (TCPM): M128 (software option 2)", page 390) is active, the TNC maintains the tool perpendicular to the workpiece contour if no tool orientation is programmed in the **LN** block.

If there is a tool orientation **T** defined in the **LN** block and M128 (or **TCPM FUNCTION**) is active at the same time, then the TNC will position the rotary axes automatically so that the tool can reach the defined orientation.

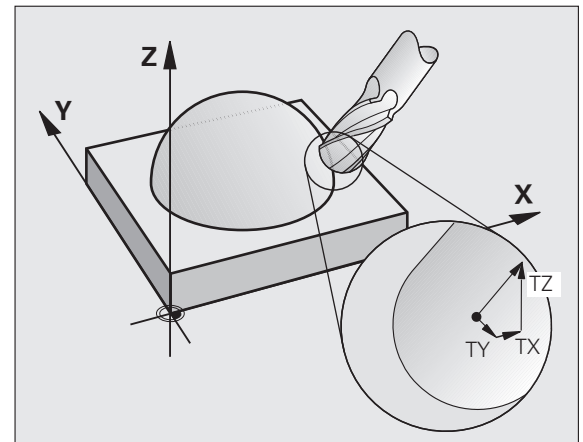
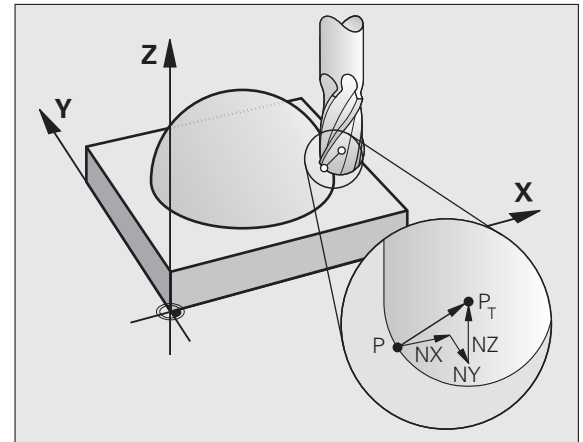


The TNC is not able to automatically position the rotary axes on all machines. Refer to your machine manual.



Danger of collision!

On machines whose rotary axes only allow limited traverse, sometimes automatic positioning can require the table to be rotated by 180°. In this case, make sure that the tool head does not collide with the workpiece or the clamps.



Example: Block format with surface-normal vectors without tool orientation

```
LN X+31.737 Y+21.954 Z+33.165 NX+0.2637581 NY+0.0078922  
NZ-0.8764339 F1000 M128
```

Example: Block format with surface-normal vectors and tool orientation

```
LN X+31.737 Y+21.954 Z+33.165 NX+0.2637581 NY+0.0078922  
NZ-0.8764339 TX+0.0078922 TY-0.8764339 TZ+0.2590319 F1000  
M128
```

LN: Straight line with 3-D compensation
X, Y, Z: Compensated coordinates of the straight-line end point
NX, NY, NZ: Components of the surface-normal vector
TX, TY, TZ: Components of the normalized vector for workpiece orientation
F: Feed rate
M: Miscellaneous function



Peripheral milling: 3-D radius compensation with TCPM and radius compensation (RL/RR)

The TNC displaces the tool perpendicular to the direction of movement and perpendicular to the tool direction by the sum of the delta values **DR** (tool table and **TOOL CALL**). Determine the compensation direction with radius compensation **RL/RR** (see figure, traverse direction Y+). For the TNC to be able to reach the set tool orientation, you need to activate the function **M128** (see "Maintaining the position of the tool tip when positioning with tilted axes (TCPM): M128 (software option 2)" on page 390). The TNC then positions the rotary axes automatically so that the tool can reach the defined orientation with the active compensation.



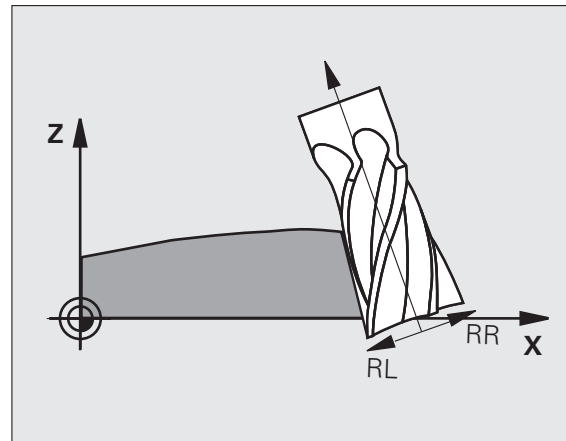
The TNC is not able to automatically position the rotary axes on all machines. Refer to your machine tool manual.

Note that the TNC makes a compensating movement by the defined **delta values**. The tool radius R defined in the tool table has no effect on the compensation.



Danger of collision!

On machines whose rotary axes only allow limited traverse, sometimes automatic positioning can require the table to be rotated by 180°. In this case, make sure that the tool head does not collide with the workpiece or the clamps.



There are two ways to define the tool orientation:

- In an LN block with the components TX, TY and TZ
- In an L block by indicating the coordinates of the rotary axes

Example: Block format with tool orientation

```
1 LN X+31.737 Y+21.954 Z+33.165 TX+0.0078922 TY-0.8764339
TZ+0.2590319 RR F1000 M128
```

LN: Straight line with 3-D compensation
X, Y, Z: Compensated coordinates of the straight-line end point
TX, TY, TZ: Components of the normalized vector for workpiece orientation
RR: Tool radius compensation
F: Feed rate
M: Miscellaneous function

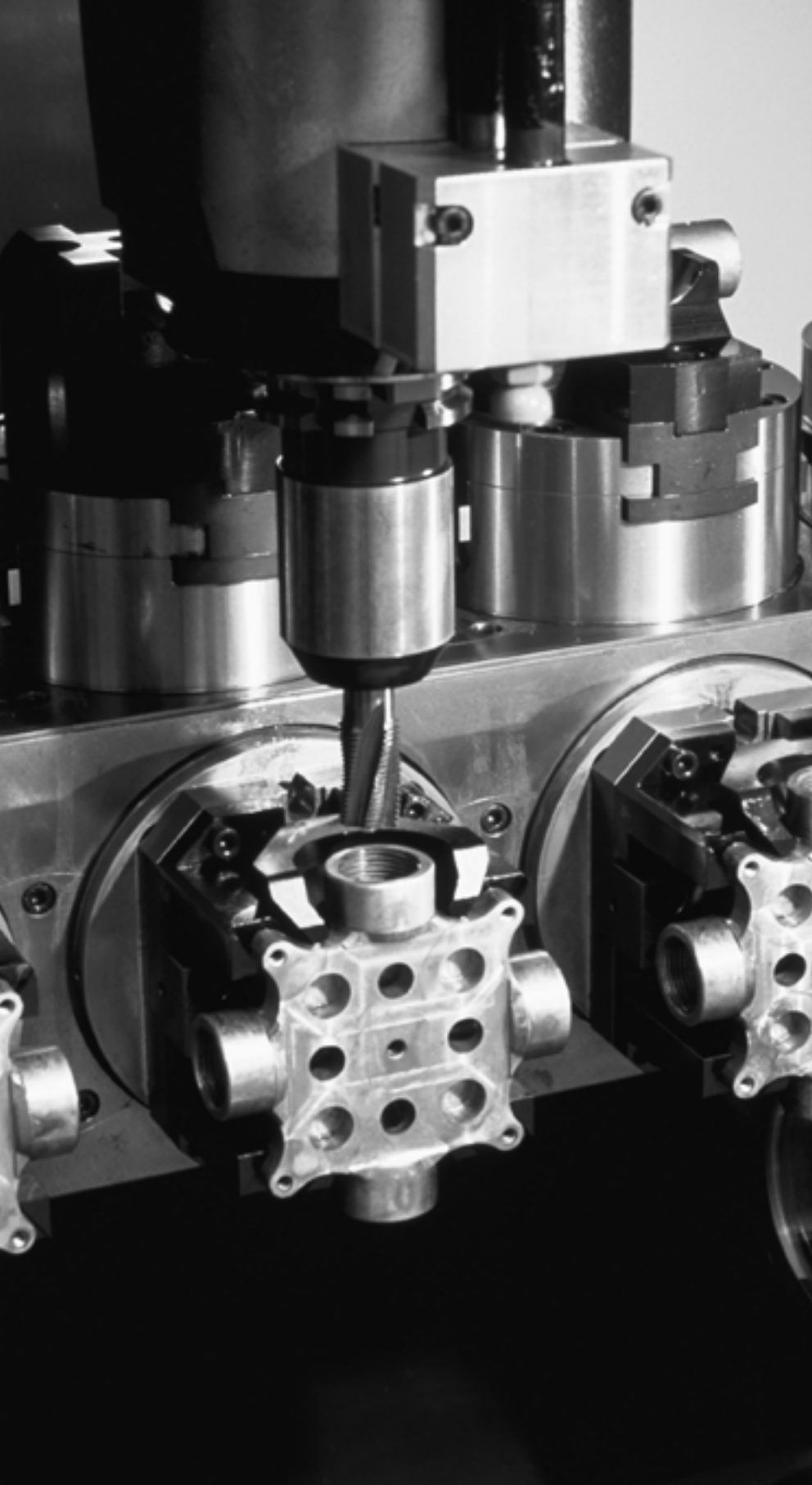
Example: Block format with rotary axes

```
1 L X+31.737 Y+21.954 Z+33.165 B+12.357 C+5.896 RL F1000
M128
```

L: Straight line
X, Y, Z: Compensated coordinates of the straight-line end point
L: Straight line
B, C: Coordinates of the rotary axes for tool orientation
RL: Radius compensation
F: Feed rate
M: Miscellaneous function







12

**Programming:
Pallet Editor**



12.1 Pallet Editor

Application



Pallet table management is a machine-dependent function. The standard functional range will be described below. Refer to your machine tool manual for more information.

Pallet tables are used for machining centers with pallet changers: The pallet table calls the part programs that are required for the different pallets, and activates presets, datum shifts and datum tables.

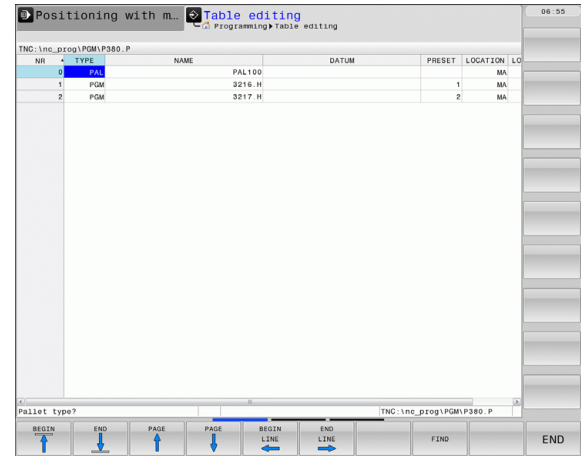
You can also use pallet tables to run in succession several programs that have different reference points.




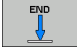


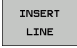

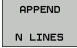


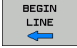
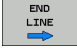



If you want to create or manage pallet tables, the name of the file must begin with a letter.

Pallet tables contain the following information:


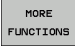
- **TYPE** (entry obligatory):
Identification for pallet or NC program (select with ENT)
- **NAME** (entry obligatory):
Pallet or program name. The machine tool builder determines the pallet name (see your machine tool manual). The program name must be stored in the same directory as the pallet table. Otherwise you must enter the full path name for the program.
- **PRESET** (entry optional):
Preset number from the preset table. The preset number defined here is interpreted by the TNC as a workpiece datum.
- **DATUM** (entry optional):
Name of the datum table. The datum table must be stored in the same directory as the pallet table. Otherwise you must enter the full path name for the datum table. Datums from the datum table can be activated in the NC program with Cycle 7 **DATUM SHIFT**.



- **LOCATION** (entry obligatory):
The entry "MA" indicates that the machine is loaded with a pallet or fixture that can be machined. The TNC only machines pallets or fixtures identified by "MA". To enter "MA", press the ENT key. Press the NO ENT key to remove the entry.
- **LOCK** (entry optional):
Lock the execution of a pallet line. Press the ENT key to mark the execution of a pallet line as locked (the affected line will be identified by "*"). Press the NO ENT key to cancel the lock. You can lock the execution for individual programs, fixtures or entire pallets. Non-locked lines (e.g. PGM) of a locked pallet will also not be executed.

Editing function	Soft key
Select beginning of table	
Select end of table	
Select previous page in table	
Select next page in table	
Insert as last line in the table	
Delete the last line in the table	
Add the number of lines that can be entered at the end of the table	
Copy highlighted field	
Insert the copied field	
Select beginning of line	
Select end of line	
Copy the current value	
Insert the current value	
Edit the current field	



Editing function	Soft key
Sort by content of column	
Additional functions, e.g. saving	

Selecting a pallet table

- ▶ Call the file manager in the Programming and Editing or Program Run mode: Press the PGM MGT key
- ▶ Display all type .P files: Press the SELECT TYPE and SHOW ALL soft keys
- ▶ Select a pallet table with the arrow keys, or enter a new file name to create a new table
- ▶ Confirm your entry with the ENT key

Exiting the pallet file

- ▶ Call the file manager: Press the PGM MGT key
- ▶ Select a different type of file: Press the SELECT TYPE soft key and the soft key for the desired file type, for example SHOW.H
- ▶ Select the desired file



Executing the pallet file



MP7683 defines whether the pallet table is to be executed blockwise or continuously.

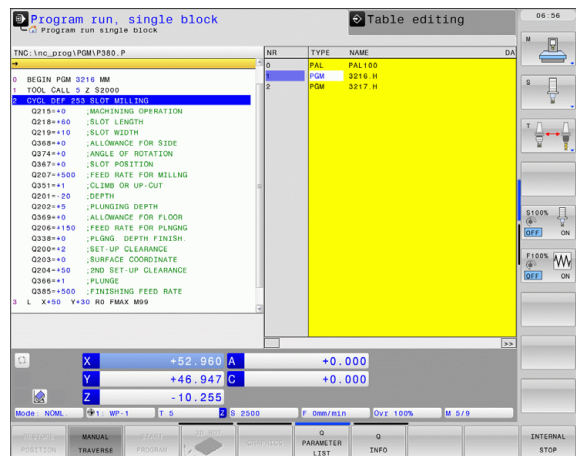
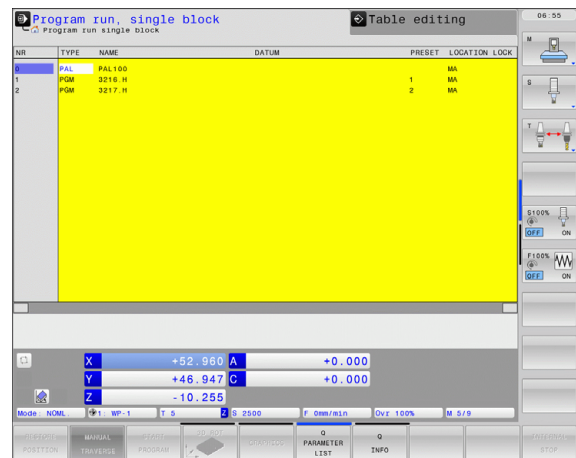
Use the screen layout button to switch between table view and form view.

- ▶ Select the file manager in the Program Run, Full Sequence or Program Run, Single Block operating modes: Press the PGM MGT key
- ▶ Display all type .P files: Press the SELECT TYPE and SHOW P. soft keys
- ▶ Select the pallet table with the arrow keys and confirm with ENT
- ▶ Execute the pallet table: Press the NC start key

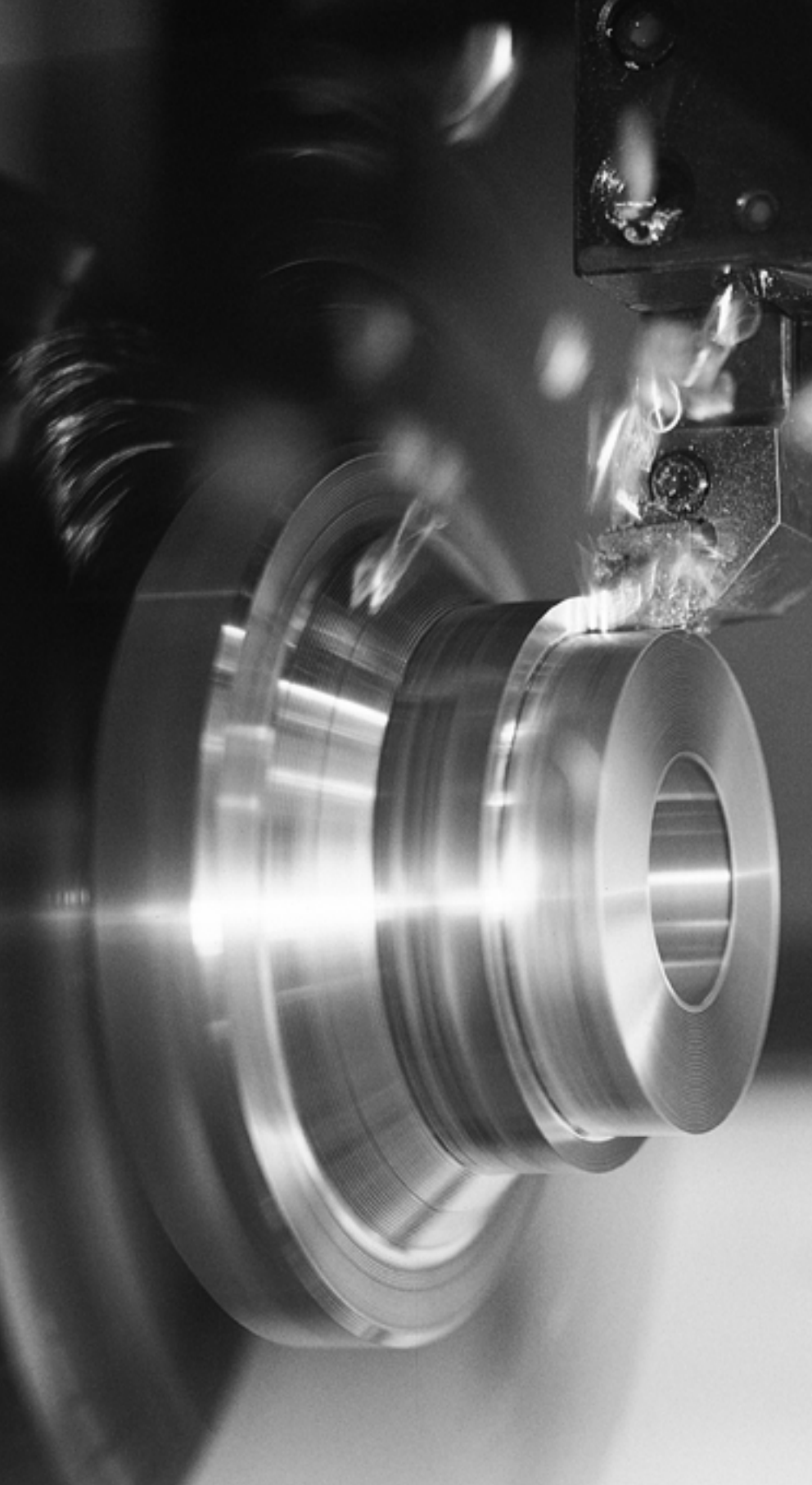
Screen layout for executing pallet tables

You can have the TNC display the program contents and pallet file contents on the screen together by selecting the screen layout PGM + PALLET. During execution, the TNC then shows program blocks to the left and the pallet to the right. To check the program contents before execution, proceed as follows:

- ▶ Select a pallet table
- ▶ With the arrow keys, choose the program you would like to check
- ▶ Press the OPEN PGM soft key: the TNC displays the selected program on the screen. You can now page through the program with the arrow keys
- ▶ To return to the pallet table, press the END PGM soft key







13

**Programming: Turning
Operations**



13.1 Turning Operations on Milling Machines (Software Option 50)

Introduction

Special types of milling machines allow performing both milling and drilling operations. A workpiece can thus be machined completely on one machine without rechucking, even if complex milling and turning applications are required.

Turning operations are machining processes by which workpieces are rotated, thus implementing the cutting movements. A fixed tool carries out infeed and feed movements. Turning applications, depending on machining direction and task, are subdivided into various production processes, e.g. longitudinal turning, face turning, groove turning or thread turning. The TNC offers you several cycles for each of the various production processes (see User's Manual, Cycles, "Turning" chapter).

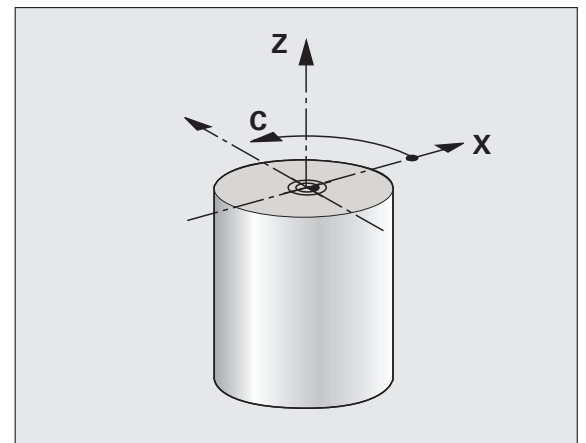
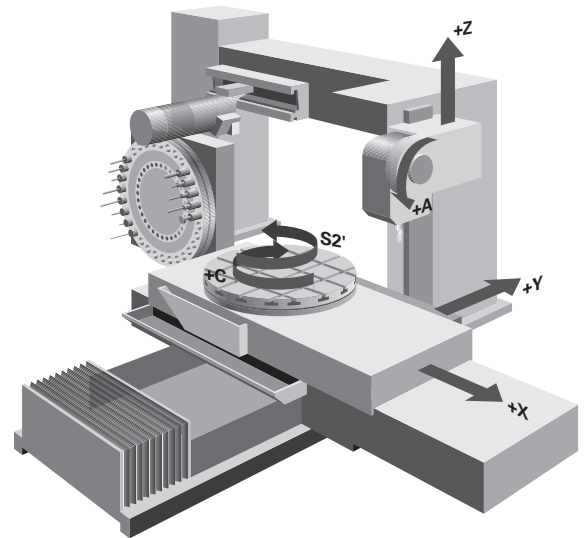
On the TNC you can simply switch between Milling and Turning mode within the NC program. In Turning mode, the rotary table serves as turning spindle, whereas the milling spindle with the tool is fixed. This enables rotationally symmetric contours to be created. The preset must be in the center of the turning spindle.

With the management of turning tools, other geometric descriptions are considered than with milling or drilling tools. To be able to execute tool radius compensation, for example, you have to define the tool radius. To support these definitions, the TNC provides a special tool management for turning tools (see "Tool data" on page 421).

Different cycles are available for machining. These can also be used with additionally inclined swivel axes: See "Inclined turning" on page 431.

The assignment of the axes with turning is defined so that the X coordinates describe the diameter of the workpiece and the Z coordinates the longitudinal positions.

Programming is thus always done in the XZ coordinate plane. The machine axes to be used for the required motions depend on the respective machine kinematics and are determined by the machine manufacturer. This makes NC programs with turning functions largely exchangeable and independent of the machine model.



13.2 Basis Functions (Software Option 50)

Switching between milling/turning mode of operation




The machine has to have been adapted by the machine manufacturer for turning operations and switching the mode of operation. The machine tool manual provides further information.

To switch between milling and turning operations you must switch to the specific mode.

You can switch these operating modes with the NC functions **FUNCTION MODE TURN** and **FUNCTION MODE MILL**.

The TNC shows a symbol in the status display when the turning mode is active

Mode of operation	Symbol
Turning mode active: FUNCTION MODE TURN	
Milling mode active: FUNCTION MODE MILL	No symbol

When the modes of operation are switched between, the TNC executes a macro that defines the machine-specific settings for the specific mode of operation.



The preset must be in the center of the turning spindle in turning mode.

The position of the tool tip must be aligned to the center of the turning spindle. Position the Y coordinates in Turning mode to the center of the turning spindle.

Check the orientation of the tool spindle. The tool tip must be aligned to the center of the turning spindle for outside machining. The tool tip must be aligned opposite to the center of the turning spindle for inside machining.

Check whether the rotation direction of the turning spindle is correct for the loaded tool.

If you process heavy workpieces with high speeds then high physical forces occur. Ensure that the workpiece is firmly clamped to avoid accidents or machine damage.





In Turning mode, diameter values are displayed on the X axis position display. The TNC then shows a diameter symbol on the position display.

In Turning mode, the spindle potentiometer is effective on the turning spindle (rotary table).

Switching modes is not possible if "Tilting the working plane" or TCPM is active.

In Turning mode, no coordinate conversions are permitted except for the datum shift cycle.

You can also use the smartSelect function for defining the turning functions (see "Overview of Special Functions" on page 344).

Entering the operation mode:



- ▶ Show the soft-key row with special functions



- ▶ Select the menu for **TURNING PROGRAM FUNCTIONS**



- ▶ Select **BASIC FUNCTIONS**



- ▶ Select **FUNCTION MODE**



- ▶ Select the function for Turning or Milling mode

NC syntax

11 FUNCTION MODE TURN ; ACTIVATE TURNING MODE

12 FUNCTION MODE MILL ; ACTIVATE MILLING MODE



Graphical display of turning operations

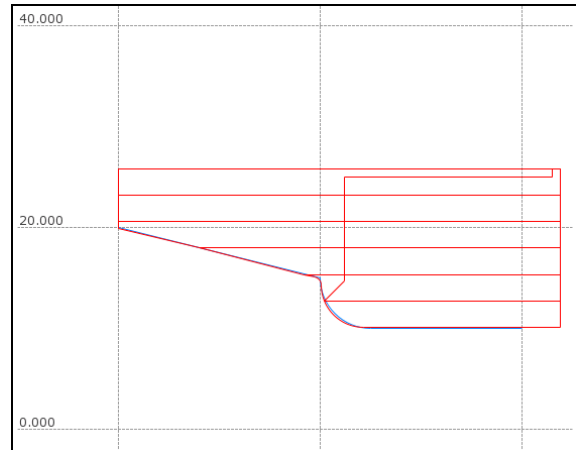
You can graphically simulate turning processes with the line graphic in Programming operating mode. The requirement for this is a workpiece blank definition suitable for the turning process.

The assignment of the axes with turning is defined so that the X coordinates describe the diameter of the workpiece and the Z coordinates the longitudinal positions. To display the traverse movements in Turning mode you must use a workpiece blank definition with the spindle axis **Y**.

Even when turning occurs in a 2D plane (X and Z coordinates) you must still program the Y values when defining the workpiece blank. The TNC requires the Y expansion for calculating the workpiece blank cuboid. It is sufficient when you enter small values here such as -1 and +1, as the Y coordinates in Turning mode are not considered as the operating axis.



In the Program Test operating mode, you can only use the 3D line graphic for simulating processing in Turning mode.



NC syntax

0 BEGIN PGM SHOULDER MM	
1 BLK FORM 0.1 Y X+0 Y-1 Z-50	Definition of workpiece blank
2 BLK FORM 0.2 X+87 Y+1 Z+2	
3 TOOL CALL 12	Tool call
4 M140 MB MAX	Retract the tool
5 FUNCTION MODE TURN	Activate Turning mode



Programming the speed



If you machine at constant cutting speed, the selected gear range limits the possible spindle speed range. The possible gear ranges (if applicable) depend on your machine.

With turning you can machine both at constant spindle speed and constant cutting speed.

If you machine at constant cutting speed **VCONST:ON**, the TNC modifies speed according to the distance of the tool tip to the center of the turning spindle. The TNC increases table speed with positioning in the direction of the turning center and reduces speed with movements away from the turning center.

For processing with constant spindle speed **VCONST:OFF**, speed is independent of the tool position.

Use **FUNCTION TURNDATA SPIN** to define the speed. The TNC now provides the following entry elements:

- **VCONST:** Constant cutting speed on/off (obligatory)
- **VC:** Cutting speed (optional)
- **S:** Speed (optional)
- **GEARRANGE:** Gear range for the turning spindle (optional)

Defining the speed:

SPEC
FCT

- ▶ Show the soft-key row with special functions

TURNING
PROGRAM
FUNCTIONS

- ▶ Select the menu for **TURNING PROGRAM FUNCTIONS**

FUNCTION
TURNDATA

- ▶ Select **FUNCTION TURNDATA**

TURNDATA
SPIN

- ▶ Select **TURNDATA SPIN**

VCONST:
ON

- ▶ Select the function for speed entry **VCONST:**

NC syntax

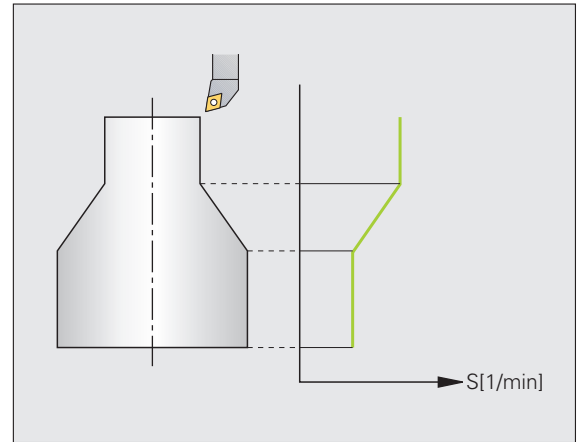
```
3 FUNCTION TURNDATA SPIN VCONST:ON VC:100 GEARRANGE:2
```

Definition of a constant cutting speed in gear range 2

```
3 FUNCTION TURNDATA SPIN VCONST:OFF S550
```

Definition of a constant spindle speed

...



Feed rate

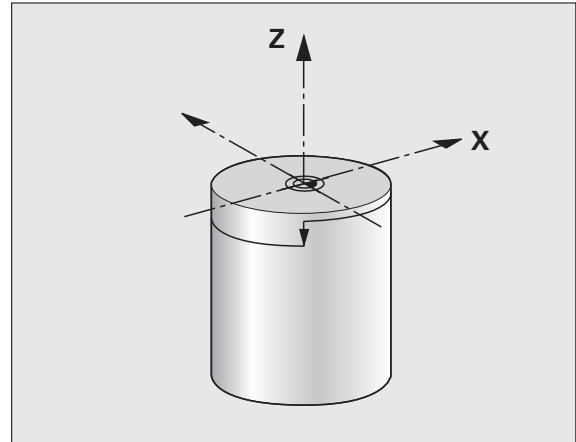
With turning, feed rates are often specified in millimeters per revolution. The TNC moves the tool according to a defined value for each spindle revolution. The resulting contouring feed rate is thus dependent on the speed of the turning spindle. With high speeds the TNC increases the feed rate and with low speeds reduces the feed rate. With uniform cutting depth you can machine with constant cutting force to achieve a constant cut thickness.

The programmed feed rate on a TNC is by default always interpreted in millimeters per minute (mm/min). If you wish to define feed rate in millimeters per revolution (mm/rev.), you must program **M136**. The TNC then interprets all subsequent feed rate specifications in mm/rev. until **M136** is canceled.

M136 is effective modally at the beginning of the block and can be canceled with **M137**.

NC syntax

10 L X+102 Z+2 R0 FMAX	Movement at rapid traverse
...	
15 L Z-10 F200	Movement at a feed rate of 200 mm/min
...	
19 M136	Feed rate in millimeters per revolution
20 L X+154 F0.2	Movement at a feed rate of 0.2 mm/rev.
...	



Tool call

Just as in Milling mode, turning tools are called with the **TOOL CALL** function. You merely have to enter the tool number or tool name in the **TOOL CALL** block.



You can call and insert a turning tool both in Milling mode and in Turning mode.

NC syntax

```
1 FUNCTION MODE TURN
2 TOOL CALL "TRN_ROUGH"
...
```

Tool compensation in the program

With **FUNCTION TURNDATA CORR** you can define additional compensation values for the active tool. In **FUNCTION TURNDATA CORR** you can enter delta values for tool lengths in the X direction **DXL** and in the Z direction **DZL**. The compensation values have an additive effect on the compensation values from the turning tool table. **FUNCTION TURNDATA CORR** is always effective for the active tool. A renewed **TOOL CALL** deactivates compensation again. When you exit the program (e.g. PGM MGT), the TNC automatically resets the compensation values.



Tool compensation is always effective in the tool coordinate system, even during inclined machining.

Defining tool compensation:

SPEC
FCT

▶ Show the soft-key row with special functions

TURNING
PROGRAM
FUNCTIONS

▶ Select the menu for **TURNING PROGRAM FUNCTIONS**

FUNCTION
TURNDATA

▶ Select **FUNCTION TURNDATA**

TURNDATA
CORR

▶ Select **TURNDATA CORR**

NC syntax

```
21 FUNCTION TURNDATA CORR:X/Z DXL:0.1 DZL:0.05
...
```



Tool data

You define turning-specific tool data in the turning tool table **TOOLTURN.TRN**.

The tool number saved in column **T** refers to the number of the turning tool in **TOOL.T**. Geometry values such as **L** and **R** from **TOOL.T** are not effective with turning tools.

In addition you must identify turning tools in the tool table **TOOL.T** as turning tools. For this, in column **TYP** select the tool type **TURN** for the appropriate tool. If you require additional geometric data for a tool you can create further indexed tools for this.



The tool number in **TOOLTURN.TRN** must match the tool number of the turning tool in **TOOL.T**. If you enter or copy a new line you can then enter the corresponding number.

Below the table window the TNC displays dialog text, unit specification and entry area for the specific input field.

Program run full s... Table editing
Programming Table editing 06:58

TNC:\nc_prog\PM\Toolturn.trn

T	XL	ZL	DXL	DZL	RS	TO	ORI	T-ANGLE	P...
40		150.0	0	0	0.5	1	0	110	
41	-40	150	0	0	0.5	7	0	92	
42	30	125	0	0	0.2	1	0	115	
45	50	150	0	0	0.2	1	0	0	
46	10	170	0	0	0	8	0	0	
48	50	150	0	0	0	1	0	0	

Tool length 27 mm Min -99999.9999, Max +99999.9999 TNC:\nc_prog\PM\Toolturn.trn



Data in the turning tool table:

Abbr.	Application	Input
T	Tool number: Must match the tool number of the turning tool in TOOL.T	-
ZL	Compensation value for tool length 1 (Z direction)	-99999.9999...+99999.9999
XL	Compensation value for tool length 2 (X direction)	-99999.9999...+99999.9999
DZL	Delta value for tool length 1 (Z direction), additive effect on ZL	-99999.9999...+99999.9999
DXL	Delta value for tool length 2 (X direction), additive effect on XL	-99999.9999...+99999.9999
RS	Tool tip radius: The TNC considers the tool tip radius in turning cycles and implements tool tip radius compensation when contours with radius compensation RL or RR were programmed	-99999.9999...+99999.9999
T0	Tool orientation: Direction of tool tip	1...9
ANGLE OF ORIENTATION (ORI)	Spindle orientation angle: Angle of the milling spindle for aligning the turning tool to the machining position	-360.0...+360.0
T-ANGLE	Setting angle for roughing and finishing tools	0.0000...+179.9999
P-ANGLE	Point angle for roughing and finishing tools	0.0000...+179.9999
CUTWIDTH	Width of recessing tool	-99999.9999...+99999.9999
TYPE	Type of turning tool: Roughing tool ROUGH , finishing tool FINISH , thread tool THREAD , recessing tool RECESS , button tool BUTTON	ROUGH, FINISH, THREAD, RECESS, BUTTON



Tool tip radius compensation TRC

Turning tools have a radius at the tool tip (**RS**). When machining tapers, chamfers and radii, this results in inaccuracies on the contour because programmed traverse paths are always referenced to the theoretical tool tip **S** (see figure at upper right). TRC prevents the resulting deviations.

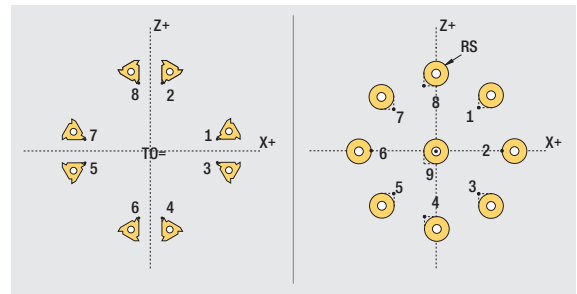
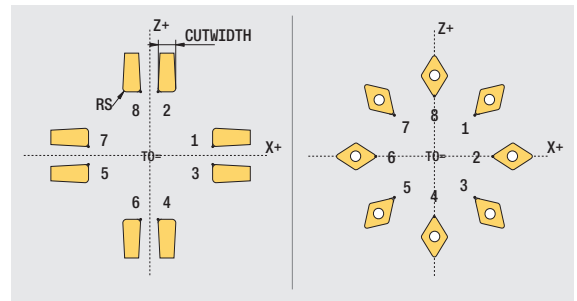
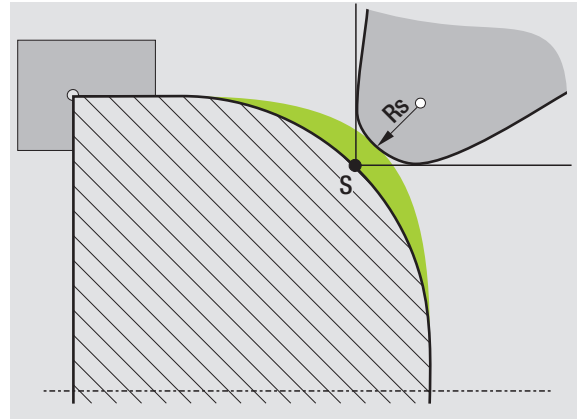
In turning cycles the TNC automatically carries out tool tip radius compensation. In specific traversing blocks and within programmed contours, activate TRC with **RL** or **RR**.

In turning cycles the TNC checks the cutting geometry with the point angle **P-ANGLE** and the setting angle **T-ANGLE**. Contour elements in the cycle are processed by the TNC only as far as this is possible with the specific tool. The TNC outputs a warning when residual material is left behind.



When the position of the cutting edge is neutral (**T0=2;4;6;8**), the direction of the radius compensation is ambiguous. In this case, TRC is only possible within cycles.

The TNC can also run tool tip radius compensation during inclined processing. The following limitation applies here: if you activate inclined processing with **M128** then tool tip radius compensation without a cycle, i.e. in traversing blocks with **RL/RR**, is not possible. If you activate inclined processing with **M144** this limitation does not apply.



Recessing and undercutting

Some cycles machine contours that you have written in a subprogram. You program these contours with plain-language path functions or FK functions. Further special contour elements are available to you for writing turning contours. In this way you can program complete recessing and undercutting as complete contour elements with a single NC block.



Recessing and undercutting always reference a previously defined linear contour element.

Recessing elements **GRV** and undercut elements **UDC** can only be used in contour subprograms that are called by a turning cycle (see User's Manual, Cycles, Turning).

You have various input possibilities when defining recessing and undercutting. Some of these inputs are mandatory, and others you can leave out (optional). The mandatory inputs are symbolized as such in the help graphics. In some elements you can select between two different definitions. The TNC has soft keys with the corresponding selection possibilities.

Programming recessing and undercutting:



- ▶ Show the soft-key row with special functions



- ▶ Select the menu for **TURNING PROGRAM FUNCTIONS**



- ▶ Select **RECESS/UNDERCUT**



- ▶ Select **GRV** (recess) or **UDC** (undercut)



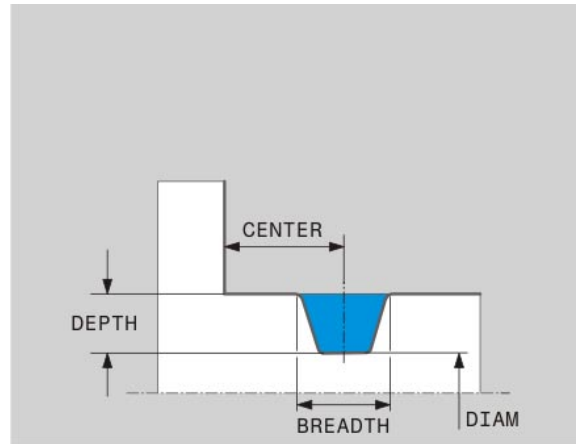
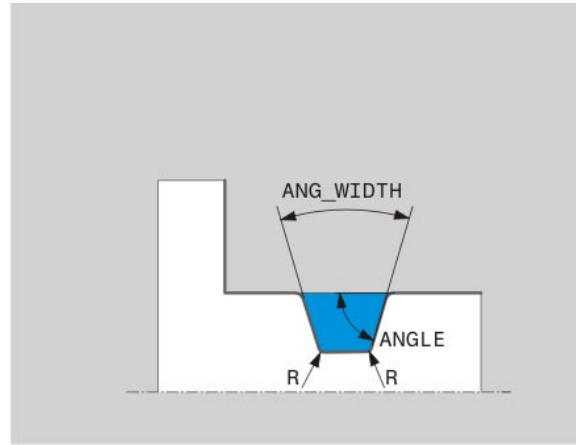
Programming recessing

Recessing is the machining of recesses in round components, usually for accommodation of locking rings and seals or as lubricating grooves. You can program recessing around the circumference or on the face ends of the turned part. For this you have two separate contour elements:

- **GRV RADIAL**: Recess in circumference of component
- **GRV AXIAL**: Recess on face end of component

Input elements in recessing **GRV**:

Input element	Use	Input
CENTER	Center of recess	Required
R	Corner radius of both inner corners	Optional
DEPTH / DIAM	Recess depth (pay attention to the algebraic sign!) / diameter of recess base	Required
BREADTH	Recess width	Required
ANGLE / ANG_WIDTH	Edge angle / aperture angle of both edges	Optional
RND / CHF	Curve / chamfer corner of contour near to starting point	Optional
FAR_RND / FAR_CHF	Curve / chamfer corner of contour away from starting point	Optional





The algebraic sign for the recess depth specifies the machining position of the recess (inside/outside machining).

Algebraic sign of recess depth for outside machining:

- Use a negative sign when the contour element runs in a negative direction to the Z coordinate
- Use a positive sign when the contour element runs in a positive direction to the Z coordinate

Algebraic sign of recess depth for inside machining:

- Use a positive sign when the contour element runs in a negative direction to the Z coordinate
- Use a negative sign when the contour element runs in a positive direction to the Z coordinate

Radial recess: depth=5, width=10, Pos.= Z-15

```
21 L X+40 Z+0
```

```
22 L Z-30
```

```
23 GRV RADIAL CENTER-15 DEPTH-5 BREADTH10 CHF1 FAR_CHF1
```

```
24 L X+60
```



Programming undercutting

Undercutting is usually required for the flush connection of counterparts. In addition undercutting can help to reduce the notch effect at corners. Threads and fits are often machined with an undercut. You have various contour elements for defining the different undercuts:

- **UDC TYPE_E**: Undercut for cylindrical surface to be further processed in compliance with DIN 509
- **UDC TYPE_F**: Undercut for plan and cylindrical surface for further processing in compliance with DIN 509
- **UDC TYPE_H**: Undercut for more rounded transition in compliance with DIN 509
- **UDC TYPE_K**: Undercut in face and cylindrical surface
- **UDC TYPE_U**: Undercut in cylindrical surface
- **UDC THREAD**: Thread undercut in compliance with DIN 76



The TNC always interprets undercuts as form elements in the longitudinal direction. No undercuts are possible in the plane direction.

Undercut DIN 509 UDC TYPE_E

Input elements in undercut DIN 509 **UDC TYPE_E**:

Input element	Use	Input
R	Corner radius of both inner corners	Optional
DEPTH	Undercut depth	Optional
BREADTH	Undercut width	Optional
ANGLE	Undercut angle	Optional

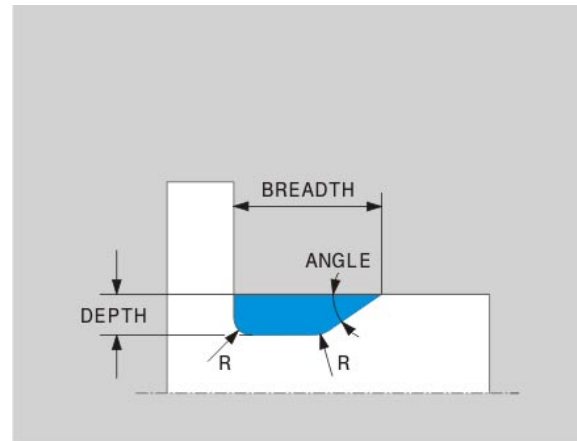
Undercut: depth = 2, width = 15

21 L X+40 Z+0

22 L Z-30

23 23 UDC TYPE_E R1 DEPTH2 BREADTH15

24 L X+60



Undercut DIN 509 UDC TYPE_F

Input elements in undercut DIN 509 **UDC TYPE_F**:

Input element	Use	Input
R	Corner radius of both inner corners	Optional
DEPTH	Undercut depth	Optional
BREADTH	Undercut width	Optional
ANGLE	Undercut angle	Optional
FACEDEPTH	Depth of face	Optional
FACEANGLE	Contour angle of face	Optional

Undercut form F: depth = 2, width = 15, depth of face = 1

```

21 L X+40 Z+0
22 L Z-30
23 UDC TYPE_F R1 DEPTH2 BREADTH15 FACEDEPTH1
24 L X+60
    
```

Undercut DIN 509 UDC TYPE_H

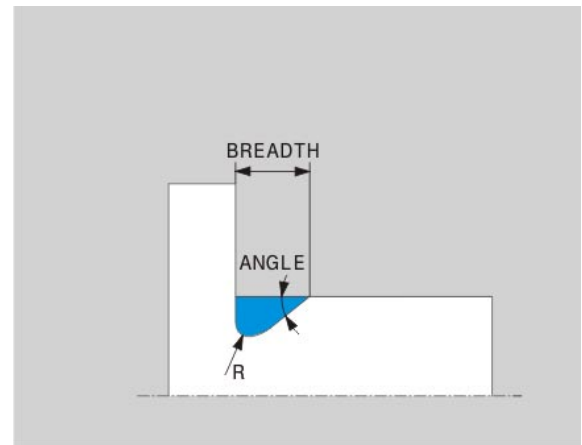
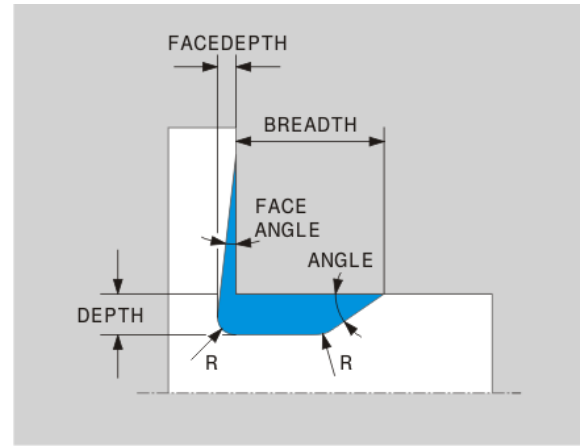
Input elements in undercut DIN 509 **UDC TYPE_H**:

Input element	Use	Input
R	Corner radius of both inner corners	Required
BREADTH	Undercut width	Required
ANGLE	Undercut angle	Required

Undercut form H: depth = 2, width = 15, angle = 10°

```

21 L X+40 Z+0
22 L Z-30
23 UDC TYPE_H R1 BREADTH10 ANGLE10
24 L X+60
    
```



Undercut UDC TYPE_K

Input elements in undercut **UDC TYPE_K**:

Input element	Use	Input
R	Corner radius of both inner corners	Required
DEPTH	Undercut depth (paraxially)	Required
ROT	Angle to longitudinal axis (default: 45°)	Optional
ANG_WIDTH	Opening angle of undercut	Required

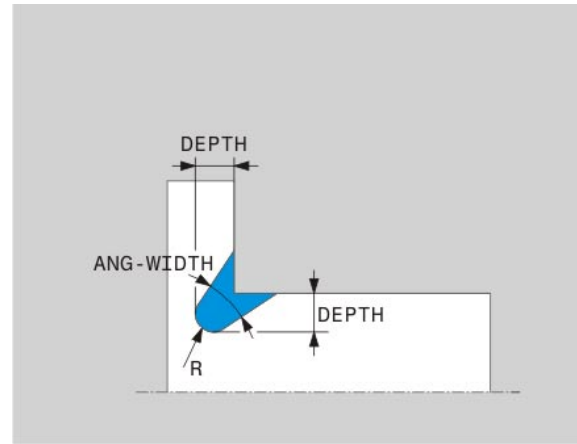
Undercut form K: depth = 2, width = 15, opening angle = 30°

21 L X+40 Z+0

22 L Z-30

23 UDC TYPE_K R1 DEPTH3 ANG_WIDTH30

24 L X+60



Undercut UDC TYPE_U

Input elements in undercut **UDC TYPE_U**:

Input element	Use	Input
R	Corner radius of both inner corners	Required
DEPTH	Undercut depth	Required
BREADTH	Undercut width	Required
RND / CHF	Curve / chamfer of outer corner	Required

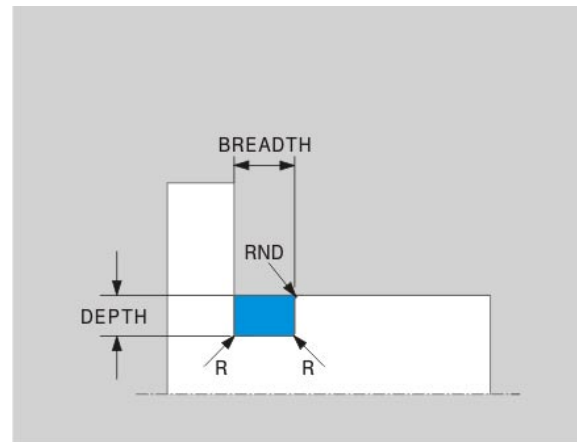
Undercut form U: depth = 3, width = 8

21 L X+40 Z+0

22 L Z-30

23 UDC TYPE_U R1 DEPTH3 BREADTH8 RND1

24 L X+60



Undercut UDC THREADInput elements in undercut DIN 76 **UDC THREAD**:

Input element	Use	Input
PITCH	Thread pitch	Optional
R	Corner radius of both inner corners	Optional
DEPTH	Undercut depth	Optional
BREADTH	Undercut width	Optional
ANGLE	Undercut angle	Optional

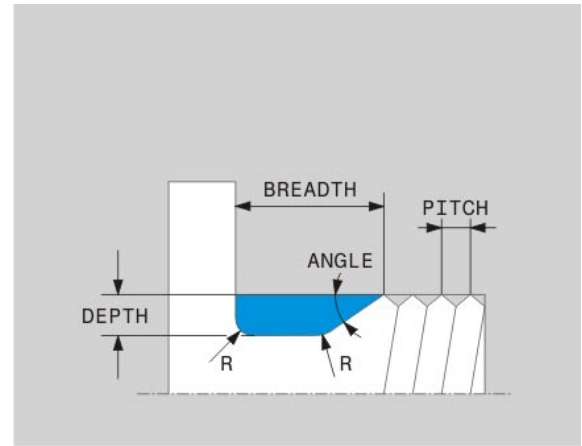
Thread undercut according to DIN 76: Thread pitch = 2

21 L X+40 Z+0

22 L Z-30

23 UDC THREAD PITCH2

24 L X+60



Inclined turning

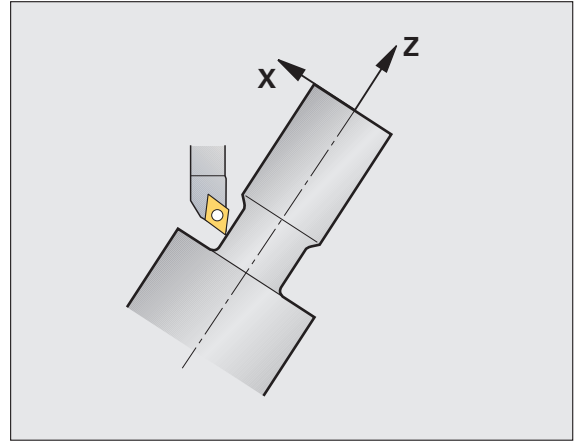
It may sometimes be necessary for you to bring the swivel axes into a specific position to machine a specific process. This can be necessary for example when you can only machine contour elements according to a specific position due to tool geometry.

Inclining a swivel axis creates an offset from tool to tool. The function **M144** considers the position of the inclined axes and compensates this offset. In addition the function **M144** aligns the Z direction of the workpiece coordinate system to the direction of the centerline of the tool. If an inclined axis is a tilting table, so that the workpiece is sloping, the TNC runs traverse movements in the displaced workpiece coordinate system. If the inclined axis is a swivel head (tool is sloping) the workpiece coordinate system is not displaced.

After inclining the swivel axis you may have to again pre-position the tool in the Y coordinates and orient the position of the tool tip with the cycle 800.

Alternatively to function **M144** you can also use function **M128**. The effect is identical, but the following limitation applies: The TNC can also run tool tip radius compensation during inclined processing. If you activate inclined processing with **M128** then tool tip radius compensation without a cycle, i.e. in traversing blocks with **RL/RR**, is not possible. If you activate inclined processing with **M144** this limitation does not apply.

If the turning cycles are executed with **M144**, the angles of the tool to the contour change. The TNC automatically takes these modifications into account and thus also monitors the machining in inclined state.



If you process in inclined state you cannot use recessing cycles or thread cycles.

Tool compensation is always effective in the tool coordinate system, even during inclined machining.



Example NC blocks: Inclined machining on a machine with a rotary table C and a tilting table A

...	
12 M144	Activate inclined machining
13 L A-25 R0 FMAX	Position swivel axis
14 CYCL DEF 800 ADAPT ROTARY COORDINATE SYSTEM	Workpiece coordinate system and align tool
Q497=+90 ;PRECESSION ANGLE	
Q498=+0 ;REVERSE TOOL	
15 L X+165 Y+0 R0 FMAX	Pre-position the tool
16 L Z+2 R0 FMAX	Tool at starting position
...	Machining with inclined axis



13.3 Unbalance Functions

Unbalance while turning

General information

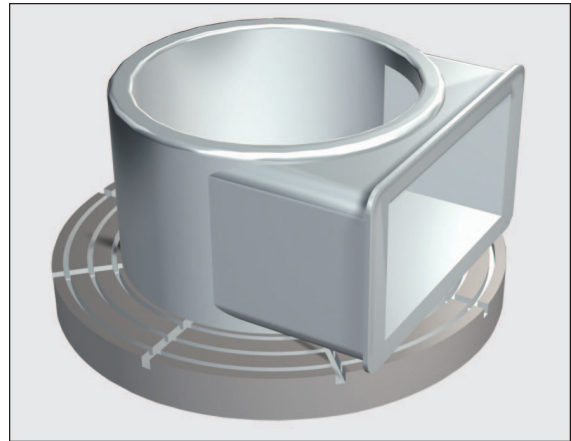


The machine has to have been adapted by the machine manufacturer for monitoring and measuring unbalance. Not all machine types require the unbalance functions, so these features might not be available on your machine tool. The machine tool manual provides further information.

The unbalance functions described here are basic functions that are set up and adapted to the machine by the machine manufacturer. The scope and effect of the described functions may therefore vary from machine to machine. The machine manufacturer may also provide different unbalance functions. Please refer to your machine tool manual.

In a turning operation, the tool is in a fixed position, whereas the rotary table and the clamped workpiece rotate. Depending on the size of the workpiece, the mass that is set in rotation can be very large. As the workpiece rotates, it creates an outward centrifugal force.

The centrifugal force that occurs basically depends on the rotational speed, the mass and the unbalance of the workpiece. An unbalance occurs if an object with a rotationally nonsymmetrical mass distribution is set in rotation. The rotation of the mass object creates outward-directed centrifugal forces. If the rotating mass is evenly distributed, the centrifugal forces cancel each other out.



13.3 Unbalance Functions

Unbalance is significantly influenced by the structural shape of the workpiece (e.g. nonsymmetrical pump body) and by the chucking equipment. As these factors frequently cannot be changed, you should compensate any existing unbalance by means of balancing weights. The TNC provides the "Measure Unbalance" cycle for this purpose. The cycle determines the existing unbalance and calculates the mass and position of the required balancing weight.



The rotation of the workpiece creates centrifugal forces that can cause vibration (resonance), depending on the unbalance. This vibration has a negative effect on the machining process and reduces the tool life. High centrifugal forces can damage the machine or push the workpiece out of the fixture.

Check the unbalance whenever you clamp a new workpiece. If required, use balancing weights to compensate any unbalance.

The removal of material during machining will change the mass distribution within the workpiece. This may also have an influence on workpiece unbalance. Therefore, unbalance checks should also be carried out between machining steps.

Keep in mind the mass and unbalance of the workpiece when choosing the speed. Do not use high speeds with heavy workpieces or high unbalance loads.



Unbalance Monitor function

The Unbalance Monitor function monitors the unbalance of a workpiece in Turning mode. If a maximum unbalance limit specified by the machine manufacturer is exceeded, the TNC issues an error message and initiates an emergency stop. In addition, you can further decrease the permissible unbalance limit by setting the machine parameter **LimitUnbalanceUsr**. If this limit is exceeded, the TNC will display an error message, but the table rotation will not be stopped. The TNC automatically activates the Unbalance Monitor function when you switch to Turning mode. The unbalance monitor is effective until you switch back to Milling mode.

Measure Unbalance cycle

To ensure maximum safety and minimum strain on the machine and workpiece during turning, you should check the unbalance of the clamped workpiece and compensate it with a balancing weight. The TNC provides the Measure Unbalance cycle for this purpose. The Measure Unbalance cycle determines the unbalance of the workpiece and calculates the mass and position of a balancing weight.

To determine unbalance:



- ▶ Shift the soft-key row in the Manual Operation mode

MANUAL
CYCLES

- ▶ Select the **MANUAL CYCLES** soft key

TURNING

- ▶ Select the **TURNING** soft key

MEASURE
UNBALANCE

- ▶ Select the **MEASURE UNBALANCE** soft key

- ▶ Enter the speed for unbalance detection

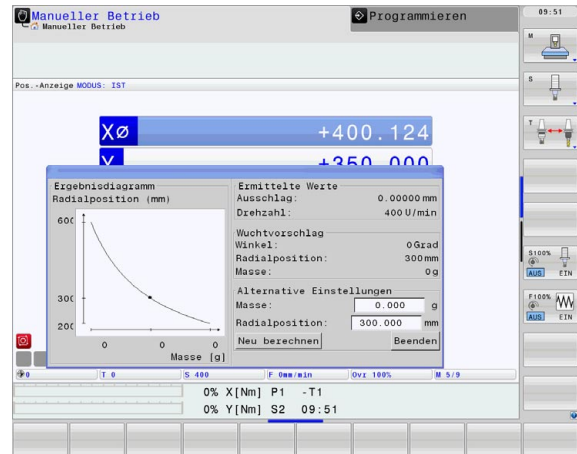
- ▶ Press the NC Start button: The cycle starts rotating the table at a low speed and gradually increases the speed up to the defined value. The TNC displays a window that shows the calculated mass and radial position of the balancing weight.

If you wish to use a different radial position or mass for the balancing weight, you can overwrite one value and have the other value recalculated automatically.



Repeat the unbalance measurement after you have clamped a balancing weight.

In some cases, you may need to place two or more balancing weights at different positions in order to compensate unbalance.







14

**Manual Operation and
Setup**



14.1 Switch-On, Switch-Off

Switch-on



Switch-on and crossing over the reference points can vary depending on the machine tool. Refer to your machine manual.

Switch on the power supply for TNC and machine. The TNC then displays the following dialog:

SYSTEM STARTUP

TNC is started

POWER INTERRUPTED



TNC message that the power was interrupted—clear the message

TRANSLATE PLC PROGRAM

The PLC program of the TNC is automatically translated

RELAY EXT. DC VOLTAGE MISSING



Switch on external dc voltage. The TNC checks the functioning of the EMERGENCY STOP circuit

MANUAL OPERATION TRAVERSE REFERENCE POINTS



Cross the reference points manually in the displayed sequence: For each axis press the machine START button, or



Cross the reference points in any sequence: Press and hold the machine axis direction button for each axis until the reference point has been traversed



If your machine is equipped with absolute encoders, you can leave out crossing the reference marks. In such a case, the TNC is ready for operation immediately after the machine control voltage is switched on.



The TNC is now ready for operation in the Manual Operation mode.



The reference points need only be crossed if the machine axes are to be moved. If you intend only to write, edit or test programs, you can select the Programming and Editing or Test Run modes of operation immediately after switching on the control voltage.

You can cross the reference points later by pressing the PASS OVER REFERENCE soft key in the Manual Operation mode.



Crossing the reference point in a tilted working plane



Danger of collision!

Make sure that the angle values entered in the menu for tilting the working plane match the actual angles of the tilted axis.

Deactivate the "Tilt Working Plane" function before you cross the reference points. Take care that there is no collision. Retract the tool from the current position first, if necessary.

The TNC automatically activates the tilted working plane if this function was enabled when the control was switched off. Then the TNC moves the axes in the tilted coordinate system when an axis-direction key is pressed. Position the tool in such a way that a collision is excluded during the subsequent crossing of the reference points. To cross the reference points you have to deactivate the "Tilt Working Plane" function, see "Activating manual tilting", page 473.



If you use this function, then for non-absolute encoders you must confirm the positions of the rotary axes, which the TNC displays in a pop-up window. The position displayed is the last active position of the rotary axes before switch-off.

If one of the two functions that were active before is active now, the NC START button has no function. The TNC outputs a corresponding error message.

Switch-off

To prevent data from being lost at switch-off, you need to shut down the operating system of the TNC as follows:

- ▶ Select the Manual Operation mode



- ▶ Select the function for shutting down, confirm again with the YES soft key
- ▶ When the TNC displays the message **NOW IT IS SAFE TO TURN POWER OFF** in a pop-up window, you may cut off the power supply to the TNC



Inappropriate switch-off of the TNC can lead to data loss!
Remember that pressing the END key after the control has been shut down restarts the control. Switch-off during a restart can also result in data loss!



14.2 Moving the Machine Axes

Note



Traversing with the machine axis direction buttons can vary depending on the machine tool. The machine tool manual provides further information.

Moving the axis using the machine axis direction buttons



Select the Manual Operation mode



Press the machine axis direction button and hold it as long as you wish the axis to move, or



Move the axis continuously: Press and hold the machine axis direction button, then press the machine START button



To stop the axis, press the machine STOP button

You can move several axes at a time with these two methods. You can change the feed rate at which the axes are traversed with the F soft key, see "Spindle Speed S, Feed Rate F and Miscellaneous Functions M", page 444.



Incremental jog positioning

With incremental jog positioning you can move a machine axis by a preset distance.



Select the Manual Operation or EI Handwheel mode



Shift the soft-key row



Select incremental jog positioning: Switch the INCREMENT soft key to ON

JOG INCREMENT =



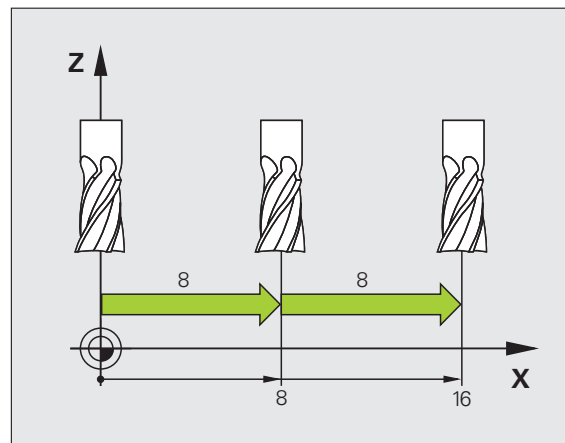
Enter the jog increment in mm, and confirm with the ENT key



Press the machine axis direction button as often as desired



The maximum permissible value for infeed is 10 mm.



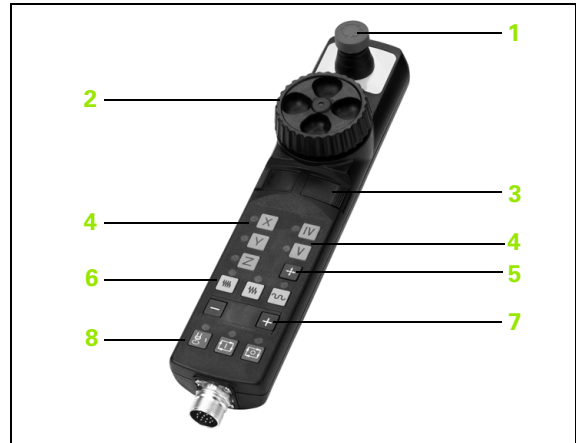
Traversing with the HR 410 electronic handwheel

The portable HR 410 handwheel is equipped with two permissive buttons. The permissive buttons are located below the star grip.

You can only move the machine axes when a permissive button is depressed (machine-dependent function).

The HR 410 handwheel features the following operating elements:







- 1 EMERGENCY STOP button
- 2 Handwheel
- 3 Permissive buttons
- 4 Axis address keys
- 5 Actual-position-capture key
- 6 Keys for defining the feed rate (slow, medium, fast; the feed rates are set by the machine tool builder)
- 7 Direction in which the TNC moves the selected axis
- 8 Machine function (set by the machine tool builder)



The red indicator lights show the axis and feed rate you have selected.

It is also possible to move the machine axes with the handwheel during program run if **M118** is active.

Procedure

-  Select the El. Handwheel operating mode
-  Press and hold a permissive button
-  Select the axis
-  Select the feed rate
-  Move the active axis in the positive direction, or
-  Move the active axis in the negative direction



14.3 Spindle Speed S, Feed Rate F and Miscellaneous Functions M

Application

In the Manual Operation and El. Handwheel operating modes, you can enter the spindle speed S, feed rate F and the miscellaneous functions M with soft keys. The miscellaneous functions are described in Chapter 7 "Programming: Miscellaneous Functions."



The machine tool builder determines which miscellaneous functions M are available on your control and what effects they have.

Entering values

Spindle speed S, miscellaneous function M



Enter the spindle speed: Press the S soft key

SPINDLE SPEED S =

1000



Enter the desired spindle speed and confirm your entry with the machine START button

The spindle speed S with the entered rpm is started with a miscellaneous function M. Proceed in the same way to enter a miscellaneous function M.

Feed rate F

After entering a feed rate F, you must confirm your entry with the ENT key instead of the machine START button.

The following is valid for feed rate F:

- If you enter F=0, then the lowest feed rate from the machine parameter **manualFeed** is effective.
- If the feed rate entered exceeds the value defined in the machine parameter **maxFeed**, then the parameter value is effective.
- F is not lost during a power interruption



Changing the spindle speed and feed rate

With the override knobs you can vary the spindle speed S and feed rate F from 0 % to 150 % of the set value.



The override knob for spindle speed is only functional on machines with infinitely variable spindle drive.



Activating feed-rate limitation



The feed-rate limit depends on the machine. The machine tool manual provides further information.

When the F LIMITED soft key is set to ON, the TNC limits the maximum permissible axis speed to the safely limited speed specified by the machine manufacturer.



- ▶ Select the **Manual Operation** mode



- ▶ Scroll to the last soft-key row



- ▶ Switch on/off feed rate limit



14.4 Datum Setting without a 3-D Touch Probe

Note



Datum setting with a 3-D touch probe: (see "Datum Setting with a 3-D Touch Probe" on page 463).

You fix a datum by setting the TNC position display to the coordinates of a known position on the workpiece.

Preparation

- ▶ Clamp and align the workpiece
- ▶ Insert the zero tool with known radius into the spindle
- ▶ Ensure that the TNC is showing the actual position values



Workpiece presetting with axis keys

**Protective measure**

If the workpiece surface must not be scratched, you can lay a metal shim of known thickness d on it. Then enter a tool axis datum value that is larger than the desired datum by the value d .



Select the **Manual Operation** mode



Move the tool slowly until it touches (scratches) the workpiece surface



Select the axis

DATUM SETTING Z=

ENT

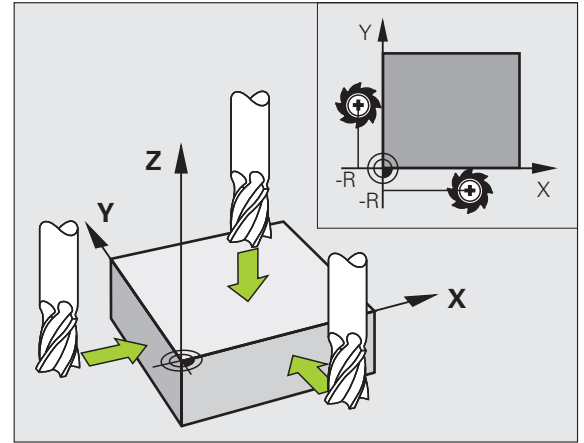
Zero tool in spindle axis: Set the display to a known workpiece position (here, 0) or enter the thickness d of the shim. In the tool axis, offset the tool radius

Repeat the process for the remaining axes.

If you are using a preset tool, set the display of the tool axis to the length L of the tool or enter the sum $Z=L+d$



The TNC automatically saves the datum set with the axis keys in line 0 of the preset table.



Datum management with the preset table



You should definitely use the preset table if:

- Your machine is equipped with rotary axes (tilting table or swivel head) and you work with the function for tilting the working plane
- Your machine is equipped with a spindle-head changing system
- Up to now you have been working with older TNC controls with REF-based datum tables
- You wish to machine identical workpieces that are differently aligned

The preset table can contain any number of lines (datums). To optimize the file size and the processing speed, you should use only as many lines as you need for datum management.

For safety reasons, new lines can be inserted only at the end of the preset table.

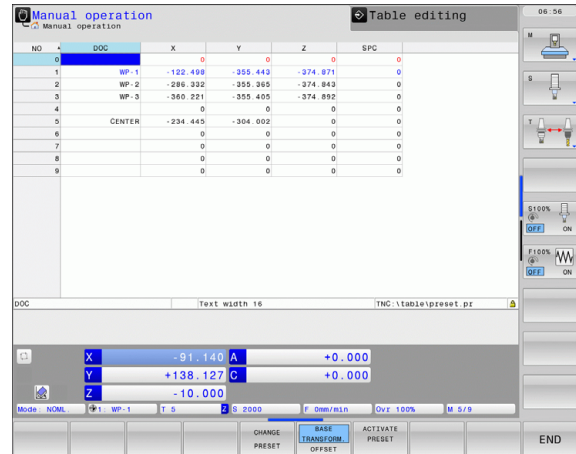
Saving the datums in the preset table

The preset table has the name **PRESET.PR**, and is saved in the directory **TNC:\table**. **PRESET.PR** is editable in the **Manual Operation** and **E1. Handwheel** modes only if the **CHANGE PRESET** soft key was pressed.

It is permitted to copy the preset table into another directory (for data backup). Lines that were written by your machine tool builder are also always write-protected in the copied tables. You therefore cannot edit them.

Never change the number of lines in the copied tables! That could cause problems when you want to reactivate the table.

To activate the preset table copied to another directory you have to copy it back to the directory **TNC:\table**.



There are several methods for saving datums and/or basic rotations in the preset table:

- Through probing cycles in the **Manual Operation** or **E1. Handwheel** modes (see Chapter 14)
- Through the probing cycles 400 to 402 and 410 to 419 in automatic mode (see User's Manual, Cycles, Chapters 14 and 15)
- Manual entry (see description below)



Basic rotations from the preset table rotate the coordinate system about the preset, which is shown in the same line as the basic rotation.

Remember to ensure that the position of the tilting axes matches the corresponding values of the 3-D ROT menu when setting the datum. Therefore:

- If the "Tilt working plane" function is not active, the position display for the rotary axes must be = 0° (zero the rotary axes if necessary).
- If the "Tilt working plane" function is active, the position displays for the rotary axes must match the angles entered in the 3-D ROT menu.

The line 0 in the preset table is write protected. In line 0, the TNC always saves the datum that you most recently set manually via the axis keys or via soft key. If the datum set manually is active, the TNC displays the text **PR MAN(0)** in the status display.



Manually saving the datums in the preset table

In order to set datums in the preset table, proceed as follows:



Select the **Manual Operation** mode



Move the tool slowly until it touches (scratches) the workpiece surface, or position the measuring dial correspondingly



Display the preset table: The TNC opens the preset table and sets the cursor to the active table row



Select functions for entering the presets: The TNC displays the available possibilities for entry in the soft-key row. See the table below for a description of the entry possibilities



Select the line in the preset table that you want to change (the line number is the preset number)









If needed, select the column (axis) in the preset table that you want to change




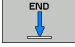



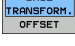

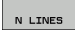

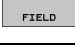
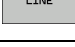
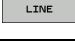
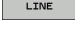
Use the soft keys to select one of the available entry possibilities (see the following table)



Function	Soft key
Directly transfer the actual position of the tool (the measuring dial) as the new datum: This function only saves the datum in the axis which is currently highlighted	
Assign any value to the actual position of the tool (the measuring dial): This function only saves the datum in the axis which is currently highlighted. Enter the desired value in the pop-up window	
Incrementally shift a datum already stored in the table: This function only saves the datum in the axis which is currently highlighted. Enter the desired corrective value with the correct sign in the pop-up window. If inch display is active: enter the value in inches, and the TNC will internally convert the entered values to mm	
Directly enter the new datum without calculation of the kinematics (axis-specific). Only use this function if your machine has a rotary table, and you want to set the datum to the center of the rotary table by entering 0. This function only saves the datum in the axis which is currently highlighted. Enter the desired value in the pop-up window. If inch display is active: enter the value in inches, and the TNC will internally convert the entered values to mm	
Select the BASIC TRANSFORMATION/AXIS OFFSET view. The BASIC TRANSFORMATION view shows the X, Y and Z columns. Depending on the machine, the SPA, SPB and SPC columns are displayed additionally. Here, the TNC saves the basic rotation (for the Z tool axis, the TNC uses the SPC column). The OFFSET view shows the offset values for the preset	
Write the currently active datum to a selectable line in the table: This function saves the datum in all axes, and then activates the appropriate row in the table automatically. If inch display is active: enter the value in inches, and the TNC will internally convert the entered values to mm	



Editing the preset table

Editing function in table mode	Soft key
Select beginning of table	
Select end of table	
Select previous page in table	
Select next page in table	
Select the functions for preset entry	
Display the "Basic Transformation/Axis Offset" selection	
Activate the datum of the selected line of the preset table	
Add the entered number of lines to the end of the table (2nd soft-key row)	
Copy the highlighted field (2nd soft-key row)	
Insert the copied field (2nd soft-key row)	
Reset the selected line: The TNC enters – in all columns (2nd soft-key row)	
Insert a single line at the end of the table (2nd soft-key row)	
Delete a single line at the end of the table (2nd soft-key row)	



Activating a datum from the preset table in the Manual Operation mode



When activating a datum from the preset table, the TNC resets the active datum shift, mirroring, rotation and scaling factor.

However, a coordinate transformation that was programmed in Cycle 19 Tilted Working Plane, or through the PLANE function, remains active.



Select the **Manual Operation** mode



Display the preset table



Select the datum number you want to activate, or



With the GOTO key, select the datum number that you want to activate. Confirm with the ENT key



Activate the preset



Confirm activation of the datum. The TNC sets the display and—if defined—the basic rotation



Exit the preset table

Activating a datum from the preset table in an NC program

To activate datums from the preset table during program run, use Cycle 247. In Cycle 247 you define the number of the datum that you want to activate (see User's Manual, Cycles, Cycle 247 SET DATUM).



14.5 Using the 3-D Touch Probe



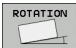




Overview

The following touch probe cycles are available in the Manual Operation mode:



HEIDENHAIN only gives warranty for the function of the probing cycles if HEIDENHAIN touch probes are used.

If you use probing functions in a tilted working plane, you must set 3-D ROT to **Active** for the Manual Operation and Automatic operating modes.

Function	Soft key	Page
Calibrate the effective length		Page 458
Calibrate the effective radius		Page 459
Measure a basic rotation using a line		Page 462
Set the datum in any axis		Page 463
Setting a corner as datum		Page 464
Setting a circle center as datum		Page 465
Touch probe system data management		See User's Manual for Cycles



For more information about the touch probe table, refer to the User's Manual for Cycle Programming.

Selecting touch probe cycles

- ▶ Select the Manual Operation or El. Handwheel mode of operation



- ▶ Select the touch probe functions by pressing the TOUCH PROBE soft key. The TNC displays additional soft keys: see table above



- ▶ Select the touch probe cycle by pressing the appropriate soft key, for example PROBING ROT for the TNC to display the associated menu



Writing the measured values from touch probe cycles in datum tables



Use this function if you want to save measured values in the workpiece coordinate system. If you want to save measured values in the fixed machine coordinate system (REF coordinates), press the ENTER IN PRESET TABLE soft key (see "Writing the measured values from touch probe cycles in the preset table" on page 456).

With the ENTER IN DATUM TABLE soft key, the TNC can write the values measured during a touch probe cycle in a datum table:

- ▶ Select any probe function
- ▶ Enter the desired coordinates of the datum in the appropriate input boxes (depends on the touch probe cycle being run)
- ▶ Enter the datum number in the **Number in table=** input box
- ▶ Press the ENTER IN DATUM TABLE soft key. The TNC saves the datum in the indicated datum table under the entered number

Writing the measured values from touch probe cycles in the preset table



Use this function if you want to save measured values in the machine-based coordinate system (REF coordinates). If you want to save measured values in the workpiece coordinate system, press the ENTER IN DATUM TABLE soft key (see "Writing the measured values from touch probe cycles in datum tables" on page 456).

With the ENTER IN PRESET TABLE soft key, the TNC can write the values measured during a probe cycle in the preset table. The measured values are then stored referenced to the machine-based coordinate system (REF coordinates). The preset table has the name PRESET.PR, and is saved in the directory TNC:\table\.

- ▶ Select any probe function
- ▶ Enter the desired coordinates of the datum in the appropriate input boxes (depends on the touch probe cycle being run)
- ▶ Enter the preset number in the **Number in table:** input box
- ▶ Press the ENTER IN PRESET TABLE soft key. The TNC saves the datum in the preset table under the entered number



14.6 Calibrating a 3-D Touch Probe

Introduction

In order to precisely specify the actual trigger point of a 3-D touch probe, you must calibrate the touch probe, otherwise the TNC cannot provide precise measuring results.



Always calibrate a touch probe in the following cases:

- Commissioning
- Stylus breakage
- Stylus exchange
- Change in the probe feed rate
- Irregularities caused, for example, when the machine heats up
- Change of active tool axis

During calibration, the TNC finds the "effective" length of the stylus and the "effective" radius of the ball tip. To calibrate the 3-D touch probe, clamp a ring gauge of known height and known internal radius to the machine table.



Calibrating the effective length



HEIDENHAIN only gives warranty for the function of the probing cycles if HEIDENHAIN touch probes are used.

If you use probing functions in a tilted working plane, you must set 3-D ROT to **Active** for the Manual Operation and Automatic operating modes.

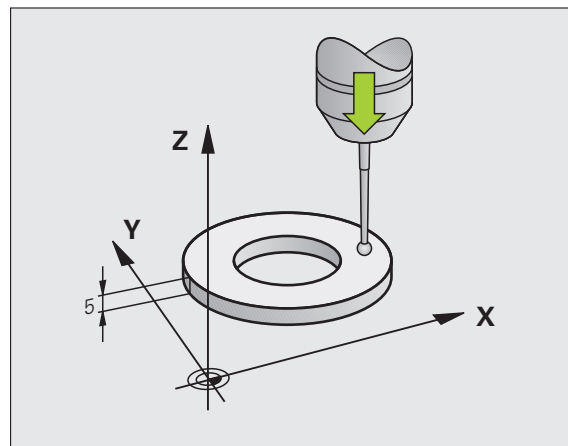


The effective length of the touch probe is always referenced to the tool datum. The machine tool builder usually defines the spindle tip as the tool datum.

- ▶ Set the datum in the spindle axis such that for the machine tool table Z=0



- ▶ To select the calibration function for the touch probe length, press the TOUCH PROBE and CAL. L soft keys. The TNC then displays a menu window with four input fields
- ▶ Enter the tool axis (with the axis key)
- ▶ **Datum:** Enter the height of the ring gauge
- ▶ **Effective ball radius** and **Effective length** do not require input
- ▶ Move the touch probe to a position just above the ring gauge
- ▶ To change the traverse direction (if necessary), press a soft key or an arrow key
- ▶ To probe the upper surface of the ring gauge, press the machine START button



Calibrating the effective radius and compensating center misalignment



HEIDENHAIN only gives warranty for the function of the probing cycles if HEIDENHAIN touch probes are used.

If you use probing functions in a tilted working plane, you must set 3-D ROT to **Active** for the Manual Operation and Automatic operating modes.

After the touch probe is inserted, it normally needs to be aligned exactly with the spindle axis. The calibration function determines the misalignment between touch probe axis and spindle axis and computes the compensation.

The calibration routine varies depending on the entry in the TRACK column of the touch probe table (spindle orientation active/inactive). If the function for orienting the infrared touch probe to the programmed probe direction is active, the calibration cycle is executed after you have pressed NC Start once. If the function is not active, you can decide whether you want to compensate the center misalignment by calibrating the effective radius.

The TNC rotates the 3-D touch probe by 180° for calibrating the center misalignment. The rotation is initiated by a miscellaneous function that is set by the machine tool builder in Machine Parameter mStrobeUTurn.

Proceed as follows for manual calibration:

- ▶ In the Manual Operation mode, position the ball tip in the bore of the ring gauge



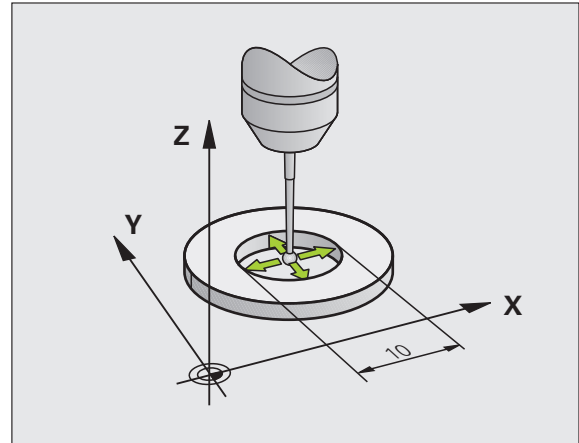
- ▶ Select the calibration function for the ball-tip radius and the touch probe center misalignment: Press the CAL. R soft key
- ▶ Select the tool axis and enter the radius of the ring gauge
- ▶ To probe the workpiece, press the machine START button four times. The 3-D touch probe contacts a position on the hole in each axis direction and calculates the effective ball-tip radius
- ▶ If you want to terminate the calibration function at this point, press the END soft key



In order to be able to determine ball-tip center misalignment, the TNC needs to be specially prepared by the machine manufacturer. The machine tool manual provides further information.



- ▶ If you want to determine the ball-tip center misalignment, press the 180° soft key. The TNC rotates the touch probe by 180°
- ▶ To probe the workpiece, press the machine START button four times. The 3-D touch probe contacts a position on the hole in each axis direction and calculates the ball-tip center misalignment



Displaying calibration values

The TNC saves the effective length and effective radius of the touch probe in the tool table. The TNC saves the ball-tip center misalignment in the touch-probe table, in the **CAL_OF1** (principal axis) and **CAL_OF2** (minor axis) columns. You can display the values on the screen by pressing the TOUCH-PROBE TABLE soft key.

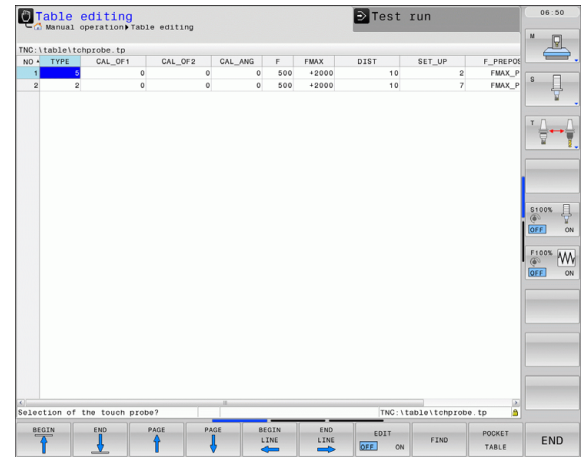


Make sure that you have activated the correct tool number before using the touch probe, regardless of whether you wish to run the touch probe cycle in automatic mode or manual mode.

The determined calibration values are not considered until a tool is called (or called again, if required).



For more information about the touch probe table, refer to the User's Manual for Cycle Programming.



14.7 Compensating Workpiece Misalignment with a 3-D Touch Probe

Introduction



HEIDENHAIN only gives warranty for the function of the probing cycles if HEIDENHAIN touch probes are used.

If you use probing functions in a tilted working plane, you must set 3-D ROT to **Active** for the Manual Operation and Automatic operating modes.

The TNC electronically compensates workpiece misalignment by computing a "basic rotation."

For this purpose, the TNC sets the rotation angle to the desired angle with respect to the reference axis in the working plane. See figure at right.

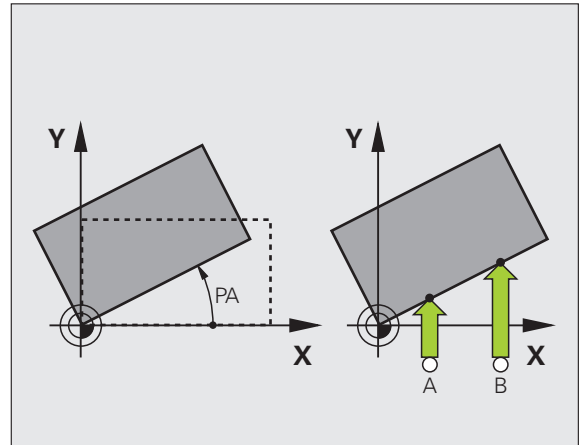
The TNC saves the basic rotation, depending on the tool axis, in the columns SPA, SPB or SPC of the preset table.



Select the probe direction perpendicular to the angle reference axis when measuring workpiece misalignment.

To ensure that the basic rotation is calculated correctly during program run, program both coordinates of the working plane in the first positioning block.

You can also use a basic rotation in conjunction with the PLANE function. In this case, first activate the basic rotation and then the PLANE function.



Measuring a basic rotation



- ▶ Select the probe function by pressing the PROBING ROT soft key
- ▶ Position the touch probe at a position near the first touch point
- ▶ Select the probe direction perpendicular to the angle reference axis: Select the axis by soft key
- ▶ To probe the workpiece, press the machine START button
- ▶ Position the touch probe at a position near the second touch point
- ▶ To probe the workpiece, press the machine START button. The TNC determines the basic rotation and displays the angle after the dialog **Rotation angle =**
- ▶ Activate basic rotation: Press the SET BASIC ROTATION soft key
- ▶ Terminate the probe function by pressing the END soft key

Saving a basic rotation in the preset table

- ▶ After the probing process, enter the preset number in which the TNC is to save the active basic rotation in the **Number in table:** input box
- ▶ Press the ENTRY IN PRESET TABLE soft key to save the basic rotation in the preset table

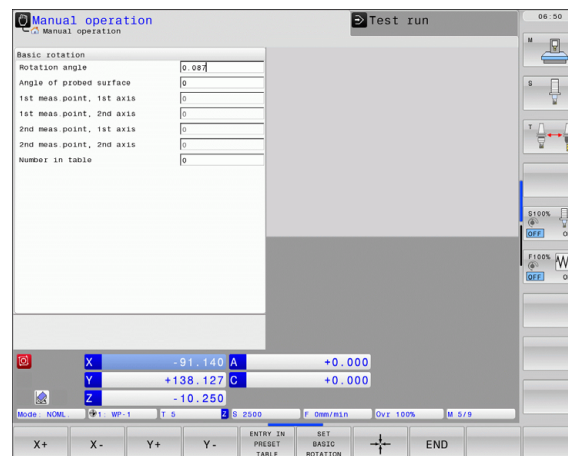
Displaying a basic rotation

The angle of the basic rotation appears after ROTATION ANGLE whenever PROBING ROT is selected. The TNC also displays the rotation angle in the additional status display (STATUS POS.)

In the status display a symbol is shown for a basic rotation whenever the TNC is moving the axes according to a basic rotation.

Canceling a basic rotation




- ▶ Select the probe function by pressing the PROBING ROT soft key
- ▶ Enter a rotation angle of zero and confirm with the SET BASIC ROTATION soft key
- ▶ Terminate the probe function by pressing the END soft key



14.8 Datum Setting with a 3-D Touch Probe

Overview

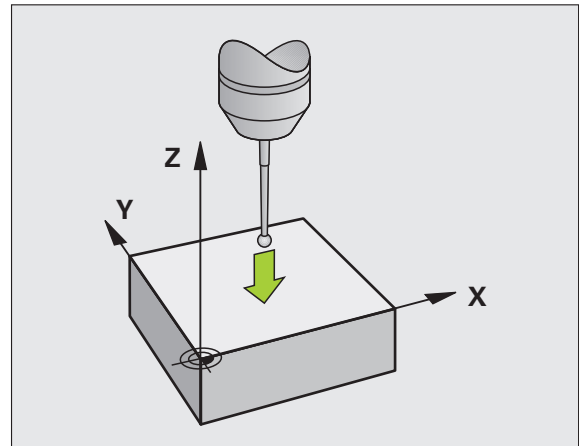
The following soft-key functions are available for setting the datum on an aligned workpiece:

Soft key	Function	Page
	Datum setting in any axis	Page 463
	Setting a corner as datum	Page 464
	Setting a circle center as datum	Page 465

Datum setting in any axis



- ▶ Select the probe function by pressing the PROBING POS soft key
- ▶ Move the touch probe to a position near the touch point
- ▶ Use the soft keys to select the probe axis and direction in which you want to set the datum, such as Z in direction Z-
- ▶ To probe the workpiece, press the machine START button
- ▶ **Datum:** Enter the nominal coordinate and confirm your entry with the SET DATUM soft key, see "Writing the measured values from touch probe cycles in datum tables", page 456
- ▶ To terminate the probe function, press the END soft key



HEIDENHAIN only gives warranty for the function of the probing cycles if HEIDENHAIN touch probes are used.

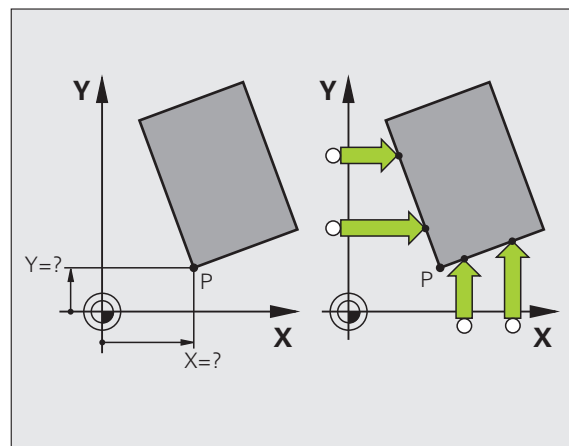
If you use probing functions in a tilted working plane, you must set 3-D ROT to **Active** for the Manual Operation and Automatic operating modes.



Corner as datum



- ▶ Select the probe function: Press the PROBING P soft key
- ▶ Position the touch probe near the first touch point on the first workpiece edge
- ▶ Select the probe direction by soft key
- ▶ To probe the workpiece, press the machine START button
- ▶ Position the touch probe near the second touch point on the same workpiece edge
- ▶ To probe the workpiece, press the machine START button
- ▶ Position the touch probe near the first touch point on the second workpiece edge
- ▶ Select the probe direction by soft key
- ▶ To probe the workpiece, press the machine START button
- ▶ Position the touch probe near the second touch point on the same workpiece edge
- ▶ To probe the workpiece, press the machine START button
- ▶ **Datum:** Enter both datum coordinates into the menu window, and confirm your entry with the SET DATUM soft key, or see "Writing the measured values from touch probe cycles in the preset table", page 456
- ▶ To terminate the probe function, press the END soft key



HEIDENHAIN only gives warranty for the function of the probing cycles if HEIDENHAIN touch probes are used.

If you use probing functions in a tilted working plane, you must set 3-D ROT to **Active** for the Manual Operation and Automatic operating modes.



Circle center as datum

With this function, you can set the datum at the center of bore holes, circular pockets, cylinders, studs, circular islands, etc.

Inside circle:

The TNC automatically probes the inside wall in all four coordinate axis directions.

For incomplete circles (circular arcs) you can choose the appropriate probing direction.

- ▶ Position the touch probe approximately in the center of the circle



- ▶ Select the probe function: Press the PROBING CC soft key
- ▶ To probe the workpiece, press the machine START button four times. The touch probe touches four points on the inside of the circle
- ▶ **Datum:** In the menu window, enter both coordinates of the circle center, confirm with the SET DATUM soft key, or write the values to a table (see "Writing the measured values from touch probe cycles in datum tables", page 456, or see "Writing the measured values from touch probe cycles in the preset table", page 456)
- ▶ To terminate the probe function, press the END soft key

Outside circle:

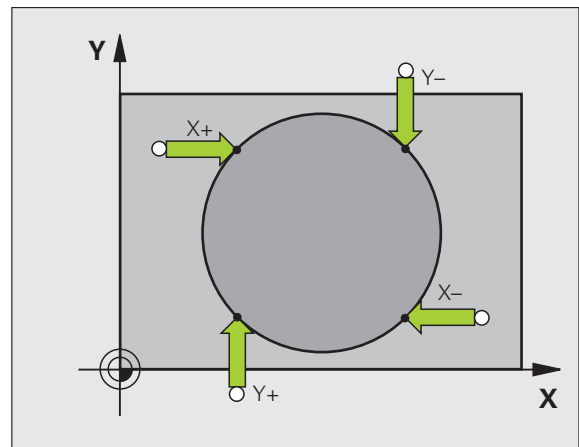
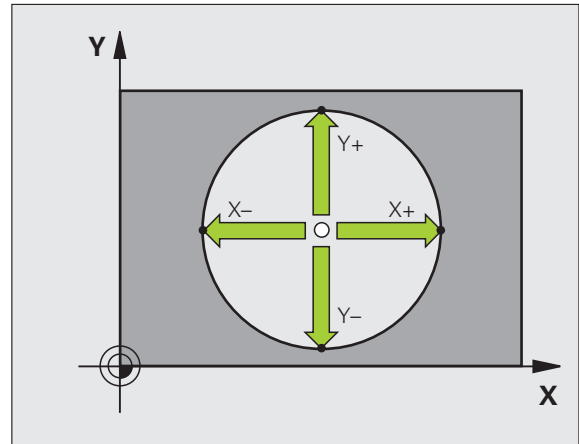
- ▶ Position the touch probe at a position near the first touch point outside of the circle
- ▶ Select the probe direction by soft key
- ▶ To probe the workpiece, press the machine START button
- ▶ Repeat the probing process for the remaining three points. See figure at lower right
- ▶ **Datum:** Enter the coordinates of the datum and confirm your entry with the SET DATUM soft key, or write the values to a table (see "Writing the measured values from touch probe cycles in datum tables", page 456, or see "Writing the measured values from touch probe cycles in the preset table", page 456)
- ▶ To terminate the probe function, press the END soft key

After the probing procedure is completed, the TNC displays the coordinates of the circle center and the circle radius PR



HEIDENHAIN only gives warranty for the function of the probing cycles if HEIDENHAIN touch probes are used.

If you use probing functions in a tilted working plane, you must set 3-D ROT to **Active** for the Manual Operation and Automatic operating modes.



Measuring workpieces with a 3-D touch probe

You can also use the touch probe in the Manual Operation and EI. Handwheel operating modes to make simple measurements on the workpiece. Numerous programmable probe cycles are available for complex measuring tasks (see User's Manual, Cycles, Chapter 16, Checking workpieces automatically). With a 3-D touch probe you can determine:

- Position coordinates, and from them,
- Dimensions and angles on the workpiece

Finding the coordinates of a position on an aligned workpiece



- ▶ Select the probe function by pressing the PROBING POS soft key
- ▶ Move the touch probe to a position near the touch point
- ▶ Select the probe direction and axis of the coordinate. Use the corresponding soft keys for selection
- ▶ To probe the workpiece, press the machine START button

The TNC shows the coordinates of the touch point as reference point

Finding the coordinates of a corner in the working plane

Find the coordinates of the corner point: See "Corner as datum" on page 464. The TNC displays the coordinates of the probed corner as reference point.



Measuring workpiece dimensions



- ▶ Select the probe function by pressing the PROBING POS soft key
- ▶ Position the touch probe at a position near the first touch point A
- ▶ Select the probing direction by soft key
- ▶ To probe the workpiece, press the machine START button
- ▶ If you need the current datum later, write down the value that appears in the Datum display
- ▶ Datum: Enter "0"
- ▶ To terminate the dialog, press the END key
- ▶ Select the probe function by pressing the PROBING POS soft key
- ▶ Position the touch probe at a position near the second touch point B
- ▶ Select the probe direction with the soft keys: Same axis but from the opposite direction
- ▶ To probe the workpiece, press the machine START button

The value displayed as datum is the distance between the two points on the coordinate axis.

To return to the datum that was active before the length measurement:

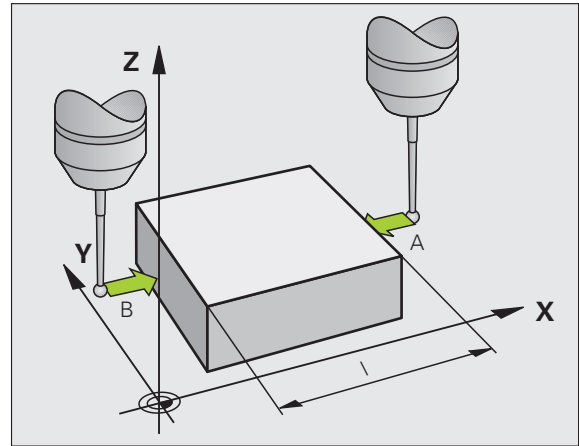
- ▶ Select the probe function by pressing the PROBING POS soft key
- ▶ Probe the first touch point again
- ▶ Set the datum to the value that you wrote down previously
- ▶ To terminate the dialog, press the END key

To measure angles:

You can use the 3-D touch probe to measure angles in the working plane. You can measure

- the angle between the angle reference axis and a workpiece edge, or
- the angle between two sides

The measured angle is displayed as a value of maximum 90°.



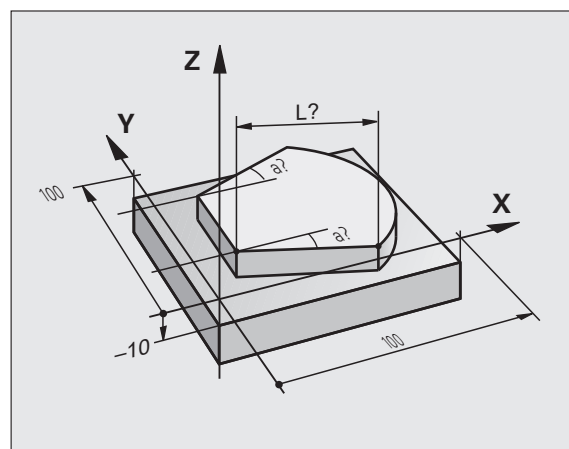
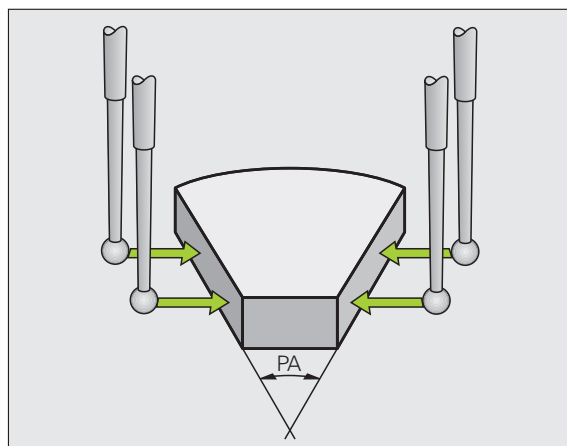
Finding the angle between the angle reference axis and a workpiece edge



- ▶ Select the probe function by pressing the PROBING ROT soft key
- ▶ Rotation angle: If you need the current basic rotation later, write down the value that appears under Rotation angle
- ▶ Make a basic rotation with workpiece edge to be compared (see "Compensating Workpiece Misalignment with a 3-D Touch Probe" on page 461)
- ▶ Press the PROBING ROT soft key to display the angle between the angle reference axis and the workpiece edge as the rotation angle
- ▶ Cancel the basic rotation, or restore the previous basic rotation
- ▶ This is done by setting the rotation angle to the value that you previously wrote down

To measure the angle between two workpiece edges:

- ▶ Select the probe function by pressing the PROBING ROT soft key
- ▶ Rotation angle: If you need the current basic rotation later, write down the displayed rotation angle
- ▶ Make a basic rotation with first workpiece edge (see "Compensating Workpiece Misalignment with a 3-D Touch Probe" on page 461)
- ▶ Probe the second edge as for a basic rotation, but do not set the rotation angle to zero!
- ▶ Press the PROBING ROT soft key to display the angle PA between the workpiece edges as the rotation angle
- ▶ Cancel the basic rotation, or restore the previous basic rotation by setting the rotation angle to the value that you wrote down previously



Using touch probe functions with mechanical probes or dial gauges

If you do not have an electronic 3-D touch probe on your machine, you can also use all the previously described manual touch probe functions (exception: calibration function) with mechanical probes or by simply touching the workpiece with the tool.

In place of the electronic signal generated automatically by a 3-D touch probe during probing, you can manually initiate the trigger signal for capturing the **probing position** by pressing a key. Proceed as follows:



- ▶ Select any touch probe function by soft key
- ▶ Move the mechanical probe to the first position to be captured by the TNC



- ▶ Confirm the position: Press the actual-position-capture soft key for the TNC to save the current position
- ▶ Move the mechanical probe to the next position to be captured by the TNC



- ▶ Confirm the position: Press the actual-position-capture soft key for the TNC to save the current position
- ▶ If required, move to additional positions and capture as described previously
- ▶ **Datum:** In the menu window, enter the coordinates of the new datum, confirm with the SET DATUM soft key, or write the values to a table (see "Writing the measured values from touch probe cycles in datum tables", page 456, or see "Writing the measured values from touch probe cycles in the preset table", page 456)
- ▶ To terminate the probe function, press the END key



14.9 Tilting the Working Plane (Software Option 1)

Application, function



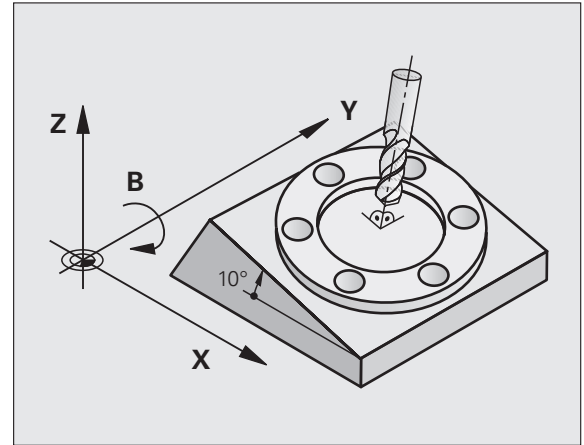
The functions for tilting the working plane are interfaced to the TNC and the machine tool by the machine tool builder. With some swivel heads and tilting tables, the machine tool builder determines whether the entered angles are interpreted as coordinates of the rotary axes or as angular components of a tilted plane. Refer to your machine manual.

The TNC supports the tilting functions on machine tools with swivel heads and/or tilting tables. Typical applications are, for example, oblique holes or contours in an oblique plane. The working plane is always tilted around the active datum. The program is written as usual in a main plane, such as the X/Y plane, but is executed in a plane that is tilted relative to the main plane.

There are three functions available for tilting the working plane:

- Manual tilting with the 3-D ROT soft key in the Manual Operation mode and Electronic Handwheel mode, see "Activating manual tilting", page 473
- Tilting under program control, Cycle **19 WORKING PLANE** in the part program (see User's Manual, Cycles, Cycle 19 WORKING PLANE)
- Tilting under program control, **PLANE** function in the part program (see "The PLANE Function: Tilting the Working Plane (Software Option 1)" on page 363)

The TNC functions for "tilting the working plane" are coordinate transformations. The working plane is always perpendicular to the direction of the tool axis.



When tilting the working plane, the TNC differentiates between two machine types:

■ **Machine with tilting table**

- You must tilt the workpiece into the desired position for machining by positioning the tilting table, for example with an L block.
- The position of the transformed tool axis **does not change** in relation to the machine-based coordinate system. Thus if you rotate the table—and therefore the workpiece—by 90° for example, the coordinate system **does not rotate**. If you press the Z+ axis direction button in the Manual Operation mode, the tool moves in Z+ direction.
- In calculating the transformed coordinate system, the TNC considers only the mechanically influenced offsets of the particular tilting table (the so-called "translational" components).

■ **Machine with swivel head**

- You must bring the tool into the desired position for machining by positioning the swivel head, for example with an L block.
- The position of the transformed tool axis changes in relation to the machine-based coordinate system. Thus if you rotate the swivel head of your machine—and therefore the tool—in the B axis by 90° for example, the coordinate system rotates also. If you press the Z+ axis direction button in the Manual Operation mode, the tool moves in X+ direction of the machine-based coordinate system.
- In calculating the transformed coordinate system, the TNC considers both the mechanically influenced offsets of the particular swivel head (the so-called "translational" components) and offsets caused by tilting of the tool (3-D tool length compensation).



Traversing reference points in tilted axes

The TNC automatically activates the tilted working plane if this function was enabled when the control was switched off. Then the TNC moves the axes in the tilted coordinate system when an axis-direction key is pressed. Position the tool in such a way that a collision is excluded during the subsequent crossing of the reference points. To cross the reference points you have to deactivate the "Tilt Working Plane" function, see "Activating manual tilting", page 473.



Danger of collision!

Be sure that the function for tilting the working plane is active in the Manual Operation mode and that the angle values entered in the menu match the actual angles of the tilted axis.

Deactivate the "Tilt Working Plane" function before you cross the reference points. Take care that there is no collision. Retract the tool from the current position first, if necessary.

Position display in a tilted system

The positions displayed in the status window (**ACTL.** and **NOML.**) are referenced to the tilted coordinate system.

Limitations on working with the tilting function

- The probing function for basic rotation is not available if you have activated the working plane function in the Manual Operation mode.
- The actual-position-capture function is not allowed if the tilted working plane function is active.
- PLC positioning (determined by the machine tool builder) is not possible.



Activating manual tilting



To select manual tilting, press the 3-D ROT soft key



Use the arrow keys to move the highlight to the **Manual Operation** menu item



To activate manual tilting, press the ACTIVE soft key




Use the arrow keys to position the highlight on the desired rotary axis

Enter the tilt angle

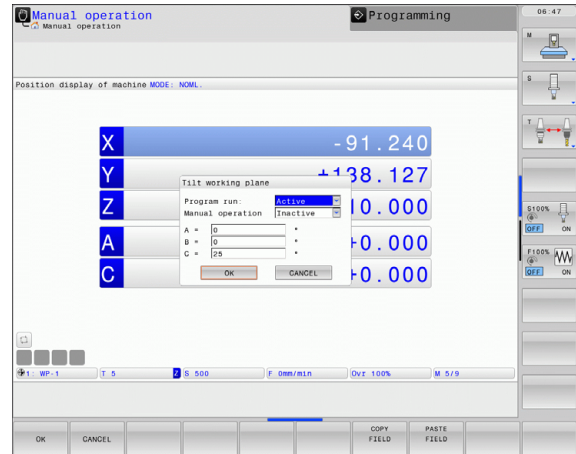


To conclude entry, press the END key

To reset the tilting function, set the desired operating modes in the menu "Tilt working plane" to inactive.

If the tilted working plane function is active and the TNC moves the machine axes in accordance with the tilted axes, the status display shows the  symbol.

If you activate the "Tilt working plane" function for the Program Run operating mode, the tilt angle entered in the menu becomes active in the first block of the part program. If you use Cycle **19 WORKING PLANE** or the **PLANE** function in the part program, the angle values defined there are in effect. Angle values entered in the menu will be overwritten.



Setting the current tool-axis direction as the active machining direction



This function must be enabled by your machine manufacturer. Refer to your machine manual.

In the Manual Operation and EI. Handwheel modes of operation you can use this function to move the tool via the external direction keys or with the handwheel in the direction that the tool axis is currently pointed. Use this function if

- You want to retract the tool in the direction of the tool axis during program interrupt of a 5-axis machining program.
- You want to machine with an inclined tool using the handwheel or the external direction keys in the Manual Operation mode.



To select manual tilting, press the 3-D ROT soft key



Use the arrow keys to move the highlight to the **Manual Operation** menu item




To activate the current tool-axis direction as the active machining direction, press the TOOL AXIS soft key.



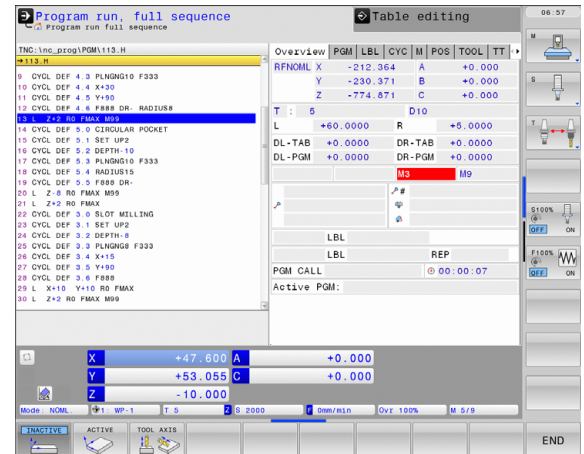
To conclude entry, press the END key

To reset the tilting function, set the **Manual Operation** menu item in the "Tilt working plane" menu to inactive.

The  symbol appears in the status display when the **Move in tool-axis direction** function is active.



This function is even available when you interrupt program run and want to move the axes manually.



Setting the datum in a tilted coordinate system

After you have positioned the rotary axes, set the datum in the same manner as for a non-tilted system. The behavior of the TNC during datum setting depends on the setting in machine parameter

CfgPresetSettings/chkTiltingAxes:

■ **chkTiltingAxes: On**

With an active tilted working plane, the TNC checks during datum setting in the X, Y and Z axes whether the current coordinates of the rotary axes agree with the tilt angles that you defined (3-D ROT menu). If the tilted working plane function is not active, the TNC checks whether the rotary axes are at 0° (actual positions). If the positions do not agree, the TNC will display an error message.

■ **chkTiltingAxes: Off**

The TNC does not check whether the current coordinates of the rotary axes (actual positions) agree with the tilt angles that you defined.



Danger of collision!

Always set a reference point in all three reference axes.



14.9 Tilting the Working Plane (Software Option 1)





15

**Positioning with Manual
Data Input**



15.1 Programming and Executing Simple Machining Operations

The Positioning with Manual Data Input mode of operation is particularly convenient for simple machining operations or to pre-position the tool. It enables you to write a short program in HEIDENHAIN conversational programming or in ISO format, and execute it immediately. You can also call TNC cycles. The program is stored in the file \$MDI. In the Positioning with MDI mode of operation, the additional status displays can also be activated.

Positioning with Manual Data Input (MDI)



Limitation

The following functions are not available in the MDI mode:

- FK free contour programming
- Program section repeats
- Subprogramming
- Path compensation
- The programming graphics
- Program call **PGM CALL**
- The program-run graphics



Select the Positioning with MDI mode of operation. Program the file \$MDI as you wish

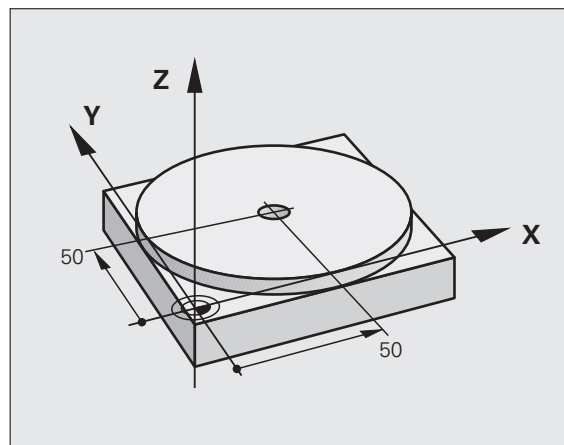


Start the program run: Press the machine START key

Example 1

A hole with a depth of 20 mm is to be drilled into a single workpiece. After clamping and aligning the workpiece and setting the datum, you can program and execute the drilling operation in a few lines.

First you pre-position the tool with straight-line blocks to the hole center coordinates at a setup clearance of 5 mm above the workpiece surface. Then drill the hole with Cycle **200 DRILLING**.



```
0 BEGIN PGM $MDI MM
```

```
1 TOOL CALL 1 Z S2000
```

```
2 L Z+200 R0 FMAX
```

```
3 L X+50 Y+50 R0 FMAX M3
```

Call the tool: tool axis Z

Spindle speed 2000 rpm

Retract the tool (F MAX = rapid traverse)

Move the tool at F MAX to a position above the hole, spindle on



4 CYCL DEF 200 DRILLING	Define the DRILLING cycle
Q200=5 ;SET-UP CLEARANCE	Set-up clearance of the tool above the hole
Q201=-15 ;DEPTH	Hole depth (algebraic sign=working direction)
Q206=250 ;FEED RATE FOR PLNGNG	Feed rate for drilling
Q202=5 ;PLUNGING DEPTH	Depth of each infeed before retraction
Q210=0 ;DWELL TIME AT TOP	Dwell time after every retraction in seconds
Q203=-10 ;SURFACE COORDINATE	Coordinate of the workpiece surface
Q204=20 ;2ND SET-UP CLEARANCE	Set-up clearance of the tool above the hole
Q211=0.2 ;DWELL TIME AT DEPTH	Dwell time in seconds at the hole bottom
5 CYCL CALL	Call the DRILLING cycle
6 L Z+200 R0 FMAX M2	Retract the tool
7 END PGM \$MDI MM	End of program

Straight-line function: See "Straight line L" on page 192, DRILLING cycle: See User's Manual, Cycles, Cycle 200 DRILLING.



Example 2: Correcting workpiece misalignment on machines with rotary tables

Use the 3-D touch probe to rotate the coordinate system. See "Touch Probe Cycles in the Manual Operation and EI. Handwheel modes of operation," section "Compensating workpiece misalignment," in the Touch Probe Cycles User's Manual.

Write down the rotation angle and cancel the basic rotation



Select operating mode: Positioning with MDI



IV

Select the rotary table axis, enter the rotation angle and feed rate you wrote down, for example: **L C+2.561 F50**



Conclude entry



Press the machine START button: The rotation of the table corrects the misalignment



Protecting and erasing programs in \$MDI

The \$MDI file is generally intended for short programs that are only needed temporarily. Nevertheless, you can store a program, if necessary, by proceeding as described below:



Select the Programming and Editing mode of operation



Press the PGM MGT key (program management) to call the file manager



Move the highlight to the \$MDI file



Select the file copying function: Press the COPY soft key

DESTINATION FILE =

HOLE

Enter the name under which you want to save the current contents of the \$MDI file



Copy the file



Close the file manager: Press the END soft key

For more information: see "Copying a single file", page 106.







HEIDENHAIN

Programmlauf Satzfolge

```
0 BEGIN PGM 17011 MM
1 BLK FORM 0.1 Z X-60
2 BLK FORM 0.2 X+130 Y
3 TOOL CALL 3 Z S3500
4 L X-50 Y-30 Z+20 R0
5 L X-30 Y-40 Z+10 RR
6 RND R20
7 L X+70 Y-60 Z-10
8 CT X+70 Y+30
```

```
0% S-IST
0% SCNDJ
+341.1650 Y
+0.000 +R -218.2860
+0.000 +0.000
```

16

**Test Run and
Program Run**



16.1 Graphics

Application

In the program run modes of operation as well as in the Test Run mode, the TNC graphically simulates the machining of the workpiece. Using soft keys, select whether you desire:

- Plan view
- Projection in three planes
- 3-D view
- 3-D line graphics

The TNC graphic depicts the workpiece as if it were being machined with a cylindrical end mill. If a tool table is active, you can also simulate the machining operation with a spherical cutter. For this purpose, enter $R2 = R$ in the tool table.

The TNC will not show a graphic if

- the current program has no valid workpiece blank definition
- no program is selected



The TNC graphic does not show a radius oversize **DR** that has been programmed in the **TOOL CALL** block.

A graphic simulation is only possible under certain conditions for program sections or programs in which rotary axis movements are defined. The graphic may not be displayed correctly by the TNC.



Setting the speed of the test run



The most recently set speed remains active, even if the power is interrupted, until you change it.

After you have started a program, the TNC displays the following soft keys with which you can set the simulation speed:

Functions	Soft key
Perform the test run at the same speed at which the program will be run (programmed feed rates are taken into account)	
Increase the test speed incrementally	
Decrease the test speed incrementally	
Test run at the maximum possible speed (default setting)	

You can also set the simulation speed before you start a program:



▶ Shift the soft-key row



▶ Select the function for setting the simulation speed



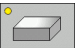
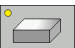
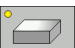


▶ Select the desired function by soft key, e.g. incrementally increasing the test speed



Overview of display modes

The TNC displays the following soft keys in the Program Run and Test Run modes of operation:

View	Soft key
Plan view	
Projection in three planes	
3-D view	
High resolution 3-D graphics	
3-D line graphics	

Limitations during program run



A graphical representation of a running program is not possible if the microprocessor of the TNC is already occupied with complicated machining tasks or if large areas are being machined. Example: Multipass milling over the entire blank form with a large tool. The TNC interrupts the graphics and displays the text **ERROR** in the graphics window. The machining process is continued, however.

In the test run graphics, the TNC does not depict multi-axis operations during machining. The error message **Axis cannot be shown** appears in the graphics window in such cases.

Plan view

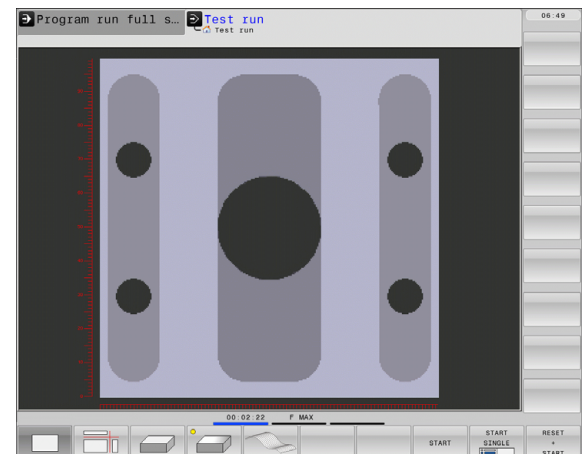
This is the fastest of the graphic display modes.



If your machine has a mouse, the status bar shows the depth of any location on the workpiece when you move the mouse pointer over it.



- ▶ Press the soft key for plan view
- ▶ Regarding depth display, remember: The deeper the surface, the darker the shade



Projection in 3 planes

Similar to a workpiece drawing, the part is displayed with a plan view and two sectional planes. A symbol to the lower left indicates whether the display is in first angle or third angle projection according to ISO 5456-2 (selected with MP7310).

Details can be isolated in this display mode for magnification (see "Magnifying details", page 490).

In addition, you can shift the sectional planes with the corresponding soft keys:



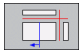
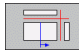
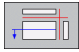
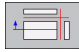
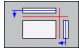
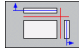
- ▶ Select the soft key for projection in three planes



- ▶ Shift the soft-key row until the soft key for the functions for shifting the sectional plane appears

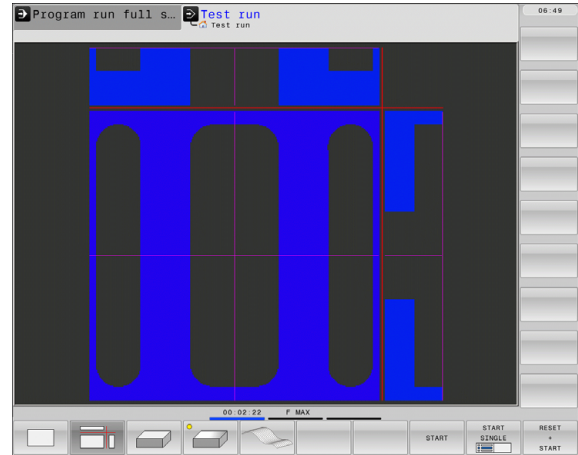


- ▶ Select the functions for shifting the sectional plane. The TNC offers the following soft keys:

Function	Soft keys
Shift the vertical sectional plane to the right or left	 
Shift the vertical sectional plane forward or backward	 
Shift the horizontal sectional plane upwards or downwards	 

The positions of the sectional planes are visible during shifting.

The default setting of the sectional plane is selected such that it lies in the working plane in the workpiece center and in the tool axis on the top surface.



3-D view

The workpiece is displayed in three dimensions.

You can rotate the 3-D display about the vertical and horizontal axes via soft keys. If there is a mouse attached to your TNC, you can also perform this function by holding down the right mouse button and dragging the mouse.

The shape of the workpiece can be depicted by a frame overlay at the beginning of the graphic simulation.

In the Test Run mode of operation you can isolate details for magnification, see "Magnifying details", page 490.



▶ Press the soft key for 3-D view

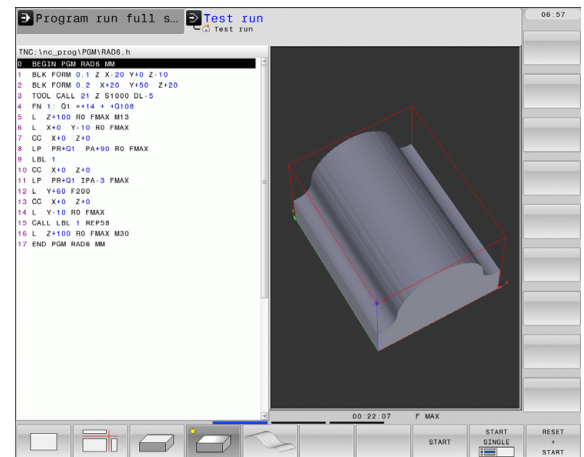
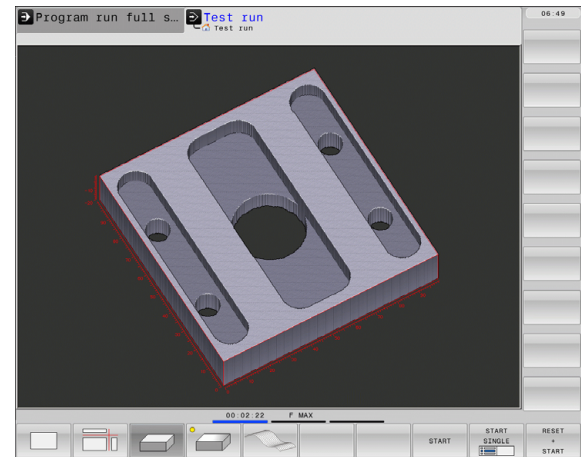
The high resolution 3-D view enables you to display the surface of the machined workpiece in greater detail. With a simulated light source, the TNC creates realistic light and shadow conditions.



▶ Select high resolution 3-D view with the soft key.



The speed of the 3-D graphics depends on the tooth length (**LCUTS** column in the tool table). If **LCUTS** is defined as 0 (basic setting), the simulation calculates an infinitely long tooth length, which leads to a long processing time.





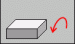
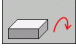



Rotating and magnifying/reducing the 3-D view



- ▶ Shift the soft-key row until the soft key for the rotating and magnification/reduction appears



- ▶ Select functions for rotating and magnifying/reducing:

Function	Soft keys
Rotate in 5° steps about the vertical axis	 
Tilt in 5° steps about the horizontal axis	 
Magnify the graphic stepwise. If the view is magnified, the TNC shows the letter Z in the footer of the graphic window	
Reduce the graphic stepwise. If the view is reduced, the TNC shows the letter Z in the footer of the graphic window	
Reset image to programmed size	

If there is a mouse attached to your TNC, you can also perform the functions described above with the mouse:

- ▶ In order to rotate the graphic shown in three dimensions: Hold the right mouse button down and move the mouse. After you release the right mouse button, the TNC orients the workpiece to the defined orientation
- ▶ In order to shift the graphic shown: Hold the center mouse button or the wheel button down and move the mouse. The TNC shifts the workpiece in the corresponding direction. After you release the center mouse button, the TNC shifts the workpiece to the defined position
- ▶ In order to zoom in on a certain area with the mouse: Draw a rectangular zoom area while holding the left mouse button down. After you release the left mouse button, the TNC zooms in on the defined area of the workpiece
- ▶ In order to quickly zoom in and out with the mouse: Rotate the wheel button forward or backward





Magnifying details








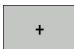
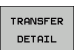
You can magnify details in all display modes in the Test Run mode and a Program Run mode.

The graphic simulation or the program run, respectively, must first have been stopped. A detail magnification is always effective in all display modes.

Changing the detail magnification

The soft keys are listed in the table

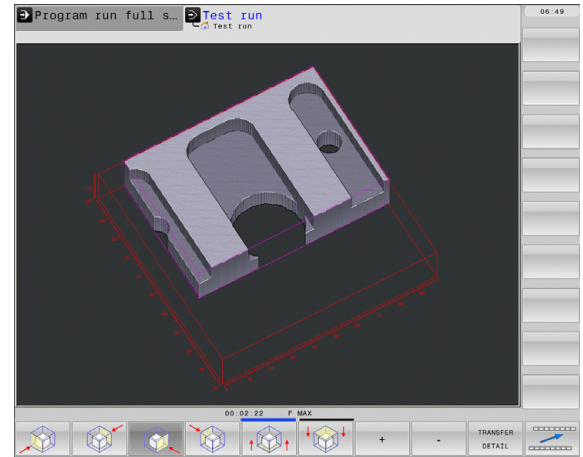
- ▶ Interrupt the graphic simulation, if necessary
 - ▶ Shift the soft-key row in the Test Run mode, or in a Program Run mode, respectively, until the soft key for detail magnification appears.
-  ▶ Shift the soft-key row until the soft-key for the detail magnification functions appears
-  ▶ Select the functions for detail magnification
- ▶ Press the corresponding soft key to select the workpiece surface (see table below)
 - ▶ To reduce or magnify the blank form, press and hold the MINUS or PLUS soft key, respectively
 - ▶ Restart the test run or program run by pressing the START soft key (RESET + START returns the workpiece to its original state)

Function	Soft keys
Select the left/right workpiece surface	 
Select the front/back workpiece surface	 
Select the top/bottom workpiece surface	 
Shift the sectional plane to reduce or magnify the workpiece blank	 
Select the isolated detail	





After a new workpiece detail magnification is selected, the control "forgets" previously simulated machining operations. The TNC then displays machined areas as unmachined areas.

If the workpiece blank cannot be further enlarged or reduced, the TNC displays an error message in the graphics window. To clear the error message, reduce or enlarge the workpiece blank.



Repeating graphic simulation

A part program can be graphically simulated as often as desired, either with the complete workpiece or with a detail of it.

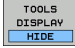

Function	Soft key
Restore workpiece to the detail magnification in which it was last shown	
Reset detail magnification so that the machined workpiece or workpiece blank is displayed as it was programmed with BLK FORM	



With the WINDOW BLK FORM soft key, you return the displayed workpiece blank to its originally programmed dimensions, even after isolating a detail without TRANSFER DETAIL.

Displaying the tool

You can display the tool during simulation in the plan view and in the projection in three planes. The TNC depicts the tool in the diameter defined in the tool table.

Function	Soft key
Do not display the tool during simulation	
Display the tool during simulation	



Measuring the machining time

Program Run modes of operation

The timer counts and displays the time from program start to program end. The timer stops whenever machining is interrupted.

Test Run

The timer displays the time that the TNC calculates for the duration of tool movements that are executed at feed rate. Dwell times are included in the calculation by the TNC. The time calculated by the TNC can only conditionally be used for calculating the production time because the TNC does not account for the duration of machine-dependent interruptions, such as tool change.

Activating the stopwatch function



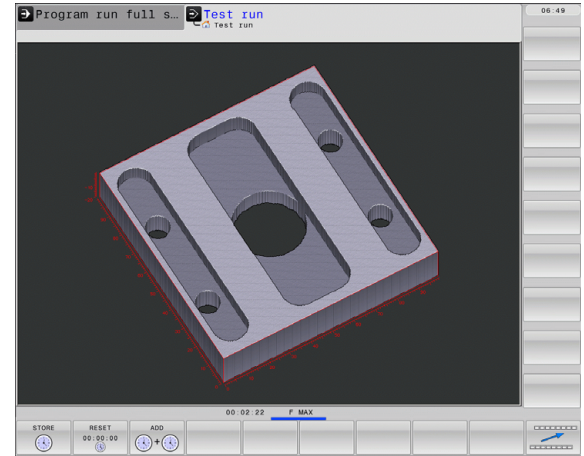
- ▶ Shift the soft-key row until the soft-key for the stopwatch functions appears



- ▶ Select the stopwatch functions



- ▶ Select the desired function by soft key, e.g. saving the displayed time



Stopwatch functions	Soft key
Store displayed time	
Display the sum of stored time and displayed time	
Clear displayed time	



During the test run, the TNC resets the machining time as soon as a new **BLK FORM** is evaluated.



3-D line graphics

Application

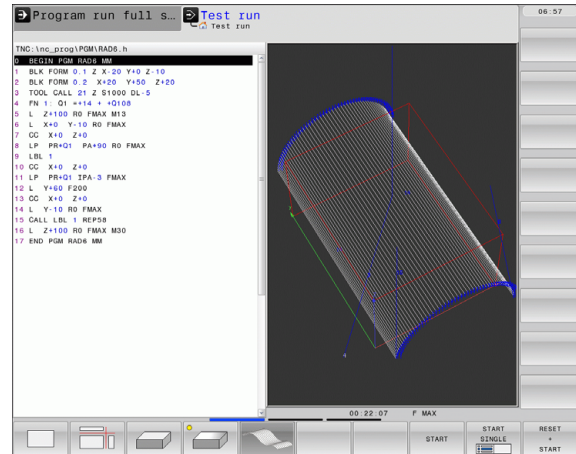
Use the 3-D line graphics to have the TNC show the programmed traverse paths in three dimensions. A powerful zoom function is available for recognizing details quickly.

You should especially use the 3-D line graphics to inspect programs created externally for irregularities before machining, in order to avoid undesirable traces of the machining process on the workpiece. Such traces of machining can occur when points are output incorrectly by the postprocessor.


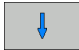
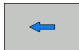
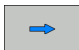
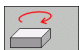


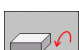

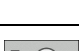
The TNC displays traverse movements with **FMAX** in blue in the 3-D line graphics.



You can use the 3-D line graphics in Split-Screen mode or in Full-Screen mode:

- ▶ To show program blocks to the left and 3-D line graphics to the right, press the SPLIT SCREEN key and PROGRAM + GRAPHICS soft key
- ▶ To show the 3-D line graphics on the entire screen, press the SPLIT SCREEN key and GRAPHICS soft key.



Functions of the 3-D line graphics

Function	Soft key
Show and move the zoom frame up. Press and hold the soft key to move the frame	
Show and move the zoom frame down. Press and hold the soft key to move the frame	
Show and move the zoom frame to the left. Press and hold the soft key to move the frame	
Show and move the zoom to the right. Press and hold the soft key to move the frame	
Rotate workpiece clockwise	
Rotate workpiece counterclockwise	
Tilt workpiece backward	
Tilt workpiece forward	
Magnify the graphic stepwise. If the view is magnified, the TNC shows the letter Z in the footer of the graphic window	
Reduce the graphic stepwise. If the view is reduced, the TNC shows the letter Z in the footer of the graphic window	

Function	Soft key
Show workpiece at original size	
Display BLK form with lines	

You can also use the mouse with the 3-D line graphics. The following functions are available:

- ▶ In order to rotate the wire model shown in three dimensions: Hold the right mouse button down and move the mouse. The TNC shows a directional arrow indicating in which direction the workpiece is turned
- ▶ In order to shift the wire model shown: Hold the center mouse button or the wheel button down and move the mouse. The TNC shifts the workpiece in the corresponding direction. After you release the center mouse button, the TNC shifts the workpiece to the defined position
- ▶ In order to zoom in on a certain area with the mouse: Draw a rectangular zoom area while holding the left mouse button down. After you release the left mouse button, the TNC zooms in on the defined area of the workpiece
- ▶ In order to quickly zoom in and out with the mouse: Rotate the wheel button forward or backward

Block number display ON/OFF



- ▶ Shift the soft-key row



- ▶ To show block numbers: Set the SHOW OMIT BLOCK NR. soft key to SHOW
- ▶ To omit block numbers: Set the SHOW OMIT BLOCK NR. soft key to OMIT

Erasing the graphic



- ▶ Shift the soft-key row



- ▶ Erase graphic: Press CLEAR GRAPHICS soft key

Show grid lines



- ▶ Shift the soft-key row: see figure



- ▶ Show grid lines: Press the "Show grid lines" soft key



16.2 Showing the Blank in the Working Space

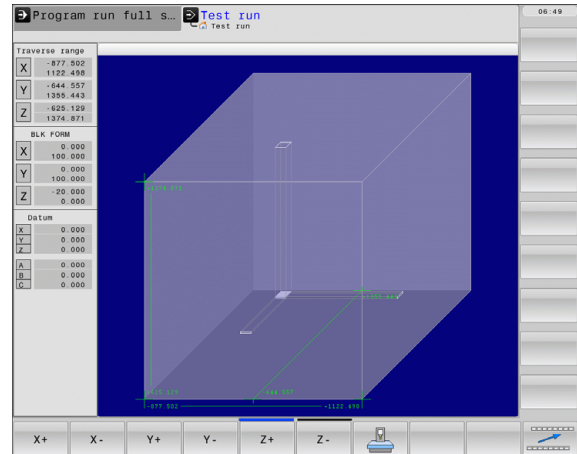
Application

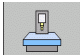
This MOD function enables you to graphically check the position of the workpiece blank or reference point in the machine's working space and to activate work space monitoring in the Test Run mode of operation. This function is activated with the **BLANK IN WORKSPACE** soft key. You can activate or deactivate the function with the **SW limit monitoring** soft key (2nd soft-key row).

Another transparent cuboid represents the workpiece blank. Its dimensions are shown in the **BLK FORM** table. The TNC takes the dimensions from the workpiece blank definition of the selected program. The workpiece cuboid defines the coordinate system for input. Its datum lies within the traverse-range cuboid.

For a test run it normally does not matter where the workpiece blank is located within the working space. However, if you activate working space monitoring, you must graphically shift the workpiece blank so that it lies within the working space. Use the soft keys shown in the table.

You can also activate the current datum for the Test Run operating mode (see the last line of the following table).






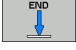
Function	Soft keys
Shift workpiece blank in positive/negative X direction	X+ X-
Shift workpiece blank in positive/negative Y direction	Y+ Y-
Shift workpiece blank in positive/negative Z direction	Z+ Z-
Show workpiece blank referenced to the set datum	
Switch monitoring function on or off	SW limit monitoring



16.3 Functions for Program Display

Overview

In the Program Run modes of operation as well as in the Test Run mode, the TNC provides the following soft keys for displaying a part program in pages:

Functions	Soft key
Go back in the program by one screen	
Go forward in the program by one screen	
Go to the beginning of the program	
Go to the end of the program	



16.4 Test Run

Application

In the Test Run mode of operation you can simulate programs and program sections to reduce programming errors during program run. The TNC checks the programs for the following:

- Geometrical incompatibilities
- Missing data
- Impossible jumps
- Violation of the machine's working space

The following functions are also available:

- Blockwise test run
- Interruption of test at any block
- Optional block skip
- Functions for graphic simulation
- Measurement of machining time
- Additional status display



Caution: Danger of collision!

The TNC cannot graphically simulate all traverse motions actually performed by the machine. These include

- Traverse motions during tool change, if the machine manufacturer defined them in a tool-change macro or via the PLC,
- Positioning movements that the machine manufacturer defined in an M-function macro,
- Positioning movements that the machine manufacturer performs via the PLC

HEIDENHAIN therefore recommends proceeding with caution for every new program, even when the program test did not output any error message, and no visible damage to the workpiece occurred.

After a tool call, the TNC always starts a program test at the following position:

- In the machining plane at the position $X=0, Y=0$
- In the tool axis, 1 mm above the **MAX** point defined in the **BLK FORM**

If you call the same tool, the TNC resumes program simulation from the position last programmed before the tool call.

In order to ensure unambiguous behavior during program run, after a tool change you should always move to a position from which the TNC can position the tool for machining without causing a collision.





Your machine tool builder can also define a tool-change macro for the Test Run operating mode. This macro will simulate the exact behavior of the machine. Please refer to your machine tool manual.

Executing a test run

If the central tool file is active, a tool table must be active (status S) to conduct a test run. Select a tool table via the file manager (PGM MGT) in the Test Run mode of operation.

With the BLANK IN WORK SPACE function, you activate working space monitoring for the test run, see "Showing the Blank in the Working Space", page 495.



- ▶ Select the Test Run operating mode
- ▶ Call the file manager with the PGM MGT key and select the file you wish to test, or
- ▶ Go to the program beginning: Select line 0 with the GOTO key and confirm your entry with the ENT key

The TNC then displays the following soft keys:

Functions	Soft key
Reset the blank form and test the entire program	
Test the entire program	
Test each program block individually	
Halt test run (soft key only appears once you have started the test run)	

You can interrupt the test run and continue it again at any point—even within a fixed cycle. In order to continue the test, the following actions must not be performed:

- Selecting another block with the arrow keys or the GOTO key
- Making changes to the program
- Switching the operating mode
- Selecting a new program



16.5 Program run

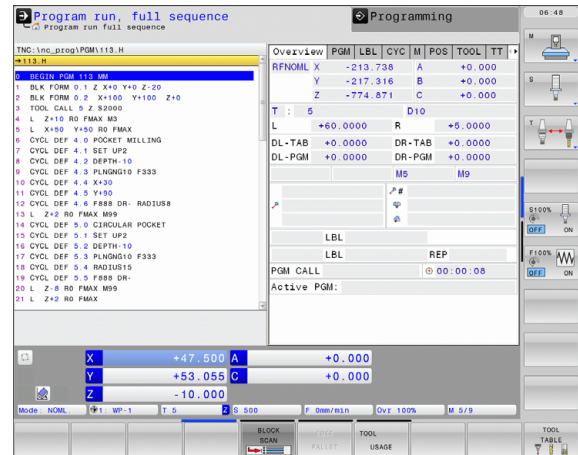
Application

In the Program Run, Full Sequence mode of operation the TNC executes a part program continuously to its end or up to a program stop.

In the Program Run, Single Block mode of operation you must start each block separately by pressing the machine START button.

The following TNC functions are available in the program run modes of operation:

- Interrupting the program run
- Starting the program run from a certain block
- Optional block skip
- Editing the tool table TOOL.T
- Checking and changing Q parameters
- Superimposing handwheel positioning
- Functions for graphic simulation
- Additional status display



Running a part program

Preparation

- 1 Clamp the workpiece to the machine table
- 2 Set the datum
- 3 Select the necessary tables and pallet files (status M)
- 4 Select the part program (status M)



You can adjust the feed rate and spindle speed with the override knobs.



It is possible to reduce the feed rate when starting the NC program using the FMAX soft key. The reduction applies to all rapid traverse and feed rate movements. The value you enter is no longer in effect after the machine has been turned off and on again. In order to re-establish the respectively defined maximum feed rate after switch-on, you need to re-enter the corresponding value.

The behavior of this function varies depending on the respective machine. Refer to your machine manual.

Program Run, Full Sequence

- ▶ Start the part program with the machine START button

Program Run, Single Block

- ▶ Start each block of the part program individually with the machine START button



Interrupting machining

There are several ways to interrupt a program run:

- Programmed interruptions
- Pressing the machine STOP button
- Switching to Program Run, Single Block

If the TNC registers an error during program run, it automatically interrupts the machining process.


Programmed interruptions

You can program interruptions directly in the part program. The TNC interrupts the program run at a block containing one of the following entries:

- **STOP** (with and without miscellaneous function)
- Miscellaneous functions **M0**, **M2** or **M30**
- Miscellaneous function **M6** (defined by the machine tool builder)

Interruption through the machine STOP button

- ▶ Press the machine STOP button: The block that the TNC is currently executing is not completed. The NC stop signal in the status display blinks (see table)
- ▶ If you do not wish to continue the machining process, you can reset the TNC with the INTERNAL STOP soft key. The NC stop signal in the status display goes out. In this case, the program must be restarted from the program beginning

Symbol	Meaning
	Program run is stopped

Interrupting the machining process by switching to the Program Run, Single Block mode of operation

You can interrupt a program that is being run in the Program Run, Full Sequence mode of operation by switching to the Program Run, Single Block mode. The TNC interrupts the machining process at the end of the current block.



Moving the machine axes during an interruption

You can move the machine axes during an interruption in the same way as in the Manual Operation mode.

Application example:

Retracting the spindle after tool breakage

- ▶ Interrupt machining
- ▶ Enable the machine axis-direction keys: Press the MANUAL TRAVERSE soft key
- ▶ Move the axes with the machine axis-direction keys



On some machines you may have to press the machine START button after the MANUAL OPERATION soft key to enable the axis-direction keys. Refer to your machine manual.



Resuming program run after an interruption



If you cancel a program with INTERNAL STOP, you have to start the program with the RESTORE POS. AT N function or with GOTO "0".

If a program run is interrupted during a fixed cycle, the program must be resumed from the beginning of the cycle. This means that some machining operations will be repeated.

If you interrupt a program run during execution of a subprogram or program section repeat, use the RESTORE POS AT N function to return to the position at which the program run was interrupted.

When a program run is interrupted, the TNC stores:

- The data of the last defined tool
- Active coordinate transformations (e.g. datum shift, rotation, mirroring)
- The coordinates of the circle center that was last defined



Note that the stored data remain active until they are reset (e.g. if you select a new program).

The stored data are used for returning the tool to the contour after manual machine axis positioning during an interruption (RESTORE POSITION soft key).

Resuming program run with the START button

You can resume program run by pressing the machine START button if the program was interrupted in one of the following ways:

- The machine STOP button was pressed
- Programmed interruption

Resuming program run after an error

If the error message is not blinking:

- ▶ Remove the cause of the error
- ▶ Clear the error message from the screen: Press the CE key
- ▶ Restart the program, or resume program run where it was interrupted

If the error message is blinking:

- ▶ Press and hold the END key for two seconds. This induces a TNC system restart
- ▶ Remove the cause of the error
- ▶ Start again

If you cannot correct the error, write down the error message and contact your service agency.



Mid-program startup (block scan)



The RESTORE POS AT N feature must be enabled and adapted by the machine tool builder. Refer to your machine manual.

With the RESTORE POS AT N feature (block scan) you can start a part program at any block you desire. The TNC scans the program blocks up to that point. Machining can be graphically simulated.

If you have interrupted a part program with an INTERNAL STOP, the TNC automatically offers the interrupted block N for mid-program startup.



Mid-program startup must not begin in a subprogram.

All necessary programs, tables and pallet files must be selected in a program run mode of operation (status M).

If the program contains a programmed interruption before the startup block, the block scan is interrupted. Press the machine START button to continue the block scan.

After a block scan, return the tool to the calculated position with RESTORE POSITION.

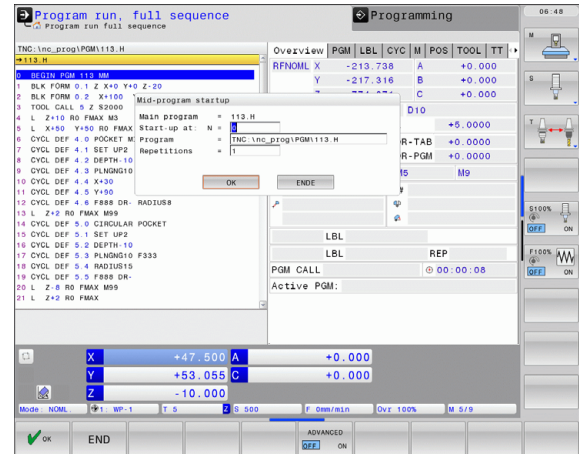
Tool length compensation does not take effect until after the tool call and a following positioning block. This also applies if you have only changed the tool length.



The TNC skips all touch probe cycles in a mid-program startup. Result parameters that are from these cycles might therefore remain empty.

You may not use mid-program startup if the following occurs after a tool change in the machining program:

- The program is started in an FK sequence
- The stretch filter is active
- Pallet management is used
- The program is started in a threading cycle (Cycles 17, 18, 19, 206, 207 and 209) or the subsequent program block
- Touch-probe cycles 0, 1 and 3 are used before program start



- ▶ Go to the first block of the current program to start a block scan:
Enter GOTO "0"



- ▶ Select mid-program startup: Press the MID-PROGRAM STARTUP soft key, or
- ▶ **Start-up at N:** Enter the block number N at which the block scan should end
- ▶ **Program:** Enter the name of the program containing block N
- ▶ **Repetitions:** If block N is located in a program section repeat or in a subprogram that is to be run repeatedly, enter the number of repetitions to be calculated in the block scan
- ▶ Start mid-program startup: Press the machine START button
- ▶ Contour approach (see following section)

Entering a program with the GOTO key



If you use the GOTO block number key for going into a program, neither the TNC nor the PLC will execute any functions that ensure a safe start.

If you use the GOTO block number key for going into a subprogram,

- the TNC will skip the end of the subprogram (**LBL 0**)
- the TNC will reset function M126 (Shorter-path traverse of rotary axes)

In such cases you must always use the mid-program startup function.



16.6 Automatic Program Start

Application



The TNC must be specially prepared by the machine tool builder for use of the automatic program start function. Refer to your machine manual.



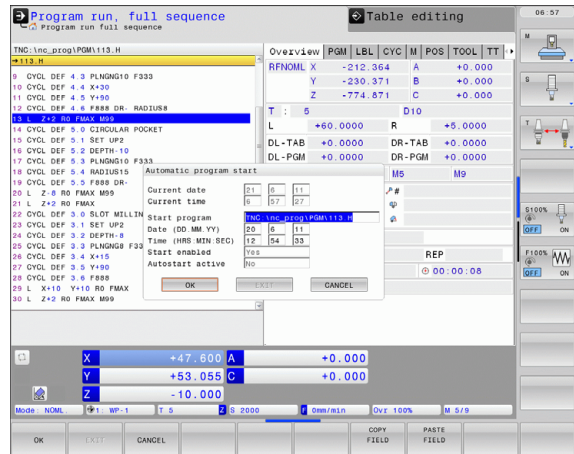
Caution: Danger for the operator!

The autostart function must not be used on machines that do not have an enclosed working space.

In a Program Run operating mode, you can use the AUTOSTART soft key (see figure at upper right) to define a specific time at which the program that is currently active in this operating mode is to be started:



- ▶ Show the window for entering the starting time (see figure at center right)
- ▶ **Time (h:min:sec)**: Time of day at which the program is to be started
- ▶ **Date (DD.MM.YYYY)**: Date at which the program is to be started
- ▶ To activate the start, press the OK soft key



16.7 Optional block skip

Application

In a test run or program run, the control can skip over blocks that begin with a slash "/":



- ▶ To run or test the program without the blocks preceded by a slash, set the soft key to ON



- ▶ To run or test the program with the blocks preceded by a slash, set the soft key to OFF



This function does not work for **TOOL DEF** blocks.

After a power interruption the TNC returns to the most recently selected setting.

Inserting the "/" character

- ▶ In the **Programming** mode you select the block in which the character is to be inserted



- ▶ Select the INSERT soft key

Erasing the "/" character

- ▶ In the **Programming** mode you select the block in which the character is to be deleted



- ▶ Select the REMOVE soft key



16.8 Optional Program-Run Interruption

Application

The TNC optionally interrupts program run at blocks containing M1. If you use M1 in the Program Run mode, the TNC does not switch off the spindle or coolant.



▶ Do not interrupt program run or test run at blocks containing M1: Set soft key to OFF



▶ Interrupt program run or test run at blocks containing M1: Set soft key to ON







17

MOD Functions



17.1 Selecting MOD Functions

The MOD functions provide additional input possibilities and displays. In addition you can enter code numbers to enable access to protected areas.

Selecting the MOD functions

Opening the pop-up window with the MOD functions:



- ▶ To select the MOD functions, press the MOD key. The TNC opens a pop-up window displaying the available MOD -functions.

Changing the settings

As well as with the mouse, navigation with the keyboard is also possible in the MOD functions:

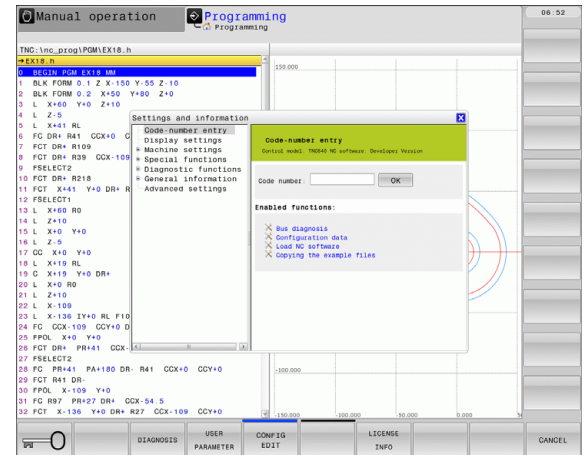
- ▶ Switch from the input area in the right window to the MOD function selections in the left window with the tab key
- ▶ Select MOD function
- ▶ Switch to the input field with the tab key or ENT key
- ▶ Enter value according to function and confirm with **OK** or make selection and confirm with **Apply**



If more than one possibility is available for a particular setting, you can superimpose a window listing all of the given possibilities by pressing the GOTO key. Select the setting with the ENT key. If you don't want to change the setting, close the window again with END.

Exiting the MOD functions

- ▶ Exit MOD functions: press the ABORT soft key or END key



Overview of MOD functions

The following functions are available independent of the selected operating mode:

Code-number entry

- Entering the code number

Display settings

- Selecting position displays
- Defining the unit of measurement (mm/inches) for position display
- Setting programming language for MDI
- Display of time
- Show the info line

Machine settings

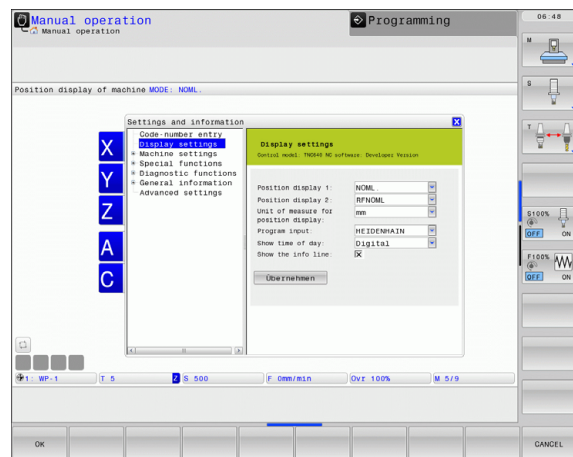
- Selecting the machine kinematics

Diagnostic functions

- Profibus diagnosis
- Network information
- HeROS information

General Information

- Software version
- FCL information
- License information
- Machine times



17.2 Software Numbers

Application

The following software numbers are displayed on the TNC screen after the "Software version" MOD function has been selected:

- **Control mode1**: Designation of the control (managed by HEIDENHAIN)
- **NC software**: Number of the NC software (managed by HEIDENHAIN)
- **NC software**: Number of the NC software (managed by HEIDENHAIN)
- **NCK**: Number of the NC software (managed by HEIDENHAIN)
- **PLC software**: Number or name of the PLC software (managed by your machine tool builder)

In the "FCL information" MOD function, the TNC shows the following information:

- **Feature Content Level (FCL)**: Development level of the software installed on the control (see "Feature content level (upgrade functions)" on page 9)



17.3 Entering Code Numbers

Application

The TNC requires a code number for the following functions:

Function	Code number
Selecting user parameters	123
Configuring an Ethernet card	NET123
Enabling special functions for Q parameter programming	555343



17.4 Setting the Data Interfaces

Serial interfaces on the TNC 640

The TNC 640 automatically uses the LSV2 transmission protocol for serial data transfer. The LSV2 protocol is permanent and cannot be changed except for setting the baud rate (machine parameter **baudRateLsv2**). You can also specify another type of transmission (interface). The settings described below are therefore effective only for the respective newly defined interface.

Application

To set up a data interface, select the file management (PGM MGT) and press the MOD key. Press the MOD key again and enter the code number 123. The TNC shows the user parameter **GfgSerialInterface**, in which you can enter the following settings:

Setting the RS-232 interface

Open the RS232 folder. The TNC then displays the following settings:

Setting the baud rate (baudRate)

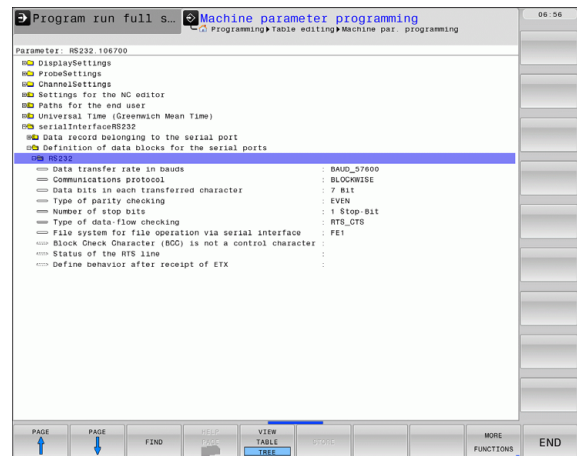
You can set the BAUD RATE (data transfer speed) from 110 to 115 200 baud.

Setting the protocol (protocol)

The data communication protocol controls the data flow of a serial transmission (comparable to MP5030 of the iTNC 530).



Here, the BLOCKWISE setting designates a form of data transfer where data is transmitted in blocks. This is not to be confused with the blockwise data reception and simultaneous blockwise processing by older TNC contouring controls. Blockwise reception of an NC program and simultaneous machining of the program is not possible!



Communications protocol	Selection
Standard data transfer	STANDARD
Packet-based data transfer	BLOCKWISE
Transmission without protocol	RAW_DATA



Setting the data bits (dataBits)

By setting the data bits you define whether a character is transmitted with 7 or 8 data bits.

Parity check (parity)

The parity bit helps the receiver to detect transmission errors. The parity bit can be formed in three different ways:

- No parity (NONE): There is no error detection
- Even parity (EVEN): Here there is an error if the receiver finds that it has received an odd number of set bits
- Odd parity (ODD): Here there is an error if the receiver finds that it has received an even number of set bits

Setting the stop bits (stopBits)

The start bit and one or two stop bits enable the receiver to synchronize to every transmitted character during serial data transmission.

Setting the handshake (flowControl)

By handshaking, two devices control data transfer between them. A distinction is made between software handshaking and hardware handshaking.

- No data flow checking (NONE): Handshaking is not active
- Hardware handshaking (RTS_CTS): Transmission stop is active through RTS
- Software handshaking (XON_XOFF): Transmission stop is active through DC3 (XOFF)



Settings for data transfer with the TNCserver PC software

Enter the following settings in the user parameters (**serialInterfaceRS232 / definition of data blocks for the serial ports / RS232**):

Parameter	Selection
Data transfer rate in baud	Has to match the setting in TNCserver
Data transmission protocol	BLOCKWISE
Data bits in each transferred character	7 bits
Type of parity checking	EVEN
Number of stop bits	1 stop bit
Specify type of handshake:	RTS_CTS
File system for file operations	FE1

Setting the operating mode of the external device (fileSystem)



The functions "Transfer all files," "Transfer selected file," and "Transfer directory" are not available in the FE2 and FEX modes.

External device	Operating mode	Symbol
PC with HEIDENHAIN data transfer software TNCremoNT	LSV2	
HEIDENHAIN floppy disk units	FE1	
Non-HEIDENHAIN devices such as printers, scanners, punchers, PC without TNCremoNT	FEX	



Software for data transfer

For transfer of files to and from the TNC, we recommend using the HEIDENHAIN TNCremo data transfer software. With TNCremo, data transfer is possible with all HEIDENHAIN controls via the serial interface or the Ethernet interface.



You can download the current version of TNCremo free of charge from the HEIDENHAIN Filebase (www.heidenhain.de, <Services and Documentation>, <Software>, <PC Software>, <TNCremoNT>).

System requirements for TNCremo:

- PC with 486 processor or higher
- Windows 95, Windows 98, Windows NT 4.0, Windows 2000, Windows XP or Windows Vista operating systems
- 16 MB RAM
- 5 MB free memory space on your hard disk
- An available serial interface or connection to the TCP/IP network

Installation under Windows

- ▶ Start the SETUP.EXE installation program with the File Manager (Explorer)
- ▶ Follow the setup program instructions

Starting TNCremoNT under Windows

- ▶ Click <Start>, <Programs>, <HEIDENHAIN Applications>, <TNCremo>

When you start TNCremo for the first time, TNCremo automatically tries to set up a connection with the TNC.



Data transfer between the TNC and TNCremoNT



Before you transfer a program from the TNC to the PC, you must make absolutely sure that you have already saved the program currently selected on the TNC. The TNC saves changes automatically when you switch the mode of operation on the TNC, or when you select the file manager via the PGM MGT key.

Check whether the TNC is connected to the correct serial port on your PC or to the network.

Once you have started TNCremoNT, you will see a list of all files that are stored in the active directory in the upper section of the main window **1**. Using the menu items <File> and <Change directory>, you can change the active directory or select another directory on your PC.

If you want to control data transfer from the PC, establish the connection with your PC in the following manner:

- ▶ Select <File>, <Setup connection>. TNCremoNT now receives the file and directory structure from the TNC and displays this at the bottom left of the main window **2**
- ▶ To transfer a file from the TNC to the PC, select the file in the TNC window with a mouse click and drag and drop the highlighted file into the PC window **1**
- ▶ To transfer a file from the PC to the TNC, select the file in the PC window with a mouse click and drag and drop the highlighted file into the TNC window **2**

If you want to control data transfer from the TNC, establish the connection with your PC in the following manner:

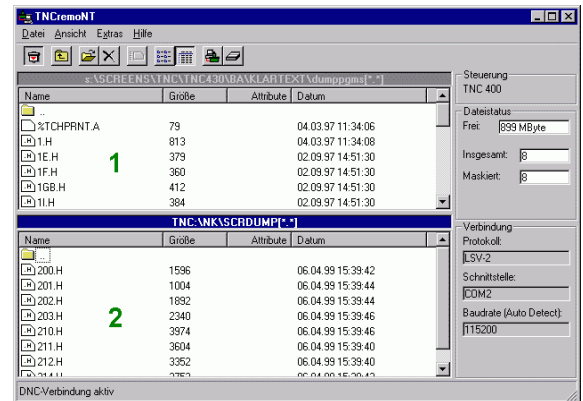
- ▶ Select <Extras>, <TNCserver>. TNCremoNT is now in server mode. It can receive data from the TNC and send data to the TNC
- ▶ You can now call the file management functions on the TNC by pressing the PGM MGT key (see "Data transfer to or from an external data medium" on page 119) and transfer the desired files

Exiting TNCremoNT

Select the menu items <File>, <Exit>



Refer also to the TNCremoNT context-sensitive help texts where all of the functions are explained in more detail. The help texts must be called with the F1 key.



17.5 Ethernet Interface

Introduction

The TNC is shipped with a standard Ethernet card to connect the control as a client in your network. The TNC transmits data via the Ethernet card with

- the **smb** protocol (**s**erver **m**essage **b**lock) for Windows operating systems, or
- the **TCP/IP** protocol family (Transmission Control Protocol/Internet Protocol) and with support from the NFS (Network File System)

Connection possibilities

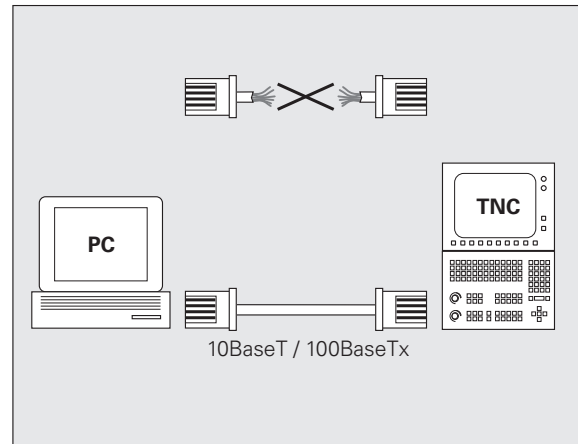
You can connect the Ethernet card in your TNC to your network through the RJ45 connection (X26, 100BaseTX or 10BaseT), or directly to a PC. The connection is metallically isolated from the control electronics.

For a 100BaseTX or 10BaseT connection you need a Twisted Pair cable to connect the TNC to your network.



The maximum cable length between TNC and a node depends on the quality grade of the cable, the sheathing and the type of network (100BaseTX or 10BaseT).

No great effort is required to connect the TNC directly to a PC that has an Ethernet card. Simply connect the TNC (port X26) and the PC with an Ethernet crossover cable (trade names: crossed patch cable or STP cable).



Configuring the TNC



Make sure that the person configuring your TNC is a network specialist.

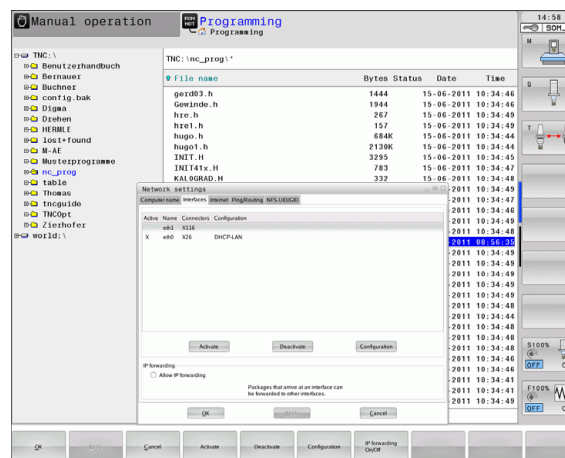
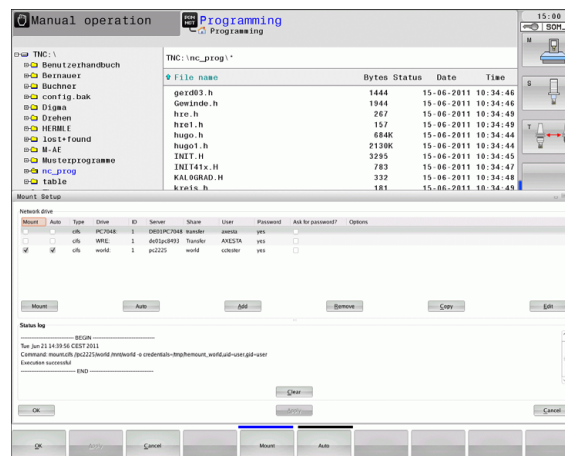
Please note that the TNC performs an automatic restart if you change the IP address of the TNC.

- ▶ Press the MOD key in the Programming and Editing operating mode and enter the code number NET123.
- ▶ In the file manager, select the NETWORK soft key. The TNC displays the main screen for network configuration

General network settings

- ▶ Press the DEFINE NET soft key to enter the general network settings. The **Computer name** tab is active:

Setting	Meaning
Primary interface	Name of the Ethernet interface to be integrated in your company network. Only active if a second, optional Ethernet interface is available on the control hardware
Computer name	Name displayed for the TNC in your company network
Host file	Only required for special applications: Name of a file in which the assignments of IP addresses to computer names is defined



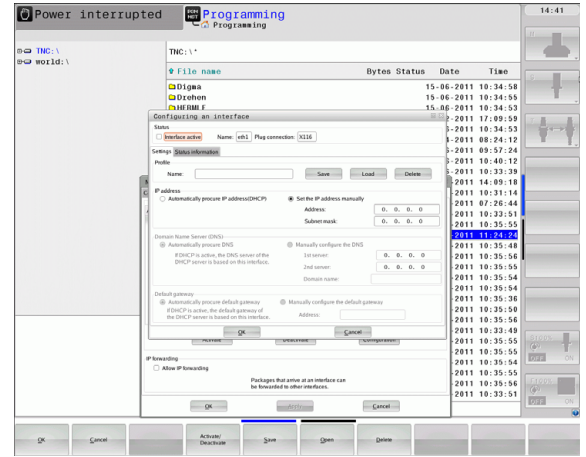
- Select the **Interfaces** tab to enter the interface settings:

Setting	Meaning
Interface list	<p>List of the active Ethernet interfaces. Select one of the listed interfaces (via mouse or arrow keys)</p> <ul style="list-style-type: none"> ■ Activate button: Activate the selected interface (an X appears in the Active column) ■ Deactivate button: Deactivate the selected interface (a hyphen (-) appears in the Active column) ■ Configuration button: Open the Configuration menu
Allow IP forwarding	<p>This function must be kept deactivated. Only activate this function if external access via the second, optional Ethernet interface of the TNC is necessary for diagnostic purposes. Only do so after instruction by our Service department</p>



▶ Press the **Configuration** button to open the Configuration menu:

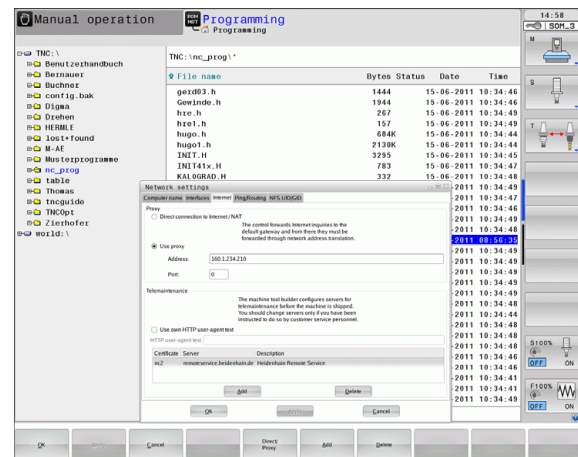
Setting	Meaning
Status	<ul style="list-style-type: none"> ■ Interface active: Connection status of the selected Ethernet interface ■ Name: Name of the interface you are currently configuring ■ Plug connection: Number of the plug connection of this interface on the logic unit of the control.
Profile	<p>Here you can create or select a profile in which all settings shown in this window are stored. HEIDENHAIN provides two standard profiles:</p> <ul style="list-style-type: none"> ■ DHCP-LAN: Settings for the standard TNC Ethernet interface, should work in a standard company network. ■ MachineNet: Settings for the second, optional Ethernet interface; for configuration of the machine network <p>Press the corresponding buttons to save, load and delete profiles</p>
IP address	<ul style="list-style-type: none"> ■ Automatically procure IP address option: The TNC is to procure the IP address from the DHCP server ■ Set the IP address manually option: Manually define the IP address and subnet mask. Input: Four numerical values separated by points, in each field, e.g. 160.1.180.20 and 255.255.0.0



Setting	Meaning
Domain Name Server (DNS)	<ul style="list-style-type: none"> ■ Automatically procure DNS option: The TNC is to automatically procure the IP address of the domain name server ■ Manually configure the DNS option: Manually enter the IP addresses of the servers and the domain name
Default gateway	<ul style="list-style-type: none"> ■ Automatically procure default gateway option: The TNC is to automatically procure the default gateway ■ Manually configure the default gateway option: Manually enter the IP addresses of the default gateway

- ▶ Apply the changes with the **OK** button, or discard them with the **Cancel** button
- ▶ The **Internet** tab currently has no function.

Setting	Meaning
Proxy	<ul style="list-style-type: none"> ■ Direct connection to Internet/NAT: The control forwards Internet inquiries to the default gateway and from there they must be forwarded through network address translation (e.g. if a direct connection to a modem is available) ■ Use proxy: Define the Address and Port of the Internet router in your network, ask your network administrator for the correct address and port
Telemaintenance	The machine manufacturer configures the server for telemaintenance here. Changes must always be made in agreement with your machine tool builder.

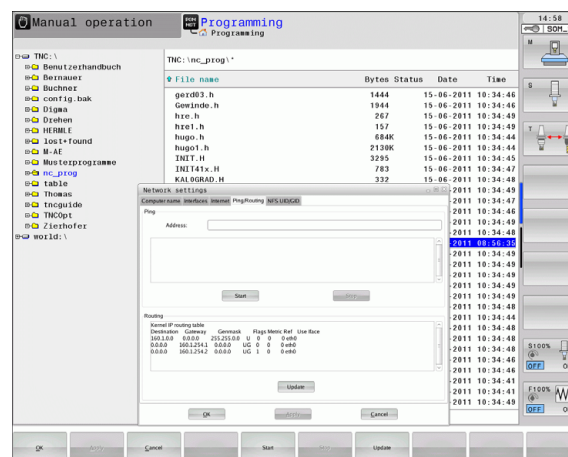
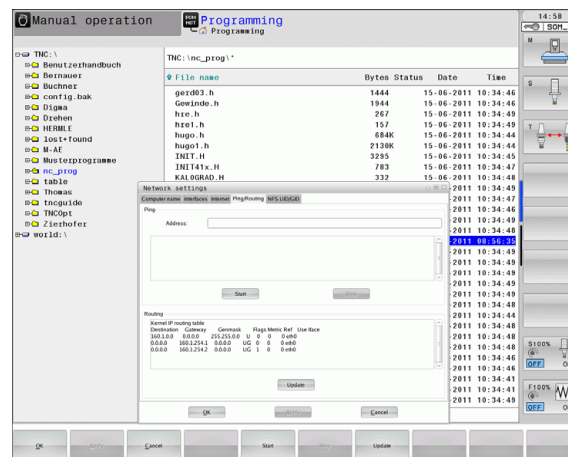


▶ Select the **Ping/Routing** tab to enter the ping and routing settings:

Setting	Meaning
Ping	<p>In the Address: field, enter the IP number for which you want to check the network connection. Input: Four numerical values separated by periods, e.g. 160.1.180.20. As an alternative, you can enter the name of the computer whose connection you want to check</p> <ul style="list-style-type: none"> ■ Press the Start button to begin the test. The TNC shows the status information in the Ping field ■ Press the Stop button to conclude the test
Routing	<p>For network specialists: Status information of the operating system for the current routing</p> <ul style="list-style-type: none"> ■ Update button: Update routing

▶ Select the **NFS UID/GID** tab to enter the user and group identifications:

Setting	Meaning
Set UID/GID for NFS shares	<ul style="list-style-type: none"> ■ User ID: Definition of which user identification the end user uses to access files in the network. Ask your network specialist for the proper value. ■ Group ID: Definition of the group identification with which you access files in the network. Ask your network specialist for the proper value.



Network settings specific to the device

- ▶ Press the DEFINE MOUNT soft key to enter the network settings for a specific device. You can define any number of network settings, but you can manage only seven at one time

Setting	Meaning
---------	---------

Network drive

List of all connected network drives. The TNC shows the respective status of the network connections in the columns:

- **Mount:**
Network drive connected / not connected
- **Auto:**
Network drive is to be connected automatically / manually
- **Type:**
Type of network connection. cifs and nfs are possible.
- **Drive:**
Designation of the drive on the TNC
- **ID:**
Internal ID that identifies if a mount point has been used for more than one connection.
- **Server:**
Name of the server
- **Share name:**
Name of the directory on the server that the TNC is to access
- **User:**
User name with which the user logs on to the network
- **Password:**
Network drive password protected / not protected
- **Ask for password?:**
Request / Do not request password during connection
- **Options:**
Display additional connection options

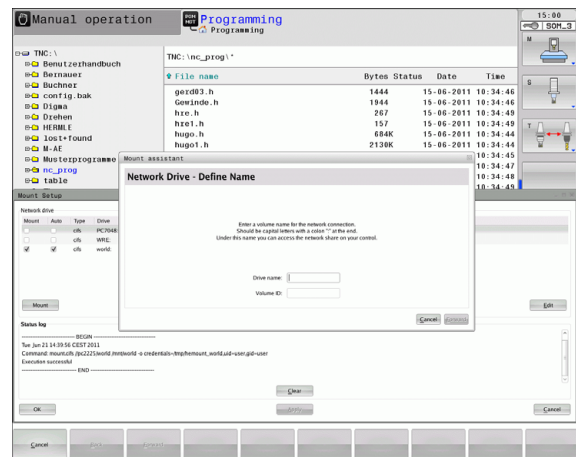
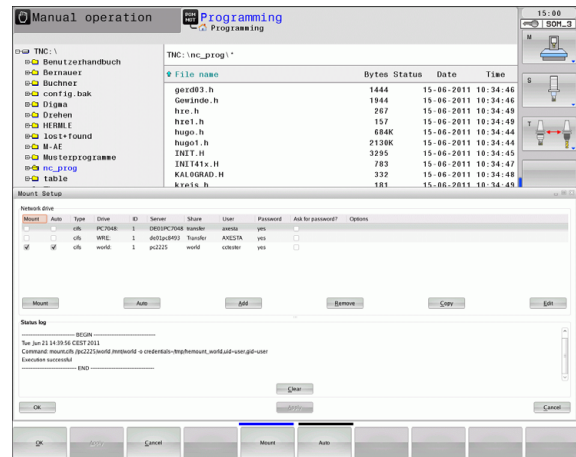
To manage the network drives, use the screen buttons.

To add network drives, use the **Add** button: The TNC then starts the connection wizard, which guides you by dialog through the required definitions.

Status log

Display of status information and error messages.

Press the Clear button to delete the contents of the Status Log window.



17.6 Position Display Types

Application

In the Manual Operation mode and in the Program Run modes of operation, you can select the type of coordinates to be displayed.

The figure at right shows the different tool positions:

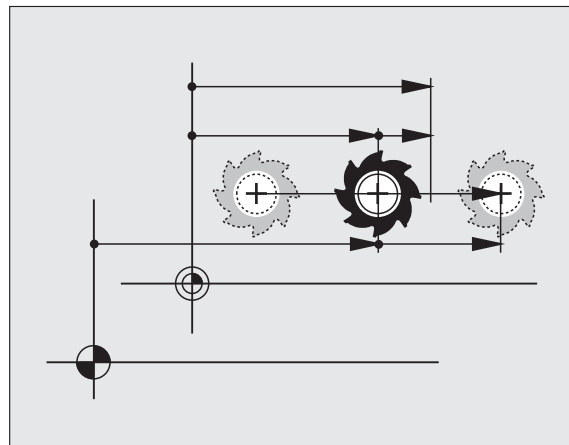
- Starting position
- Target position of the tool
- Workpiece datum
- Machine datum

The TNC position displays can show the following coordinates:

Function	Display
Nominal position: the value presently commanded by the TNC	NOML.
Actual position; current tool position	ACTL.
Reference position; the actual position relative to the machine datum	REF ACTL
Reference position; the nominal position relative to the machine datum	REF NOML
Servo lag; difference between nominal and actual positions (following error)	LAG
Distance remaining to the programmed position; difference between actual and target positions	DIST

With the MOD function **Position display 1**, you can select the position display in the status display.

With the MOD function **Position display 2**, you can select the position display in the status display.



17.7 Unit of Measurement

Application

This MOD function determines whether the coordinates are displayed in millimeters (metric system) or inches.

- To select the metric system (e.g. $X = 15.789$ mm), set the Change MM/INCH function to mm. The value is displayed to 3 decimal places.
- To select the inch system (e.g. $X = 0.6216$ inches), set the Change MM/INCH function to inches. The value is displayed to 4 decimal places.

If you would like to activate the inch display, the TNC shows the feed rate in inch/min. In an inch program you must enter the feed rate larger by a factor of 10.



17.8 Displaying Operating Times

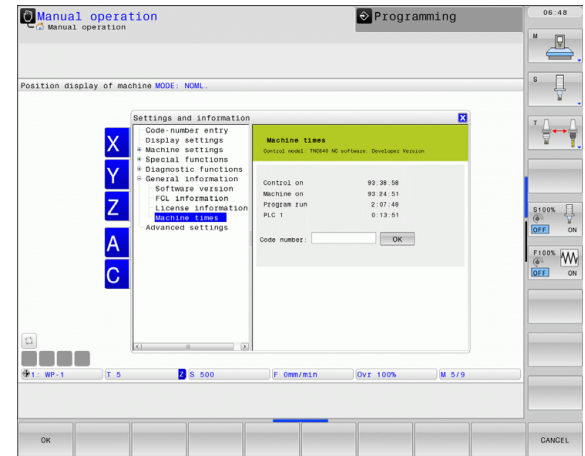
Application

The MACHINE TIME soft key enables you to see various types of operating times:

Operating time	Meaning
Control on	Operating time of the control since being put into service
Machine on	Operating time of the machine tool since being put into service
Program run	Duration of controlled operation since being put into service



The machine tool builder can provide further operating time displays. The machine tool manual provides further information.



e editieren

	F1	Vc2	F2
	0,016	55	0,020
	0,016	55	0,020
	0,200	130	0,250
	0,025	45	0,030
	0,016	55	0,020
	0,200	130	0,250
	0,016	55	0,020
	0,016	55	0,020
	0,200	130	0,250
	0,016	55	0,020
	0,016	55	0,020
	0,200	130	0,250
	0,016	55	0,020
	0,016	55	0,020
	0,200	130	0,250
	0,040	45	0,030
	0,040	35	0,020
	0,040	100	0,020
	0,040	35	0,020
	0,040	35	0,020

18

Tables and Overviews



18.1 Machine-Specific User Parameters

Application

The parameter values are entered in the **configuration editor**.



To enable you to set machine-specific functions, your machine tool builder can define which machine parameters are available as user parameters. Furthermore, your machine tool builder can integrate additional machine parameters, which are not described in the following, into the TNC.

Refer to your machine manual.

The machine parameters are grouped as parameter objects in a tree structure in the configuration editor. Each parameter object has a name (e.g. **CfgDisplayLanguage**) that gives information about the parameters it contains. A parameter object, also called "entity", is marked with an "E" in the folder symbol in the tree structure. Some machine parameters have a key name to identify them unambiguously. The key name assigns the parameter to a group (e.g. X for X axis). The respective group folder bears the key name and is marked by a "K" in the folder symbol.










If you are in the configuration editor for the user parameters, you can change the display of the existing parameters. In the default setting, the parameters are displayed with short, explanatory texts. To display the actual system names of the parameters, press the key for the screen layout and then the SHOW SYSTEM NAME soft key. Follow the same procedure to return to the standard display.






Calling the configuration editor

- ▶ Select the **Programming** mode of operation
- ▶ Press the **MOD** key
- ▶ Enter the code number **123**
- ▶ Press the **END** soft key to exit the configuration editor

The icon at the beginning of each line in the parameter tree shows additional information about this line. The icons have the following meanings:

-  Branch exists but is closed
-  Branch is open
-  Empty object, cannot be opened
-  Initialized machine parameter
-  Uninitialized (optional) machine parameter
-  Can be read but not edited
-  Cannot be read or edited

The type of the configuration object is identified by its folder symbol:

-  Key (group name)
-  List
-  Entity or parameter object



Displaying help texts

The **HELP** key enables you to call a help text for each parameter object or attribute.

If the help text does not fit on one page (1/2 is then displayed at the upper right, for example), press the **HELP PAGE** soft key to scroll to the second page.

To exit the help text, press the **HELP** key again.

Additional information, such as the unit of measure, the initial value, or a selection list, is also displayed. If the selected machine parameter matches a parameter in the TNC, the corresponding MP number is shown.

Parameter list**Parameter settings**

DisplaySettings

Settings for screen display

Sequence of the displayed axes

[0] to [5]

Depends on the available axes

Type of position display in the position window

NOML.

ACTL.

REF ACTL

REF NOML

LAG

DIST

Type of position display in the status display

NOML.

ACTL.

REF ACTL

REF NOML

LAG

DIST

Definition of decimal separator for position display

.

Feed rate display in Manual Operation operating mode

at axis key: Display the feed rate only if axis-direction key is pressed

always minimum: Always display the feed rate

Display of spindle position in the position display

during closed loop: Display spindle position only if spindle is in position control loop

during closed loop and M5: Display the spindle position only if spindle is in position control loop and M5 is active

Display or hide the PRESET TABLE soft key.

True: Preset Table soft key is not displayed

False: Display the Preset Table soft key



Parameter settings

DisplaySettings

Display step for the individual axes

List of all available axes

Display step for position display in mm or degrees

0.1

0.05

0.01

0.005

0.001

0.0005

0.0001

0.00005 (Display step software option)

0.00001 (Display step software option)

Display step for position display in inches

0.005

0.001

0.0005

0.0001

0.00005 (Display step software option)

0.00001 (Display step software option)

DisplaySettings

Definition of the unit of measure valid for the display

metric: Use metric system

inch: Use inch system

DisplaySettings

Format of the NC programs and cycle display

Program entry in HEIDENHAIN plain language or in DIN/ISO

HEIDENHAIN: Program entry in plain language in MDI mode

ISO: Program entry in MDI mode in DIN/ISO format

Depiction of the cycles

TNC_STD: Display the cycles with comments

TNC_PARAM: Display the cycles without comments

DisplaySettings

Behavior during control startup

True: Display "Power Interrupted" message

False: Do not display "Power Interrupted" message



Parameter settings

DisplaySettings

Settings of the NC and PLC conversational language

NC conversational language

ENGLISH
GERMAN
CZECH
FRENCH
ITALIAN
SPANISH
PORTUGUESE
SWEDISH
DANISH
FINNISH
DUTCH
POLISH
HUNGARIAN
RUSSIAN
CHINESE
CHINESE_TRAD
SLOVENIAN
ESTONIAN
KOREAN
LATVIAN
NORWEGIAN
ROMANIAN
SLOVAK
TURKISH
LITHUANIAN

PLC conversational language

See NC conversational language

PLC error message language

See NC conversational language

Language for online help

See NC conversational language

DisplaySettings

Behavior during control startup

Acknowledge the "Power interrupted" message

TRUE: Start-up of the control is not continued until the message has been acknowledged

FALSE: The "Power interrupted" message does not appear

Depiction of the cycles

TNC_STD: Display the cycles with comments

TNC_PARAM: Display the cycles without comments



Parameter settings

ProbeSettings

Configuration of probing behavior

Manual operation: Including basic rotation

TRUE: Including active basic rotation during probing

FALSE: Always move on paraxial path during probing

Automatic mode: Multiple measurements in probing functions

1 to 3: Probe points per probing process

Automatic mode: Confidence interval of multiple measurements

0.002 to 0.999 [mm]: Range within which the measured value must be during multiple measurements

Configuration of a round stylus

Coordinates of the stylus center

[0]: X coordinate of the stylus center with respect to the machine datum

[1]: Y coordinate of the stylus center with respect to the machine datum

[2]: Z coordinate of the stylus center with respect to the machine datum

Safety clearance above the stylus for pre-positioning

0.001 to 99 999.9999 [mm]: Setup clearance in tool-axis direction

Safety zone around the stylus for pre-positioning

0.001 to 99 999.9999 [mm]: Setup clearance in the plane perpendicular to the tool axis

CfgToolMeasurement

M function for spindle orientation

-1: Spindle orientation directly by the NC

0: Function inactive

1 to 999: Number of the M function for spindle orientation

Probing direction for tool radius measurement

X_Positive, Y_Positive, X_Negative, Y_Negative (depending on the tool axis)

Distance from lower edge of tool to upper edge of stylus

0.001 to 99.9999 [mm]: Offset of stylus to tool

Rapid traverse in probing cycle

10 to 300 000 [mm/min]: Rapid traverse in probing cycle

Probing feed rate for tool measurement

1 to 3 000 [mm/min]: Rapid traverse during tool measurement

Calculation of the probing feed rate

ConstantTolerance: Calculation of the probing feed rate with constant tolerance

VariableTolerance: Calculation of the probing feed rate with variable tolerance

ConstantFeed: Constant probing feed rate

Max. permissible surface cutting speed at the tooth edge

1 to 129 [m/min]: Permissible surface cutting speed at the circumference of the milling tool

Maximum permissible speed during tool measurement

0 to 1 000 [1/min]: Maximum permissible speed

Maximum permissible measuring error for tool measurement

0.001 to 0.999 [mm]: First maximum permissible measurement error

Maximum permissible measuring error for tool measurement

0.001 to 0.999 [mm]: Second maximum permissible measurement error



Parameter settings

ChannelSettings

CH_NC

Active kinematics

Kinematics to be activated

List of machine kinematics

Geometry tolerances

Permissible deviation from the radius

0.0001 to 0.016 [mm]: Permissible deviation of the radius at the circle end-point compared with the circle start-point

Configuration of the fixed cycles

Overlap factor for pocket milling

0.001 to 1.414: Overlap factor for Cycle 4 POCKET MILLING and Cycle 5 CIRCULAR POCKET MILLING

Display the "Spindle?" error message if M3/M4 is not active

On: Issue error message

Off: No error message

Display the "Enter a negative depth" error message

On: Issue error message

Off: No error message

Behavior when moving to wall of slot in the cylinder surface

LineNormal. Approach on a straight line

CircleTangential: Approach on a circular path

M function for spindle orientation

-1: Spindle orientation directly by the NC

0: Function inactive

1 to 999: Number of the M function for spindle orientation



Parameter settings

Geometry filter for culling linear elements

Type of stretch filter

- **Off: No filter active**
- **ShortCut: Omit individual points on a polygon**
- **Average: The geometry filter smoothes corners**

Maximum distance of the filtered to the unfiltered contour

0 to 10 [mm]: The filtered points lie within this tolerance to the resulting new path

Maximum length of the distance resulting from filtering

0 to 1000 [mm]: Length over which geometry filtering is active

Settings for the NC editor

Generate backup files

TRUE: Generate backup file after editing NC programs

FALSE: Do not generate backup file after editing NC programs

Behavior of the cursor after deletion of lines

TRUE: Cursor is placed on the preceding line after deletion (iTNC behavior)

FALSE: Cursor is placed on the following line after deletion

Behavior of the cursor on the first or last line

TRUE: Cursor jumps from end to beginning of program

FALSE: Cursor does not jump from end to beginning of program

Line break with multiline blocks

ALL: Always display all lines

ACT: Only display the lines of the active block completely

NO: Only display all lines when block is edited

Activate help

TRUE: Always display help graphics during input

FALSE: Only display help graphics when the CYCLE HELP soft key is set to ON. The CYCLE HELP OFF/ON soft key is displayed in Programming operating mode after pressing the "Screen layout" key

Behavior of the soft-key row after a cycle entry

TRUE: The cycle soft-key row remains active after a cycle definition

FALSE: The cycle soft-key row is hidden after a cycle definition

Safety check when deleting blocks

TRUE: Display confirmation question when deleting an NC block

FALSE: Do not display confirmation question when deleting an NC block

Line number up to which a test of the NC program is to be run

100 to 9999: Program length for which the geometry is to be checked

DIN/ISO programming: Block number increment

0 to 250: Increments for creation of DIN/ISO blocks in the program

Line number to which identical syntax elements are searched for

500 to 9999: Search for cursored elements with up / down arrow keys

Paths for the end user

List of drives and/or directories

Drives or directories entered here are shown in the TNC's file manager

FN 16 output path for execution

Path for FN 16 output when no path is defined in the program

FN 16 output path for the Programming and Test Run op. modes

Path for FN 16 output when no path is defined in the program

Universal Time (Greenwich Mean Time)

Time difference to universal time [h]

-12 to 13: Time difference in hours relative to Greenwich Mean Time



18.2 Pin Layouts and Connecting Cables for the Data Interfaces

RS-232-C/V.24 interface for HEIDENHAIN devices



The interface complies with the requirements of EN 50 178 for **low voltage electrical separation**.

When using the 25-pin adapter block:

TNC		Connecting cable 365 725-xx			Adapter block 310 085-01		Connecting cable 274 545-xx		
Male	Assignment	Female	Color	Female	Male	Female	Male	Color	Female
1	Do not assign	1		1	1	1	1	White/Brown	1
2	RXD	2	Yellow	3	3	3	3	Yellow	2
3	TXD	3	Green	2	2	2	2	Green	3
4	DTR	4	Brown	20	20	20	20	Brown	8
5	Signal GND	5	Red	7	7	7	7	Red	7
6	DSR	6	Blue	6	6	6	6		6
7	RTS	7	Gray	4	4	4	4	Gray	5
8	CTR	8	Pink	5	5	5	5	Pink	4
9	Do not assign	9					8	Violet	20
Hsg.	Ext. shield	Hsg.	Ext. shield	Hsg.	Hsg.	Hsg.	Hsg.	Ext. shield	Hsg.

When using the 9-pin adapter block:

TNC		Connecting cable 355 484-xx			Adapter block 363 987-02		Connecting cable 366 964-xx		
Male	Assignment	Female	Color	Male	Female	Male	Female	Color	Female
1	Do not assign	1	Red	1	1	1	1	Red	1
2	RXD	2	Yellow	2	2	2	2	Yellow	3
3	TXD	3	White	3	3	3	3	White	2
4	DTR	4	Brown	4	4	4	4	Brown	6
5	Signal GND	5	Black	5	5	5	5	Black	5
6	DSR	6	Violet	6	6	6	6	Violet	4
7	RTS	7	Gray	7	7	7	7	Gray	8
8	CTR	8	White/Green	8	8	8	8	White/Green	7
9	Do not assign	9	Green	9	9	9	9	Green	9
Hsg.	Ext. shield	Hsg.	Ext. shield	Hsg.	Hsg.	Hsg.	Hsg.	Ext. shield	Hsg.



Non-HEIDENHAIN devices

The connector layout of a non-HEIDENHAIN device may substantially differ from that of a HEIDENHAIN device.

It depends on the unit and the type of data transfer. The table below shows the connector pin layout on the adapter block.

Adapter block 363 987-02		Connecting cable 366 964-xx		
Female	Male	Female	Color	Female
1	1	1	Red	1
2	2	2	Yellow	3
3	3	3	White	2
4	4	4	Brown	6
5	5	5	Black	5
6	6	6	Violet	4
7	7	7	Gray	8
8	8	8	White/Green	7
9	9	9	Green	9
Hsg.	Hsg.	Hsg.	Ext. shield	Hsg.

Ethernet interface RJ45 socket

Maximum cable length:

- Unshielded: 100 m
- Shielded: 400 m

Pin	Signal	Description
1	TX+	Transmit Data
2	TX-	Transmit Data
3	REC+	Receive Data
4	Vacant	
5	Vacant	
6	REC-	Receive Data
7	Vacant	
8	Vacant	



18.3 Technical Information

Explanation of symbols

- Standard
- Axis option
- ◆ Software option 1
- Software option 2

User functions

Short description	<ul style="list-style-type: none"> ■ Basic version: 3 axes plus closed-loop spindle ■ Fourth NC axis plus auxiliary axis or □ 8 additional axes or 7 additional axes plus 2nd spindle ■ Digital current and shaft speed control
Program entry	In HEIDENHAIN conversational and ISO
Position data	<ul style="list-style-type: none"> ■ Nominal positions for lines and arcs in Cartesian coordinates or polar coordinates ■ Incremental or absolute dimensions ■ Display and entry in mm or inches
Tool compensation	<ul style="list-style-type: none"> ■ Tool radius in the working plane and tool length ■ Radius compensated contour look ahead for up to 99 blocks (M120) ● Three-dimensional tool-radius compensation for subsequent changing of tool data without having to recalculate the program
Tool tables	Multiple tool tables with any number of tools
Constant cutting speed	<ul style="list-style-type: none"> ■ With respect to the path of the tool center ■ With respect to the cutting edge
Parallel operation	Creating a program with graphical support while another program is being run
3-D machining (software option 2)	<ul style="list-style-type: none"> ● Motion control with minimum jerk ● 3-D compensation through surface normal vectors ● Using the electronic handwheel to change the angle of the swivel head during program run without affecting the position of the tool point (TCPM = Tool Center Point Management) ● Keeping the tool normal to the contour ● Tool radius compensation normal to the direction of traverse and the tool direction
Rotary table machining (software option 1)	<ul style="list-style-type: none"> ◆ Programming of cylindrical contours as if in two axes ◆ Feed rate in distance per minute



User functions

Contour elements

- Straight line
- Chamfer
- Circular path
- Circle center
- Circle radius
- Tangentially connected arc
- Corner rounding

Approaching and departing the contour

- Via straight line: tangential or perpendicular
- Via circular arc

FK free contour programming

- FK free contour programming in HEIDENHAIN conversational format with graphic support for workpiece drawings not dimensioned for NC

Program jumps

- Subroutines
- Program-section repeat
- Any desired program as subroutine

Fixed cycles

- Cycles for drilling, and conventional and rigid tapping
- Roughing of rectangular and circular pockets
- Cycles for pecking, reaming, boring, and counterboring
- Cycles for milling internal and external threads
- Finishing of rectangular and circular pockets
- Cycles for clearing level and inclined surfaces
- Cycles for milling linear and circular slots
- Linear and circular point patterns
- Contour-parallel contour pocket
- Contour train
- OEM cycles (special cycles developed by the machine tool builder) can also be integrated
- Cycles for turning operations

Coordinate transformation

- Datum shift, rotation, mirroring
- Scaling factor (axis-specific)
- ◆ Tilting the working plane (software option)

Q parameters

Programming with variables

- Mathematical functions =, +, -, *, /, $\sin \alpha$, $\cos \alpha$, root calculation
- Logical comparisons (=, \neq , <, >)
- Calculating with parentheses
- $\tan \alpha$, arc sine, arc cosine, arc tangent, a^n , e^n , ln, log, absolute value of a number, the constant π , negation, truncation of digits before or after the decimal point
- Functions for calculation of circles
- String parameters



User functions	
Programming aids	<ul style="list-style-type: none"> ■ Calculator ■ Complete list of all current error messages ■ Context-sensitive help function for error messages ■ Graphic support for the programming of cycles ■ Comment blocks in the NC program
Actual position capture	<ul style="list-style-type: none"> ■ Actual positions can be transferred directly into the NC program
Test run graphics Display modes	<ul style="list-style-type: none"> ■ Graphic simulation before program run, even while another program is being run ■ Plan view / projection in 3 planes / 3-D view / 3-D line graphic ■ Magnification of details
Programming graphics	<ul style="list-style-type: none"> ■ In the Programming mode, the contour of the NC blocks is drawn on screen while they are being entered (2-D pencil-trace graphics), even while another program is running
Program Run graphics Display modes	<ul style="list-style-type: none"> ■ Graphic simulation of real-time machining in plan view / projection in 3 planes / 3-D view
Machining time	<ul style="list-style-type: none"> ■ Calculating the machining time in the Test Run mode of operation ■ Display of the current machining time in the Program Run modes
Returning to the contour	<ul style="list-style-type: none"> ■ Mid-program startup in any block in the program, returning the tool to the calculated nominal position to continue machining ■ Program interruption, contour departure and return
Datum tables	<ul style="list-style-type: none"> ■ Multiple datum tables, for storing workpiece-related datums
Touch-probe cycles	<ul style="list-style-type: none"> ■ Touch probe calibration ■ Compensation of workpiece misalignment, manual or automatic ■ Datum setting, manual or automatic ■ Automatic workpiece measurement ■ Cycles for automatic tool measurement ■ Cycles for automatic tool measurement ■ Cycles for automatic kinematics measurement
Specifications	
Components	<ul style="list-style-type: none"> ■ Operating panel ■ TFT color flat-panel display with soft keys
Program memory	<ul style="list-style-type: none"> ■ Minimum 21 GB
Input resolution and display step	<ul style="list-style-type: none"> ■ Up to 0.1 μm for linear axes ■ Up to 0.01 μm for linear axes ■ Up to 0.0001° for rotary axes ■ Up to 0.000 01° for rotary axes
Input range	<ul style="list-style-type: none"> ■ Maximum 999 999 999 mm or 999 999 999°



Specifications

Interpolation

- Linear in 4 axes
- Circular in 2 axes
- ◆ Circular in 3 axes with tilted working plane (software option 1)
- Helical: superimposition of circular and straight paths

Block processing time

3-D straight line without radius compensation

- 0.5 ms

Axis feedback control

- Position loop resolution: Signal period of the position encoder/1024
- Cycle time of position controller: 3 ms
- Cycle time of speed controller: 200 µs

Range of traverse

- Maximum 100 m (3937 inches)

Spindle speed

- Maximum 100 000 rpm (analog speed command signal)

Error compensation

- Linear and nonlinear axis error, backlash, reversal peaks during circular movements, thermal expansion
- Static friction

Data interfaces

- One each RS-232-C /V.24 max. 115 kilobaud
- Expanded data interface with LSV-2 protocol for remote operation of the TNC through the data interface with the HEIDENHAIN software TNCremo
- Ethernet interface 100BaseT
Approx. 40 to 80 Mbps (depending on file type and network utilization)
- 3 x USB 2.0

Ambient temperature

- Operation: 0 °C to +45 °C
- Storage: -30 °C to +70 °C

Accessories

Electronic handwheels

- One **HR 410** portable handwheel, or
- One **HR 130** panel-mounted handwheel, or
- Up to three **HR 150** panel-mounted handwheels via HRA 110 handwheel adapter

Touch probes

- **TS 220**: 3-D touch trigger probe with cable connection, or
- **TS 440**: 3-D touch trigger probe with infrared transmission
- **TS 444**: Battery-free 3-D touch trigger probe with infrared transmission
- **TS 640**: 3-D touch trigger probe with infrared transmission
- **TS 740**: High-precision 3-D touch trigger probe with infrared transmission
- **TT 140**: 3-D touch trigger probe for tool measurement



Software option 1 (option number #08)

Rotary table machining ◆ Programming of cylindrical contours as if in two axes
 ◆ Feed rate in mm/min

Coordinate transformation ◆ Tilting the working plane

Interpolation ◆ Circle in 3 axes with tilted working plane

Software option 2 (option number #09)

3-D machining ● Motion control with minimum jerk
 ● 3-D tool compensation through surface normal vectors
 ● Keeping the tool normal to the contour
 ● Tool radius compensation normal to the direction of traverse and the tool direction

Interpolation ● Linear in 5 axes (subject to export permit)

HEIDENHAIN DNC (option number #18)

■ Communication with external PC applications over COM component

Display step (option number #23)

Input resolution and display step ■ For linear axes to 0.01 μm
 ■ Rotary axes to 0.00001°

Software option for additional conversational languages (option number #41)

Additional conversational languages ■ Slovenian
 ■ Norwegian
 ■ Slovak
 ■ Latvian
 ■ Korean
 ■ Estonian
 ■ Turkish
 ■ Romanian
 ■ Lithuanian



KinematicsOpt software option (option number #48)**Touch-probe cycles for automatic testing and optimization of the machine kinematics**

- Backup/restore active kinematics
- Test active kinematics
- Optimize active kinematics

Double speed (option number #49)

- Double-speed control loops are used primarily for high-speed spindles as well as linear motors and torque motors

Software option Mill-Turning (option number #50)**Functions for milling/turning mode:**

- Switching between Milling/Turning mode of operation
- Constant cutting speed
- Tool-tip radius compensation
- Turning Cycles

Software option Extended Tool Management (option number #93)

- Extended tool management, python-based



Input format and unit of TNC functions	
Positions, coordinates, circle radii, chamfer lengths	-99 999.9999 to +99 999.9999 (5, 4: places before the decimal point, places after the decimal point) [mm]
Tool numbers	0 to 32 767.9 (5, 1)
Tool names	16 characters, enclosed by quotation marks with TOOL CALL . Permitted special characters: #, \$, %, &, -
Delta values for tool compensation	-99.9999 to +99.9999 (2, 4) [mm]
Spindle speeds	0 to 99 999.999 (5, 3) [rpm]
Feed rates	0 to 99 999.999 (5.3) [mm/min] or [mm/tooth] or [mm/rev]
Dwell time in Cycle 9	0 to 3600.000 (4, 3) [s]
Thread pitch in various cycles	-99.9999 to +99.9999 (2, 4) [mm]
Angle of spindle orientation	0 to 360.0000 (3, 4) [°]
Angle for polar coordinates, rotation, tilting the working plane	-360.0000 to +360.0000 (3, 4) [°]
Polar coordinate angle for helical interpolation (CP)	-5 400.0000 to 5 400.0000 (4, 4) [°]
Datum numbers in Cycle 7	0 to 2999 (4, 0)
Scaling factor in Cycles 11 and 26	0.000 001 to 99.999 999 (2, 6)
Miscellaneous functions M	0 to 999 (4, 0)
Q parameter numbers	0 to 1999 (4, 0)
Q parameter values	-99 999,9999 to +99 999,9999 (9.6)
Surface-normal vectors N and T with 3-D compensation	-9.99999999 to +9.99999999 (1, 8)
Labels (LBL) for program jumps	0 to 999 (5.0)
Labels (LBL) for program jumps	Any text string in quotes ("")
Number of program section repeats REP	1 to 65 534 (5, 0)
Error number with Q parameter function FN14	0 to 1199 (4, 0)



18.4 Exchanging the Buffer Battery

A buffer battery supplies the TNC with current to prevent the data in RAM memory from being lost when the TNC is switched off.

If the TNC displays the error message **Exchange buffer battery**, then you must replace the battery:



Caution: Danger of life!

To exchange the buffer battery, first switch off the TNC!

The buffer battery must be exchanged only by trained service personnel.

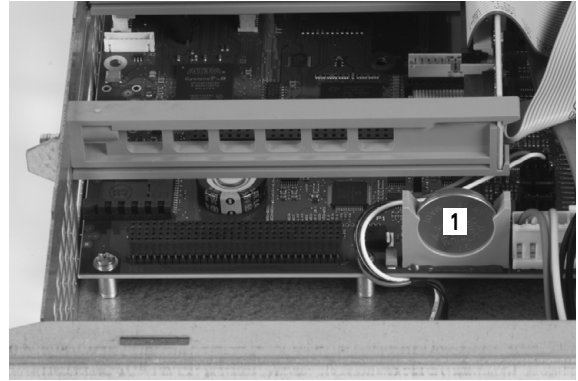
When exchanging the buffer battery, ensure electrostatic discharge protection. Improper handling can result in damage to the components or assemblies due to ESD!



Make a data backup before changing the buffer battery!

Battery type: **1** lithium battery, type CR 2450N (Renata) ID 315 878-01

- 1** The buffer battery is on the main board of the MC
- 2** Remove the screws of the MC housing cover
- 3** Remove the cover
- 4** The buffer battery is at the border of the PCB
- 5** Exchange the battery. The socket accepts a new battery only in the correct polarity



18.4 Exchanging the Buffer Battery



Overview Tables

Fixed cycles

Cycle number	Cycle designation	DEF active	CALL active
7	Datum shift	■	
8	Mirror image	■	
9	Dwell time	■	
10	Rotation	■	
11	Scaling factor	■	
12	Program call	■	
13	Oriented spindle stop	■	
14	Contour definition	■	
19	Tilting the working plane	■	
20	Contour data SL II	■	
21	Pilot drilling SL II		■
22	Rough out SL II		■
23	Floor finishing SL II		■
24	Side finishing SL II		■
25	Contour train		■
26	Axis-specific scaling	■	
27	Cylinder surface		■
28	Cylindrical surface slot		■
29	Cylinder surface ridge		■
32	Tolerance	■	
200	Drilling		■
201	Reaming		■
202	Boring		■
203	Universal drilling		■
204	Back boring		■
205	Universal pecking		■



Cycle number	Cycle designation	DEF active	CALL active
206	Tapping with a floating tap holder, new		■
207	Rigid tapping, new		■
208	Bore milling		■
209	Tapping with chip breaking		■
220	Circular point pattern	■	
221	Linear point pattern	■	
230	Multipass milling		■
231	Ruled surface		■
232	Face milling		■
240	Centering		■
241	Single-lip deep-hole drilling		■
247	Datum setting	■	
251	Rectangular pocket (complete machining)		■
252	Circular pocket (complete machining)		■
253	Slot milling		■
254	Circular slot		■
256	Rectangular stud (complete machining)		■
257	Circular stud (complete machining)		■
262	Thread milling		■
263	Thread milling/countersinking		■
264	Thread drilling/milling		■
265	Helical thread drilling/milling		■
267	Outside thread milling		■



Miscellaneous functions

M	Effect	Effective at block... start	end	Page
M0	Program run STOP/Spindle STOP/Coolant OFF		■	Page 327
M1	Optional program STOP/Spindle STOP/Coolant OFF		■	Page 509
M2	Program run STOP/Spindle STOP/Coolant OFF/Clear status display (depending on machine parameter)/Go to block 1		■	Page 327
M3	Spindle ON clockwise	■		Page 327
M4	Spindle ON counterclockwise	■		
M5	Spindle STOP		■	
M6	Tool change/Stop program run (depending on machine parameter)/Spindle STOP		■	Page 327
M8	Coolant ON	■		Page 327
M9	Coolant OFF		■	
M13	Spindle ON clockwise/Coolant ON	■		Page 327
M14	Spindle ON counterclockwise/Coolant ON	■		
M30	Same function as M2		■	Page 327
M89	Vacant miscellaneous function or Cycle call, modally effective (depending on machine parameter)	■	■	Cycles Manual
M91	Within the positioning block: Coordinates are referenced to machine datum	■		Page 328
M92	Within the positioning block: Coordinates are referenced to position defined by machine tool builder, such as tool change position	■		Page 328
M94	Reduce the rotary axis display to a value below 360°	■		Page 389
M97	Machine small contour steps		■	Page 331
M98	Machine open contours completely		■	Page 333
M99	Blockwise cycle call		■	Cycles Manual
M101	Automatic tool change with replacement tool if maximum tool life has expired		■	Page 162
M102	Reset M101		■	
M107	Suppress error message for replacement tools with oversize		■	Page 162
M108	Reset M107		■	
M109	Constant contouring speed at tool cutting edge (increase and decrease feed rate)	■		Page 336
M110	Constant contouring speed at tool cutting edge (feed rate decrease only)	■		
M111	Reset M109/M110		■	
M116	Feed rate for rotary axes in mm/min	■		Page 387
M117	Reset M116		■	
M118	Superimpose handwheel positioning during program run	■		Page 339



M	Effect	Effective at block...	start	end	Page
M120	Pre-calculate radius-compensated contour (LOOK AHEAD)		■		Page 337
M126	Shortest-path traverse of rotary axes		■		Page 388
M127	Reset M126			■	
M128	Retain position of tool tip when positioning tilting axes (TCPM)		■		Page 390
M129	Reset M128			■	
M130	Moving to position in an untilted coordinate system with a tilted working plane		■		Page 330
M138	Selection of tilted axes		■		Page 392
M140	Retraction from the contour in the tool-axis direction		■		Page 340
M143	Delete basic rotation		■		Page 341
M144	Compensate the machine's kinematics configuration for ACTUAL/NOMINAL positions at end of block		■		Page 393
M145	Reset M144			■	
M141	Suppress touch probe monitoring		■		Page 341
M148	Retract the tool automatically from the contour at NC stop		■		Page 342
M149	Reset M148			■	



Comparison: Functions of the TNC 640 and the iTNC 530

Comparison: Specifications

Function	TNC 640	iTNC 530
Axes	18 maximum	18 maximum
Input resolution and display step: ■ Linear axes ■ Rotary axes	■ 1 µm, 0.01 µm with option 23 ■ 0.001°, 0.00001° with option 23	■ 0.1 µm ■ 0.0001°
Control loops for high-frequency spindles and torque/linear motors	With option 49	With option 49
Display	19-inch TFT color flat-panel display	15.1-inch TFT color flat-panel display (optional: 19-inch TFT)
Memory media for NC, PLC programs and system files	Hard disk	Hard disk
Program memory for NC programs	> 21 GB	> 21 GB
Block processing time	0.5 ms	0.5 ms
HeROS operating system	Yes	Yes
Windows XP operating system	No	Option
Interpolation: ■ Straight line ■ Circle ■ Helix ■ Spline	■ 5 axes ■ 3 axes ■ Yes ■ No	■ 5 axes ■ 3 axes ■ Yes ■ Yes with option 9
Hardware	Modular in electrical cabinet	Modular in electrical cabinet

Comparison: Data interfaces

Function	TNC 640	iTNC 530
100BaseT Fast Ethernet	X	X
RS-232-C/V.24 serial interface	X	X
RS-422/V.11 serial interface	-	X
USB interface	X (USB 2.0)	X (USB 2.0)



Comparison: Accessories

Function	TNC 640	iTNC 530
Machine operating panel ■ MB 720 (HSCI) ■ TE 745 (keyboard unit with integrated operating panel)	■ – ■ X	■ X ■ X
Electronic handwheels ■ HR 410 ■ HR 420 ■ HR 520/530/550 ■ HR 130 ■ HR 150 via HRA 110	■ X ■ – ■ – ■ X ■ X	■ X ■ X ■ X ■ X ■ X
Touch probes ■ TS 220 ■ TS 440 ■ TS 444 ■ TS 449 / TT 449 ■ TS 640 ■ TS 740 ■ TT 130 / TT 140	■ X ■ X ■ X ■ – ■ X ■ X ■ X	■ X ■ X ■ X ■ X ■ X ■ X ■ X
Industrial PC IPC 61xx	–	X

Comparison: PC software

Function	TNC 640	iTNC 530
Programming station software	Available	Available
TNCremoNT for data transfer with TNCbackup for data backup	Available	Available
TNCremoPlus data transfer software with "live" screen	Available	Available
RemoTools SDK 1.2: Function library for developing your own applications for communicating with HEIDENHAIN controls	Limited functionality available	Available
virtualTNC: Control component for virtual machines	Not available	Available
ConfigDesign: Software for configuring the control	Available	Not available
TeleService: Software for remote diagnostics and maintenance	Available	Available



Comparison: Machine-specific functions

Function	TNC 640	iTNC 530
Switching the traverse range	Function not available	Function available
Central drive (1 motor for multiple machine axes)	Function available	Function available
C-axis operation (spindle motor drives rotary axis)	Function not available	Function available
Automatic exchange of milling head	Function not available	Function available
Support of angle heads	Function not available	Function available
Balluf tool identification	Function available (with Python)	Function available
Management of multiple tool magazines	Function available	Function available
Expanded tool management via Python	Function available	Function available



Comparison: User functions

Function	TNC 640	iTNC 530
Program entry <ul style="list-style-type: none"> ■ HEIDENHAIN conversational ■ DIN/ISO ■ With smarT.NC ■ With ASCII editor 	<ul style="list-style-type: none"> ■ X ■ X ■ – ■ X, directly editable 	<ul style="list-style-type: none"> ■ X ■ X ■ X ■ X, editable after conversion
Position data <ul style="list-style-type: none"> ■ Nominal positions for lines and arcs in Cartesian coordinates ■ Nominal positions for lines and arcs in polar coordinates ■ Incremental or absolute dimensions ■ Display and entry in mm or inches ■ Set the last tool position as pole (empty CC block) ■ Surface normal vectors (LN) ■ Spline blocks (SPL) 	<ul style="list-style-type: none"> ■ X ■ X ■ X ■ X ■ X (error message if pole transfer is ambiguous) ■ X ■ – 	<ul style="list-style-type: none"> ■ X ■ X ■ X ■ X ■ X ■ X ■ X, with option 09
Tool compensation <ul style="list-style-type: none"> ■ In the working plane, and tool length ■ Radius compensated contour look ahead for up to 99 blocks ■ Three-dimensional tool radius compensation 	<ul style="list-style-type: none"> ■ X ■ X ■ X, with option 09 	<ul style="list-style-type: none"> ■ X ■ X ■ X, with option 09
Tool table <ul style="list-style-type: none"> ■ Central storage of tool data ■ Multiple tool tables with any number of tools ■ Flexible management of tool types ■ Filtered display of selectable tools ■ Sorting function ■ Column names ■ Copy function: Overwriting relevant tool data ■ Form view ■ Exchange of tool table between TNC 640 and iTNC 530 	<ul style="list-style-type: none"> ■ X ■ X ■ X ■ X ■ X ■ Sometimes with _ ■ X ■ Switchover with split-screen layout key ■ X 	<ul style="list-style-type: none"> ■ X ■ X ■ – ■ – ■ – ■ Sometimes with - ■ X ■ Switchover by soft key ■ Not possible
Touch-probe table for managing different 3-D touch probes	X	–



Function	TNC 640	iTNC 530
Creating tool-usage file, checking the availability	X	X
Cutting-data tables: Automatic calculation of spindle speed and feed rate from saved technology tables	–	X
Define any tables	<ul style="list-style-type: none"> ■ Definable via config. data ■ Table names must start with a letter ■ Reading and writing with SQL functions 	<ul style="list-style-type: none"> ■ Freely definable tables (.TAB files) ■ Reading and writing with FN functions
Constant contouring speed: Relative to the path of the tool center or relative to the tool's cutting edge	X	X
Parallel operation: Creating programs while another program is being run	X	X
Programming of counter axes	X	X
Tilting the working plane (Cycle 19, PLANE function)	X, option #08	X, option #08
Machining with rotary tables <ul style="list-style-type: none"> ■ Programming of cylindrical contours as if in two axes <ul style="list-style-type: none"> ■ Cylinder Surface (Cycle 27) ■ Cylinder Surface Slot (Cycle 28) ■ Cylinder Surface Ridge (Cycle 29) ■ Cylinder Surface External Contour (Cycle 39) ■ Feed rate in mm/min or rev/min 	<ul style="list-style-type: none"> ■ X, option #08 ■ X, option #08 ■ X, option #08 ■ – ■ X, option #08 	<ul style="list-style-type: none"> ■ X, option #08 ■ X, option #08 ■ X, option #08 ■ X, option #08 ■ X, option #08
Traverse in tool-axis direction <ul style="list-style-type: none"> ■ Manual operation (3-D ROT menu) ■ During program interruption ■ With handwheel superimpositioning 	<ul style="list-style-type: none"> ■ X ■ X ■ – 	<ul style="list-style-type: none"> ■ X, FCL2 function ■ X ■ X, option #44
Approaching and departing the contour: Via a straight line or arc	X	X
Entry of feed rates: <ul style="list-style-type: none"> ■ F (mm/min), rapid traverse FMAX ■ FU (feed per revolution mm/rev) ■ FZ (tooth feed rate) ■ FT (time in seconds for path) ■ FMAXT (only for active rapid traverse pot: time in seconds for path) 	<ul style="list-style-type: none"> ■ X ■ X ■ X ■ – ■ – 	<ul style="list-style-type: none"> ■ X ■ X ■ X ■ X ■ X



Function	TNC 640	iTNC 530
FK free contour programming		
■ Programming for workpiece drawings not dimensioned for NC programming	■ X	■ X
■ Conversion of FK program to conversational dialog	■ –	■ X
Program jumps:		
■ Maximum number of label numbers	■ 9999	■ 1000
■ Subroutines	■ X	■ X
■ Nesting depth for subprograms	■ 20	■ 6
■ Program section repeats	■ X	■ X
■ Any desired program as subroutine	■ X	■ X
Q parameter programming:		
■ Standard mathematical functions	■ X	■ X
■ Formula entry	■ X	■ X
■ String processing	■ X	■ X
■ Local Q parameters QL	■ X	■ X
■ Nonvolatile Q parameters QR	■ X	■ X
■ Changing parameters during program interruption	■ –	■ X
■ FN15:PRINT	■ –	■ X
■ FN25:PRESET	■ –	■ X
■ FN26:TABOPEN	■ –	■ X
■ FN27:TABWRITE	■ –	■ X
■ FN28:TABREAD	■ –	■ X
■ FN29: PLC LIST	■ X	■ –
■ FN31: RANGE SELECT	■ –	■ X
■ FN32: PLC PRESET	■ –	■ X
■ FN37:EXPORT	■ X	■ –
■ FN38: SEND	■ –	■ X
■ Saving file externally with FN16	■ –	■ X
■ FN16 formatting: Left-aligned, right-aligned, string lengths	■ –	■ X
■ FN16 : Standard behavior while writing the file, if not defined with M_APPEND or M_CLOSE	■ Each time F16 is called, the protocol is overwritten	■ Each time F16 is called, the data is appended to the existing file
■ Writing to LOG file with FN16	■ X	■ –
■ Displaying parameter contents in the additional status display	■ X	■ –
■ Displaying parameter contents during programming (Q-INFO)	■ X	■ X
■ SQL functions for writing and reading tables	■ X	■ –



Function	TNC 640	iTNC 530
Graphic support		
■ 2-D programming graphics	■ X	■ X
■ REDRAW function	■ –	■ X
■ Show grid lines as the background	■ X	■ –
■ 3-D line graphics	■ X	■ X
■ Test graphics (plan view, projection in 3 planes, 3-D view)	■ X	■ X
■ High-resolution view	■ X	■ X
■ Tool display	■ X	■ X
■ Set the simulation speed	■ X	■ X
■ Coordinates of line intersection for projection in 3 planes	■ –	■ X
■ Expanded zoom functions (mouse operation)	■ X	■ X
■ Displaying frame for workpiece blank	■ X	■ X
■ Displaying the depth value in plan view during mouse-over	■ –	■ X
■ Targeted stop of test run (STOP AT N)	■ –	■ X
■ Consideration of tool change macro	■ –	■ X
■ Program run graphics (plan view, projection in 3 planes, 3-D view)	■ X	■ X
■ High-resolution view	■ X	■ X
Datum tables: for storing workpiece-related datums	X	X
Preset table: for saving reference points (presets)	X	X
Pallet management		
■ Support of pallet files	■ X	■ X
■ Tool-oriented machining	■ –	■ X
■ Pallet preset table: for managing pallet datums	■ –	■ X
Returning to the contour		
■ With mid-program startup	■ X	■ X
■ After program interruption	■ X	■ X
Autostart function	X	X
Actual position capture: Actual positions can be transferred to the NC program	X	X
Enhanced file management		
■ Creating multiple directories and subdirectories	■ X	■ X
■ Sorting function	■ X	■ X
■ Mouse operation	■ X	■ X
■ Selection of target directory by soft key	■ X	■ X



Function	TNC 640	iTNC 530
Programming aids: <ul style="list-style-type: none"> ■ Help graphics for cycle programming ■ Animated help graphics when PLANE/PATTERN DEF function is selected ■ Help graphics for PLANE/PATTERN DEF ■ Context-sensitive help function for error messages ■ TNCguide: Browser-based help system ■ Context-sensitive call of help system ■ Calculator ■ Comment blocks in NC program ■ Structure blocks in NC program <ul style="list-style-type: none"> ■ Structure view in test run 	<ul style="list-style-type: none"> ■ X, can be switched off via config datum ■ – ■ X ■ X ■ X ■ X ■ X (scientific) ■ X ■ X ■ – 	<ul style="list-style-type: none"> ■ X ■ X ■ X ■ X ■ X ■ X (standard) ■ X ■ X ■ X ■ X
Dynamic Collision Monitoring (DCM): <ul style="list-style-type: none"> ■ Collision monitoring in Automatic operation ■ Collision monitoring in Manual operation ■ Graphic depiction of the defined collision objects ■ Collision checking in the Test Run mode ■ Fixture monitoring ■ Tool carrier management 	<ul style="list-style-type: none"> ■ – ■ – ■ – ■ – ■ – ■ – 	<ul style="list-style-type: none"> ■ X, option #40 ■ X, option #40 ■ X, option #40 ■ X, option #40 ■ X, option #40 ■ X, option #40
CAM support: <ul style="list-style-type: none"> ■ Loading of contours from DXF data ■ Loading of machining positions from DXF data ■ Offline filter for CAM files ■ Stretch filter 	<ul style="list-style-type: none"> ■ – ■ – ■ – ■ X 	<ul style="list-style-type: none"> ■ X, option #42 ■ X, option #42 ■ X ■ –
MOD functions: <ul style="list-style-type: none"> ■ User parameters ■ OEM help files with service functions ■ Data medium inspection ■ Loading of service packs ■ Setting the system time ■ Selection of axes for actual position capture ■ Definition of traverse range limits ■ Restricting external access ■ Switching the kinematics 	<ul style="list-style-type: none"> ■ Config data ■ – ■ – ■ – ■ X ■ – ■ – ■ – ■ X 	<ul style="list-style-type: none"> ■ Numerical structure ■ X ■ X ■ X ■ X ■ X ■ X ■ X ■ X



Function	TNC 640	iTNC 530
Calling fixed cycles:		
■ With M99 or M89	■ X	■ X
■ With CYCL CALL	■ X	■ X
■ With CYCL CALL PAT	■ X	■ X
■ With CYC CALL POS	■ X	■ X
Special functions:		
■ Creating backward programs	■ –	■ X
■ Datum shift with TRANS DATUM	■ X	■ X
■ Adaptive Feed Control (AFC)	■ –	■ X, option #45
■ Global definition of cycle parameters: GLOBAL DEF	■ –	■ X
■ Pattern definition with PATTERN DEF	■ X	■ X
■ Definition and execution of point tables	■ X	■ X
■ Simple contour formula CONTOUR DEF	■ X	■ X
Functions for large molds and dies:		
■ Global program settings (GS)	■ –	■ X, option #44
■ Expanded M128: FUNCTION TCPM	■ X	■ X
Status displays:		
■ Positions, spindle speed, feed rate	■ X	■ X
■ Larger depiction of position display, Manual Operation	■ X	■ X
■ Additional status display, form view	■ X	■ X
■ Display of handwheel traverse when machining with handwheel superimposition	■ X	■ X
■ Display of distance-to-go in a tilted system	■ –	■ X
■ Dynamic display of Q-parameter contents, definable number ranges	■ X	■ –
■ OEM-specific additional status display via Python	■ X	■ X
■ Graphic display of residual run time	■ –	■ X
Individual color settings of user interface	–	X



Comparison: Cycles

Cycle	TNC 640	iTNC 530
1, pecking	X	X
2, tapping	X	X
3, slot milling	X	X
4, pocket milling	X	X
5, circular pocket	X	X
6, rough out (SL I)	–	X
7, datum shift	X	X
8, mirror image	X	X
9, dwell time	X	X
10, rotation	X	X
11, scaling	X	X
12, program call	X	X
13, oriented spindle stop	X	X
14, contour definition	X	X
15, pilot drilling (SL I)	–	X
16, contour milling (SL I)	–	X
17, tapping (controlled spindle)	X	X
18, thread cutting	X	X
19, working plane	X, option #08	X, option #08
20, contour data	X	X
21, pilot drilling	X	X
22, rough-out:	X	X
■ Parameter Q401, feed rate factor	■ –	■ X
■ Parameter Q404, fine roughing strategy	■ –	■ X
23, floor finishing	X	X
24, side finishing	X	X
25, contour train	X	X
26, axis-specific scaling factor	X	X
27, contour surface	X, option #08	X, option #08



Cycle	TNC 640	iTNC 530
28, cylinder surface	X, option #08	X, option #08
29, cylinder surface ridge	X, option #08	X, option #08
30, 3-D data	–	X
32, tolerance with HSC mode and TA	X	X
39, cylinder surface external contour	–	X, option #08
200, drilling	X	X
201, reaming	X	X
202, boring	X	X
203, universal drilling	X	X
204, back boring	X	X
205, universal pecking	X	X
206, tapping with floating tap holder	X	X
207, rigid tapping, new	X	X
208, bore milling	X	X
209, tapping with chip breaking	X	X
210, slot with reciprocating plunge	X	X
211, circular slot	X	X
212, rectangular pocket finishing	X	X
213, rectangular stud finishing	X	X
214, circular pocket finishing	X	X
215, circular stud finishing	X	X
220, circular pattern	X	X
221, linear pattern	X	X
225, engraving	–	X
230, multipass milling	X	X
231, ruled surface	X	X
232, face milling	X	X
240, centering	X	X
241, single-lip deep-hole drilling	X	X



Cycle	TNC 640	iTNC 530
247, datum setting	X	X
251, rectangular pocket (complete)	X	X
252, circular pocket (complete)	X	X
253, slot (complete)	X	X
254, circular slot (complete)	X	X
256, rectangular stud (complete)	X	X
257, circular stud (complete)	X	X
262, thread milling	X	X
263, thread milling/countersinking	X	X
264, thread drilling/milling	X	X
265, helical thread drilling/milling	X	X
267, outside thread milling	X	X
270, contour train data for defining the behavior of Cycle 25	–	X
275, trochoidal milling	–	X
276, 3-D contour train	–	X
290, interpolation turning	–	X, option #96



Comparison: Miscellaneous functions

M	Effect	TNC 640	iTNC 530
M00	Program run STOP/Spindle STOP/Coolant OFF	X	X
M01	Optional program STOP	X	X
M02	STOP program run/Spindle STOP/Coolant OFF/CLEAR status display (depending on machine parameter)/Go to block 1	X	X
M03 M04 M05	Spindle ON clockwise Spindle ON counterclockwise Spindle STOP	X	X
M06	Tool change/Program run STOP (machine-dependent function)/Spindle STOP	X	X
M08 M09	Coolant ON Coolant OFF	X	X
M13 M14	Spindle ON clockwise/Coolant ON Spindle ON counterclockwise/Coolant ON	X	X
M30	Same function as M02	X	X
M89	Vacant miscellaneous function or Cycle call, modally effective (machine-dependent function)	X	X
M90	Constant contouring speed at corners	–	X
M91	Within the positioning block: Coordinates are referenced to machine datum	X	X
M92	Within the positioning block: Coordinates are referenced to position defined by machine tool builder, such as tool change position	X	X
M94	Reduce the rotary axis display to a value below 360°	X	X
M97	Machine small contour steps	X	X
M98	Machine open contours completely	X	X
M99	Blockwise cycle call	X	X
M101 M102	Automatic tool change with replacement tool if maximum tool life has expired Reset M101	X	X
M103	Reduce feed rate during plunging to factor F (percentage)	X	X
M104	Reactivate the datum as last defined	–	X



M	Effect	TNC 640	iTNC 530
M105 M106	Machining with second k_v factor Machining with first k_v factor	–	X
M107 M108	Suppress error message for replacement tools with oversize Reset M107	X	X
M109 M110 M111	Constant contouring speed at tool cutting edge (increase and decrease feed rate) Constant contouring speed at tool cutting edge (feed rate decrease only) Reset M109/M110	X	X
M112 M113	Enter contour transition between two contour elements Reset M112	–	X
M114 M115	Automatic compensation of machine geometry when working with tilted axes Reset M114	–	X, option #08
M116 M117	Feed rate for rotary tables in mm/min Reset M116	X, option #08	X, option #08
M118	Superimpose handwheel positioning during program run	X	X
M120	Pre-calculate radius-compensated contour (LOOK AHEAD)	X	X
M124	Contour filter	–	X
M126 M127	Shortest-path traverse of rotary axes Reset M126	X	X
M128 M129	Maintain the position of the tool tip when positioning the tilted axes (TCPM) Reset M126	X, option #09	X, option #09
M130	Within the positioning block: Points are referenced to the untilted coordinate system	X	X
M134 M135	Exact stop at nontangential contour transitions when positioning with rotary axes Reset M134	–	X
M136 M137	Feed rate F in millimeters per spindle revolution Reset M136	X	X
M138	Selection of tilted axes	X	X
M140	Retraction from the contour in the tool-axis direction	X	X
M141	Suppress touch probe monitoring	X	X
M142	Delete modal program information	–	X
M143	Delete basic rotation	X	X



M	Effect	TNC 640	iTNC 530
M144 M145	Compensate the machine's kinematics configuration for ACTUAL/NOMINAL positions at end of block Reset M144	X, option #09	X, option #09
M148 M149	Retract the tool automatically from the contour at NC stop Reset M148	X	X
M150	Suppress limit switch message	–	X
M200 - M204	Laser cutting functions	–	X



Comparison: Touch probe cycles in the Manual Operation and EI. Handwheel modes

Cycle	TNC 640	iTNC 530
Touch-probe table for managing 3-D touch probes	X	–
Calibrating the effective length	X	X
Calibrating the effective radius	X	X
Measuring a basic rotation using a line	X	X
Datum setting in any axis	X	X
Setting a corner as datum	X	X
Setting a circle center as datum	X	X
Setting a center line as datum	–	X
Measuring a basic rotation using two holes/cylindrical studs	–	X
Setting the datum using four holes/cylindrical studs	–	X
Setting the circle center using three holes/cylindrical studs	–	X
Support of mechanical touch probes by manually capturing the current position	By soft key	By hard key
Writing measured values in preset table	X	X
Writing measured values in datum tables	X	X



Comparison: Touch probe cycles for automatic workpiece inspection

Cycle	TNC 640	iTNC 530
0, reference plane	X	X
1, polar datum	X	X
2, calibrating TS	–	X
3, measuring	X	X
4, measuring in 3-D	–	X
9, calibrating TS length	–	X
30, calibrating TT	X	X
31, measuring tool length	X	X
32, measuring tool radius	X	X
33, measuring tool length and radius	X	X
400, basic rotation	X	X
401, basic rotation from two holes	X	X
402, basic rotation from two studs	X	X
403, compensating a basic rotation via a rotary axis	X	X
404, setting a basic rotation	X	X
405, compensating workpiece misalignment by rotating the C axis	X	X
408, slot center datum	X	X
409, ridge center datum	X	X
410, datum from inside of rectangle	X	X
411, datum from outside of rectangle	X	X
412, datum from inside of circle	X	X
413, datum from outside of circle	X	X
414, datum at outside corner	X	X
415, datum at inside corner	X	X
416, datum at circle center	X	X
417, datum in touch probe axis	X	X
418, datum at center of 4 holes	X	X



Cycle	TNC 640	iTNC 530
419, datum in one axis	X	X
420, measuring an angle	X	X
421, measuring a hole	X	X
422, measuring a circle from outside	X	X
423, measuring a rectangle from inside	X	X
424, measuring a rectangle from outside	X	X
425, measuring inside width	X	X
426, measuring a ridge from outside	X	X
427, boring	X	X
430, measuring a bolt hole circle	X	X
431, measuring a plane	X	X
440, measuring an axis shift	–	X
441, fast probing	–	X
450, saving the kinematics	X	X
451, measuring the kinematics	X	X
452, preset compensation	–	X
460, calibrating a TS on a sphere	–	X
480, calibrating a TT	X	X
481, measuring/inspecting the tool length	X	X
482, measuring/inspecting the tool radius	X	X
483, measuring/inspecting the tool length and radius	X	X
484, calibrating the infrared TT	–	X



Comparison: Differences in programming

Function	TNC 640	iTNC 530
Switching the operating mode while a block is being edited	Not permitted	Permitted
File handling: <ul style="list-style-type: none"> ■ Save file function ■ Save file as function ■ Discard changes 	<ul style="list-style-type: none"> ■ Available ■ Available ■ Available 	<ul style="list-style-type: none"> ■ Not available ■ Not available ■ Not available
File management: <ul style="list-style-type: none"> ■ Mouse operation ■ Sorting function ■ Entry of name ■ Support of short cuts ■ Favorites management ■ Configuration of column structure ■ Soft-key arrangement 	<ul style="list-style-type: none"> ■ Available ■ Available ■ Opens the Select file pop-up window ■ Not available ■ Not available ■ Not available ■ Slightly different 	<ul style="list-style-type: none"> ■ Available ■ Available ■ Synchronizes the cursor ■ Available ■ Available ■ Available ■ Slightly different
Skip block function	Available	Available
Selecting a tool from the table	Selection via split-screen menu	Selection in a pop-up window
Using the cursor in tables	After editing a value, the horizontal arrow keys can be used for positioning within the column	After editing a value, the horizontal arrow keys can be used for positioning to the next/previous column
Programming special functions with the SPEC FCT key	Pressing the key opens a soft-key row as a submenu. To exit the submenu, press the SPEC FCT key again; then the TNC shows the last active soft-key row	Pressing the key adds the soft-key row as the last row. To exit the menu, press the SPEC FCT key again; then the TNC shows the last active soft-key row
Programming approach and departure motions with the APPR DEP key	Pressing the key opens a soft-key row as a submenu. To exit the submenu, press the APPR DEP key again; then the TNC shows the last active soft-key row	Pressing the key adds the soft-key row as the last row. To exit the menu, press the APPR DEP key again; then the TNC shows the last active soft-key row
Pressing the END hard key while the CYCLE DEF and TOUCH PROBE menus are active	Terminates the editing process and calls the file manager	Exits the respective menu
Calling the file manager while the CYCLE DEF and TOUCH PROBE menus are active	Terminates the editing process and calls the file manager. The respective soft-key row remains selected when the file manager is exited	Error message Key non-functional
Calling the file manager while CYCL CALL , SPEC FCT , PGM CALL and APPR/DEP menus are active	Terminates the editing process and calls the file manager. The respective soft-key row remains selected when the file manager is exited	Terminates the editing process and calls the file manager. The basic soft-key row is selected when the file manager is exited



Function	TNC 640	iTNC 530
<p>Datum table:</p> <ul style="list-style-type: none"> ■ Sorting function by values within an axis ■ Resetting the table ■ Hiding axes that are not present ■ Switching the list/form view ■ Inserting individual line ■ Transfer of actual position values in individual axis to the datum table per keystroke ■ Transfer of actual position values in all active axes to the datum table per keystroke ■ Using a key to capture the last positions measured by TS <p>FK free contour programming:</p> <ul style="list-style-type: none"> ■ Programming of parallel axes ■ Automatic correction of relative references 	<ul style="list-style-type: none"> ■ Available ■ Available ■ Not available ■ Switchover via split-screen key ■ Allowed everywhere, renumbering possible after request. Empty line is inserted, must be filled with zeros manually ■ Not available ■ Not available ■ Not available ■ With X/Y coordinates, independent of machine type; switchover with FUNCTION PARAXMODE ■ Relative references in contour subprograms are not corrected automatically 	<ul style="list-style-type: none"> ■ Not available ■ Not available ■ Available ■ Switchover by toggle soft key ■ Only allowed at end of table. Line with value 0 in all columns is inserted ■ Available ■ Available ■ Available ■ Machine-dependent with the existing parallel axes ■ All relative references are corrected automatically
<p>Handling of error messages:</p> <ul style="list-style-type: none"> ■ Help for error messages ■ Switching the operating mode while help menu is active ■ Selecting the background operating mode while help menu is active ■ Identical error messages ■ Acknowledgment of error messages ■ Access to protocol functions ■ Saving service files 	<ul style="list-style-type: none"> ■ Call via ERR key ■ Help menu is closed when the operating mode is switched ■ Help menu is closed when F12 is used for switching ■ Are collected in a list ■ Every error message (even if it is displayed more than once) must be acknowledged, the Delete all function is available ■ Log and powerful filter functions (errors, keystrokes) are available ■ Available. No service file is created when the system crashes 	<ul style="list-style-type: none"> ■ Call via HELP key ■ Operating mode switchover is not allowed (key is non-functional) ■ Help menu remains open when F12 is used for switching ■ Are displayed only once ■ Error message to be acknowledged only once ■ Complete log without filter functions available ■ Available. A service file is automatically created when the system crashes



Function	TNC 640	iTNC 530
Find function: <ul style="list-style-type: none"> ■ List of words recently searched for ■ Show elements of active block ■ Show list of all available NC blocks 	<ul style="list-style-type: none"> ■ Not available ■ Not available ■ Not available 	<ul style="list-style-type: none"> ■ Available ■ Available ■ Available
Starting the find function with the up/down arrow keys when highlight is on a block	Works with max. 9999 blocks, can be set via config datum	No limitation regarding program length
Programming graphics: <ul style="list-style-type: none"> ■ True-to-scale display of grid ■ Editing contour subprograms in SLII cycles with AUTO DRAW ON ■ Moving the zoom window 	<ul style="list-style-type: none"> ■ Available ■ If error messages occur, the cursor is on the CYCL CALL block in the main program ■ Repeat function not available 	<ul style="list-style-type: none"> ■ Not available ■ If error messages occur, the cursor is on the error-causing block in the contour subprogram ■ Repeat function available
Programming minor axes: <ul style="list-style-type: none"> ■ Syntax FUNCTION PARAXCOMP: Define the behavior of the display and the paths of traverse ■ Syntax FUNCTION PARAXMODE: Define the assignment of the parallel axes to be traversed 	<ul style="list-style-type: none"> ■ Available ■ Available 	<ul style="list-style-type: none"> ■ Not available ■ Not available
Programming OEM cycles <ul style="list-style-type: none"> ■ Access to table data ■ Access to machine parameters ■ Creating interactive cycles with CYCLE QUERY, e.g. touch-probe cycles in Manual Operation mode 	<ul style="list-style-type: none"> ■ Via SQL commands ■ With the CFGREAD function ■ Available 	<ul style="list-style-type: none"> ■ Via FN17/FN18 or TABREAD-TABWRITE functions ■ Via FN18 functions ■ Not available



Comparison: Differences in Test Run, functionality

Function	TNC 640	iTNC 530
Display of delta values DR and DL from TOOL CALL block	Are not considered	Are considered
Test Run up to block N	Function not available	Function available
Calculation of machining time	Each time the simulation is repeated by pressing the START soft key, the machining time is totaled	Each time the simulation is repeated by pressing the START soft key, time calculation starts at 0

Comparison: Differences in Test Run, operation

Function	TNC 640	iTNC 530
Arrangement of soft-key rows and soft keys within the rows	Arrangement of soft-key rows and soft-keys varies depending on the active screen layout.	
Zoom function	Each sectional plane can be selected by individual soft keys	Sectional plane can be selected via three toggle soft keys
Machine-specific miscellaneous functions M	Lead to error messages if they are not integrated in the PLC	Are ignored during Test Run
Displaying/editing the tool table	Function available via soft key	Function not available



Comparison: Differences in Manual Operation, functionality

Function	TNC 640	iTNC 530
Manual probing cycles in the tilted working plane (3D ROT: Active)	Manual probing cycles in the tilted working plane can only be used if 3D-ROT for Manual and Automatic operating modes is set to "Active".	Manual probing cycles in the tilted working plane can only be used if 3D-ROT for Manual operating mode is set to "Active".
Jog increment function	The jog increment can be defined separately for linear and rotary axes	The jog increment applies for both linear and rotary axes
Preset table	<p>Basic transformation (translation and rotation) of machine table system to workpiece system via the columns X, Y and Z, as well as spatial angles SPA, SPB and SPC.</p> <p>In addition, the columns X_OFFSET to W_OFFSET can be used to define the axis offset of each individual axis. The function of the axis offsets can be configured.</p>	<p>Basic transformation (translation) of machine table system to workpiece system via the columns X, Y and Z, as well as a ROT basic rotation in the working plane (rotation).</p> <p>In addition, the columns A to W can be used to define datums in the rotary and parallel axes.</p>
Behavior during presetting	<p>Presetting in a rotary axis has the same effect as an axis offset. The offset is also effective for kinematics calculations and for tilting the working plane.</p> <p>The machine parameter CfgAxisPropKin->presetToAlignAxis is used to define whether the axis offset is to be taken into account internally after zero setting.</p> <p>Independently of this, an axis offset has always the following effects:</p> <ul style="list-style-type: none"> ■ An axis offset always influences the nominal position display of the affected axis (the axis offset is subtracted from the current axis value). ■ If a rotary axis coordinate is programmed in an L block, then the axis offset is added to the programmed coordinate. 	<p>Rotary axis offsets defined by machine parameters do not influence the axis positions that were defined in the Tilt working plane function.</p> <p>MP7500 bit 3 defines whether the current rotary axis position referenced to the machine datum is taken into account, or whether a position of 0° is assumed for the first rotary axis (usually the C axis).</p>
<p>Handling of preset table:</p> <ul style="list-style-type: none"> ■ Editing the preset table in the Programming mode of operation ■ Preset tables that depend on the range of traverse <p>Definition of feed-rate limitation</p>	<ul style="list-style-type: none"> ■ Possible ■ Not available <p>Feed-rate limitation can be defined separately for linear and rotary axes</p>	<ul style="list-style-type: none"> ■ Not possible ■ Available <p>Only one feed-rate limitation can be defined for linear and rotary axes</p>



Comparison: Differences in Manual Operation, operation

Function	TNC 640	iTNC 530
Capturing the position values from mechanical probes	Actual-position capture by soft key	Actual-position capture by hard key
Exiting the touch probe functions menu	Only via the END soft key	Via the END soft key or the END hard key
Exiting the preset table	Only through the BACK/END soft keys	Through the END hard key at any time
Multiple editing of tool table TOOL.T, or pocket table tool_p.tch	Soft-key row that was last active before exiting is active	Permanently defined soft-key row (soft-key row 1) is displayed



Comparison: Differences in Program Run, operation

Function	TNC 640	iTNC 530
Arrangement of soft-key rows and soft keys within the rows	Arrangement of soft-key rows and soft-keys varies depending on the active screen layout.	
Operating-mode switchover after program run was interrupted by switching to the Single Block mode of operation, and canceled by INTERNAL STOP	When you return to the Program Run mode of operation: Error message Selected block not addressed . Use mid-program startup to select the point of interruption	Switching the operating mode is allowed, modal information is saved, program run can be continued by pressing NC start
GOTO is used to go to FK sequences after program run was interrupted there before switching the operating mode	Error message FK programming: Undefined starting position	GOTO allowed
Mid-program startup: <ul style="list-style-type: none"> ■ Behavior after restoring the machine status ■ Completing positioning for mid-program startup ■ Switching the screen layout for mid-program startup 	<ul style="list-style-type: none"> ■ The menu for returning must be selected with the RESTORE POSITION soft key ■ After position has been reached, positioning mode must be exited with the RESTORE POSITION soft key ■ Only possible, if startup position has already been approached 	<ul style="list-style-type: none"> ■ Menu for returning is selected automatically ■ The positioning mode is automatically exited after the position has been reached ■ Possible in all operating states
Error messages	Error messages are still active after the error has been corrected and must be acknowledged separately	Error messages are sometimes acknowledged automatically after the error has been corrected
Manual traverse during program interruption and with active M118	Function not available	Function available



Comparison: Differences in Program Run, traverse movements



Caution: Check the traverse movements!

NC programs that were created on earlier TNC controls may lead to different traverse movements or error messages on a TNC 640!

Be sure to take the necessary care and caution when running-in programs!

Please find a list of known differences below. The list does not pretend to be complete!

Function	TNC 640	iTNC 530
Handwheel-superimposed traverse with M118	Effective in the active coordinate system (which may also be rotated or tilted), or in the machine-based coordinate system, depending on the setting in the 3-D ROT menu for manual operation	Effective in the machine-based coordinate system
M118 in conjunction with M128	Function not available	Function available
Approach/Departure with APPR/DEP , RO is active, contour element plane is not equal to working plane	If possible, the blocks are executed in the defined contour element plane , error message for APPRLN , DEPLN , APPRCT , DEPCT	If possible, the blocks are executed in the defined working plane ; error message for APPRLN , APPRLT , APPRCT , APPRLCT
Scaling approach/departure movements (APPR/DEP/RND)	Axis-specific scaling factor is allowed, radius is not scaled	Error message
Approach/departure with APPR/DEP	Error message if RO is programmed for APPR/DEP LN or APPR/DEP CT	Tool radius 0 and compensation direction RR are assumed
Approach/departure with APPR/DEP if contour elements with length 0 are defined	Contour elements with length 0 are ignored. The approach/departure movements are calculated for the first or last valid contour element	An error message is issued if a contour element with length 0 is programmed after the APPR block (relative to the first contour point programmed in the APPR block) For a contour element with length 0 before a DEP block, the TNC does not issue an error message, but uses the last valid contour element to calculate the departure movement
Effect of Q parameters	Q60 to Q99 (or QS60 to QS99) are always local	Q60 to Q99 (or QS60 to QS99) are local or global, depending on MP7251 in converted cycle programs (.cyc). Nested calls may cause problems



Function	TNC 640	iTNC 530
Automatic cancelation of tool radius compensation	<ul style="list-style-type: none"> ■ Block with R0 ■ DEP block ■ END PGM 	<ul style="list-style-type: none"> ■ Block with R0 ■ DEP block ■ PGM CALL ■ Programming of Cycle 10 ROTATION ■ Program selection
NC blocks with M91	No consideration of tool radius compensation	Consideration of tool radius compensation
Tool shape compensation	Tool shape compensation is not supported, because this type of programming is considered to be axis-value programming, and the basic assumption is that axes do not form a Cartesian coordinate system	Tool shape compensation is supported
Mid-program startup in a point table	The tool is positioned above the next position to be machined	The tool is positioned above the last position that has been completely machined
Empty CC block (pole of last tool position is used) in NC program	Last positioning block in the working plane must contain both coordinates of the working plane	Last positioning block in the working plane does not necessarily need to contain both coordinates of the working plane. Can cause problems with RND or CHF blocks
Axis-specific scaling of RND block	RND block is scaled, the result is an ellipse	Error message is issued
Reaction if a contour element with length 0 is defined before or after a RND or CHF block	Error message is issued	<p>Error message is issued if a contour element with length 0 is located before the RND or CHF block</p> <p>Contour element with length 0 is ignored if the contour element with length 0 is located after the RND or CHF block</p>
Circle programming with polar coordinates	The incremental rotation angle IPA and the direction of rotation DR must have the same sign. Otherwise, an error message will be issued	The algebraic sign of the direction of rotation is used if the sign defined for DR differs from the one defined for IPA
Tool radius compensation on circular arc or helix with angular length = 0	The transition between the adjacent elements of the arc/helix is generated. Also, the tool axis motion is executed right before this transition. If the element is the first or last element to be corrected, the next or previous element is dealt with in the same way as the first or last element to be corrected	The equidistant line of the arc/helix is used for generating the tool path
Checking the algebraic sign of the depth parameter in fixed cycles	Must be deactivated if Cycle 209 is used	No restrictions



Function	TNC 640	iTNC 530
Compensation of tool length in the position display	The values L and DL from the tool table and the value DL from the TOOL CALL are taken into account in the position display	The values L and DL from the tool table are taken into account in the position display
Traverse movement in spacial arc	Error message is issued	No restrictions
SLII Cycles 20 to 24: <ul style="list-style-type: none"> ■ Number of definable contour elements ■ Define the working plane ■ Position at end of SL cycle ■ Handling of islands which are not contained in pockets ■ Set operations for SL cycles with complex contour formulas ■ Radius compensation is active during CYCL CALL ■ Paraxial positioning blocks in contour subprogram ■ Miscellaneous functions M in contour subprogram ■ M110 (feed-rate reduction for inside corner) 	<ul style="list-style-type: none"> ■ Max. 16384 blocks in up to 12 subcontours ■ Tool axis in TOOL CALL block defines the working plane ■ End position = clearance height above the last position that is defined before the cycle call ■ Cannot be defined with complex contour formula ■ Real set operation possible ■ Error message is issued ■ Error message is issued ■ Error message is issued ■ Function does not work within SL cycles 	<ul style="list-style-type: none"> ■ Max. 8192 contour elements in up to 12 subcontours, no restrictions for subcontour ■ The axes of the first positioning block in the first subcontour define the working plane ■ With MP7420, you can define whether the end position is above the last programmed position, or whether the tool moves only to clearance height ■ Restricted definition in complex contour formula is possible ■ Only restricted performance of real set operation possible ■ Radius compensation is canceled, program is executed ■ Program is executed ■ M functions are ignored ■ Function also works within SL cycles
SLII Contour Train Cycle 25: APPR/DEP blocks in contour definition	Not allowed, machining of closed contours is more coherent	APPR/DEP blocks are allowed as contour elements
General cylinder surface machining: <ul style="list-style-type: none"> ■ Contour definition ■ Offset definition on cylinder surface ■ Offset definition for basic rotation ■ Circle programming with C/CC ■ APPR/DEP blocks in contour definition 	<ul style="list-style-type: none"> ■ With X/Y coordinates, independent of machine type ■ With datum shift in X/Y, independent of machine type ■ Function available ■ Function available ■ Function not available 	<ul style="list-style-type: none"> ■ Machine-dependent, with existing rotary axes ■ Machine-dependent datum shift in rotary axes ■ Function not available ■ Function not available ■ Function available
Cylinder surface machining with Cycle 28: <ul style="list-style-type: none"> ■ Complete roughing-out of slot ■ Definable tolerance 	<ul style="list-style-type: none"> ■ Function available ■ Function available 	<ul style="list-style-type: none"> ■ Function not available ■ Function available
Cylinder surface machining with Cycle 29	Direct plunging to contour of ridge	Circular approach to contour of ridge



Function	TNC 640	iTNC 530
Cycles 25x for pockets, studs and slots:		
<ul style="list-style-type: none"> ■ Plunging movements 	In limit ranges (geometrical conditions of tool/contour) error messages are triggered if plunging movements lead to unreasonable/critical behavior	In limit ranges (geometrical conditions of tool/contour), vertical plunging is used if required
<ul style="list-style-type: none"> ■ Rough out strategy Cycle 251 	The lateral infeed with rough out movements is calculated according to the ratio of "longer side/shorter side". With longer pockets this means a longer run-time.	The lateral proportioning of cuts is calculated with the maximum overlapping factor.
PLANE function: <ul style="list-style-type: none"> ■ TABLE ROT/COORD ROT not defined ■ Machine is configured for axis angle ■ Programming an incremental spatial angle according to PLANE AXIAL ■ Programming an incremental axis angle according to PLANE SPATIAL if the machine is configured for spatial angle 	<ul style="list-style-type: none"> ■ Configured setting is used ■ All PLANE functions can be used ■ Error message is issued ■ Error message is issued 	<ul style="list-style-type: none"> ■ COORD ROT is used ■ Only PLANE AXIAL is executed ■ Incremental spatial angle is interpreted as an absolute value ■ Incremental axis angle is interpreted as an absolute value
Special functions for cycle programming: <ul style="list-style-type: none"> ■ FN17 ■ FN18 	<ul style="list-style-type: none"> ■ Function available, details are different ■ Function available, details are different 	<ul style="list-style-type: none"> ■ Function available, details are different ■ Function available, details are different
Compensation of tool length in the position display	The DL value from the TOOL CALL and the tool length entries L and DL from the tool table are taken into account in the position display	The tool length entries L and DL from the tool table are taken into account in the position display



Comparison: Differences in MDI operation

Function	TNC 640	iTNC 530
Execution of connected sequences	Function partially available	Function available
Saving modally effective functions	Function partially available	Function available

Comparison: Differences in programming station

Function	TNC 640	iTNC 530
Demo version	Programs with more than 100 NC blocks cannot be selected, an error message is issued	Programs can be selected, max. 100 NC blocks are displayed, further blocks are truncated in the display
Demo version	If nesting with PGM CALL results in more than 100 NC blocks, there is no test graphic display; an error message is not issued	Nested programs can be simulated.
Copying NC programs	Copying to and from the directory TNC:\ is possible with Windows Explorer	TNCremo or file manager of programming station must be used for copying
Shifting the horizontal soft-key row	Clicking the soft-key bar shifts the soft-key row to the right, or to the left	Clicking any soft-key bar activates the respective soft-key row



Symbole

- 3-D compensation ... 399
 - Delta values ... 401
 - Face milling ... 402
 - Normalized vector ... 400
 - Peripheral milling ... 404
 - Tool orientation ... 402
 - Tool shapes ... 401
- 3-D line graphics ... 493
- 3-D touch probes
 - Calibrating
 - Triggering ... 457
- 3-D view ... 488

A

- Accessories ... 76
- Actual position capture ... 90
- Adding Comments ... 124
- ASCII files ... 356
- Automatic program start ... 507
- Automatic tool measurement ... 152

B

- Backup, data ... 99
- Basic rotation
 - Measuring in the Manual Operation mode ... 462
- Baud rate, setting the... ... 516, 517
- Block
 - Deleting ... 92
 - Inserting, editing ... 92
- Blocks
- BMP files, opening ... 118
- Buffer battery exchange ... 549

C

- Calculating with parentheses ... 295
- Calculator ... 128
- CAM programming ... 399
- Chamfer ... 193
- Circle calculations ... 256
- Circle center ... 195
- Circular path ... 196, 197, 199, 206, 207
- Code numbers ... 515
- Comments, adding ... 126
- Comparison of functions ... 555
- Compensating workpiece misalignment
 - By measuring two points of a line ... 461
- Context-sensitive help ... 137
- Contour approach ... 183
 - With polar coordinates ... 185
- Contour departure ... 183
 - With polar coordinates ... 185
- Conversational programming ... 88
- Coordinate transformation ... 354
- Copying program sections ... 94
- Corner rounding ... 194
- Cylinder ... 319

D

- Data interface
 - Pin layout ... 540
 - Setting ... 516
- Data transfer rate ... 516, 517
- Data transfer software ... 519
- Datum management ... 449
- Datum setting ... 447
 - without a 3-D touch probe ... 447
- Datum setting, manual
 - Circle center as datum ... 465
 - Corner as datum ... 464
 - In any axis ... 463
- Datum shift ... 354
 - Coordinate input ... 354
 - Resetting ... 355
 - Via datum table ... 355
- Datum table
 - Confirming probed values ... 456
- Datum, setting the ... 84
- Dialog ... 88
- Directory ... 100, 105
 - Copying ... 108
 - Creating ... 105
 - Deleting ... 110

E

- Ellipse ... 317
- Error messages ... 132
 - Help for ... 132
- Ethernet interface
 - Configuring ... 522
 - Connecting and disconnecting network drives ... 121
 - Connection possibilities ... 521
 - Introduction ... 521
- Excel files, opening ... 115
- External data transfer
 - iTNC 530 ... 119

F

- FCL ... 514
- FCL function ... 9
- Feature content level ... 9
- Feed rate ... 444
 - Changing ... 445
 - For rotary axes, M116 ... 387
 - Input possibilities ... 89
- Feed rate factor for plunging movements M103 ... 334
- Feed rate in millimeters per spindle revolution M136 ... 335
- File
 - Creating ... 105
- File functions ... 353
- File management ... 100
 - Calling ... 102
 - Copying a table ... 108
 - Deleting a file ... 109
 - Directories ... 100
 - Copying ... 108
 - Creating ... 105
 - External data transfer ... 119
- File
 - Creating ... 105
- File name ... 98
- File selection ... 103
- File type ... 97
 - External file types ... 99
- File, copying ... 106
- File, protecting ... 113
- File, renaming ... 112
- File, sorting ... 112
- Marking files ... 111
- Overview of functions ... 101
- Overwriting files ... 107



- F**
- File status ... 102
 - FK programming ... 212
 - Circular paths ... 217
 - Dialog initiation ... 215
 - Fundamentals ... 212
 - Graphics ... 214
 - Input possibilities
 - Auxiliary points ... 222
 - Circle data ... 220
 - Closed contours ... 221
 - Direction and length of contour elements ... 219
 - End points ... 218
 - Relative data ... 223
 - Straight lines ... 216
 - FN14: ERROR: Displaying error messages ... 262
 - FN15: PRINT: Formatted output of texts ... 267
 - FN18: SYSREAD: Read system data ... 271
 - FN19: PLC: Transfer values to the PLC ... 280
 - FN20: WAIT FOR: NC and PLC synchronization ... 280
 - FN23: CIRCLE DATA: Calculating a circle from 3 points ... 256
 - FN24: CIRCLE DATA: Calculating a circle from 4 points ... 256
 - Full circle ... 196
 - Fundamentals ... 80
- G**
- GIF files, opening ... 118
 - Graphic simulation ... 491
 - Tool display ... 491
 - Graphics
 - Display modes ... 486
 - During programming ... 130
 - Detail enlargement ... 131
 - Magnification of details ... 490
- H**
- Hard disk ... 97
 - Helical interpolation ... 208
 - Helix ... 208
 - Help files, downloading ... 142
 - Help for error messages ... 132
 - Help system ... 137
 - HTML files, displaying ... 115
- I**
- Image files, opening ... 118
 - Inclined turning ... 431
 - Inclined-tool machining in a tilted plane ... 385
 - Indexed tools ... 154
 - Information on formats ... 548
 - INI files, opening ... 117
 - Internet files, displaying ... 115
 - iTNC 530 ... 58
- J**
- JPG files, opening ... 118
- L**
- Local Q parameters, defining ... 250
 - Look-ahead ... 337
- M**
- M functions
 - See "Miscellaneous functions"
 - M91, M92 ... 328
 - Machine axes, moving the ... 441
 - In increments ... 442
 - With the electronic handwheel ... 443
 - With the machine axis direction buttons ... 441
 - Machine parameters, reading ... 308
 - Machining time, measuring the ... 492
 - Machining, interrupting... ... 501
 - Mid-program startup ... 504
 - After power failure ... 504
 - Miscellaneous Functions
 - Miscellaneous functions
 - Entering ... 326
 - For contouring behavior ... 331
 - For coordinate data ... 328
 - For program run control ... 327
 - For rotary axes ... 387
 - For spindle and coolant ... 327
 - MOD function
 - Exiting ... 512
 - Overview ... 513
 - Select ... 512
 - Multiaxis machining ... 394
- N**
- NC and PLC synchronization ... 280
 - NC error messages ... 132
 - Nesting ... 237
 - Network connection ... 121
 - Network settings ... 522
 - Nonvolatile Q parameters, defining ... 250
 - Normal vector ... 373, 386, 399, 400
- O**
- Open contour corners M98 ... 333
 - Operating modes ... 62
 - Operating panel ... 61
 - Operating times ... 530
 - Option number ... 514
 - Output of data to the server ... 270
- P**
- Pallet table
 - Application ... 408
 - Entering coordinates ... 409
 - Executing ... 411
 - Selecting and exiting ... 410
 - Parallel axes ... 347
 - Parametric programming: See Q parameter programming
 - PARAXCOMP ... 347
 - PARAXMODE ... 347
 - Part families ... 251
 - Path ... 100
 - Path contours
 - Cartesian coordinates
 - Circular arc with tangential connection ... 199
 - Circular path around circle center CC ... 196
 - Circular path with defined radius ... 197
 - Overview ... 191
 - Straight line ... 192
 - Polar coordinates
 - Circular arc with tangential connection ... 207
 - Circular path around pole CC ... 206
 - Overview ... 204
 - Straight line ... 205



P

- Path functions
 - Fundamentals ... 178
 - Circles and circular arcs ... 180
 - Pre-position ... 181
- PDF viewer ... 114
- Pin layout for data interfaces ... 540
- Plan view ... 486
- PLANE function ... 363
 - Automatic positioning ... 380
 - Axis angle definition ... 378
 - Euler angle definition ... 371
 - Inclined-tool machining ... 385
 - Incremental definition ... 377
 - Points definition ... 375
 - Positioning behavior ... 380
 - Projection angle definition ... 369
 - Reset ... 366
 - Selection of possible solutions ... 383
 - Spatial angle, definition ... 367
 - Vector definition ... 373
- PLC and NC synchronization ... 280
- PNG files, opening ... 118
- Pocket table ... 157
- Polar coordinates
 - Approach/depart contour ... 185
 - Fundamentals ... 82
 - Programming ... 204
- Positioning
 - With a tilted working plane ... 330, 393
 - With manual data input (MDI) ... 478
- Preset table ... 449
 - Confirming probed values ... 456
- Principal axes ... 81
- Program
 - Editing ... 91
 - Open new ... 86
 - Structure ... 85
 - Structuring ... 127

P

- Program call
 - Any desired program as subroutine ... 235
- Program defaults ... 345
- Program management: see File management
- Program name: See File management, File name
- Program Run
 - Executing ... 500
- Program run
 - Interrupting ... 501
 - Mid-program startup ... 504
 - Optional block skip ... 508
 - Overview ... 499
 - Resuming after an interruption ... 503
- Program sections, copying ... 94
- Programming graphics ... 214
- Programming tool movements ... 88
- Program-section repeat ... 234
- Projection in three planes ... 487

Q

- Q parameter programming ... 248, 299
 - Basic arithmetic (assign, add, subtract, multiply, divide, square root) ... 252
 - Circle calculations ... 256
 - Programming notes ... 249
 - Trigonometric functions ... 254
- Q parameters
 - Checking ... 259
 - Formatted output ... 267
 - Local QL parameters ... 248
 - Nonvolatile QR parameters ... 248
 - Preassigned ... 311
 - Transferring values to the PLC ... 280, 282, 283
- Q-parameter programming
 - Additional functions ... 261
 - If/then decisions ... 257
 - Programming notes ... 301, 302, 303, 305, 307

R

- Radius compensation ... 174
 - Input ... 175
 - Outside corners, inside corners ... 176
- Rapid traverse ... 146
- Recessing and undercutting ... 424
- Reference points, crossing over ... 438
- Reference system ... 81
- Replacing texts ... 96
- Retraction from the contour ... 340
- Returning to the contour ... 506
- Rotary axis
 - Reducing display M94 ... 389
 - Shorter-path traverse: M126 ... 388

S

- Screen ... 59
- Screen layout ... 60
- Screen output of data ... 270
- Search function ... 95
- Secondary axes ... 81
- Software number ... 514
- SPEC FCT ... 344
- Special functions ... 344
- Specifications ... 542
- Sphere ... 321
- Spindle speed, changing the ... 445
- Spindle speed, entering ... 160
- SQL commands ... 284
- Status display ... 65
 - Additional ... 67
 - General ... 65
- Straight line ... 192, 205
- String parameters ... 299
- Structuring programs ... 127
- Subprogram ... 233
- Superimposing handwheel positioning M118 ... 339
- Switch-off ... 440
- Switch-on ... 438



- T**
- T vector ... 400
 - Table access ... 284
 - TCPM ... 394
 - Resetting ... 398
 - Teach in ... 90, 192
 - Test run
 - Executing ... 498
 - Overview ... 496
 - Speed setting ... 485
 - Text file
 - Delete functions ... 358
 - Opening and exiting ... 356
 - Text sections, finding ... 360
 - Text files, opening ... 117
 - Text variables ... 299
 - Tilting axes ... 390
 - Tilting the working plane ... 363, 470
 - TNCguide ... 137
 - TNCremo ... 519
 - TNCremoNT ... 519
 - Tool change ... 161
 - Tool compensation
 - Length ... 173
 - Radius ... 174
 - Three-dimensional ... 399
 - Tool data
 - Calling ... 160
 - Delta values ... 149
 - Entering into programs ... 149
 - Entering into tables ... 150
 - Indexing ... 154
 - Tool length ... 148
 - Tool management ... 166
 - Tool measurement ... 152
 - Tool name ... 148
 - Tool number ... 148
 - Tool radius ... 148
 - Tool table
 - Editing functions ... 154, 168, 169
 - Editing, exiting ... 153
 - Input possibilities ... 150
- T**
- Tool usage file ... 164
 - Tool usage test ... 164
 - Touch probe cycles
 - Manual Operation mode ... 455
 - See User's Manual for Touch Probe Cycles
 - Touch probe functions, use with
 - mechanical probes or dial gauges ... 469
 - Touch probe monitoring ... 341
 - TRANS DATUM ... 354
 - Trigonometric functions ... 254
 - Trigonometry ... 254
 - Turning ... 414
 - Feed rate ... 419
 - Program speed ... 418
 - Tool data ... 421
 - Tool tip radius compensation ... 423
 - Turning mode selection ... 415
 - TXT files, opening ... 117
- U**
- Unbalance functions ... 433
 - Unit of measure, selection ... 86
 - USB devices, connecting/
 - removing ... 122
 - User parameters
 - Machine-specific ... 532
- V**
- Version numbers ... 515
- W**
- Window Manager ... 74
 - Working plane, tilting
 - Manually ... 470
 - Working space, monitoring ... 495, 498
 - Workpiece blank, defining ... 86
 - Workpiece measurement ... 466
 - Workpiece positions
 - Absolute ... 83
 - Incremental ... 83
 - Writing probed values in datum tables ... 456
 - Writing probed values in preset table ... 456
- Z**
- ZIP archive ... 116



HEIDENHAIN

DR. JOHANNES HEIDENHAIN GmbH

Dr.-Johannes-Heidenhain-Straße 5

83301 Traunreut, Germany

☎ +49 8669 31-0

FAX +49 8669 5061

E-mail: info@heidenhain.de

Technical support FAX +49 8669 32-1000

Measuring systems ☎ +49 8669 31-3104

E-mail: service.ms-support@heidenhain.de

TNC support ☎ +49 8669 31-3101

E-mail: service.nc-support@heidenhain.de

NC programming ☎ +49 8669 31-3103

E-mail: service.nc-pgm@heidenhain.de

PLC programming ☎ +49 8669 31-3102

E-mail: service.plc@heidenhain.de

Lathe controls ☎ +49 8669 31-3105

E-mail: service.lathe-support@heidenhain.de

www.heidenhain.de

Touch probes from HEIDENHAIN

help you reduce non-productive time and improve the dimensional accuracy of the finished workpieces.

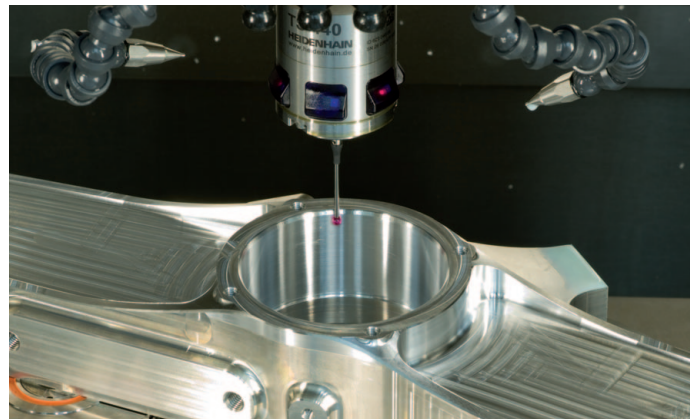
Workpiece touch probes

TS 220 Signal transmission by cable

TS 440, TS 444 Infrared transmission

TS 640, TS 740 Infrared transmission

- Workpiece alignment
- Setting datums
- Workpiece measurement



Tool touch probes

TT 140 Signal transmission by cable

TT 449 Infrared transmission

TL Contact-free laser systems

- Tool measurement
- Wear monitoring
- Tool breakage detection

