

1	2367322-1	ROT-T*072-B1 A0281-B301 without cap	2
1	2341281-1	Gehäuse kpl. / Bauform T2	1
2367237-1	PARTNUMBER	DESCRIPTION	ITEM NO
REVISION OF EACH ASSY NO. (WHEN BLANK, USE DWG. REVISION)			
PARTS LIST			

P	LTR	DESCRIPTION	DATE	DWN	APVD
A		REVISED PER ECR-20-002493	11FEB2020	GK	OD

Ø50h7 +0  
-0.025

Achtung:  
Jeweils die angegebenen Aderpaare einmal auf 25mm  
verseilen : blau und gelb / rot und schwarz /  
rotweiss und gelbweiss

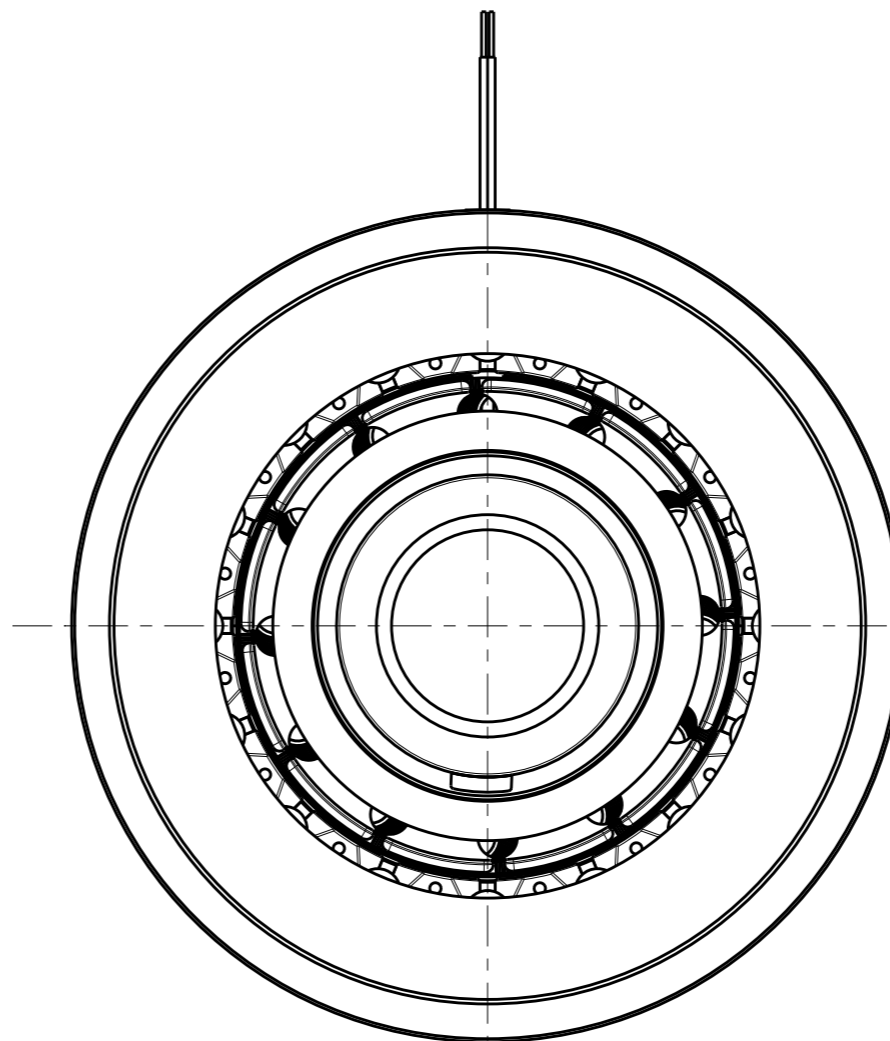
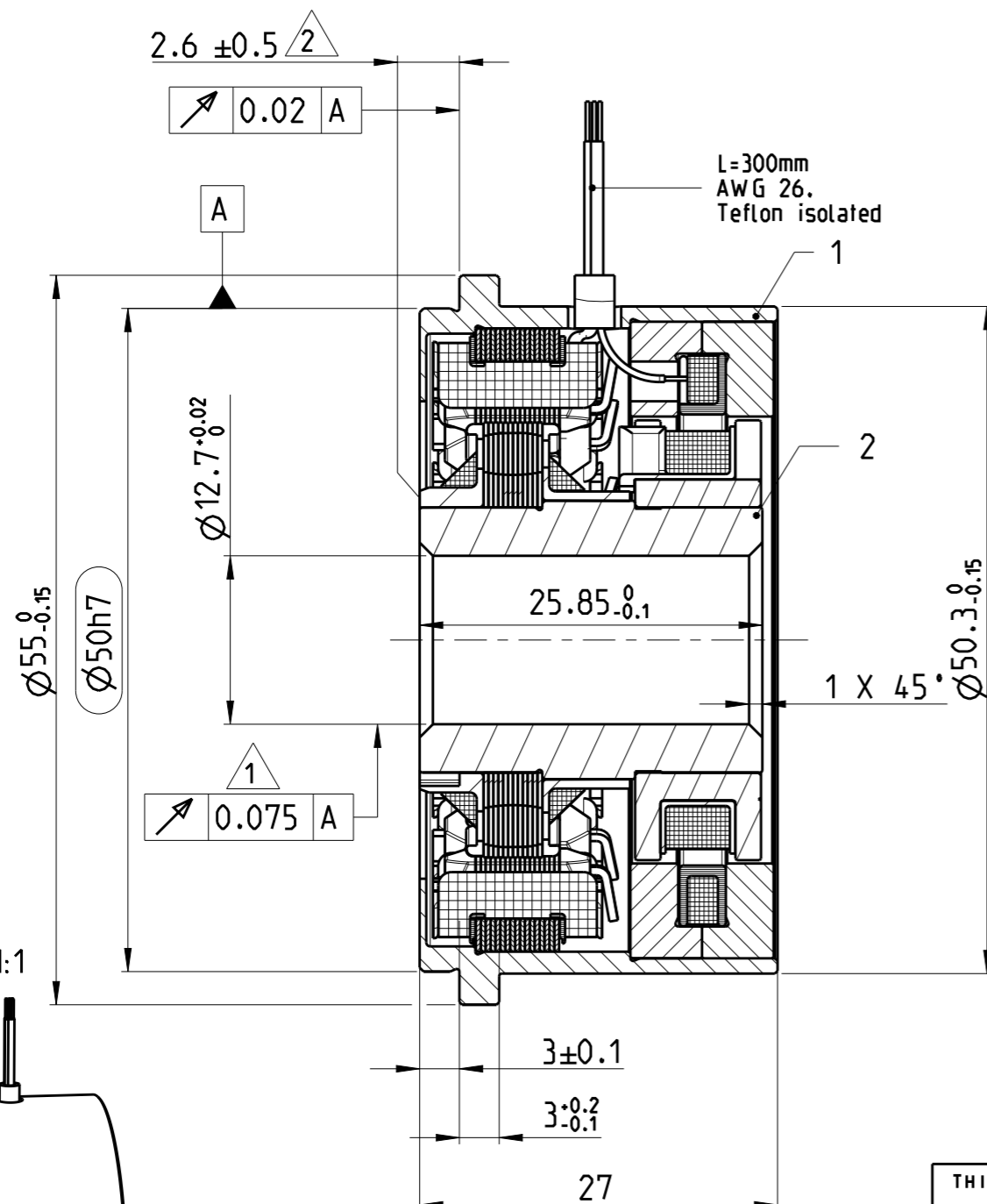
Attention:  
The specified cable pairs have to twist once at 25mm :  
blue and yellow / red and black /  
red-white and yellow-white

Resolverstator u.-rotor nur paarig verwenden !

Use only paired stator and rotor !

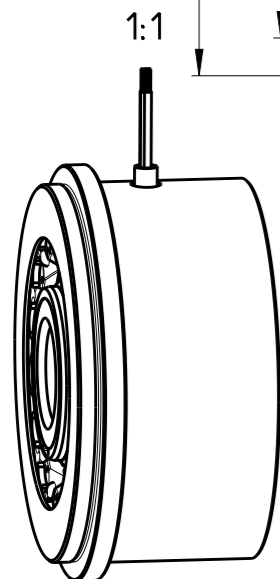
1 Gesamtschlag im eingebauten Zustand  
concentricity in installed situa


2 Axialversatz  
axial displacement



Signal	conductor colouring
S1(COS+)	RED
S2(SIN+)	YELLOW
S3(COS-)	BLACK
S4(SIN-)	BLUE
R1(REF+)	RED-WHITE
R2/R3(REF-)	YELLOW-WHITE

DIMENSIONS WITHOUT TOLERANCES : DIN ISO 2768-m



THIS DRAWING IS A CONTROLLED DOCUMENT.		DWN 20 JAN 2020 GOPALAKRISHNA HV	 TE Connectivity	
DIMENSIONS: mm		CHK 20 JAN 2020 SARFRAZ BILAL		
TOLERANCES UNLESS OTHERWISE SPECIFIED:		APVD 20 JAN 2020 ONDREJ DUSAN	NAME HOLLOW SHAFT RESOLVER / SZ.21 TYPE T2 CrMo V23401-T2072-B101	
0 PLC ±		PRODUCT SPEC	SIZE CAGE CODE DRAWING NO RESTRICTED TO	
1 PLC ±		APPLICATION SPEC	A3 00779 C-2367237	
2 PLC ±		WEIGHT	SCALE 2:1 SHEET 1 OF 1 REV A	
3 PLC ±		CUSTOMER DRAWING		
4 PLC ±				
ANGLES ±°				
FINISH				
MATERIAL				