

FANUC AC SERVO MOTOR α *i* series

DESCRIPTIONS

- No part of this manual may be reproduced in any form.
- All specifications and designs are subject to change without notice.

The products in this manual are controlled based on Japan's "Foreign Exchange and Foreign Trade Law". The export from Japan may be subject to an export license by the government of Japan.

Further, re-export to another country may be subject to the license of the government of the country from where the product is re-exported. Furthermore, the product may also be controlled by re-export regulations of the United States government.

Should you wish to export or re-export these products, please contact FANUC for advice.

The products are manufactured under strict quality control. However, when using any of the products in a facility in which a serious accident or loss is predicted due to a failure of the product, install a safety device.

In this manual we have tried as much as possible to describe all the various matters.

However, we cannot describe all the matters which must not be done, or which cannot be done, because there are so many possibilities.

Therefore, matters which are not especially described as possible in this manual should be regarded as "impossible".

SAFETY PRECAUTIONS

This "Safety Precautions" section describes the precautions which must be observed to ensure safety when using FANUC AC servo motors.

Users of any servo motor model are requested to read this "Safety Precautions" carefully before using the servo motor.

The users are also requested to read this manual carefully and understand each function of the motor for correct use.

The users are basically forbidden to do any behavior or action not mentioned in the "Safety Precautions." They are invited to ask FANUC previously about what behavior or action is prohibited.

Contents

DEFINITION OF WARNING, CAUTION, AND NOTE.....	s-1
WARNING.....	s-2
CAUTION.....	s-4
NOTE.....	s-5
CAUTION LABEL.....	s-6

DEFINITION OF WARNING, CAUTION, AND NOTE

This manual includes safety precautions for protecting the user and preventing damage to the machine. Precautions are classified into Warning and Caution according to their bearing on safety. Also, supplementary information is described as a Note. Read the Warning, Caution, and Note thoroughly before attempting to use the machine.

WARNING

Applied when there is a danger of the user being injured or when there is a damage of both the user being injured and the equipment being damaged if the approved procedure is not observed.

CAUTION

Applied when there is a danger of the equipment being damaged, if the approved procedure is not observed.

NOTE

The Note is used to indicate supplementary information other than Warning and Caution.

Those items described in CAUTION, if not observed, may lead to a serious result, depending on the situation. Each description of CAUTION provides important information. So, be sure to observe CAUTION.

- Read this manual carefully, and store it in a safe place.

WARNING

WARNING

- **Be sure to ground a motor frame.**

To avoid electric shocks, be sure to connect the grounding terminal in the terminal box to the grounding terminal of the machine.

- **Before starting to connect a motor to electric wires, make sure they are isolated from an electric power source.**

A failure to observe this caution is vary dangerous because you may get electric shocks.

- **Do not ground a motor power wire terminal or short-circuit it to another power wire terminal.**

A failure to observe this caution may cause electric shocks or a burned wiring.

* Some motors require a special connection such as a winding changeover. Refer to Chapter 7, "OUTLINE DRAWINGS" for details.

- **When connecting a cord such as a power line to the terminal block, use specified tightening torque to firmly connect the cord.**

If operation is performed with a loose terminal, the terminal block can overheat, resulting in a fire. Moreover, a terminal can be detached, resulting in a ground fault, short circuit, or electric shock.

- **Do not apply current when a terminal of the terminal block or the crimp terminal of a power line is exposed.**

If the hand or a conductive object touches a terminal of the terminal block or the crimp terminal of a power line, you may get electric shocks. Attach an insulation cover (accessory) onto the terminal block. Moreover, cover the crimp terminal at the tip of a power line with an insulation tube.

- **Assemble and install a power connector securely.**

If a power line is detached due to a failure in crimping or soldering, or a conductive area is exposed due to a failure in shell assembly, you may get electric shocks.

- **Do not touch a motor with a wet hand.**

A failure to observe this caution is vary dangerous because you may get electric shocks.

- **Before touching a motor, shut off the power to it.**

Even if a motor is not rotating, there may be a voltage across the terminals of the motor.

Especially before touching a power supply connection, take sufficient precautions.

Otherwise you may get electric shocks.

- **Do not touch any terminal of a motor for a while (at least 5 minutes) after the power to the motor is shut off.**

High voltage remains across power line terminals of a motor for a while after the power to the motor is shut off. So, do not touch any terminal or connect it to any other equipment. Otherwise, you may get electric shocks or the motor and/or equipment may get damaged.

- **On the machine, install a stop device for securing safety.**

The brake built into the servo motor is not a stop device for securing safety. The machine may not be held if a failure occurs.

- **Do not enter the area under the vertical axis without securing safety.**

If a vertical axis drop occurs unexpectedly, you may be injured.

 **WARNING**

- **Fasten a motor firmly before driving the motor.**

If a motor is driven when the motor is not fastened firmly or is fastened insufficiently, the motor can tumble or is removed, resulting in a danger. If the motor mounting section is not sufficiently strong, the machine may be damaged or the user may be injured.

- **Do not get close to a rotary section of a motor when it is rotating.**

When a motor is rotating, clothes or fingers can be caught, resulting in an injury.

- **Do not drive a motor with an object such as a key exposed.**

An object such as a key can be thrown away, resulting in an injury. Before rotating a motor, check that there is no object that is thrown away by motor rotation.

- **Do not apply a radial load exceeding the "allowable radial load".**

The shaft can break, and components can be thrown away. When the vertical axis is involved, a vertical axis drop can occur.

- **To drive a motor, use a specified amplifier and parameters.**

An incorrect combination of a motor, amplifier, and parameters may cause the motor to behave unexpectedly. This is dangerous, and the motor may get damaged.

- **Make sure that the load inertia ratio is not greater than specified value.**

If the motor stops from its maximum rotational speed with greater than specified load inertia ratio, the resistor element of the dynamic brake may become abnormally hot, possibly causing damage to the dynamic brake and a fire.

- **Do not bring any dangerous stuff near a motor.**

Motors are connected to a power line, and may get hot. If a flammable is placed near a motor, it may be ignited, catch fire, or explode.

- **Be safely dressed when handling a motor.**

Wear safety shoes or gloves when handling a motor as you may get hurt on any edge or protrusion on it or electric shocks.

- **Use a crane or lift to move a motor from one place to another.**

A motor is heavy, so that if you lift a motor by hand, you may be exposed to various risks. For example, the waist can be damaged, and the motor can drop to injure you. Use equipment such as a crane as needed. (For the weight of a motor, see Chapter 6, "SPECIFICATIONS".)

- **Do not touch a motor when it is running or immediately after it stops.**

A motor may get hot when it is running. Do not touch the motor before it gets cool enough. Otherwise, you may get burned.

- **Be careful not get your hair or cloths caught in a fan.**

Be careful especially for a fan used to generate an inward air flow.

Be careful also for a fan even when the motor is stopped, because it continues to rotate while the amplifier is turned on.

- **Install the components around a motor securely.**

If a component is displaced or removed during motor rotation, a danger can result.

CAUTION

CAUTION

- **Use the eyebolt of a motor to move the motor only.**

When a motor is installed on a machine, do not move the machine by using the eyebolt of the motor. Otherwise, the eyebolt and motor can be damaged.

- **Do not disassemble a motor.**

Disassembling a motor may cause a failure or trouble in it.

If disassembly is in need because of maintenance or repair, please contact a service representative of FANUC.

For pulse coder replacement, refer to the maintenance manual (B-65285EN or B-65325EN).

- **Do not machine and modify a motor.**

Do not machine and modify a motor in any case except when motor machining or modification is specified by FANUC. Modifying a motor may cause a failure or trouble in it.

- **Do not conduct dielectric strength or insulation test for a sensor.**

Such a test can damage elements in the sensor.

- **Be sure to connect motor cables correctly.**

An incorrect connection of a cable cause abnormal heat generation, equipment malfunction, or failure. Always use a cable with an appropriate current carrying capacity (or thickness). For how to connect cables to motors, refer to Chapter 7, "OUTLINE DRAWINGS".

- **Do not apply shocks to a motor or cause scratches to it.**

If a motor is subjected to shocks or is scratched, its components may be adversely affected, resulting in normal operation being impaired. Plastic components and sensors can be damaged easily. So, handle those components very carefully. In particular, do not lift a motor by using a plastic component, connector, terminal block, and so forth.

- **Do not step or sit on a motor, and do not put a heavy object on a motor.**

If you step or sit on a motor, it may get deformed or broken. Do not put a motor on another unless they are in packages.

- **When attaching a component having inertia, such as a pulley, to a motor, ensure that any imbalance between the motor and component is minimized.**

If there is a large imbalance, the motor may vibrates abnormally, resulting in the motor being broken.

- **Be sure to attach a key to a motor with a keyed shaft.**

If a motor with a keyed shaft runs with no key attached, it may impair torque transmission or cause imbalance, resulting in the motor being broken.

- **Use a motor under an appropriate environmental condition.**

Using a motor in an adverse environment may cause a failure or trouble in it. Refer to Chapter 3, "USAGE" for details of the operating and environmental conditions for motors.

- **Do not apply a commercial power source voltage directly to a motor.**

Applying a commercial power source voltage directly to a motor may result in its windings being burned. Be sure to use a specified amplifier for supplying voltage to the motor.

⚠ CAUTION**- Do not use the brake built into a motor for braking.**

The brake built into a servo motor is designed for holding. If the brake is used for braking, a failure can occur.

- Ensure that motors are cooled if they are those that require forcible cooling.

If a motor that requires forcible cooling is not cooled normally, it may cause a failure or trouble. For a fan-cooled motor, ensure that it is not clogged or blocked with dust and dirt. For a liquid-cooled motor, ensure that the amount of the liquid is appropriate and that the liquid piping is not clogged. For both types, perform regular cleaning and inspection.

- When storing a motor, put it in a dry (non-condensing) place at room temperature (0 to 40 °C).

If a motor is stored in a humid or hot place, its components may get damaged or deteriorated. In addition, keep a motor in such a position that its shaft is held horizontal and its terminal box is at the top.

- FANUC motors are designed for use with machines. Do not use them for any other purpose.

If a FANUC motor is used for an unintended purpose, it may cause an unexpected symptom or trouble. If you want to use a motor for an unintended purpose, previously consult with FANUC.

NOTE**NOTE****- Ensure that a base or frame on which a motor is mounted is strong enough.**

Motors are heavy. If a base or frame on which a motor is mounted is not strong enough, it is impossible to achieve the required precision.

- Do not remove a nameplate from a motor.

If a nameplate comes off, be careful not to lose it. If the nameplate is lost, the motor becomes unidentifiable, resulting in maintenance becoming impossible.

- When testing the winding or insulation resistance of a motor, satisfy the conditions stipulated in IEC60034.

Testing a motor under a condition severer than those specified in IEC60034 may damage the motor.

- For a motor with a terminal box, make a conduit hole for the terminal box in a specified position.

When making a conduit hole, be careful not to break or damage unspecified portions. Refer to an applicable specification manual.

- Before using a motor, measure its winding and insulation resistances, and make sure they are normal.

Especially for a motor that has been stored for a prolonged period of time, conduct these checks. A motor may deteriorate depending on the condition under which it is stored or the time during which it is stored. For the winding resistances of motors, refer to their respective specification manuals, or ask FANUC. For insulation resistances, see the following table.

NOTE

- **To use a motor as long as possible, perform periodic maintenance and inspection for it, and check its winding and insulation resistances.**

Note that extremely severe inspections (such as dielectric strength tests) of a motor may damage its windings. For the winding resistances of motors, refer to Chapter 6, "SPECIFICATIONS", or ask FANUC. For insulation resistances, see the following table.

MOTOR INSULATION RESISTANCE MEASUREMENT

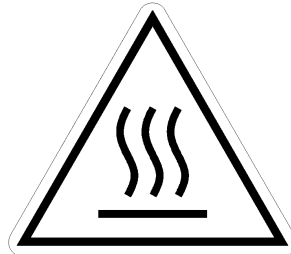
Measure an insulation resistance between each winding and motor frame using an insulation resistance meter (500 VDC). Judge the measurements according to the following table. Make an insulation resistance measurement on a single motor unit after detaching cords such as a power line.

Insulation resistance	Judgment
100 MΩ or higher	Acceptable
10 to 100 MΩ	The winding has begun deteriorating. There is no problem with the performance at present. Be sure to perform periodic inspection.
1 to 10 MΩ	The winding has considerably deteriorated. Special care is in need. Be sure to perform periodic inspection.
Lower than 1 MΩ	Unacceptable. Replace the motor.

CAUTION LABEL

The following label is attached to the motor.

Attach this label to a prominent place on the motor to call attention to the user.



Heat caution label
(compliance with the IEC
standard)

Heat caution label

Since the motor is heated to a high temperature during operation or immediately after a stop, touching the motor may cause a burn.

So, attach this label to a prominent place to call attention when the surface is exposed and may be touched.

Remark:

The mark of this label conforms to the IEC standard, which is a global standard.

The mark has the meaning of heat caution, so the description is omitted.

PREFACE

This manual describes the specifications, outline drawings, detectors and other options, usage, and selection method of the FANUC AC Servo Motor αi series ($\alpha iS/\alpha iF$ series).

This manual describes the layout of power pins and the output of detector signals but does not provide information about connection to a servo amplifier and an CNC. For the connection, refer to "FANUC SERVO AMPLIFIER αi series Descriptions (B-65282EN)", "FANUC SERVO AMPLIFIER βi series Descriptions (B-65322EN)", and "Maintenance Manual (B-65285EN)".

In this manual, servo motor names are sometimes abbreviated as follows:

Example) αiS 30/4000 → αiS 30

Related manuals

The following five kinds of manuals are available for FANUC SERVO MOTOR αi series. In the table, this manual is marked with an asterisk (*).

Document name	Document number	Major contents	Major usage	
FANUC AC SERVO MOTOR αi series DESCRIPTIONS	B-65262EN	<ul style="list-style-type: none"> • Specification • Characteristics • External dimensions 	<ul style="list-style-type: none"> • Selection of motor • Connection of motor 	*
FANUC SERVO AMPLIFIER αi series DESCRIPTIONS	B-65282EN	<ul style="list-style-type: none"> • Specifications and functions • Installation • External dimensions and maintenance area • Connections 	<ul style="list-style-type: none"> • Selection of amplifier • Connection of amplifier 	
FANUC SERVO AMPLIFIER βi series DESCRIPTIONS	B-65322EN			
FANUC AC SERVO MOTOR αi series FANUC AC SPINDLE MOTOR αi series FANUC SERVO AMPLIFIER αi series MAINTENANCE MANUAL	B-65285EN	<ul style="list-style-type: none"> • Start up procedure • Troubleshooting • Maintenance of motor 	<ul style="list-style-type: none"> • Start up the system (Hardware) • Troubleshooting • Maintenance of motor 	
FANUC AC SERVO MOTOR αi series FANUC AC SERVO MOTOR βi series FANUC LINEAR MOTOR LiS series FANUC SYNCHRONOUS BUILT-IN SERVO MOTOR DiS series PARAMETER MANUAL	B-65270EN	<ul style="list-style-type: none"> • Initial setting • Setting parameters • Description of parameters 	<ul style="list-style-type: none"> • Start up the system (Software) • Tuning the system (Parameters) 	

TABLE OF CONTENTS

SAFETY PRECAUTIONS	s-1
DEFINITION OF WARNING, CAUTION, AND NOTE	s-1
WARNING	s-2
CAUTION	s-4
NOTE	s-5
CAUTION LABEL	s-6
PREFACE	p-1
1 GENERAL	1
1.1 LINEUP OF THE SERIES	1
1.2 FEATURE	2
2 ORDERING SPECIFICATION NUMBER	4
2.1 ORDERING SPECIFICATION NUMBER	4
2.2 APPLICABLE AMPLIFIERS	8
3 USAGE	12
3.1 USE ENVIRONMENT FOR SERVO MOTORS	12
3.1.1 Ambient Temperature, Humidity, Installation Height, and Vibration	12
3.1.2 Usage Considering Environmental Resistance	13
3.1.3 Checking a Delivered Servo Motor and Storing a Servo Motor	18
3.1.4 Separating and Disposing of a Servo Motor	19
3.2 CONNECTING A SERVO MOTOR	19
3.2.1 Connections Related to a Servo Motor	19
3.3 MOUNTING A SERVO MOTOR	21
3.3.1 Methods for coupling the shaft	21
3.3.2 Fastening the Shaft	22
3.3.3 Allowable Axis Load for a Servo Motor	23
3.3.4 Shaft Run-out Precision of a Servo Motor	23
3.3.5 Other Notes on Axis Design	24
3.3.6 Cautions in Mounting a Servo Motor	26
4 SELECTING A MOTOR	29
4.1 CONDITIONS FOR SELECTING A SERVO MOTOR	29
4.2 SELECTING A MOTOR	31
4.2.1 Calculating the Load Torque	32
4.2.2 Calculating the Motor Speed	33
4.2.3 Calculating the Load Inertia	34
4.2.4 Calculating the Acceleration Torque	36
4.2.4.1 Calculating acceleration torque	36
4.2.4.2 Calculating the torque required by the motor shaft in acceleration	39
4.2.5 Calculating the Root-mean-square Value of the Torques	40
4.2.6 Calculating the Percentage Duty Cycle and ON Time with the Maximum Cutting Torque	42
4.2.7 Calculating the Dynamic Brake Stop Distance	43
4.3 HOW TO FILL IN THE SERVO MOTOR SELECTION DATA TABLE	47
4.3.1 Servo Motor Selection Data Table	47
4.3.2 Explanation of Items	50

4.3.2.1	Title.....	50
4.3.2.2	Specifications of moving object	50
4.3.2.3	Mechanical specifications.....	51
4.3.2.4	Motor specifications and characteristics.....	53
4.4	CHARACTERISTIC CURVE AND DATA SHEET	54
4.4.1	Characteristic Curves.....	54
4.4.2	Data Sheet.....	57
5	CONDITIONS FOR APPROVAL RELATED TO THE IEC60034 STANDARD.....	59
5.1	TYPES OF MOTORS TO BE APPROVED.....	59
5.2	APPROVED SPECIFICATIONS	61
5.2.1	Motor Speed (IEC60034-1).....	61
5.2.2	Output (IEC60034-1)	61
5.2.3	Protection Type (IEC60034-5).....	61
5.2.4	Cooling Method (IEC60034-6).....	62
5.2.5	Mounting Method (IEC60034-7)	62
5.2.6	Grounding (IEC60204-1)	63
5.2.7	Remarks.....	63
5.3	CONNECTORS REQUIRED FOR APPROVAL.....	63
6	SPECIFICATIONS.....	64
6.1	<i>αiS</i> series (200V).....	66
6.2	<i>αiS</i> series (400V).....	88
6.3	<i>αiF</i> series (200V).....	116
6.4	<i>αiF</i> series (400V).....	125
7	OUTLINE DRAWINGS	129
7.1	MODELS <i>αiS</i> 2 to <i>αiS</i> 4, <i>αiS</i> 2HV to <i>αiS</i> 4HV, AND <i>αiF</i> 1 to <i>αiF</i> 2.....	130
7.1.1	Outline Drawing of the Motors	130
7.1.2	Shaft Shape.....	132
7.1.3	Allowable Axis Load.....	134
7.1.4	Shaft Run-out Precision.....	134
7.1.5	Power and Brake Connector.....	134
7.2	MODELS <i>αiS</i> 8 to <i>αiS</i> 12, <i>αiS</i> 8HV to <i>αiS</i> 12HV, <i>αiF</i> 4 to <i>αiF</i> 8, <i>αiF</i> 4HV to <i>αiF</i> 8HV.....	135
7.2.1	Outline Drawing of the Motors	135
7.2.2	Shaft Shape.....	136
7.2.3	Allowable Axis Load.....	140
7.2.4	Shaft Run-out Precision.....	140
7.2.5	Power Connector	141
7.3	MODELS <i>αiS</i> 22 to <i>αiS</i> 60 with FAN, <i>αiS</i> 22HV to <i>αiS</i> 60HV with FAN, <i>αiF</i> 12 to <i>αiF</i> 40 with FAN, <i>αiF</i> 12HV to <i>αiF</i> 22HV.....	142
7.3.1	Outline Drawing of the Motors	142
7.3.2	Shaft Shape.....	146
7.3.3	Allowable Axis Load.....	147
7.3.4	Shaft Run-out Precision.....	148
7.3.5	Connector	148
7.4	MODELS <i>αiS</i> 100 to <i>αiS</i> 200 with FAN, <i>αiS</i> 100HV to <i>αiS</i> 200HV with FAN.....	150
7.4.1	Outline Drawing of the Motors	150
7.4.2	Allowable Axis Load.....	153

7.4.3	Shaft Run-out Precision.....	153
7.4.4	Power Terminal Layout.....	154
7.4.5	Cabling	155
7.5	MODELS αiS 300, αiS 500, αiS 300 HV, AND αiS 500 HV	156
7.5.1	Outline Drawing of the Motors	156
7.5.2	Allowable Axis Load.....	156
7.5.3	Shaft Run-out Precision.....	156
7.5.4	Power Terminal Layout (for α iS 300 and α iS 500)	157
7.5.5	Power Terminal Layout (for α iS 300HV and α iS 500HV).....	157
7.5.6	Cabling (for α iS 300, α iS 500, α iS 300HV, and α iS 500HV)	158
7.6	MODEL αiS 1000/2000 HV (A06B-0098-B010).....	159
7.6.1	Outline Drawing of the Motors	159
7.6.2	Allowable Axis Load.....	159
7.6.3	Shaft Run-out Precision.....	160
7.6.4	Power Terminal Layout.....	160
7.6.5	Cabling	161
7.7	MODEL αiS 1000/3000 HV (A06B-0099-B010).....	162
7.7.1	Outline Drawing of the Motors	162
7.7.2	Allowable Axis Load.....	162
7.7.3	Shaft Run-out Precision.....	163
7.7.4	Power Terminal Layout.....	163
7.7.5	Cabling	164
7.8	MODELS αiS 2000 HV AND αiS 3000 HV	165
7.8.1	Outline Drawing of the Motors	165
7.8.2	Allowable Axis Load.....	166
7.8.3	Shaft Run-out Precision.....	166
7.8.4	Power Terminal Layout.....	166
7.8.5	Cabling	167
8	FEEDBACK SENSOR.....	168
8.1	PULSECODER	168
8.1.1	Types of Pulsecoders and Designation.....	168
8.1.2	Connecting Pulsecoder	168
8.1.3	Absolute-type Pulsecoder.....	169
8.2	SEPARATE PULSECODER	169
8.2.1	Separate Pulsecoder Type and Designation	169
8.2.2	Separate Pulsecoder Specifications	170
8.2.3	Connecting a Separate Type Pulsecoder	170
8.2.4	Outline Drawings of Separate Pulsecoder	171
8.2.5	Cautions when Using a Separate Type Pulsecoder	172
9	BUILT-IN BRAKE.....	173
9.1	BRAKE SPECIFICATIONS.....	173
9.2	CONNECTING A BRAKE	174
9.2.1	Brake Connectors	174
9.2.2	Connection of the Brakes	175
9.2.3	Parts for Brake Circuits	176
9.3	CAUTIONS ON USE	177
9.4	REDUCING THE AMOUNT OF BRAKE AXIS FALL	178
10	COOLING FAN.....	179
10.1	COOLING FAN SPECIFICATIONS	179

10.2	CONNECTING A COOLING FAN.....	180
10.3	COOLING FAN CIRCUIT	181
10.4	RECOMMENDED PARTS OF COOLING FAN CIRCUIT	183
10.5	COOLING FAN PROTECTION CIRCUIT	184
11	CONNECTORS ON THE CABLE SIDE	185
11.1	CONNECTORS FOR SIGNALS (FOR ALL <i>ai</i> SERIES MODELS).....	186
11.2	CONNECTORS FOR POWER	191
	11.2.1 Connectors for Power (for Group A).....	191
	11.2.2 Connectors for Power (for Groups B to D)	192
11.3	CONNECTORS FOR THE BRAKE	196
	11.3.1 Connectors for the Brake (for Groups B to E)	196
11.4	CONNECTORS FOR THE FAN	197
11.5	CONNECTION TO A CONDUIT HOSE	199

1 GENERAL

Chapter 1, "GENERAL", consists of the following sections:

1.1 LINEUP OF THE SERIES 1
 1.2 FEATURE..... 2

1.1 LINEUP OF THE SERIES

The FANUC AC Servo Motor *αi* series consist of the following series, each of which has the listed characteristics.

Series	Voltage	Stall torque	Feature	Applications
<i>αiS</i>	200V	2 to 500 N·m	High acceleration models for high-acceleration machine	Lathe Machining Center Grinding Machine
	400V	2 to 3000 N·m	<i>αiS</i> models applicable to 400VAC input	
<i>αiF</i>	200V	1 to 53 N·m	Medium Inertia models for Axis feed of machine tools	
	400V	4 to 22 N·m	<i>αiF</i> models applicable to 400VAC input	

Lineup

Stall torque Nm		2	4	8	12	22	30	40	50	60	100	200	300	500	1000	2000	3000
Flange size mm		90			130			174				265			380	500	
<i>αiS</i>	200V	<i>αiS</i> 2 /5000	<i>αiS</i> 4 /5000	<i>αiS</i> 8 /4000	<i>αiS</i> 12 /4000	<i>αiS</i> 22 /4000	<i>αiS</i> 30 /4000	<i>αiS</i> 40 /4000	<i>αiS</i> 50 /2000	<i>αiS</i> 60 /2000	<i>αiS</i> 100 /2500	<i>αiS</i> 200 /2500	<i>αiS</i> 300 /2000	<i>αiS</i> 500 /2000			
		<i>αiS</i> 2 /6000	<i>αiS</i> 4 /6000	<i>αiS</i> 8 /6000	<i>αiS</i> 12 /6000	<i>αiS</i> 22 /6000			<i>αiS</i> 50 /3000 FAN	<i>αiS</i> 60 /3000 FAN	<i>αiS</i> 100 /2500 FAN	<i>αiS</i> 200 /2500 FAN					
	400V	<i>αiS</i> 2 /5000 HV	<i>αiS</i> 4 /5000 HV	<i>αiS</i> 8 /4000 HV	<i>αiS</i> 12 /4000 HV	<i>αiS</i> 22 /4000 HV	<i>αiS</i> 30 /4000 HV	<i>αiS</i> 40 /4000 HV	<i>αiS</i> 50 /2000 HV	<i>αiS</i> 60 /2000 HV	<i>αiS</i> 100 /2500 HV	<i>αiS</i> 200 /2500 HV	<i>αiS</i> 300 /2000 HV	<i>αiS</i> 500 /2000 HV	<i>αiS</i> 1000 /2000 HV		
		<i>αiS</i> 2 /6000 HV	<i>αiS</i> 4 /6000 HV	<i>αiS</i> 8 /6000 HV	<i>αiS</i> 12 /6000 HV	<i>αiS</i> 22 /6000 HV			<i>αiS</i> 50 /3000 HV FAN	<i>αiS</i> 60 /3000 HV FAN	<i>αiS</i> 100 /2500 HV FAN	<i>αiS</i> 200 /2500 HV FAN	<i>αiS</i> 300 /3000 HV	<i>αiS</i> 500 /3000 HV	<i>αiS</i> 1000 /3000 HV	<i>αiS</i> 2000 /2000 HV	<i>αiS</i> 3000 /2000 HV

Stall torque Nm		1	2	4	8	12	22	30	40	
Flange size mm		90			130			174		
<i>αiF</i>	200V	<i>αiF</i> 1 /5000	<i>αiF</i> 2 /5000	<i>αiF</i> 4 /4000	<i>αiF</i> 8 /3000	<i>αiF</i> 12 /3000	<i>αiF</i> 22 /3000	<i>αiF</i> 30 /3000	<i>αiF</i> 40 /3000	
	400V			<i>αiF</i> 4 /4000 HV	<i>αiF</i> 8 /3000 HV	<i>αiF</i> 12 /3000 HV	<i>αiF</i> 22 /3000 HV		<i>αiF</i> 40 /3000 FAN	

1.2 FEATURE

The FANUC AC Servo Motor αi series has been designed for machine tool feed axis applications. This servo motor αi series has the following features:

Compact

The use of a latest magnet and the optimized mechanical design reduce the total length and weight, therefore realizing light, compact motors.

Smooth rotation

The special magnetic pole shape which minimizes torque ripples which, when combined with precise current control and accurate Pulsecoder feedback, enables extremely smooth motor rotation.

Excellent acceleration

The use of a special rotor shape brings small and light motors, and a high level of torque. These motors, therefore, provide excellent acceleration characteristics.

Wide continuous-operating zone

High-density winding, low iron loss by the optimum core shape, and the use of the latest servo software reduce heat generation during high-speed rotation to a minimum and allow a wide continuous operating zone.

Controllability

The use of the latest servo software maintains controllability even when a disturbance occurs.

High reliability

A totally-enclosed, friction-free brushless design is used. This allows the servo motors to be used in demanding environments with no need for special checks or maintenance.

Excellent drip-proofing

The use of waterproof connectors and FANUC's unique stator seal provide excellent drip-proofing, which prevent ingress of liquid, such as coolant.

Built-in, high-precision encoder

A low-indexing-error optical encoder (Pulsecoder) is built into the motors. This Pulsecoder enables precise positioning.

Pulsecoders have the resolution of 1,000,000 or 16,000,000 per revolution. As such, the motors can be used for positioning applications ranging from simple positioning to those requiring a high degree of precision.

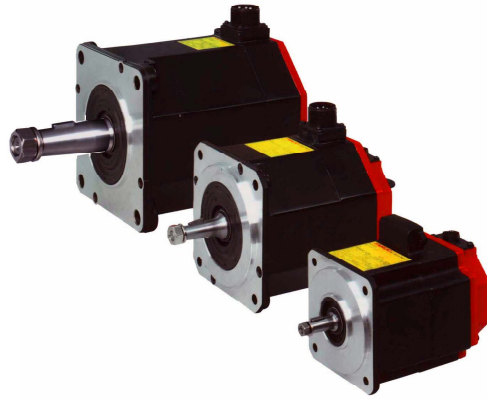
Powerful brake

A powerful brake with an increased holding torque is available as an option. The brake uses an asbestos-free design.

200-V and 400-V power supply specifications

A lineup of 400-V power supply specification motors is provided in addition to the 200-V power supply specification motors.

A suitable motor can be selected according to the local power supply specification.



αi series

2 ORDERING SPECIFICATION NUMBER

This chapter provides information about the ordering specification numbers and types of the FANUC AC Servo Motor αi series.

Chapter 2, "ORDERING SPECIFICATION NUMBER", consists of the following sections:

2.1 ORDERING SPECIFICATION NUMBER.....	4
2.2 APPLICABLE AMPLIFIERS	8

2.1 ORDERING SPECIFICATION NUMBER

The ordering specification numbers of the servo motors have the following format:

A06B-□□□□-B△○▽#◎◎◎◎

□□□□

An ordering specification number are described on the tables after next page.

* Every combination doesn't exist.

△

- | | | |
|---|---|---|
| 0 | : | Taper shaft |
| 1 | : | Straight shaft |
| 2 | : | Straight shaft with a key groove |
| 3 | : | Taper shaft with a 24VDC brake |
| 4 | : | Straight shaft with a 24VDC brake |
| 5 | : | Straight shaft with a key way and a 24VDC brake |

* Do not select "Straight shaft with a key groove" when a large torque or abrupt acceleration rate is required.

○

- | | | |
|---|---|------------------------------------|
| 0 | : | Standard |
| 1 | : | With a fan |
| 2 | : | With a high-torque brake |
| 3 | : | With a high-torque brake and a fan |
| 4 | : | With a strong fan |
| 5 | : | With a fan |

* When "With a high-torque brake" is selected (○ = 2 or 3), specify △ = 3 to 5.

▽

- | | | |
|---|---|------------------------------|
| 0 | : | Pulsecoder αiA 1000 |
| 1 | : | Pulsecoder αiI 1000 |
| 2 | : | Pulsecoder αiA 16000 |

◎◎◎◎

- | | | |
|------|---|--------------------|
| 0000 | : | Standard |
| 0100 | : | IP67 specification |

* Omitted in case of #0000.

The following table lists the allowable combinations of numbers represented by symbols in ordering specification numbers.

αiS series (200V)

A06B-□□□□-B△○▽#○○○○

Symbol in specification No.	□□□□	△					○					▽			○○○○			
		0	1	2	3	4	5	0	1	2	3	4	5	0	1	2	0000	0100
αiS 2/5000	0212	○	○	○	○	○	○	○	-	-	-	-	-	○	○	○	○	○
αiS 2/6000	0218	○	○	○	○	○	○	○	-	-	-	-	-	○	○	○	○	○
αiS 4/5000	0215	○	○	○	○	○	○	○	-	-	-	-	-	○	○	○	○	○
αiS 4/6000	0210	○	○	○	○	○	○	○	-	-	-	-	-	○	○	○	○	○
αiS 8/4000	0235	○	○	○	○	○	○	○	-	-	-	-	-	○	○	○	○	○
αiS 8/6000	0232	○	○	○	○	○	○	○	-	-	-	-	-	○	○	○	○	○
αiS 12/4000	0238	○	○	○	○	○	○	○	-	-	-	-	-	○	○	○	○	○
αiS 12/6000	0230	○	○	○	○	○	○	○	-	-	-	-	-	○	○	○	○	○
αiS 22/4000	0265	○	○	○	○	○	○	○	-	-	-	-	-	○	○	○	○	○
αiS 22/6000	0262	○	○	○	○	○	○	○	-	-	-	-	-	○	○	○	○	○
αiS 30/4000	0268	○	○	○	○	○	○	○	-	-	-	-	-	○	○	○	○	○
αiS 40/4000	0272	○	○	○	○	○	○	○	-	-	-	-	-	○	○	○	○	○
		-	-	-	○	○	○	-	-	○	-	-	-	○	○	○	○	○
αiS 50/2000	0042	○	○	-	-	-	-	○	-	-	-	-	-	○	○	○	○	○
		-	-	-	○	○	-	-	-	○	-	-	-	○	○	○	○	○
αiS 60/2000	0044	○	○	-	-	-	-	○	-	-	-	-	-	○	○	○	○	○
		-	-	-	○	○	-	-	-	○	-	-	-	○	○	○	○	○
αiS 50/3000 with fan	0275	○	○	-	○	○	-	-	○	-	-	-	-	○	○	○	○	-
		-	-	-	○	○	-	-	-	-	○	-	-	○	○	○	○	-
αiS 60/3000 with fan	0278	○	○	-	-	-	-	-	○	-	-	-	-	○	○	○	○	-
		-	-	-	○	○	-	-	-	-	○	-	-	○	○	○	○	-
αiS 100/2500	0285	○	-	-	○	-	-	○	-	-	-	-	-	○	-	-	○	○
αiS 100/2500 with fan	0285	○	-	-	○	-	-	-	○	-	-	-	-	○	-	-	○	-
αiS 200/2500	0288	○	-	-	○	-	-	○	-	-	-	-	-	○	-	-	○	○
αiS 200/2500 with fan	0288	○	-	-	○	-	-	-	○	-	-	-	-	○	-	-	○	-
αiS 300/2000	0292	○	-	-	-	-	-	-	○	-	-	-	-	○	-	-	○	-
αiS 500/2000	0295	○	-	-	-	-	-	-	○	-	-	-	-	○	-	-	○	-

* When ○○○○ is #0000, omit the specification of ○○○○.

* Specify △ = 3 to 5 in the case of ○ = 2 or 3.

αiS series (400V)

A06B-□□□□-B△○▽#◎◎◎◎

Symbol in specification No. Servo motor name	□□□□	△					○					▽			◎◎◎◎			
		0	1	2	3	4	5	0	1	2	3	4	5	0	1	2	0000	0100
αiS 2/5000 HV	0213	○	○	○	○	○	○	○	-	-	-	-	-	○	○	○	○	○
αiS 2/6000 HV	0219	○	○	○	○	○	○	○	-	-	-	-	-	○	○	○	○	○
αiS 4/5000 HV	0216	○	○	○	○	○	○	○	-	-	-	-	-	○	○	○	○	○
αiS 4/6000 HV	0214	○	○	○	○	○	○	○	-	-	-	-	-	○	○	○	○	○
αiS 8/4000 HV	0236	○	○	○	○	○	○	○	-	-	-	-	-	○	○	○	○	○
αiS 8/6000 HV	0233	○	○	○	○	○	○	○	-	-	-	-	-	○	○	○	○	○
αiS 12/4000 HV	0239	○	○	○	○	○	○	○	-	-	-	-	-	○	○	○	○	○
αiS 12/6000 HV	0237	○	○	○	○	○	○	○	-	-	-	-	-	○	○	○	○	○
αiS 22/4000 HV	0266	○	○	○	○	○	○	○	-	-	-	-	-	○	○	○	○	○
αiS 22/6000 HV	0263	○	○	○	○	○	○	○	-	-	-	-	-	○	○	○	○	○
αiS 30/4000 HV	0269	○	○	○	○	○	○	○	-	-	-	-	-	○	○	○	○	○
αiS 40/4000 HV	0273	○	○	○	○	○	○	○	-	-	-	-	-	○	○	○	○	○
		-	-	-	○	○	○	-	-	○	-	-	-	○	○	○	○	○
αiS 50/2000 HV	0043	○	○	-	-	-	-	○	-	-	-	-	-	○	○	○	○	○
		-	-	-	○	○	-	-	-	○	-	-	-	○	○	○	○	○
αiS 60/2000 HV	0045	○	○	-	-	-	-	○	-	-	-	-	-	○	○	○	○	○
		-	-	-	○	○	-	-	-	○	-	-	-	○	○	○	○	○
αiS 50/3000 HV with fan	0276	○	○	-	○	○	-	-	○	-	-	-	-	○	○	○	○	-
		-	-	-	○	○	-	-	-	-	○	-	-	○	○	○	○	-
αiS 60/3000 HV with fan	0279	○	○	-	-	-	-	-	○	-	-	-	-	○	○	○	○	-
		-	-	-	○	○	-	-	-	-	○	-	-	○	○	○	○	-
αiS 100/2500 HV	0286	○	-	-	○	-	-	○	-	-	-	-	-	○	-	-	○	○
αiS 100/2500 HV with fan	0286	○	-	-	○	-	-	-	○	-	-	-	-	○	-	-	○	-
αiS 200/2500 HV	0289	○	-	-	○	-	-	○	-	-	-	-	-	○	-	-	○	○
αiS 200/2500 HV with fan	0289	○	-	-	○	-	-	-	○	-	-	-	-	○	-	-	○	-
αiS 300/2000 HV	0293	○	-	-	-	-	-	-	○	-	-	-	-	○	-	-	○	-
αiS 300/3000 HV	0290	○	-	-	-	-	-	-	○	-	-	-	-	○	-	-	○	-
αiS 500/2000 HV	0296	○	-	-	-	-	-	-	○	-	-	-	-	○	-	-	○	-
αiS 500/3000 HV	0297	○	-	-	-	-	-	-	○	-	-	-	-	○	-	-	○	-
αiS 1000/2000 HV	0098	○	-	-	-	-	-	-	○	-	-	-	-	○	-	-	○	-
αiS 1000/3000 HV	0099	○	-	-	-	-	-	-	-	-	-	-	○	○	-	-	○	-
αiS 2000/2000 HV	0091	○	-	-	-	-	-	-	-	-	-	○	-	○	-	-	○	-
αiS 3000/2000 HV	0092	○	-	-	-	-	-	-	-	-	-	○	-	○	-	-	○	-

- * When ◎◎◎◎ is #0000, omit the specification of ◎◎◎◎.
- * Specify △ = 3 to 5 in the case of ○ = 2 or 3.

αiF series (200V)

A06B-□□□□-B△○▽#◎◎◎◎

Symbol in specification No. Servo motor name	□□□□	△					○					▽			◎◎◎◎			
		0	1	2	3	4	5	0	1	2	3	4	5	0	1	2	0000	0100
αiF 1/5000	0202	○	○	○	○	○	○	○	-	-	-	-	-	○	○	○	○	○
αiF 2/5000	0205	○	○	○	○	○	○	○	-	-	-	-	-	○	○	○	○	○
αiF 4/4000	0223	○	○	○	○	○	○	○	-	-	-	-	-	○	○	○	○	○
αiF 8/3000	0227	○	○	○	○	○	○	○	-	-	-	-	-	○	○	○	○	○
αiF 12/3000	0243	○	○	○	○	○	○	○	-	-	-	-	-	○	○	○	○	○
αiF 22/3000	0247	○	○	○	○	○	○	○	-	-	-	-	-	○	○	○	○	○
αiF 30/3000	0253	○	○	○	○	○	○	○	-	-	-	-	-	○	○	○	○	○
αiF 40/3000	0257	○	○	○	○	○	○	○	-	-	-	-	-	○	○	○	○	○
		-	-	-	○	○	○	-	-	○	-	-	-	○	○	○	○	○
αiF 40/3000 with fan	0257	○	○	○	○	○	○	-	○	-	-	-	-	○	○	○	○	-
		-	-	-	○	○	○	-	-	-	○	-	-	○	○	○	○	-

- * When ◎◎◎◎ is #0000, omit the specification of ◎◎◎◎.
- * Specify △ = 3 to 5 in the case of ○ = 2 or 3.

αiF series (400V)

A06B-□□□□-B△○▽#◎◎◎◎

Symbol in specification No. Servo motor name	□□□□	△					○					▽			◎◎◎◎			
		0	1	2	3	4	5	0	1	2	3	4	5	0	1	2	0000	0100
αiF 4/4000 HV	0225	○	○	○	○	○	○	○	-	-	-	-	-	○	○	○	○	○
αiF 8/3000 HV	0229	○	○	○	○	○	○	○	-	-	-	-	-	○	○	○	○	○
αiF 12/3000 HV	0245	○	○	○	○	○	○	○	-	-	-	-	-	○	○	○	○	○
αiF 22/3000 HV	0249	○	○	○	○	○	○	○	-	-	-	-	-	○	○	○	○	○

- * When ◎◎◎◎ is #0000, omit the specification of ◎◎◎◎.

2.2 APPLICABLE AMPLIFIERS

The FANUC AC Servo Motor αi series can be driven using FANUC Servo Amplifier αiSV series or βiSV series.

For the ordering specification numbers of servo amplifiers, refer to "FANUC SERVO AMPLIFIER αi series Descriptions (B-65282EN)" or "FANUC SERVO AMPLIFIER βi series Descriptions (B-65322EN)".

Combinations of $\alpha iS/\alpha iF$ servo motors and $\alpha iSV/\beta iSV$ servo amplifiers

(200 V, 160 A or less)

Stall torque		1	2		4		8		12		
Motor	αiS		$\alpha iS 2$ /5000	$\alpha iS 2$ /6000	$\alpha iS 4$ /5000	$\alpha iS 4$ /6000		$\alpha iS 8$ /4000	$\alpha iS 8$ /6000	$\alpha iS 12$ /4000	$\alpha iS 12$ /6000
	Amplifier	αiF	$\alpha iF 1$ /5000	$\alpha iF 2$ /5000			$\alpha iF 4$ /4000	$\alpha iF 8$ /3000			$\alpha iF 12$ /3000
$\alpha iSV 20$ $\alpha iSV 20L$	-		○	○	○	○					
$\alpha iSV 40$ $\alpha iSV 40L$	-						○	○			
$\alpha iSV 80$ $\alpha iSV 80L$	-							○	○	○	
$\alpha iSV 160$ $\alpha iSV 160L$	-										○
$\alpha iSV 4/20$	L axis										
	M axis	○	○	○	○	○					
$\alpha iSV 20/20$ $\alpha iSV 20/20L$	L axis	○	○	○	○	○					
	M axis	○	○	○	○	○					
$\alpha iSV 20/40$ $\alpha iSV 20/40L$	L axis	○	○	○	○	○					
	M axis						○	○			
$\alpha iSV 40/40$ $\alpha iSV 40/40L$	L axis						○	○			
	M axis						○	○			
$\alpha iSV 40/80$ $\alpha iSV 40/80L$	L axis						○	○			
	M axis								○	○	○
$\alpha iSV 80/80$ $\alpha iSV 80/80L$	L axis								○	○	○
	M axis								○	○	○
$\alpha iSV 80/160$	L axis								○	○	○
	M axis										○
$\alpha iSV 160/160$	L axis										○
	M axis										○
$\alpha iSV 20/20/20$	L axis	○	○	○	○	○					
	M axis	○	○	○	○	○					
	N axis	○	○	○	○	○					
$\alpha iSV 20/20/40$	L axis	○	○	○	○	○					
	M axis	○	○	○	○	○					
	N axis						○	○			
$\beta iSV 20$	-		○	○	○	○					
$\beta iSV 40$	-						○	○			
$\beta iSV 80$	-							○	○	○	
$\beta iSV 20/20$	L axis	○	○	○	○	○					
	M axis	○	○	○	○	○					

Stall torque		22			30	40		50	60
Motor	αiS		$\alpha iS22$ /4000	$\alpha iS22$ /6000	$\alpha iS30$ /4000	$\alpha iS40$ /4000		$\alpha iS50$ /2000	$\alpha iS60$ /2000
	Amplifier	αiF	$\alpha iF22$ /3000		$\alpha iF30$ /3000	$\alpha iF40$ /3000	$\alpha iF40$ /3000 FAN		
αiSV 20 αiSV 20L	-								
αiSV 40 αiSV 40L	-								
αiSV 80 αiSV 80L	-	○							
αiSV 160 αiSV 160L	-		○	○	○	○	○	○	○
αiSV 4/20	L axis								
	M axis								
αiSV 20/20 αiSV 20/20L	L axis								
	M axis								
αiSV 20/40 αiSV 20/40L	L axis								
	M axis								
αiSV 40/40 αiSV 40/40L	L axis								
	M axis								
αiSV 40/80 αiSV 40/80L	L axis								
	M axis	○							
αiSV 80/80 αiSV 80/80L	L axis	○							
	M axis	○							
αiSV 80/160	L axis	○							
	M axis		○	○	○	○		○	○
αiSV 160/160	L axis		○	○	○	○		○	○
	M axis		○	○	○	○		○	○
αiSV 20/20/20	L axis								
	M axis								
	N axis								
αiSV 20/20/40	L axis								
	M axis								
	N axis								
βiSV 20	-								
βiSV 40	-								
βiSV 80	-	○							
βiSV 20/20	L axis								
	M axis								

(200 V, 360 A or more)

Stall torque		50	60	100		200		300	500
Motor	αiS	αiS 50 /3000 FAN	αiS 60 /3000 FAN	αiS 100 /2500	αiS 100 /2500 FAN	αiS 200 /2500	αiS 200 /2500 FAN	αiS 300 /2000	αiS 500 /2000
	Amplifier								
αiSV 360		○	○	○	○	○	○		
αiSV 360 x2								○	○

(*) For a motor driven by multiple servo amplifier, such as the αiS 300 motor, the torque tandem control option or the PWM distribution module is required.

(400V, 80A or less)

Stall torque		2		4		8		12			
Motor	αiS	$\alpha iS 2$ /5000 HV	$\alpha iS 2$ /6000 HV	$\alpha iS 4$ /5000 HV	$\alpha iS 4$ /6000 HV			$\alpha iS 8$ /4000 HV	$\alpha iS 8$ /6000 HV	$\alpha iS 12$ /4000 HV	$\alpha iS 12$ /6000 HV
	Amplifier	αiF					$\alpha iF 4$ /4000 HV	$\alpha iF 8$ /3000 HV			$\alpha iF 12$ /3000 HV
$\alpha iSV 10HV$ $\alpha iSV 10HVL$	-	○	○	○	○						
$\alpha iSV 20HV$ $\alpha iSV 20HVL$	-					○	○				
$\alpha iSV 40HV$ $\alpha iSV 40HVL$	-							○	○	○	
$\alpha iSV 80HV$ $\alpha iSV 80HV$	-										○
$\alpha iSV 10/10HV$ $\alpha iSV 10/10HVL$	L axis M axis	○ ○	○ ○	○ ○	○ ○						
$\alpha iSV 20/20HV$ $\alpha iSV 20/20HVL$	L axis M axis					○ ○	○ ○				
$\alpha iSV 20/40HV$ $\alpha iSV 20/40HVL$	L axis M axis					○	○				
$\alpha iSV 40/40HV$ $\alpha iSV 40/40HVL$	L axis M axis							○	○	○	
$\alpha iSV 40/80HV$	L axis M axis							○	○	○	
$\alpha iSV 80/80HV$	L axis M axis										○ ○
$\beta iSV 10HV$	-	○	○	○	○						
$\beta iSV 20HV$	-					○	○				
$\beta iSV 40HV$	-							○	○	○	

Stall torque		22		30	40	50	60
Motor	αiS	$\alpha iS 22$ /4000 HV	$\alpha iS 22$ /6000 HV	$\alpha iS 30$ /4000 HV	$\alpha iS 40$ /4000 HV	$\alpha iS 50$ /2000 HV	$\alpha iS 60$ /2000 HV
	Amplifier	$\alpha iF 22$ /3000 HV					
$\alpha iSV 10HV$ $\alpha iSV 10HVL$	-						
$\alpha iSV 20HV$ $\alpha iSV 20HVL$	-						
$\alpha iSV 40HV$ $\alpha iSV 40HVL$	-	○					
$\alpha iSV 80HV$ $\alpha iSV 80HV$	-		○	○	○	○	○
$\alpha iSV 10/10HV$ $\alpha iSV 10/10HVL$	L axis M axis						
$\alpha iSV 20/20HV$ $\alpha iSV 20/20HVL$	L axis M axis						
$\alpha iSV 20/40HV$ $\alpha iSV 20/40HVL$	L axis M axis	○					
$\alpha iSV 40/40HV$ $\alpha iSV 40/40HVL$	L axis M axis	○					
$\alpha iSV 40/80HV$	L axis M axis	○	○	○	○	○	○
$\alpha iSV 80/80HV$	L axis M axis		○	○	○	○	○
$\beta iSV 10HV$	-						
$\beta iSV 20HV$	-						
$\beta iSV 40HV$	-	○					

(400V, 180A or more)

tall torque	50	60	100		200		300		500	
Motor	<i>αiS</i> 50 /3000 HV FAN	<i>αiS</i> 60 /3000 HV FAN	<i>αiS</i> 100 /2500 HV	<i>αiS</i> 100 /2500 HV FAN	<i>αiS</i> 200 /2500 HV	<i>αiS</i> 200 /2500 HV FAN	<i>αiS</i> 300 /2000 HV	<i>αiS</i> 300 /3000 HV	<i>αiS</i> 500 /2000 HV	<i>αiS</i> 500 /3000 HV
Amplifier										
<i>αiSV</i> 180HV	○	○	○	○	○	○				
<i>αiSV</i> 360HV							○		○	
<i>αiSV</i> 360HV x2										
<i>αiSV</i> 360HV x4										
<i>αiSV</i> 540HV								○		○

tall torque	1000		2000	3000
Motor	<i>αiS</i> 1000 /2000 HV	<i>αiS</i> 1000 /3000 HV	<i>αiS</i> 2000 /2000 HV	<i>αiS</i> 3000 /2000 HV
Amplifier				
<i>αiSV</i> 180HV				
<i>αiSV</i> 360HV				
<i>αiSV</i> 360HV x2	○			
<i>αiSV</i> 360HV x4		○	○	○
<i>αiSV</i> 540HV				

- (*) For a motor driven by multiple servo amplifier, such as the *αiS* 1000HV motor, the torque tandem control option or the PWM distribution module is required.

⚠ CAUTION

- 1 If a motor is used in a combination other than those listed above, it may become broken.
- 2 For details on the servo amplifier, refer to "FANUC SERVO AMPLIFIER *αi* series DESCRIPTIONS (B-65282EN)" and "FANUC SERVO AMPLIFIER *βi* series DESCRIPTIONS (B-65322EN)".
- 3 If you want to use a motor in combination with the *α/β* series servo amplifier, consult with FANUC.

3 USAGE

This chapter explains how to connect the FANUC AC Servo Motor αi series to the CNC system and how to install it in the machine.

Chapter 3, "USAGE", consists of the following sections:

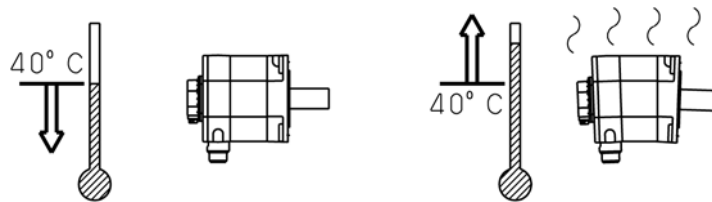
3.1 USE ENVIRONMENT FOR SERVO MOTORS.....	12
3.2 CONNECTING A SERVO MOTOR	19
3.3 MOUNTING A SERVO MOTOR.....	21

3.1 USE ENVIRONMENT FOR SERVO MOTORS

3.1.1 Ambient Temperature, Humidity, Installation Height, and Vibration

Ambient temperature

The ambient temperature should be 0°C to 40°C. If the ambient temperature exceeds this range, the operating conditions must be eased to prevent the motor and detector from overheating. (The values in the data sheet are determined for an ambient temperature of 20°C.)



Ambient humidity

The ambient humidity should be 80%RH or less and no condensation should not be caused.

Installation height

Up to 1,000 meters above the sea level requires, no particular provision for attitude. When operating the machine at a higher level, special care is unnecessary if the ambient temperature is lowered 1°C at every 100m higher than 1,000m. For example, when the machine is installed at a place of 1,500 meters above sea level, there is no problem if the ambient temperature is 35°C or less.

Vibration

When installed in a machine, the vibration applied to the motor must not exceed 5G.

If any one of the four environmental conditions (ambient temperature, ambient humidity, installation height, and vibration) specified above is not satisfied, the output must be restricted.

3.1.2 Usage Considering Environmental Resistance

Overview

The motor is an electric part, and if the lubricant or cutting fluid falls on the motor, it will enter the inside of the motor, possibly adversely affecting the motor. In particular, if the cutting fluid adheres to the motor, it will deteriorate the resin or rubber sealing members, causing a large amount of cutting fluid to enter the inside of the motor and possibly damaging the motor. When using the motor, note the points described below.

Level of motor protection

For the standard type, the level of motor protection is such that a single motor unit can satisfy IP65 of the IEC 60034-5 standard, and a single motor unit of αiS 2000/2000HV and above can satisfy IP44 of the IEC 60034-5 standard. (Except the fan motor and the connectors of models with a fan. The connectors of Pulsecoders are water-proof when engaged.)

As options, IP67 type motors are also available. (Except models with a fan and the αiS 300/2000 and above. The connectors of Pulsecoders are water-proof when engaged.)

For a description of the drip-proof and water-proof properties of each connector, see the section on that connector.

IP4□ : Machine protected from introduction of solid foreign matter over 1.0 mm

Electric cables and wires with a diameter or thickness greater than 1.0 mm do not enter.

IP6□ : Fully dust-proof machine

Structure completely free from the entry of dust.

IP□4 : Machine protected form water spray

Water sprayed on the motor from any direction will have no harmful effect.

IP□5 : Machine protected from injected water

Water injected from a nozzle to the machine in any direction does not have a harmful impact on the machine.

IP□7 : Machine protected from the effect of seeping water

If the machine is immersed in water at a prescribed pressure for a prescribed duration, there is no possibility that an amount of water that has a harmful impact on the machine enters the machine.

If sufficient water-proof performance is required, as in the case in which a motor is used in a cutting fluid mist atmosphere, specify an IP67 type motor.

Note that both the standard and IP67 types satisfy the provisions for short-time water immersion, and do not guarantee their water-proof performance in an atmosphere in which the cutting fluid is applied directly to the motor. Before actual use, note the points described below.

Motor periphery

If the cutting fluid or lubricant falls on the motor, it will adversely affect the sealing properties of the motor surface, entering the inside of the motor and possibly damaging the motor. Note the following points on use.

Make sure that the motor surface is never wet with the cutting fluid or lubricant, and also make sure that no fluid builds up around the motor. If there is a possibility of the surface being wet, a cover is required. Be sure to mount a cover even when using an IP67 type motor.



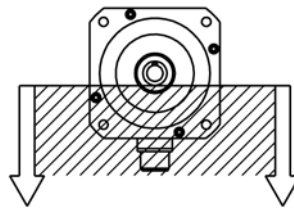
If the cutting fluid is misted, the cutting fluid may be condensed on the inside of the cover and fall on the motor. Make sure that no condensed droplets fall on the motor.

Completely separate the machining area from the motor area, using a telescopic cover, accordion curtain, and so on. Note that partitions such as accordion curtains are consumable and require periodic inspection for damage.

Output shaft seal (oil seal)

For all models, the shaft of the servo motor is provided with an oil seal to prevent entry of oil and other fluids into the motor. It does not, however, completely prevent the entry of lubricant and other fluids depending on the working conditions. Note the following points on use.

When the motor is rotating, the oil seal has an effect of discharging any oil that enters, but if it is pressurized for a long time when the motor is stopped, it may allow oil to enter through the lip. When lubrication with an oil bath is conducted for gear engagement, for example, the oil level must be below the lip of the oil seal of the shaft, and the oil level must be adjusted so that the oil does nothing but splash on the lip.

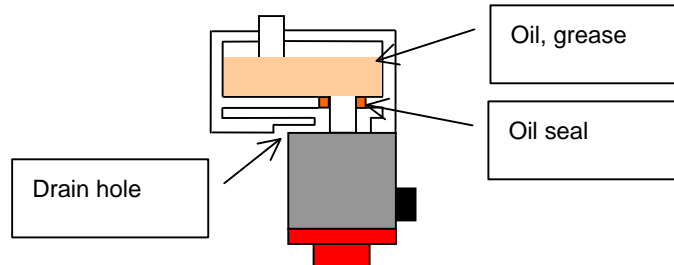


Diameters of the oil seal lips of motor shafts

Motor model	Oil seal diameter
<i>αiS</i> 2, <i>αiS</i> 4, <i>αiS</i> 2 HV, <i>αiS</i> 4 HV, <i>αiF</i> 1, <i>αiF</i> 2	φ15 [mm]
<i>αiS</i> 8, <i>αiS</i> 12, <i>αiS</i> 8 HV, <i>αiS</i> 12 HV, <i>αiF</i> 4, <i>αiF</i> 8, <i>αiF</i> 4 HV, <i>αiF</i> 8 HV	φ24 [mm]
<i>αiS</i> 22, <i>αiS</i> 30, <i>αiS</i> 40, <i>αiS</i> 22 HV, <i>αiS</i> 30 HV, <i>αiS</i> 40 HV, <i>αiF</i> 12, <i>αiF</i> 22, <i>αiF</i> 30, <i>αiF</i> 12 HV, <i>αiF</i> 22 HV (Only the straight shaft type of the following) <i>αiS</i> 50, <i>αiS</i> 50 HV, <i>αiS</i> 60, <i>αiS</i> 60 HV, <i>αiF</i> 40 * Including those equipped with fans.	φ35 [mm]
(Only the taper shaft type of the following) <i>αiS</i> 50, <i>αiS</i> 50 HV, <i>αiS</i> 60, <i>αiS</i> 60 HV, <i>αiF</i> 40 * Including those equipped with fans.	φ38 [mm]
<i>αiS</i> 100, <i>αiS</i> 200, <i>αiS</i> 100 HV, <i>αiS</i> 200 HV * Including those equipped with fans.	φ55 [mm]
<i>αiS</i> 300, <i>αiS</i> 500, <i>αiS</i> 300 HV, <i>αiS</i> 500 HV	φ65 [mm]
<i>αiS</i> 1000 HV	φ80 [mm]

Motor model	Oil seal diameter
<i>αiS</i> 2000 HV, <i>αiS</i> 3000 HV	φ120 [mm]

If the shaft is directed upward so that it is constantly immersed in oil, the oil seal of the motor alone does not provide sufficient sealing. If grease is used for lubrication, the properties of the oil seal are generally impaired. In these cases, a special design is required. For example, another oil seal is mounted on the machine side and a drain is provided so that any oil passing through that seal can be discharged outside.



In such an environment in which the lip of the oil seal switches between dry and wet states repeatedly, if the cutting fluid flies about after the lip has worn in a dry state, the cutting fluid may easily enter the inside of the motor. In this case, provide a cover, etc. so that no cutting fluid is applied to the oil seal of the motor.

Ensure that no pressure is applied to the lip of the oil seal.

The cutting fluid does not provide lubrication for the oil seal lip, so that the fluid may easily enter the seal. Provide a cover so that no cutting fluid is applied to the oil seal.

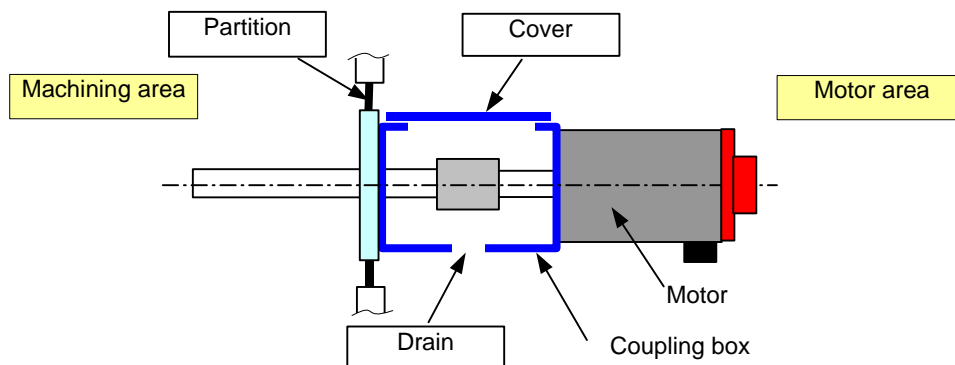
The oil seal lip is made of rubber, and if foreign matters such as cutting chips get in, it will be easily worn, losing its sealing properties. Provide a cover, etc. to prevent cutting chips from entering near the lip.

Motor coupling

If a coupling box exists between the motor and the machine, employ the structure described below so that no cutting fluid builds up in the box.

Provide a cover for the top and sides of the coupling box.

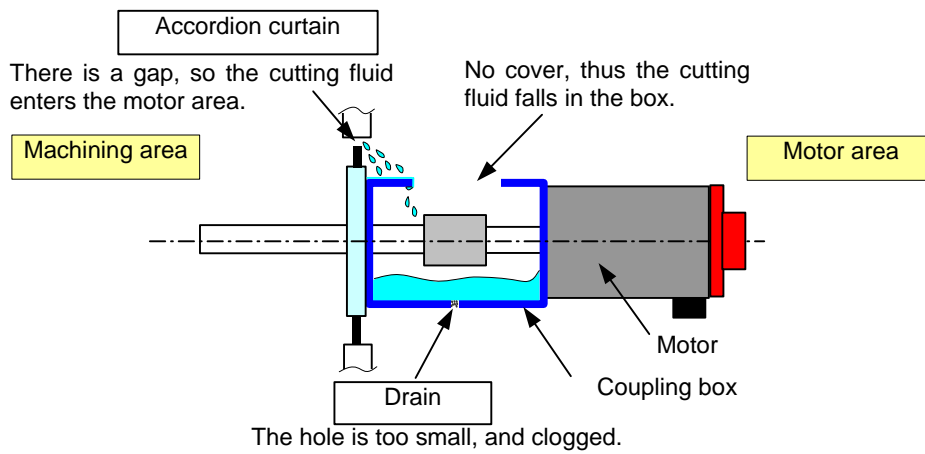
Provide a drain hole at the bottom of the coupling box. The hole must be large enough to avoid clogging. Make sure that any cutting fluid that bounces back is not applied from the drain hole to the motor.



<Fault example>

The cutting fluid leaks from a gap in the accordion curtain to the motor area, and builds up in the coupling box. While the motor is moving, the cutting fluid ripples, splashing on the oil seal of the motor.

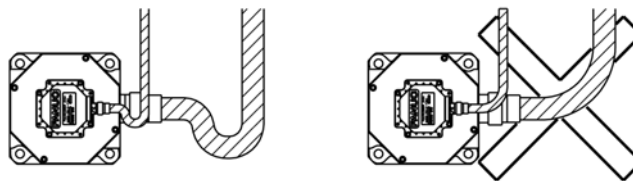
The cutting fluid enters the inside of the motor there in large quantities, deteriorating the insulation of the motor.



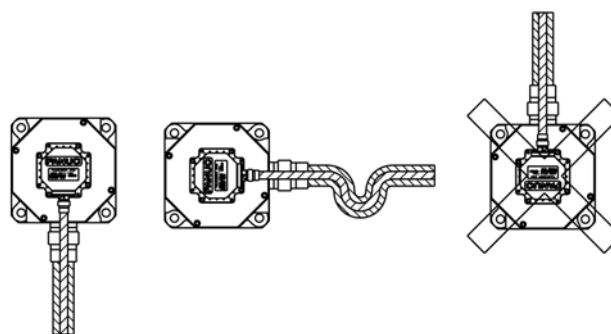
Connectors

Note the following points on use:

Make sure that no cutting fluid is introduced to the motor via cables. If the motor connector is used horizontally, this can be accomplished by forming a slack in the cable.



If the motor connector is directed upward, the cutting fluid collects into the cable connector. Whenever possible, direct the motor connector sideways or downward.



If there is a possibility of the power cable and the power connector being wet, it is recommended to use the water-proof connector plug recommended in this DESCRIPTIONS for the connector and a oil-proof cable as the power cable. (Oil-proof cable example: PUR (polyurethane) series made by LAPP)

If using a conduit hose for cable protection purposes, use the seal adapter recommended in this DESCRIPTIONS.

The feedback cable connector provides IP67 water-proof performance when it is engaged with the pulse coder connector. If the feedback cable connector is not fully engaged, the cutting fluid will enter the inside of the pulse coder from the connector, possibly causing a failure. Install the connector properly in accordance with the feedback cable engagement procedure described in this DESCRIPTIONS and check that it is engaged securely.

If the feedback cable connector cannot provide sufficient water resistance due to an assembly failure, the cutting fluid will enter the inside of the pulse coder from the connector, possibly causing a failure. When manufacturing a feedback cable connector, assemble it properly in accordance with the operator's manual issued by the connector manufacturer.

Notes on cutting fluid

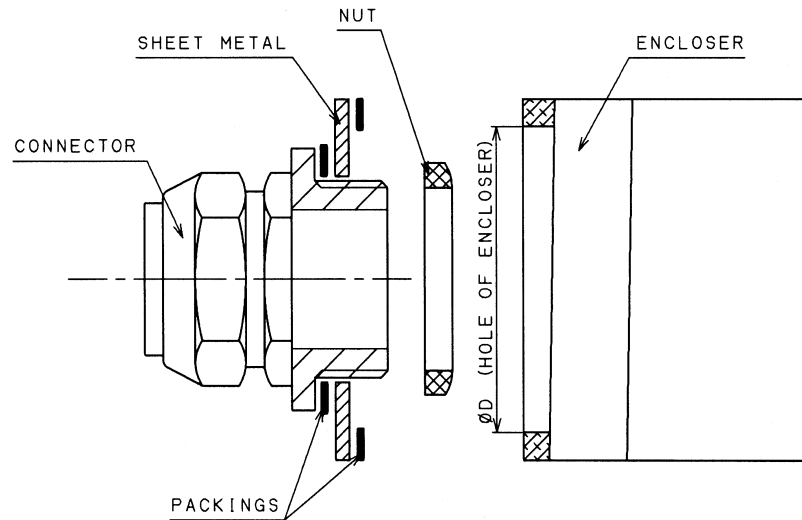
Cutting fluid containing highly active sulfur, oil-free cutting fluid called synthetic cutting fluid, and highly alkaline, water-soluble cutting fluid in particular significantly affect the CNC, motor, or amplifier. Even when these components are protected from direct spraying of cutting fluid, problems as described below may arise. So special care should be taken.

- **Cutting fluid containing highly active sulfur**
Some cutting fluids containing sulfur show extremely high activity of sulfur. Ingress of such cutting fluid into the CNC, motor, or amplifier can cause corrosion of copper, silver, and so on used as parts' materials, therefore resulting in parts' failures.
- **Synthetic cutting fluid with high permeability**
Some synthetic type cutting fluids that use polyalkylene glycol (PAG) as a lubricant have extremely high permeability. Such cutting fluid can easily penetrate into the motor even if the motor is sealed well. Ingress of such cutting fluid into the CNC, motor, or amplifier can degrade insulation or lead to parts' failures.
- **Highly alkaline, water-soluble cutting fluid**
Some cutting fluids that strengthen pH by alkanolamine show strong alkalinity of pH10 or higher when diluted to the standard level. Ingress of such cutting fluid into the CNC, motor, or amplifier can cause chemical reaction with plastic and so on and deteriorate them.

Terminal box

For the α S 100/2500 model or higher, the power line is connected at the terminal box.

To ensure the appropriate IP level, a conduit or something similar is required at the power line lead-in hole. When connecting the conduit to the terminal box, employ rubber packings, a water-proof connector, etc. to prevent the entry of the lubricant or cutting fluid from the wiring hole in the terminal box.



The terminal box is provided with rubber water-proof packings. Check that the packings are not damaged, and mount them with the prescribed tightening torque in such a way that no foreign matters get in.

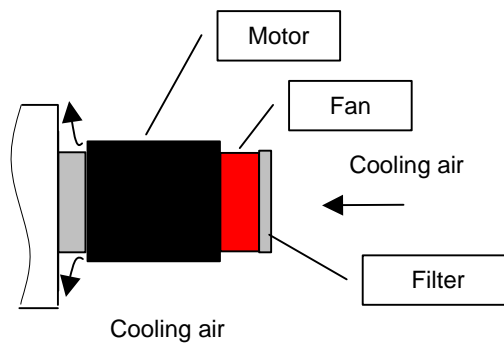
NOTE

For information on the wiring hole diameters, refer to the Chapter 7, "OUTLINE DRAWINGS."

Fan motor

The fan motor provides low water-proof performance, so make sure that a fan unit and a fan-equipped motor are not employed in an environment in which the cutting fluid is applied.

If lubricant or cutting fluid mist, particles, or cutting chips are drawn into the fan motor, the air holes in the motor and the blades of the fan motor will clog, causing the cooling capacity to reduce. Employ a machine structure that allows clean, cooling air to be fed into the motor.



3.1.3 Checking a Delivered Servo Motor and Storing a Servo Motor

When the servo motor is delivered, check the following items.

- The motor meets the specifications.
(Specifications of the model/shaft/sensor)
- Damage caused by the transportation.
- The shaft is normal when rotated by hand.
- The brake works.

- Looseness or play in screws.

FANUC servo motors are completely checked before shipment, and the inspection at acceptance is normally unnecessary. When an inspection is required, check the specifications (wiring, current, voltage, etc.) of the motor and sensor. Store the motor indoors. The storage temperature is -20°C to $+60^{\circ}\text{C}$. Avoid storing in the following places.

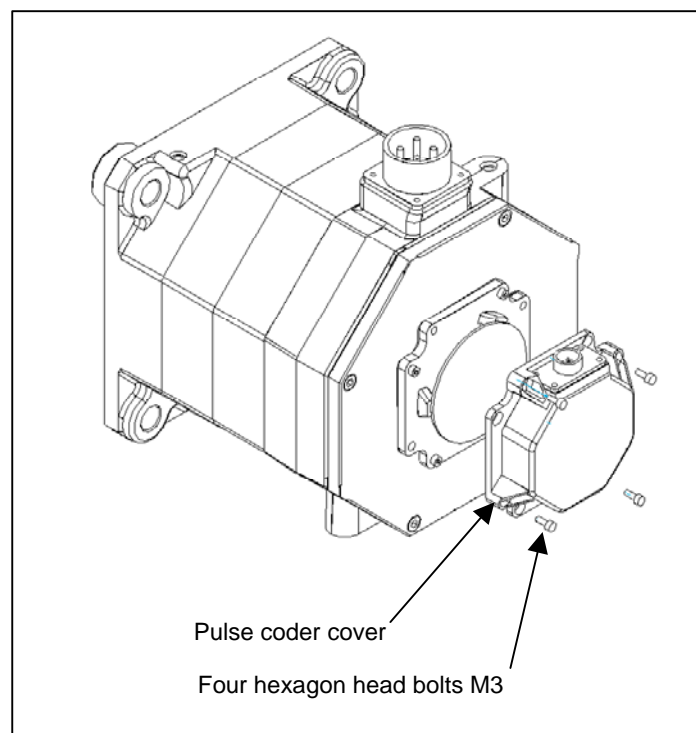
- Place with high humidity so condensation will form.
- Place with extreme temperature changes.
- Place always exposed to vibration.
(The bearing may be damaged.)
- Place with much dust.

3.1.4 Separating and Disposing of a Servo Motor

For a servo motor, a plastic part is used.

Disassemble the motor as shown in the following figure, separate the plastic part (Pulse coder cover), and dispose of the motor. The following plastic material is used:

Plastic material : > (PBT+PC)-GF(30)FR(17)<

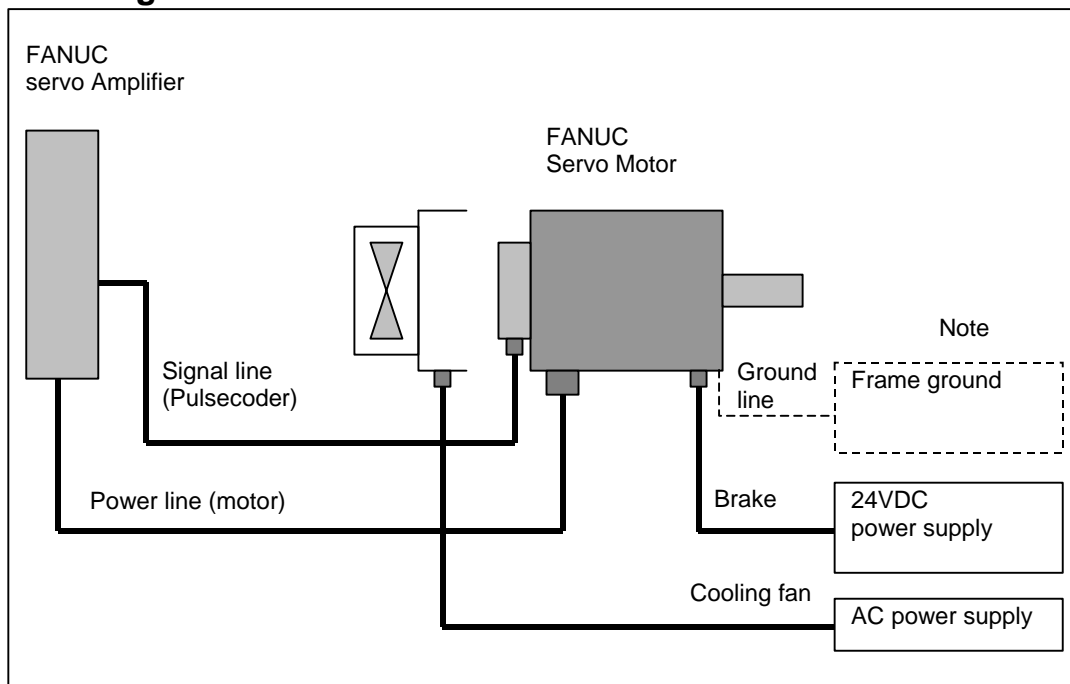


3.2 CONNECTING A SERVO MOTOR

3.2.1 Connections Related to a Servo Motor

For the FANUC AC Servo Motor *ai* series, connect the power line of the motor and the signal line of a Pulse coder to an FANUC Servo Amplifier. When the motor has a built-in brake or cooling fan as an option, connect the built-in brake or cooling fan to the specified power supply.

Connection diagram



⚠ CAUTION

If a motor is not connected to ground through the machine (cabinet) in which the motor is installed, connect the motor grounding point and the amplifier grounding point to absorb noise. In this case, use a wire with a thickness of at least 1.25 mm², other than the GND conductor in the power line. Keep the wire as far from the power line as possible.

Connecting the power line

For the pin layout of the power connector on the servo motor side or the layout of the power terminals, see Chapter 7, "OUTLINE DRAWINGS".

For details of the connector of a cable connected to the servo motor, see Chapter 11, "CONNECTORS ON THE CABLE SIDE."

For the pin size and cabling of the models connected to the terminal block (*αiS* 100 to *αiS* 500, *αiS* 100HV to *αiS* 3000HV), see Chapter 7, "OUTLINE DRAWINGS".

For details of selection of a power line and the shapes of the connector and terminal connected to a servo amplifier, refer to "FANUC SERVO AMPLIFIER *αi* series Descriptions (B-65282EN)."

Connecting the signal line

For details of the signal connector on a Pulsecoder, see Chapter 8, "FEEDBACK SENSOR".

For details of the connector of a cable connected to a Pulsecoder, see Chapter 11, "CONNECTORS ON THE CABLE SIDE."

For details of selection of a signal line and the connector connected to a servo amplifier, refer to "FANUC SERVO AMPLIFIER *αi* series Descriptions (B-65282EN)."

Connecting a built-in brake

For details of how to connect the power connector on a built-in brake and the power supply, see Chapter 9, "BUILT-IN BRAKE."

For details of the connector of a cable connected to a built-in brake, see Chapter 11, "CONNECTORS ON THE CABLE SIDE."

Connecting a cooling fan

For the power connector on the cooling fan side, the type of power supply for driving the fan, and power cabling, see Chapter 10, "COOLING FAN".

For details of the connector of a cable connected to a cooling fan, see Chapter 11, "CONNECTORS ON THE CABLE SIDE."

3.3 MOUNTING A SERVO MOTOR

3.3.1 Methods for coupling the shaft

In many cases, the following four methods are used for coupling the motor shaft to the ball screw on a machine: Direct connection through a flexible coupling, direct connection through a rigid coupling, connection through gears, and connection through timing belts. It is important to understand the advantages and disadvantages of each method, and select one that is most suitable for the machine.

Direct connection using a flexible coupling

Direct connection by a flexible coupling has the following advantages over connection using gears:

- Even if the angle of the motor shaft to the ball screw changes, it can be compensated to a certain extent.
- Because a flexible coupling connects elements with less backlash, driving noise from joints can be significantly suppressed.

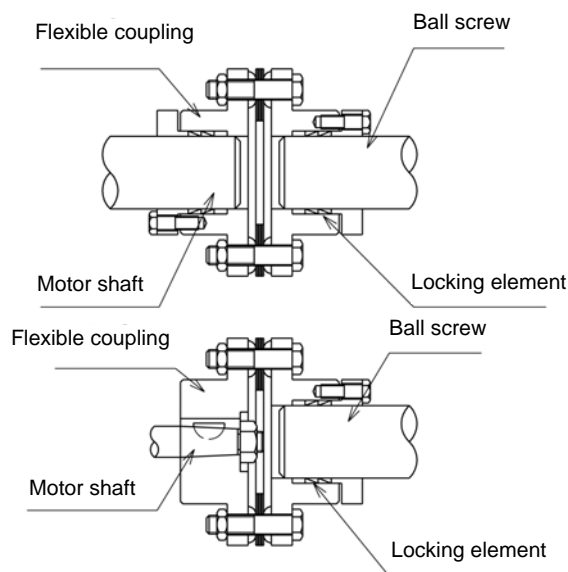
However, this method has the following disadvantages:

- The motor shaft and the ball screw must not slide from each other in the radial direction (for single coupling).
- Loose assembly may result in lower rigidity.

When the motor shaft needs to be connected directly to the ball screw, connecting them using a flexible coupling facilitates adjustment and installation of the motor.

To use a single coupling, the machine needs to be designed so that the centers of the motor shaft and the ball screw are aligned. (In the same way as with a rigid coupling, the use of a single coupling demands that there be almost no relative eccentricity between the axes.)

If it is difficult to align the centers, a double coupling needs to be employed.



Direct connection using a rigid coupling

Direct connection using a rigid coupling has the following advantages over direct connection using a flexible coupling:

- More economical
- The coupling rigidity can be increased.
- If the rigidity is the same as with a flexible coupling, the inertia can be reduced.

However, this method has the following disadvantages:

- The motor shaft and the ball screw must not slide from each other in the radial direction, and the angle of the motor shaft to the ball screw must be fixed.

For this reason, a rigid coupling needs to be mounted very carefully.

It is desirable that the run-out of the ball screw is 0.01 mm or less. When a rigid coupling is used on the motor shaft, the run-out of the hole for the ball screw must be set to 0.01 mm or less by adjusting the tightness of the locking element.

The run-out of the motor shaft and the ball screw in the radial direction can be adjusted or compensated to a certain extent by deflection. Note, however, that it is difficult to adjust or measure changes in the angle. Therefore, the structure of the machine should be such that precision can be fully guaranteed.

Gears

This method is used when the motor cannot be put in line with the ball screw because of the mechanical interference problem or when the reduction gear is required in order to obtain large torque. The following attention should be paid to the gear coupling method:

- Grinding finish should be given to the gear, and eccentricity, pitch error, tooth-shape deviations etc. should be reduced as much as possible. Please use the JIS, First Class as a reference of precision.
- Adjustment of backlash should be carefully performed. Generally, if there is too little backlash, a high-pitched noise will occur during high-speed operation, and if the backlash is too big, a drumming sound of the tooth surfaces will occur during acceleration/deceleration. Since these noises are sensitive to the amount of backlash, the structure should be so that adjustment of backlash is possible at construction time.

Timing belt

A timing belt is used in the same cases as gear connection, but in comparison, it has advantages such as low cost and reduced noise during operation, etc. However, it is necessary to correctly understand the characteristics of timing belts and use them appropriately to maintain high precision.

Generally, the rigidity of timing belt is sufficiently higher than that of other mechanical parts such as ball screw or bearing, so there is no danger of inferiority of performance of control caused by reduction of rigidity by using timing belt. When using a timing belt with a position sensor on the motor shaft, there are cases where poor precision caused by backlash of the belt tooth and pulley tooth, or elongation of belt after a long time becomes problem, so consideration should be given to whether these errors significantly affect precision. In case the position sensor is mounted behind the timing belt (for example, on the ball screw axis), a problem of precision does not occur.

Life of the timing belt largely varies according to mounting precision and tension adjustment. Please refer to the manufacturer's Instruction Manual for correct use.

3.3.2 Fastening the Shaft

Taper shaft

In case of taper shafts, the load must be exerted on the tapered surface.

For this reason, at least 70% of gage fitting is required on the tapered surface.

In addition, the screw at the end of the taper shaft must be tightened with a proper torque to achieve sufficient axial force.

Straight shaft

To use a straight shaft that has no key way, connect the shaft with a coupling using a locking element. Because the locking element connects elements by the friction generated when the screw is tightened, it is free from backlash and the concentration of stress. For this reason, the locking element is highly reliable for connecting elements.

To assure sufficient transmission with the locking element, factors such as the tightening torque of the screw, the size of the screw, the number of screws, the clamping flange, and the rigidity of connecting elements are important. Refer to the manufacturer's specifications before using the locking element. When a coupling or gear is mounted using the locking element, tighten the screws to remove a run-out of the coupling or gear including the shaft.

Straight shaft with a key way

In a straight shaft with a key way, torque is transmitted at the key.

This means that if there is a looseness between the key and key way, the impact incurred at the time of inversion increases, which can result in shaft breakage, or a backlash occurs as a result of the looseness, which can lower positioning accuracy. Therefore, the key and key way should be designed so as to minimize the looseness between them.

When performing acceleration abruptly or frequently, select a taper shaft or straight shaft with no key groove.

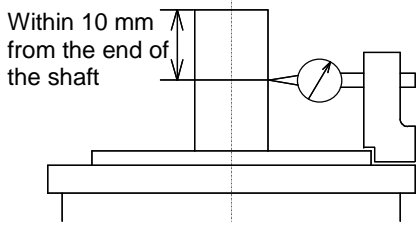
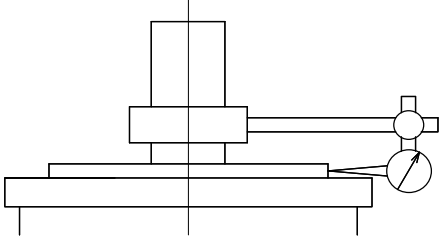
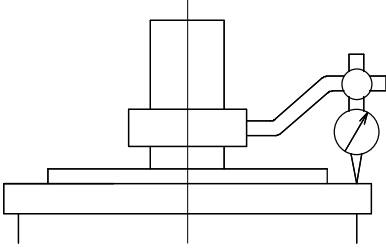
3.3.3 Allowable Axis Load for a Servo Motor

The allowable axis load for the shaft of each motor is indicated in Chapter 7, "OUTLINE DRAWINGS". Using a motor under a load higher than the allowable axial load may break the motor. When designing a machine and connecting a motor to the machine, fully consider the following points:

- The allowable radial load is determined, assuming that a radial load is applied to the end of the shaft.
- Applying a load higher than the allowable axis load may break the bearing. Applying a radial load higher than the allowable radial load may break the shaft due to a fatigue failure.
- A radial load indicates the constant force continuously applied to the shaft depending on the mounting method (such as belt tension) and the force by the load torque (such as dividing moment by pulley radius).
- When a timing belt is used, the belt tension is critical particularly. Too tight a belt causes a fault such as the broken shaft. Belt tension must be controlled so as not to exceed the limits calculated from the allowable radial load. Positioning the pulley as close to the bearing as possible in design can prevent possible faults such as the broken shaft.
- In some use conditions, the pulley diameter and gear size should be considered. For example, when the $\alpha 1$ F4 model is used with a gear and pulley with a radius of 2.5 cm or less, the radial load with a torque of 17.6 Nm (180 kgfcm) exceeds the allowable axis load, 686 N (70 kgf). In this case, take measures such as supporting the end of the motor shaft mechanically.
- If a motor may be used under a load higher than the allowable axis load, the machine tool builder should examine the life by referencing the shaft diameter, bearing, and other factors. Since the standard single-row deep-groove ball bearing is used for the motor bearing, a too high axial load cannot be used. To use a worm or helical gear, in particular, use another bearing.
- The motor bearing is generally fixed with a C-snap ring, and there is a small play in the axial direction. If the axial play affects the positioning in the case of using a worm or helical gear, fit it with another bearing.

3.3.4 Shaft Run-out Precision of a Servo Motor

The shaft run-out precision of each motor is indicated in Chapter 7, "OUTLINE DRAWINGS". The methods of measuring the shaft run-out precision are specified below:

Item	Measuring method
Shaft diameter run-out	
Run-out of the faucet joint for mounting the flange against the center of the shaft (Only for flange type)	
Run-out of the flange mounting surface against the center of the shaft (Only for flange type)	

3.3.5 Other Notes on Axis Design

Machine movement per 1 revolution of motor shaft

The machine movement per 1 revolution of motor shaft must be determined at the first stage of machine design referring the load torque, load inertia, rapid traverse speed, and relation between minimum increment and resolution of the position sensor mounted on the motor shaft. To determine this amount, the following conditions should be taken into consideration.

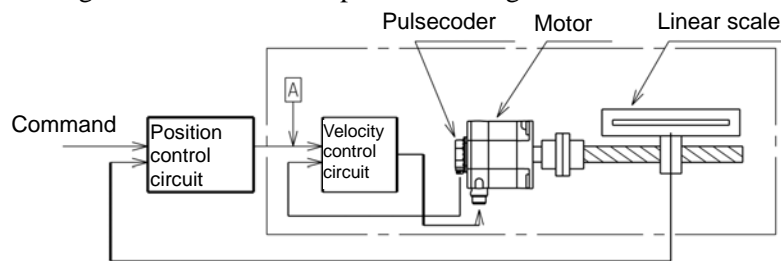
- The machine movement per 1 revolution of motor shaft must be such that the desired rapid traverse speed can be obtained. For example, if the maximum motor speed is 1500 min^{-1} and the rapid traverse speed must be 12 m/min. , the machine movement per 1 rev. must be 8 mm/rev. or higher.
- As the machine movement per 1 revolution of motor shaft is reduced, both the load torque and the load inertia reflected to motor shaft also decrease. Therefore, to obtain large thrust, the machine movement per 1 rev. should be the lowest value at which the desired rapid traverse speed can be obtained.
- Assuming that the accuracy of the reduction gear is ideal, it is advantageous to make the machine movement per 1 rev. of motor shaft as low as possible to obtain the highest accuracy in mechanical servo operations. In addition, minimizing the machine movement per 1 rev. of motor shaft can increase the servo rigidity as seen from the machine's side, which can contribute to system accuracy and minimize the influence of external load changes.

- When the machine is operation is characterized by repeated acceleration/deceleration cycles, a heating problem may occur due to the current flow caused by the acceleration and deceleration. Should this occur, the machine travel distance per motor shaft revolution should be modified. Given optimum conditions, the machine travel distance per motor shaft revolution is set such that the motor's rotor inertia equals the load inertia based on motor shaft conversion. For machines such as punch presses and PCB drilling machines, the machine's travel distance per motor shaft revolution should be set so as to satisfy this optimum condition as far as possible, while also considering the rapid traverse rate and increment system.

Precautions for using linear scale

In the case where the machine moves in a linear direction and movement is directly detected by linear scale such as inductosyn, magne-scale etc., special considerations are necessary in comparison with the method where feedback is produced by detecting the motor shaft rotation. This is because the machine movement now directly influences the characteristics of the control system.

The following block diagram shows feedback produced using a linear scale.



The response of this control system is determined by the adjustment value (position loop gain) of the position control circuit. In other words, the position loop gain is determined by the specified response time of the control system. In the diagram above, the section enclosed by the broken line is called the velocity loop.

Unless the response time of this section where position signal is detected is sufficiently shorter than the response time determined by the position loop gain, the system does not operate properly. In other words, when a command signal is put into point A, response time of the machine where position signals are detected must be sufficiently shorter than the response time defined by the position loop gain.

If the response of the sensor section is slow, the position loop gain should be reduced to have the system operate normally, and as a result, the response of the whole system becomes slow. The same problem is caused when inertia is great.

The main causes for slow response are the mass of the machine and the elastic deformation of the machine system. The larger the volume, and the greater the elastic deformation, the slower the response becomes.

As an index for estimating the response of this machine system, the natural frequency of the machine is used, and this is briefly calculated by the following equation.

$$W_m = \frac{1}{2\pi} \times \sqrt{\frac{K_m}{J_L}}$$

W_m : Natural frequency

J_L : Load inertia reflected to motor shaft

K_m : Rigidity of machine system

(=Torque necessary to elastically deform 1[rad] at the motor shaft when the machine table is clamped.)

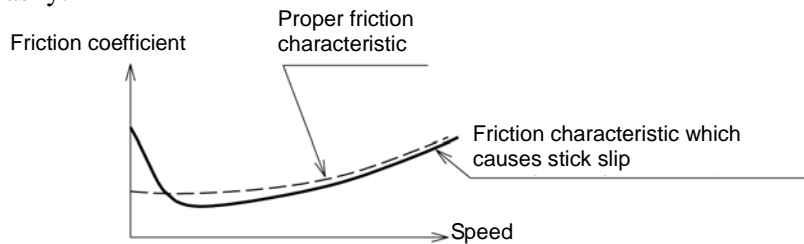
The above values can be obtained by calculating the elastic deformation for each section of the driving system. The machine should be designed so that the value of this natural frequency [Hz] will be more than or equal to the value of the position loop gain [sec^{-1}]. For example, when setting 20 [sec^{-1}] as the value of position loop gain, natural frequency of machine system must be more than 20 [Hz].

In this case, the response of the control system becomes a problem for extremely small amounts of movement. Consequently, the natural frequency should be calculated from the rigidity at extremely small displacement such as 10 [μm] or less.

Stick slip

If machine movement causes a stick slip, the control system does not operate normally. That is, it does not stop where it is supposed to, but a phenomenon occurs where it goes beyond and then back within an extremely small range (hunting).

To avoid stick slip, the machine rigidity should be increased, or friction characteristics of the sliding surface should be improved. When the sliding surface friction characteristic is as in the figure below, stick slip occurs easily.



Value of machine overrun (Damping coefficient of machine system)

When the machine is floated by static pressure, etc., there are cases where the machine keeps on moving within the range of backlash although the motor shaft has stopped. If this amount is large, hunting will also occur. To avoid this, backlash should be reduced (especially the backlash of the last mass where position sensor is mounted) and the appropriate damping should be considered.

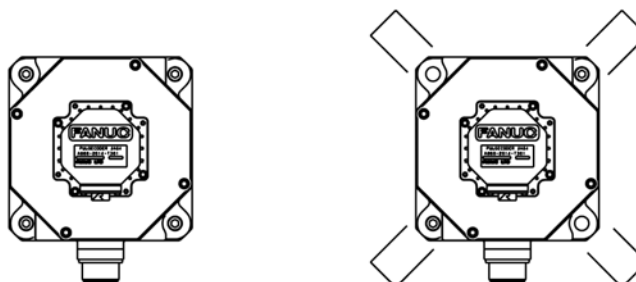
Reciprocating motion over a short distance

Continuing reciprocating motions over a short distance with a small number of revolutions causes the bearing to become short of lubricant, which can shorten the life of the bearing. When such motions are performed, special care should be taken by, for example, turning the motor at least one turn periodically.

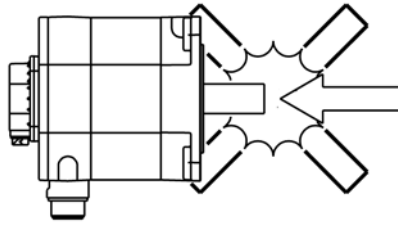
3.3.6 Cautions in Mounting a Servo Motor

The servo motor contains precision sensor, and is carefully machined and assembled to provide the required precision. Pay attention to the following items to maintain the precision and prevent damage to the sensor.

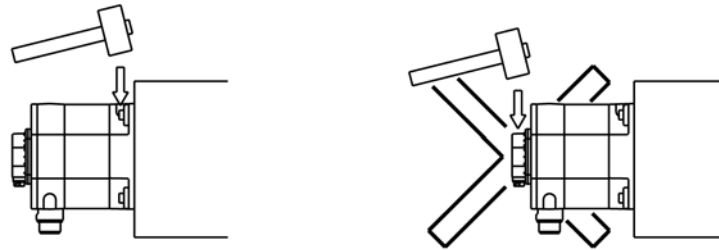
- Secure the servo motor uniformly using four bolt holes provided on the front flange. (For the α iS 1000HV to α iS 3000HV, the motor's own weight must be supported by the feet, and the flange must be used as the reference for alignment to the machine.)



- Ensure that the surface on which the machine is mounted is sufficiently flat. When mounting on the machine, take care not to apply a shock to the motor.

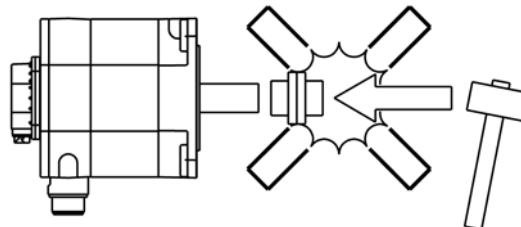


- When it is unavoidable to tap the motor for adjusting the position, etc., use a plastic hammer and tap only the front flange if possible.

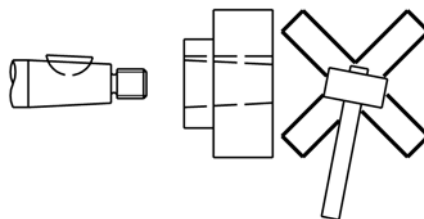


A precision sensor is directly connected to the servo motor shaft.
Pay attention to the following items to prevent damage to the sensor.

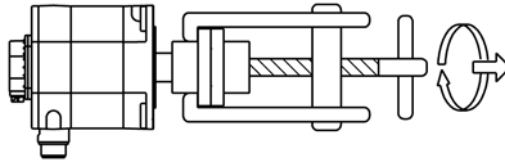
- When connecting the power transmission elements such as a gear, a pulley and a coupling to the shaft, take care not to apply a shock to the shaft.



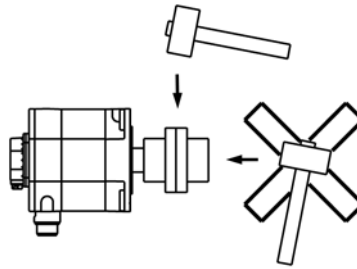
- Generally, in the case of straight shaft, use a locking element for connection with the shaft.
- In the case of tapered shaft, match the tapered surface with the power transmission element and fix by tightening the screw at the end. When the woodruff key is too tight, don't tap it with a hammer. Use the woodruff key mainly for positioning, and use the tapered surface for torque transmission. Machine the tapered surface of the power transmission element so that over 70% of the whole surface is contacted.



- To remove the connected power transmission element, be sure to use a jig such as a gear puller.



- When tapping slightly to remove the tightly contacted tapered surface, tap in the radial direction to prevent a shock in the axial direction.



- Suppress the rotary unbalance of the connected power transmission element to the level as low as possible. It is usually believed that there is no problem in the symmetrical form. Be careful when rotating continuously the asymmetrical different form power transmission element. Even if the vibration caused by the unbalance is as small as 0.5G, it may damage the motor bearing or the sensor.
- An exclusive large oil seal is used in the front flange of the models *aiS* 8 to *aiS* 50. The oil seal surface is made of steel plate. Take care not to apply a force to the oil seal when installing the motor or connecting the power transmission elements.

4 SELECTING A MOTOR

A servo motor should be selected based on the load on the servo motor, rapid traverse rate, unit, and other conditions. The load on the servo motor is the following types of torque: steady-state load torque (including gravity and friction), acceleration torque required for acceleration/deceleration, and, for a machine tool, cutting torque by cutting force.

When selecting a motor, calculate these loads accurately according to the instructions in this chapter and check that the calculated values satisfy the conditions for selecting a servo motor described in this chapter.

This chapter describes how to calculate the load and other conditions using a table with a horizontal axis as an example.

Chapter 4, "SELECTING A MOTOR", consists of the following sections:

4.1	CONDITIONS FOR SELECTING A SERVO MOTOR.....	29
4.2	SELECTING A MOTOR.....	31
4.3	HOW TO FILL IN THE SERVO MOTOR SELECTION DATA TABLE.....	47
4.4	CHARACTERISTIC CURVE AND DATA SHEET	54

4.1 CONDITIONS FOR SELECTING A SERVO MOTOR

The conditions for selecting a servo motor are given below.

[Selection condition 1] Steady-state load torque

- **The steady-state load torque including mechanical friction and gravity must fall within approximately 70% of the stall torque of a motor.**

If the steady-state load torque is close to the stall torque, the root-mean-square value of the total torque including the acceleration torque is more likely to exceed the stall torque.

Along the vertical axis, the load may be increased during lifting and at stop due to a mechanical factor. In this case, the theoretically calculated gravity retaining torque must be 60% (less than 60% in some cases) of the stall torque of a motor.

This figure of "within 70% of the steady-state load torque rating" is for reference only. Determine the appropriate torque based upon actual machine tool conditions.

[Selection condition 2] Motor speed

- **The motor speed must not exceed the maximum motor speed (rated speed during continuous operation).**

Calculate the motor speed and check that the speed does not exceed the maximum motor speed. For continuous operation, check that the speed does not exceed the rated speed.

[Selection condition 3] Load inertia ratio

- **The load inertia ratio must be appropriate.**

The ratio of motor inertia and load inertia (load inertia ratio) greatly affects the controllability of the motor as well as the acceleration/deceleration time in rapid traverse.

When the load inertia does not exceed three times the motor inertia, an ordinary metal cutting machine can be used without problems, while the controllability may have to be lowered a little in some cases.

For a machine for cutting a curve at a high speed, such as a router for woodworking, it is recommended that the load inertia be smaller than or equal to the motor inertia.

If the load inertia is greater than the motor inertia by a factor of more than 3 to 5, the controllability of the motor may be adversely affected. If the load inertia is much larger than three times the motor inertia, adjustment within the normal range may be insufficient. It is desirable to avoid using a motor with such inertia.

[Selection condition 4] Acceleration torque

- **Acceleration can be made with a desired time constant.**

Since the load torque generally helps deceleration, if acceleration can be executed with a desired time constant, deceleration can be made with the same time constant, through both acceleration and deceleration should be considered in principle. Calculate the acceleration torque and check that the torque required for acceleration is within the intermittent operating zone of the motor.

[Selection condition 5] Root-mean-square value of torque

- **The root-mean-square value of torque in a cycle must be sufficiently greater than the stall torque.**

A motor gets hot in proportion to the square of the torque. For a servo motor for which the load condition always changes, the calculated root-mean-square value of torque in a cycle must be sufficiently greater than the stall torque.

Pay attention, in particular, when the cutting load, acceleration/deceleration condition, and other load conditions variously change in a cycle.

When the desired frequency of positioning in rapid traverse becomes greater, the ratio of the time during which the acceleration/deceleration torque is being applied to the entire operation time increases and the root-mean-square value of torque increases. In this case, increasing the acceleration/deceleration time constant is effective to decrease the root-mean-square value of torque.

[Selection condition 6] Percentage duty cycle and ON time with the maximum cutting torque

- **The time during which the table can be moved with the maximum cutting torque (percentage duty cycle and ON time) must be within a desired range.**

The continuously applied torque such as the cutting load may exceed the stall torque. In this case, use overload duty curves to check how the ratio (percentage duty cycle) of the load applying time to the no-load applying time and the time during which the load is being applied (ON time) change.

[Selection condition 7] Dynamic brake stop distance

- **The stop distance when the dynamic brake is applied at an emergency stop must be within a desired range.**

If the stop distance is not within the desired range, the machine may cause a collision at an emergency stop.

Along the vertical axis (for motors with a brake)

[Selection condition 8] Brake retaining torque

- **The load torque should be within the brake retaining torque.**

If this cannot be satisfied, counter balance and so forth should be taken into consideration.

The following sections explain the procedure for selecting a motor sequentially for each selection condition. Determine whether each selection condition above is satisfied.

NOTE

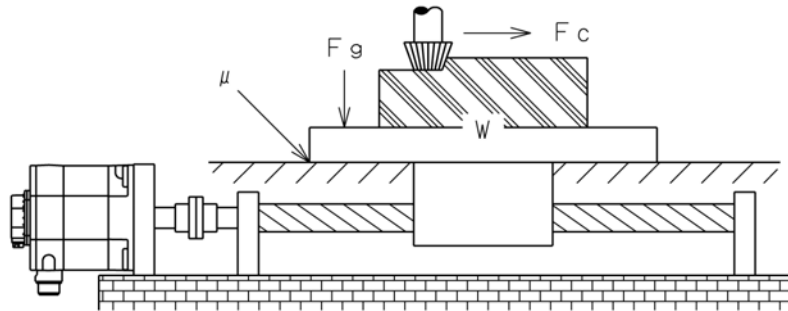
When handling units, be extremely careful not to use different systems of units. For example, the weight of an object should be expressed in [kg] in the SI system of units because it is handled as "mass" or [kgf] in the gravitational system of units because it is handled as "force." Inertia is expressed in [kg·m²] in the SI system of units or in [kgf·cm·sec²] in the gravitational system of units. In this manual, both systems of units are written together to support them.

$$(1 \text{ kg} \cdot \text{m}^2 = \frac{100}{9.8} \text{ kgf} \cdot \text{cm} \cdot \text{s}^2)$$

4.2 SELECTING A MOTOR

Sample model for calculations for selecting a servo motor

The following subsections explain how to calculate conditions for selecting a servo motor best suited for a table with a horizontal axis with the following specifications.



Sample mechanical specifications of the table and workpiece

W : Weight of movable parts (table and workpiece)	=11760[N]=1200[kgf]
w : Mass of movable parts (table and workpiece)	=1200[kg]
μ : Friction coefficient of the sliding surface	=0.05
η : Efficiency of the driving system (including a ball screw)	=0.9
F _g : Gib fastening force (kgf)	=490[N]=50[kgf]
F _c : Thrust counter force caused by the cutting force (kgf)	=4900[N]=500[kgf]
F _{cf} : Force by which the table is pressed against the sliding surface, caused by the moment of cutting force	=294[N]=30[kgf]
Z ₁ /Z ₂ : Gear reduction ratio	= 1/1
T _f : Friction torque applied to the motor shaft	=0.8[N·m]=8[kgf·cm]

Sample specifications of the feed screw (ball screw)

D _b : Shaft diameter	=40×10 ⁻³ [m]=40[mm]
L _b : Shaft length	=1[m]=1000[mm]
P : Pitch	=20×10 ⁻³ [m/rev]=20[mm/rev]

Sample specifications of the operation of the motor shaft

T _a : Acceleration torque	[N·m][kgf·cm]
V : Workpiece rapid traverse rate	=60[m/min]

V_m : Motor speed in rapid traverse	[min ⁻¹]
t_a : Acceleration time	=0.08[s]
J_M : Motor inertia	[kg·m ²][kgf·cm·sec ²]
J_L : Load inertia	[kg·m ²][kgf·cm·sec ²]
k_s : Position loop gain	=30[s ⁻¹]

4.2.1 Calculating the Load Torque

When a part moves along an axis at a constant speed, the torque obtained by multiplying the weight of the workpiece driving section by the friction coefficient is always applied. On a vertical or slanted axis, the motor keeps producing torque because it works against gravity. In addition, the motor also produces torque when the machine on the horizontal axis stops in proportion to the load friction. This continuously applied load torque is the steady-state load torque.

In cutting feed, the load torque is applied by cutting thrust. This is the cutting torque.

The above types of torque are generically called the load torque. The load torque applied to the motor shaft is generally given by the following equation:

$$T_m = \frac{F \times l}{2\pi\eta} + T_f$$

T_m : Load torque applied to the motor shaft [N·m]

F : Force required to move a movable part (table or tool post) along the axis [N]

l : Traveling distance of the machine tool per revolution of the motor = $P \times (Z_1/Z_2)$ [m/rev]

η : Efficiency of the driving system (including a ball screw)

T_f : Friction torque of the nut of the ball screw or bearing applied to the motor shaft (input if necessary) [N·m]

The force (F) is mainly given by the following equations:

When cutting is not executed (vertical axis):

$$F = (w - w_c)g = W - W_c$$

w_c : Mass of the counterbalance [kg]

W_c : Weight of the counterbalance [kgf]

When cutting is not executed (horizontal axis):

$$F = \mu(W + F_g)$$

When cutting is in progress (horizontal axis) (constant load + cutting thrust):

$$F = F_c + \mu(W + F_g + F_{ct})$$

[Example of calculation for condition 1] Steady-state load torque

For a table with a horizontal axis as given as a model, the steady-state load torque when cutting is not executed is calculated as follows:

$$\text{Example } F = 0.05 \times (11760 + 490) = 612.5 \text{ [N]} = 62.5 \text{ [kgf]}$$

$$T_m = (612.5 \times 20 \times 10^{-3} \times 1) \div (2 \times \pi \times 0.9) + 0.8 \\ = 3.0 \text{ [N·m]} = 30.6 \text{ [kgf·cm]}$$

Cautions in calculating the load torque

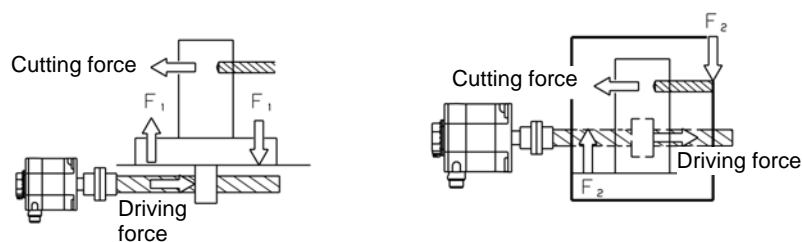
When calculating the torque, take the following precautions:

- Allow for the friction torque caused by the gib fastening force (F_g).

The torque calculated only from the weight of a movable part and the friction coefficient is generally quite small. The gib fastening force and precision of the sliding surface may have a great effect on the torque.

- The pre-load of the bearing or nut of the ball screw, pre-tension of the screw, and other factors may make T_c of the rolling contact considerable.
In a small, lightweight machine tool, the friction torque will greatly affect the entire torque.
- Allow for an increase in friction on the sliding surface (F_{cf}) caused by the cutting resistance. The cutting resistance and the driving force generally do not act through a common point as illustrated below. When a large cutting resistance is applied, the moment increases the load on the sliding surface.

When calculating the torque during cutting, allow for the friction torque caused by the load.



- The feedrate may cause the friction torque to vary greatly. Obtain an accurate value by closely examining variations in friction depending on variations in speed, the mechanism for supporting the table (sliding contact, rolling contact, static pressure, etc.), material of the sliding surface, lubricating system, and other factors.
- The friction torque of a single machine varies widely due to adjustment conditions, ambient temperature, and lubrication conditions. Collect a great amount of measurement data of identical models so that a correct load torque can be calculated. When adjusting the gib fastening force and backlash, monitor the friction torque. Avoid generating an unnecessarily great torque.

4.2.2 Calculating the Motor Speed

Calculate the motor speed using the movable part rapid traverse rate and traveling distance per revolution of the motor and check that the calculated motor speed does not exceed the maximum motor speed (rated speed for continuous operation).

$$V_m = \frac{V}{l}$$

V_m : Motor speed in rapid traverse [min^{-1}]

V : Workpiece rapid traverse rate [m/min]

l : Traveling distance per revolution of the motor
[m/rev] = $P \times Z_1 / Z_2$

[Example of calculation for condition 2] Motor speed

When V is 60 [m/min] and l is $P \times Z_1 / Z_2 = 0.020 \times 1 / 1 = 0.020$ [m/rev], V_m is $60 / 0.020 = 3000$ [min^{-1}]. This value does not exceed the rated speed of the $\alpha i S$ 22/4000 provisionally selected.

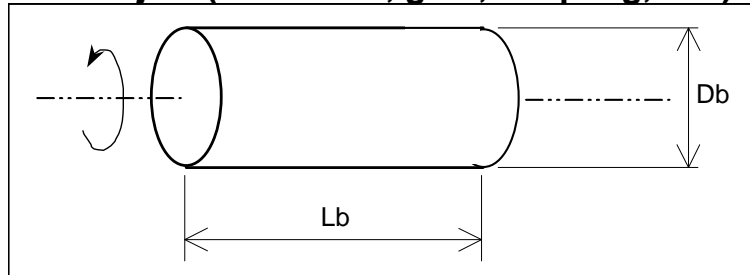
Then, select a motor whose load torque when cutting is not executed (stall torque) is 3.0 [$\text{N} \cdot \text{m}$] and whose maximum speed is at least 3000 [min^{-1}] from the data sheet. The $\alpha i S$ 22/4000 (with a stall torque of 22 [$\text{N} \cdot \text{m}$]) is provisionally selected with considering the acceleration/deceleration condition described in the following subsection.

4.2.3 Calculating the Load Inertia

Unlike the load torque, an accurate load inertia can be obtained just by calculation.

The inertia of all objects moved by the revolution of a driving motor forms the load inertia of the motor. It does not matter whether the object is rotated or moved along a straight line. Calculate the inertia values of individual moving objects separately, then add the values together, according to a rule, to obtain the load inertia. The inertia of almost all objects can be calculated according to the following basic rules:

Inertia of a cylindrical object (ball screw, gear, coupling, etc.)



The inertia of a cylindrical object rotating about its central axis is calculated as follows:

SI unit

$$J_b = \frac{\pi\gamma_b}{32} D_b^4 L_b \quad [\text{kg}\cdot\text{m}^2]$$

J_b : Inertia [$\text{kg}\cdot\text{m}^2$]

γ_b : Weight of the object per unit volume [kg/m^3]

D_b : Diameter of the object [m]

L_b : Length of the object [m]

Gravitational system of units

$$J_b = \frac{\pi\gamma_b}{32 \times 980} D_b^4 L_b \quad [\text{kgf}\cdot\text{cm}\cdot\text{s}^2]$$

J_b : Inertia [$\text{kgf}\cdot\text{cm}\cdot\text{s}^2$]

γ_b : Weight of the object per unit volume [kg/cm^3]

D_b : Diameter of the object [cm]

L_b : Length of the object [cm]

[Example of calculation for condition 3-1] Load inertia

Example)

When the shaft of a ball screw is made of steel ($\gamma=7.8\times 10^3[\text{kg}/\text{m}^3]$), inertia J_b of the shaft is calculated as follows:

When $D_b=0.040[\text{m}]$, $L_b=1[\text{m}]$,

$$J_b=7.8\times 10^3\times\pi\div 32\times 0.040^4\times 1=0.00196[\text{kg}\cdot\text{m}^2] (=0.0200[\text{kgf}\cdot\text{cm}\cdot\text{s}^2])$$

$$\left(1\text{kg}\cdot\text{m}^2 = \frac{100}{9.8}\text{kgf}\cdot\text{cm}\cdot\text{s}^2\right)$$

Inertia of a heavy object moving along a straight line (table, workpiece, etc.)

SI unit

$$J_b = w \times \left(\frac{l}{2\pi}\right)^2 \quad [\text{kg}\cdot\text{m}^2]$$

w : Mass of the object moving along a straight line [kg]

l : Traveling distance along a straight line per revolution of the motor [m]

Gravitational system of units

$$J_b = \frac{W}{980} \times \left(\frac{l}{2\pi} \right)^2 \quad [\text{kgf}\cdot\text{cm}\cdot\text{s}^2]$$

W : Weight of the object moving along a straight line [kgf]

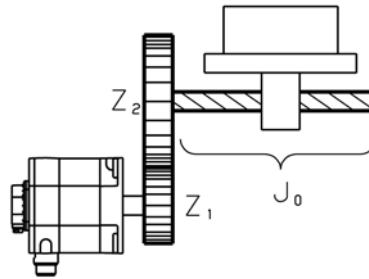
l : Traveling distance along a straight line per revolution of the motor [cm]

[Example of calculation for condition 3-2] Load inertia

Example)

When W is 1200(kg) and l is 20(mm), J_w of a table and workpiece is calculated as follows:

$$J_w = 1200 \times (0.020 \div 2 \div \pi)^2 = 0.01216 \text{ [kg}\cdot\text{m}^2] = 0.1241 \text{ [kgf}\cdot\text{cm}\cdot\text{s}^2]$$

Inertia of an object whose speed is increased above or decreased below the speed of the motor shaft

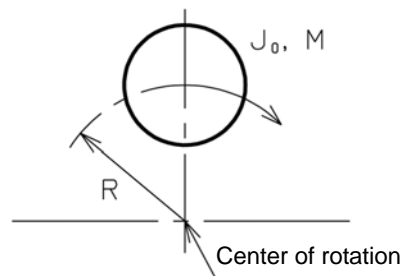
The inertia applied to the motor shaft by inertia J_0 is calculated as follows:

$$J = \left(\frac{Z_1}{Z_2} \right)^2 \times J_0 \quad \text{or} \quad \left(\frac{1}{Z} \right)^2 \times J_0$$

J_0 : Inertia before the speed is changed

Z_1, Z_2 : Number of teeth when the gear connection

$1/Z$: Deceleration ratio

Inertia of a cylindrical object in which the center of rotation is displaced

$$J = J_0 + MR^2$$

J_0 : Inertia around the center of the object

M : Weight of the object

R : Radius of rotation

The above equation is used to calculate the inertia of, for example, a large gear which is hollowed out in order to reduce the inertia and weight.

The sum of the inertia values calculated above is J (load inertia) for accelerating the motor.

Cautions as to the limitations on load inertia

The load inertia has a great effect on the controllability of the motor as well as the time for acceleration/deceleration in rapid traverse. When the load inertia is increased, the following two problems may occur: When a command is changed, it takes more time for the motor to reach the speed specified by the new command. When a machine tool is moved along two axes at a high speed to cut an arc or curve, a larger error occurs.

When the load inertia is smaller than or equal to the rotor inertia of the motor, those problems will not occur. When the load inertia is up to three times the rotor inertia, the controllability may have to be lowered a little. Actually, this will not adversely affect the operation of an ordinary metal cutting machine. If a router for woodworking or a machine to cut a curve at a high speed is used, it is recommended that the load inertia be smaller than or equal to the rotor inertia.

When the load inertia is greater than the rotor inertia by a factor of more than 3 to 5, the controllability of the motor will be adversely affected.

If the load inertia much larger than three times the rotor inertia, an adjustment in the normal range may be insufficient. Avoid using a machine with such a great load inertia.

[Example of calculation for condition 3-3] Load inertial ratio

The sum of J_b and J_w calculated in examples of calculation 3-1 and 3-2 is load inertia J_L , so the load inertia can be calculated as follows:

$$J_L = 0.00196 + 0.01216 = 0.01412 \text{ [kg}\cdot\text{m}^2\text{]}$$

The motor inertial of the αiS 22/4000 is 0.0053 [kg·m²] and the load inertia ratio is 2.7 times the motor inertia. This value is within the allowable range.

4.2.4 Calculating the Acceleration Torque

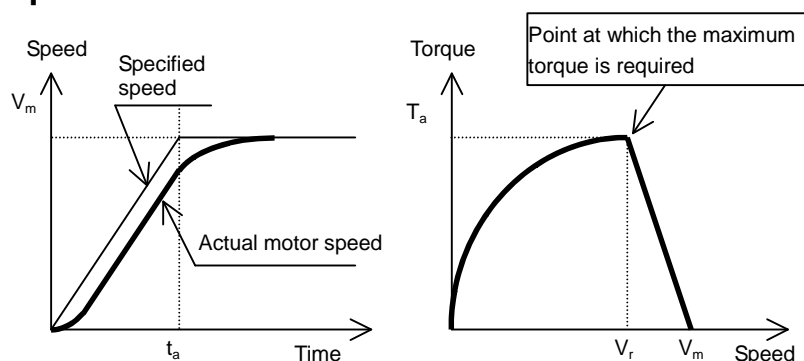
Calculate the acceleration torque required for the motor to accelerate and then obtain the torque required for acceleration by calculating the total torque including the steady-state load torque calculated before. Next, confirm the result is included in the intermittent operation area for the motor.

4.2.4.1 Calculating acceleration torque

Assuming that the motor shaft operates ideally in the acceleration/ deceleration mode determined by the NC, calculate the angular acceleration. Multiply the angular acceleration by the entire inertia (motor inertia + load inertia). The product is the acceleration torque.

In rapid traverse, there are linear acceleration/deceleration and feed-forward during rapid traverse + bell-shaped acceleration/ deceleration. The equations for calculating the acceleration torque in each mode are given below.

Acceleration torque in linear acceleration/deceleration



When the torque is T_a and the speed is V_r in the above figure, the maximum torque is required. The equations for calculating T_a and V_r are given below:

$$T_a = V_m \times \frac{2\pi}{60} \times \frac{1}{t_a} \times (J_M + J_L / \eta) \times (1 - e^{-k_s \cdot t_a})$$

$$V_r = V_m \times \left\{ 1 - \frac{1}{t_a \cdot k_s} (1 - e^{-k_s \cdot t_a}) \right\}$$

T_a : Acceleration torque [N·m]

V_m : Motor speed in rapid traverse [min^{-1}]

t_a : Acceleration time [sec]

J_M : Motor inertia [$\text{kg}\cdot\text{m}^2$]

J_L : Load inertia [$\text{kg}\cdot\text{m}^2$]

V_r : Motor speed at which the acceleration torque starts to decrease [min^{-1}]

k_s : Position loop gain [sec^{-1}]

η : Machine tool efficiency

e : base of a natural logarithm (≈ 2.71)

[Example of calculation for condition 4-1] Example of calculation

Try to perform linear acceleration/deceleration under the following condition.

$$V_m = 3000 \text{ [min}^{-1}\text{]}$$

$$t_a = 0.08 \text{ [s]}$$

$$k_s = 30 \text{ [s}^{-1}\text{]}$$

$$J_L = 0.01412 \text{ [kg}\cdot\text{m}^2\text{]}$$

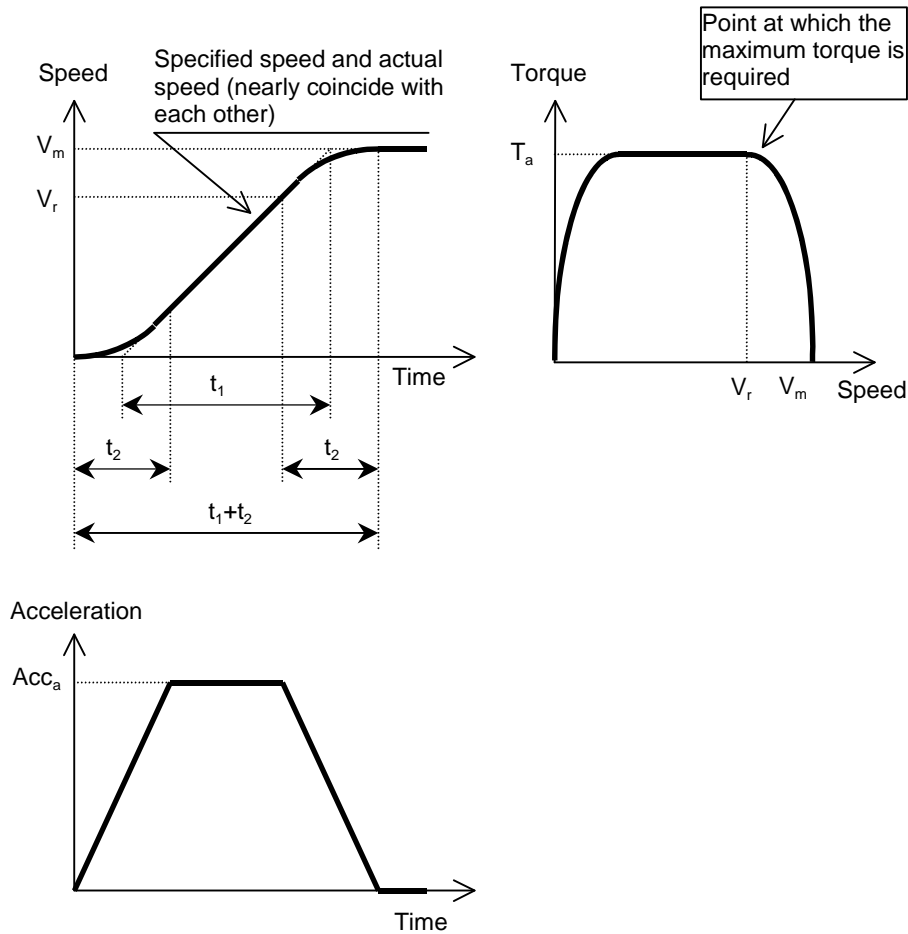
Select the αiS 22/4000 provisionally selected in example of calculation <1>.

J_M motor inertia is $0.0053 \text{ [kg}\cdot\text{m}^2\text{]}$ when αiS 22/4000 is selected, so the load inertia is calculated as follows:

$$\begin{aligned} T_a &= 3000 \times (2\pi/60) \times (1/0.08) \times (0.0053 + 0.01412 \div 0.9) \times (1 - e^{-30 \times 0.08}) \\ &= 74.9 \text{ [N}\cdot\text{m}] = 765 \text{ [kgf}\cdot\text{cm}] \end{aligned}$$

$$V_r = 3000 \times \left\{ 1 - 1 / (0.08 \times 30) \times (1 - e^{-30 \times 0.08}) \right\} = 1863 \text{ [min}^{-1}\text{]}$$

Acceleration torque in feed-forward during rapid traverse + bell-shaped acceleration/deceleration



When the feed-forward coefficient is large enough, the acceleration torque in feed-forward during rapid traverse + bell-shaped acceleration/deceleration can approximate to the value obtained with the feed-forward coefficient = 1. When the feed-forward coefficient is 1, the equations for calculating the acceleration torque (T_a), speed (V_r), and maximum workpiece acceleration (Acc_a) are given below:

$$T_a = V_m \times \frac{2\pi}{60} \times \frac{1}{t_1} \times (J_M + J_L/\eta\eta)$$

$$V_r = V_m \times \left(1 - \frac{t_2}{2t_1}\right)$$

$$Acc_a = V_m \times \frac{2\pi}{60} \times \frac{1}{t_1} \times P$$

T_a : Acceleration torque [N·m]

V_m : Motor speed in rapid traverse [min^{-1}]

t_1 : Acceleration time constant T1 [sec]

t_2 : Acceleration time constant T2 [sec]

J_M : Motor inertia [$\text{kg}\cdot\text{m}^2$]

J_L : Load inertia [$\text{kg}\cdot\text{m}^2$]

η : Machine tool efficiency

V_r : Motor speed at which the acceleration torque starts to decrease [min^{-1}]

Acc_a : Maximum workpiece acceleration [m/sec^2]=[G]

P : Pitch [m/rev]

(Reference)

Minimizing t_1 and increasing t_2 by the same amount allows the maximum workpiece acceleration (Acc_a) to be increased and the motor speed at which the acceleration torque starts to decrease (V_r) to be decreased. This allows the efficient use of the motor acceleration torque.

If t_2 is too large, the positioning completion time ($t_1 + t_2$) tends to increase.

Consequently, achieving a balance between t_1 and t_2 is effective in obtaining required specifications of the machine.

4.2.4.2 Calculating the torque required by the motor shaft in acceleration

To obtain the torque required by the motor shaft (T), add the steady-state load torque (T_m) to the acceleration torque (T_a). (Cutting torque T_{cf} is assumed not to be applied.)

$$T = T_a + T_m$$

T : Torque required by the motor axis

T_a : Acceleration torque

T_m : Steady-state load torque

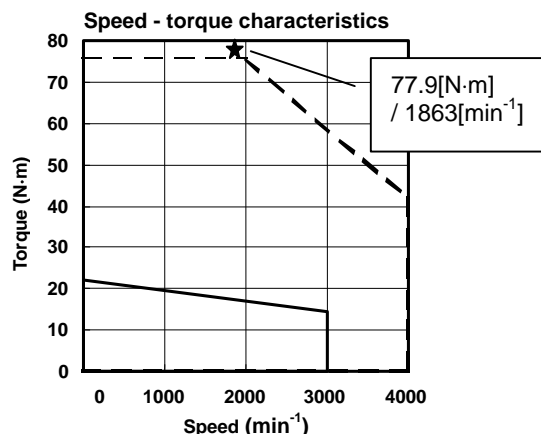
[Example of calculation for condition 4-2] Acceleration torque

When T_m is 3.0 [N·m] as calculated in example of calculation 1 and T_a is 74.9 [N·m] as calculated in example of calculation 4-1, the acceleration torque (T) is calculated as follows:

$$T = 74.9[\text{N}\cdot\text{m}] + 3.0[\text{N}\cdot\text{m}] = 77.9[\text{N}\cdot\text{m}]$$

The speed when the maximum torque is required (V_r) is 1863 [min^{-1}].

The speed-torque characteristics of the αiS 22/4000, given below, show that the point of 77.9 [N·m]/1863 [min^{-1}] is beyond the intermittent operating zone of the αiS 22/4000 (the torque is insufficient).



Speed - torque characteristics for αiS 22/4000

If it is impossible to change the operation specifications of the shaft (such as to increase the acceleration time), a larger motor must be selected.

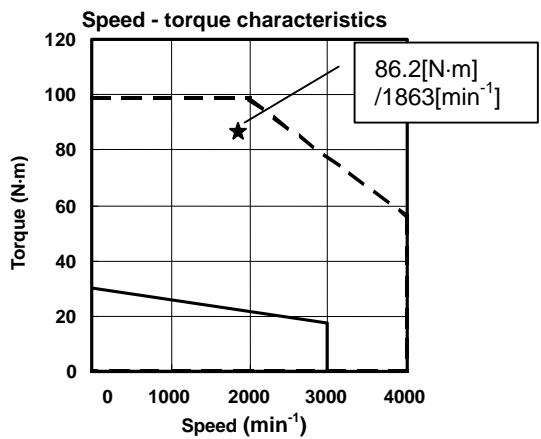
Select the αiS 30/4000 (motor inertia (J_M) = 0.0076 [$\text{kg}\cdot\text{m}^2$], 1.9 times load inertia ratio) and calculate the acceleration torque again.

$$T_a = 83.2[\text{N}\cdot\text{m}] = 849[\text{kgf}\cdot\text{cm}]$$

$$V_r = 1863[\text{min}^{-1}]$$

$$T = 83.2[\text{N}\cdot\text{m}] + 3.0[\text{N}\cdot\text{m}] = 86.2[\text{N}\cdot\text{m}]$$

The speed-torque characteristics of the αiS 30/4000, given below, show that the point of 86.2 [N·m]/1863 [min^{-1}] is within the intermittent operating zone of the αiS 30/4000 (acceleration is possible).



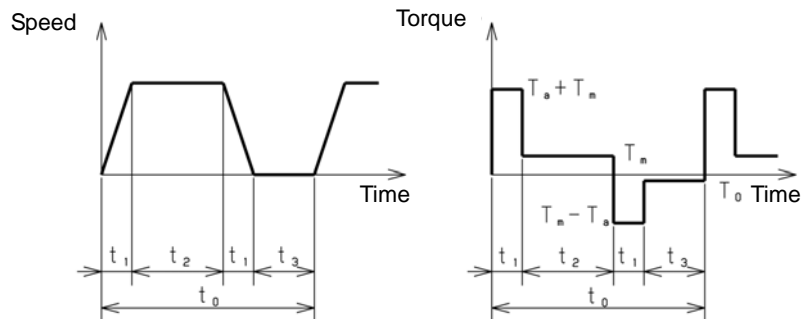
Speed - torque characteristics for αiS 30/4000

4.2.5 Calculating the Root-mean-square Value of the Torques

A motor gets hot in proportion to the square of the torque. For a servo motor for which the load condition always changes, the calculated root-mean-square value of torque in a cycle must be sufficiently greater than the stall torque.

Root-mean-square value of torque in acceleration/deceleration in rapid traverse

First, generate an operation cycle which performs acceleration/ deceleration in rapid traverse with a desired frequency of positioning in rapid traverse. Write the time-speed graph and time-torque graph as shown below.



From the time-torque graph, obtain the root-mean-square value of torques applied to the motor during the single operation cycle. Check whether the value is smaller than or equal to the torque at stall.

$$T_{rms} = \sqrt{\frac{(T_a + T_m)^2 t_1 + T_m^2 t_2 + (T_m - T_a)^2 t_1 + T_0^2 t_3}{t_0}}$$

- T_a : Acceleration torque
- T_m : Steady-state load torque
- T₀ : Torque when stopped

When T_{rms} falls within 90% of the stall torque T_s, the servo motor can be used. (The entire thermal efficiency and other margins must be considered.)

NOTE

The motor actually rotates, but the determination must be based on the stall torque.

When the motor is being operated at high speed for a comparatively large proportion of the time, you must take the rotating speed of the motor into consideration and evaluate whether output can be specified in terms of a continuous operation torque.

[Example of calculation for condition 5]**Root-mean-square value of the torques**

$\alpha iS 30/4000$ ($T_s = 3.0[\text{N}\cdot\text{m}] = 306[\text{kgf}\cdot\text{cm}]$), $T_a = 83.2[\text{N}\cdot\text{m}]$,

$T_m = T_o = 3.0[\text{N}\cdot\text{m}]$, $t_1 = 0.08[\text{sec}]$, $t_2 = 2.0[\text{sec}]$, $t_3 = 3.0[\text{sec}]$

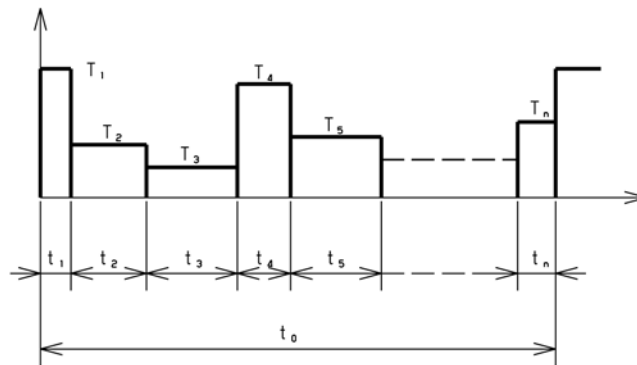
$$T_{rms} = \sqrt{\frac{(83.2 + 3.0)^2 \times 0.08 + 3.0^2 \times 2.0 + (83.2 - 3.0)^2 \times 0.08 + 3.0^2 \times 3}{0.08 \times 2 + 2.0 + 3}}$$

$$= 15.0[\text{N}\cdot\text{m}] < T_s \times 0.9 = 30 \times 0.9 = 27[\text{N}\cdot\text{m}]$$

The $\alpha iS30/4000$ can be used for operation.

Root-mean-square value of torque in a cycle in which the load varies

If the load conditions (cutting load, acceleration/deceleration conditions, etc.) vary widely in a single cycle, write a time-torque graph according to the operation cycle, as in above item. Obtain the root-mean-square value of the torques and check that the value is smaller than or equal to the torque at stall.



$$T_{rms} = \sqrt{\frac{T_1^2 t_1 + T_2^2 t_2 + T_3^2 t_3 + \dots + T_n^2 t_n}{t_0}}$$

$$t_0 = t_1 + t_2 + t_3 + \dots + t_n$$

NOTE

The motor actually rotates, but the determination must be based on the stall torque.

When the motor is being operated at high speed for a comparatively large proportion of the time, you must take the rotating speed of the motor into consideration and evaluate whether output can be specified in terms of a continuous operation torque.

4.2.6 Calculating the Percentage Duty Cycle and ON Time with the Maximum Cutting Torque

Confirm that the time (duty percentage and ON time) during which the maximum cutting torque can be applied for cutting is shorter than the desired cutting time.

First, calculate the load torque applied when the cutting thrust (F_c) is applied to the motor shaft (T_{ms}). When this load torque is smaller than the product of the motor stall torque (T_s) and thermal efficiency (α), the motor can be used in continuous cutting. If the value is greater than the product, follow the procedure below to calculate the ON time during which the maximum cutting load torque (T_{ms}) can be applied to the motor (t_{ON}) and the percentage ratio (percentage duty cycle with the maximum cutting torque) of the ON time to the total time of a single cutting cycle (t).

α is assumed to be 0.9. Calculate the percentage considering the specifications of the machine.

Determining whether continuous operation can be performed with the maximum cutting torque

Calculate the percentage duty cycle, according to the following figure and expressions.

$$T_{ms} < T_s \times \alpha$$

Operation can be continued with the maximum cutting torque. (The percentage duty cycle with the maximum cutting torque is 100%.)

$$T_{ms} > T_s \times \alpha$$

Calculate the percentage duty cycle, according to the following figure and expressions.

[Example of calculation for condition 6-1]

Percentage duty cycle and ON time with the maximum cutting torque

The load torque in cutting is calculated as follows:

$$F = F_c + \mu(W + F_g + F_{cf})$$

$$F = 4900 + 0.05 \times (11760 + 490 + 294) = 5527 [\text{N}] = 564 [\text{kgf}]$$

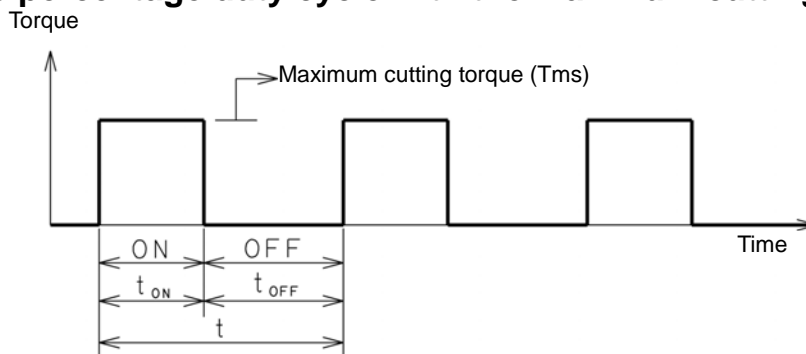
$$T_m = (5527 \times 20 \times 10^{-3} \times 1) \div (2 \times \pi \times 0.9) + 0.8 = 20.3 [\text{N} \cdot \text{m}] = 208 [\text{kgf} \cdot \text{cm}]$$

The stall torque of the α S30/4000 (T_s) is $30 [\text{N} \cdot \text{m}] = 306 [\text{kgf} \cdot \text{cm}]$.

$$T_s \times \alpha = 30 \times 0.9 = 27 [\text{N} \cdot \text{m}] > T_{ms} = 20.3 [\text{N} \cdot \text{m}]$$

No problems will occur in continuous cutting.

Calculating the percentage duty cycle with the maximum cutting torque



If the load torque (T_{ms}) is greater than the product of the motor stall torque (T_s) and thermal efficiency (α), calculate the root-mean-square value of torque applied in a single cutting cycle. Specify t_{ON} and t_{OFF} so that the value does not exceed the product of the motor stall torque (T_s) and thermal efficiency (α). Then, calculate the percentage duty cycle with the maximum cutting torque as shown below.

Percentage duty cycle with the maximum cutting torque (Tms)

$$= \frac{t_{on}}{t_{on} + t_{off}} \times 100[\%]$$

[Example of calculation for condition 6-2]

Percentage duty cycle and ON time with the maximum cutting force

Example)

Assume that Tms is 40 [N·m] (Tm is 3.0 [N·m]).

$$\sqrt{\frac{40^2 t_{on} + 3^2 t_{off}}{t_{on} + t_{off}}} < 27[Nm] \text{ (90\% of the stall torque of the } \alpha iS \text{ 30/4000)}$$

Therefore,

$$\frac{t_{on}}{t_{off}} < 0.83$$

The above ratio of the non-cutting time to the cutting time is required. The percentage duty cycle is calculated as follows:

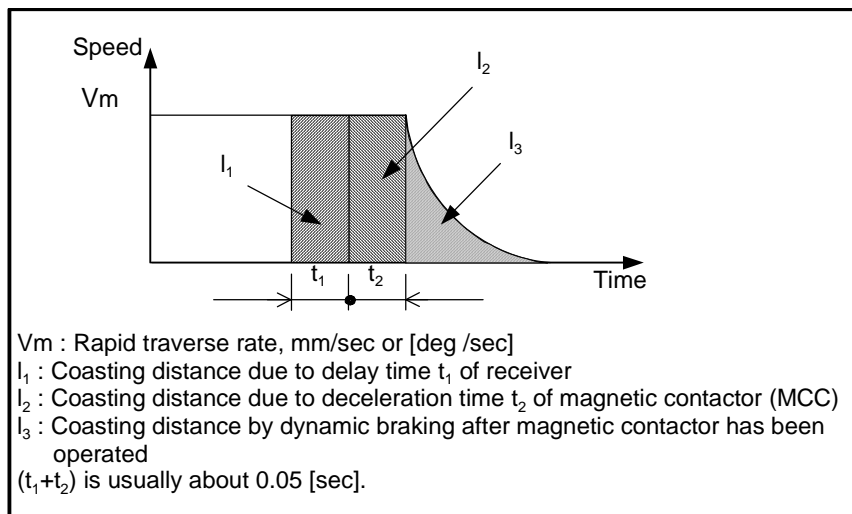
$$\frac{t_{on}}{t_{on} + t_{off}} \times 100 = 45.3\%$$

Limitations on ON time

The period during which continuous operation under an overload is allowed is also restricted by the OVC alarm level and overload duty cycle characteristics. Refer to Subsection 4.4.1, “Performance Curves” for details

4.2.7 Calculating the Dynamic Brake Stop Distance

The equation for calculating the coasting distance when an abnormality occurs and the machine tool is stopped by dynamic braking with both ends of the motor power line shorted (dynamic brake stop distance) is given below:



Coasting distance due = $V_m \times (t_1 + t_2) + (J_M + J_L) \times (A \times N_o + B \times N_o^3) \times L$

[mm] or [deg]

J_M : Motor inertia [kg·m²] [kgf·cm·s²]

J_L : Load inertia [kg·m²] [kgf·cm·s²]

N_o : Motor speed at rapid traverse [min⁻¹]

L : Machine movement on one-rotation of motor [mm/rev] or [deg/rev]

$(N_o/60 \times L = V_m)$

A : Coefficient A for calculating the dynamic brake stop distance

B : Coefficient B for calculating the dynamic brake stop distance

For details of A and B, see the table on the next item.

For J_M , see the data sheet of each motor in the Chapter 6, "SPECIFICATIONS."

There are two ways of shortening this dynamic brake stop distance: Emergency stop distance shortening function, and emergency stop distance shortening function effective also during power interruptions (additional hardware is required).

NOTE

- 1 The resistor element, which is built into the amplifier, for the dynamic brake is designed based on energy generated when the load inertia becomes five times the motor inertia and the motor stops from its maximum rotational speed. If exceeding the above condition, contact FANUC.
- 2 For the αiS 22/6000HV and αiS 500/3000HV, make sure that the load inertia is not more than three times the motor inertia. If exceeding the above condition, contact FANUC.

⚠ WARNING

If the motor stops from its maximum rotational speed with greater than specified load inertia ratio, the resistor element of the dynamic brake may become abnormally hot, possibly causing damage to the dynamic brake and a fire. Make no mistakes in the calculations of load inertia.

[Example of calculation for condition 7] Dynamic brake stop distance

Assume that the desired stop distance is 150 [mm].

Coasting distance =

$$(3000/60 \times 20)[\text{mm/sec}] \times 0.05[\text{sec}] + (0.0076[\text{kg} \cdot \text{m}^2] + 0.01412[\text{kg} \cdot \text{m}^2]) \times (4.0 \times 10^{-2} \times 3000[\text{min}^{-1}] + 3.1 \times 10^{-9} \times 3000^3[\text{min}^{-1}]) \times 20[\text{mm/rev}] = 138\text{mm}$$

It has been shown that the machine tool can be stopped within the desired stop distance.

Finally, the αiS 30/4000 which satisfies selection conditions 1 to 6 is selected.

Coefficients for dynamic brake calculation

αiS series (200-V system)

Model	SI unit		Gravitational system of units	
	A	B	A	B
$\alpha iS2/5000$ ^(Note)	1.9×10^{-1}	9.0×10^{-8}	1.9×10^{-2}	8.8×10^{-9}
$\alpha iS2/6000$ ^(Note)	2.9×10^{-1}	1.3×10^{-7}	2.8×10^{-2}	1.3×10^{-8}
$\alpha iS4/5000$ ^(Note)	7.6×10^{-2}	5.4×10^{-8}	7.4×10^{-3}	5.2×10^{-9}
$\alpha iS4/6000$	1.1×10^{-1}	8.3×10^{-8}	1.1×10^{-2}	8.2×10^{-9}
$\alpha iS8/4000$	1.8×10^{-1}	1.1×10^{-8}	1.8×10^{-2}	1.1×10^{-9}
$\alpha iS8/6000$	4.2×10^{-1}	4.4×10^{-9}	4.1×10^{-2}	4.3×10^{-10}
$\alpha iS12/4000$	1.1×10^{-1}	4.1×10^{-9}	1.1×10^{-2}	4.0×10^{-10}
$\alpha iS12/6000$	1.2×10^{-1}	3.6×10^{-9}	1.2×10^{-2}	3.5×10^{-10}
$\alpha iS22/4000$	5.8×10^{-2}	5.2×10^{-9}	5.7×10^{-3}	5.1×10^{-10}
$\alpha iS22/6000$	1.2×10^{-1}	2.9×10^{-9}	1.2×10^{-2}	2.9×10^{-10}
$\alpha iS30/4000$	4.0×10^{-2}	3.1×10^{-9}	3.9×10^{-3}	3.0×10^{-10}
$\alpha iS40/4000$	2.9×10^{-2}	2.2×10^{-9}	2.8×10^{-3}	2.2×10^{-10}

Model	SI unit		Gravitational system of units	
	A	B	A	B
$\alpha iS50/2000$	1.3×10^{-2}	2.3×10^{-8}	1.3×10^{-3}	2.2×10^{-10}
$\alpha iS60/2000$	1.0×10^{-2}	1.7×10^{-9}	9.9×10^{-4}	1.6×10^{-10}
$\alpha iS50/3000$ with fan	2.1×10^{-2}	1.4×10^{-9}	2.0×10^{-3}	1.4×10^{-10}
$\alpha iS60/3000$ with fan	1.2×10^{-2}	1.4×10^{-9}	1.2×10^{-3}	1.4×10^{-10}
$\alpha iS100/2500$	1.1×10^{-2}	2.2×10^{-9}	1.0×10^{-3}	2.2×10^{-10}
$\alpha iS100/2500$ with fan	1.1×10^{-2}	2.2×10^{-9}	1.0×10^{-3}	2.2×10^{-10}
$\alpha iS200/2500$	5.8×10^{-3}	1.1×10^{-9}	5.7×10^{-4}	1.1×10^{-10}
$\alpha iS200/2500$ with fan	5.8×10^{-3}	1.1×10^{-9}	5.7×10^{-4}	1.1×10^{-10}
$\alpha iS300/2000$	4.4×10^{-3}	7.9×10^{-10}	4.3×10^{-4}	7.8×10^{-11}
$\alpha iS500/2000$	2.3×10^{-3}	5.0×10^{-10}	2.2×10^{-4}	4.9×10^{-11}

NOTE

When servo amplifier $\alpha iSV 20/40$ is used to drive model $\alpha iS2/5000$, $\alpha iS2/6000$, or $\alpha iS4/5000$ (L axis), the values of A and B are as follows:

Model	SI unit		Gravitational system of units	
	A	B	A	B
$\alpha iS2/5000$	4.6×10^{-1}	3.7×10^{-8}	4.5×10^{-2}	3.6×10^{-9}
$\alpha iS2/6000$	6.9×10^{-1}	5.6×10^{-8}	6.8×10^{-2}	5.5×10^{-9}
$\alpha iS4/5000$	3.1×10^{-1}	1.3×10^{-8}	3.0×10^{-2}	1.3×10^{-9}

 αiS series (400-V system)

Model	SI unit		Gravitational system of units	
	A	B	A	B
$\alpha iS2/5000HV$	3.9×10^{-1}	4.4×10^{-8}	3.8×10^{-2}	4.4×10^{-10}
$\alpha iS2/6000HV$	5.9×10^{-1}	6.7×10^{-8}	5.8×10^{-2}	6.8×10^{-10}
$\alpha iS4/5000HV$	2.6×10^{-1}	1.6×10^{-8}	2.5×10^{-2}	1.5×10^{-9}
$\alpha iS4/6000HV$	3.8×10^{-1}	2.6×10^{-8}	3.8×10^{-2}	2.6×10^{-9}
$\alpha iS8/4000HV$	1.4×10^{-1}	1.4×10^{-8}	1.4×10^{-2}	1.4×10^{-9}
$\alpha iS8/6000HV$	3.2×10^{-1}	5.8×10^{-9}	3.1×10^{-2}	5.6×10^{-10}
$\alpha iS12/4000HV$	8.4×10^{-2}	5.3×10^{-9}	8.2×10^{-3}	5.2×10^{-10}
$\alpha iS12/6000HV$	2.1×10^{-1}	2.1×10^{-9}	2.0×10^{-2}	2.1×10^{-10}
$\alpha iS22/4000HV$	1.2×10^{-1}	2.5×10^{-9}	1.2×10^{-2}	2.5×10^{-10}
$\alpha iS22/6000HV$	2.1×10^{-1}	1.7×10^{-9}	2.1×10^{-2}	1.7×10^{-10}
$\alpha iS30/4000HV$	6.7×10^{-2}	1.8×10^{-9}	6.6×10^{-3}	1.8×10^{-10}
$\alpha iS40/4000HV$	4.9×10^{-2}	1.3×10^{-9}	4.8×10^{-3}	1.3×10^{-10}
$\alpha iS50/2000HV$	2.2×10^{-2}	1.3×10^{-8}	2.2×10^{-3}	1.3×10^{-10}
$\alpha iS60/2000HV$	1.7×10^{-2}	9.8×10^{-10}	1.7×10^{-3}	9.6×10^{-11}
$\alpha iS50/3000HV$ with fan	6.3×10^{-3}	4.5×10^{-9}	6.2×10^{-4}	4.4×10^{-10}
$\alpha iS60/3000HV$ with fan	3.8×10^{-3}	4.4×10^{-9}	3.7×10^{-4}	4.3×10^{-10}
$\alpha iS100/2500HV$	3.0×10^{-3}	8.1×10^{-9}	2.9×10^{-4}	7.9×10^{-10}
$\alpha iS100/2500HV$ with fan	3.0×10^{-3}	8.1×10^{-9}	2.9×10^{-4}	7.9×10^{-10}
$\alpha iS200/2500HV$	1.6×10^{-3}	4.1×10^{-9}	1.6×10^{-4}	4.0×10^{-10}
$\alpha iS200/2500HV$ with fan	1.6×10^{-3}	4.1×10^{-9}	1.6×10^{-4}	4.0×10^{-10}
$\alpha iS300/2000HV$	2.1×10^{-3}	1.7×10^{-9}	2.0×10^{-4}	1.7×10^{-10}
$\alpha iS300/3000HV$	2.9×10^{-3}	1.2×10^{-9}	2.8×10^{-4}	1.2×10^{-10}
$\alpha iS500/2000HV$	1.1×10^{-3}	1.0×10^{-9}	1.1×10^{-4}	1.0×10^{-10}

Model	SI unit		Gravitational system of units	
	A	B	A	B
$\alpha iS500/3000HV$	1.6×10^{-3}	7.1×10^{-10}	1.5×10^{-4}	7.0×10^{-11}
$\alpha iS1000/2000HV$ (A06B-0098-B010)	6.6×10^{-4}	1.2×10^{-9}	6.4×10^{-5}	1.1×10^{-10}
$\alpha iS1000/3000HV$	8.8×10^{-4}	7.1×10^{-10}	8.6×10^{-5}	6.9×10^{-11}
$\alpha iS2000/2000HV$	3.3×10^{-4}	1.3×10^{-10}	3.2×10^{-5}	1.3×10^{-11}
$\alpha iS3000/2000HV$	1.7×10^{-4}	7.4×10^{-11}	1.6×10^{-5}	7.3×10^{-12}

 αiF series (200-V system)

Model	SI unit		Gravitational system of units	
	A	B	A	B
$\alpha iF1/5000$ (Note)	5.0×10^{-1}	2.6×10^{-7}	4.9×10^{-2}	2.5×10^{-8}
$\alpha iF2/5000$ (Note)	1.8×10^{-1}	1.6×10^{-7}	1.7×10^{-2}	1.6×10^{-8}
$\alpha iF4/4000$	4.5×10^{-1}	2.8×10^{-8}	4.4×10^{-2}	2.8×10^{-9}
$\alpha iF8/3000$	1.4×10^{-1}	1.7×10^{-8}	1.4×10^{-2}	1.7×10^{-9}
$\alpha iF12/3000$	1.9×10^{-1}	1.7×10^{-8}	1.9×10^{-2}	1.7×10^{-9}
$\alpha iF22/3000$	6.0×10^{-2}	9.9×10^{-9}	5.9×10^{-3}	9.7×10^{-10}
$\alpha iF30/3000$	5.8×10^{-2}	3.9×10^{-9}	5.7×10^{-3}	3.8×10^{-10}
$\alpha iF40/3000$	2.6×10^{-2}	6.0×10^{-9}	2.5×10^{-3}	5.8×10^{-10}
$\alpha iF40/3000$ with fan	2.6×10^{-2}	6.0×10^{-9}	2.5×10^{-3}	5.8×10^{-10}

NOTE

When servo amplifier αiSV 20/40 is used to drive model $\alpha iF1/5000$ or $\alpha iF2/5000$ (L axis), the values of A and B are as follows:

Model	SI unit		Gravitational system of units	
	A	B	A	B
$\alpha iF1/5000$	1.2	1.1×10^{-7}	1.2×10^{-1}	1.0×10^{-8}
$\alpha iF2/5000$	4.9×10^{-1}	5.8×10^{-8}	4.8×10^{-2}	5.7×10^{-9}

 αiF series (400-V system)

Model	SI unit		Gravitational system of units	
	A	B	A	B
$\alpha iF4/4000HV$	3.9×10^{-1}	3.3×10^{-8}	3.8×10^{-2}	3.2×10^{-9}
$\alpha iF8/3000HV$	1.1×10^{-1}	2.2×10^{-8}	1.1×10^{-2}	2.2×10^{-9}
$\alpha iF12/3000HV$	1.5×10^{-1}	2.3×10^{-8}	1.4×10^{-2}	2.2×10^{-9}
$\alpha iF22/3000HV$	4.5×10^{-2}	1.3×10^{-8}	4.4×10^{-3}	1.3×10^{-9}

The values of A and B are calculated by assuming that the resistance of the power line is 0.05 Ω per phase. The values will vary slightly according to the resistance value of the power line.

The coefficient above values are applicable when the αiSV series or βiSV series servo amplifier is being used. The coefficient may change, depending on the type of the servo amplifier. Consult with FANUC to use another amplifier.

4.3 HOW TO FILL IN THE SERVO MOTOR SELECTION DATA TABLE

Select a suitable motor according to load conditions, rapid traverse rate, increment system and other factors. To aid in selecting the correct motor, we recommend filling in the "Servo Motor Selection Data Table" on the following page.

This section describes the items to fill in the Servo Motor Selection Data Table.

4.3.1 Servo Motor Selection Data Table

The Servo Motor Selection Data Table for the SI system of units and that for the gravitational system of units are given on the following pages.

Servo Motor Selection Data Table

SI unit

User name		Kind of machine tool	
CNC equipment		Type of machine tool	
Spindle motor			

Item	Axis				
Specifications of moving object					
* Weight of moving object (including workpiece, etc.)	kg				
* Axis movement direction (horizontal, vertical, rotation, slant)					
* Angle of the slant	deg				
* Counterbalance (forth)	N				
* Table support (sliding, rolling, static pressure)					
* Ball screw	Diameter	mm			
	Pitch	mm			
	Length	mm			
* Rack and pinion	Diameter of pinion	mm			
	Thickness of pinion	mm			
* Friction coefficient					
Machine tool efficiency					
* Total gear ratio					
Mechanical specifications					
Traveling distance of the machine tool per revolution of the motor	mm/rev				
Least input increment of NC	mm				
* Rapid traverse feedrate	mm/min				
Motor speed in rapid traverse	1/min				
* Total load inertia applied to the motor shaft (*1)	kg·m ²				
Inertia of coupling, reduction gear and pulley	kg·m ²				
* Steady-state load torque (*2)	N·m				
* Cutting thrust	N				
Maximum cutting torque	N·m				
Required percentage duty cycle/ON time with the maximum cutting torque	%				
Positioning distance	mm				
Required positioning time (*3)	sec				
In-position set value	mm				
Rapid traverse positioning frequency (continuous, intermittent)	times/min				
Dynamic brake stop distance	mm				
Motor specifications and characteristics					
Motor type					
Pulse/encoder					
Shaft shape					
Brake (Yes/No)					
Feed-forward during rapid traverse (Yes/No)					
Acceleration/deceleration time constant in rapid traverse	T ₁	m-sec			
	T ₂	m-sec			
Position loop gain	1/sec				

CAUTION
 Be sure to fill in units other than the above if used. (Sometimes "deg" is used instead of "mm" for the rotary axis.)
 * Note required values for selecting the motor.
 *1 If possible enter the total load inertia. If you enter the inertia of coupling, reduction gear and pulley (motor shaft conversion) in the next item, you can also calculate the total load inertia by adding the weight of the moving object and ball screw values by logical calculation in the case of a linear shaft.
 *2 Steady-state load torque refers to the steady-state components such as friction (holding torque is included in the case of a gravity shaft) when the motor is rotating at a fixed speed. Enter the state-state load torque as far as possible. If details are unknown, use a value calculated logically from the weight and friction coefficient. Enter the steady-state load torque of the rotary axis in the same way as for load inertia as it cannot be calculated logically. You need not enter the torque required for acceleration/deceleration.
 *3 Servo delay and setting times must also be taken into consideration in the positioning time.

(**) Comments

Servo Motor Selection Data Table

Gravitational system of units

User name		Kind of machine tool	
CNC equipment		Type of machine tool	
Spindle motor			

Item	Axis				
Specifications of moving object					
* Weight of moving object (including workpiece, etc.)	kgf				
* Axis movement direction (horizontal, vertical, rotation, slant)					
* Angle of the slant	deg				
* Counterbalance (forth)	kgf				
* Table support (sliding, rolling, static pressure)					
* Ball screw	Diameter	mm			
	Pitch	mm			
	Length	mm			
* Rack and pinion	Diameter of pinion	mm			
	Thickness of pinion	mm			
* Friction coefficient					
Machine tool efficiency					
* Total gear ratio					
Mechanical specifications					
Traveling distance of the machine tool per revolution of the motor	mm/rev				
Least input increment of NC	mm				
* Rapid traverse feedrate	mm/min				
Motor speed in rapid traverse	1/min				
* Total load inertia applied to the motor shaft (*1)	kgf-cm-s ²				
Inertia of coupling, reduction gear and pulley	kgf-cm-s ²				
* Steady-state load torque (*2)	kgf-cm				
* Cutting thrust	kgf				
Maximum cutting torque	kgf-cm				
Required percentage duty cycle/ON time with the maximum cutting torque	%				
Positioning distance	mm				
Required positioning time (*3)	sec				
In-position set value	mm				
Rapid traverse positioning frequency (continuous, intermittent)	times/min				
Dynamic brake stop distance	mm				
Motor specifications and characteristics					
Motor type					
Pulsecoder					
Shaft shape					
Brake (Yes/No)					
Feed-forward during rapid traverse (Yes/No)					
Acceleration/deceleration time constant in rapid traverse	T ₁	m-sec			
	T ₂	m-sec			
Position loop gain	1/sec				

CAUTION
 Be sure to fill in units other than the above if used. (Sometimes "deg" is used instead of "mm" for the rotary axis.)
 * Note required values for selecting the motor.
 *1 If possible enter the total load inertia. If you enter the inertia of coupling, reduction gear and pulley (motor shaft conversion) in the next item, you can also calculate the total load inertia by adding the weight of the moving object and ball screw values by logical calculation in the case of a linear shaft.
 *2 Steady-state load torque refers to the steady-state components such as friction (holding torque is included in the case of a gravity shaft) when the motor is rotating at a fixed speed. Enter the state-state load torque as far as possible. If details are unknown, use a value calculated logically from the weight and friction coefficient. Enter the steady-state load torque of the rotary axis in the same way as for load inertia as it cannot be calculated logically. You need not enter the torque required for acceleration/deceleration.
 *3 Servo delay and setting times must also be taken into consideration in the positioning time.

(**) Comments

4.3.2 Explanation of Items

4.3.2.1 Title

User name

Fill in this blank with the name of the user.

Kind of machine tool

Fill in this blank with a general name of machine tools, such as lathe, milling machine, machining center, and others.

Type of machine tool

Fill in this blank with the type of machine tool decided by machine tool builder.

CNC equipment

Fill in this blank with the name of CNC (16i-MB, 21i-TB, PMi-D, etc.) employed.

Spindle motor

Enter the specifications and output of the spindle motor. (This item is needed when selecting PS.)

Axis

Fill in this blank with names of axes practically employed in CNC command.

If the number of axes exceeds 4 axes, enter them in the second sheet.

4.3.2.2 Specifications of moving object

Be sure to enter data in this row. Data entered here is needed for determining the approximate motor load conditions (inertia, load torque).

- Mass(weight) of driven parts

Enter the mass(weight) of driven parts, such as table, tool post, etc. by the maximum value including the weight of workpiece, jig, and so on. Do not include the weight of the counter balance in the next item in this item.

- Axis movement direction

Enter horizontal, vertical, slant, or rotation as the movement directions of driven parts such as the table and tool post.

Be sure to enter data because the axis movement direction is required for calculating the steady-state load torque and regenerative energy.

- Angle of the slant

Enter the angle which the movement direction forms with a horizontal surface only when the movement direction slants upward.

Be sure to enter data because the axis movement direction is required for calculating the steady-state load torque and regenerative energy.

- Counter balance

Enter the weight of the counter balance in the vertical axis, if provided.

Enter whether the counter balance is made by a weight or force as this influences inertia.

- Table support

Enter the type of table slide (e.g. rolling, sliding or static pressure).

Enter a special slide way material like Turcite, if used. Also enter the friction coefficient value. This item is significant in estimating the friction coefficient for calculating mainly the load torque.

- **Ball screw**

For a ball screw, enter the diameter, pitch, and length in order.

If a rack and pinion or other mechanism is used, also enter the traveling distance of the machine tool per revolution of the pinion.

- **Rack and pinion**

For a rack and pinion, enter the diameter and thickness of the pinion.

- **Friction coefficient**

Enter the friction coefficient of the table.

- **Machine tool efficiency**

This value is used for calculating the transfer efficiency of motor output on a machine tool. Standard value is 0.9.

Generally, a drop in transfer efficiency is expected if a reduction gear having a large deceleration rate is used.

- **Total gear ratio**

Enter the gear ratio between the ball screw and the servo motor, gear ratio between the final stage pinion and the servo motor in case of the rack pinion drive, or gear ratio between the table and the motor in case of rotary table.

4.3.2.3 Mechanical specifications

Enter basic data that is required for selecting the motor.

For details on how to calculate each of the items, see Section 4.2, "SELECTING A MOTOR."

- **Movement per rotation of motor**

Enter the movement of the machine tool when the motor rotates one turn.

Example

- When the pitch of ball screw is 12 [mm] and the gear ratio is $2/3$,
 $12 \text{ [mm]} \times 2/3 = 8 \text{ [mm]}$
- When the gear ratio is $1/72$ in rotary table ;
 $360 \text{ [deg.]} \times 1/72 = 5 \text{ [deg.]}$

- **Least input increment CNC**

Enter the least input increment of NC command. (The standard value is 0.001 [mm].)

- **Rapid traverse rate**

Enter the rapid traverse rate required for machine tool specifications.

- **Motor speed in rapid traverse**

Enter the motor speed during rapid traverse.

- **Motor shaft converted load inertia**

Enter a load inertia applied by the moving object reflected on the motor shaft.

Do not include the inertia of the motor proper in this value. For details on this calculation, see Subsection 4.2.3, "Calculating the Load Inertia."

In the case of a linear shaft, enter the load inertia calculated by logical calculation if you enter the next item. In the case of a rotary shaft, however, the load inertia cannot be calculated by logical calculation. Enter values to two digits past the decimal point. (e.g. 0.2865 → 0.29)

- Inertia of coupling, reduction gear and pulley

Enter load inertia applied on transfer mechanisms other than couplings, moving objects and ball screw. Enter values to two digits past the decimal point. (e.g. 0.2865 → 0.29)

- Steady-state load torque

Enter the torque obtained by calculating the force applied for moving the machine tool and state-state components such as friction (including holding torque in the case of a gravity shaft) reflected on the motor shaft when it is rotating at a fixed speed. (Do not include any torque required for acceleration/deceleration in this item.) If details are unknown, use a value calculated logically from the weight and friction coefficient. Enter the steady-state load torque of the rotary axis in the same way as for load inertia as it cannot be calculated logically.

If the load torque values differ during lifting and lowering in the vertical axis, enter both values. Also, if the load torque values differ during rapid traverse and cutting feed, enter a notice to that effect.

Since torque produced in low speed without cutting may be applied even when the motor has stopped, a sufficient allowance is necessary as compared with the continued rated torque of the motor. Suppress this load torque so that it is lower than 70% of the rated torque.

- Cutting thrust

Enter the maximum value of the force applied during cutting by the force in the feed axis direction.

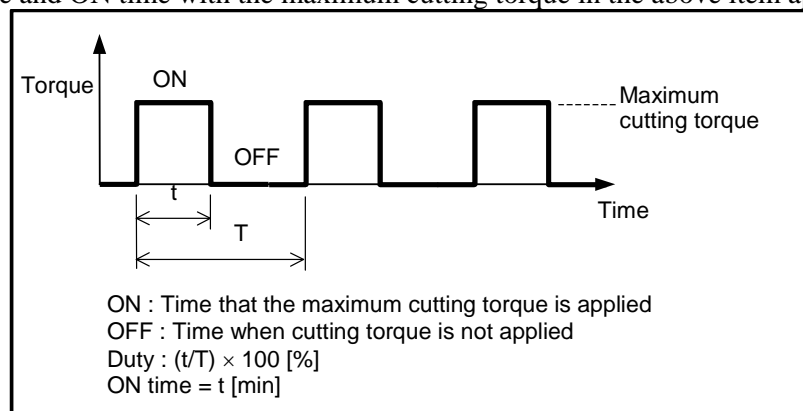
- Maximum cutting torque

Enter the torque value on the motor shaft corresponding to the maximum value of the above cutting thrust. When you enter this value, add the steady-state load to the motor shaft converted value for the cutting thrust.

Since the torque transfer efficiency may substantially deteriorate to a large extent due to the reaction from the slideway, etc. produced by the cutting thrust, obtain an accurate value by taking measured values in similar machine tools and other data into account.

- Maximum cutting duty / ON time

Enter the duty time and ON time with the maximum cutting torque in the above item applied.



- Positioning distance

Enter the distance as a condition required for calculating the rapid traverse positioning frequency.

When an exclusive positioning device is used, enter this value together with the desired positioning time below.

- Required positioning time

Enter the required positioning time when an exclusive positioning device is used.

When the device is actually attached on the machine tool, note that servo delay and setting times must also be taken into consideration in the positioning time.

- **In-position set value**

Enter the in-position set value as a condition required for calculating the above positioning times when an exclusive positioning device is used.

Note that the positioning time changes according to this value.

- **Rapid traverse positioning frequency**

Enter the rapid traverse positioning frequency by the number of times per minute.

Enter whether the value is for continuous positioning over a long period of time or for intermittent positioning within a fixed period of time. (This value is used to check the OVC alarm and whether the motor is overheated or not by a flowing current during acceleration/deceleration, or to check the regenerative capacity of the amplifier.)

4.3.2.4 Motor specifications and characteristics

- **Motor type**

Enter the motor type, if desired.

- **Pulsecoder**

Enter the specifications (absolute or increment, number of pulses: 1,000,000 or 16,000,000) of the feedback sensor (Pulsecoder) built into the motor.

- **Shaft shape**

Enter the shape of the motor shaft.

- **Brake (Yes/No)**

Enter whether or not the motor has a brake.

- **Feed-forward during rapid traverse**

Enter whether or not feed-forward control during rapid traverse is used.

Generally, feed-forward control can reduce the delay time in executing servo commands. However, overheating of the motor is more likely to occur as a higher torque is required for acceleration/deceleration.

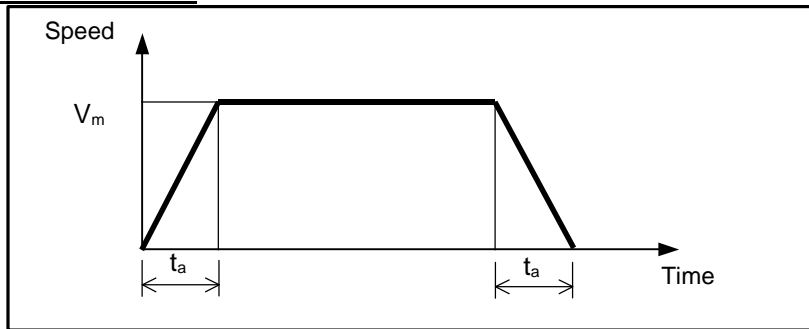
Since mechanical shock increases in linear acceleration/deceleration, the bell-shaped acceleration/deceleration or fine acceleration/ deceleration (FAD) function is generally used together with feed-forward control.

- **Acceleration/deceleration time constant at rapid traverse**

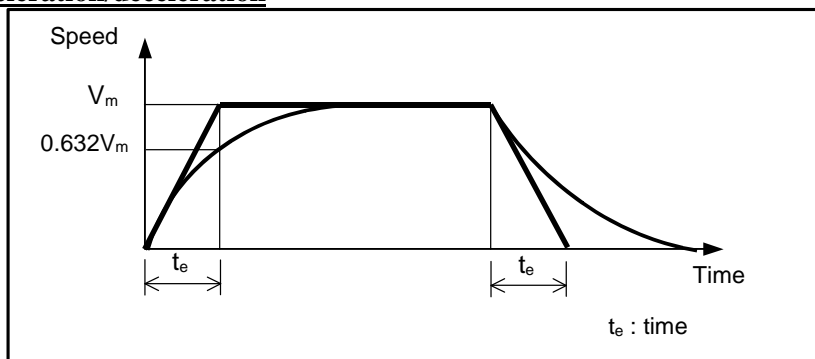
Enter the acceleration/deceleration time constant in rapid traverse.

The acceleration/deceleration time is determined according to the load inertia, load torque, motor output torque, and working speed.

The acceleration/deceleration mode in rapid traverse is linear acceleration/deceleration or feed-forward during rapid traverse + bell-shaped acceleration/deceleration. Enter T_1 only for linear acceleration/deceleration or T_1 and T_2 for feed-forward during rapid traverse + bell-shaped acceleration/deceleration.

Linear acceleration/deceleration

When cutting feed is important, enter the time constant in cutting feed. The acceleration/deceleration mode in cutting feed is linear acceleration/deceleration, exponential acceleration/deceleration, or bell-shaped acceleration/deceleration. Enter t_e only for the time constant in cutting feed.

Exponential acceleration/deceleration**- Position loop gain**

Fill in this blank with a value which is considered to be settable judging it from the inertia value based on experiences.

Since this value is not always applicable due to rigidity, damping constant, and other factors of the machine tool, it is usually determined on the actual machine tool. If the position sensor is mounted outside the motor, this value is affected by the machine tool rigidity, backlash amount, and friction torque value. Enter these values without fail.

- Dynamic brake stop distance

Enter the coasting distance when an abnormality occurs and the machine tool is stopped by dynamic braking with both ends of the motor power line shorted.

4.4 CHARACTERISTIC CURVE AND DATA SHEET

The performance of each motor is described by the characteristic curves and data sheet given below.

4.4.1 Characteristic Curves

The characteristic curves representing the "speed-torque characteristics" and "overload duty characteristic" are given for each motor model.

Speed-torque characteristics

Speed-torque characteristics indicate the relationship between the output torque and speed of the motor.

In the continuous operating zone, the motor winding temperature and pulsecoder temperature are protected from exceeding the following overhear temperatures when the ambient temperature is 20°C, and an ideal sine wave is present.

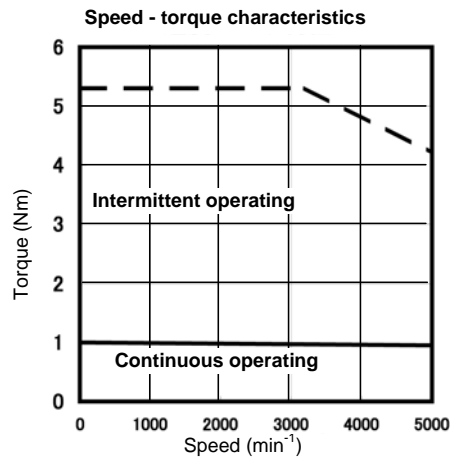
- Motor winding: 140°C
- Pulsecoder: 100°C

In the continuous operating zone, the motor can be used continuously with any combination of a speed and a torque. In the intermittent operating zone outside the continuous operating zone, the motor is used intermittently using a duty cycle curve.

The torque decreases by 0.11% for the αiS series or by 0.19% for the αiF series according to the negative temperature coefficient of magnetic materials every time the ambient temperature increases by 1°C after it exceeds 20°C.

The intermittent operating zone may be limited by the motor input voltage.

The values of the αiS series and αiF series in the data sheets are observed when the input voltage is 200 V or 400 V.

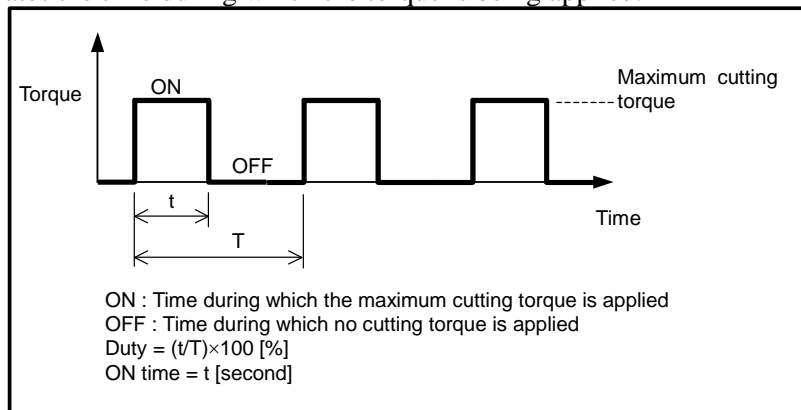


Example of αiF 1/5000

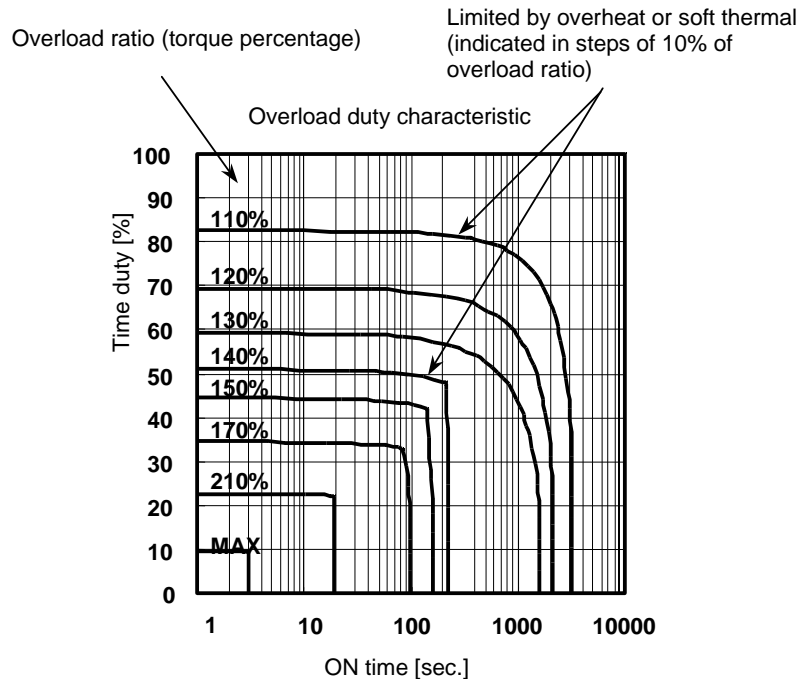
Overload duty characteristic

The percentage duty cycle indicates the ratio of the time during which torque can be applied to the total time of a single cycle.

The ON time indicates the time during which the torque is being applied.



Overload duty characteristics indicate the relationship between the percentage duty cycle (%) and ON time (load time) in which the motor can intermittently be operated with no temperature limit in the range exceeding the continuous rated torque.



The duty calculation procedure is shown below:

- <1> Calculate Torque percent by formula (b) below.
- <2> Motor can be operated at any point on and inside the curve (according to the limits by overheating or overcurrent alarms) corresponding to the given over load conditions obtained form <1>.
- <3> Calculate t_F by formula (a)

$$t_F = t_R \times \left(\frac{100}{\text{Dutypercent}} - 1 \right) \text{ --- (a)}$$

$$TMD = \frac{\text{Load torque}}{\text{Continuous rated torque}} \text{ --- (b)}$$

t_F : "OFF" time

t_R : "ON" time

The values of t_R and t_F obtained form the above mentioned procedure shows the ones limited by motor thermal conditions.

The motor temperature limits for determining overload duty curves are determined according to the motor temperature limit (overheat alarm) and according to the soft thermal function of monitoring the current by servo soft for a rapid increase in temperature (overcurrent alarm).

The overload duty characteristic determined according to the overheat alarm is represented with a curve within a relatively long time range of at least about 100 seconds of the load time. That determined according to the overcurrent alarm is represented with a curve within a relatively short time range of up to about 100 seconds. The final overload duty characteristic is represented with the curve described using either characteristic value, whichever is shorter. For the soft function of monitoring overcurrent, the settings differ depending on the motor. If the motor is in the overload status at a motor speed of about 0, an overcurrent (OVC) alarm may be issued for a time shorter than described. Note that another restriction may be imposed depending on the use condition since driving device (such as an amplifier), Pulsecoder, and other devices contain a thermal protection device.

4.4.2 Data Sheet

The data sheet gives the values of motor parameters relating to the performance.

The values of parameters are those under the following conditions.

- The ambient temperature for the motor is 20°C.
- The error is $\pm 10\%$.
- The drive current of the motor is pure sine wave.

The following parameters are given on the data sheet:

Stall torque : T_s [N·m]

Torque that allows the motor to operate continuously at 0 [min⁻¹].

Stall current : I_s [Arms]

Maximum effective current value that allows the motor to operate continuously at 0 [min⁻¹].

Rated output : P_r [kW]

Maximum speed at which the motor can continuously operate

Rating rotation speed : N_r [min⁻¹]

Maximum speed at which the motor can continuously operate

Maximum rotation speed : N_{max} [min⁻¹]

Maximum speed at which the motor can operate

Maximum torque : T_{max} [min⁻¹]

Maximum motor torque

More specifically, torque with which the motor can intermittently be operated within the current restricted range (from 0 [min⁻¹] to the beginning of dropping of the shoulder)

The maximum torque value is generally the product of the torque constant of each motor and the current limit of the amplifier. This value varies according to fluctuations in the power supply, motor parameters, and limits of the amplifier. For some models, when the maximum current flows through the motor, the maximum torque may be lower than the calculated value (the product of the motor torque constant and the current limit of the amplifier) due to magnetic saturation and other factors.

Motor inertia : J_m [kg·m²] [kgf·cm·sec²]

Motor rotor inertia

The values for the standard specification with no brake and for the specification with a brake are given.

Torque constant : K_t [N·m/Arms] [kgf·cm/Arms]

This is known as torque sensitivity and represents the torque developed per ampere of phase current. This value is a motor-specific constant, and is calculated by the flux distribution and location of coils in the armature, and the dimensions of the motor.

The torque constant decreases by 0.11% for the αiS series or by 0.19% for the αiF series according to the temperature coefficient of the magnet every time the temperature of the magnet increases by 1°C after it exceeds 20°C.

Back EMF (electromotive force) constant: K_v [Vrms·sec] ([Vrms·sec/rad])

This indicates the strength of a permanent magnet and is a motor-specific constant. This is the voltage generated when the rotor is externally and mechanically rotated.

Back EMF is a motor-specific constant, and is also calculated by the flux distribution and location of coils in the armature, and the dimensions of the motor. Expressed in [min⁻¹] units, back EMF has the dimensions of [Vrms/min⁻¹]. The relationship can be given as:

$$[\text{Vrms}\cdot\text{sec}/\text{rad}] = [9.55 \times \text{Vrms}/\text{min}^{-1}] (9.55=60/(2\pi))$$

The back EMF constant is indicated as the RMS voltage per phase, so multiple by $\sqrt{3}$ to obtain the actual terminal voltage.

The relationship between the torque constant (K_t) and back EMF constant (K_v) can also be given as:

Gravitational system of units

$$K_t [\text{kgf}\cdot\text{cm}/\text{Arms}] = 30.6 K_v [\text{Vrms}\cdot\text{sec}/\text{rad}]$$

SI unit

$$K_t [\text{N}\cdot\text{m}/\text{Arms}] = 3 K_v [\text{Vrms}\cdot\text{sec}/\text{rad}]$$

For this reason, when back EMF constant (K_v) drops lower than the demagnetization of the magnet, the torque constant (K_t) also drops by the same ratio.

Example)

For the α iS 2/5000

The torque constant is $K_t = 6.2[\text{kgf}\cdot\text{cm}/\text{Arms}] = 0.61 [\text{N}\cdot\text{m}/\text{Arms}]$, and the back electromotive force is $K_v = 0.20[\text{Vrms}\cdot\text{sec}/\text{rad}]$; therefore, the above equation can be satisfied.

Winding resistance : R [Ω]

Resistance per phase of the motor

Mechanical time constant : t_m [sec]

This is a function of the initial rate of rise in velocity when a step voltage is applied. It is calculated from the following relationship.

$$t_m = \frac{J_m \cdot R_a}{K_t \cdot K_v}$$

J_m : Rotor inertia [$\text{kg}\cdot\text{m}^2$]

R_a : Resistance of the armature [Ω]

Thermal time constant : t_t [min]

This is a function of the initial rate of rise of winding temperature at rated current. It is defined as the time required to attain 63.2 percent of the final temperature rise.

Axis friction torque : T_f [N·m] [kgf·cm]

This is the no-load torque required just to rotate the rotor.

Mass : w [kg]

This is the mass of the motor.

The masses of the motor with brakes and that without brakes are indicated.

Maximum current of applicable servo amplifiers

Applicable servo amplifiers are briefly described.

For more specific servo amplifiers, see Section 2.2, "APPLICABLE AMPLIFIERS."

5 CONDITIONS FOR APPROVAL RELATED TO THE IEC60034 STANDARD

This chapter describes the conditions the following FANUC AC servo motor αi series must clear before they can be approved for the IEC60034 standard. For details on EMC compliance authorization, refer to the separate manual "Compliance with EMC Directives."

Chapter 5, "CONDITIONS FOR APPROVAL RELATED TO THE IEC60034 STANDARD", consists of the following sections:

5.1 TYPES OF MOTORS TO BE APPROVED59
 5.2 APPROVED SPECIFICATIONS61
 5.3 CONNECTORS REQUIRED FOR APPROVAL63

5.1 TYPES OF MOTORS TO BE APPROVED

The following FANUC AC Servo Motor αi series can comply with the IEC60034 standard if you follow the descriptions in this chapter.

The TUV mark is printed on the nameplates of the following motors.

The FANUC AC Servo Motor αi series has two types of motors: one type is driven by FANUC servo amplifiers (for 200 to 240 VAC) and the other type is driven by FANUC servo amplifiers (400 to 480 VAC).

αiS series (200V)

Model name	Motor specification number
αiS 2/5000	A06B-0212-Bxxx
αiS 2/6000	A06B-0218-Bxxx
αiS 4/5000	A06B-0215-Bxxx
αiS 4/6000	A06B-0210-Bxxx
αiS 8/4000	A06B-0235-Bxxx
αiS 8/6000	A06B-0232-Bxxx
αiS 12/4000	A06B-0238-Bxxx
αiS 12/6000	A06B-0230-Bxxx
αiS 22/4000	A06B-0265-Bxxx
αiS 22/6000	A06B-0262-Bxxx
αiS 30/4000	A06B-0268-Bxxx
αiS 40/4000	A06B-0272-Bxxx
αiS 50/2000	A06B-0042-Bxxx
αiS 60/2000	A06B-0044-Bxxx
αiS 50/3000 with fan	A06B-0275-Bxxx
αiS 60/3000 with fan	A06B-0278-Bxxx
αiS 100/2500 αiS 100/2500 with fan	A06B-0285-Bxxx
αiS 200/2500 αiS 200/2500 with fan	A06B-0288-Bxxx
αiS 300/2000	A06B-0292-Bxxx
αiS 500/2000	A06B-0295-Bxxx

αiS series (400V)

Model name	Motor specification number
<i>αiS</i> 2/5000HV	A06B-0213-Bxxx
<i>αiS</i> 2/6000HV	A06B-0219-Bxxx
<i>αiS</i> 4/5000HV	A06B-0216-Bxxx
<i>αiS</i> 4/6000HV	A06B-0214-Bxxx
<i>αiS</i> 8/4000HV	A06B-0236-Bxxx
<i>αiS</i> 8/6000HV	A06B-0233-Bxxx
<i>αiS</i> 12/4000HV	A06B-0239-Bxxx
<i>αiS</i> 12/6000HV	A06B-0237-Bxxx
<i>αiS</i> 22/4000HV	A06B-0266-Bxxx
<i>αiS</i> 22/6000HV	A06B-0263-Bxxx
Model name	Motor specification number
<i>αiS</i> 30/4000HV	A06B-0269-Bxxx
<i>αiS</i> 40/4000HV	A06B-0273-Bxxx
<i>αiS</i> 50/2000HV	A06B-0043-Bxxx
<i>αiS</i> 60/2000HV	A06B-0045-Bxxx
<i>αiS</i> 50/3000HV with fan	A06B-0276-Bxxx
<i>αiS</i> 60/3000HV with fan	A06B-0279-Bxxx
<i>αiS</i> 100/2500HV <i>αiS</i> 100/2500HV with fan	A06B-0286-Bxxx
<i>αiS</i> 200/2500HV <i>αiS</i> 200/2500HV with fan	A06B-0289-Bxxx
<i>αiS</i> 300/2000HV	A06B-0293-Bxxx
<i>αiS</i> 300/3000HV	A06B-0290-Bxxx
<i>αiS</i> 500/2000HV	A06B-0296-Bxxx
<i>αiS</i> 500/3000HV	A06B-0297-Bxxx
<i>αiS</i> 1000/2000HV	A06B-0098-Bxxx
<i>αiS</i> 1000/3000HV	A06B-0099-Bxxx
<i>αiS</i> 2000/2000HV	A06B-0091-Bxxx

αiF series (200V)

Model name	Motor specification number
<i>αiF</i> 1/5000	A06B-0202-Bxxx
<i>αiF</i> 2/5000	A06B-0205-Bxxx
<i>αiF</i> 4/4000	A06B-0223-Bxxx
<i>αiF</i> 8/3000	A06B-0227-Bxxx
<i>αiF</i> 12/3000	A06B-0243-Bxxx
<i>αiF</i> 22/3000	A06B-0247-Bxxx
<i>αiF</i> 30/3000	A06B-0253-Bxxx
<i>αiF</i> 40/3000, <i>αiF</i> 40/3000 with fan	A06B-0257-Bxxx

αiF series (400V)

Model name	Motor specification number
<i>αiF</i> 4/4000HV	A06B-0225-Bxxx
<i>αiF</i> 8/3000HV	A06B-0229-Bxxx
<i>αiF</i> 12/3000HV	A06B-0245-Bxxx

Model name	Motor specification number
<i>αiF 22/3000HV</i>	A06B-0249-Bxxx

5.2 APPROVED SPECIFICATIONS

The following specifications are approved for the IEC60034 standard.

5.2.1 Motor Speed (IEC60034-1)

The "rated-output speed" and "allowable maximum speed" are given on the data sheet in Chapter 6, "SPECIFICATIONS."

The rated-output speed is the speed which specifies the rated output.

The allowable maximum speeds are specified in such a way that the approval conditions of the IEC60034-1 standard, as they relate to rotational speed, are satisfied.

When the allowable maximum speeds are used, the characteristics are not guaranteed.

5.2.2 Output (IEC60034-1)

The "rated output" available with a motor is given on the data sheet in Chapter 6, "SPECIFICATIONS."The rated output is guaranteed as continuous output for the rated-output speed under Insulation Class F.

The output in an intermittent operation range is not specified.

5.2.3 Protection Type (IEC60034-5)

Motor protection confirms to IP65. (The Pulsecoder connector is waterproof when engaged.)

Motor protection of Models with fan confirms to IP65 except the fan motor and the fan connectors(*αiS 2000/2000HV* confirms to IP44 except the fan connectors. The connectors of pulsecoders are water-proof when engaged.)

IP4x: Machine protected from introduction of solid foreign matter over 1.0 mm
Electric cables and wires with a diameter or thickness greater than 1.0 mm do not enter.

IP6x: Completely dust-proof machine
This structure completely prevents dust from entering the machine.

IPx4: Machine protected form water spray
Water sprayed on the motor from any direction will have no harmful effect.

IPx5: Sprinkle-proof machines
A sprinkle-proof machine shall not suffer inadvertent influence when they are exposed to water sprinkled from nozzles at any angle to the machine.

The conditions of the IPx5 type test are as follows:

Nozzle inside diameter	6.3 [mm]
Amount of sprinkled water.....	0.0125 [m ³ /min]
Water pressure at the nozzle	30 [kPa]
Test time for a 1-m ² surface area of the machine to be tested.....	1 [min]
Minimum test time	3 [min]
Distance between the nozzle and machine	Approximately 3 [m]

⚠ CAUTION
 IPx5 evaluates machines for waterproofness in a short-term test as described above, allowing chances that the machines may get dry after the test. If a machine is exposed to liquids other than water or so continuously to water that it cannot get dry, it may suffer inadvertent influence even if the degree of exposure is low.

5.2.4 Cooling Method (IEC60034-6)

The motor cooling methods are as listed below.

Motor model	IC code	Method
αiS 50/3000 with fan, αiS 60/3000 with fan, αiS 100/2500 with fan, αiS 200/2500 with fan, αiS 300/2000, αiS 500/2000, αiS 50/3000HV with fan, αiS 60/3000HV with fan, αiS 100/2500HV with fan, αiS 200/2500HV with fan, αiS 300/2000HV, αiS 300/3000HV, αiS 500/2000HV, αiS 500/3000HV, αiS 1000/2000HV, αiS 1000/3000HV, αiS 2000/2000HV, αiF 40/3000 with fan,	IC416	Fully closed; Air-cooled by a external independence fan
Models except for the above	IC410	Fully closed; cooled by a natural air flow

5.2.5 Mounting Method (IEC60034-7)

αiS 2 to αiS 500, αiS 2HV to αiS 500HV, αiF 1 to αiF 40, and αiF 4HV to αiF 22HV can be mounted using the following method:

- IMB5: Flange mounting with the shaft facing sideways(from the rear)
- IMV1: Flange mounting with the shaft facing upward(from the rear)
- IMV3: Flange mounting with the shaft facing downward(from the rear)

αiS 1000/2000HV and αiS 1000/3000HV can be mounted as follows. Consult with FANUC for any other mounting method.

- IMB3: Feet bottom mounting with the shaft facing sideways(from the rear)
- IMB6: Left feet side mounting with the shaft facing sideways(from the rear)
- IMB7: Right feet side mounting with the shaft facing sideways(from the rear)
- IMV5: Foot mounting with the shaft facing downward(from the rear)
- IMV6: Foot mounting with the shaft facing upward(from the rear)

αiS 2000/2000HV can be mounted as follows. Consult with FANUC for any other mounting method.

- IMB3: Feet bottom mounting with the shaft facing sideways(from the rear)

5.2.6 Grounding (IEC60204-1)

For each servo motor, continuity between the ground terminal and housing of the power connector has been checked based on the IEC60204-1 safety standard and it has been ensured that it satisfies the standard.

The ground wire to be connected to the motor must have a diameter not smaller than the diameter of each phase wire.

5.2.7 Remarks

For details on EMC compliance authorization, refer to the separate manual "Compliance with EMC Directives"

Mechanical and electrical safety of each motor should be evaluated after the motor is mounted on the machine.

5.3 CONNECTORS REQUIRED FOR APPROVAL

Power connector and fan connector

The power and cooling fan must be connected to the motor with a TUV-approved connector and a cable clamp. For details, see Section 3.2, "CONNECTING A SERVO MOTOR".

- The TUV-approved plug connectors and cable clamps in Chapter 11, "CONNECTORS ON THE CABLE SIDE", are approved by TUV that they conform to the safety standard VDE0627 when combined with the FANUC AC Servo Motor αi series. As indicated in the table below, several manufacturers offer other plug connectors. For information about whether the plug connectors satisfy the safety standard when combined with the FANUC AC servo motor αi series, contact the corresponding manufacturer. Contact the manufacturers if you require details of their products.

Manufacturer	Product series name
Tyco Electronics AMP	Dynamic Series
Hirose Electric (HRS)	H/MS310 TUV-conforming series
Japan Aviation Electronics Industry (JAE)	JL04V series
DDK Ltd. (DDK)	CE05 series

- If a cable or conduit hose seal adapter is used, consult an appropriate connector maker.

6 SPECIFICATIONS

The specifications and characteristics of each motor of the FANUC AC Servo Motor αi series are described separately with characteristic curves and a data sheet.

For information about the characteristic curves and data sheet, see Section 4.4, "CHARACTERISTIC CURVE AND DATA SHEET".

Chapter 6, "SPECIFICATIONS", consists of the following sections:

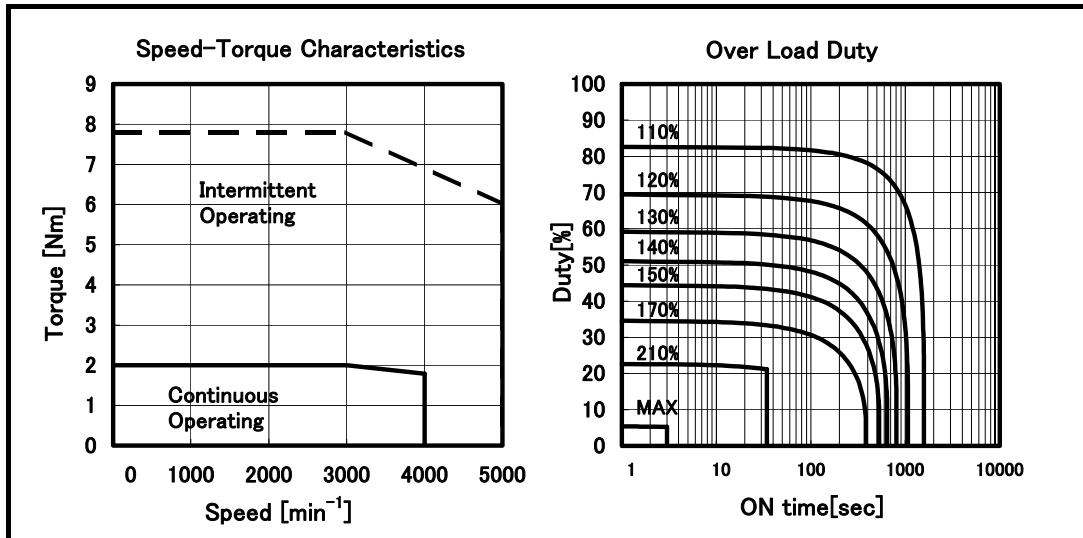
6.1	αi S series (200V)	66
	αi S 2/5000	66
	αi S 2/6000	67
	αi S 4/5000	68
	αi S 4/6000	69
	αi S 8/4000	70
	αi S 8/6000	71
	αi S 12/4000	72
	αi S 12/6000	73
	αi S 22/4000	74
	αi S 22/6000	75
	αi S 30/4000	76
	αi S 40/4000	77
	αi S 50/2000	78
	αi S 60/2000	79
	αi S 50/3000 with Fan	80
	αi S 60/3000 with Fan	81
	αi S 100/2500	82
	αi S 100/2500 with Fan	83
	αi S 200/2500	84
	αi S 200/2500 with Fan	85
	αi S 300/2000	86
	αi S 500/2000	87
6.2	αi S series (400V)	88
	αi S 2/5000HV	88
	αi S 2/6000HV	89
	αi S 4/5000HV	90
	αi S 4/6000HV	91
	αi S 8/4000HV	92
	αi S 8/6000HV	93
	αi S 12/4000HV	94
	αi S 12/6000HV	95
	αi S 22/4000HV	96
	αi S 22/6000HV	97
	αi S 30/4000HV	98
	αi S 40/4000HV	99
	αi S 50/2000HV	100
	αi S 60/2000HV	101
	αi S 50/3000HV with Fan	102

	α iS 60/3000HV with Fan	103
	α iS 100/2500HV	104
	α iS 100/2500HV with Fan	105
	α iS 200/2500HV	106
	α iS 200/2500HV with Fan	107
	α iS 300/2000HV	108
	α iS 300/3000HV	109
	α iS 500/2000HV	110
	α iS 500/3000HV	111
	α iS 1000/2000HV	112
	α iS 1000/3000HV	113
	α iS 2000/2000HV	114
	α iS 3000/2000HV	115
6.3	α iF series (200V)	116
	α iF 1/5000	116
	α iF 2/5000	117
	α iF 4/4000	118
	α iF 8/3000	119
	α iF 12/3000	120
	α iF 22/3000	121
	α iF 30/3000	122
	α iF 40/3000	123
	α iF 40/3000 with Fan	124
6.4	α iF series (400V)	125
	α iF 4/4000HV	125
	α iF 8/3000HV	126
	α iF 12/3000HV	127
	α iF 22/3000HV	128

6.1 $\alpha i S$ series (200V)

Model $\alpha i S$ 2/5000

Specification A06B-0212-B□□□



Data sheet

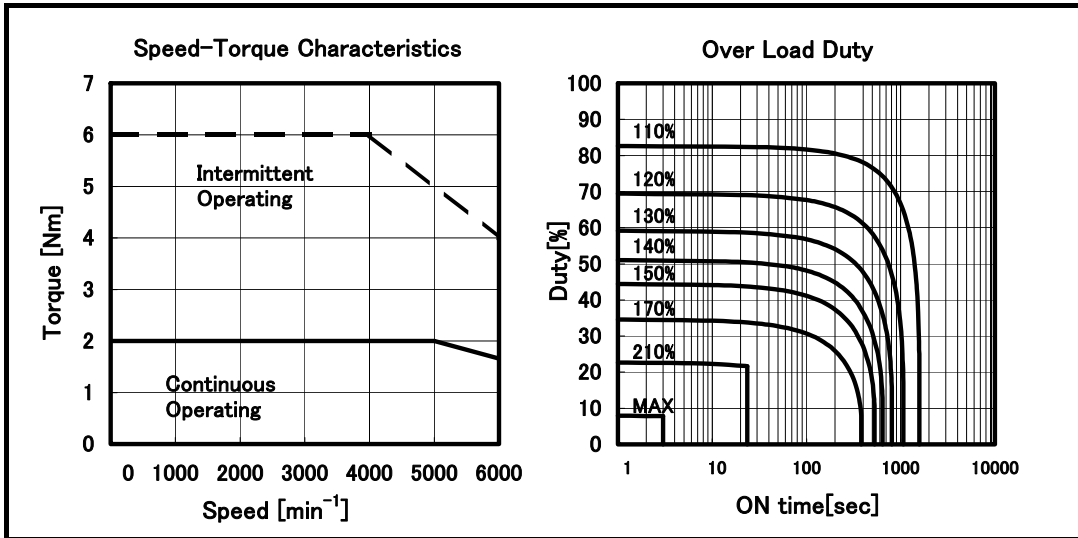
Parameter	Symbol	Value	Unit
Stall Torque (*)	Ts	2.0	Nm
		20	kgfcm
Stall Current (*)	Is	3.3	A (rms)
Rated Output (*)	Pr	0.75	kW
		1.0	HP
Rating Speed	Nr	4000	min^{-1}
Maximum Speed	Nmax	5000	min^{-1}
Maximum Torque (*)	Tmax	7.8	Nm
		80	kgfcm
Rotor Inertia	Jm	0.000291	kgm^2
		0.00297	kgfcm 2
Rotor Inertia (with Brake)	Jm	0.000311	kgm^2
		0.00317	kgfcm 2
Torque constant (*)	Kt	0.61	Nm/A (rms)
		6.2	kgfcm/A (rms)
Back EMF constant (1 phase) (*)	Ke	21	V (rms)/1000 min^{-1}
		Kv	0.20
Armature Resistance (1 phase) (*)	Ra	1.4	Ω
Mechanical time constant	tm	0.003	s
Thermal time constant	tt	15	min
Static friction	Tf	0.1	Nm
		1	kgfcm
Weight	w	2.8	kg
Weight (with Brake)	w	3.8	kg
Max. Current of Servo Amp.	Imax	20	A (peak)

(*) The values are the standard values at 20°C and the tolerance is $\pm 10\%$.

The speed-torque characteristics vary depending on the type of software, parameter setting, and input voltage of the digital servo software. (The above figures show average values.)

Model αi S 2/6000

Specification A06B-0218-B□□□



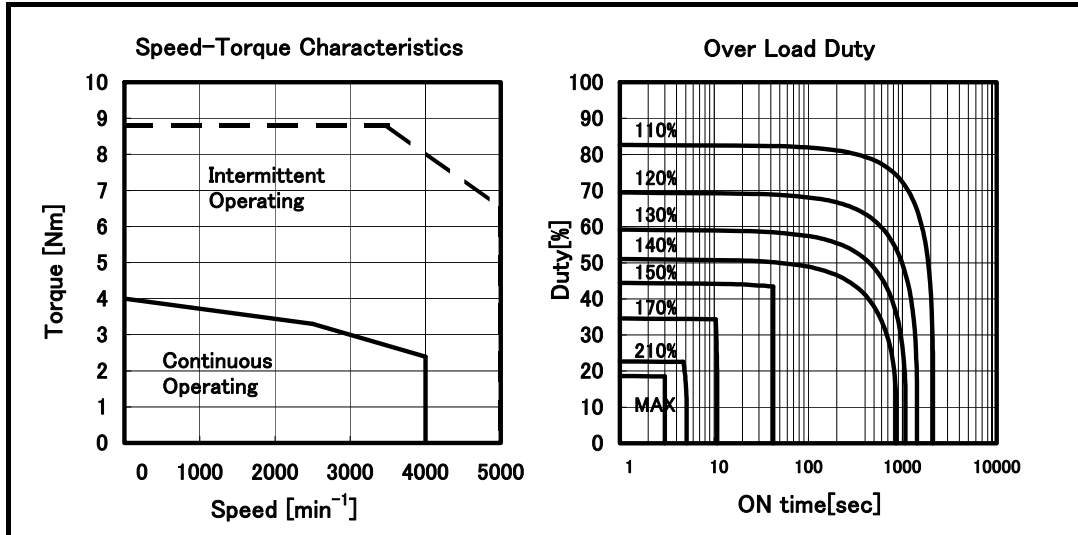
Data sheet

Parameter	Symbol	Value	Unit
Stall Torque (*)	Ts	2.0	Nm
		20	kgfcm
Stall Current (*)	Is	4.0	A (rms)
Rated Output (*)	Pr	1.0	kW
		1.3	HP
Rating Speed	Nr	6000	min^{-1}
Maximum Speed	Nmax	6000	min^{-1}
Maximum Torque (*)	Tmax	6	Nm
		61	kgfcm
Rotor Inertia	Jm	0.000291	kgm^2
		0.00297	kgfcm 2
Rotor Inertia (with Brake)	Jm	0.000311	kgm^2
		0.00317	kgfcm 2
Torque constant (*)	Kt	0.50	Nm/A (rms)
		5.1	kgfcm/A (rms)
Back EMF constant (1 phase) (*)	Ke	17	V (rms)/1000 min^{-1}
		Kv	0.17
Armature Resistance (1 phase) (*)	Ra	1.4	Ω
Mechanical time constant	tm	0.005	s
Thermal time constant	tt	15	min
Static friction	Tf	0.1	Nm
		1	kgfcm
Weight	w	3.0	kg
Weight (with Brake)	w	4.0	kg
Max. Current of Servo Amp.	Imax	20	A (peak)

(*) The values are the standard values at 20°C and the tolerance is $\pm 10\%$.
 The speed-torque characteristics vary depending on the type of software, parameter setting, and input voltage of the digital servo software. (The above figures show average values.)

Model αi S 4/5000

Specification A06B-0215-B□□□



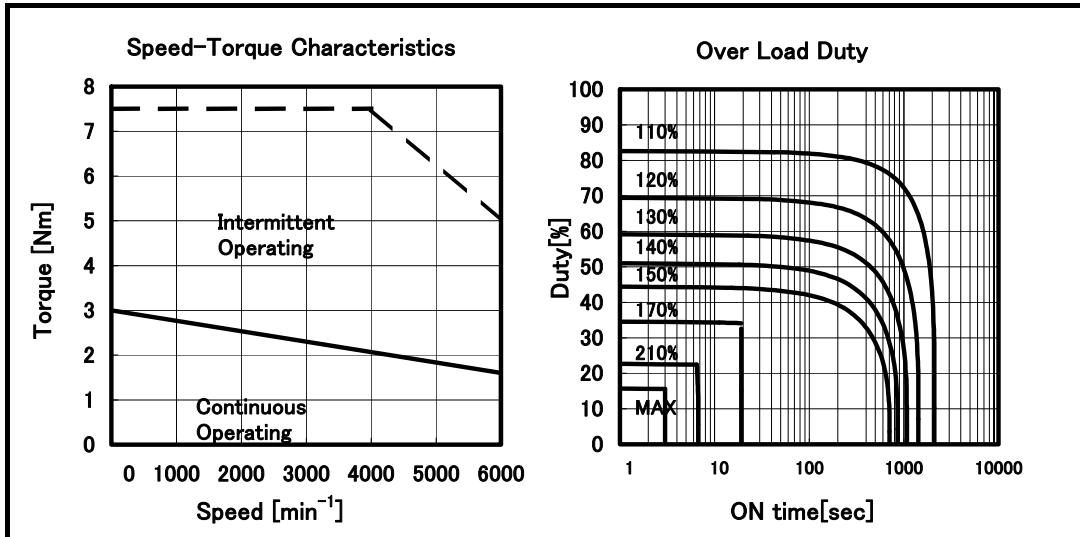
Data sheet

Parameter	Symbol	Value		Unit
Stall Torque (*)	Ts	4.0		Nm
		41		kgfcm
Stall Current (*)	Is	6.1		A (rms)
Rated Output (*)	Pr	1.0		kW
		1.3		HP
Rating Speed	Nr	4000		min^{-1}
Maximum Speed	Nmax	5000		min^{-1}
Maximum Torque (*)	Tmax	8.8		Nm
		90		kgfcm
Rotor Inertia	Jm	0.000515		kgm^2
		0.00526		kgfcm ²
Rotor Inertia (with Brake)	Jm	0.000535		kgm^2
		0.00546		kgfcm ²
Torque constant (*)	Kt	0.66		Nm/A (rms)
		6.7		kgfcm/A (rms)
Back EMF constant (1 phase) (*)	Ke	23		V (rms)/1000 min^{-1}
		0.22		V (rms)sec/rad
Armature Resistance (1 phase) (*)	Ra	0.61		Ω
Mechanical time constant	tm	0.002		s
Thermal time constant	tt	20		min
Static friction	Tf	0.2		Nm
		2		kgfcm
Weight	w	4.3		kg
Weight (with Brake)	w	5.3		kg
Max. Current of Servo Amp.	Imax	20		A (peak)

(*) The values are the standard values at 20°C and the tolerance is $\pm 10\%$.
 The speed-torque characteristics vary depending on the type of software, parameter setting, and input voltage of the digital servo software. (The above figures show average values.)

Model αi S 4/6000

Specification A06B-0210-B□□□



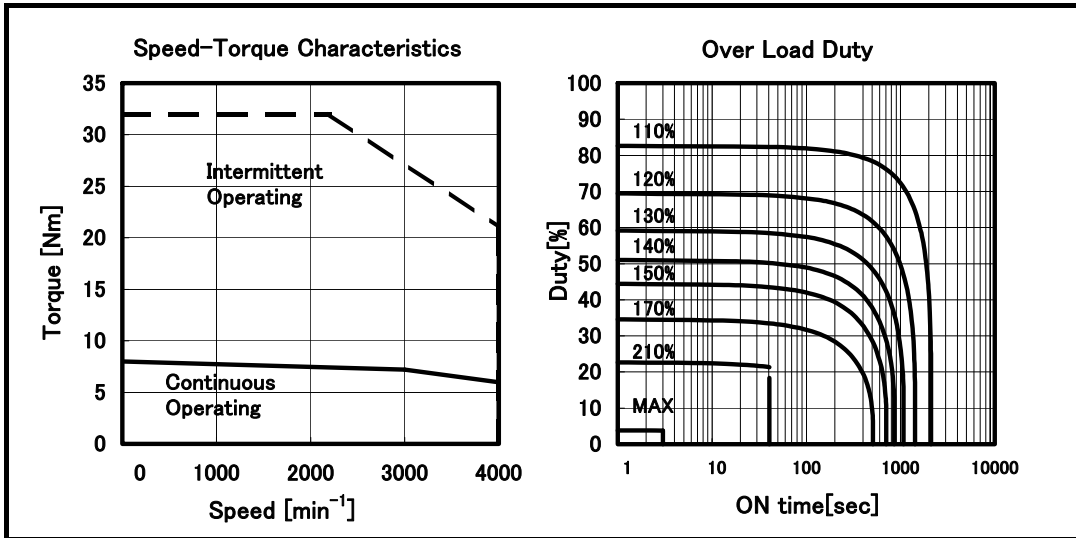
Data sheet

Parameter	Symbol	Value		Unit
Stall Torque (*)	Ts	3.0		Nm
		31		kgfcm
Stall Current (*)	Is	5.6		A (rms)
Rated Output (*)	Pr	1.0		kW
		1.3		HP
Rating Speed	Nr	6000		min^{-1}
Maximum Speed	Nmax	6000		min^{-1}
Maximum Torque (*)	Tmax	7.5		Nm
		77		kgfcm
Rotor Inertia	Jm	0.000515		kgm^2
		0.00526		kgfcm ²
Rotor Inertia(with Brake)	Jm	0.000535		kgm^2
		0.00546		kgfcm ²
Torque constant (*)	Kt	0.54		Nm/A (rms)
		5.5		kgfcm/A (rms)
Back EMF constant (1 phase) (*)	Ke	19		V (rms)/1000 min^{-1}
		0.18		V (rms)sec/rad
Armature Resistance (1 phase) (*)	Ra	0.61		Ω
Mechanical time constant	tm	0.003		s
Thermal time constant	tt	20		min
Static friction	Tf	0.2		Nm
		2		kgfcm
Weight	w	4.5		kg
Weight(with Brake)	w	5.5		kg
Max. Current of Servo Amp.	Imax	20		A (peak)

(*) The values are the standard values at 20°C and the tolerance is $\pm 10\%$.
 The speed-torque characteristics vary depending on the type of software, parameter setting, and input voltage of the digital servo software. (The above figures show average values.)

Model αi S 8/4000

Specification A06B-0235-B□□□



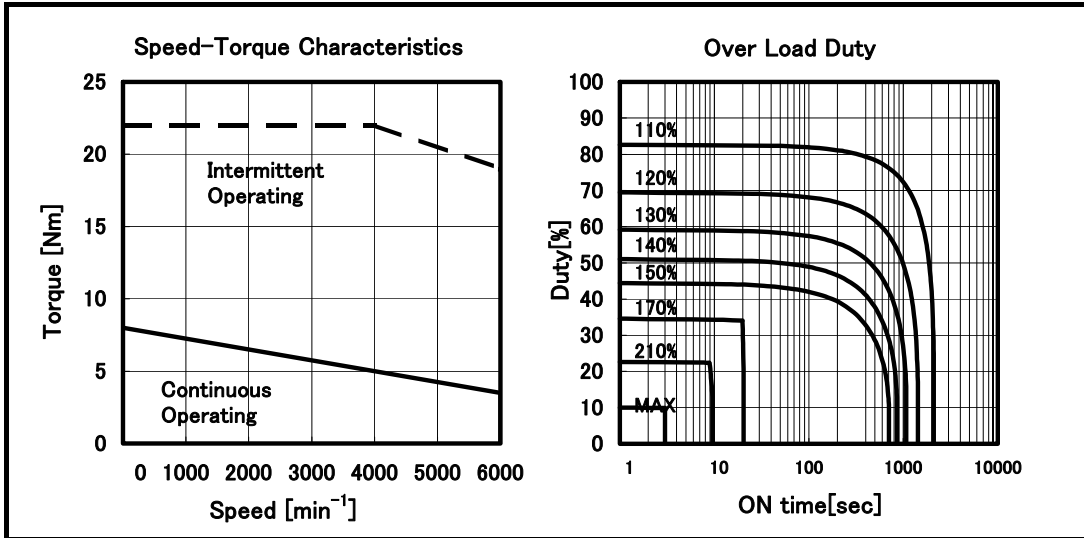
Data sheet

Parameter	Symbol	Value	Unit
Stall Torque (*)	Ts	8.0	Nm
		82	kgfcm
Stall Current (*)	Is	11.1	A (rms)
Rated Output (*)	Pr	2.5	kW
		3.3	HP
Rating Speed	Nr	4000	min^{-1}
Maximum Speed	Nmax	4000	min^{-1}
Maximum Torque (*)	Tmax	32	Nm
		327	kgfcm
Rotor Inertia	Jm	0.00117	kgm^2
		0.0119	kgfcm s^2
Rotor Inertia (with Brake)	Jm	0.00124	kgm^2
		0.0127	kgfcm s^2
Torque constant (*)	Kt	0.72	Nm/A (rms)
		7.3	kgfcm/A (rms)
Back EMF constant (1 phase) (*)	Ke	25	V (rms)/1000 min^{-1}
		Kv	0.24
Armature Resistance (1 phase) (*)	Ra	0.31	Ω
Mechanical time constant	tm	0.002	s
Thermal time constant	tt	20	min
Static friction	Tf	0.3	Nm
		3	kgfcm
Weight	w	7.4	kg
Weight (with Brake)	w	9.6	kg
Max. Current of Servo Amp.	Imax	80	A (peak)

(*) The values are the standard values at 20°C and the tolerance is $\pm 10\%$.
 The speed-torque characteristics vary depending on the type of software, parameter setting, and input voltage of the digital servo software. (The above figures show average values.)

Model αi S 8/6000

Specification A06B-0232-B□□□



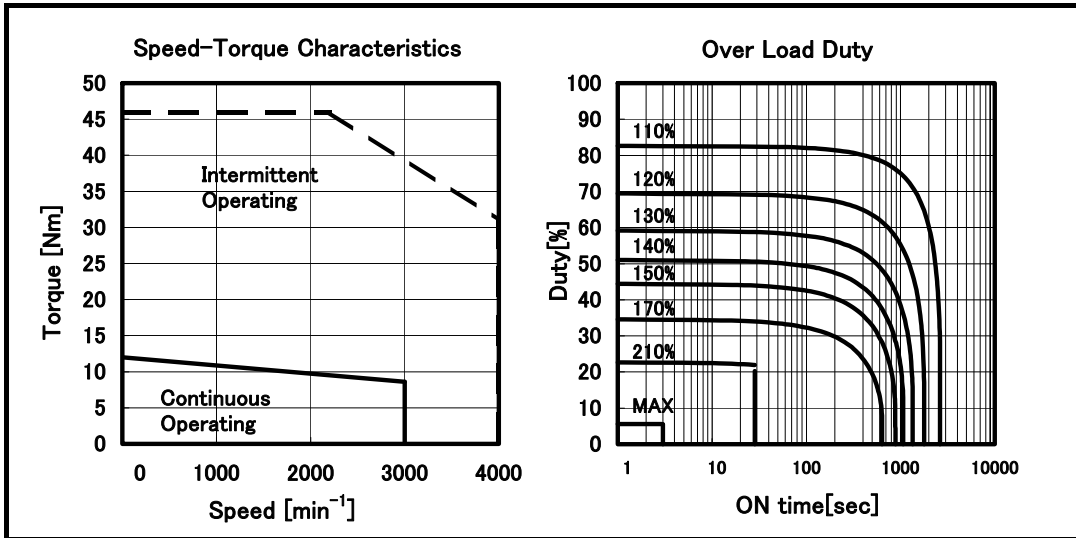
Data sheet

Parameter	Symbol	Value	Unit
Stall Torque (*)	Ts	8.0	Nm
		82	kgfcm
Stall Current (*)	Is	17.9	A (rms)
Rated Output (*)	Pr	2.2	kW
		3.0	HP
Rating Speed	Nr	6000	min^{-1}
Maximum Speed	Nmax	6000	min^{-1}
Maximum Torque (*)	Tmax	22	Nm
		224	kgfcm
Rotor Inertia	Jm	0.00117	kgm^2
		0.0119	kgfcm s^2
Rotor Inertia (with Brake)	Jm	0.00124	kgm^2
		0.0127	kgfcm s^2
Torque constant (*)	Kt	0.45	Nm/A (rms)
		4.6	kgfcm/A (rms)
Back EMF constant (1 phase) (*)	Ke	16	V (rms)/1000 min^{-1}
		Kv	0.15
Armature Resistance (1 phase) (*)	Ra	0.13	Ω
Mechanical time constant	tm	0.002	s
Thermal time constant	tt	20	min
Static friction	Tf	0.3	Nm
		3	kgfcm
Weight	w	8.0	kg
Weight (with Brake)	w	10.0	kg
Max. Current of Servo Amp.	Imax	80	A (peak)

(*) The values are the standard values at 20°C and the tolerance is $\pm 10\%$.
 The speed-torque characteristics vary depending on the type of software, parameter setting, and input voltage of the digital servo software. (The above figures show average values.)

Model αi S 12/4000

Specification A06B-0238-B□□□



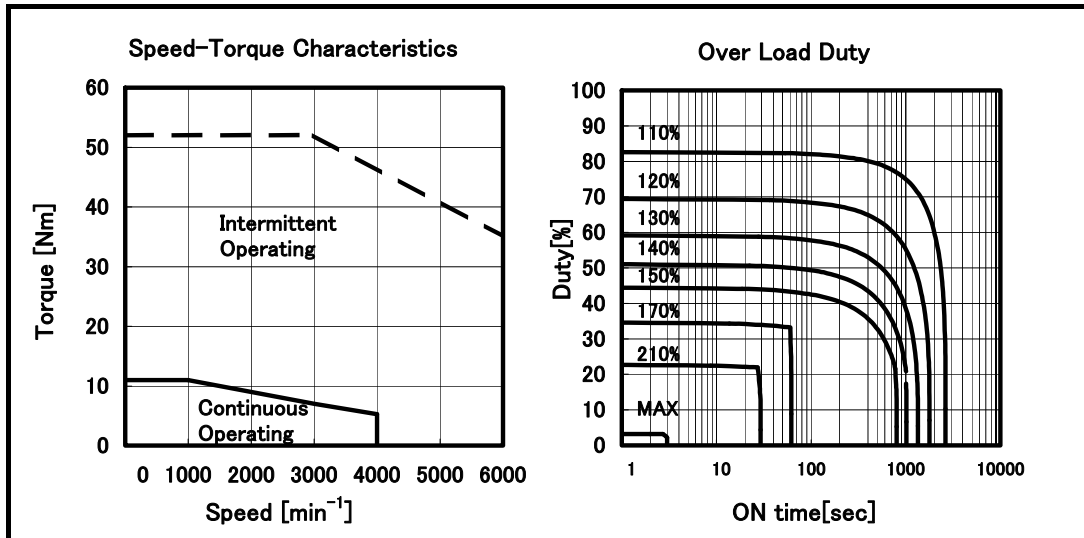
Data sheet

Parameter	Symbol	Value	Unit
Stall Torque (*)	Ts	12	Nm
		122	kgfcm
Stall Current (*)	Is	13.4	A (rms)
Rated Output (*)	Pr	2.7	kW
		3.6	HP
Rating Speed	Nr	3000	min^{-1}
Maximum Speed	Nmax	4000	min^{-1}
Maximum Torque (*)	Tmax	46	Nm
		469	kgfcm
Rotor Inertia	Jm	0.00228	kgm^2
		0.0233	kgfcm s^2
Rotor Inertia (with Brake)	Jm	0.00235	kgm^2
		0.0240	kgfcm s^2
Torque constant (*)	Kt	0.90	Nm/A (rms)
		9.2	kgfcm/A (rms)
Back EMF constant (1 phase) (*)	Ke	31	V (rms)/1000 min^{-1}
		0.30	V (rms)sec/rad
Armature Resistance (1 phase) (*)	Ra	0.18	Ω
Mechanical time constant	tm	0.002	s
Thermal time constant	tt	25	min
Static friction	Tf	0.3	Nm
		3	kgfcm
Weight	w	11.9	kg
Weight (with Brake)	w	14.1	kg
Max. Current of Servo Amp.	Imax	80	A (peak)

(*) The values are the standard values at 20°C and the tolerance is $\pm 10\%$.
 The speed-torque characteristics vary depending on the type of software, parameter setting, and input voltage of the digital servo software. (The above figures show average values.)

Model αi S 12/6000

Specification A06B-0230-B□0□



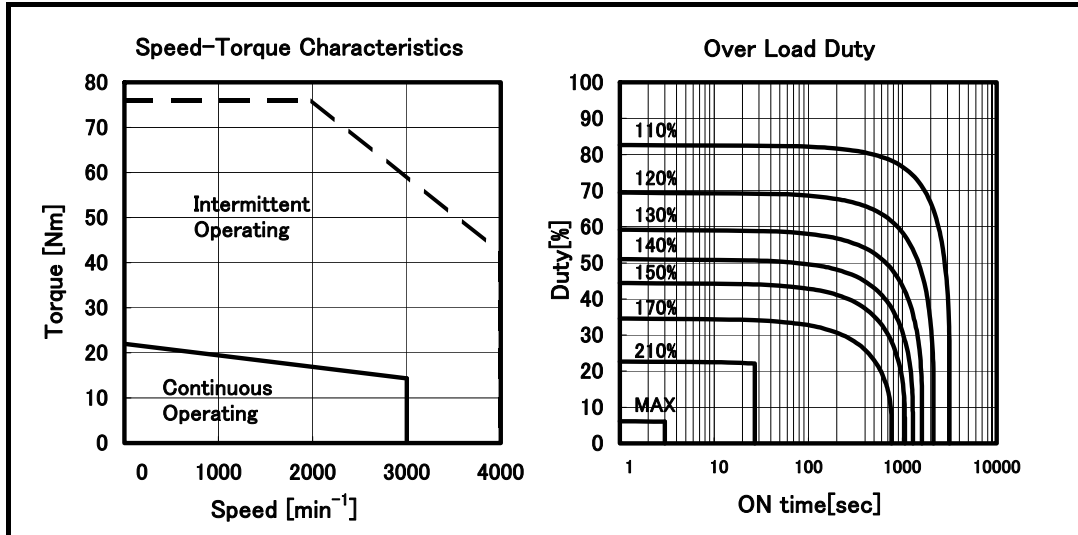
Data sheet

Parameter	Symbol	Value	Unit
Stall Torque (*)	Ts	11	Nm
		112	kgfcm
Stall Current (*)	Is	20.4	A (rms)
Rated Output (*)	Pr	2.2	kW
		3.0	HP
Rating Speed	Nr	4000	min^{-1}
Maximum Speed	Nmax	6000	min^{-1}
Maximum Torque (*)	Tmax	52	Nm
		531	kgfcm
Rotor Inertia	Jm	0.00228	kgm^2
		0.0233	kgfcm 2
Rotor Inertia	Jm	0.00235	kgm^2
		0.0240	kgfcm 2
Torque constant (*)	Kt	0.54	Nm/A (rms)
		5.5	kgfcm/A (rms)
Back EMF constant (1 phase) (*)	Ke Kv	19	V (rms)/1000 min^{-1}
		0.18	V (rms)sec/rad
Armature Resistance (1 phase) (*)	Ra	0.065	Ω
Mechanical time constant	tm	0.002	s
Thermal time constant	tt	25	min
Static friction	Tf	0.3	Nm
		3	kgfcm
Weight	w	11.9	kg
Weight	w	14.1	kg
Max. Current of Servo Amp.	Imax	160	A (peak)

(*) The values are the standard values at 20°C and the tolerance is $\pm 10\%$.
 The speed-torque characteristics vary depending on the type of software, parameter setting, and input voltage of the digital servo software. (The above figures show average values.)

Model αi S 22/4000

Specification A06B-0265-B□□□



Data sheet

Parameter	Symbol	Value	Unit
Stall Torque (*)	Ts	22	Nm
		224	kgfcm
Stall Current (*)	Is	27.9	A (rms)
Rated Output (*)	Pr	4.5	kW
		6.0	HP
Rating Speed	Nr	3000	min^{-1}
Maximum Speed	Nmax	4000	min^{-1}
Maximum Torque (*)	Tmax	76	Nm
		776	kgfcm
Rotor Inertia	Jm	0.00527	kgm^2
		0.0538	kgfcm s^2
Rotor Inertia (with Brake)	Jm	0.00587	kgm^2
		0.0599	kgfcm s^2
Torque constant (*)	Kt	0.79	Nm/A (rms)
		8.0	kgfcm/A (rms)
Back EMF constant (1 phase) (*)	Ke	28	V (rms)/1000 min^{-1}
		0.26	V (rms)sec/rad
Armature Resistance (1 phase) (*)	Ra	0.075	Ω
Mechanical time constant	tm	0.002	s
Thermal time constant	tt	30	min
Static friction	Tf	0.8	Nm
		8	kgfcm
Weight	w	17	kg
Weight (with Brake)	w	23	kg
Max. Current of Servo Amp.	Imax	160	A (peak)

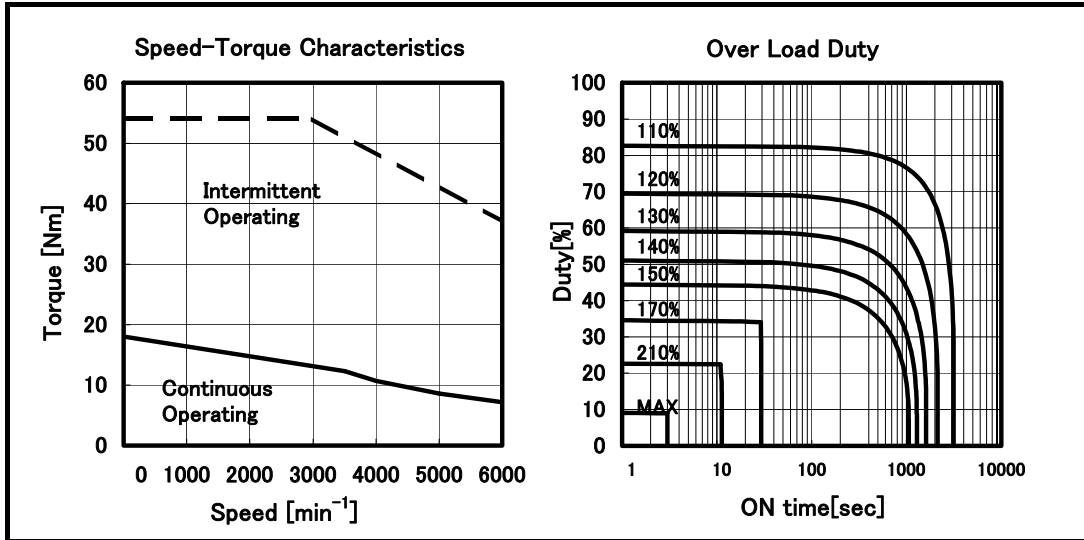
(*) The values are the standard values at 20°C and the tolerance is $\pm 10\%$.

The speed-torque characteristics vary depending on the type of software, parameter setting, and input voltage of the digital servo software. (The above figures show average values.)

Overload Duty shows the specification for rotating, and if the motor is stopping, Soft Alarm will occur shorter time. When the motor speed is less than 1 rpm for over 10 sec., use under stall torque.

Model αi S 22/6000

Specification A06B-0262-B□0□



Data sheet

Parameter	Symbol	Value	Unit
Stall Torque (*)	Ts	18	Nm
		184	kgfcm
Stall Current (*)	Is	34.1	A (rms)
Rated Output (*)	Pr	4.5	kW
		6.0	HP
Rating Speed	Nr	6000	min^{-1}
Maximum Speed	Nmax	6000	min^{-1}
Maximum Torque (*)	Tmax	54	Nm
		551	kgfcm
Rotor Inertia	Jm	0.00527	kgm^2
		0.0538	kgfcm s^2
Rotor Inertia (with Brake)	Jm	0.00587	kgm^2
		0.0599	kgfcm s^2
Torque constant (*)	Kt	0.53	Nm/A (rms)
		5.4	kgfcm/A (rms)
Back EMF constant (1 phase) (*)	Ke	18	V (rms)/1000 min^{-1}
		0.18	V (rms)sec/rad
Armature Resistance (1 phase) (*)	Ra	0.039	Ω
Mechanical time constant	tm	0.002	s
Thermal time constant	tt	30	min
Static friction	Tf	0.8	Nm
		8	kgfcm
Weight	w	17	kg
Weight (with Brake)	w	23	kg
Max. Current of Servo Amp.	Imax	160	A (peak)

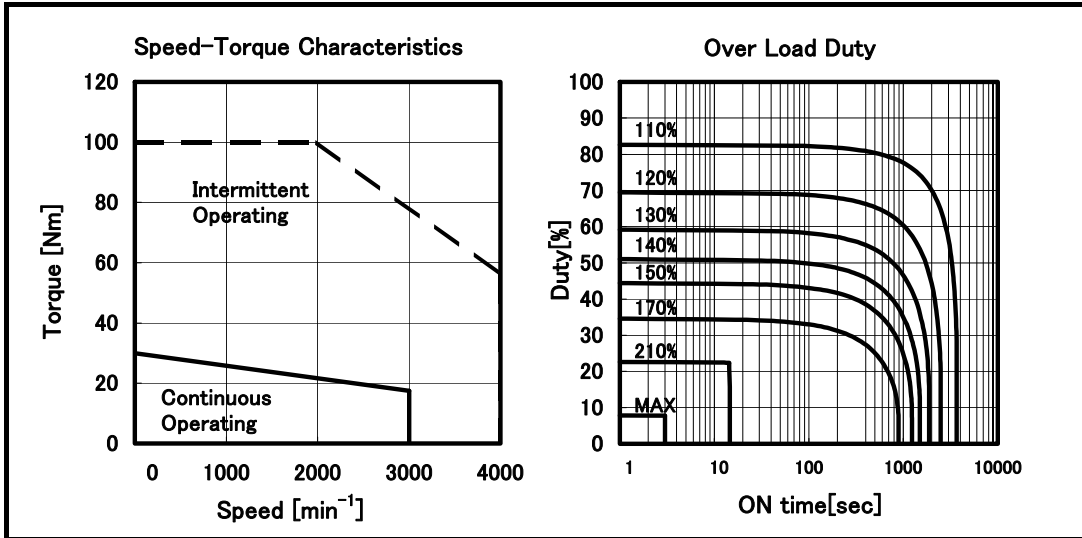
(*) The values are the standard values at 20°C and the tolerance is $\pm 10\%$.

The speed-torque characteristics vary depending on the type of software, parameter setting, and input voltage of the digital servo software. (The above figures show average values.)

Overload Duty shows the specification for rotating, and if the motor is stopping, Soft Alarm will occur shorter time. When the motor speed is less than 1 rpm for over 10 sec., use under stall torque.

Model αi S 30/4000

Specification A06B-0268-B□□□



Data sheet

Parameter	Symbol	Value	Unit
Stall Torque (*)	Ts	30	Nm
		306	kgfcm
Stall Current (*)	Is	31.7	A (rms)
Rated Output (*)	Pr	5.5	kW
		7.3	HP
Rating Speed	Nr	3000	min^{-1}
Maximum Speed	Nmax	4000	min^{-1}
Maximum Torque (*)	Tmax	100	Nm
		1020	kgfcm
Rotor Inertia	Jm	0.00759	kgm^2
		0.0774	kgfcm s^2
Rotor Inertia (with Brake)	Jm	0.00819	kgm^2
		0.0836	kgfcm s^2
Torque constant (*)	Kt	0.95	Nm/A (rms)
		9.7	kgfcm/A (rms)
Back EMF constant (1 phase) (*)	Ke	33	V (rms)/1000 min^{-1}
		0.32	V (rms)sec/rad
Armature Resistance (1 phase) (*)	Ra	0.062	Ω
Mechanical time constant	tm	0.002	s
Thermal time constant	tt	35	min
Static friction	Tf	0.8	Nm
		8	kgfcm
Weight	w	23	kg
Weight (with Brake)	w	29	kg
Max. Current of Servo Amp.	Imax	160	A (peak)

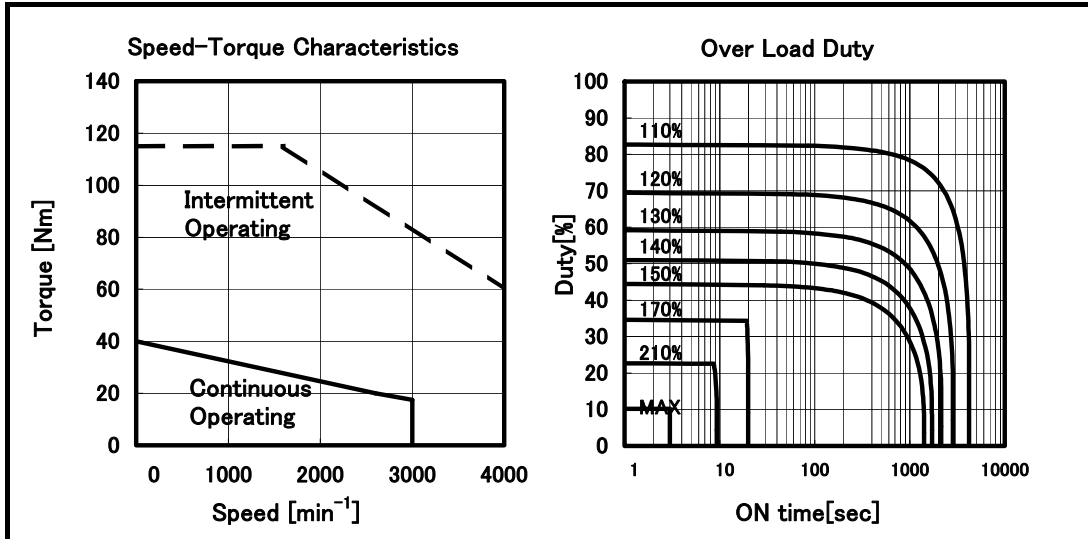
(*) The values are the standard values at 20°C and the tolerance is $\pm 10\%$.

The speed-torque characteristics vary depending on the type of software, parameter setting, and input voltage of the digital servo software. (The above figures show average values.)

Overload Duty shows the specification for rotating, and if the motor is stopping, Soft Alarm will occur shorter time. When the motor speed is less than 1 rpm for over 10 sec., use under stall torque.

Model αi S 40/4000

Specification A06B-0272-B□0□,-B□2□



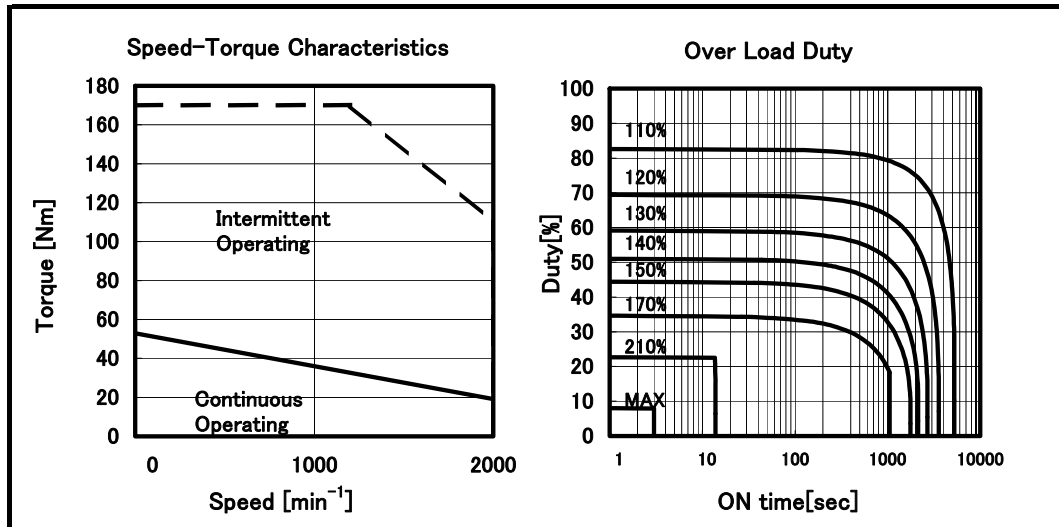
Data sheet

Parameter	Symbol	Value	Unit
Stall Torque (*)	Ts	40	Nm
		408	kgfcm
Stall Current (*)	Is	36.2	A (rms)
Rated Output (*)	Pr	5.5	kW
		7.3	HP
Rating Speed	Nr	3000	min^{-1}
Maximum Speed	Nmax	4000	min^{-1}
Maximum Torque (*)	Tmax	115	Nm
		1170	kgfcm
Rotor Inertia	Jm	0.00990	kgm^2
		0.101	kgfcm^2
Rotor Inertia(with 35Nm Brake)	Jm	0.0105	kgm^2
		0.107	kgfcm^2
Torque constant (*)	Kt	1.10	Nm/A (rms)
		11.3	kgfcm/A (rms)
Back EMF constant (1 phase) (*)	Ke	39	V (rms)/1000 min^{-1}
		Kv	0.37
Armature Resistance (1 phase) (*)	Ra	0.058	Ω
Mechanical time constant	tm	0.001	s
Thermal time constant	tt	40	min
Static friction	Tf	1.2	Nm
		12	kgfcm
Weight	w	28	kg
Weight(with 35Nm Brake)	w	34	kg
Max. Current of Servo Amp.	Imax	160	A (peak)

(*) The values are the standard values at 20°C and the tolerance is $\pm 10\%$.
 The speed-torque characteristics vary depending on the type of software, parameter setting, and input voltage of the digital servo software. (The above figures show average values.)
 Overload Duty shows the specification for rotating, and if the motor is stopping, Soft Alarm will occur shorter time. When the motor speed is less than 1 rpm for over 10 sec., use under stall torque.

Model αi S 50/2000

Specification A06B-0042-B□0□,-B□2□



Data sheet

Parameter	Symbol	Value	Unit
Stall Torque (*)	Ts	53	Nm
		541	kgfcm
Stall Current (*)	Is	32.0	A (rms)
Rated Output (*)	Pr	4.0	kW
		5.4	HP
Rating Speed	Nr	2000	min^{-1}
Maximum Speed	Nmax	2000	min^{-1}
Maximum Torque (*)	Tmax	170	Nm
		1730	kgfcm
Rotor Inertia	Jm	0.0145	kgm^2
		0.148	kgfcm s^2
Rotor Inertia(with 70Nm Brake)	Jm	0.0154	kgm^2
		0.157	kgfcm s^2
Torque constant (*)	Kt	1.66	Nm/A (rms)
		16.9	kgfcm/A (rms)
Back EMF constant (1 phase) (*)	Ke	58	V (rms)/1000 min^{-1}
		0.55	V (rms)sec/rad
Armature Resistance (1 phase) (*)	Ra	0.077	Ω
Mechanical time constant	tm	0.001	s
Thermal time constant	tt	50	min
Static friction	Tf	1.8	Nm
		18	kgfcm
Weight	w	39	kg
Weight(with 70Nm Brake)	w	49	kg
Max. Current of Servo Amp.	Imax	160	A (peak)

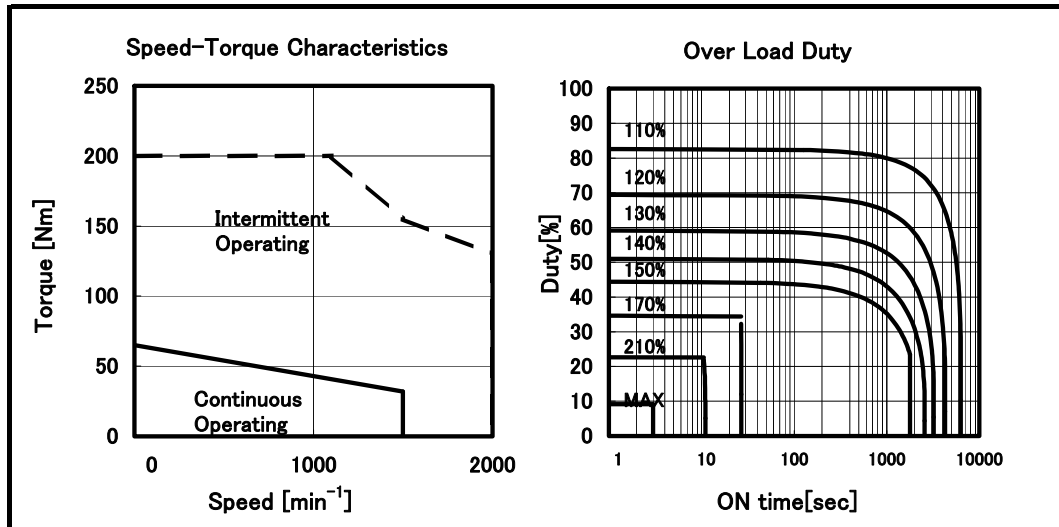
(*) The values are the standard values at 20°C and the tolerance is $\pm 10\%$.

The speed-torque characteristics vary depending on the type of software, parameter setting, and input voltage of the digital servo software. (The above figures show average values.)

Overload Duty shows the specification for rotating, and if the motor is stopping, Soft Alarm will occur shorter time. When the motor speed is less than 1 rpm for over 10 sec., use under stall torque.

Model αi S 60/2000

Specification A06B-0044-B□0□,-B□2□



Data sheet

Parameter	Symbol	Value	Unit
Stall Torque (*)	Ts	65	Nm
		663	kgfcm
Stall Current (*)	Is	34.3	A (rms)
Rated Output (*)	Pr	5.0	kW
		6.7	HP
Rating Speed	Nr	1500	min^{-1}
Maximum Speed	Nmax	2000	min^{-1}
Maximum Torque (*)	Tmax	200	Nm
		2040	kgfcm
Rotor Inertia	Jm	0.0195	kgm^2
		0.199	kgfcm s^2
Rotor Inertia(with 70Nm Brake)	Jm	0.0204	kgm^2
		0.208	kgfcm s^2
Torque constant (*)	Kt	1.89	Nm/A (rms)
		19.3	kgfcm/A (rms)
Back EMF constant (1 phase) (*)	Ke	66	V (rms)/1000 min^{-1}
		0.63	V (rms)sec/rad
Armature Resistance (1 phase) (*)	Ra	0.074	Ω
Mechanical time constant	tm	0.001	s
Thermal time constant	tt	60	min
Static friction	Tf	1.8	Nm
		18	kgfcm
Weight	w	50	kg
Weight(with 70Nm Brake)	w	60	kg
Max. Current of Servo Amp.	Imax	160	A (peak)

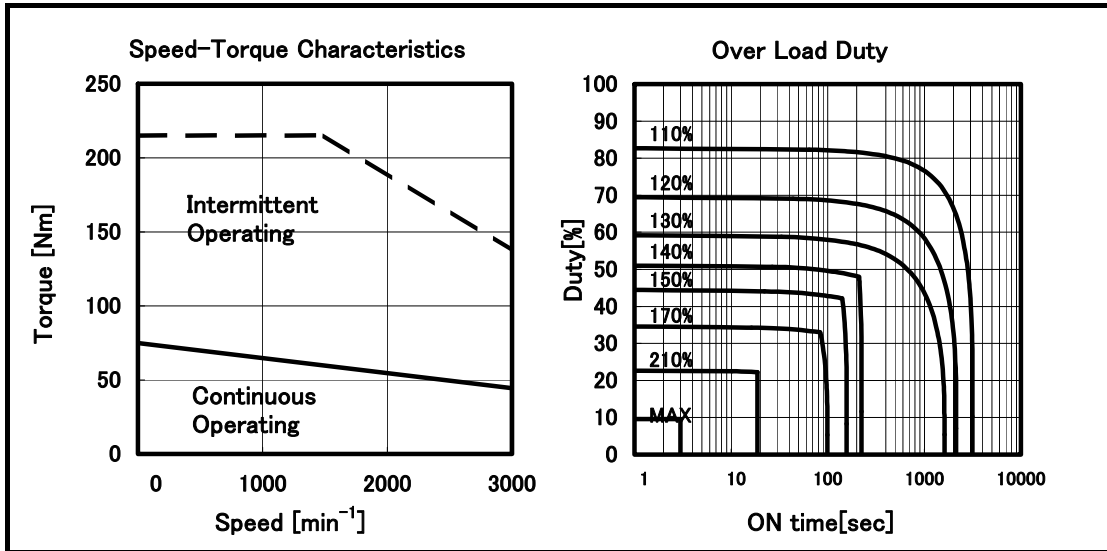
(*) The values are the standard values at 20°C and the tolerance is $\pm 10\%$.

The speed-torque characteristics vary depending on the type of software, parameter setting, and input voltage of the digital servo software. (The above figures show average values.)

Overload Duty shows the specification for rotating, and if the motor is stopping, Soft Alarm will occur shorter time. When the motor speed is less than 1 rpm for over 10 sec., use under stall torque.

Model αi S 50/3000 with Fan

Specification A06B-0275-B□1□,-B□3□



Data sheet

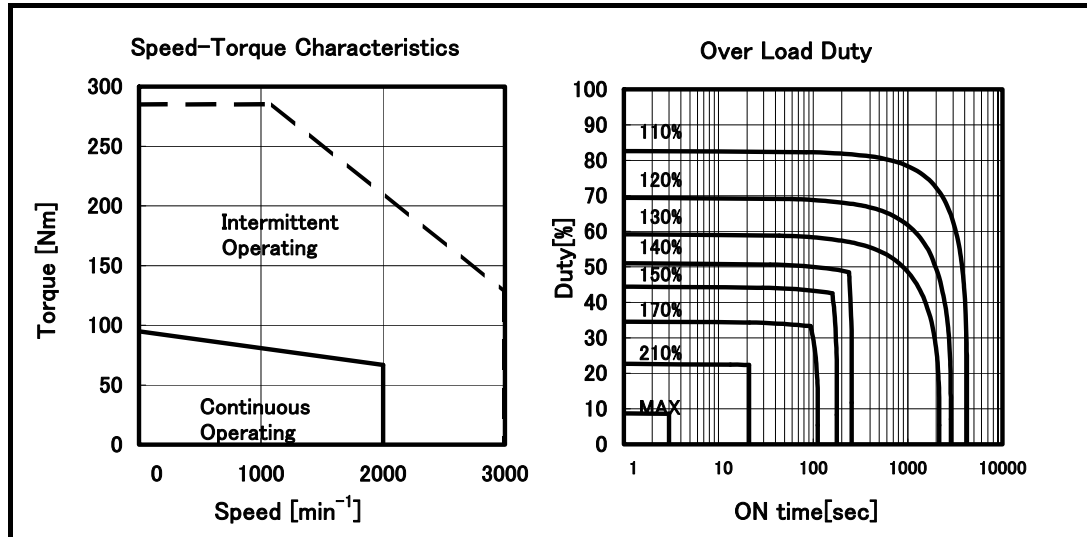
Parameter	Symbol	Value		Unit
Stall Torque (*)	Ts	75		Nm
		765		kgfcm
Stall Current (*)	Is	79		A (rms)
Rated Output (*)	Pr	14		kW
		19		HP
Rating Speed	Nr	3000		min^{-1}
Maximum Speed	Nmax	3000		min^{-1}
Maximum Torque (*)	Tmax	215		Nm
		2190		kgfcm
Rotor Inertia	Jm	0.0145		kgm^2
		0.148		kgfcm 2
Rotor Inertia(with 70Nm Brake)	Jm	0.0154		kgm^2
		0.157		kgfcm 2
Torque constant (*)	Kt	0.95		Nm/A (rms)
		9.7		kgfcm/A (rms)
Back EMF constant (1 phase) (*)	Ke	33		V (rms)/1000 min^{-1}
		Kv	0.32	
Armature Resistance (1 phase) (*)	Ra	0.024		Ω
Mechanical time constant	tm	0.001		s
Thermal time constant	tt	30		min
Static friction	Tf	1.8		Nm
		18		kgfcm
Weight	w	42		kg
Weight(with 70Nm Brake)	w	52		kg
Max. Current of Servo Amp.	Imax	360		A (peak)

(*) The values are the standard values at 20°C and the tolerance is $\pm 10\%$.

The speed-torque characteristics vary depending on the type of software, parameter setting, and input voltage of the digital servo software. (The above figures show average values.)

Model αi S 60/3000 with Fan

Specification A06B-0278-B□1□,-B□3□



Data sheet

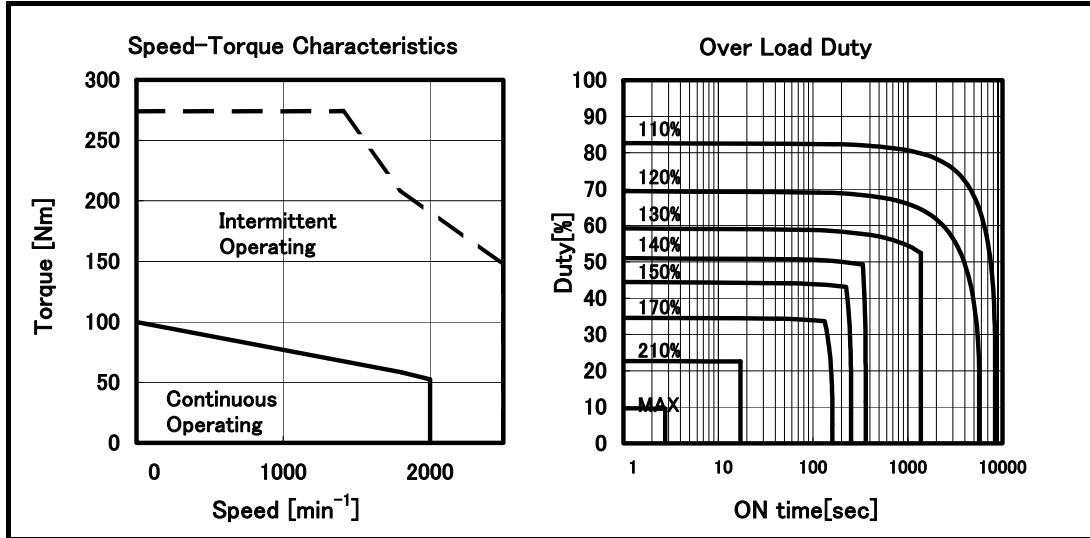
Parameter	Symbol	Value		Unit
Stall Torque (*)	Ts	95		Nm
		969		kgfcm
Stall Current (*)	Is	75		A (rms)
Rated Output (*)	Pr	14		kW
		19		HP
Rating Speed	Nr	2000		min ⁻¹
Maximum Speed	Nmax	3000		min ⁻¹
Maximum Torque (*)	Tmax	285		Nm
		2910		kgfcm
Rotor Inertia	Jm	0.0195		kgm ²
		0.199		kgfcms ²
Rotor Inertia(with 70Nm Brake)	Jm	0.0204		kgm ²
		0.208		kgfcms ²
Torque constant (*)	Kt	1.26		Nm/A (rms)
		12.9		kgfcm/A (rms)
Back EMF constant (1 phase) (*)	Ke	44		V (rms)/1000 min ⁻¹
		0.42		V (rms)sec/rad
Armature Resistance (1 phase) (*)	Ra	0.033		Ω
Mechanical time constant	tm	0.001		s
Thermal time constant	tt	40		min
Static friction	Tf	1.8		Nm
		18		kgfcm
Weight	w	53		kg
Weight(with 70Nm Brake)	w	63		kg
Max. Current of Servo Amp.	Imax	360		A (peak)

(*) The values are the standard values at 20°C and the tolerance is ±10%.

The speed-torque characteristics vary depending on the type of software, parameter setting, and input voltage of the digital servo software. (The above figures show average values.)

Model αi S 100/2500

Specification A06B-0285-B□00



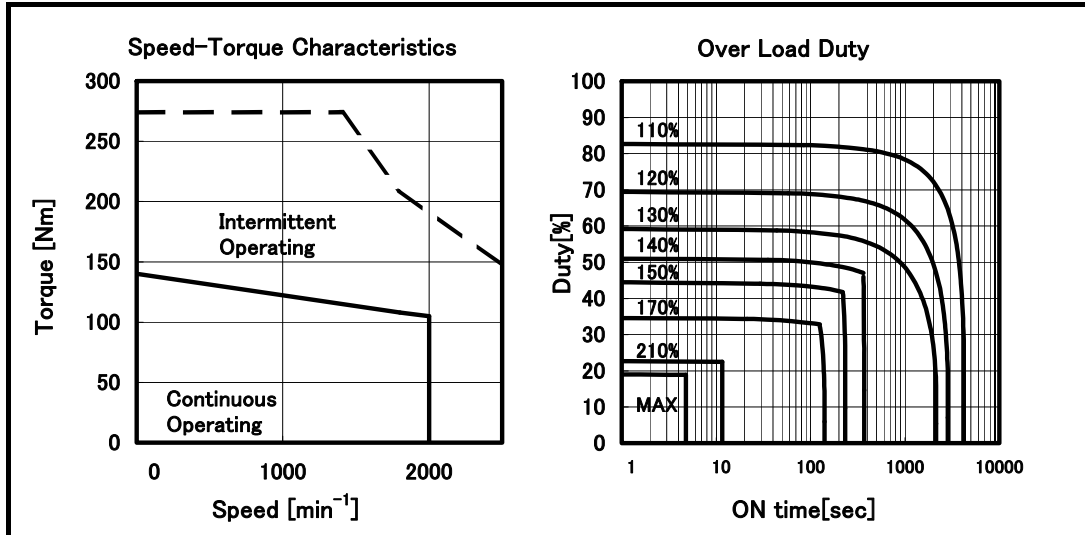
Data sheet

Parameter	Symbol	Value	Unit
Stall Torque (*)	Ts	100	Nm
		1020	kgfcm
Stall Current (*)	Is	79	A (rms)
Rated Output (*)	Pr	11	kW
		15	HP
Rating Speed	Nr	2000	min^{-1}
Maximum Speed	Nmax	2500	min^{-1}
Maximum Torque (*)	Tmax	274	Nm
		2800	kgfcm
Rotor Inertia	Jm	0.0252	kgm^2
		0.257	kgfcm s^2
Rotor Inertia(with Brake)	Jm	0.0262	kgm^2
		0.267	kgfcm s^2
Torque constant (*)	Kt	1.27	Nm/A (rms)
		13.0	kgfcm/A (rms)
Back EMF constant (1 phase) (*)	Ke	44	V (rms)/1000 min^{-1}
		0.42	V (rms)sec/rad
Armature Resistance (1 phase) (*)	Ra	0.013	Ω
Mechanical time constant	tm	0.0006	s
Thermal time constant	tt	80	min
Static friction	Tf	2.2	Nm
		22	kgfcm
Weight	w	95	kg
Weight(with Brake)	w	110	kg
Max. Current of Servo Amp.	Imax	360	A (peak)

(*) The values are the standard values at 20°C and the tolerance is $\pm 10\%$.
 The speed-torque characteristics vary depending on the type of software, parameter setting, and input voltage of the digital servo software. (The above figures show average values.)

Model αi S 100/2500 with Fan

Specification A06B-0285-B□10



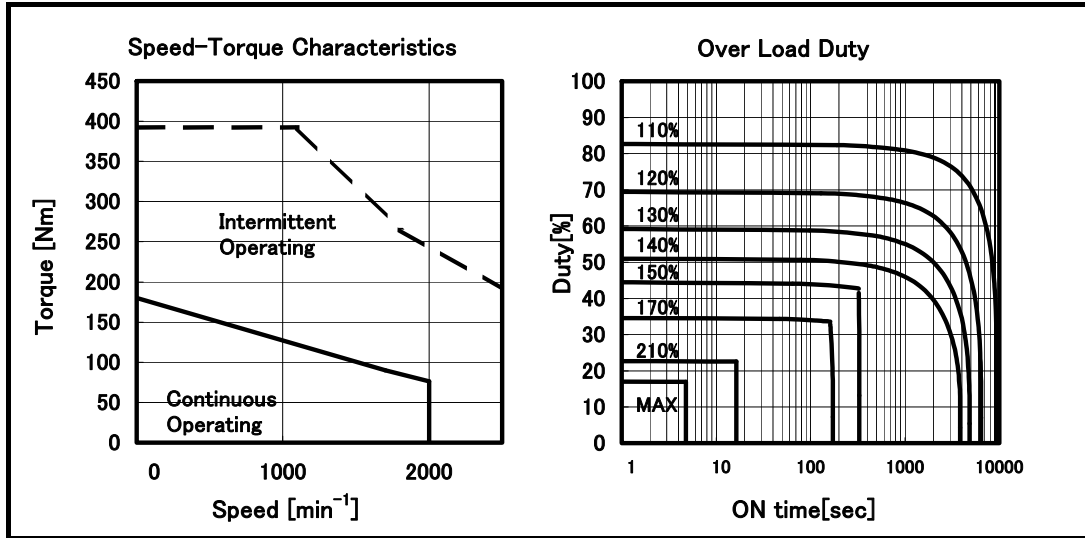
Data sheet

Parameter	Symbol	Value	Unit
Stall Torque (*)	Ts	140	Nm
		1430	kgfcm
Stall Current (*)	Is	111	A (rms)
Rated Output (*)	Pr	22	kW
		30	HP
Rating Speed	Nr	2000	min^{-1}
Maximum Speed	Nmax	2500	min^{-1}
Maximum Torque (*)	Tmax	274	Nm
		2800	kgfcm
Rotor Inertia	Jm	0.0252	kgm^2
		0.257	kgfcm^2
Rotor Inertia(with Brake)	Jm	0.0262	kgm^2
		0.267	kgfcm^2
Torque constant (*)	Kt	1.27	Nm/A (rms)
		13.0	kgfcm/A (rms)
Back EMF constant (1 phase) (*)	Ke	44	V (rms)/1000 min^{-1}
		Kv	0.42
Armature Resistance (1 phase) (*)	Ra	0.013	Ω
Mechanical time constant	tm	0.0006	s
Thermal time constant	tt	40	min
Static friction	Tf	2.2	Nm
		22	kgfcm
Weight	w	100	kg
Weight(with Brake)	w	115	kg
Max. Current of Servo Amp.	Imax	360	A (peak)

(*) The values are the standard values at 20°C and the tolerance is $\pm 10\%$.
 The speed-torque characteristics vary depending on the type of software, parameter setting, and input voltage of the digital servo software. (The above figures show average values.)

Model αi S 200/2500

Specification A06B-0288-B□00



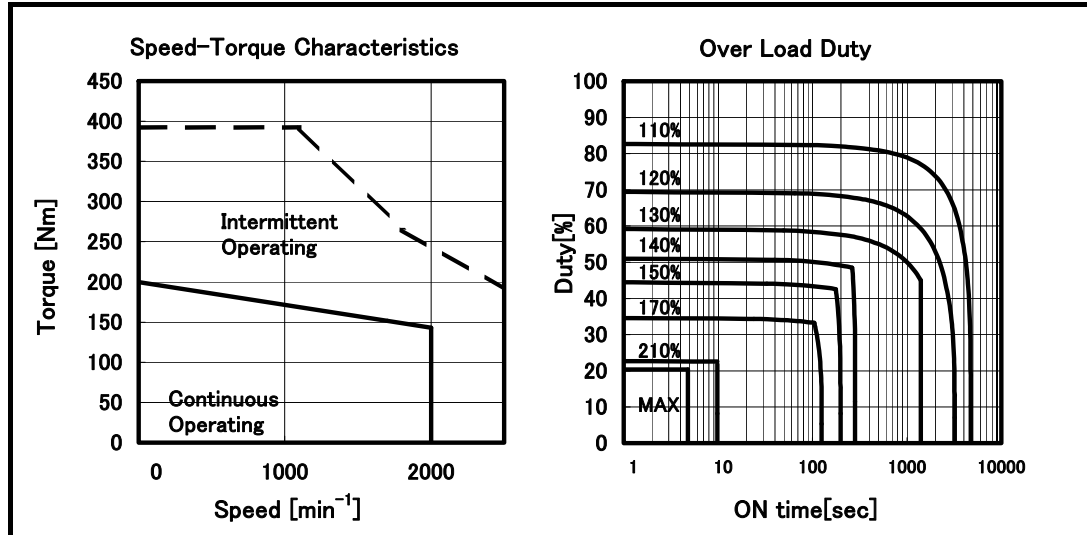
Data sheet

Parameter	Symbol	Value	Unit
Stall Torque (*)	Ts	180	Nm
		1840	kgfcm
Stall Current (*)	Is	105	A (rms)
Rated Output (*)	Pr	16	kW
		21	HP
Rating Speed	Nr	2000	min^{-1}
Maximum Speed	Nmax	2500	min^{-1}
Maximum Torque (*)	Tmax	392	Nm
		4000	kgfcm
Rotor Inertia	Jm	0.0431	kgm^2
		0.440	kgfcm^2
Rotor Inertia(with Brake)	Jm	0.0441	kgm^2
		0.450	kgfcm^2
Torque constant (*)	Kt	1.71	Nm/A (rms)
		17.4	kgfcm/A (rms)
Back EMF constant (1 phase) (*)	Ke	60	V (rms)/1000 min^{-1}
		Kv	0.57
Armature Resistance (1 phase) (*)	Ra	0.011	Ω
Mechanical time constant	tm	0.0005	s
Thermal time constant	tt	90	min
Static friction	Tf	2.2	Nm
		22	kgfcm
Weight	w	140	kg
Weight(with Brake)	w	155	kg
Max. Current of Servo Amp.	Imax	360	A (peak)

(*) The values are the standard values at 20°C and the tolerance is $\pm 10\%$.
 The speed-torque characteristics vary depending on the type of software, parameter setting, and input voltage of the digital servo software. (The above figures show average values.)

Model αi S 200/2500 with Fan

Specification A06B-0288-B□10



Data sheet

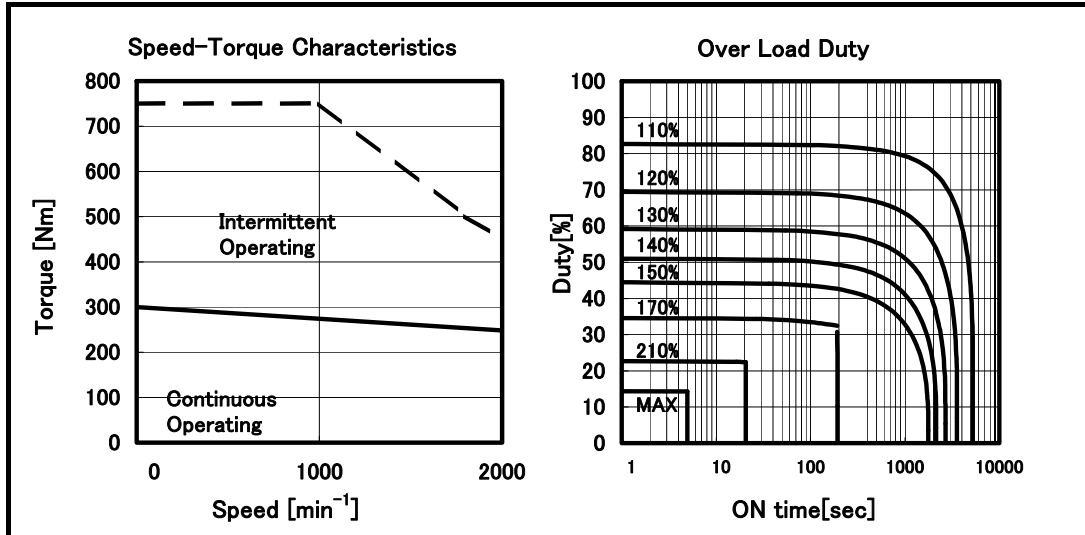
Parameter	Symbol	Value		Unit
Stall Torque (*)	Ts	200		Nm
		2040		kgfcm
Stall Current (*)	Is	115		A (rms)
Rated Output (*)	Pr	30		kW
		40		HP
Rating Speed	Nr	2000		min ⁻¹
Maximum Speed	Nmax	2500		min ⁻¹
Maximum Torque (*)	Tmax	392		Nm
		4000		kgfcm
Rotor Inertia	Jm	0.0431		kgm ²
		0.440		kgfcm ²
Rotor Inertia(with Brake)	Jm	0.0441		kgm ²
		0.450		kgfcm ²
Torque constant (*)	Kt	1.71		Nm/A (rms)
		17.4		kgfcm/A (rms)
Back EMF constant (1 phase) (*)	Ke	60		V (rms)/1000 min ⁻¹
		Kv	0.57	
Armature Resistance (1 phase) (*)	Ra	0.011		Ω
Mechanical time constant	tm	0.0005		s
Thermal time constant	tt	45		min
Static friction	Tf	2.2		Nm
		22		kgfcm
Weight	w	145		kg
Weight(with Brake)	w	160		kg
Max. Current of Servo Amp.	Imax	360		A (peak)

(*) The values are the standard values at 20°C and the tolerance is ±10%.

The speed-torque characteristics vary depending on the type of software, parameter setting, and input voltage of the digital servo software. (The above figures show average values.)

Model αi S 300/2000

Specification A06B-0292-B□10



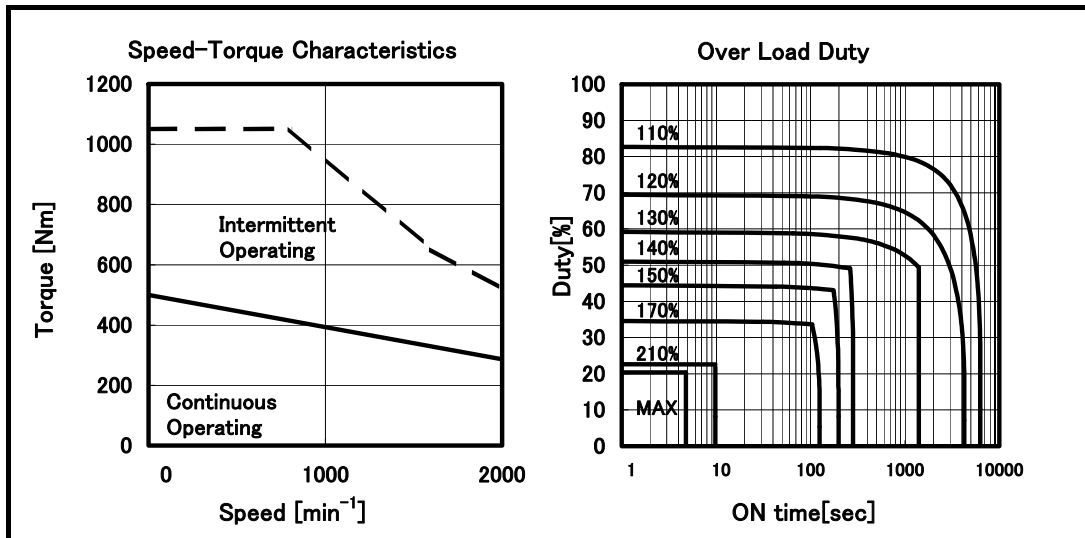
Data sheet

Parameter	Symbol	Value		Unit
Stall Torque (*)	Ts	300		Nm
		3060		kgfcm
Stall Current (*)	Is	193		A (rms)
Rated Output (*)	Pr	52		kW
		70		HP
Rating Speed	Nr	2000		min^{-1}
Maximum Speed	Nmax	2000		min^{-1}
Maximum Torque (*)	Tmax	750		Nm
		7650		kgfcm
Rotor Inertia	Jm	0.0787		kgm^2
		0.803		kgfcm^2
Rotor Inertia(with Brake)	Jm	-		kgm^2
		-		kgfcm^2
Torque constant (*)	Kt	1.55		Nm/A (rms)
		15.8		kgfcm/A (rms)
Back EMF constant (1 phase) (*)	Ke	54		V (rms)/1000 min^{-1}
		0.52		V (rms)sec/rad
Armature Resistance (1 phase) (*)	Ra	0.012		Ω
Mechanical time constant	tm	0.001		s
Thermal time constant	tt	50		min
Static friction	Tf	4.0		Nm
		41		kgfcm
Weight	w	180		kg
Weight(with Brake)	w	-		kg
Max. Current of Servo Amp.	Imax	360 x 2		A (peak)

(*) The values are the standard values at 20°C and the tolerance is $\pm 10\%$.
 The speed-torque characteristics vary depending on the type of software, parameter setting, and input voltage of the digital servo software. (The above figures show average values.)

Model αi S 500/2000

Specification A06B-0295-B□10



Data sheet

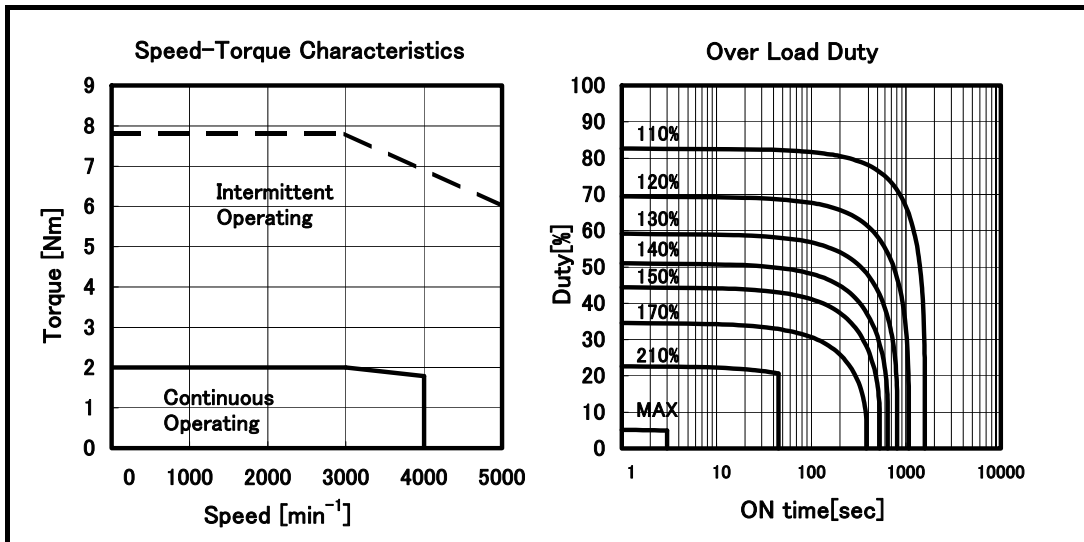
Parameter	Symbol	Value	Unit
Stall Torque (*)	Ts	500	Nm
		5100	kgfcm
Stall Current (*)	Is	230	A (rms)
Rated Output (*)	Pr	60	kW
		80	HP
Rating Speed	Nr	2000	min^{-1}
Maximum Speed	Nmax	2000	min^{-1}
Maximum Torque (*)	Tmax	1050	Nm
		10700	kgfcm
Rotor Inertia	Jm	0.127	kgm^2
		1.30	kgfcm^2
Rotor Inertia(with Brake)	Jm	-	kgm^2
		-	kgfcm^2
Torque constant (*)	Kt	2.16	Nm/A (rms)
		22.0	kgfcm/A (rms)
Back EMF constant (1 phase) (*)	Ke	75	V (rms)/1000 min^{-1}
		Kv	0.72
Armature Resistance (1 phase) (*)	Ra	0.012	Ω
Mechanical time constant	tm	0.001	s
Thermal time constant	tt	60	min
Static friction	Tf	4.0	Nm
		41	kgfcm
Weight	w	240	kg
Weight(with Brake)	w	-	kg
Max. Current of Servo Amp.	Imax	360 x 2	A (peak)

(*) The values are the standard values at 20°C and the tolerance is $\pm 10\%$.
 The speed-torque characteristics vary depending on the type of software, parameter setting, and input voltage of the digital servo software. (The above figures show average values.)

6.2 $\alpha i S$ series (400V)

Model $\alpha i S$ 2/5000 HV

Specification A06B-0213-B□□□



Data sheet

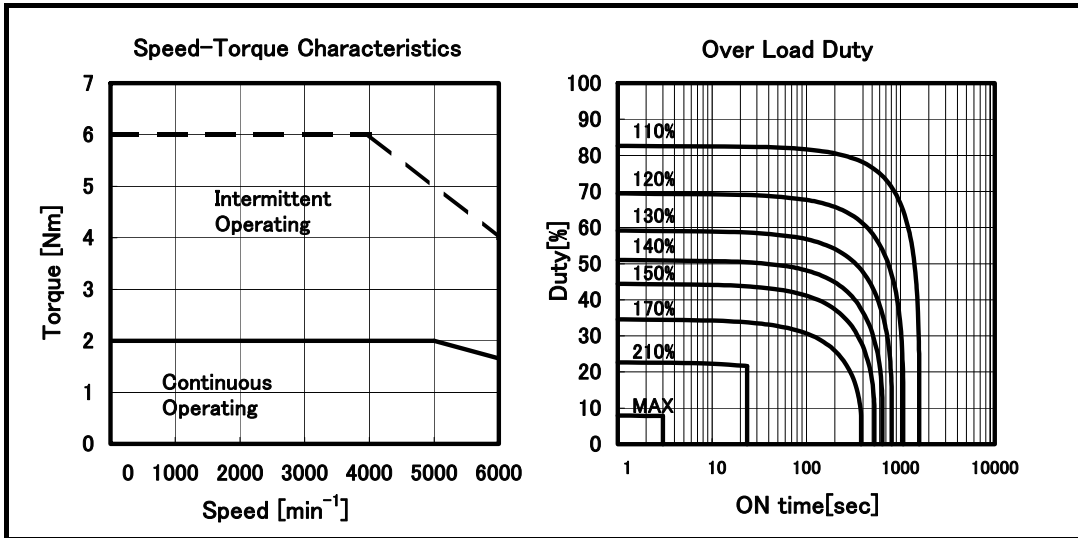
Parameter	Symbol	Value		Unit
Stall Torque (*)	Ts	2.0		Nm
		20		kgfcm
Stall Current (*)	Is	1.6		A (rms)
Rated Output (*)	Pr	0.75		kW
		1.0		HP
Rating Speed	Nr	4000		min^{-1}
Maximum Speed	Nmax	5000		min^{-1}
Maximum Torque (*)	Tmax	7.8		Nm
		80		kgfcm
Rotor Inertia	Jm	0.000291		kgm^2
		0.00297		kgfcm s^2
Rotor Inertia (with Brake)	Jm	0.000311		kgm^2
		0.00317		kgfcm s^2
Torque constant (*)	Kt	1.22		Nm/A (rms)
		12.4		kgfcm/A (rms)
Back EMF constant (1 phase) (*)	Ke	42		V (rms)/1000 min^{-1}
		Kv	0.40	
Armature Resistance (1 phase) (*)	Ra	5.4		Ω
Mechanical time constant	tm	0.003		s
Thermal time constant	tt	15		min
Static friction	Tf	0.1		Nm
		1		kgfcm
Weight	w	2.8		kg
Weight (with Brake)	w	3.8		kg
Max. Current of Servo Amp.	Imax	10		A (peak)

(*) The values are the standard values at 20°C and the tolerance is $\pm 10\%$.

The speed-torque characteristics vary depending on the type of software, parameter setting, and input voltage of the digital servo software. (The above figures show average values.)

Model αi S 2/6000 HV

Specification A06B-0219-B□□□



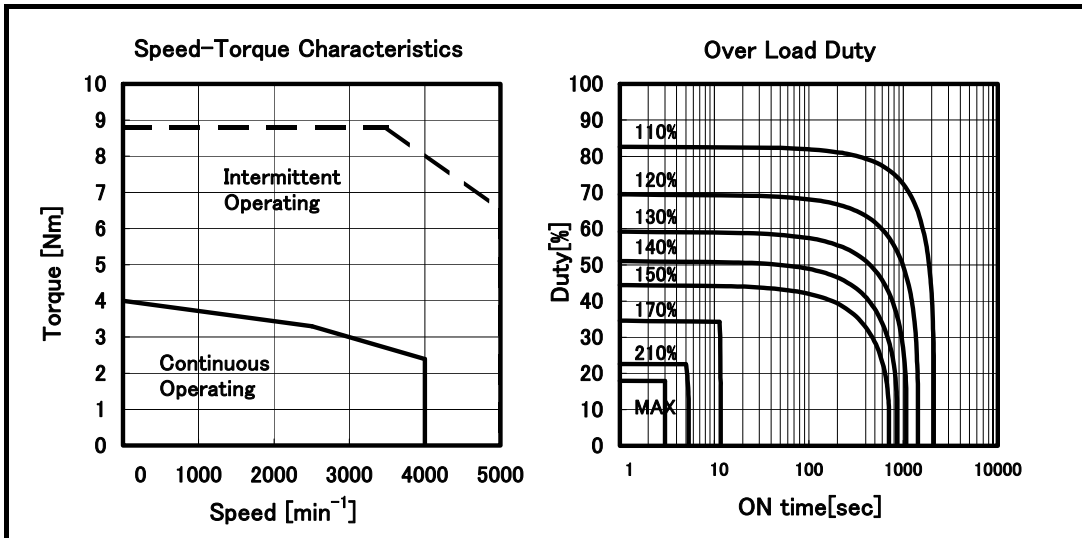
Data sheet

Parameter	Symbol	Value	Unit
Stall Torque (*)	Ts	2.0	Nm
		20	kgfcm
Stall Current (*)	Is	2.0	A (rms)
Rated Output (*)	Pr	1.0	kW
		1.3	HP
Rating Speed	Nr	6000	min^{-1}
Maximum Speed	Nmax	6000	min^{-1}
Maximum Torque (*)	Tmax	6	Nm
		61	kgfcm
Rotor Inertia	Jm	0.000291	kgm^2
		0.00297	kgfcm s^2
Rotor Inertia (with Brake)	Jm	0.000311	kgm^2
		0.00317	kgfcm s^2
Torque constant (*)	Kt	0.99	Nm/A (rms)
		10.1	kgfcm/A (rms)
Back EMF constant (1 phase) (*)	Ke	35	V (rms)/1000 min^{-1}
		0.33	V (rms)sec/rad
Armature Resistance (1 phase) (*)	Ra	5.6	Ω
Mechanical time constant	tm	0.005	s
Thermal time constant	tt	15	min
Static friction	Tf	0.1	Nm
		1	kgfcm
Weight	w	3.0	kg
Weight (with Brake)	w	4.0	kg
Max. Current of Servo Amp.	Imax	10	A (peak)

(*) The values are the standard values at 20°C and the tolerance is $\pm 10\%$.
 The speed-torque characteristics vary depending on the type of software, parameter setting, and input voltage of the digital servo software. (The above figures show average values.)

Model αi S 4/5000 HV

Specification A06B-0216-B□□□



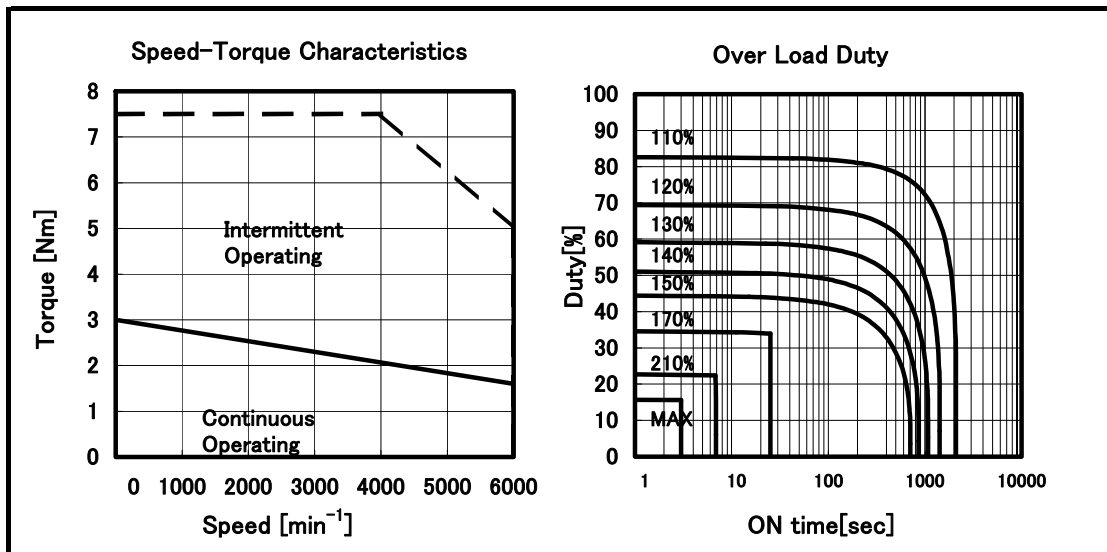
Data sheet

Parameter	Symbol	Value	Unit
Stall Torque (*)	Ts	4.0	Nm
		41	kgfcm
Stall Current (*)	Is	3.0	A (rms)
Rated Output (*)	Pr	1.0	kW
		1.3	HP
Rating Speed	Nr	4000	min^{-1}
Maximum Speed	Nmax	5000	min^{-1}
Maximum Torque (*)	Tmax	8.8	Nm
		90	kgfcm
Rotor Inertia	Jm	0.000515	kgm^2
		0.00526	kgfcm s^2
Rotor Inertia (with Brake)	Jm	0.000535	kgm^2
		0.00546	kgfcm s^2
Torque constant (*)	Kt	1.32	Nm/A (rms)
		13.4	kgfcm/A (rms)
Back EMF constant (1 phase) (*)	Ke	46	V (rms)/1000 min^{-1}
		Kv	0.44
Armature Resistance (1 phase) (*)	Ra	2.8	Ω
Mechanical time constant	tm	0.003	s
Thermal time constant	tt	20	min
Static friction	Tf	0.2	Nm
		2	kgfcm
Weight	w	4.3	kg
Weight (with Brake)	w	5.3	kg
Max. Current of Servo Amp.	Imax	10	A (peak)

(*) The values are the standard values at 20°C and the tolerance is $\pm 10\%$.
 The speed-torque characteristics vary depending on the type of software, parameter setting, and input voltage of the digital servo software. (The above figures show average values.)

Model αi S 4/6000 HV

Specification A06B-0214-B□□□



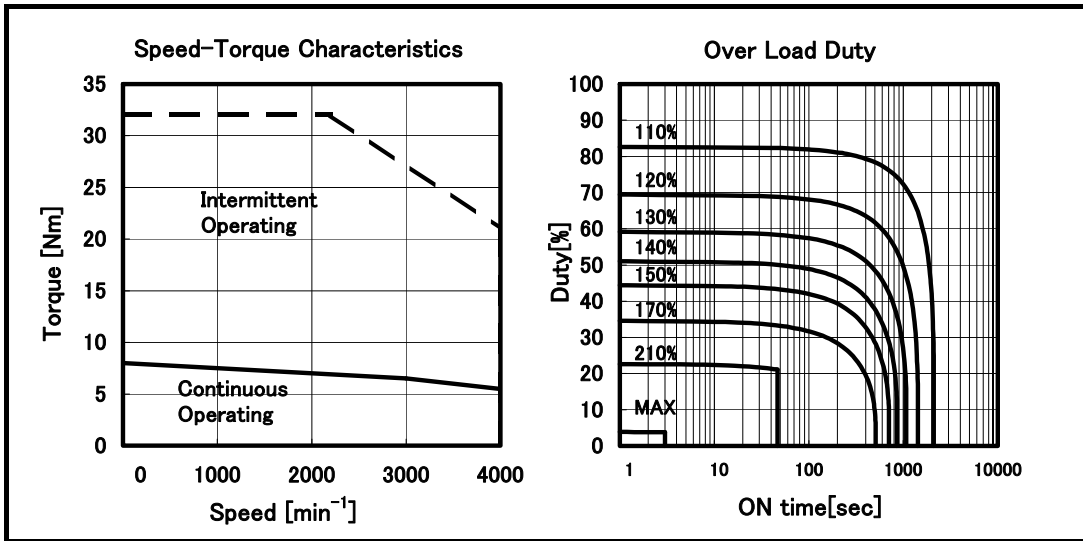
Data sheet

Parameter	Symbol	Value	Unit
Stall Torque (*)	Ts	3.0	Nm
		31	kgfcm
Stall Current (*)	Is	2.8	A (rms)
Rated Output (*)	Pr	1.0	kW
		1.3	HP
Rating Speed	Nr	6000	min^{-1}
Maximum Speed	Nmax	6000	min^{-1}
Maximum Torque (*)	Tmax	7.5	Nm
		77	kgfcm
Rotor Inertia	Jm	0.000515	kgm^2
		0.00526	kgfcm s^2
Rotor Inertia(with Brake)	Jm	0.000535	kgm^2
		0.00546	kgfcm s^2
Torque constant (*)	Kt	1.08	Nm/A (rms)
		11.0	kgfcm/A (rms)
Back EMF constant (1 phase) (*)	Ke	38	V (rms)/1000 min^{-1}
		Kv	0.36
Armature Resistance (1 phase) (*)	Ra	2.8	Ω
Mechanical time constant	tm	0.004	s
Thermal time constant	tt	20	min
Static friction	Tf	0.2	Nm
		2	kgfcm
Weight	w	4.5	kg
Weight(with Brake)	w	5.5	kg
Max. Current of Servo Amp.	Imax	10	A (peak)

(*) The values are the standard values at 20°C and the tolerance is $\pm 10\%$.
 The speed-torque characteristics vary depending on the type of software, parameter setting, and input voltage of the digital servo software. (The above figures show average values.)

Model αi S 8/4000 HV

Specification A06B-0236-B□□□



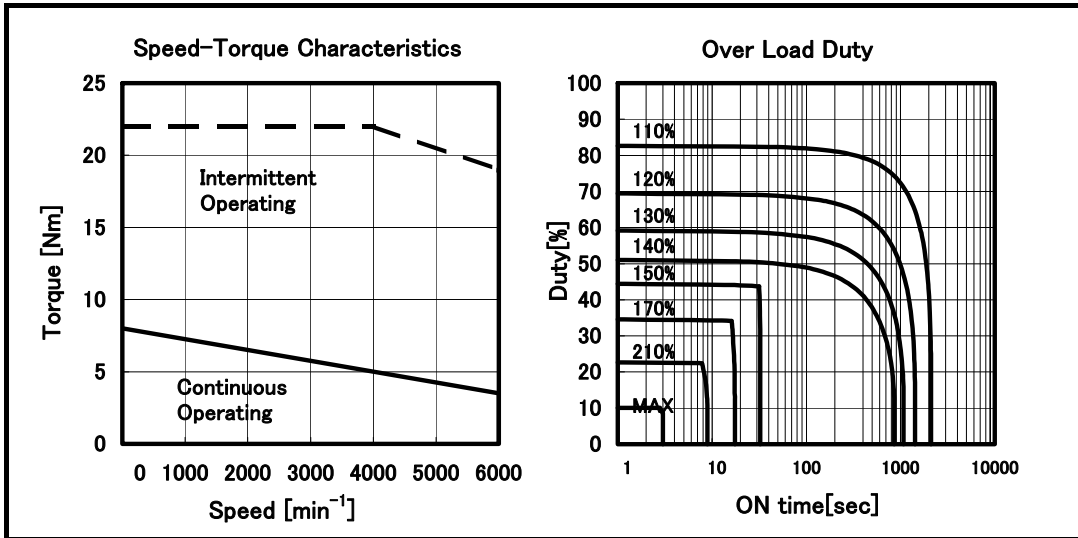
Data sheet

Parameter	Symbol	Value		Unit
Stall Torque (*)	Ts	8.0		Nm
		82		kgfcm
Stall Current (*)	Is	5.6		A (rms)
Rated Output (*)	Pr	2.3		kW
		3.1		HP
Rating Speed	Nr	4000		min^{-1}
Maximum Speed	Nmax	4000		min^{-1}
Maximum Torque (*)	Tmax	32		Nm
		327		kgfcm
Rotor Inertia	Jm	0.00117		kgm^2
		0.0119		kgfcm^2
Rotor Inertia (with Brake)	Jm	0.00124		kgm^2
		0.0127		kgfcm^2
Torque constant (*)	Kt	1.44		Nm/A (rms)
		14.7		kgfcm/A (rms)
Back EMF constant (1 phase) (*)	Ke Kv	50		V (rms)/1000 min^{-1}
		0.48		V (rms)sec/rad
Armature Resistance (1 phase) (*)	Ra	1.3		Ω
Mechanical time constant	tm	0.002		s
Thermal time constant	tt	20		min
Static friction	Tf	0.3		Nm
		3		kgfcm
Weight	w	7.4		kg
Weight (with Brake)	w	9.6		kg
Max. Current of Servo Amp.	Imax	40		A (peak)

(*) The values are the standard values at 20°C and the tolerance is $\pm 10\%$.
 The speed-torque characteristics vary depending on the type of software, parameter setting, and input voltage of the digital servo software. (The above figures show average values.)

Model αi S 8/6000 HV

Specification A06B-0233-B□□□



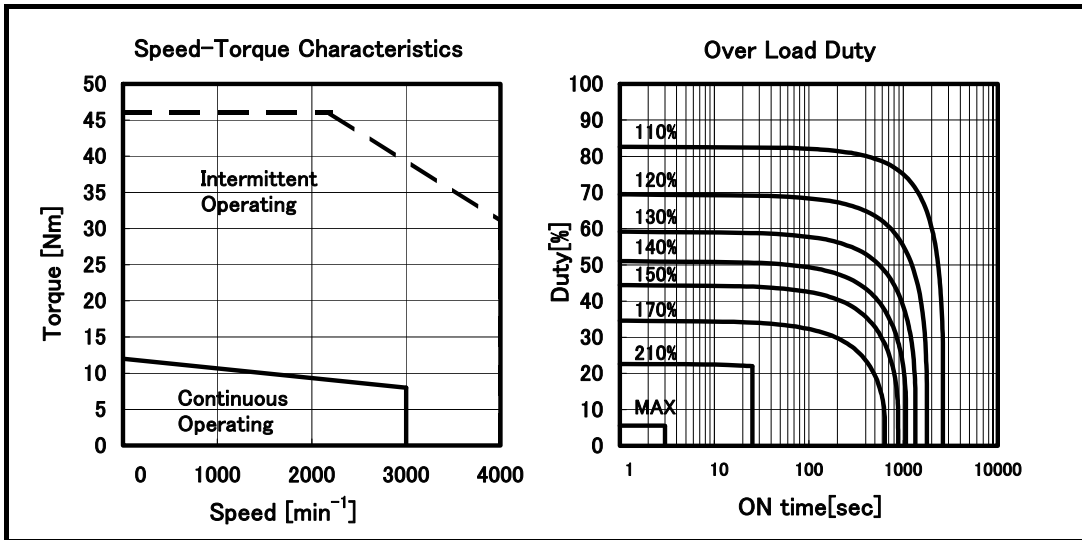
Data sheet

Parameter	Symbol	Value	Unit
Stall Torque (*)	Ts	8.0	Nm
		82	kgfcm
Stall Current (*)	Is	9.0	A (rms)
Rated Output (*)	Pr	2.2	kW
		3.0	HP
Rating Speed	Nr	6000	min^{-1}
Maximum Speed	Nmax	6000	min^{-1}
Maximum Torque (*)	Tmax	22	Nm
		224	kgfcm
Rotor Inertia	Jm	0.00117	kgm^2
		0.0119	kgfcm s^2
Rotor Inertia (with Brake)	Jm	0.00124	kgm^2
		0.0127	kgfcm s^2
Torque constant (*)	Kt	0.89	Nm/A (rms)
		9.1	kgfcm/A (rms)
Back EMF constant (1 phase) (*)	Ke	31	V (rms)/1000 min^{-1}
		Kv	0.30
Armature Resistance (1 phase) (*)	Ra	0.50	Ω
Mechanical time constant	tm	0.002	s
Thermal time constant	tt	20	min
Static friction	Tf	0.3	Nm
		3	kgfcm
Weight	w	8.0	kg
Weight (with Brake)	w	10.0	kg
Max. Current of Servo Amp.	Imax	40	A (peak)

(*) The values are the standard values at 20°C and the tolerance is $\pm 10\%$.
 The speed-torque characteristics vary depending on the type of software, parameter setting, and input voltage of the digital servo software. (The above figures show average values.)

Model αi S 12/4000 HV

Specification A06B-0239-B□□□



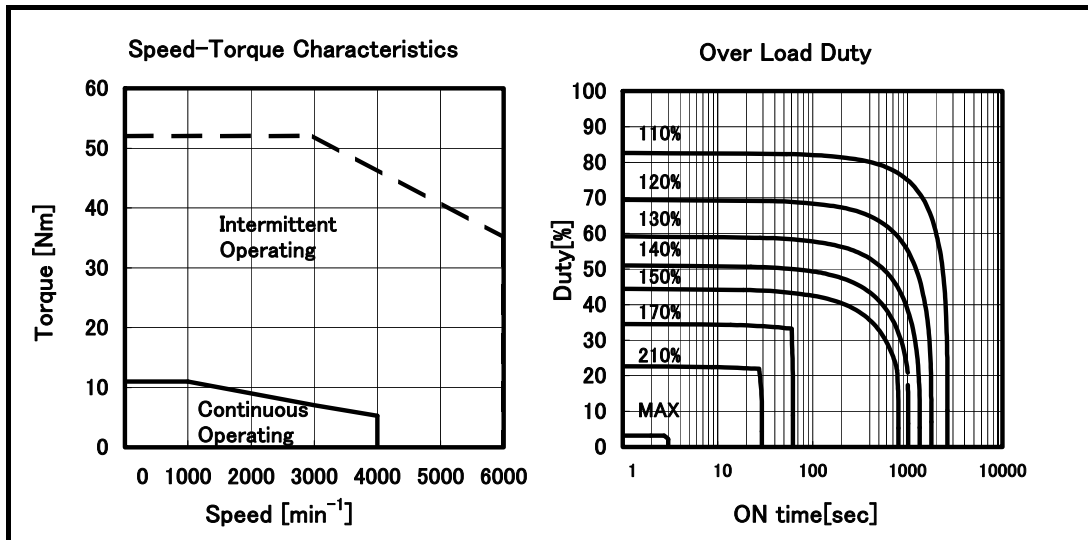
Data sheet

Parameter	Symbol	Value	Unit
Stall Torque (*)	Ts	12	Nm
		122	kgfcm
Stall Current (*)	Is	6.7	A (rms)
Rated Output (*)	Pr	2.5	kW
		3.4	HP
Rating Speed	Nr	3000	min^{-1}
Maximum Speed	Nmax	4000	min^{-1}
Maximum Torque (*)	Tmax	46	Nm
		469	kgfcm
Rotor Inertia	Jm	0.00228	kgm^2
		0.0233	kgfcm s^2
Rotor Inertia (with Brake)	Jm	0.00235	kgm^2
		0.0240	kgfcm s^2
Torque constant (*)	Kt	1.80	Nm/A (rms)
		18.4	kgfcm/A (rms)
Back EMF constant (1 phase) (*)	Ke	63	V (rms)/1000 min^{-1}
		Kv	0.60
Armature Resistance (1 phase) (*)	Ra	0.84	Ω
Mechanical time constant	tm	0.002	s
Thermal time constant	tt	25	min
Static friction	Tf	0.3	Nm
		3	kgfcm
Weight	w	11.9	kg
Weight (with Brake)	w	14.1	kg
Max. Current of Servo Amp.	Imax	40	A (peak)

(*) The values are the standard values at 20°C and the tolerance is $\pm 10\%$.
 The speed-torque characteristics vary depending on the type of software, parameter setting, and input voltage of the digital servo software. (The above figures show average values.)

Model αi S 12/6000 HV

Specification A06B-0237-B□□□



Data sheet

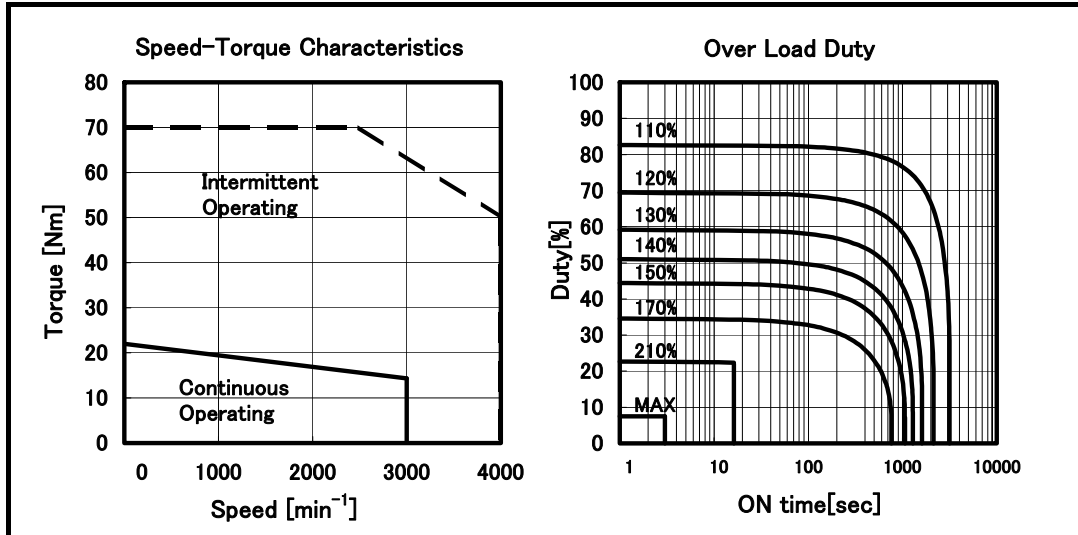
Parameter	Symbol	Value		Unit
Stall Torque (*)	Ts	11		Nm
		112		kgfcm
Stall Current (*)	Is	10.2		A (rms)
Rated Output (*)	Pr	2.2		kW
		3.0		HP
Rating Speed	Nr	4000		min ⁻¹
Maximum Speed	Nmax	6000		min ⁻¹
Maximum Torque (*)	Tmax	52		Nm
		531		kgfcm
Rotor Inertia	Jm	0.00228		kgm ²
		0.0233		kgfcm ²
Rotor Inertia	Jm	0.00235		kgm ²
		0.0240		kgfcm ²
Torque constant (*)	Kt	1.08		Nm/A (rms)
		11.0		kgfcm/A (rms)
Back EMF constant (1 phase) (*)	Ke	38		V (rms)/1000 min ⁻¹
		0.36		V (rms)sec/rad
Armature Resistance (1 phase) (*)	Ra	0.26		Ω
Mechanical time constant	tm	0.002		s
Thermal time constant	tt	25		min
Static friction	Tf	0.3		Nm
		3		kgfcm
Weight	w	11.9		kg
Weight	w	14.1		kg
Max. Current of Servo Amp.	Imax	80		A (peak)

(*) The values are the standard values at 20°C and the tolerance is ±10%.

The speed-torque characteristics vary depending on the type of software, parameter setting, and input voltage of the digital servo software. (The above figures show average values.)

Model αi S 22/4000 HV

Specification A06B-0266-B□0□



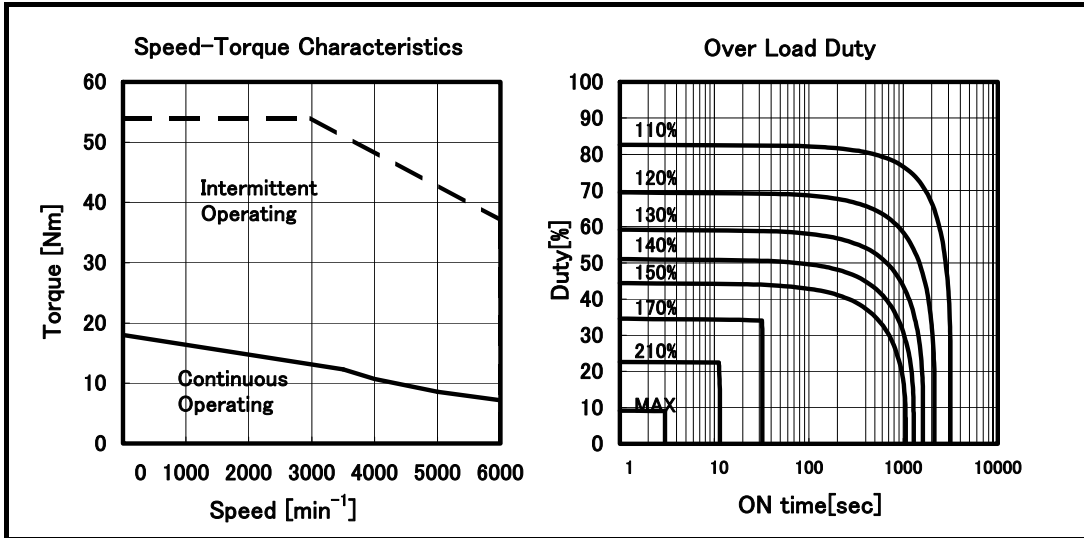
Data sheet

Parameter	Symbol	Value	Unit
Stall Torque (*)	Ts	22	Nm
		224	kgfcm
Stall Current (*)	Is	15.5	A (rms)
Rated Output (*)	Pr	4.5	kW
		6.0	HP
Rating Speed	Nr	3000	min^{-1}
Maximum Speed	Nmax	4000	min^{-1}
Maximum Torque (*)	Tmax	70	Nm
		714	kgfcm
Rotor Inertia	Jm	0.00527	kgm^2
		0.0538	kgfcm s^2
Rotor Inertia (with Brake)	Jm	0.00587	kgm^2
		0.0599	kgfcm s^2
Torque constant (*)	Kt	1.42	Nm/A (rms)
		14.5	kgfcm/A (rms)
Back EMF constant (1 phase) (*)	Ke	50	V (rms)/1000 min^{-1}
		Kv	0.47
Armature Resistance (1 phase) (*)	Ra	0.25	Ω
Mechanical time constant	tm	0.002	s
Thermal time constant	tt	30	min
Static friction	Tf	0.8	Nm
		8	kgfcm
Weight	w	17	kg
Weight (with Brake)	w	23	kg
Max. Current of Servo Amp.	Imax	80	A (peak)

(*) The values are the standard values at 20°C and the tolerance is $\pm 10\%$.
 The speed-torque characteristics very depending on the type of software, parameter setting, and input voltage of the digital servo software. (The above figures show average values.)

Model αi S 22/6000HV

Specification A06B-0263-B□□□



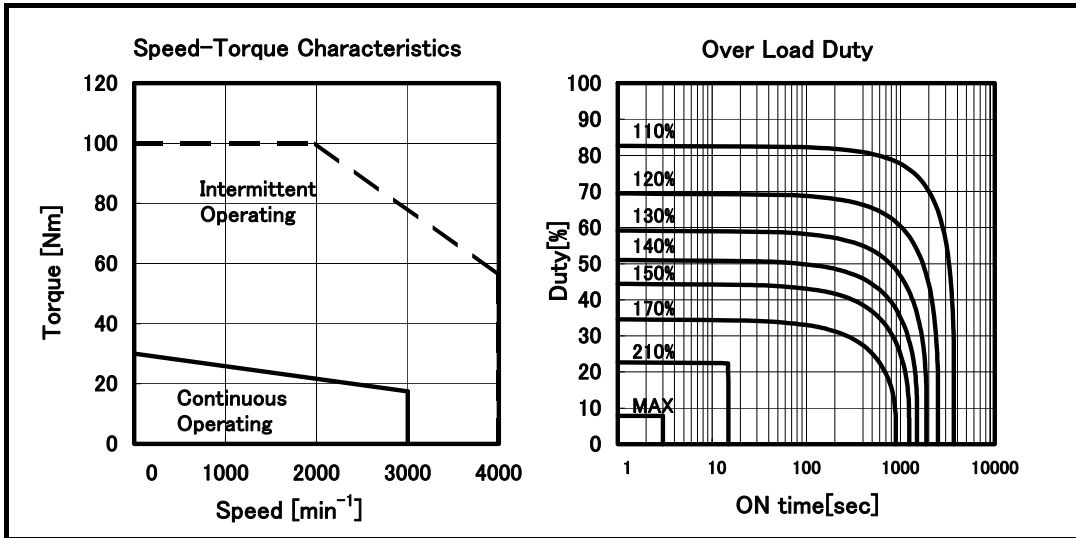
Data sheet

Parameter	Symbol	Value	Unit
Stall Torque (*)	Ts	18	Nm
		184	kgfcm
Stall Current (*)	Is	17.1	A (rms)
Rated Output (*)	Pr	4.5	kW
		6.0	HP
Rating Speed	Nr	6000	min^{-1}
Maximum Speed	Nmax	6000	min^{-1}
Maximum Torque (*)	Tmax	54	Nm
		551	kgfcm
Rotor Inertia	Jm	0.00527	kgm^2
		0.0538	kgfcm s^2
Rotor Inertia (with Brake)	Jm	0.00587	kgm^2
		0.0599	kgfcm s^2
Torque constant (*)	Kt	1.06	Nm/A (rms)
		10.8	kgfcm/A (rms)
Back EMF constant (1 phase) (*)	Ke	37	V (rms)/1000 min^{-1}
		Kv	0.35
Armature Resistance (1 phase) (*)	Ra	0.16	Ω
Mechanical time constant	tm	0.002	s
Thermal time constant	tt	30	min
Static friction	Tf	0.8	Nm
		8	kgfcm
Weight	w	17	kg
Weight (with Brake)	w	23	kg
Max. Current of Servo Amp.	Imax	80	A (peak)

(*) The values are the standard values at 20°C and the tolerance is $\pm 10\%$.
 The speed-torque characteristics vary depending on the type of software, parameter setting, and input voltage of the digital servo software. (The above figures show average values.)

Model αi S 30/4000 HV

Specification A06B-0269-B□□□



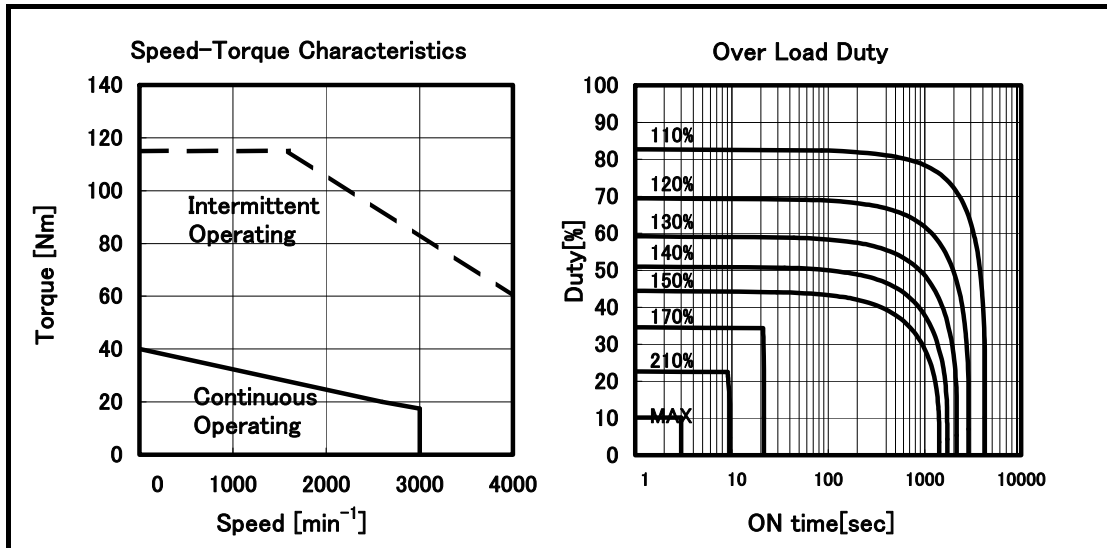
Data sheet

Parameter	Symbol	Value	Unit
Stall Torque (*)	Ts	30	Nm
		306	kgfcm
Stall Current (*)	Is	15.9	A (rms)
Rated Output (*)	Pr	5.5	kW
		7.4	HP
Rating Speed	Nr	3000	min^{-1}
Maximum Speed	Nmax	4000	min^{-1}
Maximum Torque (*)	Tmax	100	Nm
		1020	kgfcm
Rotor Inertia	Jm	0.00759	kgm^2
		0.0774	kgfcm s^2
Rotor Inertia (with Brake)	Jm	0.00819	kgm^2
		0.0836	kgfcm s^2
Torque constant (*)	Kt	1.90	Nm/A (rms)
		19.4	kgfcm/A (rms)
Back EMF constant (1 phase) (*)	Ke	66	V (rms)/1000 min^{-1}
		0.63	V (rms)sec/rad
Armature Resistance (1 phase) (*)	Ra	0.25	Ω
Mechanical time constant	tm	0.002	s
Thermal time constant	tt	35	min
Static friction	Tf	0.8	Nm
		8	kgfcm
Weight	w	23	kg
Weight (with Brake)	w	29	kg
Max. Current of Servo Amp.	Imax	80	A (peak)

(*) The values are the standard values at 20°C and the tolerance is $\pm 10\%$.
 The speed-torque characteristics vary depending on the type of software, parameter setting, and input voltage of the digital servo software. (The above figures show average values.)

Model αi S 40/4000 HV

Specification A06B-0273-B□0□□,-B□2□



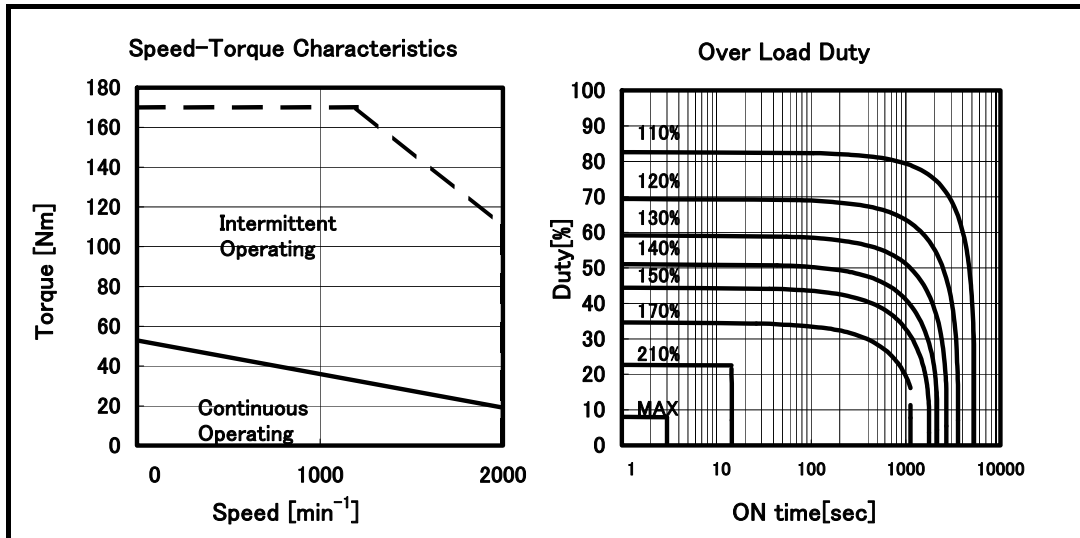
Data sheet

Parameter	Symbol	Value	Unit
Stall Torque (*)	Ts	40	Nm
		408	kgfcm
Stall Current (*)	Is	18.1	A (rms)
Rated Output (*)	Pr	5.5	kW
		7.4	HP
Rating Speed	Nr	3000	min^{-1}
Maximum Speed	Nmax	4000	min^{-1}
Maximum Torque (*)	Tmax	115	Nm
		1170	kgfcm
Rotor Inertia	Jm	0.00990	kgm^2
		0.101	kgfcm s^2
Rotor Inertia(with 35Nm Brake)	Jm	0.0105	kgm^2
		0.107	kgfcm s^2
Torque constant (*)	Kt	2.21	Nm/A (rms)
		22.6	kgfcm/A (rms)
Back EMF constant (1 phase) (*)	Ke	77	V (rms)/1000 min^{-1}
		0.74	V (rms)sec/rad
Armature Resistance (1 phase) (*)	Ra	0.23	Ω
Mechanical time constant	tm	0.001	s
Thermal time constant	tt	40	min
Static friction	Tf	1.2	Nm
		12	kgfcm
Weight	w	28	kg
Weight(with 35Nm Brake)	w	34	kg
Max. Current of Servo Amp.	Imax	80	A (peak)

(*) The values are the standard values at 20°C and the tolerance is $\pm 10\%$.
 The speed-torque characteristics vary depending on the type of software, parameter setting, and input voltage of the digital servo software. (The above figures show average values.)

Model αi S 50/2000 HV

Specification A06B-0043-B□□□,-B□□□



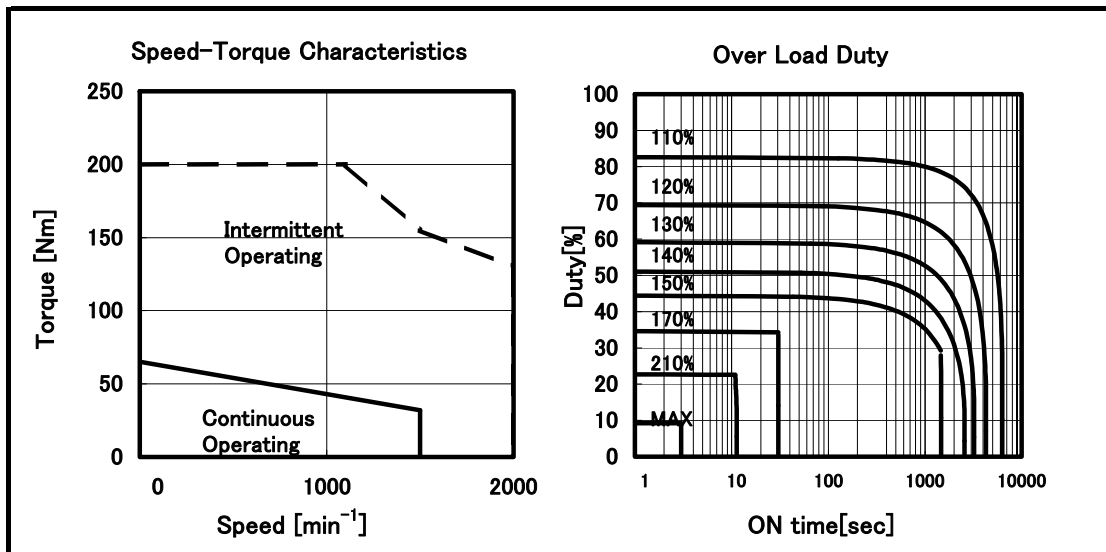
Data sheet

Parameter	Symbol	Value	Unit
Stall Torque (*)	Ts	53	Nm
		541	kgfcm
Stall Current (*)	Is	16.0	A (rms)
Rated Output (*)	Pr	4.0	kW
		5.4	HP
Rating Speed	Nr	2000	min^{-1}
Maximum Speed	Nmax	2000	min^{-1}
Maximum Torque (*)	Tmax	170	Nm
		1730	kgfcm
Rotor Inertia	Jm	0.0145	kgm^2
		0.148	kgfcm^2
Rotor Inertia(with 70Nm Brake)	Jm	0.0154	kgm^2
		0.157	kgfcm^2
Torque constant (*)	Kt	3.3	Nm/A (rms)
		34	kgfcm/A (rms)
Back EMF constant (1 phase) (*)	Ke	115	V (rms)/1000 min^{-1}
		Kv	1.1
Armature Resistance (1 phase) (*)	Ra	0.31	Ω
Mechanical time constant	tm	0.001	s
Thermal time constant	tt	50	min
Static friction	Tf	1.8	Nm
		18	kgfcm
Weight	w	39	kg
Weight(with 70Nm Brake)	w	49	kg
Max. Current of Servo Amp.	Imax	80	A (peak)

(*) The values are the standard values at 20°C and the tolerance is $\pm 10\%$.
 The speed-torque characteristics vary depending on the type of software, parameter setting, and input voltage of the digital servo software. (The above figures show average values.)

Model αi S 60/2000HV

Specification A06B-0045-B□0□,-B□2□



Data sheet

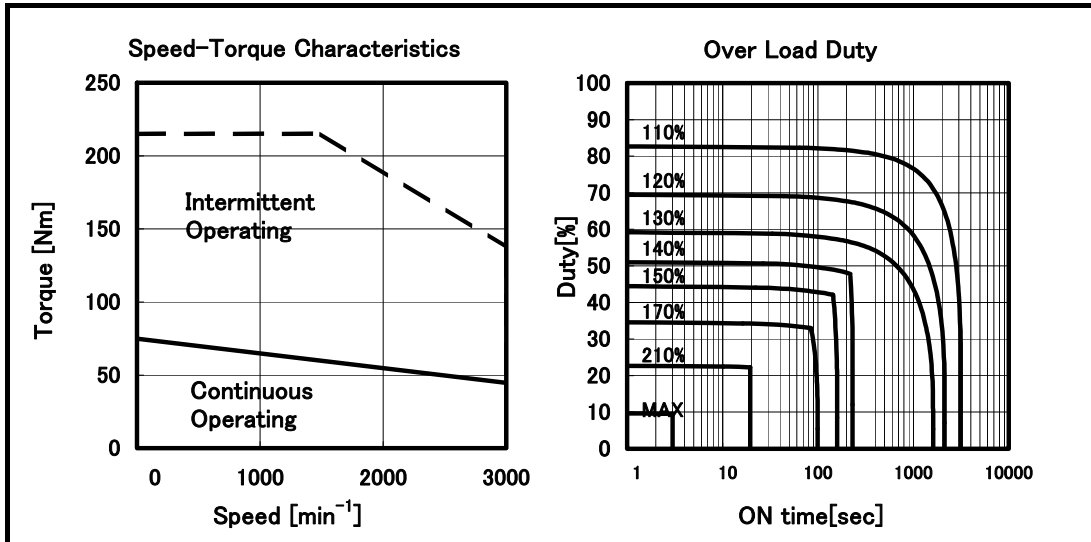
Parameter	Symbol	Value	Unit
Stall Torque (*)	T_s	65	Nm
		663	kgfcm
Stall Current (*)	I_s	17.2	A (rms)
Rated Output (*)	P_r	5.0	kW
		6.7	HP
Rating Speed	N_r	1500	min^{-1}
Maximum Speed	N_{max}	2000	min^{-1}
Maximum Torque (*)	T_{max}	200	Nm
		2040	kgfcm
Rotor Inertia	J_m	0.0195	kgm^2
		0.199	kgfcm s^2
Rotor Inertia(with 70Nm Brake)	J_m	0.0204	kgm^2
		0.208	kgfcm s^2
Torque constant (*)	K_t	3.8	Nm/A (rms)
		39	kgfcm/A (rms)
Back EMF constant (1 phase) (*)	K_e	132	V (rms)/1000 min^{-1}
		1.3	V (rms)sec/rad
Armature Resistance (1 phase) (*)	R_a	0.30	Ω
Mechanical time constant	t_m	0.001	s
Thermal time constant	t_t	60	min
Static friction	T_f	1.8	Nm
		18	kgfcm
Weight	w	50	kg
Weight(with 70Nm Brake)	w	60	kg
Max. Current of Servo Amp.	I_{max}	80	A (peak)

(*) The values are the standard values at 20°C and the tolerance is $\pm 10\%$.

The speed-torque characteristics very depending on the type of software, parameter setting, and input voltage of the digital servo software. (The above figures show average values.)

Model αi S 50/3000 HV with Fan

Specification A06B-0276-B□1□,-B□3□



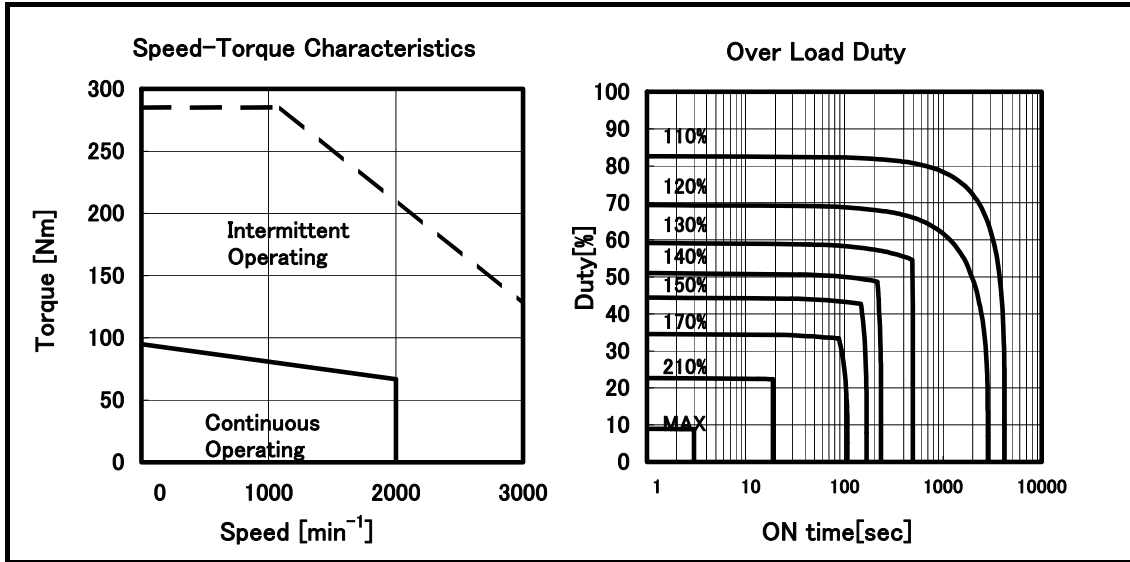
Data sheet

Parameter	Symbol	Value	Unit
Stall Torque (*)	Ts	75	Nm
		765	kgfcm
Stall Current (*)	Is	40	A (rms)
Rated Output (*)	Pr	14	kW
		19	HP
Rating Speed	Nr	3000	min^{-1}
Maximum Speed	Nmax	3000	min^{-1}
Maximum Torque (*)	Tmax	215	Nm
		2190	kgfcm
Rotor Inertia	Jm	0.0145	kgm^2
		0.148	kgfcm s^2
Rotor Inertia(with 70Nm Brake)	Jm	0.0154	kgm^2
		0.157	kgfcm s^2
Torque constant (*)	Kt	1.90	Nm/A (rms)
		19.4	kgfcm/A (rms)
Back EMF constant (1 phase) (*)	Ke	66	V (rms)/1000 min^{-1}
		Kv	0.63
Armature Resistance (1 phase) (*)	Ra	0.10	Ω
Mechanical time constant	tm	0.001	s
Thermal time constant	tt	30	min
Static friction	Tf	1.8	Nm
		18	kgfcm
Weight	w	42	kg
Weight(with 70Nm Brake)	w	52	kg
Max. Current of Servo Amp.	Imax	180	A (peak)

(*) The values are the standard values at 20°C and the tolerance is $\pm 10\%$.
 The speed-torque characteristics vary depending on the type of software, parameter setting, and input voltage of the digital servo software. (The above figures show average values.)

Model αi S 60/3000 HV with Fan

Specification A06B-0279-B□1□,-B□3□



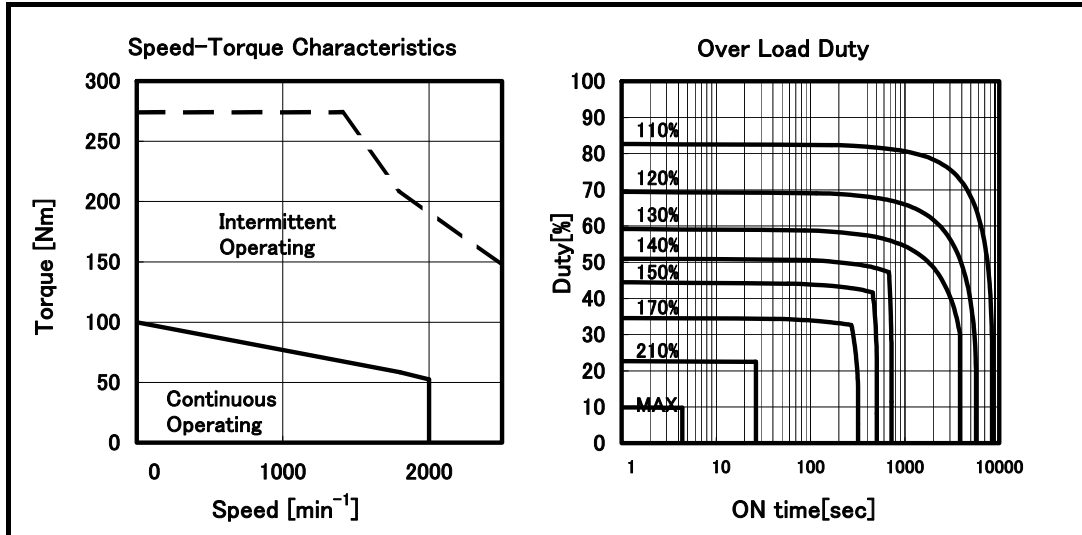
Data sheet

Parameter	Symbol	Value	Unit
Stall Torque (*)	Ts	95	Nm
		969	kgfcm
Stall Current (*)	Is	38	A (rms)
Rated Output (*)	Pr	14	kW
		19	HP
Rating Speed	Nr	2000	min^{-1}
Maximum Speed	Nmax	3000	min^{-1}
Maximum Torque (*)	Tmax	285	Nm
		2910	kgfcm
Rotor Inertia	Jm	0.0195	kgm^2
		0.199	kgfcm 2
Rotor Inertia(with 70Nm Brake)	Jm	0.0204	kgm^2
		0.208	kgfcm 2
Torque constant (*)	Kt	2.52	Nm/A (rms)
		25.7	kgfcm/A (rms)
Back EMF constant (1 phase) (*)	Ke	88	V (rms)/1000 min^{-1}
		0.84	V (rms)sec/rad
Armature Resistance (1 phase) (*)	Ra	0.13	Ω
Mechanical time constant	tm	0.001	s
Thermal time constant	tt	40	min
Static friction	Tf	1.8	Nm
		18	kgfcm
Weight	w	53	kg
Weight(with 70Nm Brake)	w	63	kg
Max. Current of Servo Amp.	Imax	180	A (peak)

(*) The values are the standard values at 20°C and the tolerance is $\pm 10\%$.
 The speed-torque characteristics vary depending on the type of software, parameter setting, and input voltage of the digital servo software. (The above figures show average values.)

Model α i S 100/2500 HV

Specification A06B-0286-B□00



Data sheet

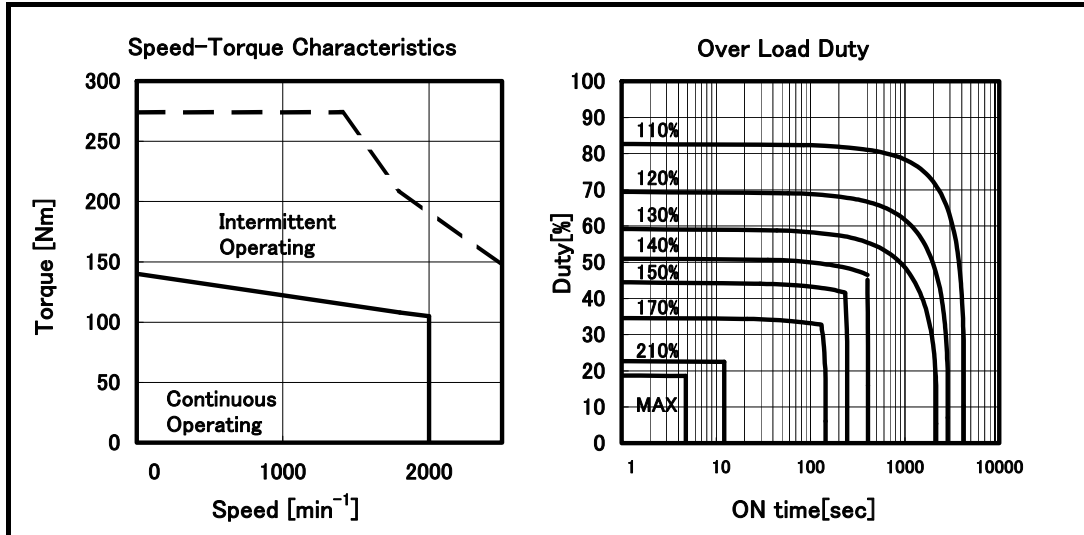
Parameter	Symbol	Value	Unit
Stall Torque (*)	Ts	100	Nm
		1020	kgfcm
Stall Current (*)	Is	40	A (rms)
Rated Output (*)	Pr	11	kW
		15	HP
Rating Speed	Nr	2000	min^{-1}
Maximum Speed	Nmax	2500	min^{-1}
Maximum Torque (*)	Tmax	274	Nm
		2800	kgfcm
Rotor Inertia	Jm	0.0252	kgm^2
		0.257	kgfcm^2
Rotor Inertia(with Brake)	Jm	0.0262	kgm^2
		0.267	kgfcm^2
Torque constant (*)	Kt	2.53	Nm/A (rms)
		25.8	kgfcm/A (rms)
Back EMF constant (1 phase) (*)	Ke	88	V (rms)/1000 min^{-1}
		0.84	V (rms)sec/rad
Armature Resistance (1 phase) (*)	Ra	0.052	Ω
Mechanical time constant	tm	0.0006	s
Thermal time constant	tt	80	min
Static friction	Tf	2.2	Nm
		22	kgfcm
Weight	w	95	kg
Weight(with Brake)	w	110	kg
Max. Current of Servo Amp.	Imax	180	A (peak)

(*) The values are the standard values at 20°C and the tolerance is $\pm 10\%$.

The speed-torque characteristics very depending on the type of software, parameter setting, and input voltage of the digital servo software. (The above figures show average values.)

Model αi S 100/2500HV with Fan

Specification A06B-0286-B□10



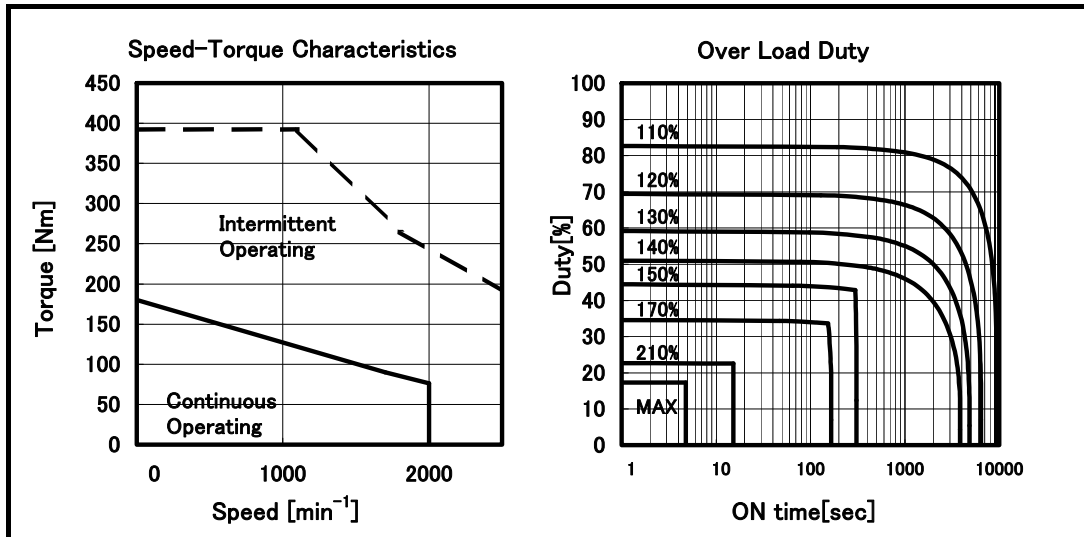
Data sheet

Parameter	Symbol	Value	Unit
Stall Torque (*)	Ts	140	Nm
		1430	kgfcm
Stall Current (*)	Is	55	A (rms)
Rated Output (*)	Pr	22	kW
		30	HP
Rating Speed	Nr	2000	min^{-1}
Maximum Speed	Nmax	2500	min^{-1}
Maximum Torque (*)	Tmax	274	Nm
		2800	kgfcm
Rotor Inertia	Jm	0.0252	kgm^2
		0.257	kgfcm^2
Rotor Inertia(with Brake)	Jm	0.0262	kgm^2
		0.267	kgfcm^2
Torque constant (*)	Kt	2.53	Nm/A (rms)
		25.8	kgfcm/A (rms)
Back EMF constant (1 phase) (*)	Ke	88	V (rms)/1000 min^{-1}
		0.84	V (rms)sec/rad
Armature Resistance (1 phase) (*)	Ra	0.052	Ω
Mechanical time constant	tm	0.0006	s
Thermal time constant	tt	40	min
Static friction	Tf	2.2	Nm
		22	kgfcm
Weight	w	100	kg
Weight(with Brake)	w	115	kg
Max. Current of Servo Amp.	Imax	180	A (peak)

(*) The values are the standard values at 20°C and the tolerance is $\pm 10\%$.
 The speed-torque characteristics very depending on the type of software, parameter setting, and input voltage of the digital servo software. (The above figures show average values.)

Model α i S 200/2500 HV

Specification A06B-0289-B□00



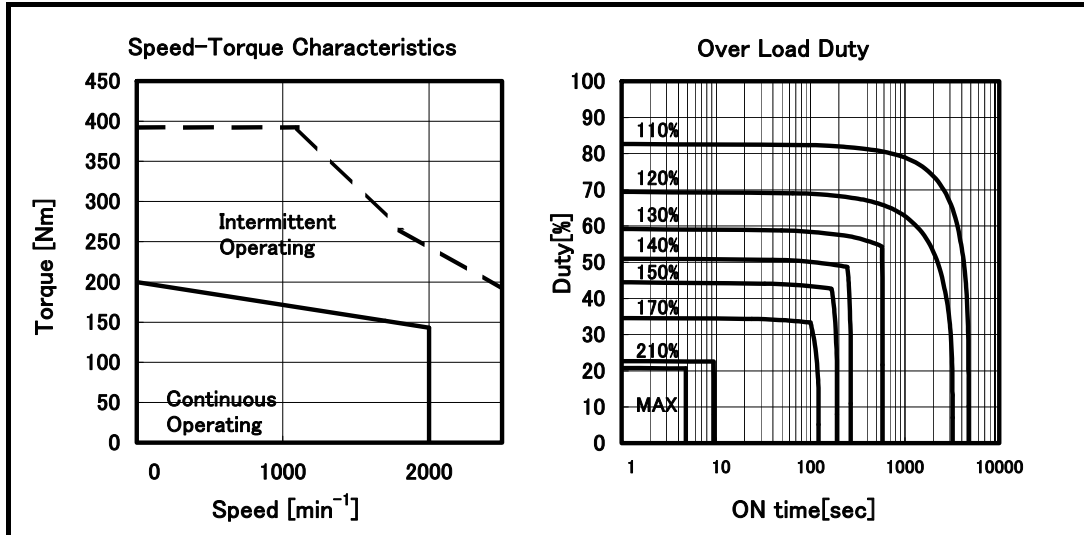
Data sheet

Parameter	Symbol	Value		Unit
Stall Torque (*)	Ts	180		Nm
		1840		kgfcm
Stall Current (*)	Is	53		A (rms)
Rated Output (*)	Pr	16		kW
		21		HP
Rating Speed	Nr	2000		min^{-1}
Maximum Speed	Nmax	2500		min^{-1}
Maximum Torque (*)	Tmax	392		Nm
		4000		kgfcm
Rotor Inertia	Jm	0.0431		kgm^2
		0.440		kgfcm^2
Rotor Inertia(with Brake)	Jm	0.0441		kgm^2
		0.450		kgfcm^2
Torque constant (*)	Kt	3.4		Nm/A (rms)
		35		kgfcm/A (rms)
Back EMF constant (1 phase) (*)	Ke	119		V (rms)/1000 min^{-1}
		1.1		V (rms)sec/rad
Armature Resistance (1 phase) (*)	Ra	0.046		Ω
Mechanical time constant	tm	0.0005		s
Thermal time constant	tt	90		min
Static friction	Tf	2.2		Nm
		22		kgfcm
Weight	w	140		kg
Weight(with Brake)	w	155		kg
Max. Current of Servo Amp.	Imax	180		A (peak)

(*) The values are the standard values at 20°C and the tolerance is $\pm 10\%$.
 The speed-torque characteristics very depending on the type of software, parameter setting, and input voltage of the digital servo software. (The above figures show average values.)

Model αi S 200/2500HV with Fan

Specification A06B-0289-B□10



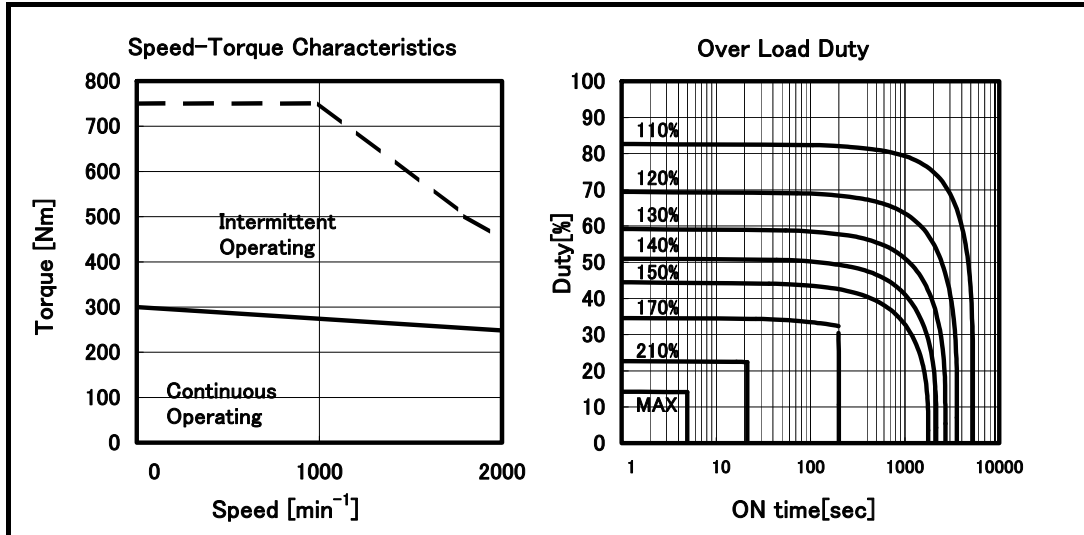
Data sheet

Parameter	Symbol	Value	Unit
Stall Torque (*)	Ts	200	Nm
		2040	kgfcm
Stall Current (*)	Is	58	A (rms)
Rated Output (*)	Pr	30	kW
		40	HP
Rating Speed	Nr	2000	min^{-1}
Maximum Speed	Nmax	2500	min^{-1}
Maximum Torque (*)	Tmax	392	Nm
		4000	kgfcm
Rotor Inertia	Jm	0.0431	kgm^2
		0.440	kgfcm^2
Rotor Inertia(with Brake)	Jm	0.0441	kgm^2
		0.450	kgfcm^2
Torque constant (*)	Kt	3.4	Nm/A (rms)
		35	kgfcm/A (rms)
Back EMF constant (1 phase) (*)	Ke	119	V (rms)/1000 min^{-1}
		1.1	V (rms)sec/rad
Armature Resistance (1 phase) (*)	Ra	0.046	Ω
Mechanical time constant	tm	0.0005	s
Thermal time constant	tt	45	min
Static friction	Tf	2.2	Nm
		22	kgfcm
Weight	w	145	kg
Weight(with Brake)	w	160	kg
Max. Current of Servo Amp.	Imax	180	A (peak)

(*) The values are the standard values at 20°C and the tolerance is $\pm 10\%$.
 The speed-torque characteristics very depending on the type of software, parameter setting, and input voltage of the digital servo software. (The above figures show average values.)

Model *αi* S 300/2000 HV

Specification A06B-0293-B□10



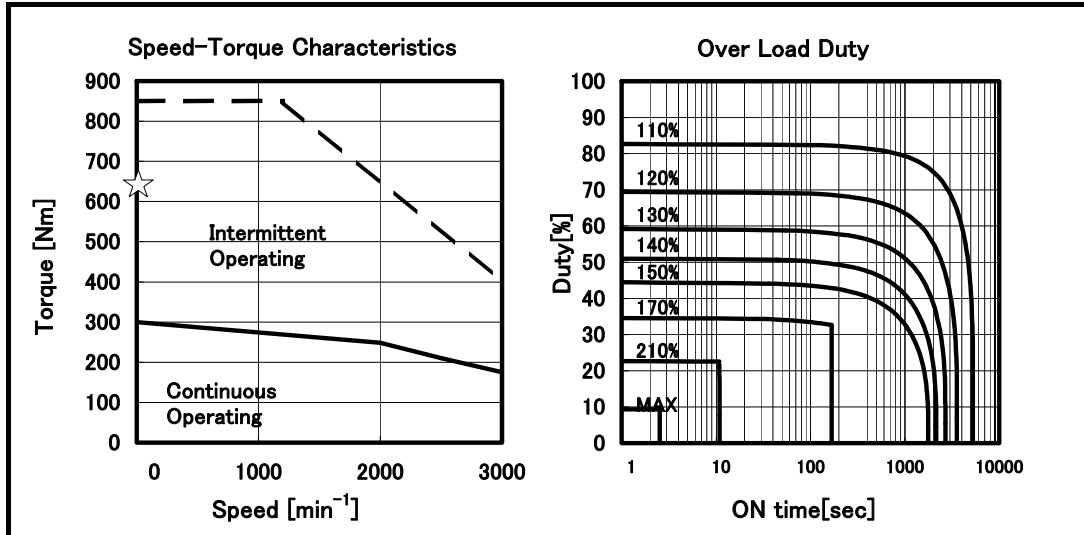
Data sheet

Parameter	Symbol	Value	Unit
Stall Torque (*)	Ts	300	Nm
		3060	kgfcm
Stall Current (*)	Is	96	A (rms)
Rated Output (*)	Pr	52	kW
		70	HP
Rating Speed	Nr	2000	min^{-1}
Maximum Speed	Nmax	2000	min^{-1}
Maximum Torque (*)	Tmax	750	Nm
		7650	kgfcm
Rotor Inertia	Jm	0.0787	kgm^2
		0.803	kgfcm^2
Rotor Inertia(with Brake)	Jm	-	kgm^2
		-	kgfcm^2
Torque constant (*)	Kt	3.1	Nm/A (rms)
		32	kgfcm/A (rms)
Back EMF constant (1 phase) (*)	Ke	109	V (rms)/1000 min^{-1}
		1.0	V (rms)sec/rad
Armature Resistance (1 phase) (*)	Ra	0.048	Ω
Mechanical time constant	tm	0.001	s
Thermal time constant	tt	50	min
Static friction	Tf	4.0	Nm
		41	kgfcm
Weight	w	180	kg
Weight(with Brake)	w	-	kg
Max. Current of Servo Amp.	Imax	360	A (peak)

(*) The values are the standard values at 20°C and the tolerance is $\pm 10\%$.
 The speed-torque characteristics very depending on the type of software, parameter setting, and input voltage of the digital servo software. (The above figures show average values.)

Model *αi* S 300/3000 HV

Specification A06B-0290-B□10



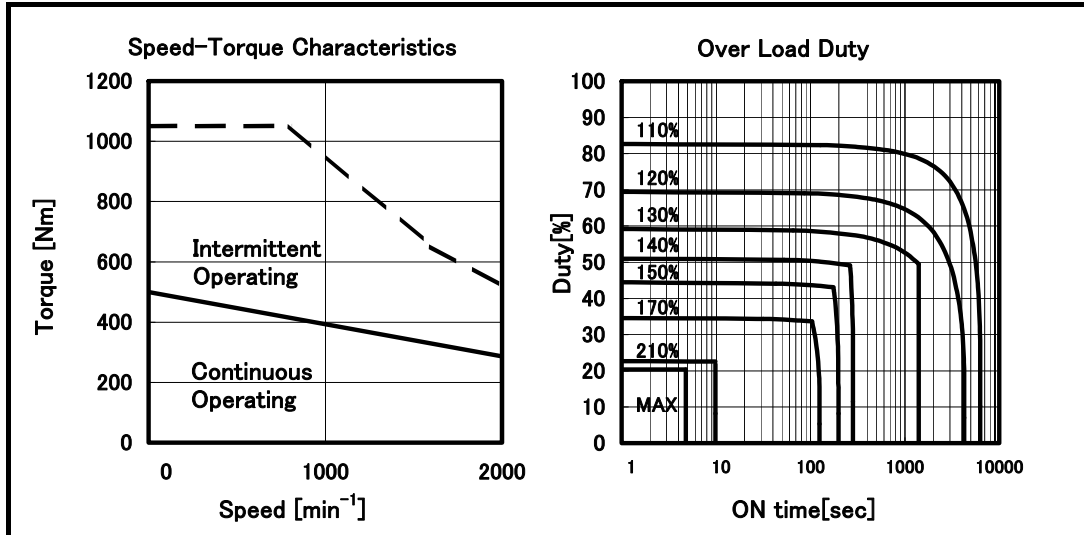
Data sheet

Parameter	Symbol	Value	Unit
Stall Torque (*)	Ts	300	Nm
		3060	kgfcm
Stall Current (*)	Is	117	A (rms)
Rated Output (*)	Pr	55	kW
		74	HP
Rating Speed	Nr	2500	min^{-1}
Maximum Speed	Nmax	3000	min^{-1}
Maximum Torque (*)	Tmax	850	Nm
		8670	kgfcm
Rotor Inertia	Jm	0.0787	kgm^2
		0.803	kgfcm^2
Rotor Inertia	Jm	-	kgm^2
		-	kgfcm^2
Torque constant (*)	Kt	2.57	Nm/A (rms)
		26.2	kgfcm/A (rms)
Back EMF constant (1 phase) (*)	Ke	90	V (rms)/1000 min^{-1}
		0.86	V (rms)sec/rad
Armature Resistance (1 phase) (*)	Ra	0.029	Ω
Mechanical time constant	tm	0.001	s
Thermal time constant	tt	50	min
Static friction	Tf	4.0	Nm
		41	kgfcm
Weight	w	180	kg
Weight	w	-	kg
Max. Current of Servo Amp.	Imax	540	A (peak)

(*) The values are the standard values at 20°C and the tolerance is $\pm 10\%$.
 The speed-torque characteristics very depending on the type of software, parameter setting, and input voltage of the digital servo software. (The above figures show average values.)
 Max torque is limited by 630Nm at under 20rpm.

Model α i S 500/2000 HV

Specification A06B-0296-B□10



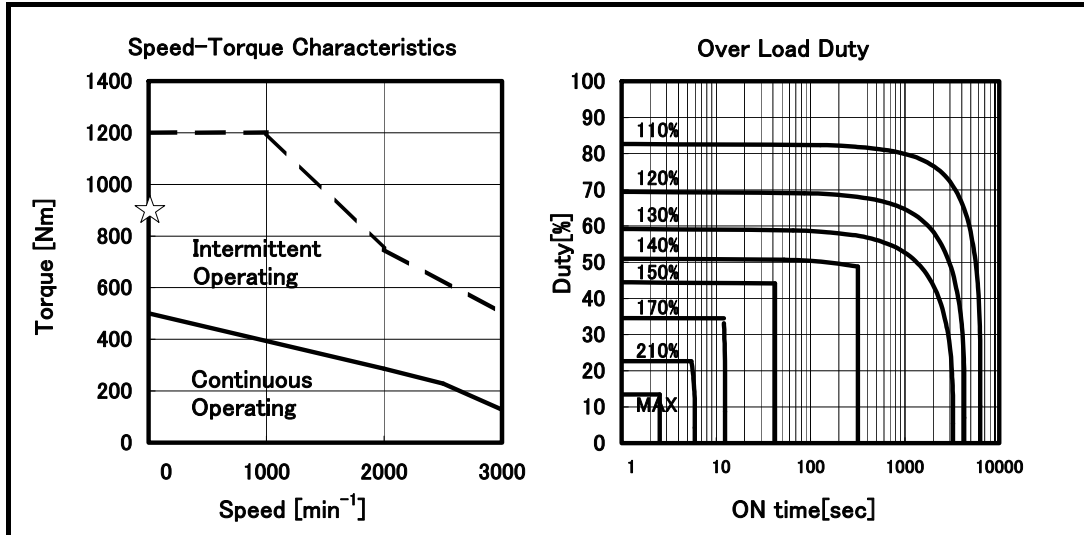
Data sheet

Parameter	Symbol	Value	Unit
Stall Torque (*)	Ts	500	Nm
		5100	kgfcm
Stall Current (*)	Is	115	A (rms)
Rated Output (*)	Pr	60	kW
		80	HP
Rating Speed	Nr	2000	min^{-1}
Maximum Speed	Nmax	2000	min^{-1}
Maximum Torque (*)	Tmax	1050	Nm
		10700	kgfcm
Rotor Inertia	Jm	0.127	kgm^2
		1.30	kgfcm^2
Rotor Inertia(with Brake)	Jm	-	kgm^2
		-	kgfcm^2
Torque constant (*)	Kt	4.3	Nm/A (rms)
		44	kgfcm/A (rms)
Back EMF constant (1 phase) (*)	Ke	151	V (rms)/1000 min^{-1}
		1.4	V (rms)sec/rad
Armature Resistance (1 phase) (*)	Ra	0.050	Ω
Mechanical time constant	tm	0.001	s
Thermal time constant	tt	60	min
Static friction	Tf	4.0	Nm
		41	kgfcm
Weight	w	240	kg
Weight(with Brake)	w	-	kg
Max. Current of Servo Amp.	Imax	360	A (peak)

(*) The values are the standard values at 20°C and the tolerance is $\pm 10\%$.
 The speed-torque characteristics very depending on the type of software, parameter setting, and input voltage of the digital servo software. (The above figures show average values.)

Model α i S 500/3000 HV

Specification A06B-0297-B□10



Data sheet

Parameter	Symbol	Value		Unit
Stall Torque (*)	Ts	500		Nm
		5100		kgfcm
Stall Current (*)	Is	140		A (rms)
Rated Output (*)	Pr	60		kW
		80		HP
Rating Speed	Nr	2000		min ⁻¹
Maximum Speed	Nmax	3000		min ⁻¹
Maximum Torque (*)	Tmax	1200		Nm
		12200		kgfcm
Rotor Inertia	Jm	0.127		kgm ²
		1.30		kgfcms ²
Rotor Inertia(with Brake)	Jm	-		kgm ²
		-		kgfcms ²
Torque constant (*)	Kt	3.5		Nm/A (rms)
		36		kgfcm/A (rms)
Back EMF constant (1 phase) (*)	Ke	121		V (rms)/1000 min ⁻¹
		Kv	1.2	
Armature Resistance (1 phase) (*)	Ra	0.026		Ω
Mechanical time constant	tm	0.0008		s
Thermal time constant	tt	60		min
Static friction	Tf	4.0		Nm
		41		kgfcm
Weight	w	240		kg
Weight(with Brake)	w	-		kg
Max. Current of Servo Amp.	Imax	540		A (peak)

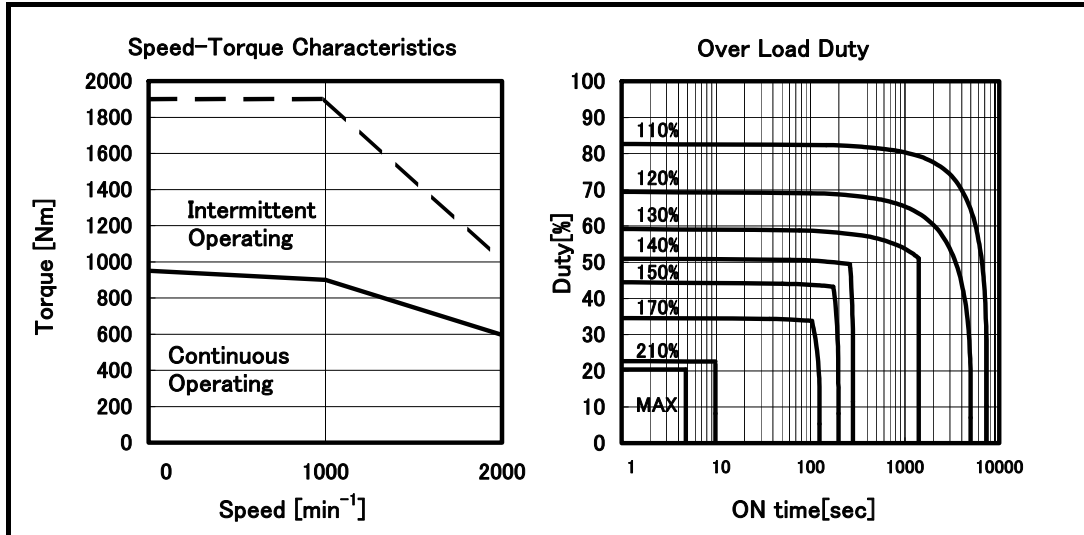
(*) The values are the standard values at 20°C and the tolerance is ±10%.

The speed-torque characteristics very depending on the type of software, parameter setting, and input voltage of the digital servo software. (The above figures show average values.)

Max torque is limited by 900Nm at under 20rpm.

Model α i S 1000/2000 HV

Specification A06B-0098-B□10



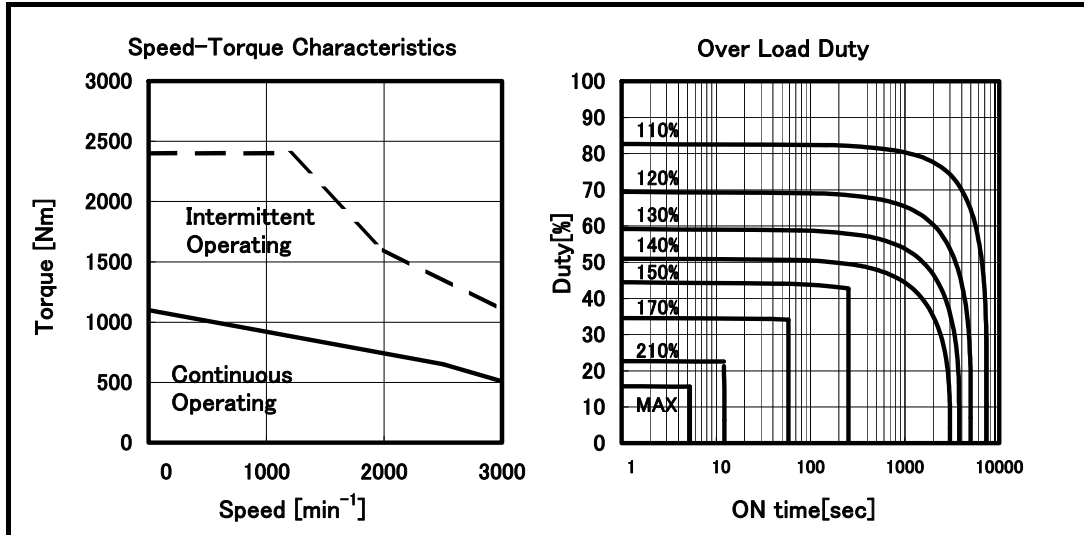
Data sheet

Parameter	Symbol	Value	Unit
Stall Torque (*)	Ts	950	Nm
		9690	kgfcm
Stall Current (*)	Is	230	A (rms)
Rated Output (*)	Pr	125	kW
		160	HP
Rating Speed	Nr	2000	min^{-1}
Maximum Speed	Nmax	2000	min^{-1}
Maximum Torque (*)	Tmax	1900	Nm
		19400	kgfcm
Rotor Inertia	Jm	0.420	kgm^2
		4.29	kgfcm^2
Rotor Inertia(with Brake)	Jm	-	kgm^2
		-	kgfcm^2
Torque constant (*)	Kt	4.0	Nm/A (rms)
		41	kgfcm/A (rms)
Back EMF constant (1 phase) (*)	Ke	140	V (rms)/1000 min^{-1}
		1.3	V (rms)sec/rad
Armature Resistance (1 phase) (*)	Ra	0.010	Ω
Mechanical time constant	tm	0.0008	s
Thermal time constant	tt	70	min
Static friction	Tf	6.0	Nm
		61	kgfcm
Weight	w	470	kg
Weight(with Brake)	w	-	kg
Max. Current of Servo Amp.	Imax	360 x 2	A (peak)

(*) The values are the standard values at 20°C and the tolerance is $\pm 10\%$.
 The speed-torque characteristics very depending on the type of software, parameter setting, and input voltage of the digital servo software. (The above figures show average values.)

Model *αi* S 1000/3000 HV

Specification A06B-0099-B□50



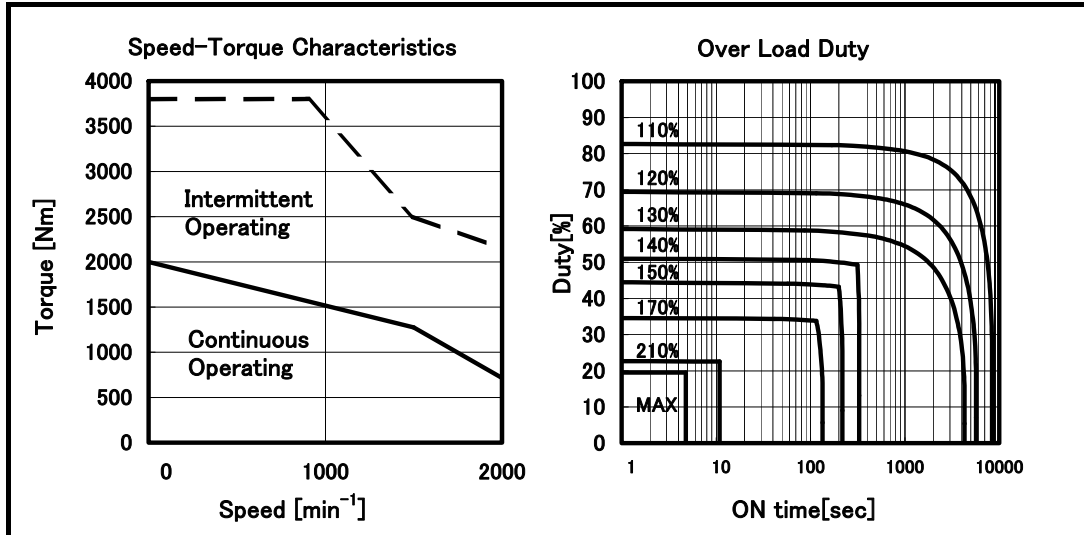
Data sheet

Parameter	Symbol	Value		Unit
Stall Torque (*)	Ts	1100		Nm
		11200		kgfcm
Stall Current (*)	Is	404		A (rms)
Rated Output (*)	Pr	170		kW
		230		HP
Rating Speed	Nr	2500		min^{-1}
Maximum Speed	Nmax	3000		min^{-1}
Maximum Torque (*)	Tmax	2400		Nm
		24500		kgfcm
Rotor Inertia	Jm	0.458		kgm^2
		4.67		kgfcm^2
Rotor Inertia(with Brake)	Jm	-		kgm^2
		-		kgfcm^2
Torque constant (*)	Kt	2.72		Nm/A (rms)
		27.8		kgfcm/A (rms)
Back EMF constant (1 phase) (*)	Ke	95		V (rms)/1000 min^{-1}
		0.91		V (rms)sec/rad
Armature Resistance (1 phase) (*)	Ra	0.0050		Ω
Mechanical time constant	tm	0.0009		s
Thermal time constant	tt	70		min
Static friction	Tf	6.0		Nm
		61		kgfcm
Weight	w	500		kg
Weight(with Brake)	w	-		kg
Max. Current of Servo Amp.	Imax	360 x 4		A (peak)

(*) The values are the standard values at 20°C and the tolerance is $\pm 10\%$.
 The speed-torque characteristics very depending on the type of software, parameter setting, and input voltage of the digital servo software. (The above figures show average values.)

Model α i S 2000/2000 HV

Specification A06B-0091-B□40



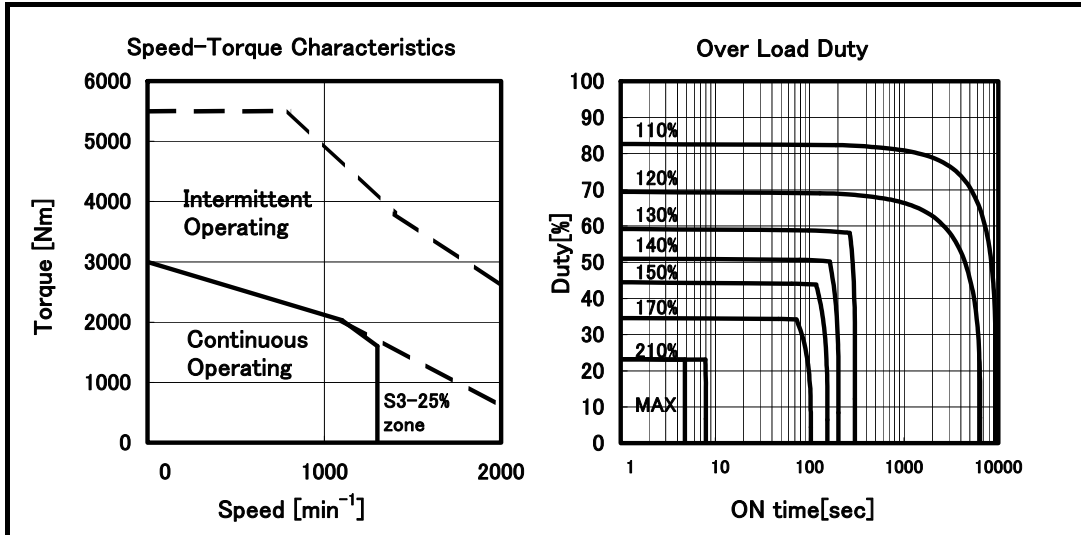
Data sheet

Parameter	Symbol	Value	Unit
Stall Torque (*)	Ts	2000	Nm
		20400	kgfcm
Stall Current (*)	Is	450	A (rms)
Rated Output (*)	Pr	200	kW
		270	HP
Rating Speed	Nr	1500	min^{-1}
Maximum Speed	Nmax	2000	min^{-1}
Maximum Torque (*)	Tmax	3800	Nm
		38800	kgfcm
Rotor Inertia	Jm	1.97	kgm^2
		20.1	kgfcm^2
Rotor Inertia(with Brake)	Jm	-	kgm^2
		-	kgfcm^2
Torque constant (*)	Kt	4.4	Nm/A (rms)
		45	kgfcm/A (rms)
Back EMF constant (1 phase) (*)	Ke	155	V (rms)/1000 min^{-1}
		1.5	V (rms)sec/rad
Armature Resistance (1 phase) (*)	Ra	0.0038	Ω
Mechanical time constant	tm	0.001	s
Thermal time constant	tt	80	min
Static friction	Tf	32	Nm
		330	kgfcm
Weight	w	1000	kg
Weight(with Brake)	w	-	kg
Max. Current of Servo Amp.	Imax	360 x 4	A (peak)

(*) The values are the standard values at 20°C and the tolerance is $\pm 10\%$.
 The speed-torque characteristics very depending on the type of software, parameter setting, and input voltage of the digital servo software. (The above figures show average values.)

Model αi S 3000/2000 HV

Specification A06B-0092-B□40



Data sheet

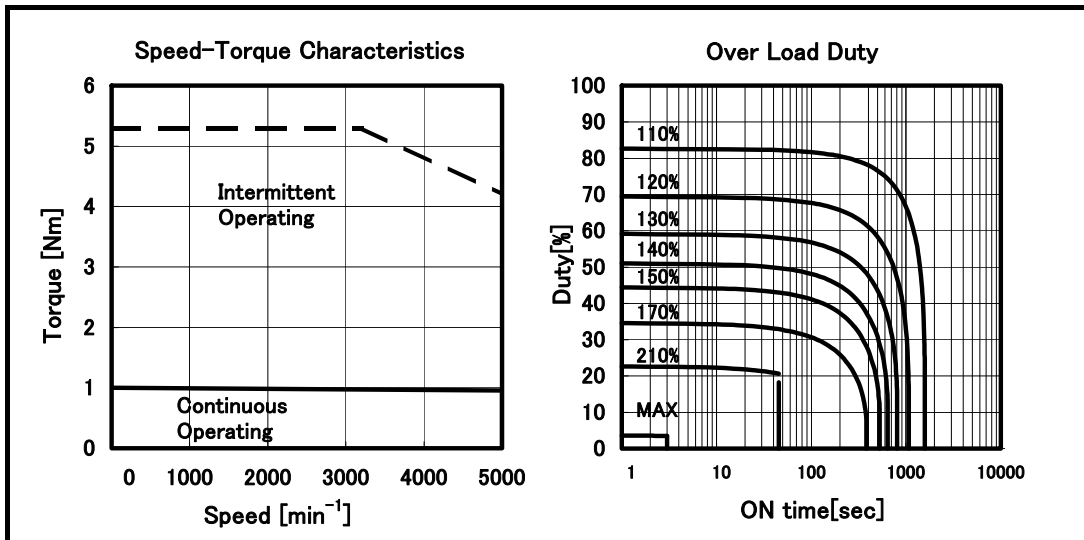
Parameter	Symbol	Value	Unit
Stall Torque (*)	Ts	3000	Nm
		30600	kgfcm
Stall Current (*)	Is	490	A (rms)
Rated Output (*)	Pr	220	kW
		300	HP
Rating Speed	Nr	1300	min^{-1}
Maximum Speed	Nmax	2000	min^{-1}
Maximum Torque (*)	Tmax	5500	Nm
		56100	kgfcm
Rotor Inertia	Jm	3.48	kgm^2
		35.5	kgfcm^2
Rotor Inertia(with Brake)	Jm	-	kgm^2
		-	kgfcm^2
Torque constant (*)	Kt	6.1	Nm/A (rms)
		62	kgfcm/A (rms)
Back EMF constant (1 phase) (*)	Ke	211	V (rms)/1000 min^{-1}
		Kv	2.0
Armature Resistance (1 phase) (*)	Ra	0.0035	Ω
Mechanical time constant	tm	0.001	s
Thermal time constant	tt	90	min
Static friction	Tf	32	Nm
		330	kgfcm
Weight	w	1500	kg
Weight(with Brake)	w	-	kg
Max. Current of Servo Amp.	Imax	360 x 4	A (peak)

(*) The values are the standard values at 20°C and the tolerance is $\pm 10\%$.
 The speed-torque characteristics vary depending on the type of software, parameter setting, and input voltage of the digital servo software. (The above figures show average values.)

6.3 $\alpha i F$ series (200V)

Model $\alpha i F$ 1/5000

Specification A06B-0202-B□0□



Data sheet

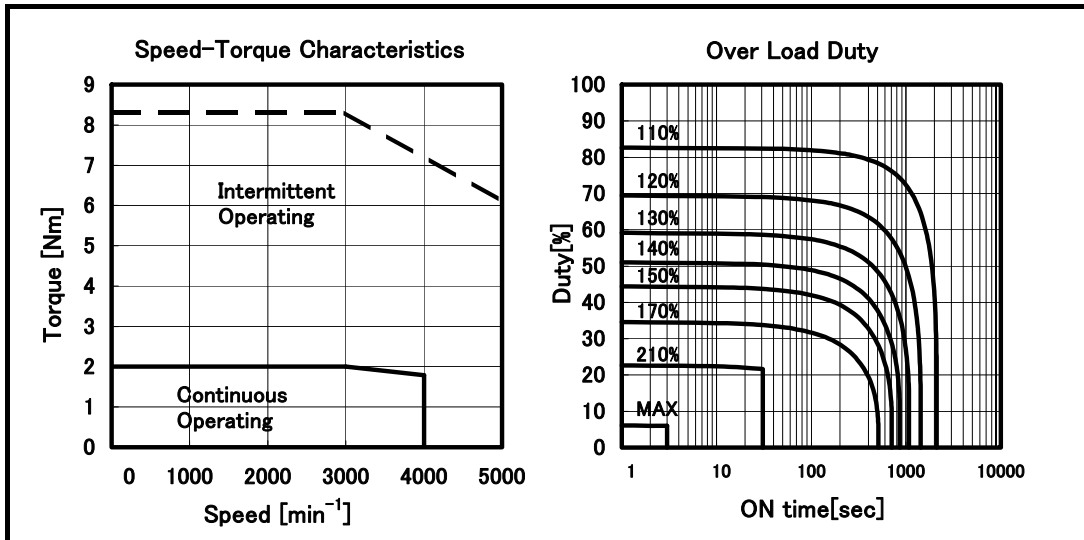
Parameter	Symbol	Value		Unit
Stall Torque (*)	Ts	1.0		Nm
		10		kgfcm
Stall Current (*)	Is	2.7		A (rms)
Rated Output (*)	Pr	0.50		kW
		0.67		HP
Rating Speed	Nr	5000		min^{-1}
Maximum Speed	Nmax	5000		min^{-1}
Maximum Torque (*)	Tmax	5.3		Nm
		54		kgfcm
Rotor Inertia	Jm	0.000305		kgm^2
		0.00311		kgfcm^2
Rotor Inertia (with Brake)	Jm	0.000325		kgm^2
		0.00332		kgfcm^2
Torque constant (*)	Kt	0.38		Nm/A (rms)
		3.8		kgfcm/A (rms)
Back EMF constant (1 phase) (*)	Ke	13		V (rms)/1000 min^{-1}
		Kv	0.13	
Armature Resistance (1 phase) (*)	Ra	1.4		Ω
Mechanical time constant	tm	0.009		s
Thermal time constant	tt	15		min
Static friction	Tf	0.1		Nm
		1		kgfcm
Weight	w	2.8		kg
Weight (with Brake)	w	3.8		kg
Max. Current of Servo Amp.	Imax	20		A (peak)

(*) The values are the standard values at 20°C and the tolerance is $\pm 10\%$.

The speed-torque characteristics vary depending on the type of software, parameter setting, and input voltage of the digital servo software. (The above figures show average values.)

Model αi F 2/5000

Specification A06B-0205-B□0□



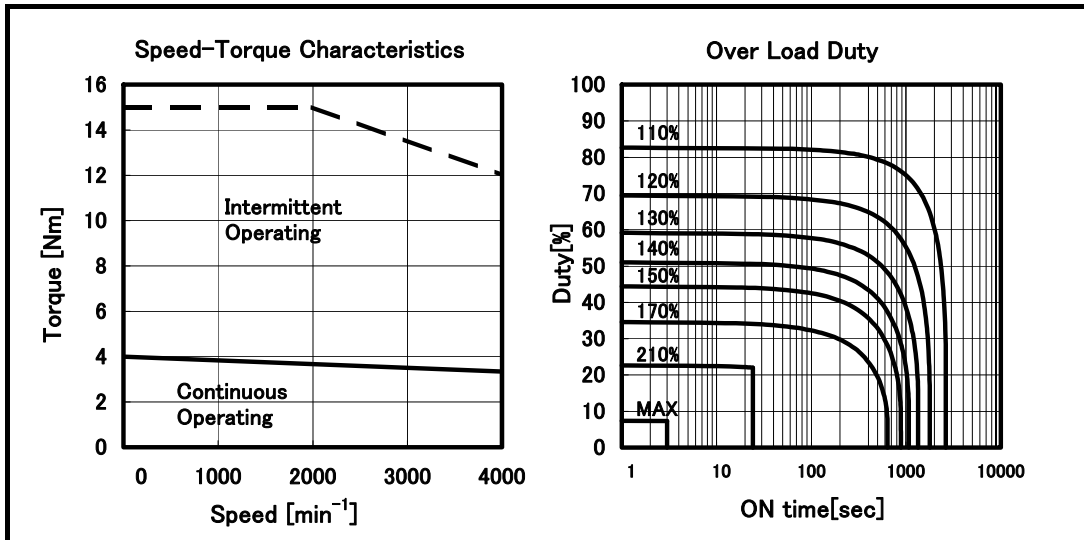
Data sheet

Parameter	Symbol	Value		Unit
Stall Torque (*)	Ts	2.0		Nm
		20		kgfcm
Stall Current (*)	Is	3.5		A (rms)
Rated Output (*)	Pr	0.75		kW
		1.0		HP
Rating Speed	Nr	4000		min^{-1}
Maximum Speed	Nmax	5000		min^{-1}
Maximum Torque (*)	Tmax	8.3		Nm
		85		kgfcm
Rotor Inertia	Jm	0.000526		kgm^2
		0.00537		kgfcm s^2
Rotor Inertia (with Brake)	Jm	0.000546		kgm^2
		0.00557		kgfcm s^2
Torque constant (*)	Kt	0.57		Nm/A (rms)
		5.8		kgfcm/A (rms)
Back EMF constant (1 phase) (*)	Ke	20		V (rms)/1000 min^{-1}
		Kv	0.19	
Armature Resistance (1 phase) (*)	Ra	1.1		Ω
Mechanical time constant	tm	0.005		s
Thermal time constant	tt	20		min
Static friction	Tf	0.2		Nm
		2		kgfcm
Weight	w	4.3		kg
Weight (with Brake)	w	5.3		kg
Max. Current of Servo Amp.	Imax	20		A (peak)

(*) The values are the standard values at 20°C and the tolerance is $\pm 10\%$.
 The speed-torque characteristics vary depending on the type of software, parameter setting, and input voltage of the digital servo software. (The above figures show average values.)

Model αi F 4/4000

Specification A06B-0223-B□□□



Data sheet

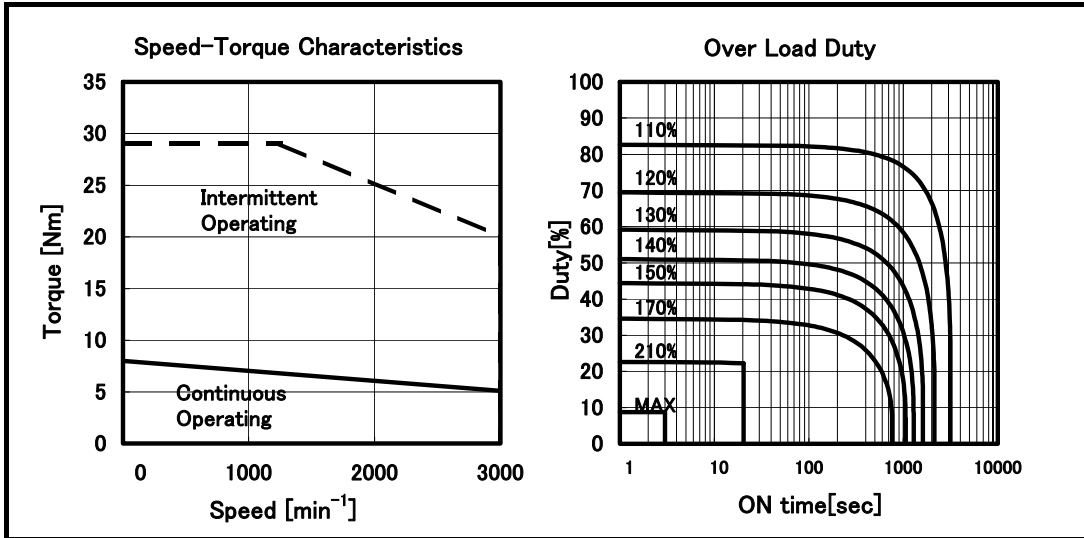
Parameter	Symbol	Value	Unit
Stall Torque (*)	Ts	4.0	Nm
		41	kgfcm
Stall Current (*)	Is	7.7	A (rms)
Rated Output (*)	Pr	1.4	kW
		1.9	HP
Rating Speed	Nr	4000	min^{-1}
Maximum Speed	Nmax	4000	min^{-1}
Maximum Torque (*)	Tmax	15	Nm
		153	kgfcm
Rotor Inertia	Jm	0.00135	kgm^2
		0.0138	kgfcm s^2
Rotor Inertia (with Brake)	Jm	0.00142	kgm^2
		0.0145	kgfcm s^2
Torque constant (*)	Kt	0.52	Nm/A (rms)
		5.3	kgfcm/A (rms)
Back EMF constant (1 phase) (*)	Ke	18	V (rms)/1000 min^{-1}
		Kv	0.17
Armature Resistance (1 phase) (*)	Ra	0.40	Ω
Mechanical time constant	tm	0.006	s
Thermal time constant	tt	25	min
Static friction	Tf	0.3	Nm
		3	kgfcm
Weight	w	7.5	kg
Weight (with Brake)	w	9.7	kg
Max. Current of Servo Amp.	Imax	40	A (peak)

(*) The values are the standard values at 20°C and the tolerance is $\pm 10\%$.

The speed-torque characteristics vary depending on the type of software, parameter setting, and input voltage of the digital servo software. (The above figures show average values.)

Model αi F 8/3000

Specification A06B-0227-B□□□



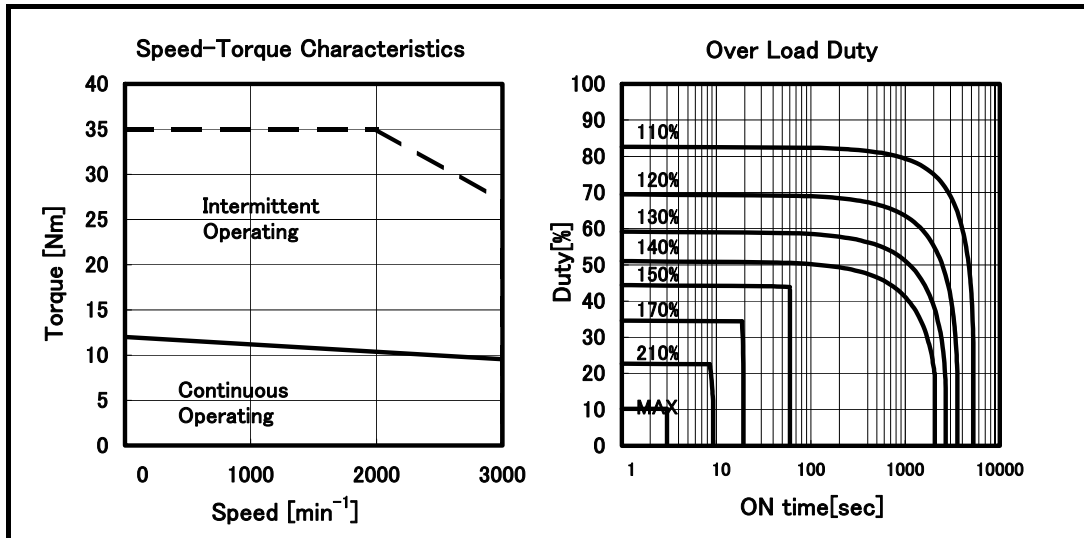
Data sheet

Parameter	Symbol	Value	Unit
Stall Torque (*)	Ts	8.0	Nm
		82	kgfcm
Stall Current (*)	Is	8.4	A (rms)
Rated Output (*)	Pr	1.6	kW
		2.1	HP
Rating Speed	Nr	3000	min^{-1}
Maximum Speed	Nmax	3000	min^{-1}
Maximum Torque (*)	Tmax	29	Nm
		296	kgfcm
Rotor Inertia	Jm	0.00257	kgm^2
		0.0262	kgfcm s^2
Rotor Inertia (with Brake)	Jm	0.00264	kgm^2
		0.0269	kgfcm s^2
Torque constant (*)	Kt	0.95	Nm/A (rms)
		9.7	kgfcm/A (rms)
Back EMF constant (1 phase) (*)	Ke	33	V (rms)/1000 min^{-1}
		Kv	0.32
Armature Resistance (1 phase) (*)	Ra	0.51	Ω
Mechanical time constant	tm	0.004	s
Thermal time constant	tt	30	min
Static friction	Tf	0.3	Nm
		3	kgfcm
Weight	w	12.3	kg
Weight (with Brake)	w	14.5	kg
Max. Current of Servo Amp.	Imax	40	A (peak)

(*) The values are the standard values at 20°C and the tolerance is $\pm 10\%$.
 The speed-torque characteristics vary depending on the type of software, parameter setting, and input voltage of the digital servo software. (The above figures show average values.)

Model αi F 12/3000

Specification A06B-0243-B□□□



Data sheet

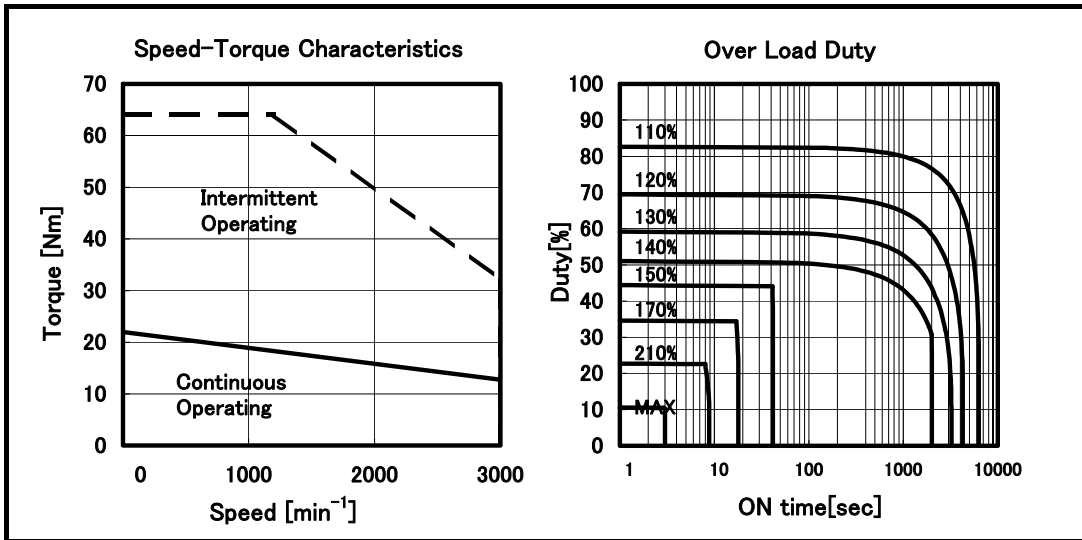
Parameter	Symbol	Value	Unit
Stall Torque (*)	Ts	12	Nm
		122	kgfcm
Stall Current (*)	Is	18.1	A (rms)
Rated Output (*)	Pr	3.0	kW
		4.0	HP
Rating Speed	Nr	3000	min ⁻¹
Maximum Speed	Nmax	3000	min ⁻¹
Maximum Torque (*)	Tmax	35	Nm
		357	kgfcm
Rotor Inertia	Jm	0.00620	kgm ²
		0.0633	kgfcm ²
Rotor Inertia (with Brake)	Jm	0.00680	kgm ²
		0.0694	kgfcm ²
Torque constant (*)	Kt	0.66	Nm/A (rms)
		6.8	kgfcm/A (rms)
Back EMF constant (1 phase) (*)	Ke Kv	23	V (rms)/1000 min ⁻¹
		0.22	V (rms)sec/rad
Armature Resistance (1 phase) (*)	Ra	0.16	Ω
Mechanical time constant	tm	0.007	s
Thermal time constant	tt	50	min
Static friction	Tf	0.8	Nm
		8	kgfcm
Weight	w	18	kg
Weight (with Brake)	w	24	kg
Max. Current of Servo Amp.	Imax	80	A (peak)

(*) The values are the standard values at 20°C and the tolerance is ±10%.

The speed-torque characteristics vary depending on the type of software, parameter setting, and input voltage of the digital servo software. (The above figures show average values.)

Model αi F 22/3000

Specification A06B-0247-B□□□



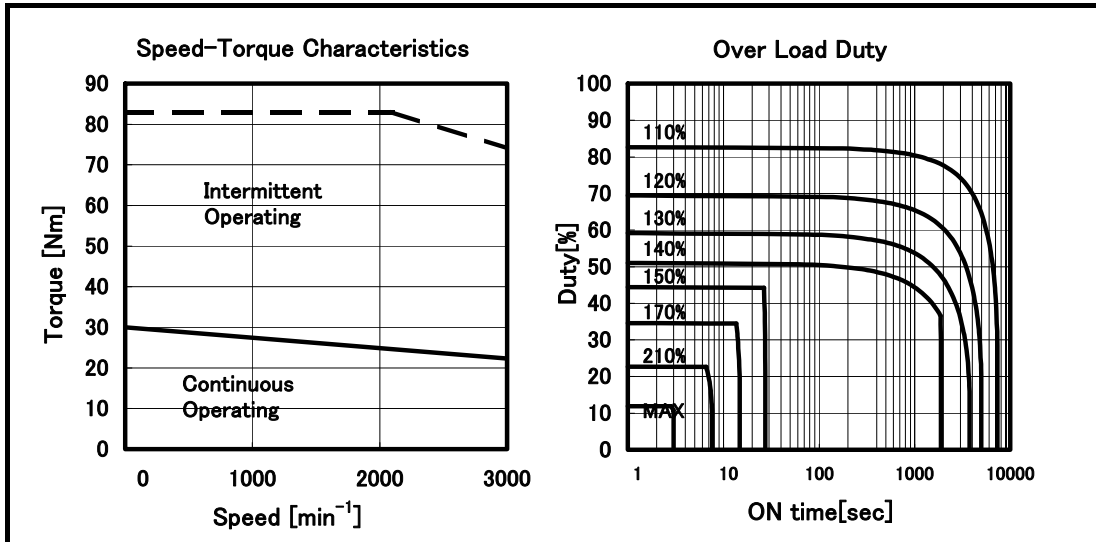
Data sheet

Parameter	Symbol	Value	Unit
Stall Torque (*)	Ts	22	Nm
		224	kgfcm
Stall Current (*)	Is	18.4	A (rms)
Rated Output (*)	Pr	4.0	kW
		5.4	HP
Rating Speed	Nr	3000	min^{-1}
Maximum Speed	Nmax	3000	min^{-1}
Maximum Torque (*)	Tmax	64	Nm
		653	kgfcm
Rotor Inertia	Jm	0.0120	kgm^2
		0.122	kgfcm s^2
Rotor Inertia (with Brake)	Jm	0.0126	kgm^2
		0.129	kgfcm s^2
Torque constant (*)	Kt	1.20	Nm/A (rms)
		12.2	kgfcm/A (rms)
Back EMF constant (1 phase) (*)	Ke Kv	42	V (rms)/1000 min^{-1}
		0.40	V (rms)sec/rad
Armature Resistance (1 phase) (*)	Ra	0.16	Ω
Mechanical time constant	tm	0.004	s
Thermal time constant	tt	60	min
Static friction	Tf	1.2	Nm
		12	kgfcm
Weight	w	29	kg
Weight (with Brake)	w	35	kg
Max. Current of Servo Amp.	Imax	80	A (peak)

(*) The values are the standard values at 20°C and the tolerance is $\pm 10\%$.
 The speed-torque characteristics vary depending on the type of software, parameter setting, and input voltage of the digital servo software. (The above figures show average values.)

Model αi F 30/3000

Specification A06B-0253-B□□□



Data sheet

Parameter	Symbol	Value	Unit
Stall Torque (*)	Ts	30	Nm
		306	kgfcm
Stall Current (*)	Is	39.0	A (rms)
Rated Output (*)	Pr	7.0	kW
		9.3	HP
Rating Speed	Nr	3000	min ⁻¹
Maximum Speed	Nmax	3000	min ⁻¹
Maximum Torque (*)	Tmax	83	Nm
		847	kgfcm
Rotor Inertia	Jm	0.0170	kgm ²
		0.173	kgfcm ²
Rotor Inertia (with Brake)	Jm	0.0176	kgm ²
		0.180	kgfcm ²
Torque constant (*)	Kt	0.77	Nm/A (rms)
		7.8	kgfcm/A (rms)
Back EMF constant (1 phase) (*)	Ke	27	V (rms)/1000 min ⁻¹
		Kv	0.26
Armature Resistance (1 phase) (*)	Ra	0.040	Ω
Mechanical time constant	tm	0.003	s
Thermal time constant	tt	70	min
Static friction	Tf	1.8	Nm
		18	kgfcm
Weight	w	40	kg
Weight (with Brake)	w	46	kg
Max. Current of Servo Amp.	Imax	160	A (peak)

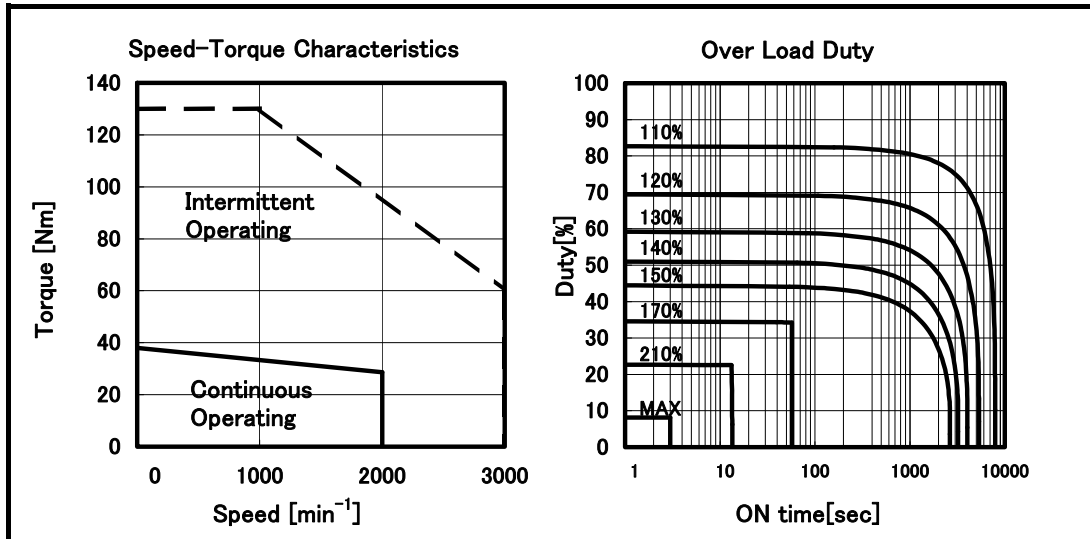
(*) The values are the standard values at 20°C and the tolerance is ±10%.

The speed-torque characteristics vary depending on the type of software, parameter setting, and input voltage of the digital servo software. (The above figures show average values.)

Overload Duty shows the specification for rotating, and if the motor is stopping, Soft Alarm will occur shorter time. When the motor speed is less than 1 rpm for over 10 sec., use under stall torque.

Model αi F 40/3000

Specification A06B-0257-B□0□,-B□2□



Data sheet

Parameter	Symbol	Value		Unit
Stall Torque (*)	Ts	38		Nm
		388		kgfcm
Stall Current (*)	Is	32.3		A (rms)
Rated Output (*)	Pr	6.0		kW
		8.0		HP
Rating Speed	Nr	2000		min^{-1}
Maximum Speed	Nmax	3000		min^{-1}
Maximum Torque (*)	Tmax	130		Nm
		1330		kgfcm
Rotor Inertia	Jm	0.0220		kgm^2
		0.224		kgfcm s^2
Rotor Inertia(with 35Nm Brake)	Jm	0.0226		kgm^2
		0.231		kgfcm s^2
Torque constant (*)	Kt	1.18		Nm/A (rms)
		12.0		kgfcm/A (rms)
Back EMF constant (1 phase) (*)	Ke	41		V (rms)/1000 min^{-1}
		0.39		V (rms)sec/rad
Armature Resistance (1 phase) (*)	Ra	0.068		Ω
Mechanical time constant	tm	0.003		s
Thermal time constant	tt	75		min
Static friction	Tf	1.8		Nm
		18		kgfcm
Weight	w	51		kg
Weight(with 35Nm Brake)	w	57		kg
Max. Current of Servo Amp.	Imax	160		A (peak)

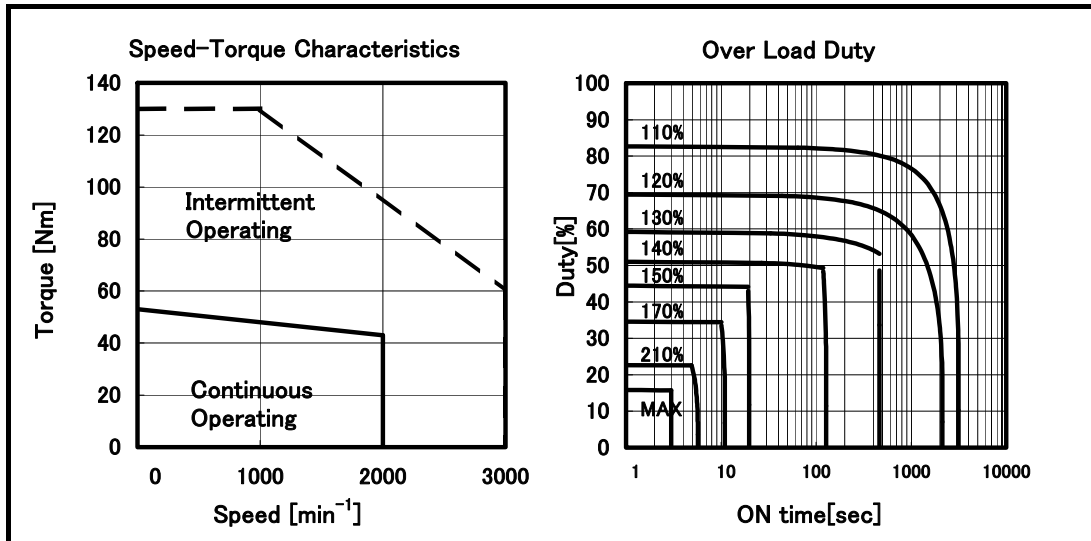
(*) The values are the standard values at 20°C and the tolerance is $\pm 10\%$.

The speed-torque characteristics vary depending on the type of software, parameter setting, and input voltage of the digital servo software. (The above figures show average values.)

Overload Duty shows the specification for rotating, and if the motor is stopping, Soft Alarm will occur shorter time. When the motor speed is less than 1 rpm for over 10 sec., use under stall torque.

Model αi F 40/3000 with Fan

Specification A06B-0257-B□1□,-B□3□



Data sheet

Parameter	Symbol	Value		Unit
Stall Torque (*)	Ts	53		Nm
		541		kgfcm
Stall Current (*)	Is	45.0		A (rms)
Rated Output (*)	Pr	9.0		kW
		12		HP
Rating Speed	Nr	2000		min^{-1}
Maximum Speed	Nmax	3000		min^{-1}
Maximum Torque (*)	Tmax	130		Nm
		1330		kgfcm
Rotor Inertia	Jm	0.0220		kgm^2
		0.224		kgfcm s^2
Rotor Inertia(with 70Nm Brake)	Jm	0.0229		kgm^2
		0.233		kgfcm s^2
Torque constant (*)	Kt	1.18		Nm/A (rms)
		12.0		kgfcm/A (rms)
Back EMF constant (1 phase) (*)	Ke	41		V (rms)/1000 min^{-1}
		0.39		V (rms)sec/rad
Armature Resistance (1 phase) (*)	Ra	0.068		Ω
Mechanical time constant	tm	0.003		s
Thermal time constant	tt	30		min
Static friction	Tf	1.8		Nm
		18		kgfcm
Weight	w	54		kg
Weight(with 70Nm Brake)	w	64		kg
Max. Current of Servo Amp.	Imax	160		A (peak)

(*) The values are the standard values at 20°C and the tolerance is $\pm 10\%$.

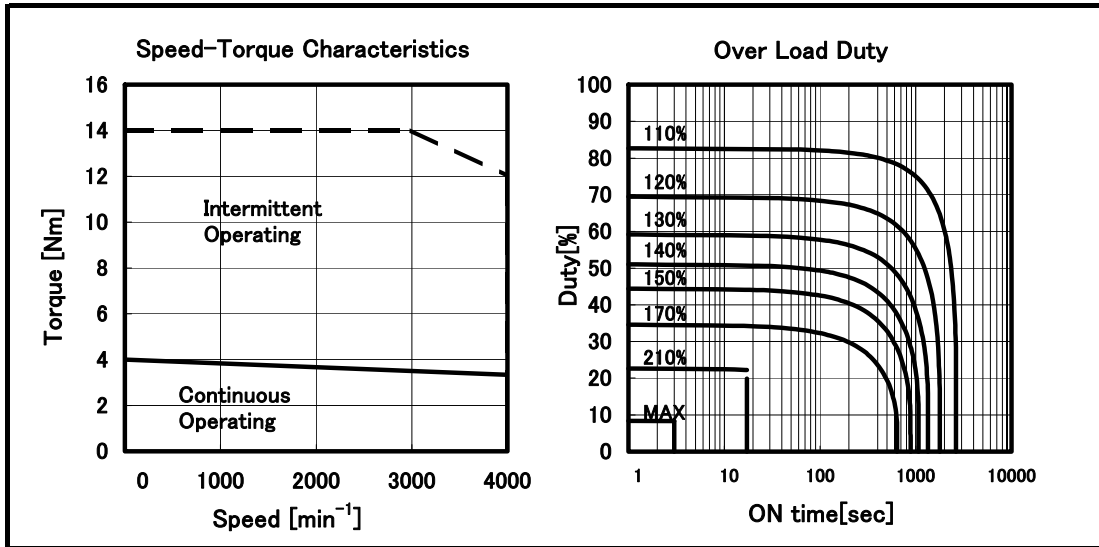
The speed-torque characteristics vary depending on the type of software, parameter setting, and input voltage of the digital servo software. (The above figures show average values.)

Overload Duty shows the specification for rotating, and if the motor is stopping, Soft Alarm will occur shorter time. When the motor speed is less than 1 rpm for over 10 sec., use under stall torque.

6.4 αiF series (400V)

Model αiF 4/4000 HV

Specification A06B-0225-B□□□



Data sheet

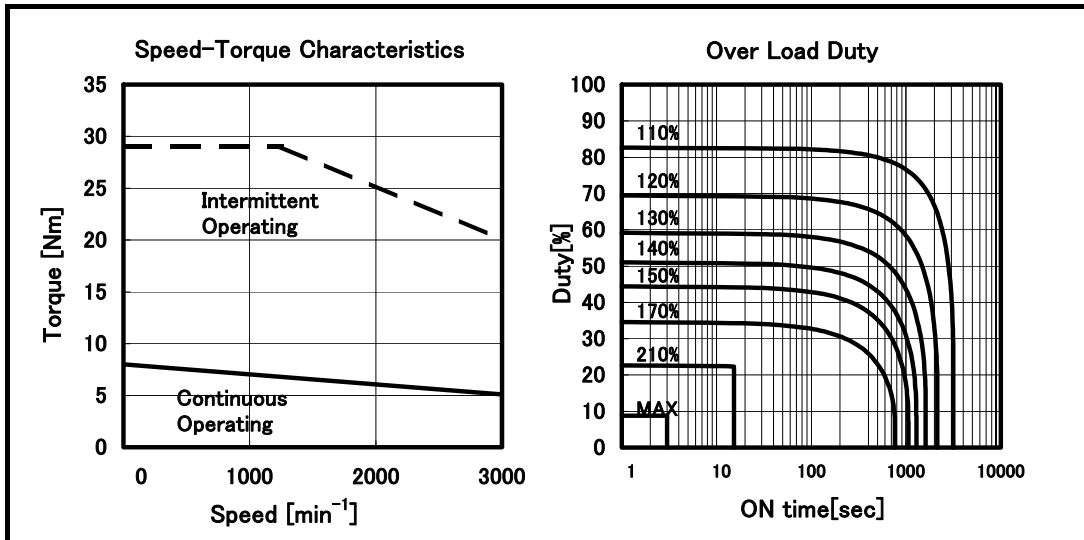
Parameter	Symbol	Value	Unit
Stall Torque (*)	Ts	4.0	Nm
		41	kgfcm
Stall Current (*)	Is	4.1	A (rms)
Rated Output (*)	Pr	1.4	kW
		1.9	HP
Rating Speed	Nr	4000	min^{-1}
Maximum Speed	Nmax	4000	min^{-1}
Maximum Torque (*)	Tmax	14	Nm
		143	kgfcm
Rotor Inertia	Jm	0.00135	kgm^2
		0.0138	kgfcm^2
Rotor Inertia (with Brake)	Jm	0.00142	kgm^2
		0.0145	kgfcm^2
Torque constant (*)	Kt	0.98	Nm/A (rms)
		10.0	kgfcm/A (rms)
Back EMF constant (1 phase) (*)	Ke	34	V (rms)/1000 min^{-1}
		Kv	0.33
Armature Resistance (1 phase) (*)	Ra	1.5	Ω
Mechanical time constant	tm	0.006	s
Thermal time constant	tt	25	min
Static friction	Tf	0.3	Nm
		3	kgfcm
Weight	w	7.5	kg
Weight (with Brake)	w	9.7	kg
Max. Current of Servo Amp.	Imax	20	A (peak)

(*) The values are the standard values at 20°C and the tolerance is ±10%.

The speed-torque characteristics vary depending on the type of software, parameter setting, and input voltage of the digital servo software. (The above figures show average values.)

Model αi F 8/3000 HV

Specification A06B-0229-B□□□



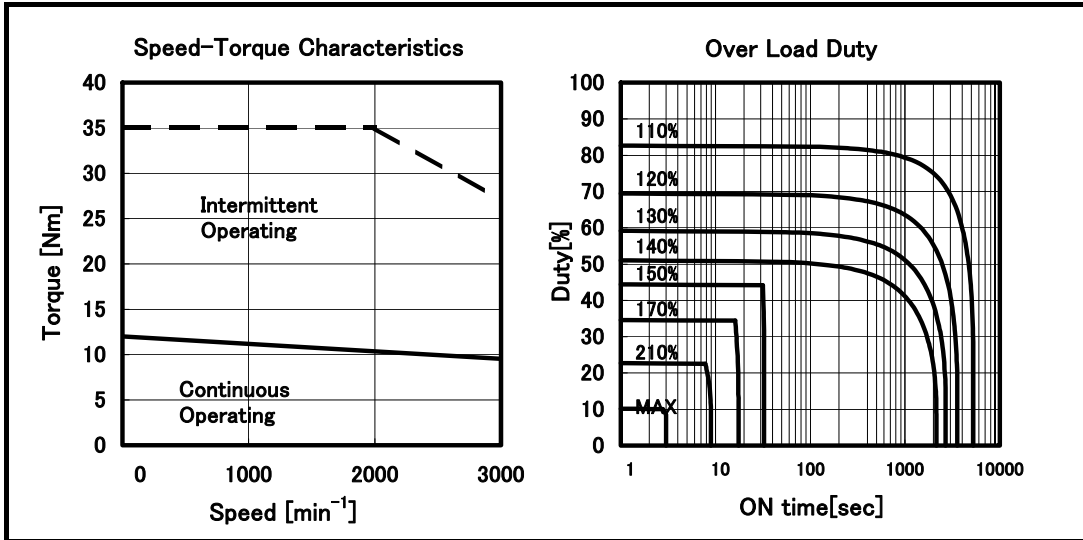
Data sheet

Parameter	Symbol	Value	Unit
Stall Torque (*)	Ts	8.0	Nm
		82	kgfcm
Stall Current (*)	Is	4.2	A (rms)
Rated Output (*)	Pr	1.6	kW
		2.1	HP
Rating Speed	Nr	3000	min^{-1}
Maximum Speed	Nmax	3000	min^{-1}
Maximum Torque (*)	Tmax	29	Nm
		296	kgfcm
Rotor Inertia	Jm	0.00257	kgm^2
		0.0262	kgfcm s^2
Rotor Inertia (with Brake)	Jm	0.00264	kgm^2
		0.0269	kgfcm s^2
Torque constant (*)	Kt	1.90	Nm/A (rms)
		19.5	kgfcm/A (rms)
Back EMF constant (1 phase) (*)	Ke	66	V (rms)/1000 min^{-1}
		Kv	0.63
Armature Resistance (1 phase) (*)	Ra	1.9	Ω
Mechanical time constant	tm	0.004	s
Thermal time constant	tt	30	min
Static friction	Tf	0.3	Nm
		3	kgfcm
Weight	w	12.3	kg
Weight (with Brake)	w	14.5	kg
Max. Current of Servo Amp.	Imax	20	A (peak)

(*) The values are the standard values at 20°C and the tolerance is $\pm 10\%$.
 The speed-torque characteristics vary depending on the type of software, parameter setting, and input voltage of the digital servo software. (The above figures show average values.)

Model αi F 12/3000 HV

Specification A06B-0245-B□□□



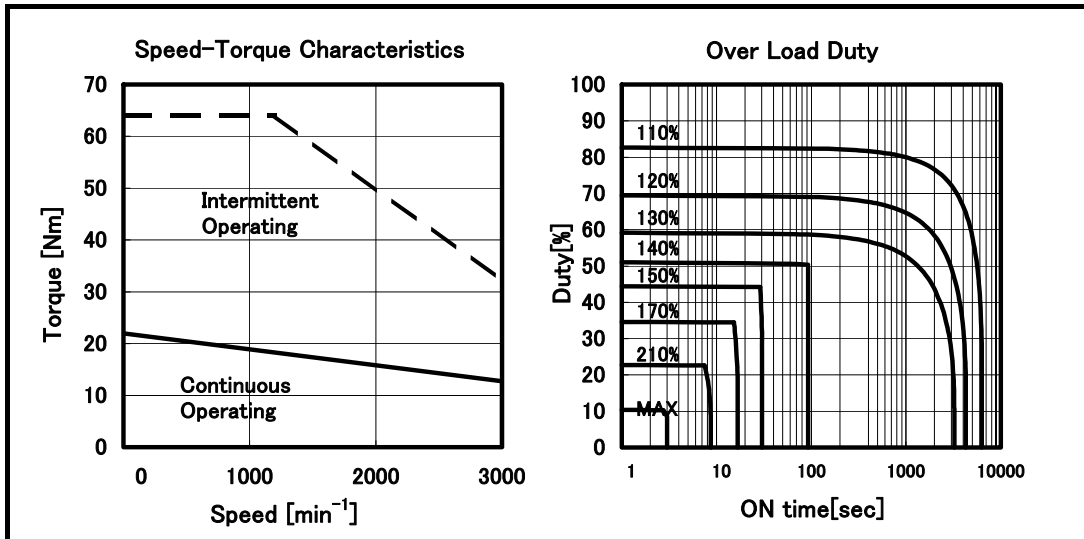
Data sheet

Parameter	Symbol	Value		Unit
Stall Torque (*)	Ts	12		Nm
		122		kgfcm
Stall Current (*)	Is	9.0		A (rms)
Rated Output (*)	Pr	3.0		kW
		4.0		HP
Rating Speed	Nr	3000		min^{-1}
Maximum Speed	Nmax	3000		min^{-1}
Maximum Torque (*)	Tmax	35		Nm
		357		kgfcm
Rotor Inertia	Jm	0.00620		kgm^2
		0.0633		kgfcm s^2
Rotor Inertia (with Brake)	Jm	0.00680		kgm^2
		0.0694		kgfcm s^2
Torque constant (*)	Kt	1.33		Nm/A (rms)
		13.6		kgfcm/A (rms)
Back EMF constant (1 phase) (*)	Ke	46		V (rms)/1000 min^{-1}
		0.44		V (rms)sec/rad
Armature Resistance (1 phase) (*)	Ra	0.65		Ω
Mechanical time constant	tm	0.007		s
Thermal time constant	tt	50		min
Static friction	Tf	0.8		Nm
		8		kgfcm
Weight	w	18		kg
Weight (with Brake)	w	24		kg
Max. Current of Servo Amp.	Imax	40		A (peak)

(*) The values are the standard values at 20°C and the tolerance is $\pm 10\%$.
 The speed-torque characteristics vary depending on the type of software, parameter setting, and input voltage of the digital servo software. (The above figures show average values.)

Model αi F 22/3000 HV

Specification A06B-0249-B□□□



Data sheet

Parameter	Symbol	Value		Unit
Stall Torque (*)	Ts	22		Nm
		224		kgfcm
Stall Current (*)	Is	9.1		A (rms)
Rated Output (*)	Pr	4.0		kW
		5.4		HP
Rating Speed	Nr	3000		min^{-1}
Maximum Speed	Nmax	3000		min^{-1}
Maximum Torque (*)	Tmax	64		Nm
		653		kgfcm
Rotor Inertia	Jm	0.0120		kgm^2
		0.122		kgfcm s^2
Rotor Inertia (with Brake)	Jm	0.0126		kgm^2
		0.129		kgfcm s^2
Torque constant (*)	Kt	2.41		Nm/A (rms)
		24.6		kgfcm/A (rms)
Back EMF constant (1 phase) (*)	Ke	84		V (rms)/1000 min^{-1}
		0.80		V (rms)sec/rad
Armature Resistance (1 phase) (*)	Ra	0.66		Ω
Mechanical time constant	tm	0.004		s
Thermal time constant	tt	60		min
Static friction	Tf	1.2		Nm
		12		kgfcm
Weight	w	29		kg
Weight (with Brake)	w	35		kg
Max. Current of Servo Amp.	Imax	40		A (peak)

(*) The values are the standard values at 20°C and the tolerance is $\pm 10\%$.
 The speed-torque characteristics vary depending on the type of software, parameter setting, and input voltage of the digital servo software. (The above figures show average values.)

7 OUTLINE DRAWINGS

This chapter presents outline drawings of the FANUC AC servo motors (motor outline drawings of the motor, shaft shape, allowable axis load, shaft run-out precision, power pin layout, and terminal box).

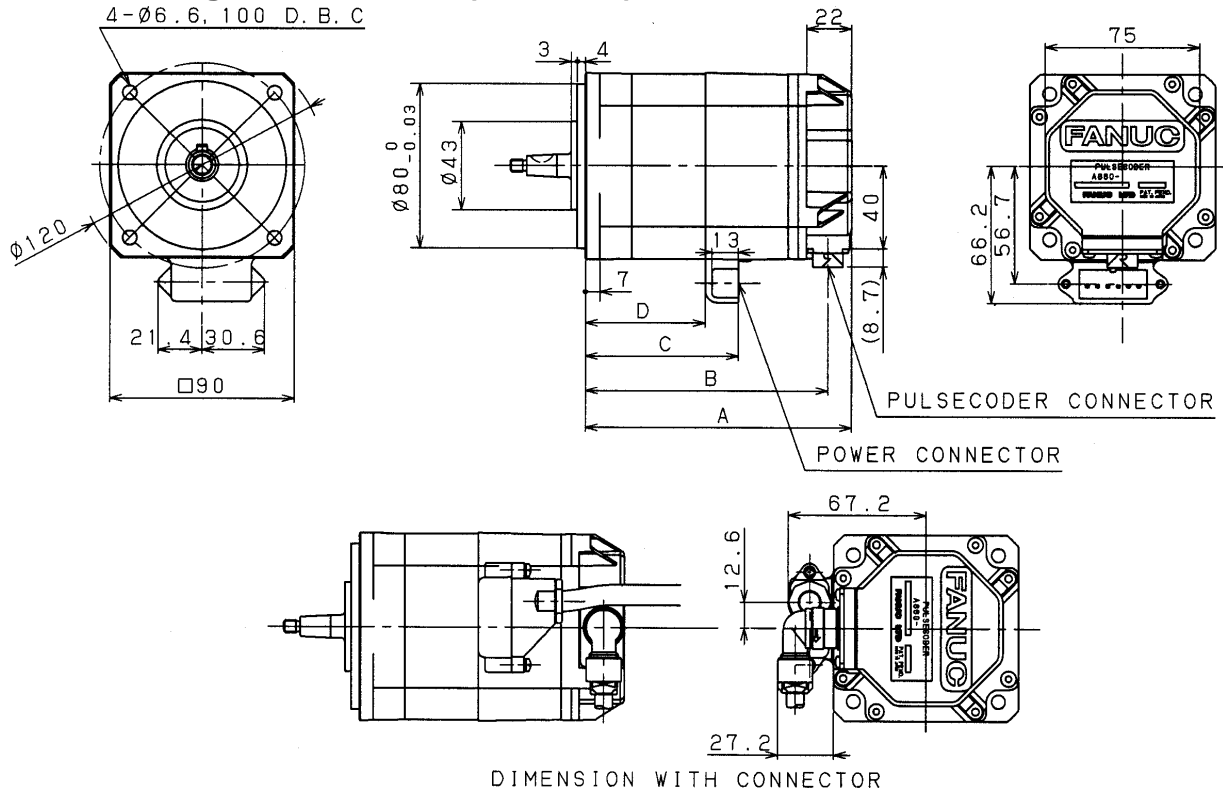
Chapter 7, "OUTLINE DRAWINGS", consists of the following sections:

7.1	MODELS α iS 2 to α iS 4, α iS 2HV to α iS 4HV, AND α iF 1 to α iF 2	130
7.2	MODELS α iS 8 to α iS 12, α iS 8HV to α iS 12HV, α iF 4 to α iF 8, α iF 4HV to α iF 8HV	135
7.3	MODELS α iS 22 to α iS 60 with FAN, α iS 22HV to α iS 60HV with FAN, α iF 12 to α iF 40 with FAN, α iF 12HV to α iF 22HV	142
7.4	MODELS α iS 100 to α iS 200 with FAN, α iS 100HV to α iS 200HV with FAN	150
7.5	MODELS α iS 300, α iS 500, α iS 300HV, AND α iS 500HV	156
7.6	MODEL α iS 1000/2000HV	159
7.7	MODEL α iS 1000/3000HV	159
7.8	MODELS α iS 2000HV AND α iS 3000HV	165

7.1 MODELS *aiS* 2 to *aiS* 4, *aiS* 2HV to *aiS* 4HV, AND *aiF* 1 to *aiF* 2

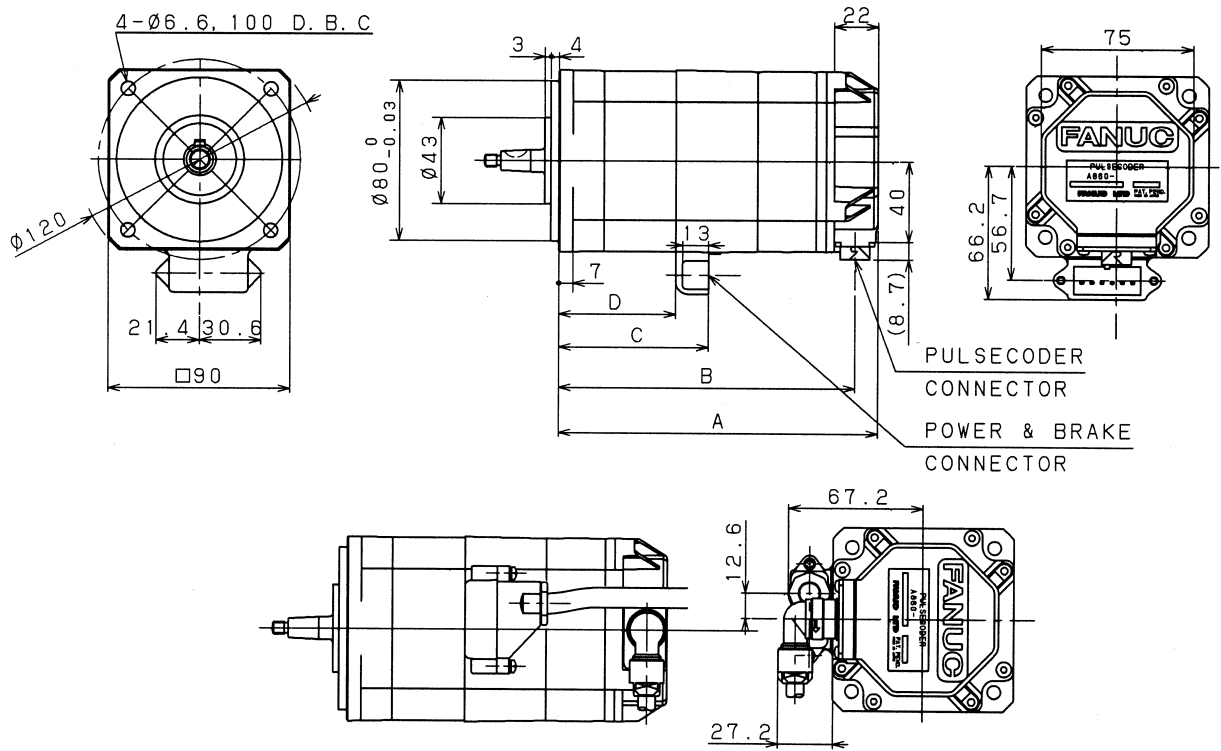
7.1.1 Outline Drawing of the Motors

Outline drawing of the motors (standard)



MODEL	A	B	C	D
<i>aiS</i> 2, <i>aiS</i> 2HV, <i>aiF</i> 1	130	119	75	59
<i>aiS</i> 4, <i>aiS</i> 4HV, <i>aiF</i> 2	166	155	111	95

Outline drawing of the motors (with a brake)



DIMENSION WITH CONNECTOR

MODEL	A	B	C	D
<i>aiS 2, aiS 2 HV, aiF 1</i>	159	148	75	59
<i>aiS 4, aiS 4 HV, aiF 2</i>	195	184	111	95

7.1.2 Shaft Shape

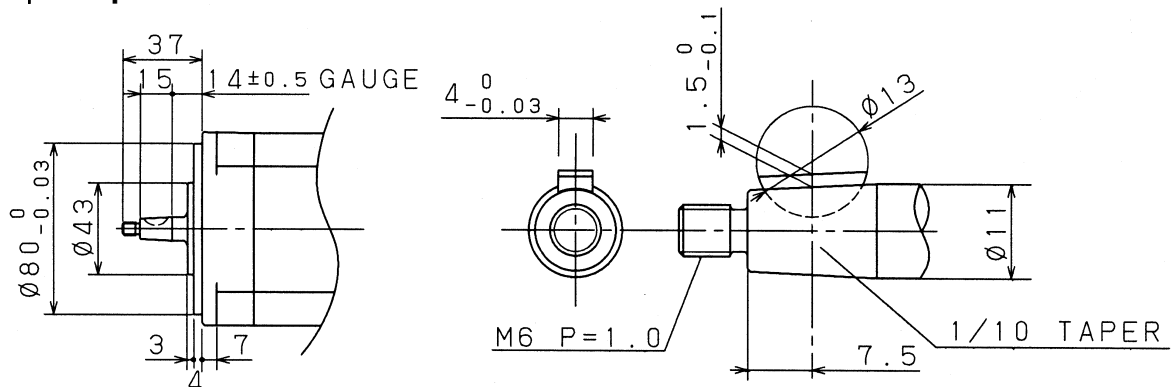
Shaft shape types

The shafts of the motors have the following shapes:

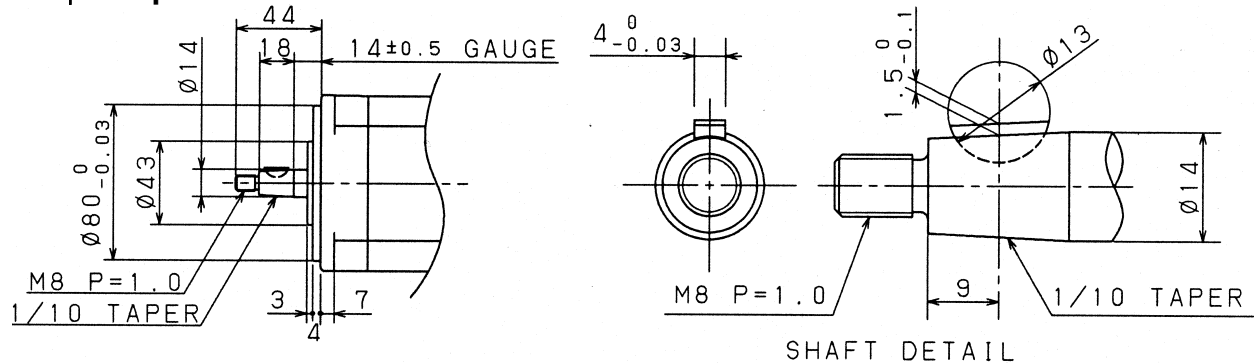
	Taper shaft	Straight shaft	Straight shaft with key way
<i>αiS</i> 2/5000	φ 11	φ 10	φ 10
<i>αiS</i> 2/6000	φ 11	φ 10	φ 10
<i>αiS</i> 4/5000	φ 14	φ 14	φ 14
<i>αiS</i> 4/6000	φ 14	φ 14	φ 14
<i>αiS</i> 2/5000 HV	φ 11	φ 10	φ 10
<i>αiS</i> 2/6000 HV	φ 11	φ 10	φ 10
<i>αiS</i> 4/5000 HV	φ 14	φ 14	φ 14
<i>αiS</i> 4/6000 HV	φ 14	φ 14	φ 14
<i>αiF</i> /5000	φ 11	φ 10	φ 10
<i>αiF</i> 2/5000	φ 11	φ 10	φ 10

Shaft details

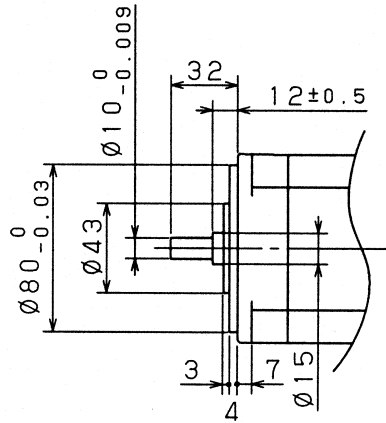
- φ11 taper shaft



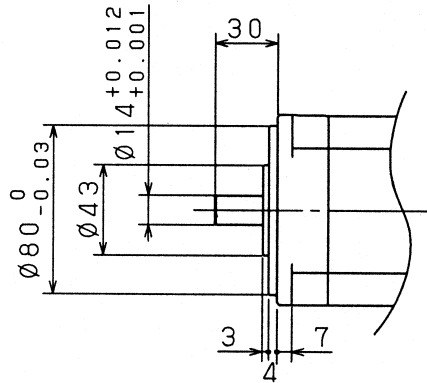
- φ14 taper shaft



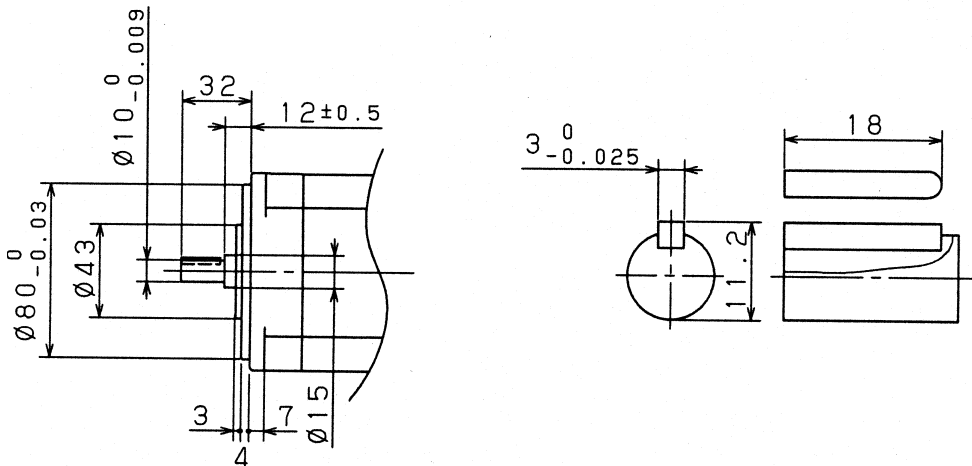
- $\phi 10$ straight shaft



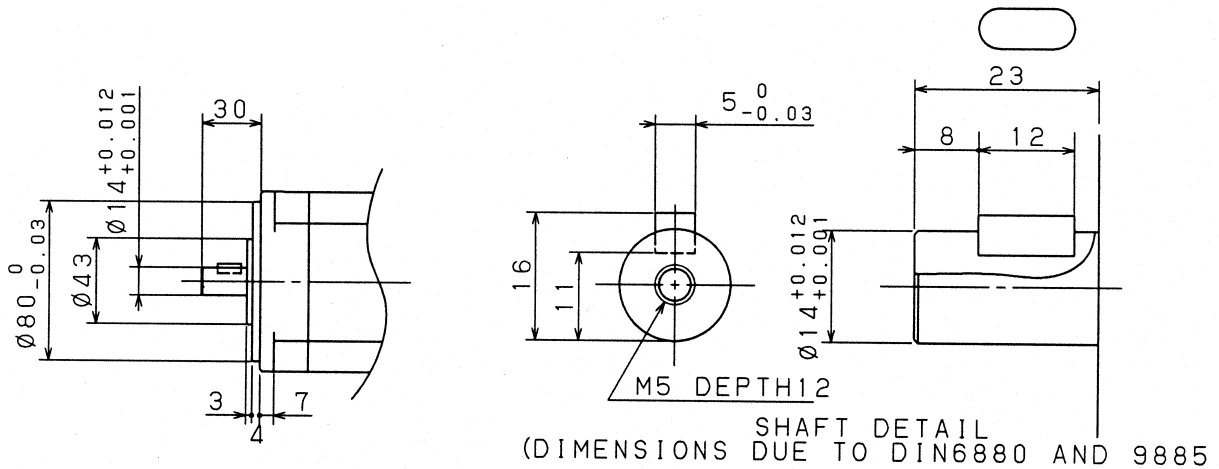
- $\phi 14$ straight shaft



- $\phi 10$ straight shaft with key way



- $\phi 14$ straight shaft with key way



7.1.3 Allowable Axis Load

The allowable axis load is indicated below.
For details of the allowable axis load, see Chapter 3, "USAGE".

Radial load	Axial load	(Reference) Front bearing specification
245[N] (25 [kgf])	78[N] (8 [kgf])	6003

7.1.4 Shaft Run-out Precision

The shaft run-out precision is indicated below.
For details of the shaft run-out precision, see Chapter 3, "USAGE".

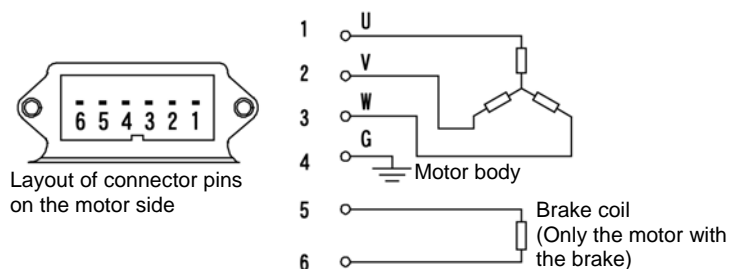
Shaft dia. run-out	Faucet joint run-out	Mounting face run-out
0.02mm or less	0.04mm or less	0.05mm or less

7.1.5 Power and Brake Connector

Manufacture: Tyco Electronics AMP
Manufacturer specification: 1473060-2

The power and brake connector has a dripproof property when engaged with the connector on the cable side.

The following shows the shape and pin layout of the power connector.



NOTE

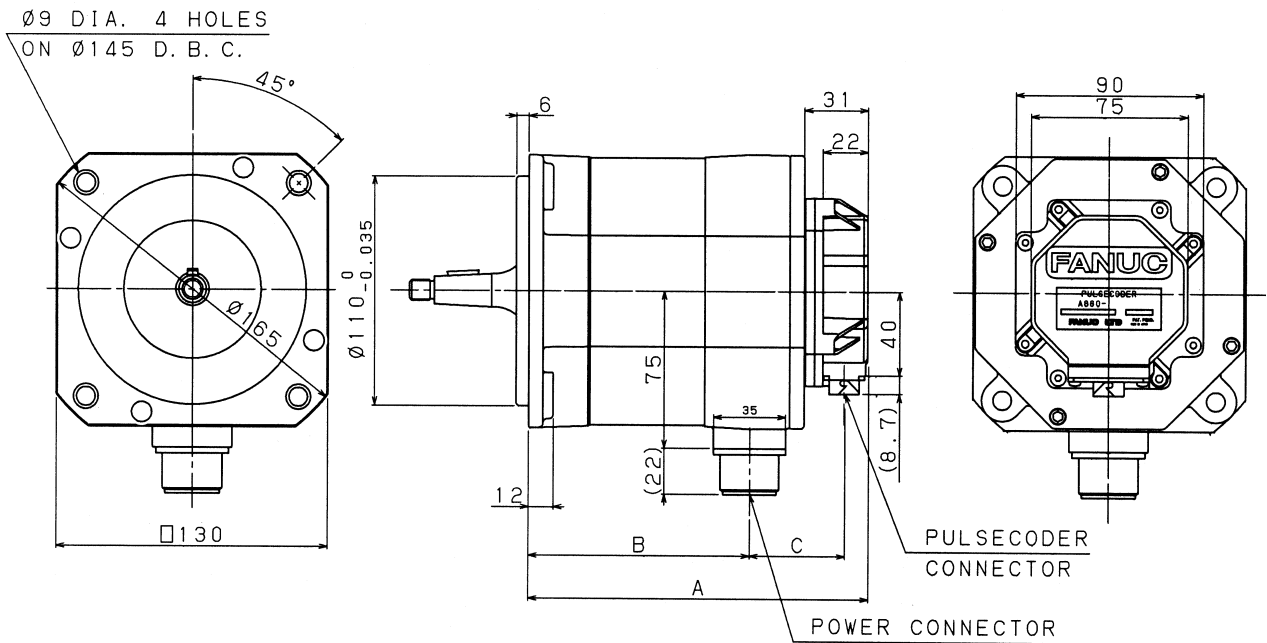
No surge absorber for brake is contained in the motor.
Prepare a surge absorber in the power magnetics cabinet.

For the specifications, shape, and pin layout of the pulsecoder connector, see Section 8.1, "PULSECODER".

7.2 MODELS αiS 8 to αiS 12, αiS 8HV to αiS 12HV, αiF 4 to αiF 8, αiF 4HV to αiF 8HV

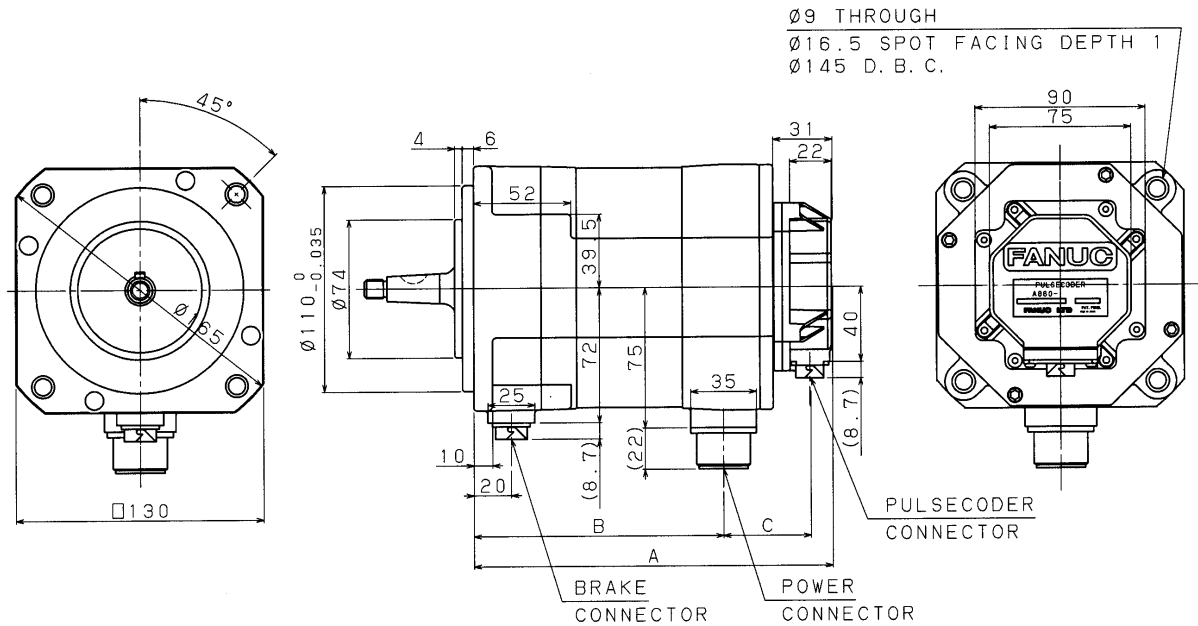
7.2.1 Outline Drawing of the Motors

Outline drawing of the motors (standard)



MODEL	A	B	C
αiS 8, αiS 8 HV, αiF 4, αiF 4HV	166	108	47
αiS 12, αiS 12 HV αiF 8, αiF 8 HV	222	164	

Outline drawing of the motors (with a brake)



MODEL	A	B	C
<i>aiS</i> 8, <i>aiS</i> 8 HV, <i>aiF</i> 4, <i>aiF</i> 4HV	191	133	47
<i>aiS</i> 12, <i>aiS</i> 12 HV <i>aiF</i> 8, <i>aiF</i> 8 HV	247	189	

7.2.2 Shaft Shape

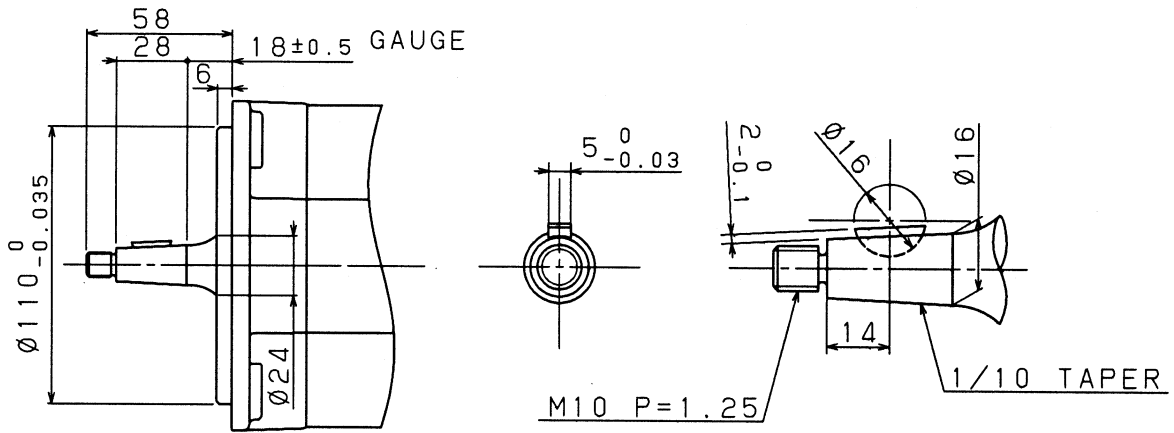
Shaft shape types

The shafts of the motors have the following shapes:

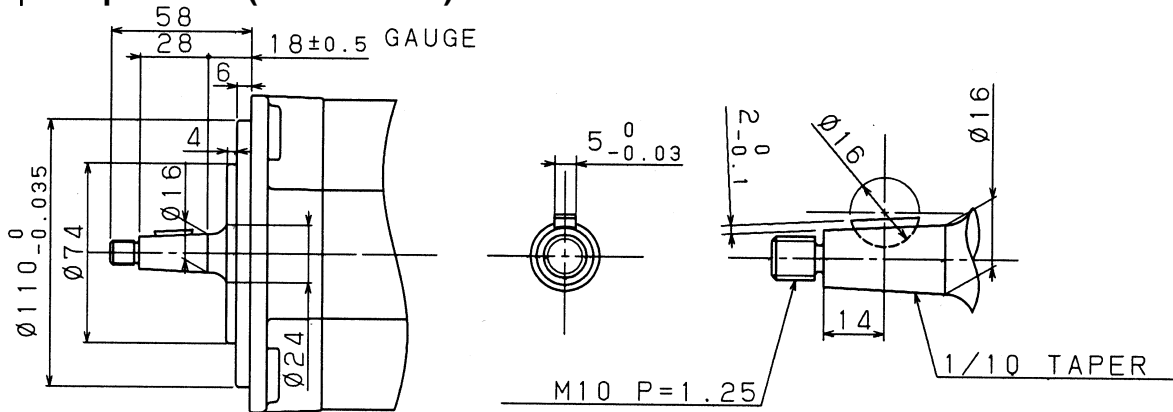
	Taper shaft	Straight shaft	Straight shaft with key way
<i>aiS</i> 8/4000	φ 16	φ 19	φ 19
<i>aiS</i> 8/6000	φ 16	φ 19	φ 19
<i>aiS</i> 12/4000	φ 16	φ 24	φ 24
<i>aiS</i> 12/6000	φ 16	φ 24	φ 24
<i>aiS</i> 8/4000 HV	φ 16	φ 19	φ 19
<i>aiS</i> 8/6000 HV	φ 16	φ 19	φ 19
<i>aiS</i> 12/4000 HV	φ 16	φ 24	φ 24
<i>aiS</i> 12/6000 HV	φ 16	φ 24	φ 24
<i>aiF</i> 4/4000	φ 16	φ 19	φ 19
<i>aiF</i> 8/3000	φ 16	φ 19	φ 19
<i>aiF</i> 4/4000 HV	φ 16	φ 19	φ 19
<i>aiF</i> 8/3000 HV	φ 16	φ 19	φ 19

Shaft details

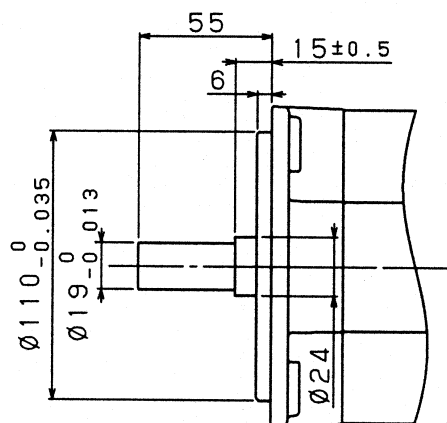
- $\phi 16$ taper shaft (standard)



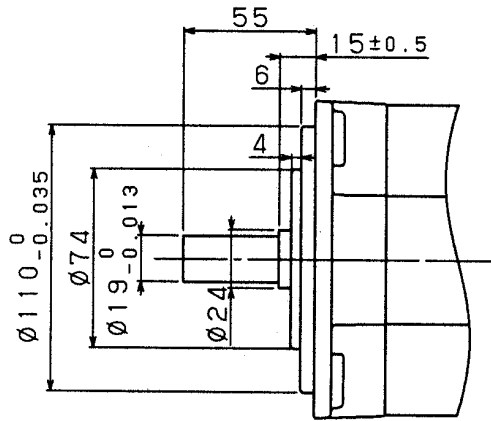
- $\phi 16$ taper shaft (with a brake)



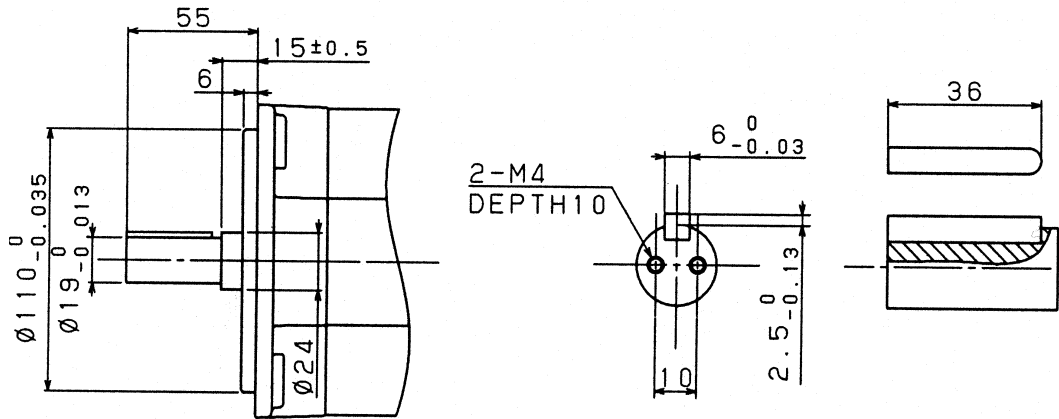
- $\phi 19$ straight shaft (standard)



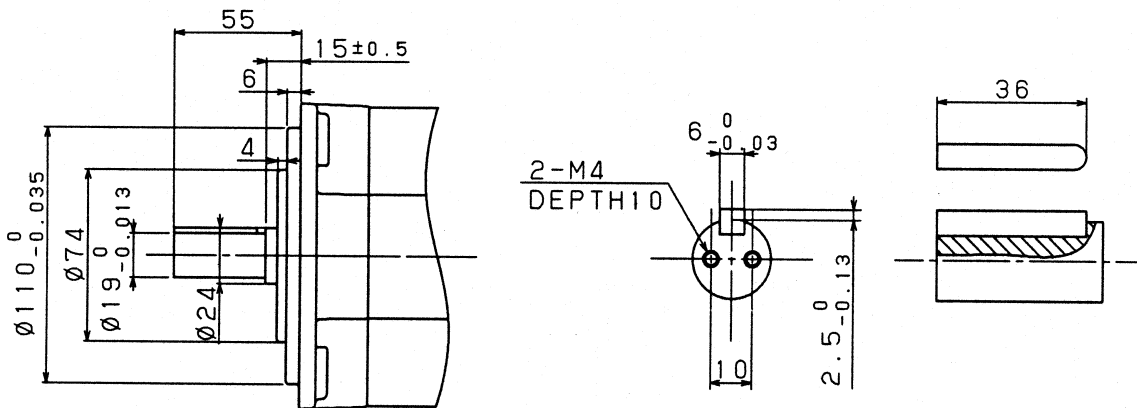
- $\phi 19$ straight shaft (with a brake)



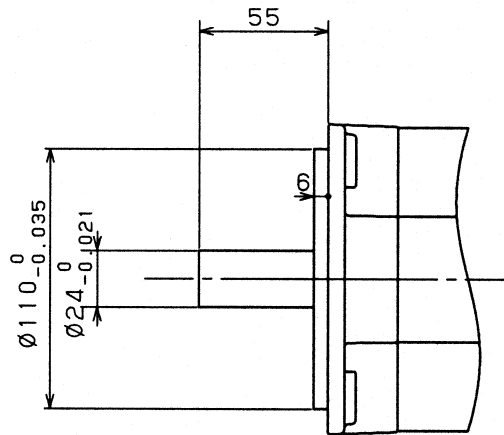
- $\phi 19$ straight shaft with key way (standard)



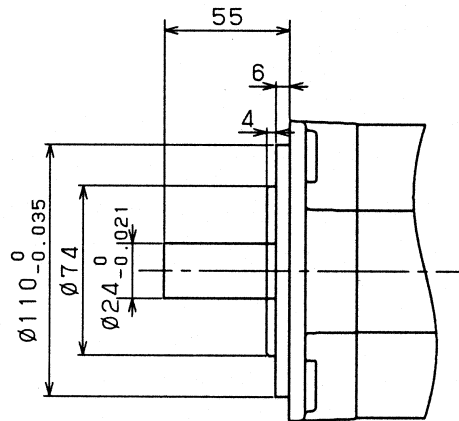
- $\phi 19$ straight shaft with key way (with a brake)



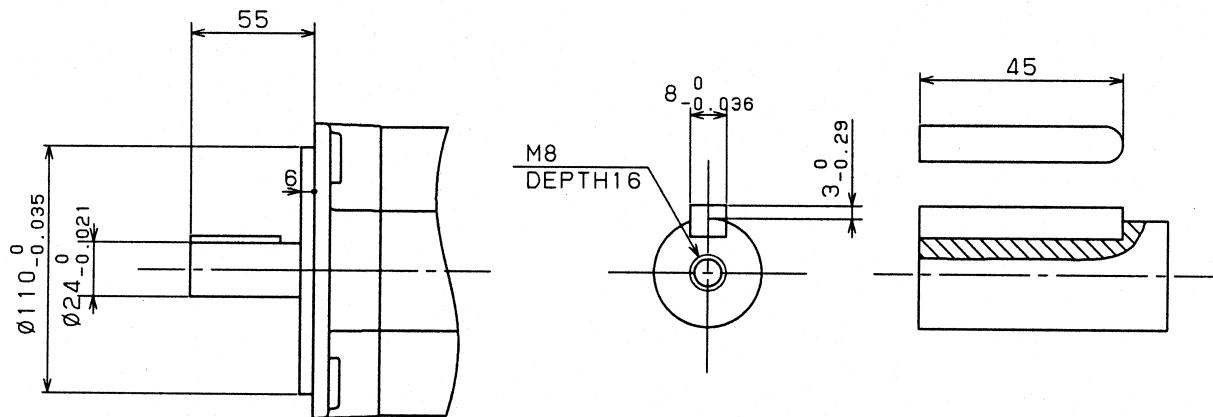
- $\phi 24$ straight shaft (standard)



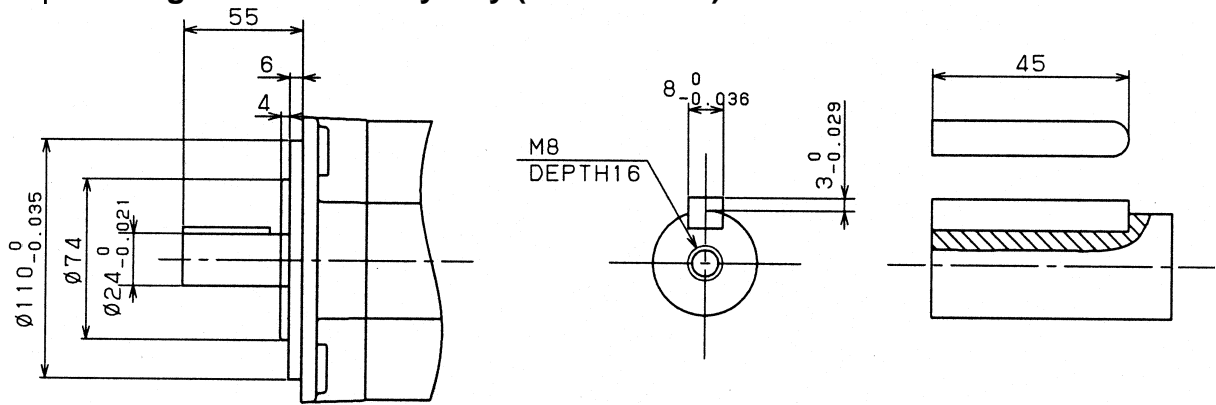
- $\phi 24$ straight shaft (with a brake)



- $\phi 24$ straight shaft with key way (standard)



- $\phi 24$ straight shaft with key way (with a brake)



7.2.3 Allowable Axis Load

The allowable axis load is indicated below.
 For details of the allowable axis load, see Chapter 3, “USAGE”.

Radial load	Axial load	(Reference) Front bearing specification
686[N] (70 [kgf])	196[N] (20 [kgf])	6205

7.2.4 Shaft Run-out Precision

The shaft run-out precision is indicated below.
 For details of the shaft run-out precision, see Chapter 3, “USAGE”.

Shaft dia. run-out	Faucet joint run-out	Mounting face run-out
0.02mm or less	0.04mm or less	0.05mm or less

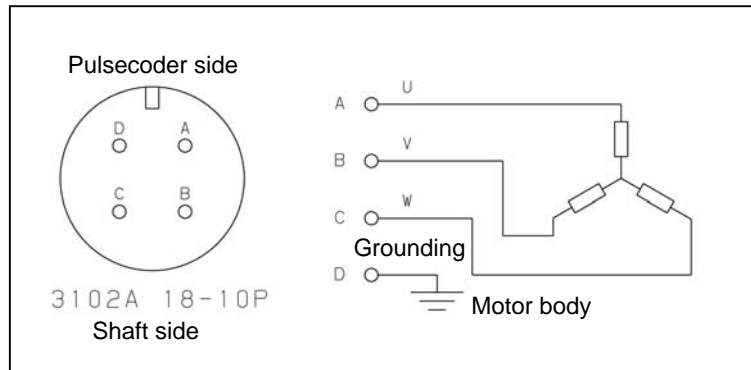
7.2.5 Power Connector

Manufacture: Hirose Electric

Manufacturer specification: H/MS3102A18-10P-D-T(10)

As the power connector a receptacle connector having a dripproof property by itself (when it is not engaged) is used as standard. Strictly speaking, this power connector does not meet the MS standard, but it can be used as a connector compatible with the MS-standard round connector.

The following shows the shape and pin layout of the power connector.

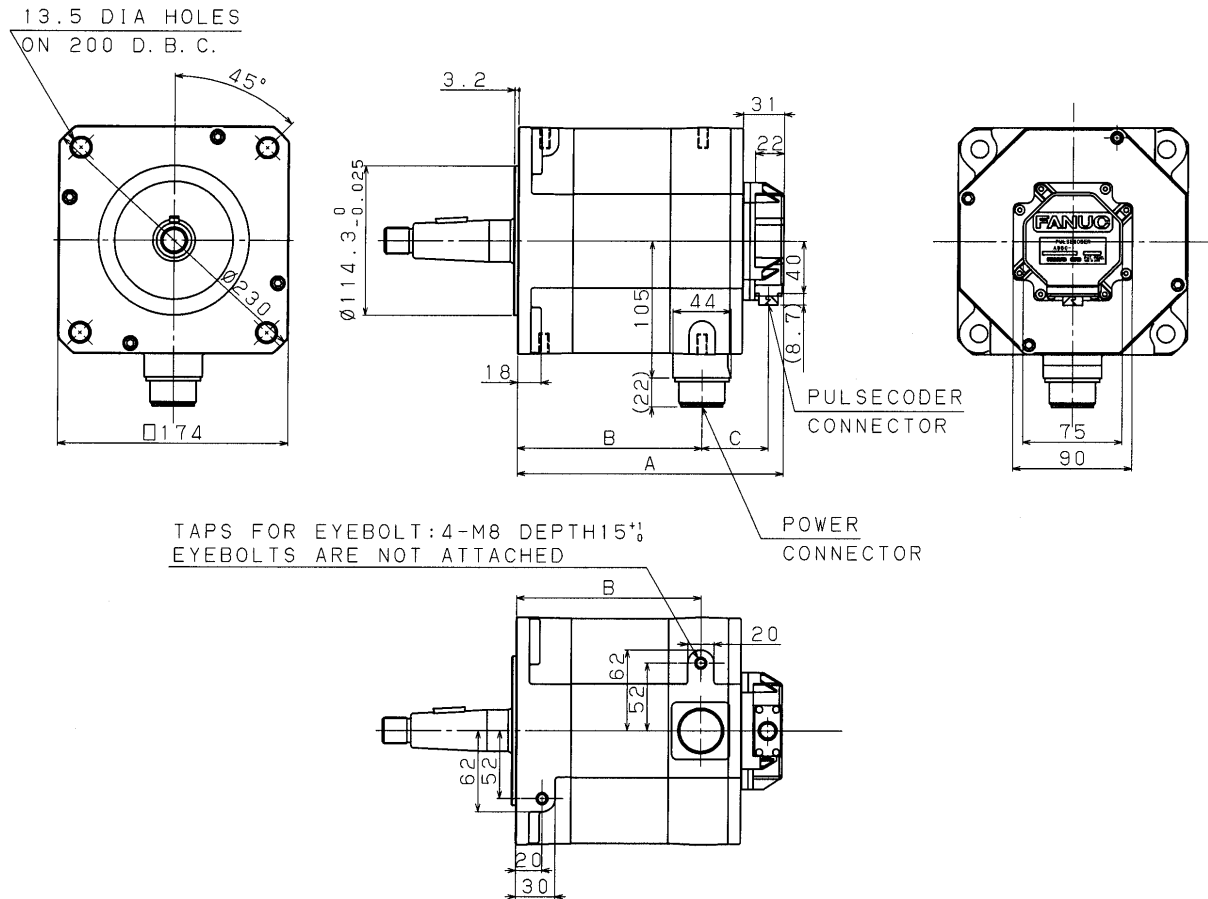


For the specifications, shapes, and pin layouts of the connectors of the pulsecoder and brake, see Section 8.1, "PULSECODER".

7.3 MODELS αiS 22 to αiS 60 with FAN, αiS 22HV to αiS 60HV with FAN, αiF 12 to αiF 40 with FAN, αiF 12HV to αiF 22HV

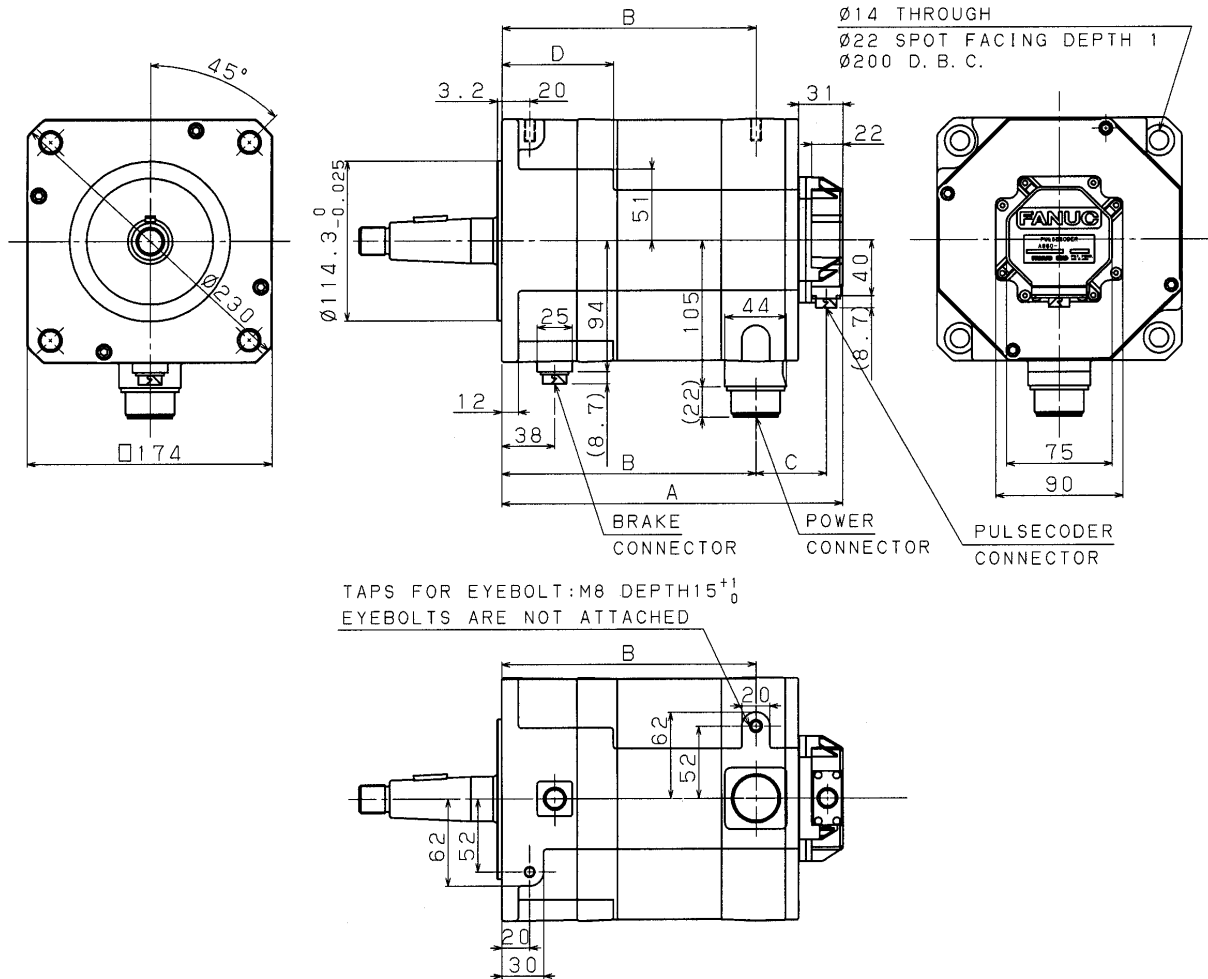
7.3.1 Outline Drawing of the Motors

Outline drawing of the motors (standard)



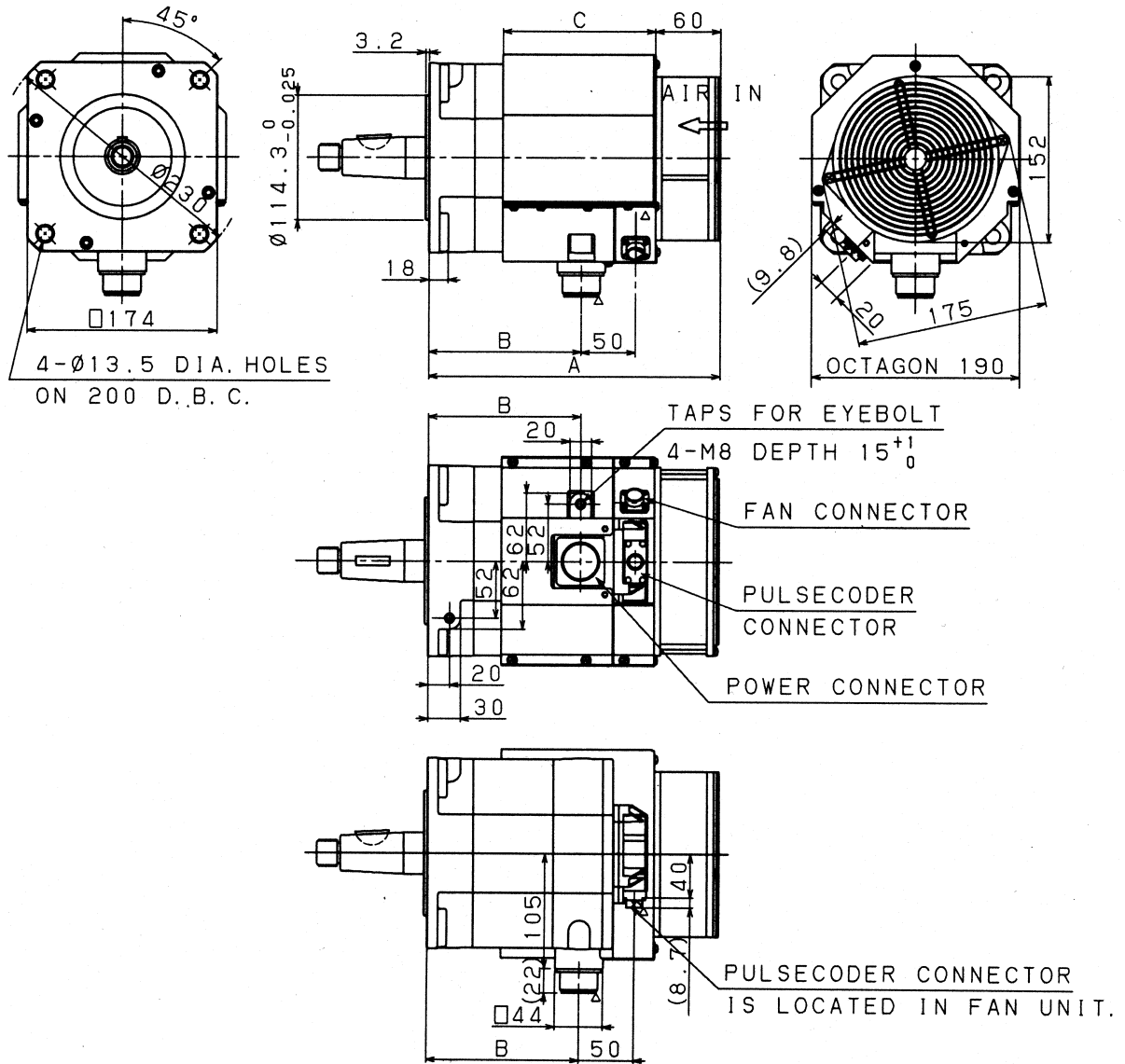
MODEL	A	B	C
αiS 22, αiS 22 HV αiF 12, αiF 12 HV	202	141	50
αiS 30, αiS 30 HV	239	178	
αiS 40, αiS 40 HV αiF 22, αiF 22 HV	276	215	
αiS 50, αiS 50 HV αiF 30	350	289	
αiS 60, αiS 60 HV αiF 40	424	363	

Outline drawing of the motors (with a brake)



MODEL	BRAKE	A	B	C	D
<i>aiS</i> 22, <i>aiS</i> 22 HV, <i>aiF</i> 12, <i>aiF</i> 12 HV	35N·m	243	182	50	80
<i>aiS</i> 30, <i>aiS</i> 30 HV		280	219		
<i>aiS</i> 40, <i>aiS</i> 40 HV, <i>aiF</i> 22, <i>aiF</i> 22 HV		317	256		
<i>aiF</i> 30		391	330		
<i>aiF</i> 40		465	404		
<i>aiS</i> 40, <i>aiS</i> 40 HV	70N·m	342	281	50	105
<i>aiS</i> 50, <i>aiS</i> 50 HV		416	355		
<i>aiS</i> 60, <i>aiS</i> 60 HV <i>aiF</i> 40		490	429		

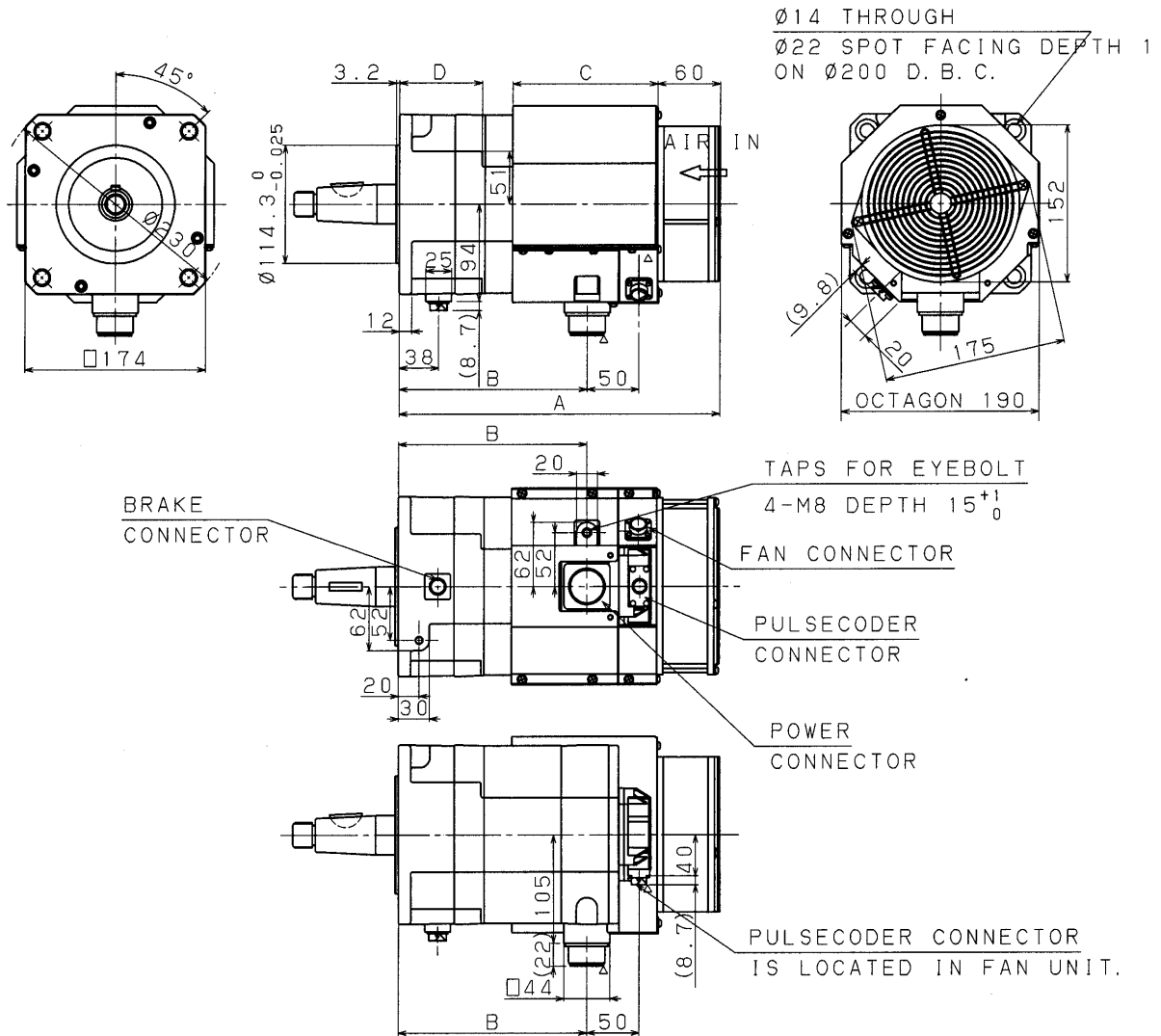
Outline drawing of the motors (with a fan)



MODEL	A	B	C
<i>αiS</i> 50, <i>αiS</i> 50 HV	416	289	288
<i>αiS</i> 60, <i>αiS</i> 60 HV	490	363	
<i>αiF</i> 40			

The motor does not include a circuit breaker for protecting the fan. Prepare such a circuit breaker in the power magnetics cabinet.

Outline drawing of the motors (with a fan and brake)



MODEL	BRAKE	A	B	C	D
<i>aiS</i> 50, <i>aiS</i> 50HV	35N·m	457	330	288	80
<i>aiS</i> 60, <i>aiS</i> 60HV <i>aiF</i> 40		531	404		
<i>aiS</i> 50, <i>aiS</i> 50HV	70N·m	482	355	288	105
<i>aiS</i> 60, <i>aiS</i> 60HV <i>aiF</i> 40		556	429		

The motor does not include a circuit breaker for protecting the fan. Prepare such a circuit breaker in the power magnetics cabinet.

7.3.2 Shaft Shape

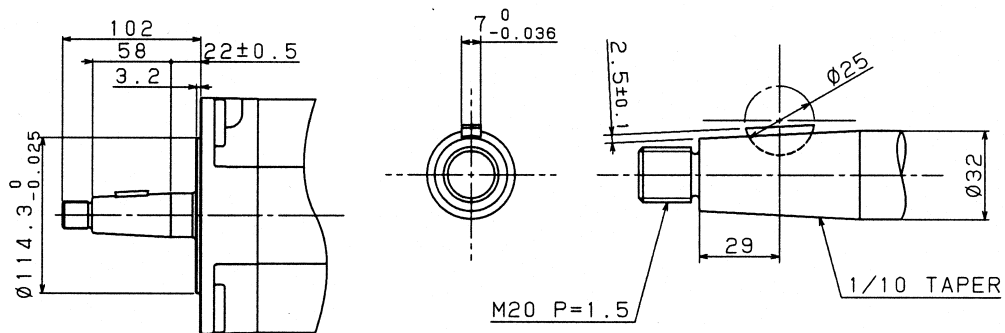
Shaft shape types

The shafts of the motors have the following shapes:

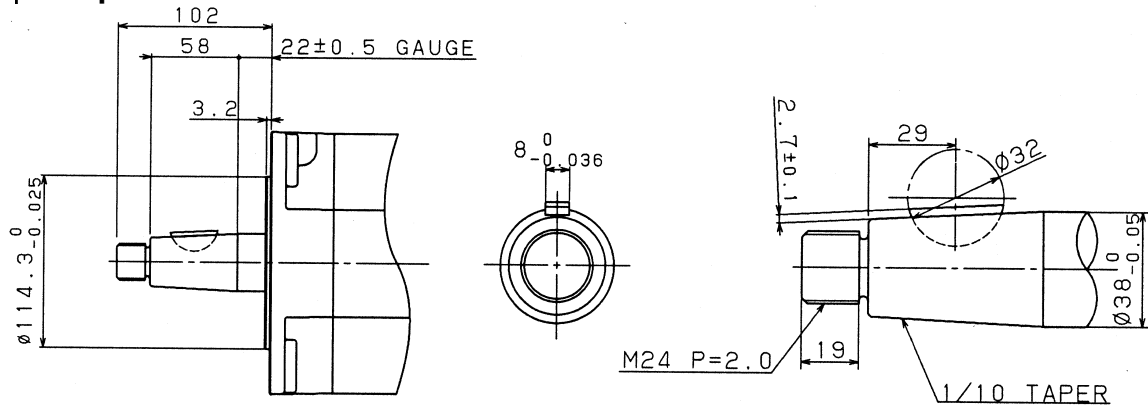
	Taper shaft	Straight shaft	Straight shaft with key way
<i>αiS</i> 22/4000	φ 32	φ 35	φ 35
<i>αiS</i> 22/6000	φ 32	φ 35	φ 35
<i>αiS</i> 30/4000	φ 32	φ 35	φ 35
<i>αiS</i> 40/4000	φ 32	φ 35	φ 35
<i>αiS</i> 50/2000	φ 38	φ 35	—
<i>αiS</i> 60/2000	φ 38	φ 35	—
<i>αiS</i> 50/3000 with fan	φ 38	φ 35	—
<i>αiS</i> 60/3000 with fan	φ 38	φ 35	—
<i>αiS</i> 22/4000 HV	φ 32	φ 35	φ 35
<i>αiS</i> 22/6000 HV	φ 32	φ 35	φ 35
<i>αiS</i> 30/4000 HV	φ 32	φ 35	φ 35
<i>αiS</i> 40/4000 HV	φ 32	φ 35	φ 35
<i>αiS</i> 50/2000 HV	φ 38	φ 35	—
<i>αiS</i> 60/2000 HV	φ 38	φ 35	—
<i>αiS</i> 50/3000 HV with fan	φ 38	φ 35	—
<i>αiS</i> 60/3000 HV with fan	φ 38	φ 35	—
<i>αiF</i> 12/3000	φ 32	φ 35	φ 35
<i>αiF</i> 22/3000	φ 32	φ 35	φ 35
<i>αiF</i> 30/3000	φ 32	φ 35	φ 35
<i>αiF</i> 40/3000	φ 38	φ 35	φ 35
<i>αiF</i> 40/3000 with fan	φ 38	φ 35	φ 35
<i>αiF</i> 12/3000 HV	φ 32	φ 35	φ 35
<i>αiF</i> 22/3000 HV	φ 32	φ 35	φ 35

Shaft details

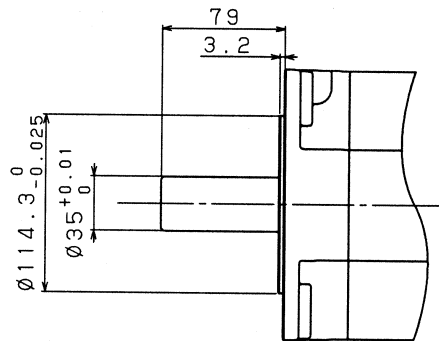
- φ32 taper shaft



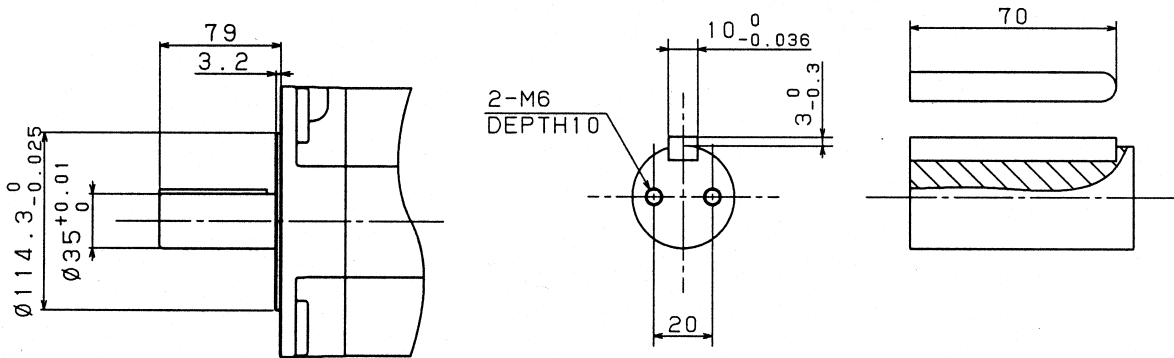
- **φ38 taper shaft**



- **φ35 straight shaft**



- **φ35 straight shaft with key way**



7.3.3 Allowable Axis Load

The allowable axis load is indicated below.
 For details of the allowable axis load, see Chapter 3, "USAGE".

Radial load	Axial load	(Reference) Front bearing specification
1960[N] (200 [kgf])	588[N] (60 [kgf])	6208

7.3.4 Shaft Run-out Precision

The shaft run-out precision is indicated below.

For details of the shaft run-out precision, see Chapter 3, "USAGE".

Shaft dia. run-out	Faucet joint run-out	Mounting face run-out
0.03mm or less	0.05mm or less	0.06mm or less

7.3.5 Connector

Types of power connectors

The following power connectors are used for the motors:

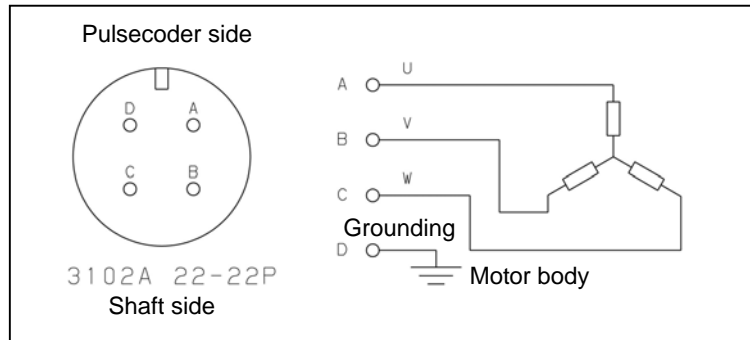
Motor	Power connector
<i>αiS</i> 22/4000	MS 22-22P compatible connector
<i>αiS</i> 22/6000	MS 22-22P compatible connector
<i>αiS</i> 30/4000	MS 22-22P compatible connector
<i>αiS</i> 40/4000	MS 22-22P compatible connector
<i>αiS</i> 50/2000	MS 22-22P compatible connector
<i>αiS</i> 60/2000	MS 22-22P compatible connector
<i>αiS</i> 50/3000 with fan	MS 24-10P compatible connector
<i>αiS</i> 60/3000 with fan	MS 24-10P compatible connector
<i>αiS</i> 22/4000 HV	MS 22-22P compatible connector
<i>αiS</i> 22/6000 HV	MS 22-22P compatible connector
<i>αiS</i> 30/4000 HV	MS 22-22P compatible connector
<i>αiS</i> 40/4000 HV	MS 22-22P compatible connector
<i>αiS</i> 50/2000 HV	MS 22-22P compatible connector
<i>αiS</i> 60/2000 HV	MS 22-22P compatible connector
<i>αiS</i> 50/3000 HV with fan	MS 22-22P compatible connector
<i>αiS</i> 60/3000 HV with fan	MS 22-22P compatible connector
<i>αiF</i> 12/3000	MS 22-22P compatible connector
<i>αiF</i> 22/3000	MS 22-22P compatible connector
<i>αiF</i> 30/3000	MS 22-22P compatible connector
<i>αiF</i> 40/3000	MS 22-22P compatible connector
<i>αiF</i> 40/3000 with fan	MS 22-22P compatible connector
<i>αiF</i> 12/3000 HV	MS 22-22P compatible connector
<i>αiF</i> 22/3000 HV	MS 22-22P compatible connector

MS22-22P compatible connector

Manufacture: Japan Aviation Electronics Industry
 Manufacturer specification: JL04 HV-2E22-22PE-BT-R

As the power connector a receptacle connector having a dripproof property by itself (when it is not engaged) is used as standard. Strictly speaking, this power connector does not meet the MS standard, but it can be used as a connector compatible with the MS-standard round connector.

The following shows the specification, shape, and pin layout of the power connector.

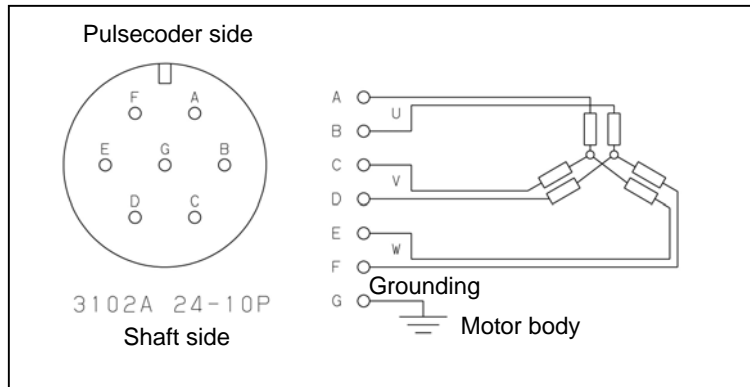


MS24-10P compatible connector

Manufacture: Japan Aviation Electronics Industry
 Manufacturer specification: JL04V-2E24-10PE(G)-B-R

As the power connector a receptacle connector having a dripproof property by itself (when it is not engaged) is used as standard. Strictly speaking, this power connector does not meet the MS standard, but it can be used as a connector compatible with the MS-standard round connector.

The following shows the specification, shape, and pin layout of the power connector.

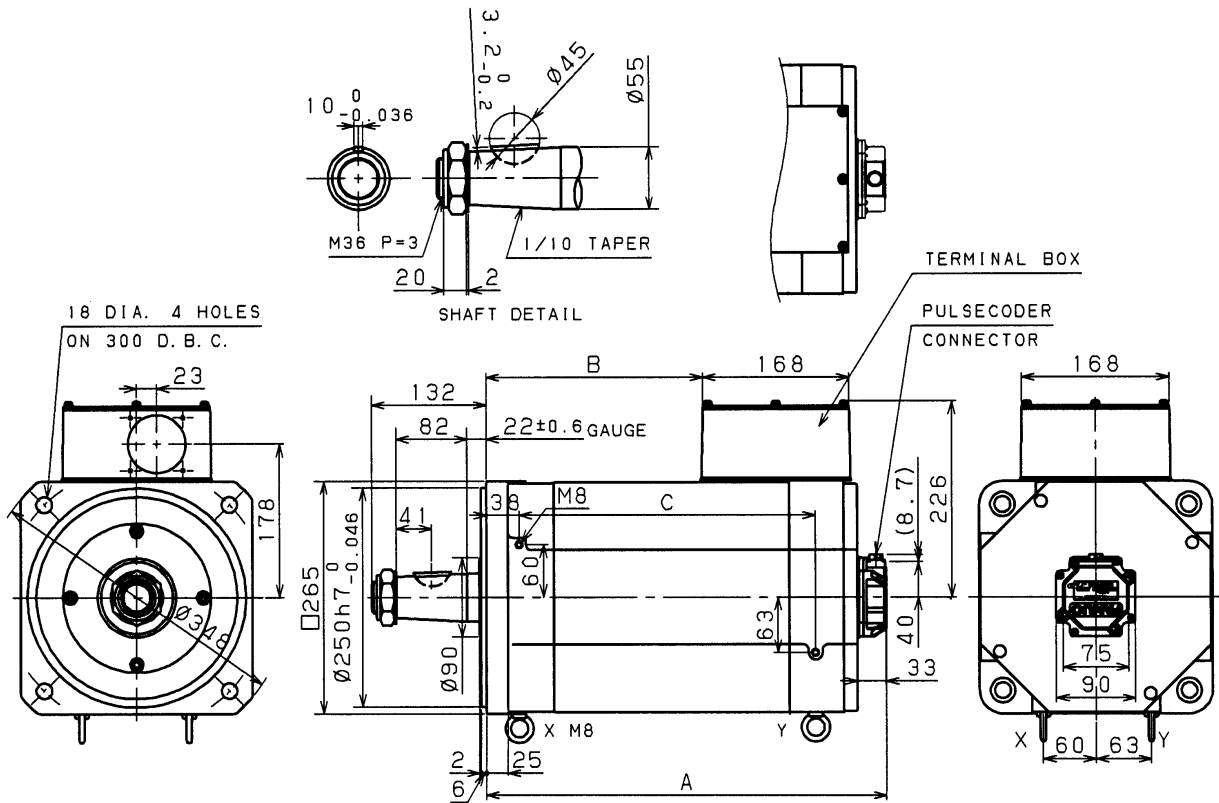


For the specifications, shapes, and pin layouts of the connectors of the pulsecoder, brake, and fan, see separate chapters.

7.4 MODELS *αiS* 100 to *αiS* 200 with FAN, *αiS* 100HV to *αiS* 200HV with FAN

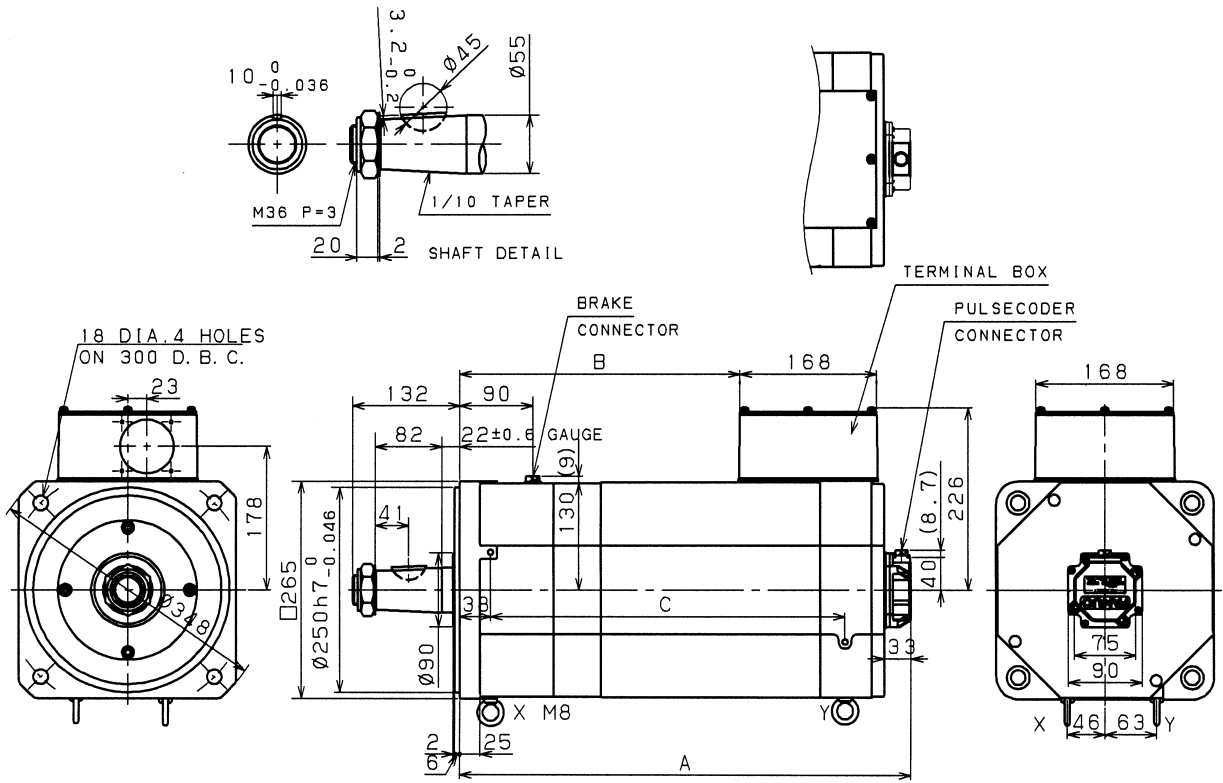
7.4.1 Outline Drawing of the Motors

Outline drawing of the motors (standard)



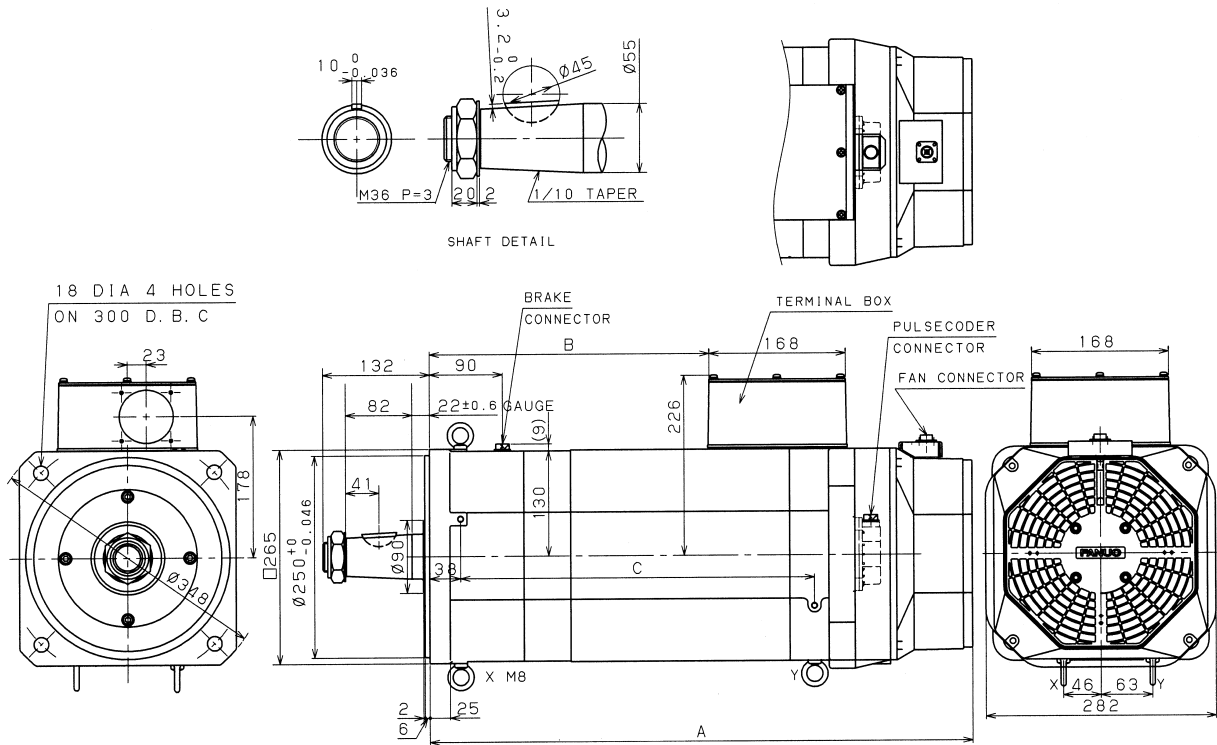
MODEL	A	B	C
<i>αiS</i> 100, <i>αiS</i> 100 HV	339	129	220
<i>αiS</i> 200, <i>αiS</i> 200 HV	459	249	340

Outline drawing of the motors (with a brake)



MODEL	A	B	C
αiS 100, αiS 100 HV	435	225	316
αiS 200, αiS 200 HV	555	345	436

Outline drawing of the motors (with a fan and brake)



MODEL	A	B	C
<i>α</i> iS 100 with fan and <i>α</i> iS 100 HV with fan	548	225	316
<i>α</i> iS 200 with fan and <i>α</i> iS 200 HV with fan	668	345	436

The motor does not include a circuit breaker for protecting the fan. Prepare such a circuit breaker in the power magnetics cabinet.

7.4.2 Allowable Axis Load

The allowable axis load is indicated below.
For details of the allowable axis load, see Chapter 3, “USAGE”.

Radial load	Axial load	(Reference) Front bearing specification
8820[N] (900 [kgf])	2450[N] (250 [kgf])	6312

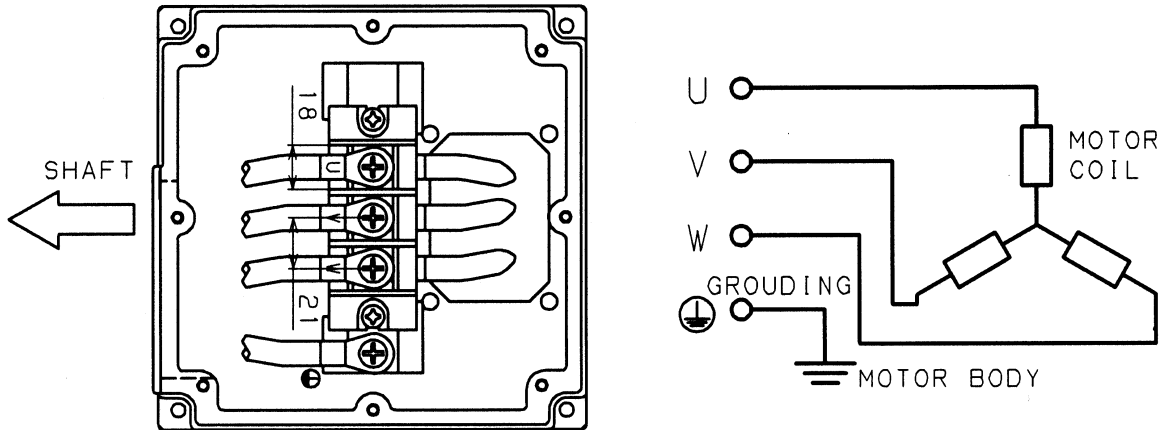
7.4.3 Shaft Run-out Precision

The shaft run-out precision is indicated below.
For details of the shaft run-out precision, see Chapter 3, “USAGE”.

Shaft dia. run-out	Faucet joint run-out	Mounting face run-out
0.05mm or less	0.06mm or less	0.08mm or less

7.4.4 Power Terminal Layout

The following shows the power terminal layout in the terminal box.

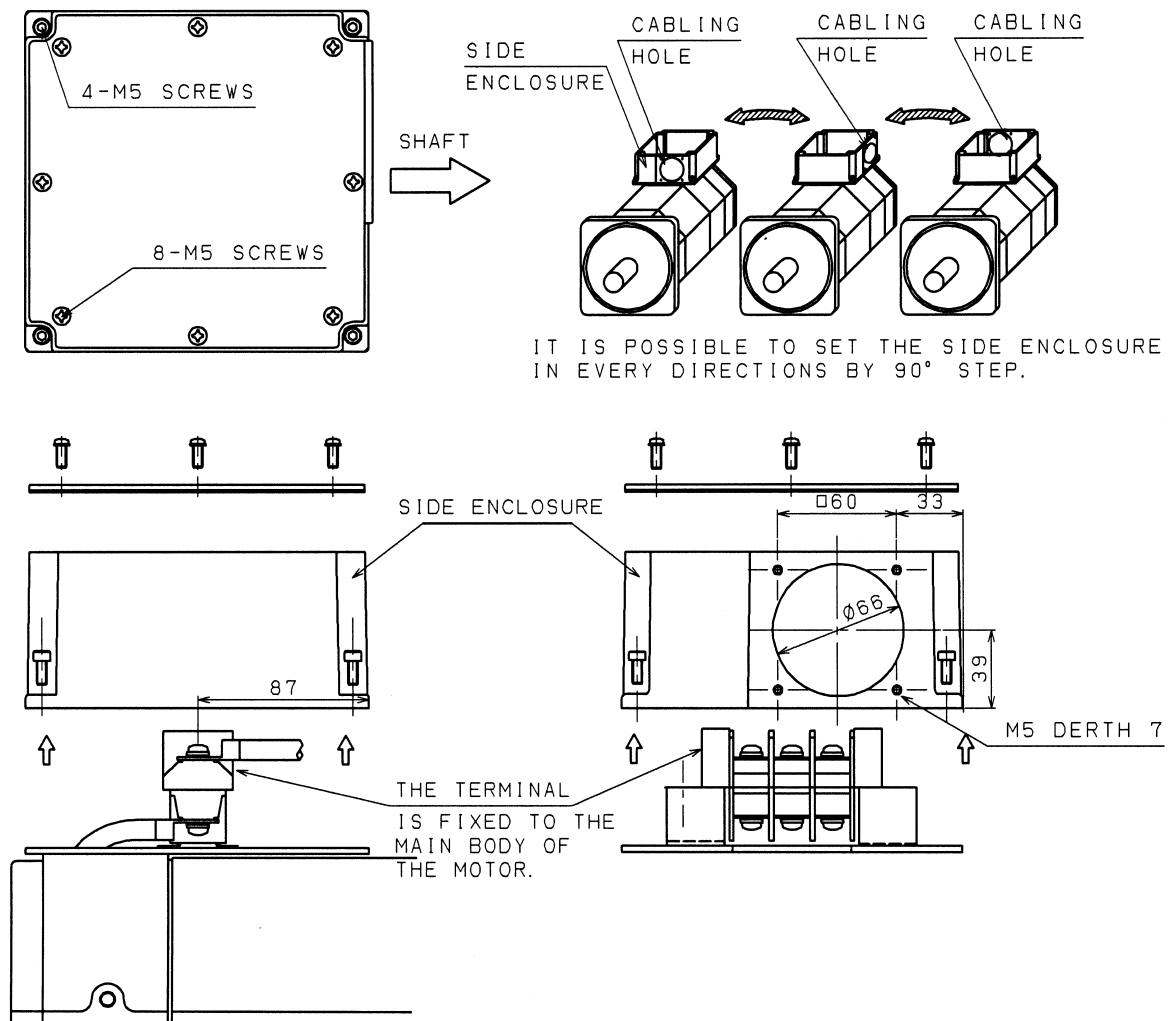


Power terminal size and ground terminal size: M6
Tightening torque: 3.5 N·m to 4.5 N·m

⚠ CAUTION

- 1 Securely connect power wires and short bars to the terminal block with the specified tightening torque according to the procedure described in this section. If the motor runs with a terminal loosely connected, the terminal block may get abnormally hot, resulting in a fire. The terminal may also be disconnected, resulting in a ground fault, short circuit, or electric shock.
- 2 To keep the insulation distance, note the following points:
When attaching a crimp terminal to the end of a power wire, always cover the crimping section of the crimp terminal with an insulating tube.
When an insulating cover is mounted on the terminal block, screw the power wires and remount the cover in place before using the motor.

7.4.5 Cabling

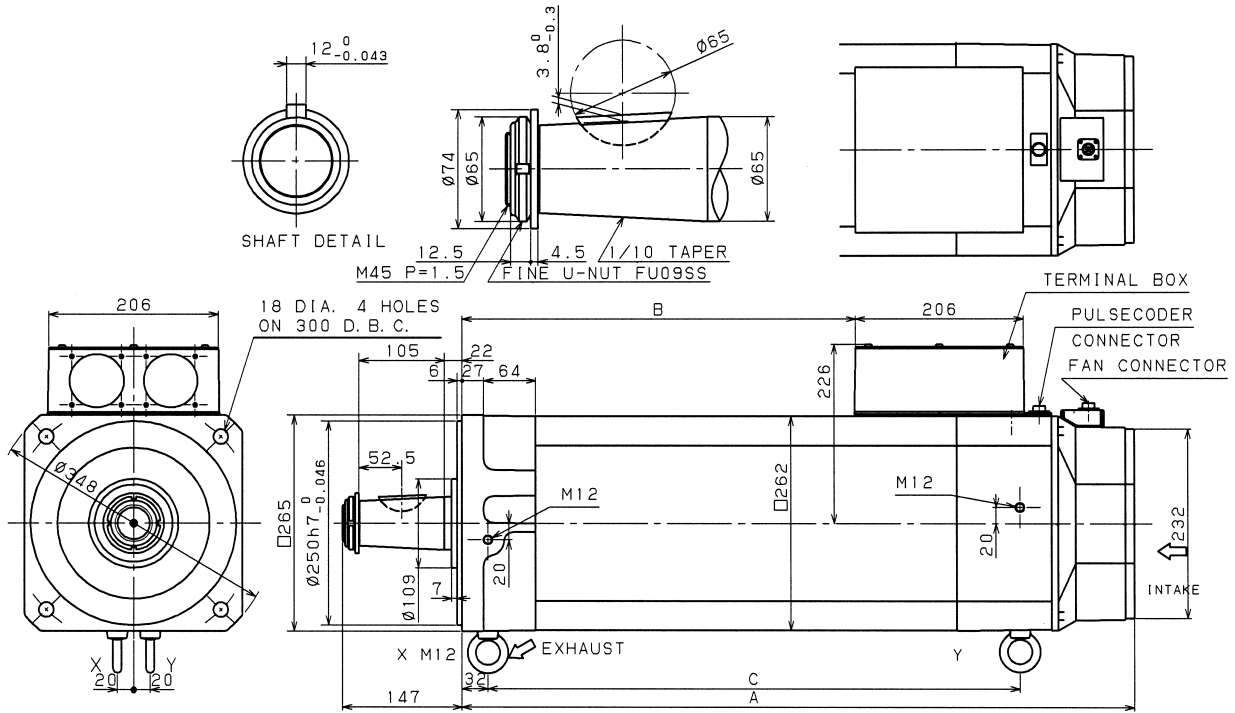


1. Before cabling, the motor can be dismantled by removing the four M5 hexagon socket head bolts and the eight M5 pan head screws. At the time of installation, check that the waterproofing rubber packing is not damaged, then install it with a tightening torque of 2.0 N·m to 2.5 N·m. At this time, ensure that foreign matter is not caught.
2. To meet the IP level, a protection such as a conduit is required for the cabling hole. See Subsection 3.1.2, "Usage Considering Environmental Resistance".
3. The enclosure of the terminal box can be oriented in any direction in steps of 90°.
4. For the specifications, shapes, and pin layouts of the connectors of the pulsecoder, brake, and fan, see separate chapters.

7.5 MODELS *aiS* 300, *aiS* 500, *aiS* 300 HV, AND *aiS* 500 HV

7.5.1 Outline Drawing of the Motors

Outline drawing of the motors (standard)



MODEL	A	B	C
<i>aiS</i> 300, <i>aiS</i> 300 HV	620	279	448
<i>aiS</i> 500, <i>aiS</i> 500 HV	828	487	656

The motor does not include a circuit breaker for protecting the fan. Prepare such a circuit breaker in the power magnetics cabinet.

7.5.2 Allowable Axis Load

The allowable axis load is indicated below.
For details of the allowable axis load, see Chapter 3, "USAGE".

Radial load	Axial load	(Reference) Front bearing specification
11760[N] (1200 [kgf])	1960[N] (200 [kgf])	NU2214

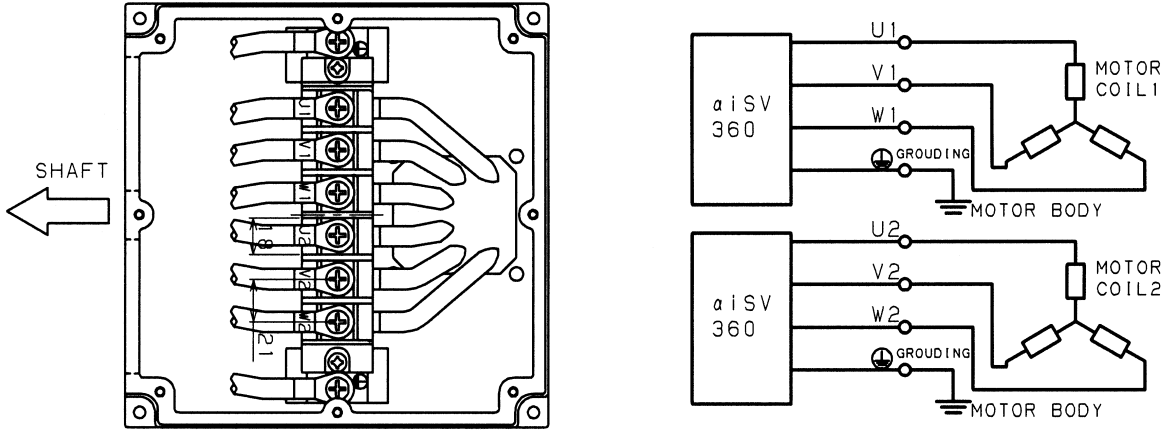
7.5.3 Shaft Run-out Precision

The shaft run-out precision is indicated below.
For details of the shaft run-out precision, see Chapter 3, "USAGE".

Shaft dia. run-out	Faucet joint run-out	Mounting face run-out
0.06mm or less	0.06mm or less	0.08mm or less

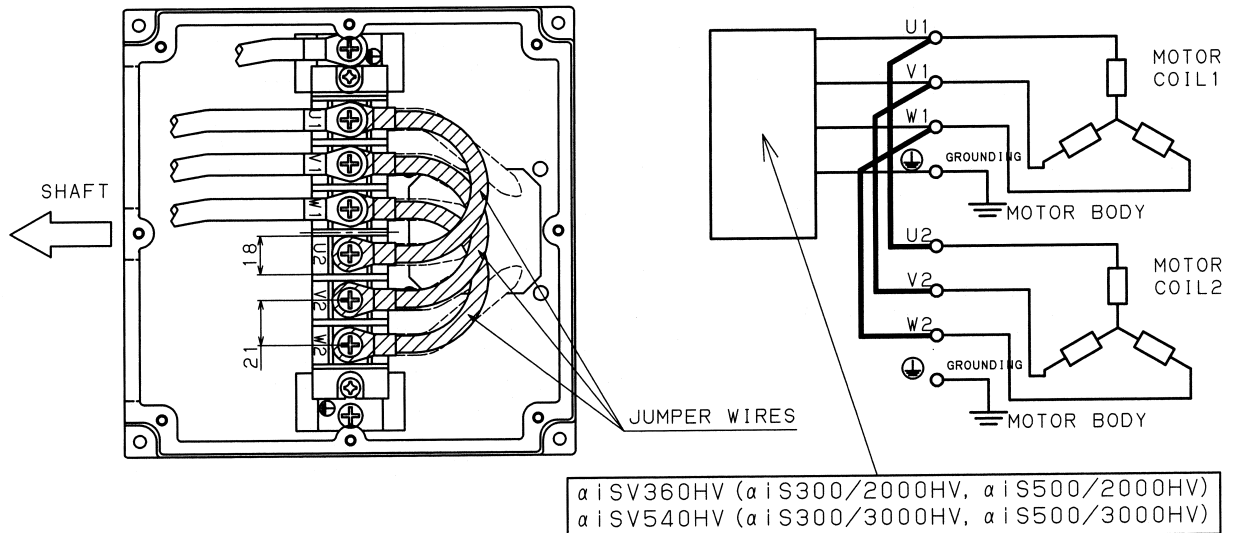
7.5.4 Power Terminal Layout (for αiS 300 and αiS 500)

The following shows the power terminal layout in the terminal box.



Power terminal size and ground terminal size: M6
 Tightening torque: 3.5 N·m to 4.5 N·m

7.5.5 Power Terminal Layout (for αiS 300HV and αiS 500HV)



Power terminal size and ground terminal size: M6
 Tightening torque: 3.5 N·m to 4.5 N·m

7.6.3 Shaft Run-out Precision

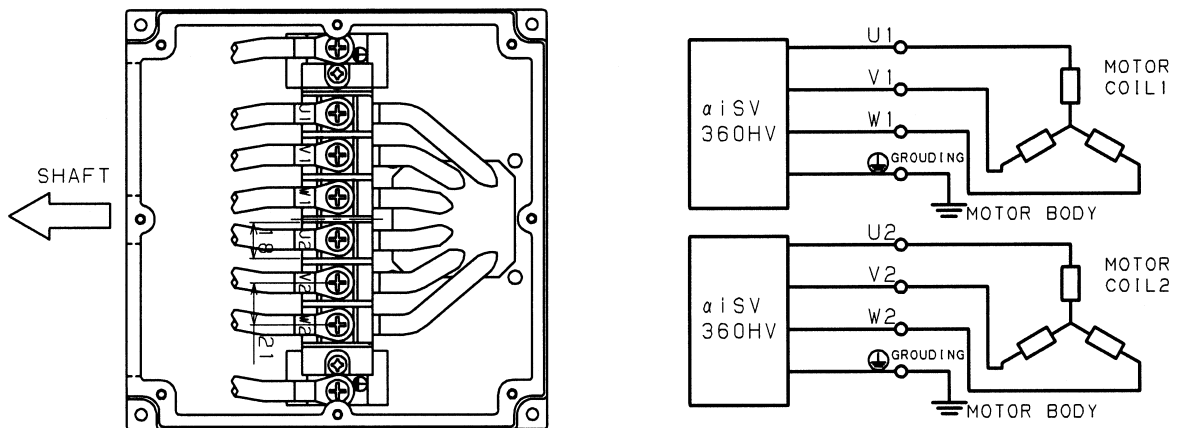
The shaft run-out precision is indicated below.

For details of the shaft run-out precision, see Chapter 3, "USAGE".

Shaft dia. run-out	Faucet joint run-out	Mounting face run-out
0.08mm or less	0.11mm or less	0.14mm or less

7.6.4 Power Terminal Layout

The following shows the power terminal layout in the terminal box.



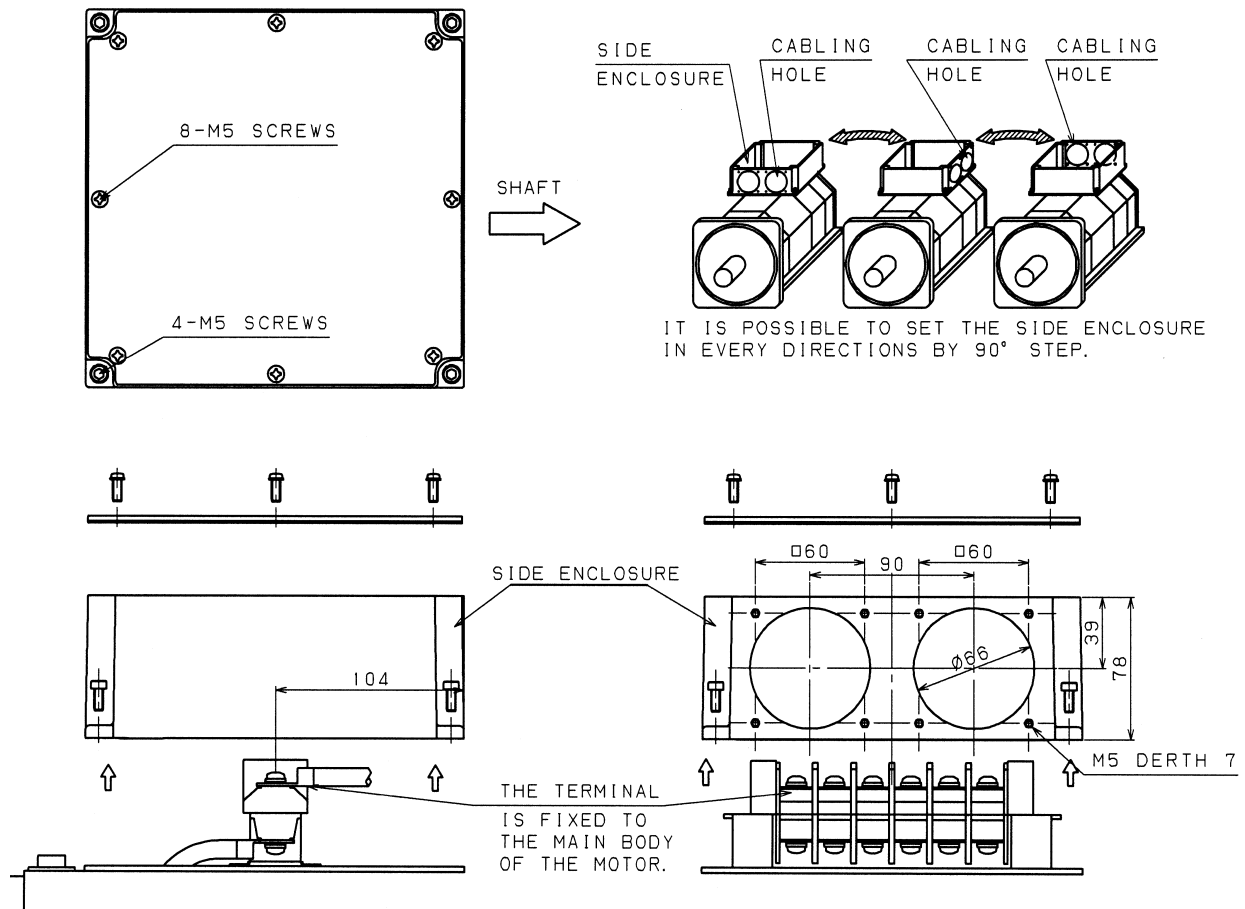
Power terminal size and ground terminal size: M6

Tightening torque: 3.5 N·m to 4.5 N·m

⚠ CAUTION

- 1 Securely connect power wires and short bars to the terminal block with the specified tightening torque according to the procedure described in this section. If the motor runs with a terminal loosely connected, the terminal block may get abnormally hot, resulting in a fire. The terminal may also be disconnected, resulting in a ground fault, short circuit, or electric shock.
- 2 To keep the insulation distance, note the following points:
When attaching a crimp terminal to the end of a power wire, always cover the crimping section of the crimp terminal with an insulating tube.
When an insulating cover is mounted on the terminal block, screw the power wires and remount the cover in place before using the motor.

7.6.5 Cabling



1. Before cabling, the motor can be dismantled by removing the four M5 hexagon socket head bolts and the eight M5 pan head screws. At the time of installation, check that the waterproofing rubber packing is not damaged, then install it with a tightening torque of 2.0 N·m to 2.5 N·m. At this time, ensure that foreign matter is not caught.
2. To meet the IP level, a protection such as a conduit is required for the cabling hole. See Subsection 3.1.2, "Usage Considering Environmental Resistance".
3. The enclosure of the terminal box can be oriented in any direction in steps of 90°.
4. For the specifications, shapes, and pin layouts of the connectors of the pulsecoder and fan, see separate chapters.

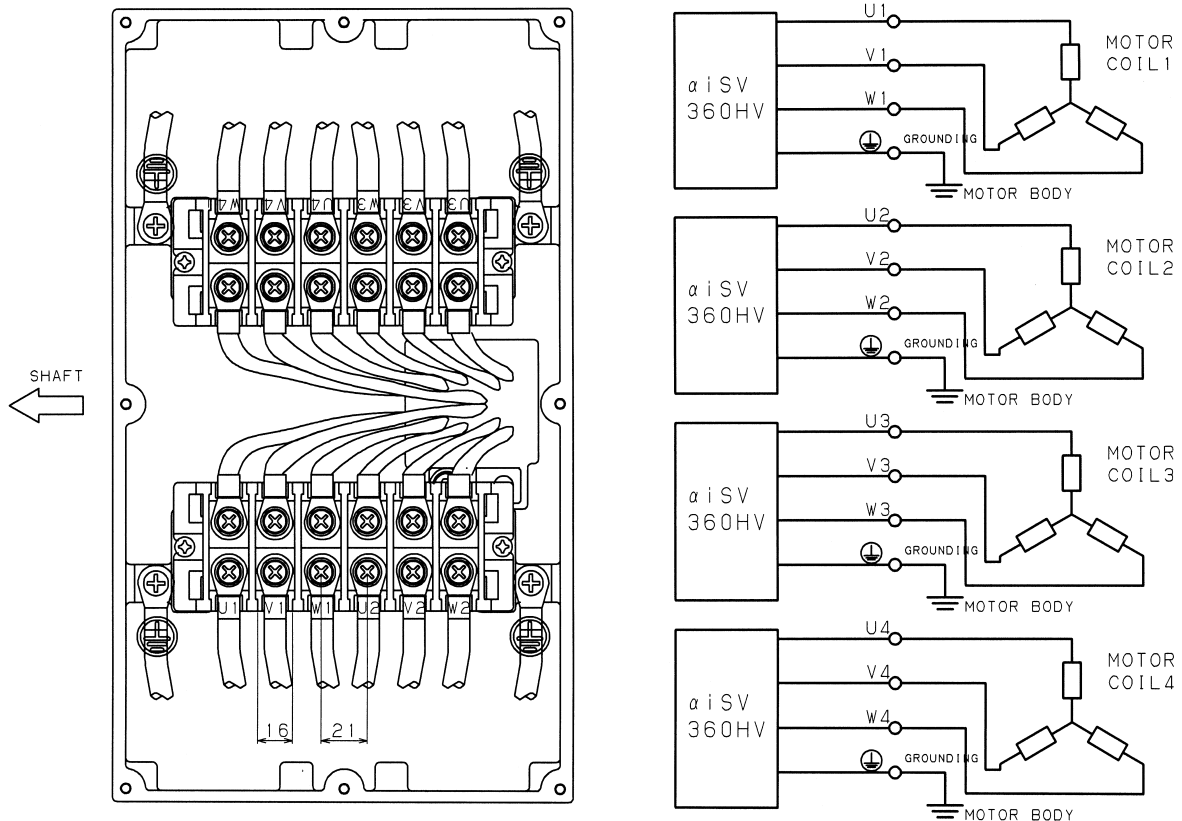
7.7.3 Shaft Run-out Precision

The shaft run-out precision is indicated below.
 For details of the shaft run-out precision, see Chapter 3, "USAGE".

Shaft dia. run-out	Faucet joint run-out	Mounting face run-out
0.08mm or less	0.11mm or less	0.14mm or less

7.7.4 Power Terminal Layout

The following shows the power terminal layout in the terminal box.

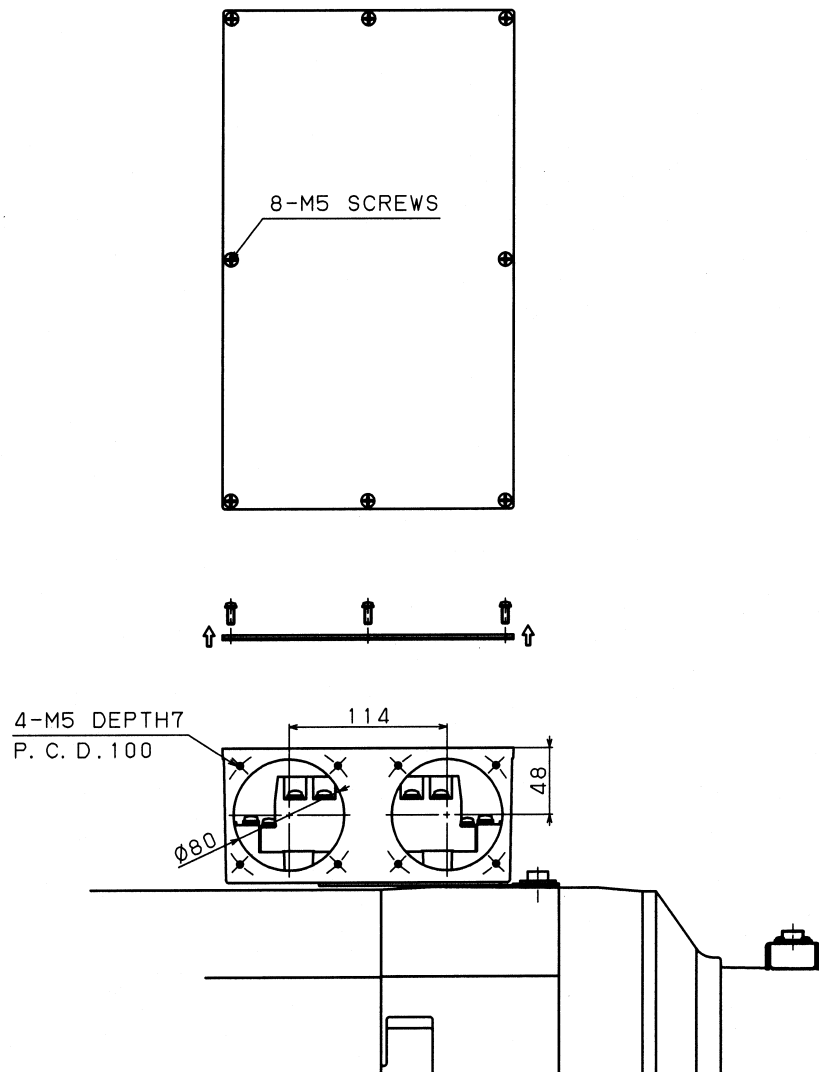


Power terminal size and ground terminal size: M6
 Tightening torque: 3.5 N·m to 4.5 N·m

⚠ CAUTION

- 1 Securely connect power wires and short bars to the terminal block with the specified tightening torque according to the procedure described in this section. If the motor runs with a terminal loosely connected, the terminal block may get abnormally hot, resulting in a fire. The terminal may also be disconnected, resulting in a ground fault, short circuit, or electric shock.
- 2 To keep the insulation distance, note the following points:
 When attaching a crimp terminal to the end of a power wire, always cover the crimping section of the crimp terminal with an insulating tube.
 When an insulating cover is mounted on the terminal block, screw the power wires and remount the cover in place before using the motor.

7.7.5 Cabling

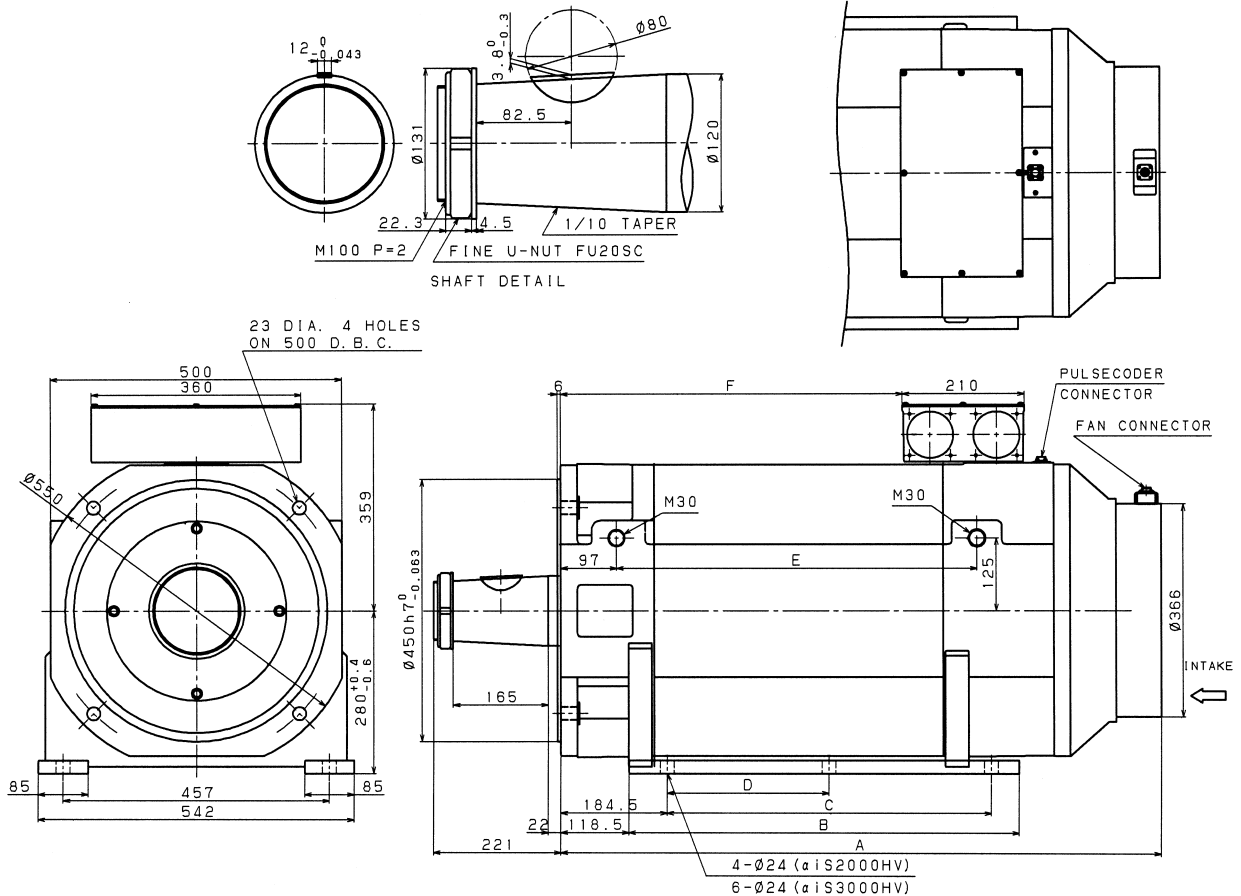


1. Before cabling, the motor can be dismantled by removing the four M5 hexagon socket head bolts and the eight M5 pan head screws. At the time of installation, check that the waterproofing rubber packing is not damaged, then install it with a tightening torque of 2.0 N·m to 2.5 N·m. At this time, ensure that foreign matter is not caught.
2. To meet the IP level, a protection such as a conduit is required for the cabling hole. See Subsection 3.1.2, “Usage Considering Environmental Resistance”.
3. The enclosure of the terminal box can be oriented in any direction in steps of 90°.
4. For the specifications, shapes, and pin layouts of the connectors of the pulsecoder and fan, see separate chapters.

7.8 MODELS α iS 2000 HV AND α iS 3000 HV

7.8.1 Outline Drawing of the Motors

Outline drawing of the motors (standard)



MODEL	A	B	C	D	E	F
α iS 2000HV	1036	674	560	—	623	588
α iS 3000HV	1436	1074	960	560	1023	988

1. The motor does not include a circuit breaker for protecting the fan. Prepare such a circuit breaker in the power magnetics cabinet.
2. The motor cannot be mounted on the machine with the flange alone. At the time of mounting, ensure that the shaft is horizontal and the foot faces downward. Support the weight of the motor by securing the foot by bolts. Use the flange as the reference for centering with the machine.
3. Consult with FANUC for any other mounting method.

7.8.2 Allowable Axis Load

The allowable axis load is indicated below.
 For details of the allowable axis load, see Chapter 3, "USAGE".

Radial load	Axial load	(Reference) Front bearing specification
40000[N] (4080[kgff])	4000[N] ([410kgff])	NU2226

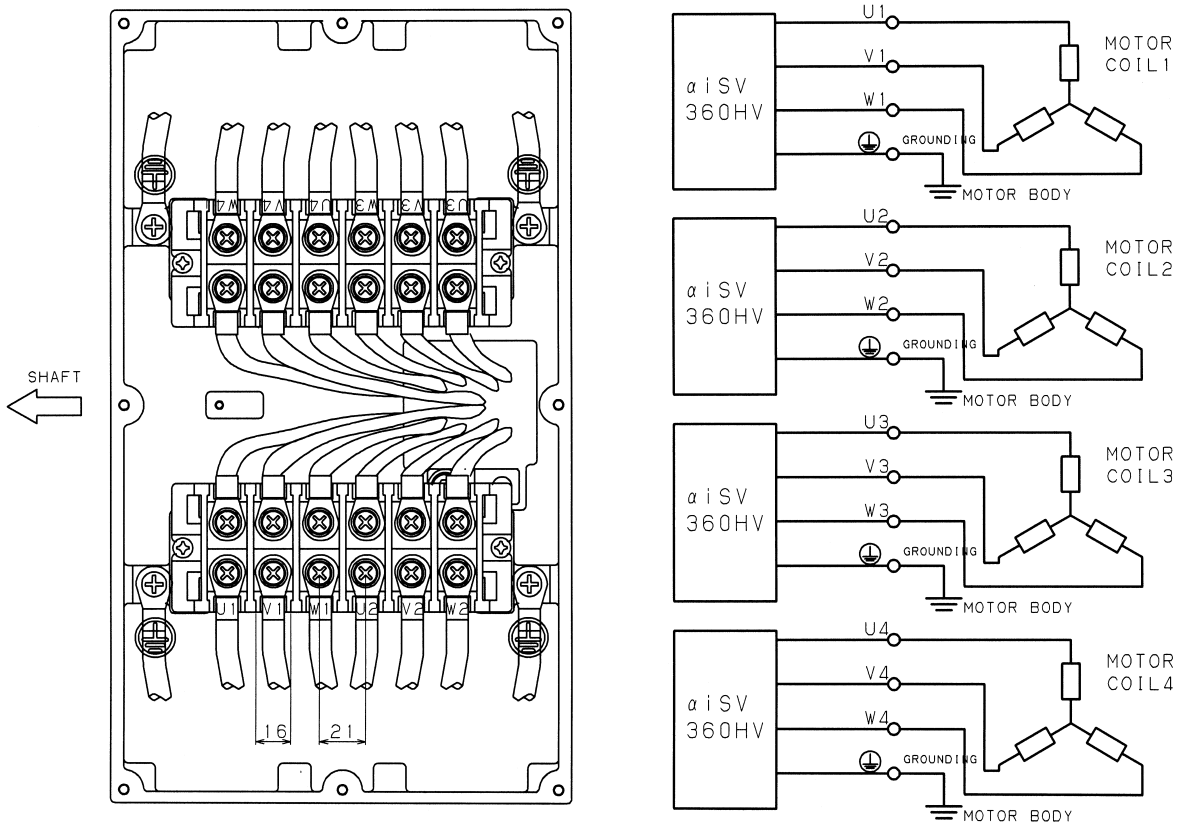
7.8.3 Shaft Run-out Precision

The shaft run-out precision is indicated below.
 For details of the shaft run-out precision, see Chapter 3, "USAGE".

Shaft dia. run-out	Faucet joint run-out	Mounting face run-out
0.08mm or less	0.13mm or less	0.16mm or less

7.8.4 Power Terminal Layout

The following shows the power terminal layout in the terminal box.

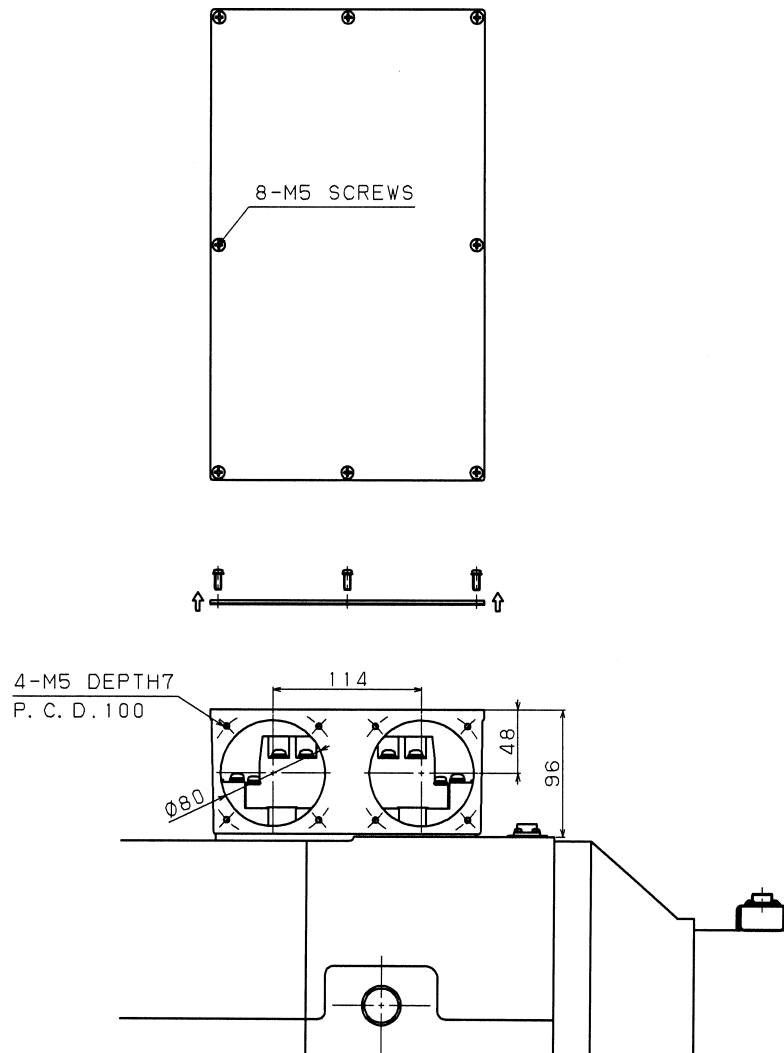


Power terminal size and ground terminal size: M6
 Tightening torque: 3.5 N·m to 4.5 N·m

⚠ CAUTION

- 1 Securely connect power wires and short bars to the terminal block with the specified tightening torque according to the procedure described in this section. If the motor runs with a terminal loosely connected, the terminal block may get abnormally hot, resulting in a fire. The terminal may also be disconnected, resulting in a ground fault, short circuit, or electric shock.
- 2 To keep the insulation distance, note the following points:
When attaching a crimp terminal to the end of a power wire, always cover the crimping section of the crimp terminal with an insulating tube.
When an insulating cover is mounted on the terminal block, screw the power wires and remount the cover in place before using the motor.

7.8.5 Cabling



1. Before cabling, the motor can be dismantled by removing the eight M5 pan head screws. At the time of installation, check that the waterproofing rubber packing is not damaged, then install it with a tightening torque of 2.0 N·m to 2.5 N·m. At this time, ensure that foreign matter is not caught.
2. To meet the IP level, a protection such as a conduit is required for the cabling hole. See Subsection 3.1.2, “Usage Considering Environmental Resistance”.
3. For the specifications, shapes, and pin layouts of the connectors of the pulsecoder and fan, see separate chapters.

8 FEEDBACK SENSOR

All αi series AC servo motors contain Pulsecoder (optical encoder) as a feedback sensor which detects position and velocity.
 Separate type position sensors are also available for detecting a position by attaching directly to a ball screw or machine.

Chapter 8, "FEEDBACK SENSOR", consists of the following sections:

8.1 PULSECODER 168
 8.2 SEPARATE PULSECODER 169

8.1 PULSECODER

All αi AC servo motors feature Pulsecoder (optical encoder).
 The Pulsecoder outputs position information and an alarm signal.
 The outline drawing of Pulsecoder is not given in this section because it is contained in a motor. See the outline drawing (Chapter 7, "OUTLINE DRAWINGS") of each motor model.

8.1.1 Types of Pulsecoders and Designation

The following table lists the types of Pulsecoders.

Pulsecoder type	Resolution [Division/rev]	Absolute/ incremental	Applicable motor
αiA 1000	1,000,000	Absolute	All models
αiI 1000	1,000,000	Incremental	
αiA 16000	16,000,000	Absolute	

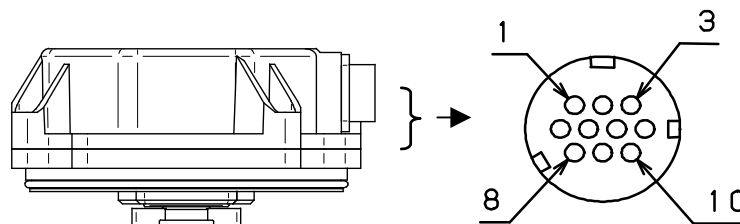
For how to specify Pulsecoder, see the Chapter 2, "ORDERING SPECIFICATION NUMBER" because Pulsecoder is specified together with a motor.

8.1.2 Connecting Pulsecoder

Connector

Manufacture: Japan Aviation Electronics Industry
 Manufacturer specification: JN2AS10UL1-R

The connector of the αi series Pulsecoder is dripproof when engaged with the cable connector. (When the motor is left singly, the connector is dripproof when the cap mounted at shipment is fit in the connector.)
 The signals of the αi series Pulsecoder are arranged as follows:



Signal name	Pin No.	
	αiA 1000 αiA 16000	αiI 1000
RD	6	6
*RD	5	5
+5V	8,9	8,9
0V	7,10	7,10
FG	3	3
+6V	4	-

Connector kits

For information on connectors and crimping jigs required for creating a feedback cable, see Chapter 11, "CONNECTORS ON THE CABLE SIDE."

NOTE

If the motor is mounted on a movable part, or a flexible tube is used for the connector, excessive force may be applied to the connector. In this case, fix the feedback cable to prevent the connector from being broken.

Connecting Pulsecoder to an amplifier

For cables connecting Pulsecoder and amplifier, refer to "FANUC SERVO AMPLIFIER αi series Descriptions (B-65282EN)" or FANUC SERVO AMPLIFIER βi series Descriptions (B-65322EN)."

In particular, special care should be taken when the Pulsecoder is connected to an I/O link amplifier. For details, refer to the description of the I/O link amplifier in "FANUC SERVO AMPLIFIER βi series Descriptions (B-65322EN)".

8.1.3 Absolute-type Pulsecoder

When the CNC is turned off, the Pulsecoder position detection function is backed up by battery. So, when the CNC is next turned on, the operator does not have to perform reference position return.

For backup, a battery unit must be installed in the CNC or servo amplifier.

If a low-battery indication appears on the CNC, replace the new battery as soon as possible.

For this Pulsecoder, the function is backed up for about 10 minutes by a backup capacitor when the battery is removed. In the backup status, the battery can be replaced when the power to the servo amplifier is off.

The operator does not also have to perform reference position return after replacing the feedback cable or servo amplifier.

8.2 SEPARATE PULSECODER

For detecting a position by attaching directly to a ball screw or a machine, use a separate Pulsecoder.

8.2.1 Separate Pulsecoder Type and Designation

Separate Pulsecoder are available.

Separate Pulsecoder name	Resolution	Allowable maximum speed	Absolute/incremental	Ordering number
$\alpha A1000S$	1,000,000 /rev	4000min ⁻¹	Absolute	A860-0372-T001

8.2.2 Separate Pulsecoder Specifications

Pulsecoder α A1000S

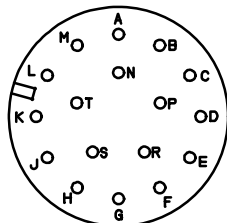
Item		Specification
Power voltage		5 [V] \pm 5%
Current consumption		Up to 0.3 [A]
Working temperature range		0 to +60 [°C]
Resolution		1,000,000 [rev.]
Maximum speed of rotation		4000 [min ⁻¹]
Input shaft inertia		Up to 1×10^{-4} [kg·m ²]
Input shaft startup torque		Up to 0.1 [N·m]
Input shaft allowable load	Radial	100 [N]
	Axial	50 [N]
Shaft diameter run-out		0.02×10^{-3} [m]
Structure		Dust-proof, drip-proof (IP55 or equivalent: when water-proof connector is fitted)
Vibration resistance acceleration		5 [G] (50 to 2,000[Hz])
Weight		Approx. 0.75 [kg]

8.2.3 Connecting a Separate Type Pulsecoder

The layout of connector pins is shown below.

For the connection diagram for separate type Pulsecoders, refer to the relevant NC connection manual.

Layout of Connector Pins of Pulsecoder α A1000S



MS3102A20-29PW

Signal name	Pin No.
	α A1000S MS3102A20-29PW
SD	A
*SD	D
REQ	F
*REQ	G
+5V	J,K
0V	N,T
Shield	H
+6VA	R
0VA	S

8.2.4 Outline Drawings of Separate Pulsecoder

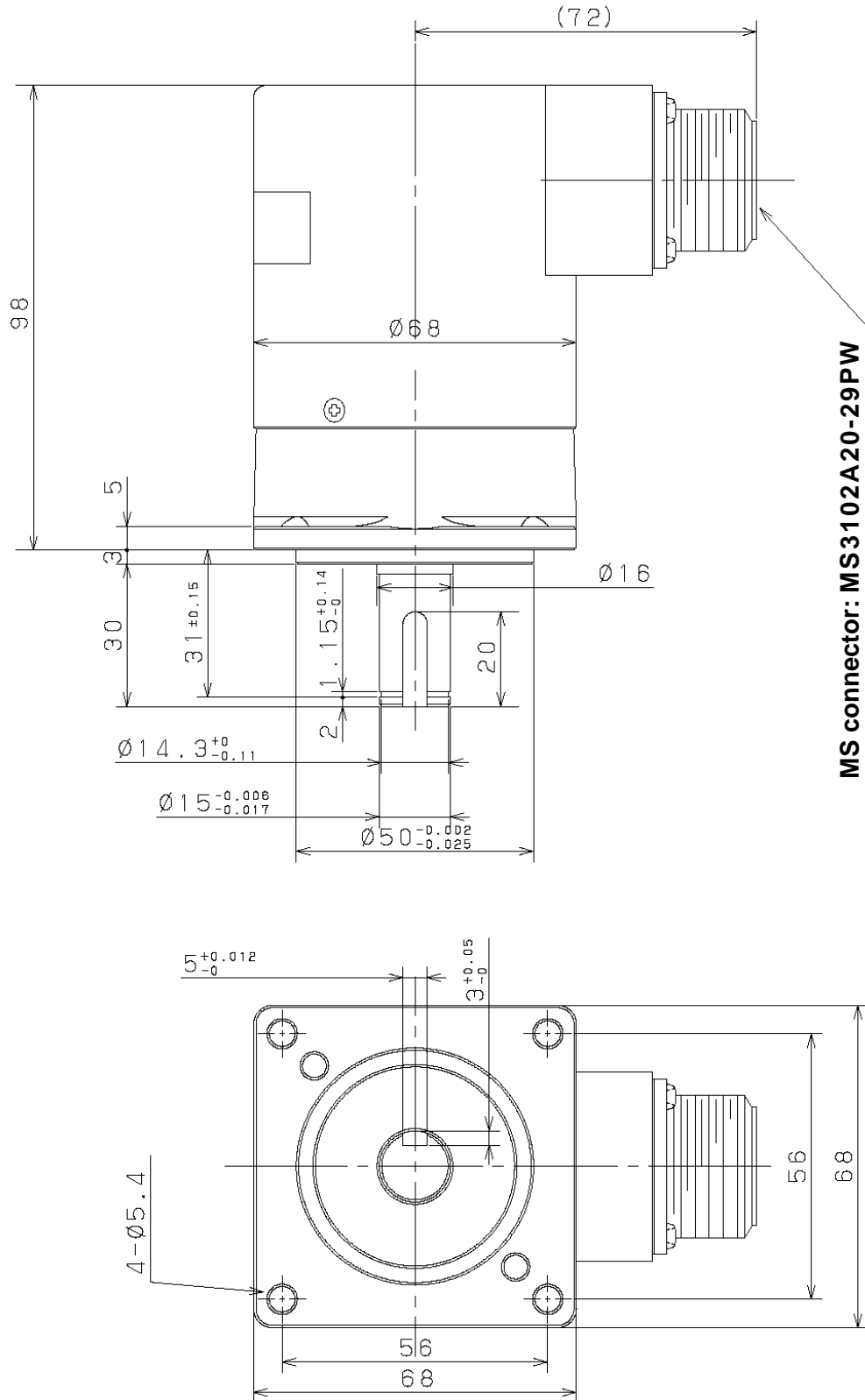


Fig. 8.2.4 Pulsecoder α A1000S

8.2.5 Cautions when Using a Separate Type Pulsecoder

Pay attention to the following items when using the separate Pulsecoder.

- Increase the machine rigidity between the servo motor and the Pulsecoder to minimize mechanical vibration. If the machine rigidity is low or the structure vibrates, poor performance, over shoot is likely to occur.
- When the separate Pulsecoder is used, the influence of gear, ball screw pitch error or table inclination is decreased and the positioning accuracy and geometrical accuracy (roundness, etc.) are increased, but the smoothness may deteriorate due to the elasticity in the machine between the servo motor and the separate Pulsecoder.
- It is necessary to use the built-in Pulsecoder with a resolution equal to or finer than that of the separate Pulsecoder.

To connect the separate Pulsecoder to the CNC, connect only the signals described in the connecting manual.

When the other signal is connected, the unit may occur malfunction.

9 BUILT-IN BRAKE

The FANUC AC Servo Motor αi series has some motors that include a holding brake. This chapter explains the specifications of built-in brakes and gives cautions.

The motor with a built-in brake differs from that with no brake in outside dimensions. For the outside dimensions, see the Chapter 7, "OUTLINE DRAWINGS."

Chapter 9, "BUILT-IN BRAKE", consists of the following sections:

9.1 BRAKE SPECIFICATIONS.....	173
9.2 CONNECTING A BRAKE	174
9.3 CAUTIONS ON USE	177
9.4 REDUCING THE AMOUNT OF BRAKE AXIS FALL	178

9.1 BRAKE SPECIFICATIONS

The specifications of built-in brakes are listed below.

Motor model		Unit	$\alpha iS 2, \alpha iS 4,$ $\alpha iF 1, \alpha iF 2$ (Including HV)	$\alpha iS 8, \alpha iS 12,$ $\alpha iF 4, \alpha iF 8$ (Including HV)
Brake torque		Nm	3	8
		kgf-cm	31	82
Response time	Release	msec	60	80
	Hold	msec	20	20
Power supply	Voltage	V	24VDC ($\pm 10\%$)	
	Current	A	0.9	1.1
	Wattage	W	22	26
Weight increase		kg	Approx. 1.0	Approx. 2.2
Inertia increase		kg·m ²	0.00002	0.00007
		kgf·cm·s ²	0.0002	0.0007

Motor model		Unit	$\alpha iS 22$ to $\alpha iS 40,$ $\alpha iF 12$ to $\alpha iF 40,$ (Including HV) (Including fan-equipped models)	$\alpha iS 40$ to $\alpha iS 60,$ $\alpha iF 40$ (Including HV) (Including fan-equipped models)	$\alpha iS 100, \alpha iS 200,$ (Including HV) (Including fan-equipped models)
			Standard brake	High-torque brake	
Brake torque		Nm	35	70	150
		kgf-cm	357	714	1530
Response time	Release	msec	160	300	360
	Hold	msec	30	50	60
Power supply	Voltage	V	24VDC ($\pm 10\%$)		
	Current	A	1.2	2.4	2.5
	Wattage	W	29	58	60
Weight increase		kg	Approx. 6.0	Approx. 10	Approx. 15
Inertia increase		kg·m ²	0.0006	0.0009	0.0010
		kgf·cm·s ²	0.006	0.009	0.010

The values shown above are standard values at 20°C.

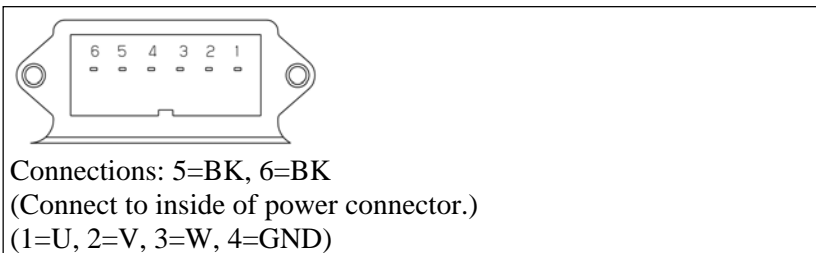
9.2 CONNECTING A BRAKE

9.2.1 Brake Connectors

The following shows the shape and pin arrangement of the brake connectors.

For the connected cables and the connectors on the cable side, see Chapter 11, "CONNECTORS ON THE CABLE SIDE".

For models *αiS* 2 to *αiS* 4 and *αiF* 1 to *αiF* 2



* BK indicates a power supply (24 VDC, 0 VDC) for the brake. The brake is nonpolarized.

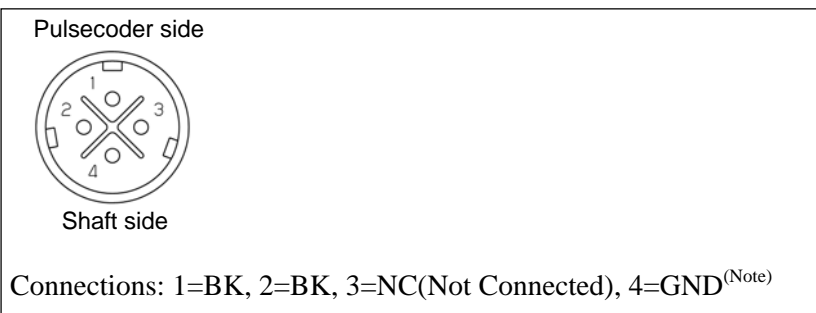
For models *αiS* 8 to *αiS* 200 and *αiF* 4 to *αiF* 40

Manufacture: Japan Aviation Electronics Industry

Manufacturer specification: JN2AS04MK2-R

This connector alone is dripproof.

The shape and pin layout of the connector are shown below.



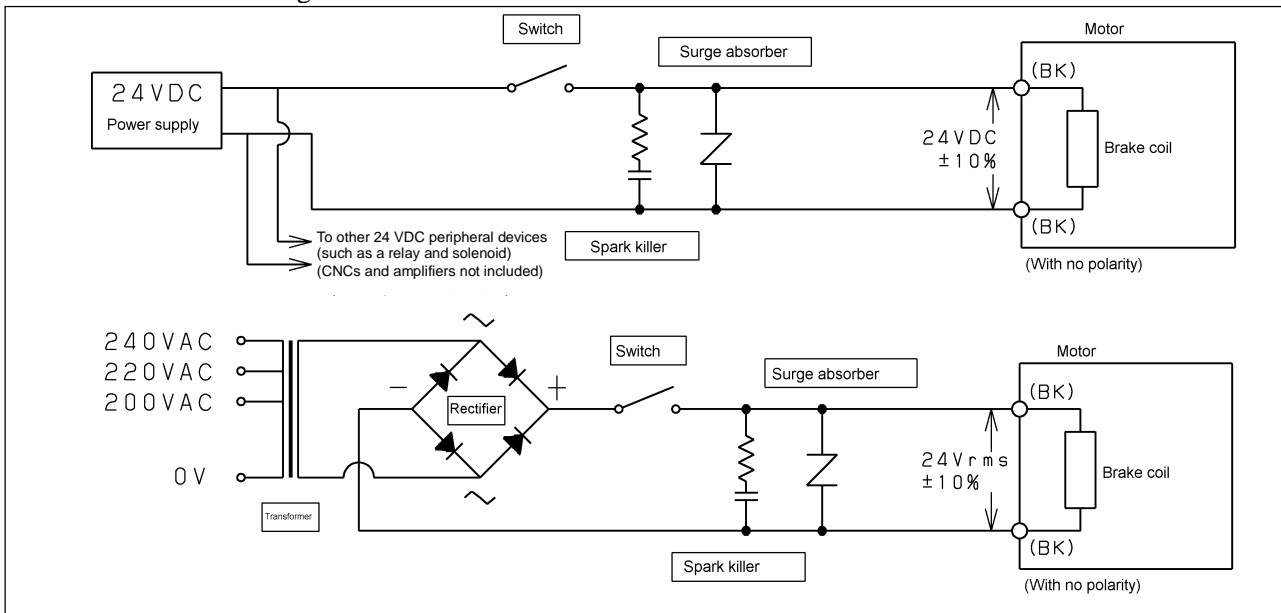
* BK indicates a power supply (24 VDC, 0 VDC) for the brake. The brake is nonpolarized.

NOTE

Since pin 4 is connected to the brake cabinet, it can be used when the shield wire of a brake cable needs to be connected.

9.2.2 Connection of the Brakes

Configure a brake circuit by referencing the following brake connection diagrams and the circuit parts shown in the following section.



- 1 Use 24 VDC as power for the brake of the FANUC AC servo motor αi series. Power produced by full-wave rectification after transforming commercial power (50 Hz/60 Hz) is also available.
- 2 Use a power supply separated from the 24 V power supply for the CNC and amplifier as the power supply for the brake. If the control power supply is also used for the brake, an CNC or amplifier malfunction or another danger may occur. The power supply for a relay, solenoid, or another peripheral device can be used for the brake. Be careful of the power capacity and changes in voltage due to changes in load.
- 3 For full-wave rectification, transform the secondary side voltage during energization of the brake into approximately 29 VAC by taking voltage drop in the rectifier or cable into account. In this case, check the power capacity and power voltage fluctuations sufficiently and then make sure the fluctuations of the voltage applied to the brake during energization falls within $24 \text{ Vrms} \pm 10\%$. Switch the transformer's primary side input to a desired position such as 100-110-120 VAC or 200-220-240 VAC.
- 4 Because the brake is an inductive load, the durability of the switch's contact declines compared with a resistive load. Use an contact with sufficient capacity and confirm the durability of the switch's contact practically.
- 5 If plural brakes are driven, use the separated circuits for each brake except a power supply.
- 6 You can use either positive or negative power pin to connect the brake because the brake coil is nonpolarized.
- 7 Use a shielded cable as required.

9.2.3 Parts for Brake Circuits

Configure a brake circuit by referencing the following parts.

Models αiS 2 to αiS 40 and αiF 1 to αiF 40 (3N·m brake, 8N·m brake, or 35N·m brake)

Name	Model No.	Name of Manufacturer	Specifications	FANUC Procurement Dwg. No.
Surge absorber	ERZV10D820	Panasonic Corporation	Varistor voltage 82V Max. allowable voltage 50VAC	-
Spark killer	XEB0471	OKAYA ELECTRIC IND. CO., LTD.	0.1 μ F / 47 Ω Withstand voltage 400 V min.	-
Switch	-	-	Rated load capacity (resistance load) 250VAC 10A / 30VDC 10A or more	-
Rectifier	D3SB60 (Note 1)	SHINDENGEN ELECTRIC MFG. CO., LTD.	Withstand voltage 400 V min. Maximum output current: 2.3 A (with no fin)	A06B-6050-K112

The specifications of parts for brake circuits are only reference. Confirm the durability of the switch's contact practically, according to the required switching frequency. (For reference, there is an example of switching test to approximately a hundred thousand times with a relay LY2 by OMRON. This is not a guarantee of any failure.)



CAUTION

Confirm the durability of switch's contact practically, according to the required switching frequency.

If the contact cannot be open, the brake keeps released and the machine may not be held.

NOTE

- At an ambient temperature of 20°C, the temperature of the rectifier rises to about 60°C when one brake axis is used or to about 90°C when two brake axes are used. Use a radiator fin as required.

If highly frequent switching is required, the durability of contact will be sometimes improved by increasing the capacity of spark killer as listed below. (For reference, there is an example of switching test to approximately two million times with a relay LY2 by OMRON. This is not a guarantee of any failure.)

Name	Model No.	Name of Manufacturer	Specifications	FANUC Procurement Dwg. No.
Spark killer	XEB0105	OKAYA ELECTRIC IND. CO., LTD.	0.5 μ F / 10 Ω Withstand voltage 400 V min.	-

Models αiS 40 to αiS 60, and αiF 40 (70N·m brake)

Name	Model No.	Name of Manufacturer	Specifications	FANUC Procurement Dwg. No.
Surge absorber	ERZV20D820 (Note 2)	Panasonic Corporation	Varistor voltage 82V Max. allowable voltage 50VAC	-
Spark killer	XEB0471	OKAYA ELECTRIC IND. CO., LTD.	0.1 μ F / 47 Ω Withstand voltage 400 V min.	-

Name	Model No.	Name of Manufacturer	Specifications	FANUC Procurement Dwg. No.
Switch	-	-	Rated load capacity (resistance load) ^(Note 3) 250VAC 20A / 30VDC 20A or more	-
Rectifier	D3SB60 <small>(Note 4)</small>	SHINDENGEN ELECTRIC MFG. CO., LTD.	Withstand voltage 400 V min. Maximum output current: 2.3 A (with no fin)	A06B-6050-K112

NOTE

- 2 The surge absorber capacity is larger than that for the 35N·m brake.
- 3 The switch contact capacity is larger than that for the 35N·m brake.
- 4 Use a radiator fin. In addition, use one brake axis per rectifier.

Models α iS 100 to α iS 200 (150N·m brake)

Name	Model No.	Name of Manufacturer	Specifications	FANUC Procurement Dwg. No.
Surge absorber	ERZV20D820	Panasonic Corporation	Varistor voltage 82V Max. allowable voltage 50VAC	-
Spark killer	XEB0471	OKAYA ELECTRIC IND. CO., LTD.	0.1 μ F / 47 Ω Withstand voltage 400 V min.	-
Switch	-	-	Rated load capacity (resistance load) 250VAC 20A / 30VDC 20A or more	-
Rectifier	D3SB60 <small>(Note 5)</small>	SHINDENGEN ELECTRIC MFG. CO., LTD.	Withstand voltage 400 V min. Maximum output current: 2.3 A (with no fin)	A06B-6050-K112

NOTE

- 5 Use a radiator fin. In addition, use one brake axis per rectifier.

9.3 CAUTIONS ON USE** CAUTION**

Pay attention to the following points when motors with built-in brakes are used. These may cause a failure and the machine may not be held.

- 1 The built-in brake is designed for holding. Do not use the brake for braking.
- 2 Do not drive the motor without the brake released.
- 3 Do not apply an order to rotate the motor until the brake has been released completely.
- 4 Release the brake after the motor excitation is turned on. Hold the brake before the motor excitation is turned off.
- 5 Do not use the brake as a support for stopping, with the motor placed in the excitation state.

- 6 Make sure that the motor surface does not get wet with the cutting fluid etc. If water-proof performance is required, as in the case in which a motor is used in a cutting fluid mist atmosphere, specify an IP67 type motor. For details, refer to Subsection 3.1.2, "Usage Considering Environmental Resistance".
- 7 The total length of a model such as the $\alpha i F40$ with a built-in brake is much longer than that of the model with no built-in brake. Be careful not to apply excessive force to the opposite side of the mounting flange or to apply excessive acceleration to the entire motor.

⚠ WARNING

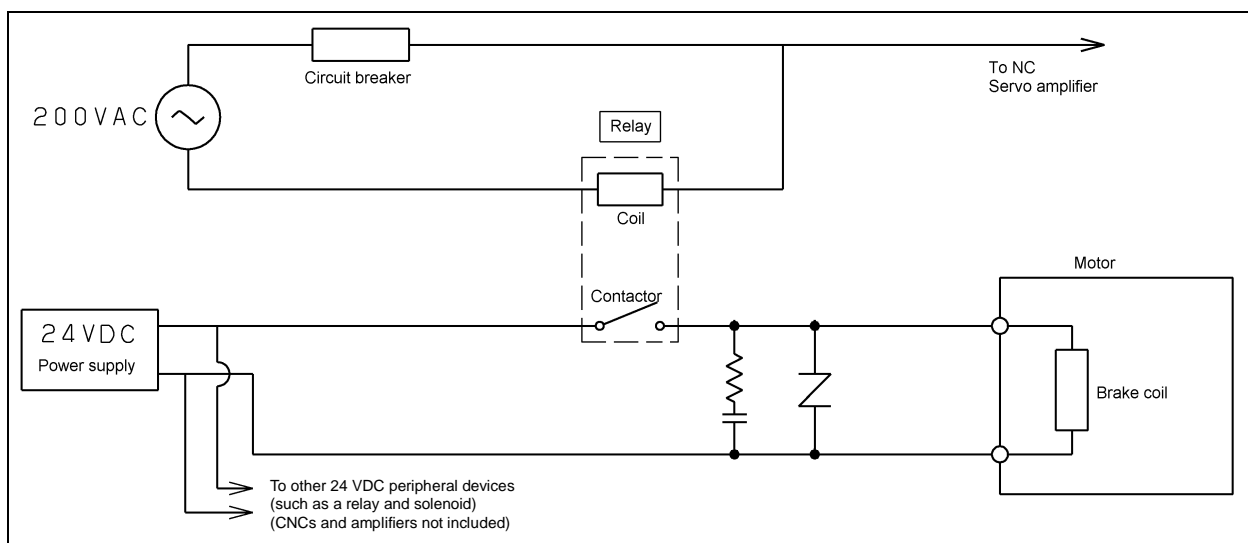
On the machine, install a stop device for securing safety.

The brake built into the servo motor is not a stop device for securing safety. The machine may not be held if a failure occurs.

9.4 REDUCING THE AMOUNT OF BRAKE AXIS FALL

During use of a motor with a brake, the amount of falling along an axis at a power failure or emergency stop, or when the CNC power supply is turned off during excitation of the motor may become an issue. To operate the brake immediately and reduce the amount of falling along an axis to a minimum, note the following points:

- (1) To operate the brake immediately, the switch and relay for controlling on and off must be installed on the DC side (at the position shown in the following figure) of the break circuit. If the contact is installed on the AC side (between the transformer's secondary side and rectifier), it takes time until holding starts because of the current returned to the rectifier diodes.
- (2) To reduce the amount of falling along a vertical axis, the switch or relay must be turned off at a power failure as soon as possible. To turn the relay off immediately at a power failure, it is effective to supply the relay driving power from the main power supply whenever possible as shown in the following figure.
- (3) To prevent the axis from falling at a moment of an emergency stop, use the "brake control function" in the servo software. This function enables continuous excitation of the motor for a set time until the motor built-in brake operates. For details, see Parameter Manual (B-65270EN).



10 COOLING FAN

Cooling fans are available for the models *αiS* 50 with fan, *αiS* 60 with fan, *αiS* 100 with fan, *αiS* 200 with fan, *αiS* 300, *αiS* 500, *αiS* 50HV with fan, *αiS* 100HV with fan, *αiS* 200HV with fan, *αiS* 300HV, *αiS* 500HV, *αiS* 1000HV, *αiS* 2000HV, *αiS* 3000HV, and *αiF* 40 with fan. This chapter describes these cooling fans.

Chapter 10, "COOLING FAN", consists of the following sections:

10.1 COOLING FAN SPECIFICATIONS179
 10.2 CONNECTING A COOLING FAN180
 10.3 COOLING FAN CIRCUIT181
 10.4 RECOMMENDED PARTS OF COOLING FAN CIRCUIT183
 10.5 COOLING FAN PROTECTION CIRCUIT184

10.1 COOLING FAN SPECIFICATIONS

The specifications of the fan supplied with each motor are listed below.

αiS 50 to *αiS* 60 with fan, *αiS* 50HV to *αiS* 60HV with fan, *αiF* 40 with fan

Input voltage	Single-phase 200 VAC	
	50 Hz	60 Hz
	170 to 220 VAC	170 to 242 VAC
Rated input	31W ±10%	30W ±10%
Rated current	0.23A ±10%	0.2A ±10%
Degree of protection (IEC34-5)	IP00	

NOTE

For the models with fan, the degree of protection of the fan connector section is IP00.

αiS 100 with fan to *αiS* 500 and *αiS* 100HV with fan to *αiS* 500HV

Motor model	<i>αiS</i> 100/2500 with fan <i>αiS</i> 200/2500 with fan <i>αiS</i> 300/2000 <i>αiS</i> 500/2000		<i>αiS</i> 100/2500 HV with fan <i>αiS</i> 200/2500 HV with fan <i>αiS</i> 300/2000 HV <i>αiS</i> 300/3000 HV <i>αiS</i> 500/2000 HV <i>αiS</i> 500/3000 HV	
Input voltage	Three-phase 200 VAC		Three-phase 400 VAC	
	50 Hz	60 Hz	50 Hz	60 Hz
	170 to 240 VAC	170 to 240 VAC	323 to 440 VAC	391 to 528 VAC
Rated input	60 W	90 W	80 W	120 W
Steady-state current	0.2 A _{rms}	0.3 A _{rms}	0.2 A _{rms}	0.2 A _{rms}
Protection circuit set temperature	140 °C			
Degree of protection (IEC34-5)	IP00			

NOTE

For the models with fan, the degree of protection of the fan connector section is IP00.

NOTE
Pay attention to the driving voltage.
 The driving voltage of the fan equals the driving voltage of the motor. For the αiS 100 with fan to αiS 500 models, **three-phase, 200 VAC** is used. For the αiS 100HV with fan to αiS 500HV models, **three-phase, 400 VAC** is used.

αiS 1000HV, αiS 2000HV, and αiS 3000HV

Motor model	αiS 1000/2000 HV (A06B-0098-B010)		αiS 1000/3000 HV αiS 2000/2000 HV αiS 3000/2000 HV	
Input voltage	Three-phase 400 VAC			
	50 Hz	60 Hz	50 Hz	60 Hz
	340 to 480 VAC	340 to 528 VAC	340 to 480 VAC	340 to 480 VAC
Rated input	200 W	260 W	550 W	800 W
Steady-state current	0.3 A _{rms}	0.4 A _{rms}	0.8 A _{rms}	1.3 A _{rms}
Protection circuit set temperature	140 °C			
Degree of protection (IEC34-5)	IP00			

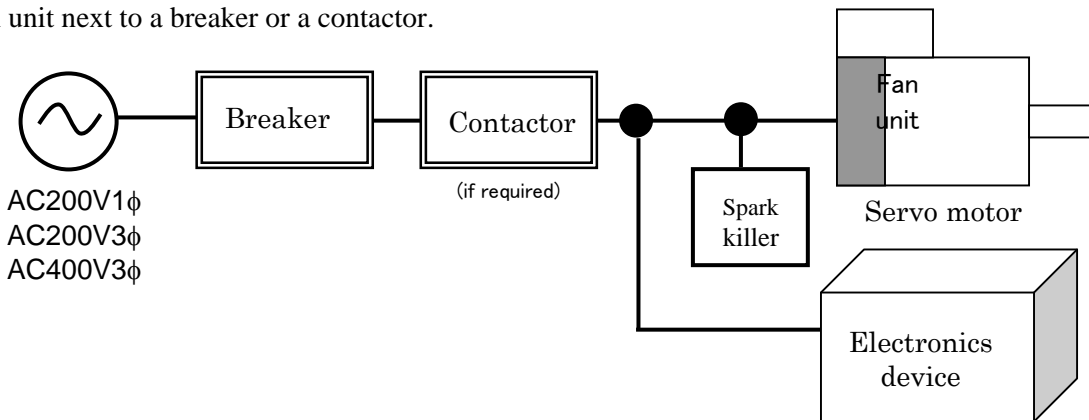
NOTE
 For the models with fan, the degree of protection of the fan connector section is IP00.

NOTE
Pay attention to the driving voltage.
 The driving voltage of the fan equals the driving voltage of the motor. For the αiS 1000HV to αiS 3000HV, **three-phase, 400 VAC** is used. Note that the driving voltage differs from that of the conventional motor, the $\alpha 1000HV$.

10.2 CONNECTING A COOLING FAN

In case that other electronics devices are in parallel with fan.

The following figure shows how to connect to a fan unit when other electronics devices are in parallel with fan unit next to a breaker or a contactor.



NOTE
 When surges need to reduce with reason that other electronics devices are in parallel with fan unit, use a spark killer .

10.3 COOLING FAN CIRCUIT

The following figure shows how to connect to a fan unit.

Note that the input voltage is different for each unit.

For the connected cable and the connector on the cable side, see Chapter 11, "CONNECTORS ON THE CABLE SIDE".

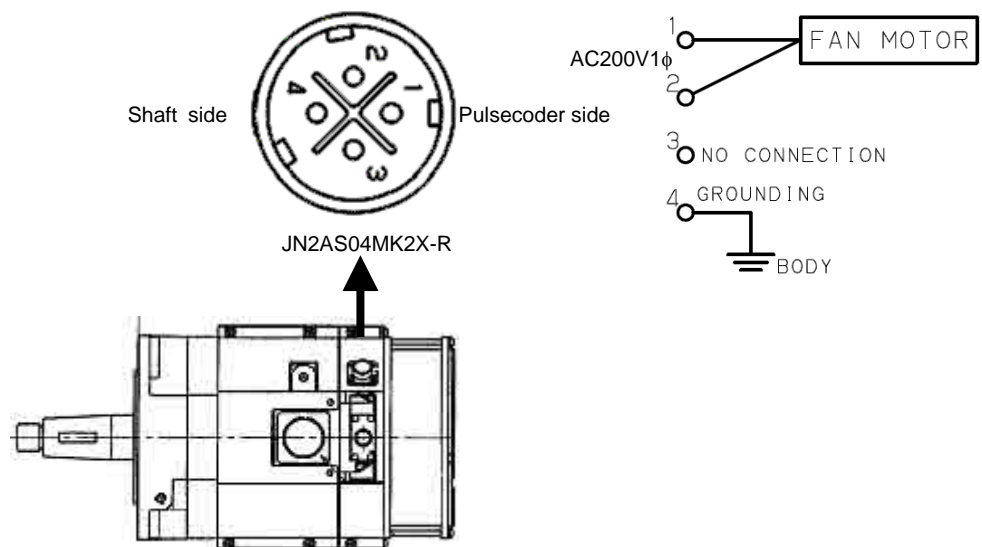
αiS 50 to αiS 60 with fan, αiS 50HV to αiS 60 with fan, and αiF 40 with fan

Manufacture: Japan Aviation Electronics Industry

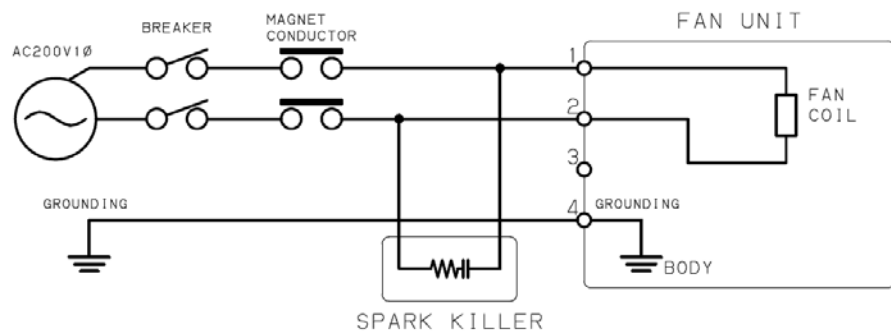
Manufacturer specification: JN2AS04MK2X-R

This connector is not dripproof.

The shape and pin layout of the connector are shown below. A fan motor can be connected to terminal 1 or 2.



The following figure shows circuit example.



NOTE

This figure shows a example that use a spark killer .

αiS 100 with fan to αiS 500

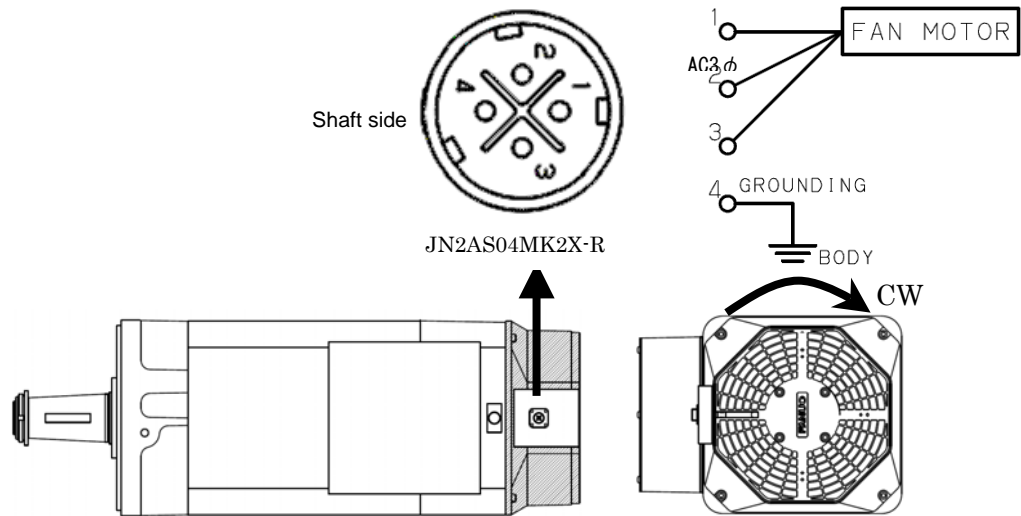
αiS 100HV with fan to αiS 3000HV

Manufacture: Japan Aviation Electronics Industry

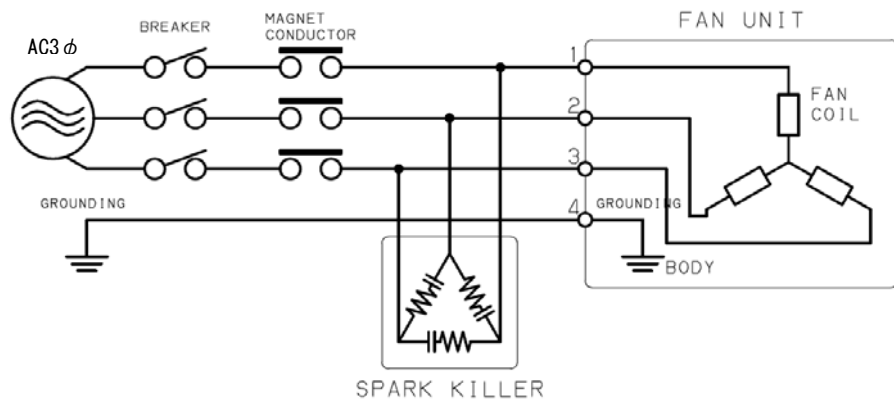
Manufacturer specification: JN2AS04MK2X-R

This connector is not dripproof.

The shape and pin layout of the connector are shown below.



The following figure shows circuit example.



NOTE
This figure shows a example that use a spark killer .

The following table list shows input voltage.

Motor model	Input voltage
<i>ais</i> 100 with fan~ <i>ais</i> 500	AC200V 3φ
<i>ais</i> 100HV with fan~ <i>ais</i> 500HV <i>ais</i> 1000/2000HV(0298,0098), <i>ais</i> 1000/3000HV(0299) <i>ais</i> 1000/3000HV(0099) <i>ais</i> 2000/2000HV~ <i>ais</i> 3000/2000HV	AC400V 3φ

If the three phases are connected incorrectly, the fan rotates in the reverse direction. But the direction of air flow is the same because the fan is a radial fan.

However, the fan rotating in the reverse direction produces a less air flow, resulting in a degraded effect of cooling and increased load current. So, the fan can overheat and stop. If the fan overheat repeats many times, the fan unit may cause trouble.

Be sure to connect the three phases correctly.

10.4 RECOMMENDED PARTS OF COOLING FAN CIRCUIT

Configure fan circuit by referencing the recommended parts shown in the following table lists.

Grouping of servo motor with a fan

Motor Model	Input voltage	Group
<i>ais</i> 50~ <i>ais</i> 60 with fan, <i>ais</i> 50HV~ <i>ais</i> 60HV vwith fan, <i>aiF</i> 40 with fan	AC200V 1 ϕ	A
<i>ais</i> 100 with fan~ <i>ais</i> 500	AC200V 3 ϕ	B
<i>ais</i> 100HV with fan ~ <i>ais</i> 500HV <i>ais</i> 1000/2000HV(0298,0098), <i>ais</i> 1000/3000HV(0299)	AC400V 3 ϕ	C
<i>ais</i> 1000/3000HV(0099) <i>ais</i> 2000/2000HV~ <i>ais</i> 3000/2000HV	AC400V 3 ϕ	D

The following table lists the recommended spark killer.

Model No.	Manufacturer	Specifications	Group			
			A	B	C	D
CRE-30680	OKAYA ELECTRIC IND. CO.,LTD.	0.3 μ F / 68 Ω With stand voltage250V min.	○			
3CRE-30680		0.3 μ F / 68 Ω With stand voltage250V min.		○		
3CRH-30330		0.33 μ F / 33 Ω With stand voltage500V min.		Note 2	○	
3CRH-50270		0.47 μ F / 27 Ω With stand voltage500V min.		Note 2	Note 2	○

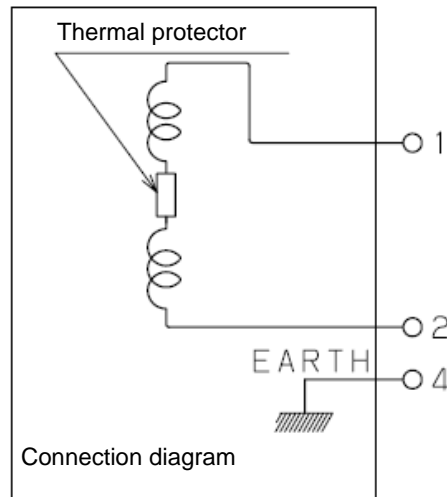
NOTE

- 1 One spark killer is available for 4 fan motors maximum.
- 2 These model of spark killer can be used instead of circle models.

10.5 COOLING FAN PROTECTION CIRCUIT

The fan motor inside the cooling fan includes a protection circuit based on a thermal protector.

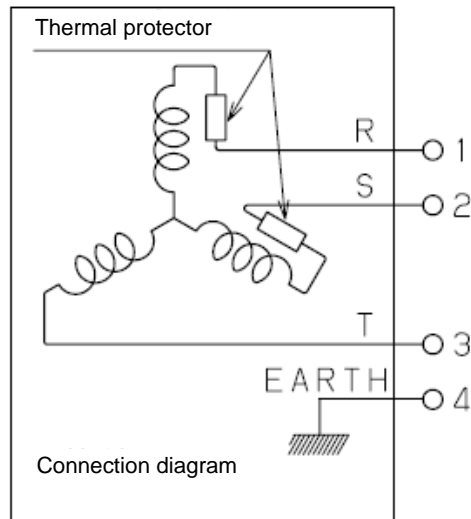
***αiS* 50 to *αiS* 60 with fan, *αiS* 50HV to *αiS* 60HV with fan,
αiF 40 with fan**



***αiS* 100 with fan to *αiS* 500**

***αiS* 100HV with fan to *αiS* 3000HV**

A thermal protector is installed in two positions, namely, phase R and phase S.



NOTE

A thermal protector operates when the temperature of the winding inside the fan motor rises to 140°C.

11 CONNECTORS ON THE CABLE SIDE

This chapter describes the specifications of the connectors on the cable side that are to be connected to a motor. For the specifications and pin layout of the connector mounted on a motor, see Chapter 7, "OUTLINE DRAWINGS".

This chapter classifies connectors by the following groups:

Group	Servo motor name
Group A	<i>aiS</i> 2/5000, <i>aiS</i> 2/6000, <i>aiS</i> 4/5000, <i>aiS</i> 4/6000, <i>aiS</i> 2/5000 HV, <i>aiS</i> 2/6000 HV, <i>aiS</i> 4/5000 HV, <i>aiS</i> 4/6000 HV, <i>aiF</i> 1/5000, <i>aiF</i> 2/5000
Group B	<i>aiS</i> 8/4000, <i>aiS</i> 8/6000, <i>aiS</i> 12/4000, <i>aiS</i> 12/6000, <i>aiS</i> 8/4000 HV, <i>aiS</i> 8/6000 HV, <i>aiS</i> 12/4000 HV, <i>aiS</i> 12/6000 HV, <i>aiF</i> 4/4000, <i>aiF</i> 8/3000, <i>aiF</i> 4/4000 HV, <i>aiF</i> 8/3000 HV
Group C	<i>aiS</i> 22/4000, <i>aiS</i> 22/6000, <i>aiS</i> 30/4000, <i>aiS</i> 40/4000, <i>aiS</i> 50/2000, <i>aiS</i> 60/2000, <i>aiS</i> 22/4000 HV, <i>aiS</i> 22/6000 HV, <i>aiS</i> 30/4000 HV, <i>aiS</i> 40/4000 HV, <i>aiS</i> 50/2000 HV, <i>aiS</i> 60/2000 HV, <i>aiS</i> 50/3000 HV with fan, <i>aiS</i> 60/3000 HV with fan, <i>aiF</i> 12/3000, <i>aiF</i> 22/3000, <i>aiF</i> 30/3000, <i>aiF</i> 40/3000, <i>aiF</i> 40/3000 with fan, <i>aiF</i> 12/3000 HV, <i>aiF</i> 22/3000 HV
Group D	<i>aiS</i> 50/3000 with fan, <i>aiS</i> 60/3000 with fan
Group E	<i>aiS</i> 100/2500, <i>aiS</i> 100/2500 with fan, <i>aiS</i> 200/2500, <i>aiS</i> 200/2500 with fan, <i>aiS</i> 100/2500HV, <i>aiS</i> 100/2500HV with fan, <i>aiS</i> 200/2500HV, <i>aiS</i> 200/2500HV with fan
Group F	<i>aiS</i> 300/2000, <i>aiS</i> 500/2000, <i>aiS</i> 300/2000 HV, <i>aiS</i> 300/3000 HV, <i>aiS</i> 500/2000 HV, <i>aiS</i> 500/3000 HV, <i>aiS</i> 1000/2000 HV, <i>aiS</i> 1000/3000 HV, <i>aiS</i> 2000/2000 HV, <i>aiS</i> 3000/2000 HV

Chapter 11, "CONNECTORS ON T Chapter 11, "CONNECTORS ON THE CABLE SIDE", consists of the following sections:

11.1 CONNECTORS FOR SIGNALS (FOR ALL <i>ai</i> SERIES MODELS)	186
11.2 CONNECTORS FOR POWER	191
11.3 CONNECTORS FOR THE BRAKE	196
11.4 CONNECTORS FOR THE FAN.....	197
11.5 CONNECTION TO A CONDUIT HOSE	199

11.1 CONNECTORS FOR SIGNALS (FOR ALL αi SERIES MODELS)

For all servo motors of the αi series, a small dedicated connector is used for signals.

The connector is dripproof when engaged with the motor connector.

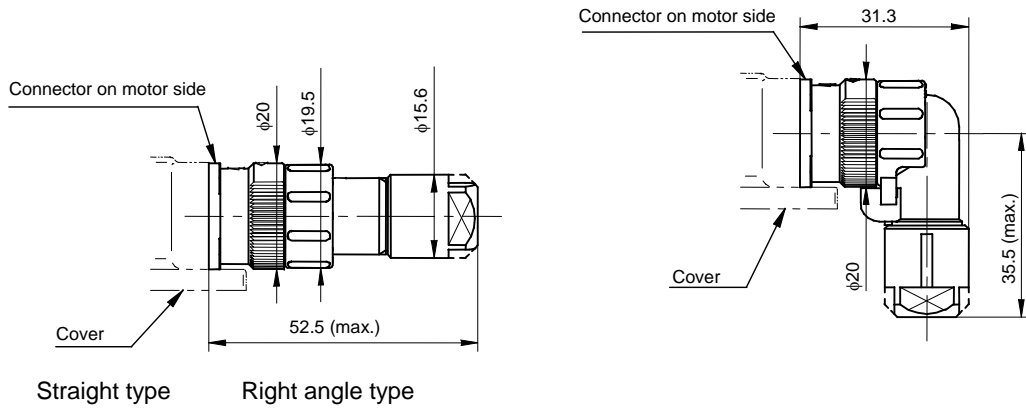
There are two types of connectors depending on how a cable is connected to a connector; the crimp type and the solder type. For the crimp type connector, a dedicated crimping tool is required.

The diameter of the cable used is restricted considering cable clamp and voltage drop. The connectors for signals do not have to conform to IEC60034.

Crimp type connector (Japan Aviation Electronics Industry)

		For signal				
Connector kit (FANUC specification)	Straight type		A06B-6114-K204#S			
	Right angle type		A06B-6114-K204#E			
	* With the FANUC specifications, the following connector by Japan Aviation Electronics Industry, (with two types of bushings: for $\phi 5.7$ to $\phi 7.3$ and for $\phi 6.5$ to $\phi 8.0$) and the contacts (individual type) are included.					
Connector specifications	Straight type		JN2DS10SL1-R (Compatible cable O.D. $\phi 5.7$ to $\phi 7.3$) JN2DS10SL2-R (Compatible cable O.D. $\phi 6.5$ to $\phi 8.0$)			
	Right angle type		JN2FS10SL1-R (Compatible cable O.D. $\phi 5.7$ to $\phi 7.3$) JN2FS10SL2-R (Compatible cable O.D. $\phi 6.5$ to $\phi 8.0$)			
Contact specifications	Individual		JN1-22-22S-PKG100 (100 pieces)			
	Reel		JN1-22-22S-10000 (10,000 pieces)			
	Insulation external diameter			$\phi 1.5$ or less		
Used wire			0V, 5V	6V	RD,*RD	
	Cable length: 28m or less		$0.3 \text{ mm}^2 \times 2$	0.3 mm^2	Twisted pair of at least 0.18 mm^2	
	Cable length: 50m or less		$0.5 \text{ mm}^2 \times 2$	0.5 mm^2		
* Use a cable of which strand configuration is 20/0.18 or 104/0.08.						
Tool for crimping terminal	Handy crimping tool	AWG #21 (0.5 mm^2 :20/0.18) #23 (0.3 mm^2) #25 (0.18 mm^2)		Japan Aviation Electronics Industry	CT150-2-JN1-E	
				FANUC	A06B-6114-K201#JN1E	
		AWG #20 (0.5 mm^2 :104/0.08) #21 (0.5 mm^2 :20/0.18) #25 (0.18 mm^2)		Japan Aviation Electronics Industry	CT150-2-JN1-D	
				FANUC	A06B-6114-K201#JN1D	
	Automatic crimping tool		Main unit	CP215-5B		
			Applicator	3502-JN1-2C		
Tool for pulling terminal out	Japan Aviation Electronics Industry		ET-JN1			
	FANUC		A06B-6114-K201#JN1R			

The outside dimensions of each type of connector when engaged are shown below:



The outside dimensions of the Japan Aviation Electronics Industry's connector

Crimp type connector (Hirose Electric)

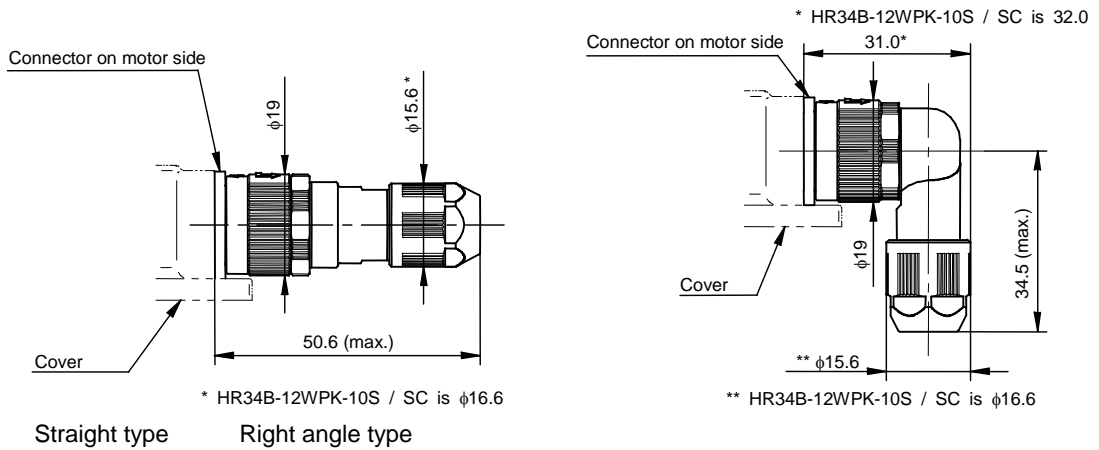
		For signal			
Connector specifications	Straight type	HR34B-12WPD-10SC (Compatible cable O.D. φ5.7 to φ7.3) HR34B-12WPE-10SC (Compatible cable O.D. φ6.5 to φ8.0) (HR34B-12WPK-10SC (Compatible cable O.D. φ8.0 to φ9.0))			
	Right angle type	HR34B-12WLPD-10SC (Compatible cable O.D. φ5.7 to φ7.3) HR34B-12WLPE-10SC (Compatible cable O.D. φ6.5 to φ8.0) (HR34B-12WLPK-10SC (Compatible cable O.D. φ8.0 to φ9.0))			
Contact specifications	Loose piece contact	HR34B-SC1-111			
	Strip contact	HR34B-SC1-211			
	Compatible cable	AWG #20~#25			
	Insulation external diameter	φ1.34 or less			
Used wire		0V , 5V	6V	RD, *RD	
	Cable length: 28m or less	0.3 mm ² × 2	0.3 mm ²	Twisted pair of at least 0.18 mm ²	
	Cable length: 50m or less	0.5mm ² × 2	0.5mm ²		
Tool for crimping terminal	Handy crimping tool (AWG#20,23,25)		HT304/HR34B-1		
	Automatic crimping tool	Main unit	CM-105		(Available for HR34B-SC1-211)
		Applicator	AP105-HR34B-1		
Tool for pulling terminal out	RP6-SC-TP				

* Specification number is all of Hirose Electric's specification.

⚠ CAUTION

Because the structure of crimp type connector of Hirose Electric is different from the one of Japan Aviation Electronics Industry, be sure to use the same maker's connector, contacts and crimping tool when assembling the connector.

The outside dimensions of each type of connector when engaged are shown below:



The outside dimensions of the Hirose Electric's connector

Solder type connector (Hirose Electric)

		信号用		
Connector kit (FANUC specification)	Straight type	A06B-6114-K205#S		
	Right angle type	A06B-6114-K205#E		
* With the FANUC specifications, the following connector by Hirose Electric, (with two types of bushings and endnuts: for $\phi 5.7$ to $\phi 7.3$ and for $\phi 6.5$ to $\phi 8.0$) are included.				
Connector specifications	Straight type	HR34B-12WPD-10S (Compatible cable O.D. $\phi 5.7$ to $\phi 7.3$) HR34B-12WPE-10S (Compatible cable O.D. $\phi 6.5$ to $\phi 8.0$) (HR34B-12WPK-10S (Compatible cable O.D. $\phi 8.0$ to $\phi 9.0$))		
	Right angle type	HR34B-12WLPD-10S (Compatible cable O.D. $\phi 5.7$ to $\phi 7.3$) HR34B-12WLPE-10S (Compatible cable O.D. $\phi 6.5$ to $\phi 8.0$) (HR34B-12WLPK-10S (Compatible cable O.D. $\phi 8.0$ to $\phi 9.0$))		
Compatible cable	AWG #20 or less ($\phi 0.8\text{mm}$ or less)			
Used wire		0V , 5V	6V	RD,*RD
	Cable length: 28m or less	$0.3\text{ mm}^2 \times 2$	0.3 mm^2	Twisted pair of at least 0.18 mm^2
Cable length: 50m or less	$0.5\text{ mm}^2 \times 2$	0.5 mm^2		

* The outside dimensions of each type of connector when engaged are the same as the crimp type connector.

Solder type connector (Japan Aviation Electronics Industry)

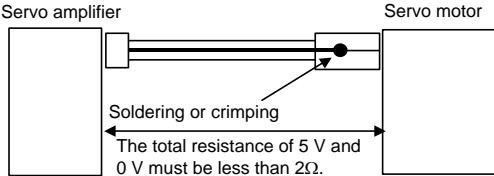
		信号用	
Contact specifications	Individual (100pieces)	JN1-22-22F-PKG100	
	Individual (10pieces)	JN1-22-22F-PKG10	
Compatible cable	AWG #20 or less (Insulation external diameter $\phi 1.5\text{mm}$ or less)		

* This type connector uses the solderable contact. And other parts are the same as crimp type of Japan Aviation Electronics Industry's connector.

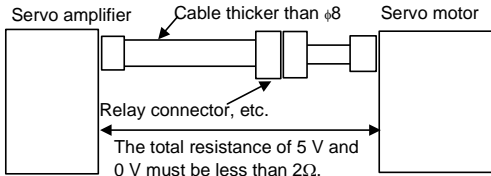
⚠ CAUTION

- In case that the cable is prepared by MTB, total resistance of 5V and 0V must be less than 2Ω .
- Pulsecoder side connector can accept maximum 0.5mm^2 (wire construction 20/0.18 or 104/0.08, diameter $\phi 1.5$ or less) wire and sheath diameter is $\phi 5.7$ to $\phi 8.0$. In case of using thicker wire or cable, take measures described below.

Case 1] Cable conductor exceeds 0.5mm^2 .



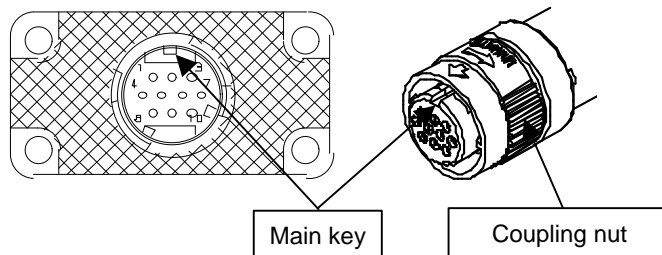
Case 2] Sheath diameter of exceeds $\phi 8$.


- In case of incremental Pulsecoder, 6V is not necessary to be connected.

Procedure for engaging feedback cable connectors

Engage the feedback cable connectors according to the procedure described below, and check that they are engaged securely.

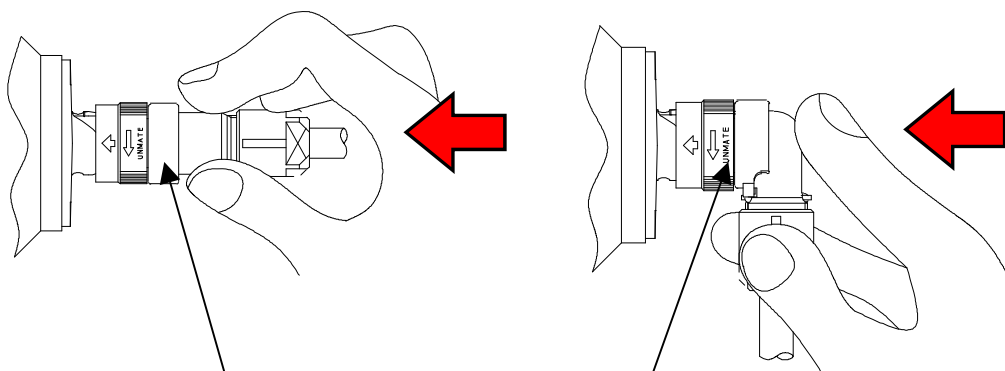
- Checking the mating surfaces and the key direction
Check that the mating surfaces are free from any substance such as foreign particles or oil.



- Engaging the connectors
Hold the connector at the position shown in the figure, insert it straightforward until it snaps into place.

Straight type

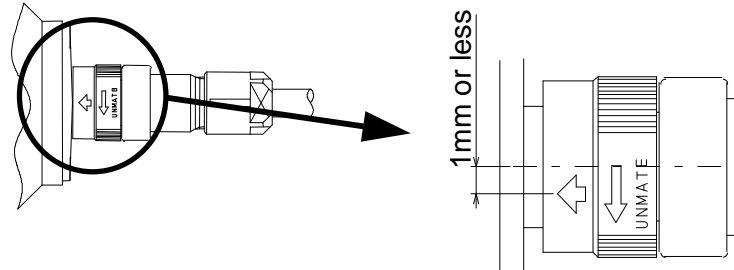
Right angle type



Note)
• Do not hold the coupling nut.

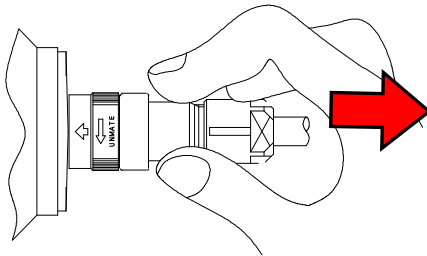
3 Checking the engaged status

- <1> Check that the arrow on the connector is positioned at the center as shown in the figure below.
If the arrow is not at the center, turn the coupling nut by hand so that the arrow is at the correct position.

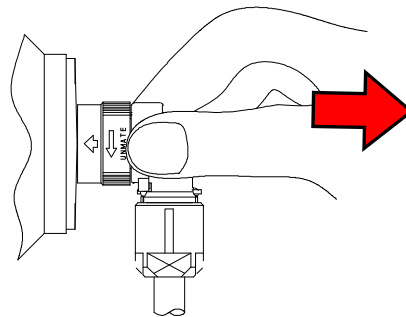


- <2> Hold the connector at the position shown in the following figure, and check that the connector does not come off when it is pulled lightly.

Straight type



Right angle type



Note)

- Do not pull the cable.
- Pull the connector straightforward.

11.2 CONNECTORS FOR POWER

11.2.1 Connectors for Power (for Group A)

Dedicated connectors which are TUV approved are available as the connector for power for the αiS 2 to αiS 4, αiS 2 HV to αiS 4 HV, and αiF 1 to αiF 2. These connectors differ from the conventional α series connectors in connectors and contacts.

For the connector of the motor with a brake, perform cabling for the power and cabling for the brake at the same time.

The following subsection describes the specifications as a connector kit. These connectors are dripproof when engaged.

To connect the cable, a dedicated crimping tool must be used.

Consider crimping and cable clamp. Also note that there are restrictions.

		For power
Connector kit specifications (Including the contact)	Straight type (standard)	1473063-2 (Tyco Electronics AMP) A06B-6114-K220#S (FANUC specification)
	Right angle type ^(CAUTION 1)	1473393-2 (Tyco Electronics AMP) A06B-6114-K220#E (FANUC specification)
Applicable wire size ^(CAUTION 2)		AWG#18 to 16
Insulation external diameter ^(CAUTION 3)		ϕ 1.8 to 2.8
Compatible cable O.D. ^(CAUTION 4)		ϕ 9.2 to ϕ 9.9, ϕ 9.9 to ϕ 11.4
Tool for crimping terminal ^(CAUTION 5)		91579-1 (Tyco Electronics AMP) A06B-6114-K221#C (FANUC specification)
Tool for pulling terminal out ^(CAUTION 5)		1463329-1 (Tyco Electronics AMP) A06B-6114-K221#R (FANUC specification)

CAUTION

- 1 For the right angle type, a cable juts from the motor in a vertical direction. To connect a conduit hose to the connector, use the right angle type. (The straight type cannot be used due to dimensional restrictions.)
- 2 The contact is of the crimp type. Be careful of the applicable wire.
- 3 The crimping contact crimps the covering in addition to the wire. Follow the dimensions listed above.
An insulation of a smaller diameter may be able to be connected by a wire or tool, however. For details, contact Tyco Electronics AMP.
- 4 To satisfy the TUV-approved and waterproof performance, a cable of an outside diameter within the applicable cable clamp range must be used.
The connector kit includes two types of rubber bushings (cable clamps): one for ϕ 9.2 to ϕ 9.9 (blue) and the other for ϕ 9.9 to ϕ 11.4 (black).
- 5 Dedicated tools are required for crimping and extracting the contact. Keep them on hand when required.

11.2.2 Connectors for Power (for Groups B to D)

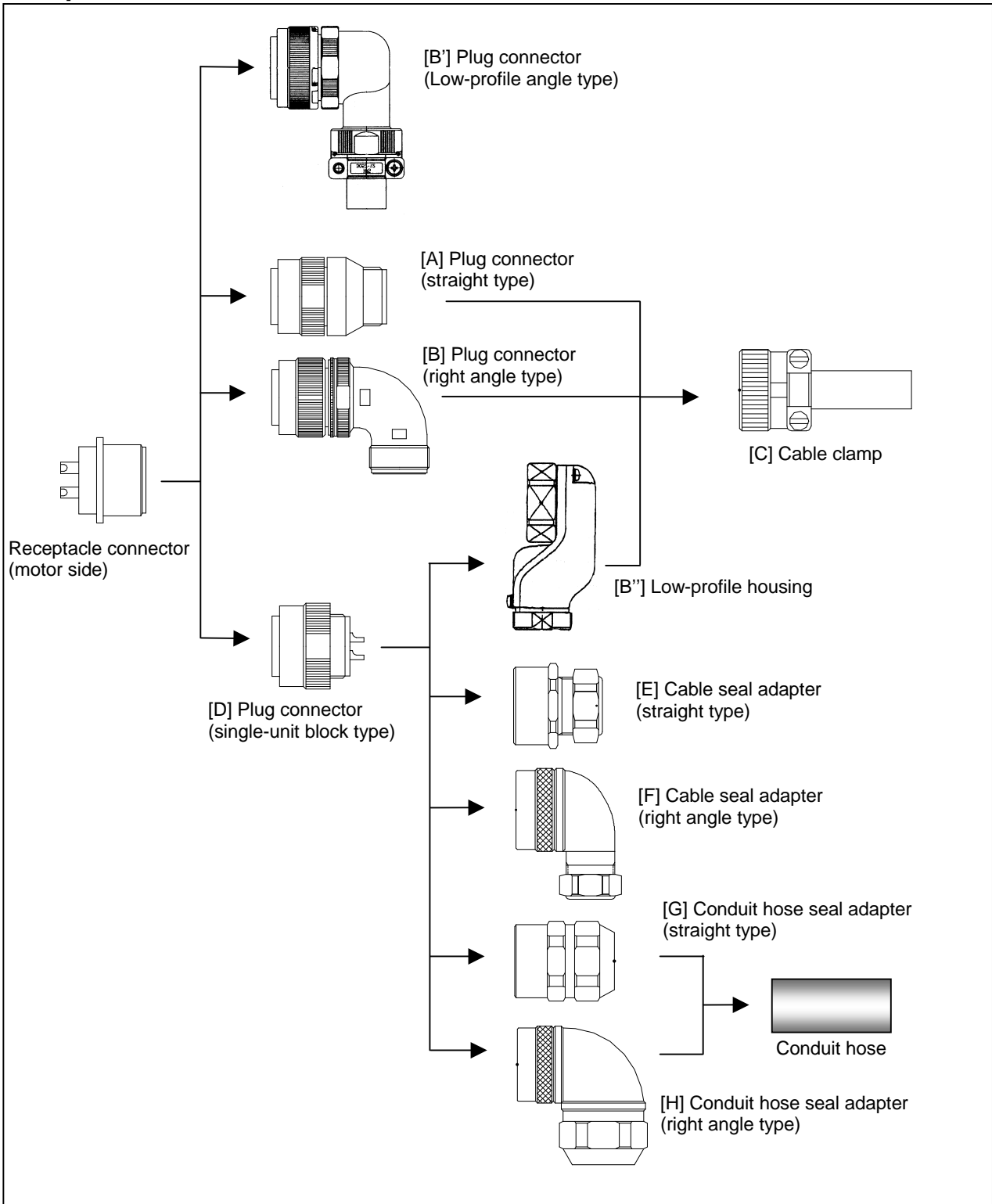
To meet the IEC60034 standard, TUV-approved plug connectors and cable clamps should be used in connecting the power cable. To meet the IEC60034 standard by using a cable or conduit hose seal adapter, contact the manufacturer for details. FANUC can provide TUV-approved types (waterproof) and waterproof types as plug connectors on the cable side for the FANUC *αi* series AC servo motors; all these connectors are black. Of course, conventional plug connectors may be used, because they are MS-compatible. The specifications of each connector are explained based on the examples shown below.

Ordering specification number of the power connector kit

The specification numbers used for ordering a power connector kit from FANUC are listed below. The power connector kit contains a plug connector on the cable side (waterproof conforming to IP67, TUV approved type) described subsequently.

Group	Power connector kit specification	Content
Group B	A06B-6079-K810	Single block type connector
	A06B-6079-K811	Straight type connector + cable clamp
	A06B-6079-K812	Right angle type connector + cable clamp
Group C	A06B-6079-K813	Single block type connector
	A06B-6079-K814	Straight type connector + cable clamp
	A06B-6079-K815	Right angle type connector + cable clamp
Group D	A06B-6079-K816	Single block type connector
	A06B-6079-K817	Straight type connector + cable clamp
	A06B-6079-K818	Right angle type connector + cable clamp

Example of connector connection



Specifications of plug connectors on the cable side (support for waterproof IP67, TUV-approved type)

Listed below are the specifications of waterproof (conforming to IP67), TUV-approved plug connectors on the cable side, supplied by some manufacturers. For details of the connectors, contact each manufacturer.

Model Name	[D] Single Block Type Plug Connector	[A] Straight Type Plug Connector	[B] Right angle Type Plug Connector	[B'] Low-profile angle type plug connector (with clamp)	[B''] Low- profile housing	[C] Cable Clamp
Group B	(Hirose Electric)					
	H/MS3106A 18-10S-D-T(13)	H/MS3106A 18-10S-D-T(10)	H/MS3108A 18-10S-D-T(10)	(1) H/MS3108A 18-10S-DT10D(10) (2) H/MS3108A 18-10S-DT10D1(10))	/	H/MS3057-10A (10)
	Solder pot diameter $\phi 2.6$ Applicable wire 3.45mm^2 or less			Solder pot diameter $\phi 2.5$ Compatible cable O.D. (1) $\phi 12 - \phi 14.3$ (2) $\phi 10 - \phi 12.5$	/	Compatible cable O.D. $\phi 10.3 - \phi 14.3$
Group C	(Japan Aviation Electronics Industry)					
	JL04V-6A22- 22SE-R (Both (1) and (2))	(1) JL04V-6A22- 22SE-EB-R (2) JL04V-6A22- 22SE-EB1-R	(1) JL04V-8A22- 22SE-EB-R (2) JL04V-8A22- 22SE-EB1-R	/	(1) JL04-22 EBA (2) Not supported	(1)JL04-2022C K (14)-R (2)JL04-2428C K (20)-R
	Solder pot diameter $\phi 5.3$ Applicable wire 10mm^2 or less (Applicable wire 5.5mm^2 or less In the case of single block + low-profile housing)			/	Compatible cable O.D. (1) $\phi 12.9 - \phi 16$, (2) $\phi 18 - \phi 20$	
Group D	(Japan Aviation Electronics Industry)					
	JL04V-6A24- 10SE(G)-R	JL04V-6A24- 10SE(G)-EB-R	JL04V-8A24- 10SE(G)-EB-R	/	JL04-24 EBA	(3)JL04-2428C K (17)-R (4)JL04-2428C K (20)-R
	Solder pot diameter $\phi 3.5$ (G terminal: $\phi 5.3$) Applicable wire 5.5mm^2 or less (G terminal: 8.0mm^2 or less)			/	Compatible cable O.D. (3) $\phi 15 - \phi 18$, (4) $\phi 18 - \phi 20$	

- * For the connectors of size 22-22, the part number of the plug connector differs depending on the type of cable clamp.
- * For the connectors of size 24-10, the part number of the plug connector differs depending on the type of cable clamp.
- * The items preceded by the same number in () correspond to each other.

⚠ CAUTION

1 TUV have certified that the plug connectors and cable clamps listed above, when combined with the FANUC AC Servo Motor α iS series and α iF series, satisfy the VDE0627 safety standard.

Several manufacturers offer other plug connectors. For information about whether the plug connectors satisfy the safety standard when combined with the FANUC α i series, contact the corresponding manufacturer.

- Hirose Electric (HRS) : H/MS310 TUV-conforming series
- Japan Aviation Electronics Industry (JAE) : JL04V series
- DDK Ltd. (DDK) : CE05 series

Specifications of plug connectors on the cable side (support for waterproof IP67)

Listed below are the specifications of waterproof (conforming to IP67) plug connectors on the cable side, supplied by some manufacturers. For details of the connectors, contact each manufacturer.

Model Name	[D] Single Block Type Plug Connector	[A] Straight Type Plug Connector	[B] Right Angle Type Plug Connector	[B] Low-profile angle type plug connector	[B'] Low-profile housing	[C] Cable Clamp
Group B	(Japan Aviation Electronics Industry)					
	JA06A-18-10S -J1-R	JA06A-18-10S -J1-EB-R	JA08A-18-10S -J1-EB-R	/	JL04V-18EBA	JL04-18CK (13)-R
	(Hirose Electric)					
	H/MS3106A 18-10S(13)	H/MS3106A 18-10S(10)	H/MS3108B 18-10S(10)	H/MS08A18-1 0S-DT10D(10)	/	H/MS3057 -10A(10)
(DDK Ltd.)						
	D/MS3106A 18-10S-B(D190)	D/MS3106A 18-10S-B-BS S	D/MS3108A 18-10S-B-BAS	/	/	CE3057 -10A-1-D
Group C	(Japan Aviation Electronics Industry)					
	JA06A-22-22S -J1-R	JA06A-22-22S -J1-EB-R	JA08A-22-22S -J1-EB-R	/	JL04V-22EBA	JL04-2022 CK (14)-R
	(Hirose Electric)					
	H/MS3106A 22-22S(13)	H/MS3106A 22-22S(10)	H/MS3108B 22-22S(10)	H/MS08A22-2 2S-DT12D(10)	/	H/MS3057 -12A(10)
(DDK Ltd.)						
	D/MS3106A 22-22S-B(D190)	D/MS3106A 22-22S-B-BS S	D/MS3108A 22-22S-B-BAS	/	/	CE3057 -12A-1-D
Group D	(Japan Aviation Electronics Industry)					
	JA06A-24-10S -J1-R	JA06A-24-10S -J1-EB-R	JA08A-24-10S -J1-EB-R	/	JL04V-24EBA	JL04-2428 CK (17)-R
	(Hirose Electric)					
	H/MS3106A 24-10S(13)	H/MS3106A 24-10S(10)	H/MS3108B 24-10S(10)	/	/	H/MS3057 -16A(10)
(DDK Ltd.)						
	D/MS3106A 24-10S-B(D190)	D/MS-3106A 24-10S-B-BS S	D/MS3108A 24-10S-B-BAS	/	/	CE3057 -16A-1-D

11.3 CONNECTORS FOR THE BRAKE

The connector for the brake for group A is the same as the power connector. See Section 11.2, "CONNECTORS FOR POWER".

The following subsections describe the connectors for the brake for groups B to E.

11.3.1 Connectors for the Brake (for Groups B to E)

The models αiS 8 to αiS 200, αiS 8 HV to αiS 200 HV, and αiF 4 to αiF 40, and αiF 4 HV to αiF 22 HV use a dedicated connector to connect the built-in brake cable.

This connector is dripproof. It is connected by soldering, so no special tool is required.

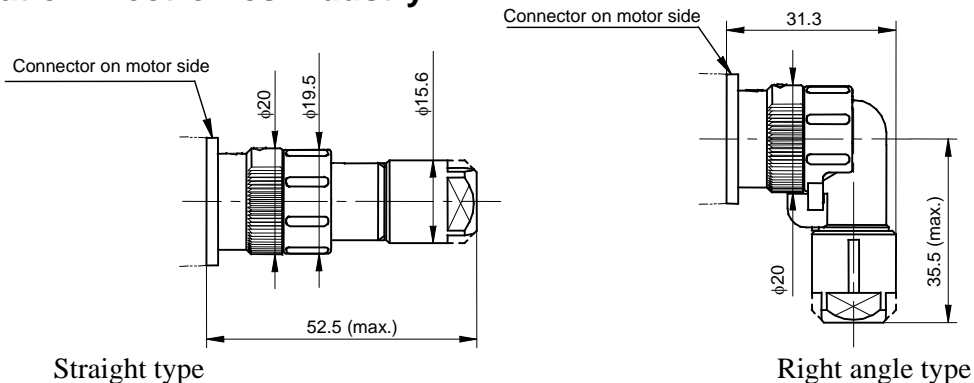
This connector differs from conventional connectors used for the α series. The following subsection explains this connector.

Consider soldering, cable clamp, and voltage drop. Also note that there are restrictions. The connector for the 24-V brake does not conform to the IEC60034 standard.

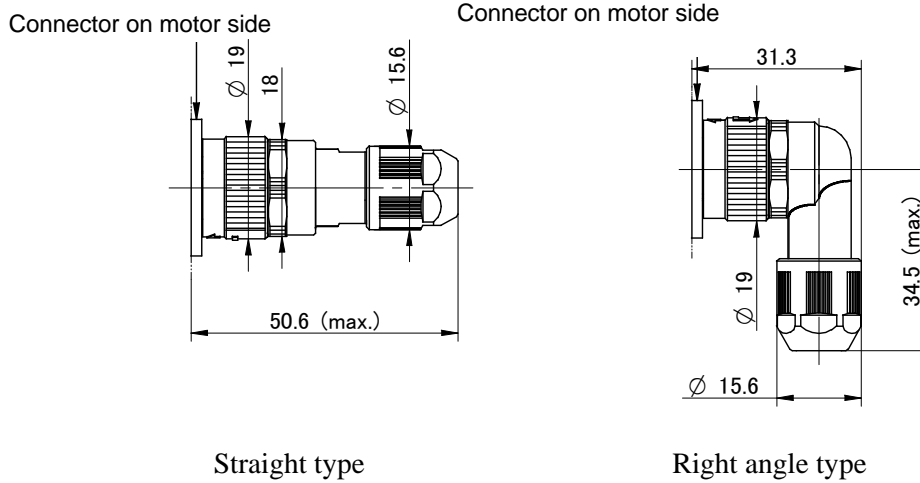
Specifications of connectors for brake

		Japan Aviation Electronics Industry	Hirose Electric
Connector specifications	Straight type	JN2DS04FK2-R (Japan Aviation Electronics Industry) A06B-6114-K213#S (FANUC specification)	HR34B-12WPD-4S (Hirose Electric) HR34B-12WPE-4S (Hirose Electric)
	Right angle	JN2FS04FK2-R (Japan Aviation Electronics Industry) A06B-6114-K213#E (FANUC specification)	HR34B-12WLPD-4S (Hirose Electric) HR34B-12WLPE-4S (Hirose Electric)
Applicable wire size		AWG#16 or less (1.25mm^2 or less) * Solder pot diameter $\phi 1.9$	
Insulation external diameter		$\phi 2.7$ or less	
Compatible cable O.D.		$\phi 6.5$ to 8.0	$\phi 5.7$ to 7.3 :HR34B-12WPD-4S HR34B-12WLPD-4S
			$\phi 6.5$ to 8.0 :HR34B-12WPE-4S HR34B-12WLPE-4S
Example of applicable wire		300-V two-conductor vinyl heavy-duty power cord cable VCTF (JIS C 3306) or equivalent	
Applicable wire size and cable length		0.75mm^2 (AWG#18) when cable length 30 m or less	
		1.25mm^2 (AWG#16) when cable length 50 m or less	

Japan Aviation Electronics Industry



Hirose Electric



⚠ CAUTION

- 1 The same body is used for the brake and fan connectors. They differ in the key position to prevent an improper insertion.
- 2 If the cable length is longer than or equal to 50 m, take measures such as installation of repeaters so that the sum of wire resistance (for both ways) becomes 1.5Ω or less.
- 3 For details of brakes, see Chapter 9, "BUILT-IN BRAKE."

11.4 CONNECTORS FOR THE FAN

The models αiS 50 with fan to αiS 500, αiS 50 HV with fan to αiS 3000 HV, and αiF 40 with fan use a dedicated connector to connect the cooling fan and power supply for the fan.

This connector is dripproof. It is connected by soldering, so no special tool is required.

This connector differs from conventional connectors used for the α series. The following subsection explains this connector.

Consider soldering, cable clamp, and voltage drop. Also note that there are restrictions.

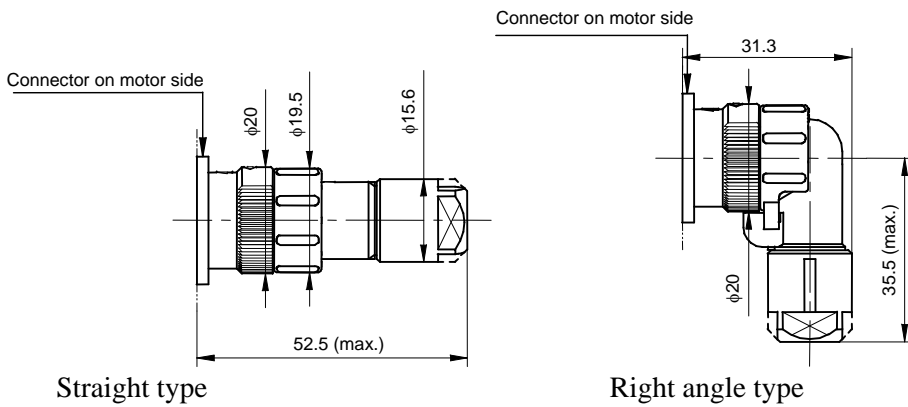
Specifications of connectors for fan

		Japan Aviation Electronics Industry	Hirose Electric
Connector specifications	Straight type	JN2DS04FK2X-R (Japan Aviation Electronics Industry) A06B-6114-K214#S (FANUC specification)	HR34B-12WPD-4S-X (Hirose Electric) HR34B-12WPE-4S-X (Hirose Electric)
	Right angle	JN2FS04FK2X-R (Japan Aviation Electronics Industry) A06B-6114-K214#E (FANUC specification)	HR34B-12WLPD-4S-X (Hirose Electric) HR34B-12WLPE-4S-X (Hirose Electric)
Applicable wire size	AWG#16 or less (1.25mm ² or less) * Solder pot diameter ϕ 1.9		
Insulation external diameter	ϕ 2.7 or less		
Compatible cable O.D.	ϕ 6.5 to 8.0	ϕ 5.7 to 7.3:HR34B-12WPD-4S-X HR34B-12WLPD-4S-X	
		ϕ 6.5 to 8.0:HR34B-12WPE-4S-X HR34B-12WLPE-4S-X	

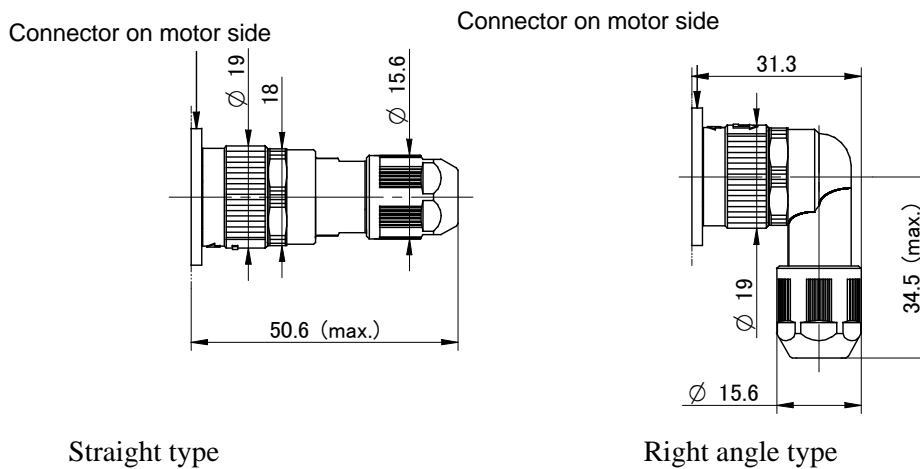
Example of applicable wire

Motor models	<i>αiS</i> 50/3000 with fan <i>αiS</i> 60/3000 with fan <i>αiS</i> 50/3000HV with fan <i>αiS</i> 60/3000HV with fan <i>αiF</i> 40/3000 with fan	<i>αiS</i> 100/2500 with fan <i>αiS</i> 200/2500 with fan <i>αiS</i> 300/2000 <i>αiS</i> 500/2000	<i>αiS</i> 100/2500 HV with fan <i>αiS</i> 200/2500 HV with fan <i>αiS</i> 300/2000 HV <i>αiS</i> 300/3000 HV <i>αiS</i> 500/2000 HV <i>αiS</i> 500/3000 HV <i>αiS</i> 1000/2000 HV <i>αiS</i> 1000/3000 HV <i>αiS</i> 2000/2000 HV <i>αiS</i> 3000/2000 HV
Example of applicable wire	300-V two-conductor vinyl heavy-duty power cord cable VCTF (JIS C 3306) or equivalent	300-V rated cable	600-V rated cable (300/500-V rated cable: IEC standard)
Applicable wire size and cable length	0.5 mm ² or more (AWG#20)		

Japan Aviation Electronics Industry



Hirose Electric



⚠ CAUTION

- 1 The same body is used for the brake and fan connectors. They differ in the key position to prevent an improper insertion.
- 2 If the cable length is longer than or equal to 50 m, take measures such as installation of repeaters so that the sum of wire resistance (for both ways) becomes 1.5Ω or less.
- 3 For details of brakes, see Chapter 10, "BUILT-IN BRAKE."

11.5 CONNECTION TO A CONDUIT HOSE

This section gives information on the specifications of several adapters to be connected that are made by conduit hose manufacturers for reference purposes.

Before using an adapter, contact the corresponding conduit hose manufacturer.

Specifications of plug connectors on the cable side (Waterproof type/seal adapter specifications)

Model Name	[E] Cable Seal adapter Straight type	[F] Cable Seal adapter Right angle type	[G] Conduit hose Seal adapter Straight type	[H] Conduit hose Seal adapter Right angle type
For power				
Group A			N2BM20-FN4 (SANKEI) MAS-SG16-M20 (NEOFLEX)	
Group B	C2KD1218 (SANKEI) YSO 18-12-14 (DAIWA DENGYOU) ACS-12RL-MS18F (NIPPON FLEX) CG12S-JL18 (NEOFLEX)	C29KD1218 (SANKEI) YLO 18-12-14 (DAIWA DENGYOU) ACA-12RL-MS18F (NIPPON FLEX) CG12A-JL18 (NEOFLEX)	KMKD1618 (SANKEI) MSA 16-18 (DAIWA DENGYOU) RCC-104RL-MS18F (NIPPON FLEX) MAS16S-JL18 (NEOFLEX)	KM90KD1618 (SANKEI) MAA 16-18 (DAIWA DENGYOU) RCC-304RL-MS18F (NIPPON FLEX) MAS16A-JL18 (NEOFLEX)
Group C	C2KD1622 (SANKEI) YSO 22-12-14 (DAIWA DENGYOU) ACS-16RL-MS22F (NIPPON FLEX) CG16S-JL22 (NEOFLEX)	C29KD1622 (SANKEI) YLO 22-12-14 (DAIWA DENGYOU) ACA-16RL-MS22F (NIPPON FLEX) CG16A-JL22 (NEOFLEX)	KMKD2222 (SANKEI) MSA 22-22 (DAIWA DENGYOU) RCC-106RL-MS22F (NIPPON FLEX) MAS22S-JL22 (NEOFLEX)	KM90KD2222 (SANKEI) MAA 22-22 (DAIWA DENGYOU) RCC-306RL-MS22F (NIPPON FLEX) MAS22A-JL22 (NEOFLEX)
Group D	C2KD2024 (SANKEI) YSO 24-15-17 (DAIWA DENGYOU) ACS-20RL-MS24F (NIPPON FLEX) CG22S-JL24 (NEOFLEX)	C29KD2024 (SANKEI) YLO 24-15-17 (DAIWA DENGYOU) ACA-20RL-MS24F (NIPPON FLEX) CG22A-JL24 (NEOFLEX)	KMKD2224 (SANKEI) MSA 22-24 (DAIWA DENGYOU) RCC-106RL-MS24F (NIPPON FLEX) MAS22S-JL24 (NEOFLEX)	KM90KD2224 (SANKEI) MAA 22-24 (DAIWA DENGYOU) RCC-306RL-MS24F (NIPPON FLEX) MAS22A-JL24 (NEOFLEX)

**Specifications of plug connectors on the cable side
(Waterproof type/seal adapter specifications)**

Model Name	[E] Cable Seal adapter Straight type	[F] Cable Seal adapter Right angle type	[G] Conduit hose Seal adapter Straight type	[H] Conduit hose Seal adapter Right angle type
For signal				
Common to all models			N2KY16-FN3 (SANKEI) PCJN-12-M13F (DAIWA DENGYOU) RQJN-M13-9 RQJN-M13-16 (NEOFLEX)	
For brake				
Common to all models			N2KY16-FN3 (SANKEI) PCJN-12-M13F (DAIWA DENGYOU) RQJN-M13-9 RQJN-M13-16 (NEOFLEX)	

INDEX

<A>

Absolute-type Pulsecoder.....	169
Allowable Axis Load ..	134,140,147,153,156,159,162,166
Allowable Axis Load for a Servo Motor.....	23
Ambient Temperature, Humidity, Installation Height, and Vibration.....	12
APPLICABLE AMPLIFIERS.....	8
APPROVED SPECIFICATIONS	61

Brake Connectors.....	174
BRAKE SPECIFICATIONS.....	173
BUILT-IN BRAKE.....	173

<C>

Cabling.....	155,161,164,167
Cabling (for <i>aiS</i> 300, <i>aiS</i> 500, <i>aiS</i> 300HV, and <i>aiS</i> 500HV).....	158
Calculating acceleration torque.....	36
Calculating the Acceleration Torque.....	36
Calculating the Dynamic Brake Stop Distance	43
Calculating the Load Inertia.....	34
Calculating the Load Torque.....	32
Calculating the Motor Speed.....	33
Calculating the Percentage Duty Cycle and ON Time with the Maximum Cutting Torque	42
Calculating the Root-mean-square Value of the Torques.....	40
Calculating the torque required by the motor shaft in acceleration.....	39
CAUTION.....	s-4
CAUTION LABEL.....	s-6
Cautions in Mounting a Servo Motor.....	26
CAUTIONS ON USE	177
Cautions when Using a Separate Type Pulsecoder	172
CHARACTERISTIC CURVE AND DATA SHEET.....	54
Characteristic Curves	54
Checking a Delivered Servo Motor and Storing a Servo Motor.....	18
CONDITIONS FOR APPROVAL RELATED TO THE IEC60034 STANDARD	59
CONDITIONS FOR SELECTING A SERVO MOTOR.....	29
CONNECTING A BRAKE.....	174
CONNECTING A COOLING FAN	180
Connecting a Separate Type Pulsecoder	170
CONNECTING A SERVO MOTOR.....	19
Connecting Pulsecoder.....	168
Connection of the Brakes	175
CONNECTION TO A CONDUIT HOSE.....	199
Connections Related to a Servo Motor.....	19
Connector.....	148
CONNECTORS FOR POWER.....	191
Connectors for Power (for Group A).....	191
Connectors for Power (for Groups B to D)	192

CONNECTORS FOR SIGNALS (FOR ALL <i>ai</i> SERIES MODELS).....	186
CONNECTORS FOR THE BRAKE	196
Connectors for the Brake (for Groups B to E)	196
CONNECTORS FOR THE FAN.....	197
CONNECTORS ON THE CABLE SIDE.....	185
CONNECTORS REQUIRED FOR APPROVAL.....	63
COOLING FAN.....	179
COOLING FAN CIRCUIT.....	181
COOLING FAN PROTECTION CIRCUIT	184
COOLING FAN SPECIFICATIONS	179
Cooling Method (IEC60034-6).....	62

<D>

Data Sheet.....	57
DEFINITION OF WARNING, CAUTION, AND NOTE	s-1

<E>

Explanation of Items	50
----------------------------	----

<F>

Fastening the Shaft.....	22
FEATURE.....	2
FEEDBACK SENSOR	168

<G>

GENERAL.....	1
Grounding (IEC60204-1).....	63

<H>

HOW TO FILL IN THE SERVO MOTOR SELECTION DATA TABLE	47
--	----

<I>

<i>aiF</i> series (200V).....	116
<i>aiF</i> series (400V).....	125
<i>aiS</i> series (200V).....	66
<i>aiS</i> series (400V).....	88

<L>

LINEUP OF THE SERIES	1
----------------------------	---

<M>

Mechanical specifications.....	51
Methods for coupling the shaft	21
MODEL <i>aiS</i> 1000/2000 HV (A06B-0098-B010).....	159
MODEL <i>aiS</i> 1000/3000 HV (A06B-0099-B010).....	162
MODELS <i>aiS</i> 100 to <i>aiS</i> 200 with FAN, <i>aiS</i> 100HV to <i>aiS</i> 200HV with FAN	150
MODELS <i>aiS</i> 2 to <i>aiS</i> 4, <i>aiS</i> 2HV to <i>aiS</i> 4HV, AND <i>aiF</i> 1 to <i>aiF</i> 2	130
MODELS <i>aiS</i> 2000 HV AND <i>aiS</i> 3000 HV	165

MODELS <i>aiS</i> 22 to <i>aiS</i> 60 with FAN, <i>aiS</i> 22HV to <i>aiS</i> 60HV with FAN, <i>aiF</i> 12 to <i>aiF</i> 40 with FAN, <i>aiF</i> 12HV to <i>aiF</i> 22HV	142
MODELS <i>aiS</i> 300, <i>aiS</i> 500, <i>aiS</i> 300 HV, AND <i>aiS</i> 500 HV	156
MODELS <i>aiS</i> 8 to <i>aiS</i> 12, <i>aiS</i> 8HV to <i>aiS</i> 12HV, <i>aiF</i> 4 to <i>aiF</i> 8, <i>aiF</i> 4HV to <i>aiF</i> 8HV	135
Motor specifications and characteristics	53
Motor Speed (IEC60034-1).....	61
MOUNTING A SERVO MOTOR.....	21
Mounting Method (IEC60034-7)	62
<N>	
NOTE.....	s-5
<O>	
ORDERING SPECIFICATION NUMBER	4
Other Notes on Axis Design.....	24
Outline Drawing of the Motors	130,135,142,150,156,159,162,165
OUTLINE DRAWINGS	129
Outline Drawings of Separate Pulsecoder	171
Output (IEC60034-1)	61
<P>	
Parts for Brake Circuits	176
Power and Brake Connector.....	134
Power Connector.....	141
Power Terminal Layout.....	154,160,163,166
Power Terminal Layout (for <i>aiS</i> 300 and <i>aiS</i> 500)	157
Power Terminal Layout (for <i>aiS</i> 300HV and <i>aiS</i> 500HV).....	157
PREFACE	p-1
Protection Type (IEC60034-5).....	61
PULSECODER.....	168
<R>	
RECOMMENDED PARTS OF COOLING FAN CIRCUIT	183
REDUCING THE AMOUNT OF BRAKE AXIS FALL	178
Remarks	63
<S>	
SAFETY PRECAUTIONS	s-1
SELECTING A MOTOR.....	29,31
SEPARATE PULSECODER	169
Separate Pulsecoder Specifications	170
Separate Pulsecoder Type and Designation	169
Separating and Disposing of a Servo Motor.....	19
Servo Motor Selection Data Table	47
Shaft Run-out Precision	134,140,148,153,156,160,163,166
Shaft Run-out Precision of a Servo Motor	23
Shaft Shape	132,136,146
SPECIFICATIONS	64
Specifications of moving object	50
<T>	
Title.....	50
TYPES OF MOTORS TO BE APPROVED.....	59
Types of Pulsecoders and Designation.....	168
<U>	
USAGE	12
Usage Considering Environmental Resistance.....	13
USE ENVIRONMENT FOR SERVO MOTORS	12
<W>	
WARNING	s-2

Revision Record

FANUC AC SERVO MOTOR αi series DESCRIPTIONS (B-65262EN)

04	Jan., 2007	<ul style="list-style-type: none"> • Changing of model names of following series $\alpha iS \rightarrow \alpha iS$, $\alpha i \rightarrow \alpha iF$ • Addition of models αiS 2/6000 and αiS 8/6000 • Addition of high-torque brake (70Nm) • Addition of models αiS 100 with fan to αiS 200HV with fan • Addition of models αiS 2000HV to 3000HV • Correction of errors 			
03	Mar., 2003	<ul style="list-style-type: none"> • Addition of Servo motor αiS series • Addition of Servo motor $\alpha(HV)iS$ series • Deletion of Servo motor αMi series • Deletion of Servo motor $\alpha M(HV)j$ series • Deletion of Servo motor αCi series 			
02	Jun., 2002	<ul style="list-style-type: none"> • Addition of model $\alpha 40i$ (with fan) • Addition of models $\alpha M50i$, $\alpha M50i$ (with fan), $\alpha M100i$, $\alpha M200i$, $\alpha M300i$, and $\alpha M500i$ • Addition of Servo motor $\alpha(HV)i$ series • Addition of Servo motor $\alpha M(HV)j$ series • Correction of errors 	06	Jun., 2010	<ul style="list-style-type: none"> • Addition of models αiS 4/6000 and αiS 12/6000 • Addition of models αiS 50/2000 and αiS 60/2000 • Addition of models αiS 300/3000HV, αiS 500/3000HV, αiS 1000/3000HV • Deletion of models αiS 50/3000 (without FAN) • Correction of errors
01	Jun., 2001	_____	05	Sep., 2008	<ul style="list-style-type: none"> • Addition of models αiS 22/6000 and αiS 22/6000HV • Correction of errors
Edition	Date	Contents	Edition	Date	Contents

B-65262EN/06



* B - 6 5 2 6 2 E N / 0 6 *