

# ProNet Series AC Servo User's Manual

(Version: V2.21)



ESTUN AUTOMATION TECHNOLOGY CO., LTD

— Total Solution Supplier

Copyright © 2011 ESTUN AUTOMATION TECHNOLOGY CO., LTD

---

All rights reserved. No part of this publication may be reproduced, stored in a retrieval system, or transmitted, in any form, or by any means, mechanical, electronic, photocopying, recording, or otherwise, without the prior written permission of ESTUN. No patent liability is assumed with respect to the use of the information contained herein.

## About this manual

- This manual describes the following information required for designing and maintaining ProNet series servo drives.
  - Specification of the servo drives and servomotors.
  - Procedures for installing the servo drives and servomotors.
  - Procedures for wiring the servo drives and servomotors.
  - Procedures for operating of the servo drives.
  - Procedures for using the panel operator.
  - Communication protocols.
  - Ratings and characteristics.
  
- Intended Audience:
  - Those designing ProNet series servo drive systems.
  - Those installing or wiring ProNet series servo drives.
  - Those performing trial operation or adjustments of ProNet series servo drives.
  - Those maintaining or inspecting ProNet series servo drives.

## Safety Precautions

---

- Do not connect the servomotor directly to the local electrical network.  
Failure to observe this may result in damage to servomotor.
- Do not plug or unplug connectors from servo drive when power is on.  
Failure to observe this may result in damage to servo drive and servomotor.
- Please note that even after power is removed, residual voltage still remains in the capacitor inside the servo drive. If inspection is to be performed after power is removed, please wait 5 minutes to avoid risk of electrical shock.
- Keep servo drives and other devices separated by at least 10mm.  
The servo drive generates heat. Install the servo drive so that it can radiate heat freely. When installing servo drives with other devices in a control panel, provide at least 10mm space between them and 50mm space above and below them. Please install servo drives in an environment free from condensation, vibration and shock.
- Perform noise reduction and grounding properly.  
Please comply with the following instructions to avoid noise generated by signal lines.
  1. Separate high-voltage cables from low-voltage cables.
  2. Use cables as short as possible.
  3. Single point grounding is required for the servomotor and servo drive (grounding resistance 100mΩ or below).
  4. Never use a line filter for the motor's power supply in the circuit.
- Conduct a voltage resistance test for the servo drive under the following conditions:
  1. Input voltage: AC 1500Vrms, 1 minute
  2. Braking current: 100mA
  3. Frequency: 50/60Hz
  4. Voltage applied point: Between L1, L2, L3 terminals and frame ground.
- Use a fast-response type ground-fault interrupter.  
For a ground-fault interrupter, always use a fast-response type or one designed for PWM inverters. Do not use a time-delay type.
- Do not make any extreme adjustments or setting changes of parameters.  
Failure to observe this caution may result in injury or damage to the product due to unstable operation.
- The servomotor cannot be operated by turning the power on and off.  
Frequently turning the power ON and OFF causes the internal circuit elements to deteriorate, resulting in unexpected problems. Always start or stop the servomotor by using reference pulses.
- Follow the instructions for PCB use:
  1. Before touch the PCB, the body of the user must be discharged.
  2. The PCB cannot be contact with highly insulating materials.
  3. The PCB is only allowed to put on the conductive pad.
  4. The PCB is only allowed to store and transport packaging in conductive wrapper or conductive foam rubber or aluminum foil.
- Precautions on turning ON and turning OFF the servo drive:
  1. When turning on the servo drive, make sure that the control power supply has be turned on before turning on the main circuit power supply.
  2. When turning off the servo drive, make sure that the main circuit power supply has be turned off before turning off the control power supply.

**—Contents—**

About this manual .....	- 1 -
Safety Precautions .....	- 2 -
Chapter 1 .....	- 7 -
Checking Products and Parts Names.....	- 7 -
1.1 Checking Products on Delivery .....	- 7 -
1.1.1 Servomotor .....	- 7 -
1.1.2 Servo drive .....	- 10 -
1.2 Part Names.....	- 18 -
1.2.1 Servomotor .....	- 18 -
1.2.2 Servo drive .....	- 18 -
Chapter 2 .....	- 24 -
Installation.....	- 24 -
2.1 Servomotor .....	- 24 -
2.1.1 Storage .....	- 24 -
2.1.2 Installation Sites .....	- 24 -
2.1.3 Installation Alignment.....	- 25 -
2.1.4 Installation Orientation .....	- 25 -
2.1.5 Handling Oil and Water.....	- 25 -
2.1.6 Cable Tension.....	- 26 -
2.1.7 Install to the Client .....	- 26 -
2.2 Servo Drive .....	- 26 -
2.2.1 Storage .....	- 26 -
2.2.2 Installation Sites .....	- 26 -
2.2.3 Installation Orientation .....	- 27 -
2.2.4 Installation Method .....	- 27 -
Chapter 3 .....	- 29 -
Wiring.....	- 29 -
3.1 Main Circuit Wiring.....	- 29 -
3.1.1 Names and Functions of Main Circuit Terminals.....	- 29 -
3.1.2 Typical Main Circuit Wiring Examples.....	- 30 -
3.2 I/O Signals .....	- 34 -
3.2.1 Examples of I/O Signal Connections .....	- 34 -
3.2.2 I/O Signal Names and Functions .....	- 35 -
3.2.3 I/O Signal Connector (CN1) Terminal Layout .....	- 37 -
3.2.4 Interface Circuit .....	- 38 -
3.3 Wiring Encoders.....	- 39 -
3.3.1 Connecting an Encoder(CN2).....	- 39 -
3.3.2 Encoder Connector(CN2) Terminal Layout .....	- 41 -
3.4 Communication Connection .....	- 41 -
3.4.1 Communication Connector(CN3) Terminal Layout .....	- 41 -
3.4.2 Communication Connector(CN4) Terminal Layout .....	- 42 -
3.5 Standard Wiring Examples.....	- 43 -

3.5.1 Single-phase 200V ProNet-A5A~04A/ProNet-E-A5A~04A.....	- 43 -
3.5.2 Three-phase 200V ProNet-08A~50A/ProNet-E-08A~50A.....	- 44 -
3.5.3 Three-phase 400V ProNet-10D~70D/ProNet-E-10D~50D.....	- 45 -
3.5.4 Three-phase 400V ProNet-75D~2BD.....	- 46 -
3.5.5 Single-phase 100V ProNet-02B/ProNet-E-02B.....	- 47 -
3.5.6 Single-phase 100V ProNet-04B /ProNet-E-04B.....	- 48 -
3.5.7 Single-phase 100V ProNet-08B/ ProNet-E-08B.....	- 49 -
3.5.8 Position Control Mode.....	- 50 -
3.5.9 Speed Control Mode.....	- 51 -
3.5.10 Torque Control Mode.....	- 52 -
3.6 Wiring for Noise Control.....	- 53 -
3.6.1 Noise Control.....	- 53 -
3.6.2 Precautions on Connecting Noise Filter.....	- 54 -
3.7 Installation Conditions of EMC Directives.....	- 56 -
3.8 Using More than One Servo Drive.....	- 58 -
3.9 Connecting DC Bus.....	- 60 -
Chapter 4.....	- 61 -
Operation.....	- 61 -
4.1 Trial Operation.....	- 61 -
4.1.1 Trial Operation for Servomotor Without Load.....	- 63 -
4.1.2 Trial Operation for Servomotor without Load from Host Reference.....	- 65 -
4.1.3 Trial Operation with the Servomotor Connected to the Machine.....	- 69 -
4.1.4 Trial Operation for Servomotor with Brakes.....	- 70 -
4.1.5 Position Control by Host Controller.....	- 70 -
4.2 Control Mode Selection.....	- 71 -
4.3 Setting Common Basic Functions.....	- 72 -
4.3.1 Setting the Servo ON Signal.....	- 72 -
4.3.2 Switching the Servomotor Rotation Direction.....	- 73 -
4.3.3 Setting the Overtravel Limit Function.....	- 74 -
4.3.4 Setting for Holding Brakes.....	- 77 -
4.3.5 Instantaneous Power Loss Settings.....	- 80 -
4.4 Absolute Encoders.....	- 81 -
4.4.1 Selecting an Absolute Encoder.....	- 81 -
4.4.2 Handling Battery.....	- 82 -
4.4.3 Replacing Battery.....	- 83 -
4.4.4 Absolute Encoder Setup(Fn010、Fn011).....	- 83 -
4.5 Operating Using Speed Control with Analog Reference.....	- 84 -
4.5.1 Setting Parameters.....	- 84 -
4.5.2 Setting Input Signals.....	- 85 -
4.5.3 Adjusting Reference Offset.....	- 86 -
4.5.4 Soft Start.....	- 89 -
4.5.5 Speed Reference Filter Time Constant.....	- 89 -
4.5.6 S-curve Risetime.....	- 90 -
4.5.7 Using the Zero Clamp Function.....	- 90 -
4.5.8 Encoder Signal Output.....	- 92 -
4.5.9 Speed coincidence output.....	- 93 -

4.6 Operating Using Position Control.....	- 94 -
4.6.1 Basic Setting in Position Control.....	- 94 -
4.6.2 Setting the Clear Signal.....	- 98 -
4.6.3 Setting the Electronic Gear.....	- 98 -
4.6.4 Smoothing.....	- 102 -
4.6.5 Low Frequency Vibration Suppression.....	- 103 -
4.6.6 Positioning Completion Output Signal.....	- 105 -
4.6.7 Reference Pulse Inhibit Function (INHIBIT).....	- 106 -
4.6.8 Position Control (contact reference).....	- 107 -
4.6.9 Position Homing Control (Homing Function).....	- 110 -
4.7 Operating Using Torque Control.....	- 113 -
4.7.1 Setting Parameters.....	- 113 -
4.7.2 Torque Reference Input.....	- 114 -
4.7.3 Adjusting the Reference Offset.....	- 115 -
4.7.4 Limiting Servomotor Speed During Torque Control.....	- 116 -
4.8 Operating Using Speed Control with an Internally Set Speed.....	- 117 -
4.8.1 Setting Parameters.....	- 118 -
4.8.2 Input Signal Settings.....	- 119 -
4.8.3 Operating Using an Internally Set Speed.....	- 119 -
4.9 Limiting Torque.....	- 120 -
4.9.1 Internal Torque Limit.....	- 120 -
4.9.2 External Torque Limit.....	- 121 -
4.9.3 Torque Limiting Using an Analog Voltage Reference.....	- 122 -
4.10 Control Mode Selection.....	- 123 -
4.10.1 Setting Parameters.....	- 123 -
4.10.2 Switching the Control Mode.....	- 123 -
4.11 Other Output Signals.....	- 124 -
4.11.1 Servo alarm output.....	- 124 -
4.11.2 Rotation Detection Output Signal (/TGON).....	- 125 -
4.11.3 Servo Ready (/S-RDY) Output.....	- 125 -
4.11.4 Encoder C Pulse Output (/PGC).....	- 125 -
4.11.5 Over travel signal output (OT).....	- 126 -
4.11.6 Servo Enabled Motor Excitation Output(/RD).....	- 126 -
4.11.7 Torque Limit Detection Output (/CLT).....	- 126 -
4.11.8 Torque Detection Output (/TCR).....	- 128 -
4.12 Online Autotuning.....	- 128 -
4.12.1 Online Autotuning.....	- 128 -
4.12.2 Online Autotuning Procedure.....	- 129 -
4.12.3 Setting Online Autotuning.....	- 130 -
4.12.4 Machine Rigidity Setting for Online Autotuning.....	- 130 -
4.13 Inertia.....	- 132 -
4.14 Adaptive notch filter.....	- 132 -
4.14.1 Adaptive notch filter principle.....	- 132 -
4.14.2 Related Parameters.....	- 133 -
4.15 The use of Torque Observer.....	- 134 -
4.15.1 Equivalent load inertia ratio is adaptive.....	- 134 -

4.15.2 Load torque compensation .....	- 135 -
4.15.3 Related parameters .....	- 135 -
Chapter 5 .....	- 137 -
Panel Operator .....	- 137 -
5.1 Basic Operation .....	- 137 -
5.1.1 Functions on Panel Operator .....	- 137 -
5.1.2 Resetting Servo Alarms .....	- 137 -
5.1.3 Basic Mode Selection .....	- 138 -
5.1.4 Status Display Mode .....	- 138 -
5.1.5 Operation in Parameter Setting Mode .....	- 140 -
5.1.6 Operation in Monitor Mode .....	- 141 -
5.2 Operation in Utility Function Mode .....	- 144 -
5.2.1 Alarm Traceback Data Display .....	- 144 -
5.2.2 Parameter Settings Initialization .....	- 145 -
5.2.3 Operation in JOG Mode .....	- 146 -
5.2.4 Automatic Adjustment of the Speed Reference Offset .....	- 147 -
5.2.5 Manual Adjustment of the Speed Reference Offset .....	- 148 -
5.2.6 Offset-adjustment of Servomotor Current Detection Signal .....	- 149 -
5.2.7 Software Version Display .....	- 151 -
5.2.8 Position Teaching Function .....	- 151 -
5.2.9 Static Inertia Detection .....	- 151 -
5.2.10 Absolute Encoder Multiturn Data and Alarm Reset .....	- 152 -
5.2.11 Absolute Encoder Related Alarms Reset .....	- 152 -
Chapter 6 .....	- 153 -
MODBUS Communication .....	- 153 -
6.1 RS-485 Communication Wiring .....	- 153 -
6.2 MODBUS Communication Related Parameters .....	- 154 -
6.3 MODBUS Communication Protocol .....	- 155 -
6.3.1 Code Meaning .....	- 155 -
6.3.2 Communication Error Disposal .....	- 161 -
6.3.3 Data Communication Address of Servo State .....	- 162 -
Chapter 7 .....	- 165 -
Specifications and Characters .....	- 165 -
7.1 Servo drive Specifications and Models .....	- 165 -
7.2 Servo drive Dimensional Drawings .....	- 168 -
Appendix A .....	- 171 -
Parameter .....	- 171 -
A.1 Parameter List .....	- 171 -
A.2 Description of Parameter Type .....	- 178 -
A.3 Parameters in detail .....	- 179 -
Appendix B .....	- 200 -
Alarm Display .....	- 200 -



# Chapter 1

## Checking Products and Parts Names

### 1.1 Checking Products on Delivery

Check Items	Comments
Are the delivered products the ones that were ordered?	Check the model numbers marked on the nameplate on the servomotor and servo drive.
Is there any damage?	Check the overall appearance, and check for damage or scratches that may have occurred during shipping.
Does the servomotor shaft rotate smoothly?	If the servomotor shaft can be easily rotated by hand, then the motor is working normally. However, if a brake is installed on the servomotor, then it cannot be turned by hand.

If any of the above items are faulty or incorrect, contact your ESTUN representative or the dealer from whom you purchased the products.

#### 1.1.1 Servomotor

##### ■ Servomotor Model Designation

**EMJ- 08 A P B 1 1 -WR**

ESTUN Servomotor							
EMJ Model	<b>【1+2】</b>	<b>【3】</b>	<b>【4】</b>	<b>【5】</b>	<b>【6】</b>	<b>【7】</b>	<b>【8+9】</b>

##### 【1+2】

Rated Output

Code	Spec.
A5	0.05 kW
01	0.1 kW
02	0.2kW
04	0.4kW
08	0.75kW
10	1.0kW

##### 【3】 Voltage

Code	Spec.
A	200VAC
B	100VAC

##### 【4】 Encoder

Code	Spec.
D	Single-turn absolute encoder : 131072P/R
P	Incremental Wire-saving Type: 2500P/R
F	Single-turn absolute encoder : 1048576P/R
S	Multi-turn absolute encoder: 131072P/R

##### 【5】 Designing Sequence

Code	Spec.
A,B, C,H	Designing sequence

##### 【6】 Shaft End

Code	Spec.
1	Straight without key (Standard)
2	Straight with key and tap

##### 【7】 Option

Code	Spec.
1	None
2	With oil seal
3	With brake (DC24V)
4	With oil seal and brake(DC24V)

##### 【8+9】 Connector

Code	Spec.
	Standard connector
WR	Water proof connector (Incremental Wire-saving Type)

Note: EMJ-A5/01□□□□□□ and EMJ-□□□D/F/S□□ support water proof connector default.

**EMG- 10 A D A 1 1**

ESTUN Servomotor	<b>【1+2】</b>	<b>【3】</b>	<b>【4】</b>	<b>【5】</b>	<b>【6】</b>	<b>【7】</b>
EMG Model						

**【1+2】**

Rated Output

Code	Spec.
10	1.0kW
15	1.5kW
20	2.0kW
30	3.0kW
50	5.0kW

**【4】 Encoder**

Code	Spec.
D	Single-turn absolute encoder : 131072P/R
P	Incremental Wire-saving Type: 2500P/R
F	Single-turn absolute encoder : 1048576P/R
S	Multi-turn absolute encoder: 131072P/R

**【7】 Option**

Code	Spec.
1	None
2	With oil seal
3	With brake (DC24V)
4	With oil seal and brake(DC24V)

**【3】 Voltage**

Code	Spec.
A	200VAC
D	400VAC

**【5】 Designing Sequence**

Code	Spec.
A	Designing sequence A
B	Designing sequence B

**【6】 Shaft End**

Code	Spec.
1	Straight without key (Standard)
2	Straight with key and tap

Note: 1. The EMG-30A□□□□, EMG-50A□□□□ servomotors are not mounted with an incremental encoder 131072P/R.

2. There is no brake mounted on the EMG-□□□□□□□□ servomotor.

**EML- 10 A D A 1 1**

ESTUN Servomotor	<b>【1+2】</b>	<b>【3】</b>	<b>【4】</b>	<b>【5】</b>	<b>【6】</b>	<b>【7】</b>
EML Model						

**【1+2】**

Rated Output

Code	Spec.
10	1.0kW
20	2.0kW
30	3.0kW
40	4.0kW

**【4】 Encoder**

Code	Spec.
D	Single-turn absolute encoder : 131072P/R
P	Incremental Wire-saving Type: 2500P/R
F	Single-turn absolute encoder : 1048576P/R
S	Multi-turn absolute encoder: 131072P/R

**【7】 Option**

Code	Spec.
1	None
2	With oil seal
3	With brake (DC24V)
4	With oil seal and brake(DC24V)

**【3】 Voltage**

Code	Spec.
A	200VAC
D	400VAC

**【5】 Designing Sequence**

Code	Spec.
A	Designing sequence A
B	Designing sequence B

**【6】 Shaft End**

Code	Spec.
1	Straight without key (Standard)
2	Straight with key and tap

Note: 1. EML-20□□□□□□、EML-30□□□□□□、EML-40□□□□□□ are not mounted with an incremental encoder 131072P/R.

2. There is no brake mounted on the EML-10□□□□□□ servomotor.

**EMB- 1E D S A 1 1**

ESTUN Servomotor						
EMB Model	<b>【1+2】</b>	<b>【3】</b>	<b>【4】</b>	<b>【5】</b>	<b>【6】</b>	<b>【7】</b>

**【1+2】**

Rated Output

Code	Spec.
75	7.5kW
1A	11.0kW
1E	15.0kW
2B	22.0kW

**【3】 Voltage**

Code	Spec.
D	400VAC

**【4】 Encoder**

Code	Spec.
S	Multi-turn absolute encoder: 131072P/R
R	Resolver

**【5】 Designing Sequence**

Code	Spec.
A	Designing sequence A

**【7】 Option**

Code	Spec.
1	None
2	With oil seal
3	With brake (DC24V)
4	With oil seal and brake(DC24V)

**【6】 Shaft End**

Code	Spec.
1	Straight without key (Standard)
2	Straight with key and tap

**EMS- 02 D F A 1 1**

ESTUN Servomotor						
EMS Model	<b>【1+2】</b>	<b>【3】</b>	<b>【4】</b>	<b>【5】</b>	<b>【6】</b>	<b>【7】</b>

**【1+2】**

Rated Output

Code	Spec.
02	0.2kW
04	0.4kW
08	0.75kW
10	1.0kW
15	1.5 kW
20	2.0kW
25	2.5kW
30	3.0kW
40	4.0kW
50	5.0kW

**【3】 Voltage**

Cod	Spec.
A	200VAC
D	400VAC

**【4】 Encoder**

Cod	Spec.
F	Single-turn absolute encoder : 1048576P/R
U	Multi-turn absolute encoder : 1048576P/R

**【5】 Designing Sequence**

Cod	Spec.
A	Designing sequence A
B	Designing sequence B

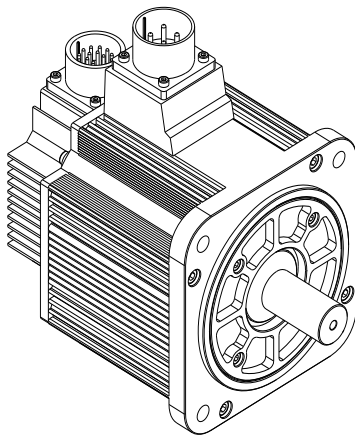
**【7】 Option**

Code	Spec.
1	None
2	With oil seal
3	With brake (DC24V)
4	With oil seal and brake(DC24V)

**【6】 Shaft End**

Code	Spec.
1	Straight without key (Standard)
2	Straight with key and tap

■ Appearance and Nameplate



Servomotor model →  
Ratings →  
Serial number →

**ESTUN AC SERVOMOTOR**

<b>EMG-10ADA22</b>		<b>2000 r/min</b>	
<b>1.0kW</b>	<b>4.78N·m</b>	<b>IP65</b>	<b>Ins.F</b>
<b>6.0A</b>	<b>AC 200V,3~</b>	<b>S1</b>	<b>133Hz</b>

**S/N:5119063J08D**  
  
  
 Estun Automation Technology Co.,Ltd  
 155 Jiangjun Road, Jiangning Development Zone, Nanjing 211106, P.R.China  
 Made in China

1.1.2 Servo drive

■ ProNet Servo drive Model Designation

**PRONET - 10 A E A -P**

ProNet Model

Rated Output

- A5 0.05 kW
- 01 0.1 kW
- 02 0.2 kW
- 04 0.4 kW
- 08 0.75 kW
- 10 1.0 kW
- 15 1.5 kW
- 20 2.0 kW
- 30 3.0 kW
- 50 5.0 kW
- 70 7.0kW
- 75 7.5 kW
- 1A 11 kW
- 1E 15 kW
- 2B 22 kW

Voltage

- A 200VAC
- B: 100VAC
- D 400VAC

Control Mode

- M Speed control, torque control, position control
- E Speed control, torque control, position control (support extended module)

Extended module type

- D DP100
- E EC100
- P PL100
- EC integrated EC100②

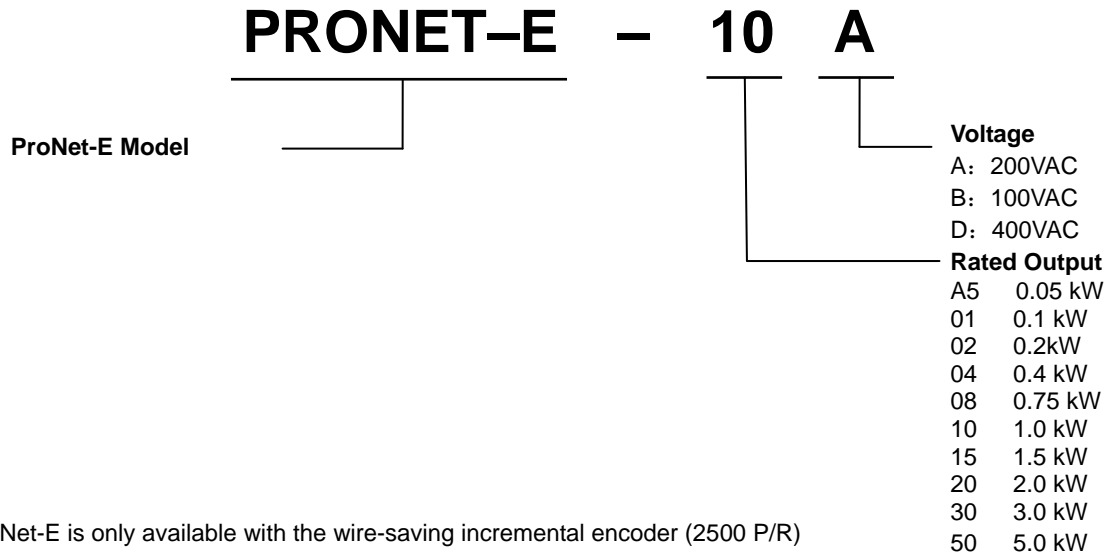
Encoder Interface

- A 17-bit serial encoder Absolute Encoder
- B Resolver①
- F 20-bit serial encoder Absolute Encoder

Note:

- ① Resolver, with the feature of high reliability and long service life, is suitable for harsh environments and a wide range of temperatures and humidity levels. The factory setting for the resolver precision used in the ESTUN servo drive is 4096.
- ② ProNet-□□□□-EC refers to "EtherCAT User's Manual".
- ③ ProNet-□□□□ Supports AE100 model. ProNet-□□□□M does not support extended module.

■ ProNet-E Servo drive Model Designation

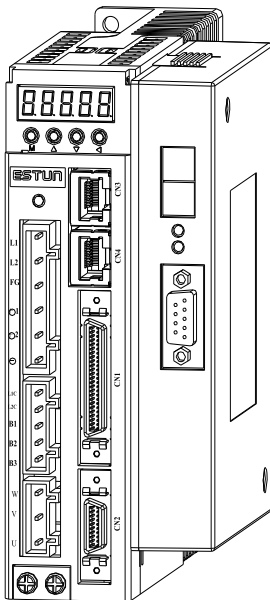


Note:

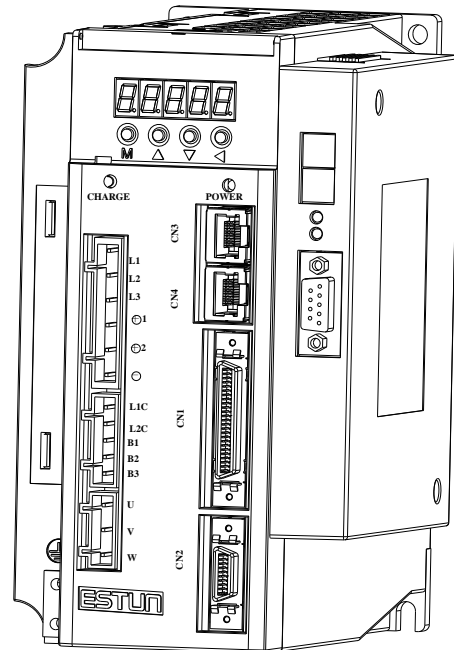
- ① ProNet-E is only available with the wire-saving incremental encoder (2500 P/R)
- ② ProNet-E does not support extended module.

■ ProNet Servo Drive Appearance

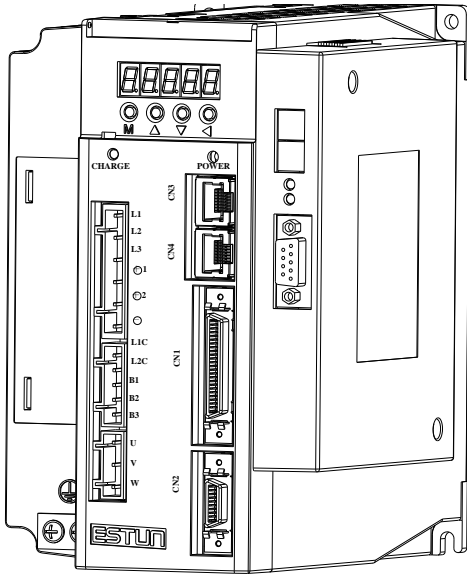
ProNet- A5A/01A/02A/04A



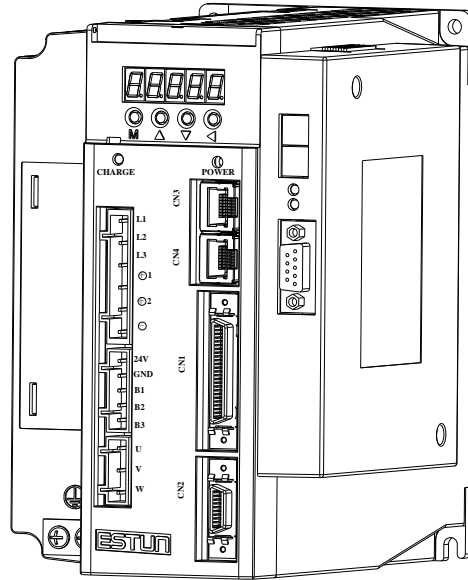
ProNet-08A/10A



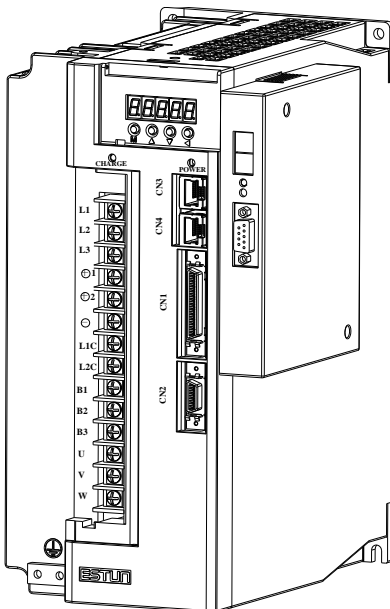
ProNet-15A/20A



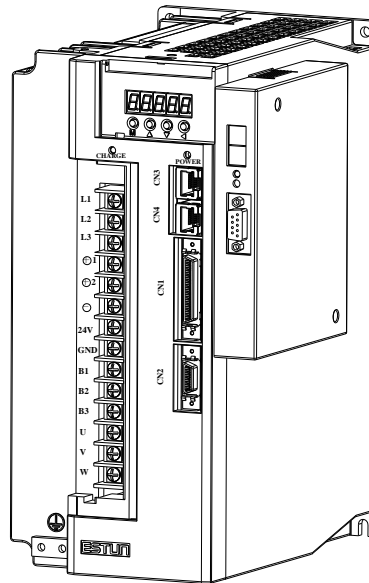
ProNet-10D/15D/20D



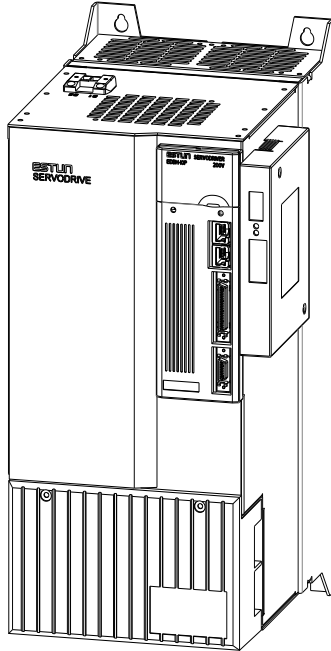
ProNet-30A/50A



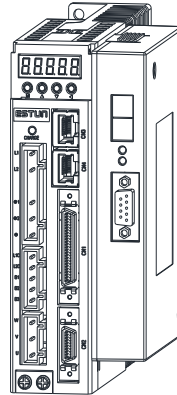
ProNet-30D/50D/70D/75D



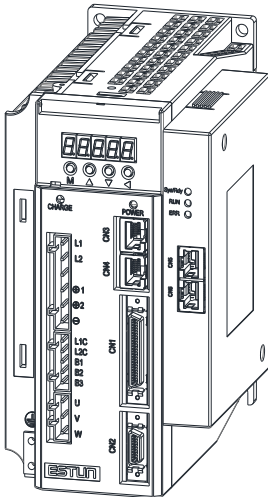
ProNet-1AD/1ED/2BD



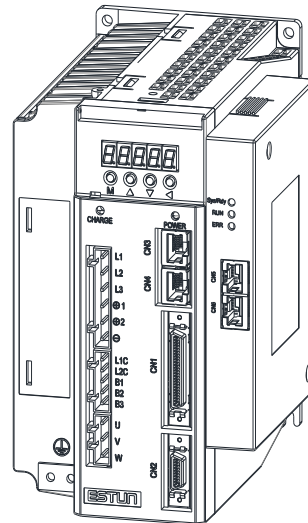
ProNet-02B



ProNet-04B

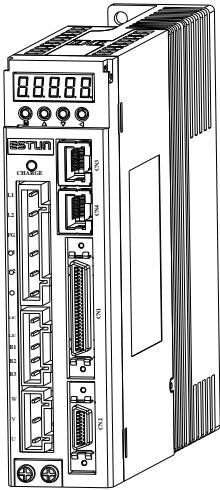


ProNet-08B

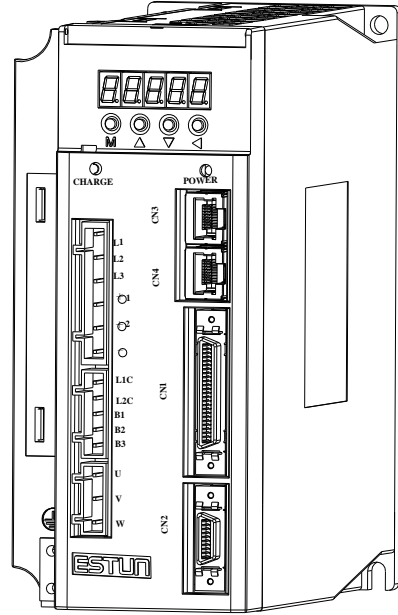


■ ProNet-E Servo Drive Appearance

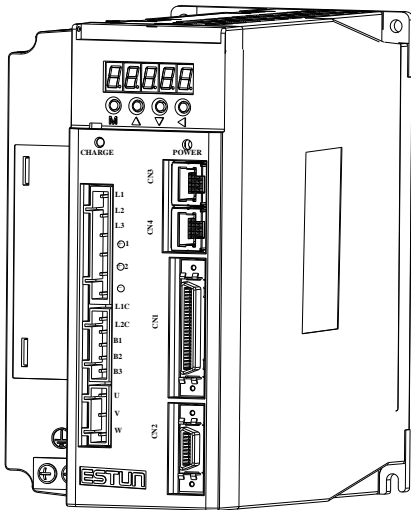
ProNet-E- A5A/01A/02A/04A



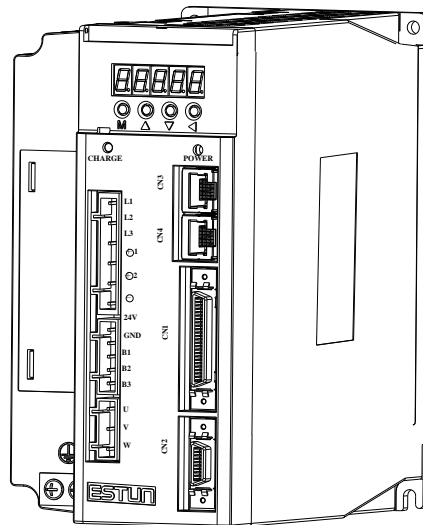
ProNet-E-08A/10A



ProNet-E-15A/20A

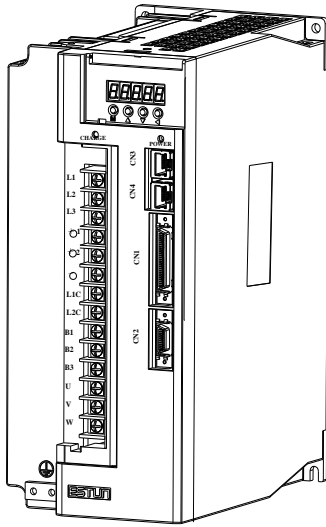


ProNet-E-10D/15D/20D

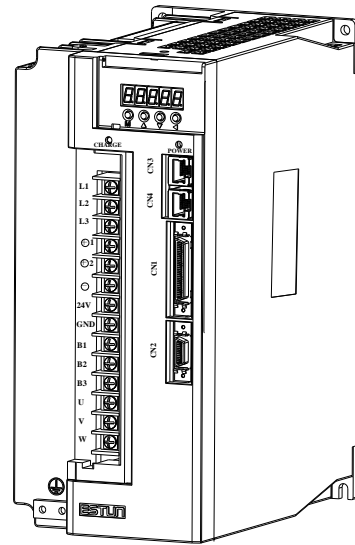




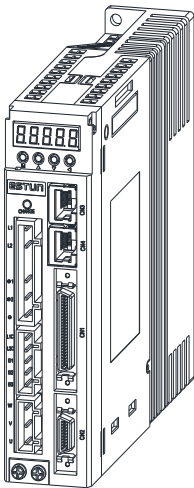
ProNet-E-30A/50A



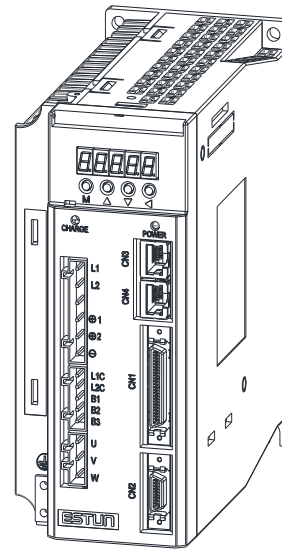
ProNet-E-30D/50D



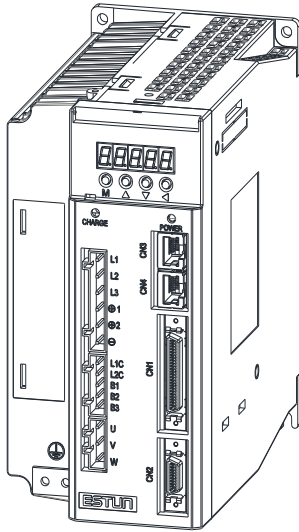
ProNet-E-02B








ProNet-E-04B



ProNet-E-08B



■ ProNet Servo Drive Nameplate

Servodrive model →	<b>ESTUN</b> <b>SERVODRIVE</b>		← Applicable servomotor capacity
	<b>MODEL PRONET-04AMA</b>		
Applicable power supply →	<b>AC-INPUT</b>	<b>AC-OUTPUT</b>	
	1PH 200-230V 50/60Hz 3.7A	3PH 0-200V 0-300Hz 2.7A 0.4kW	
Serial number →	S/N: 6600001J001		
			
	Estun Automation Technology Co., Ltd. Made in China		
<div style="border: 1px solid black; padding: 5px;">  切断电源 5 分钟内，请勿触摸驱动器端子和配线！有触电的危险。  <b>危险</b> 危险。  <b>WARNING</b> Disconnect all power and wait 5 min. before servicing. May cause electric shock.         </div> <div style="border: 1px solid black; padding: 5px; margin-top: 5px;">  <b>注意</b> 请勿触摸散热片！有烫伤危险。  <b>CAUTION</b> Do not touch heatsink. May cause burn.         </div> <div style="border: 1px solid black; padding: 5px; margin-top: 5px;">  接地端子必须接地。            Use proper grounding techniques.         </div>			

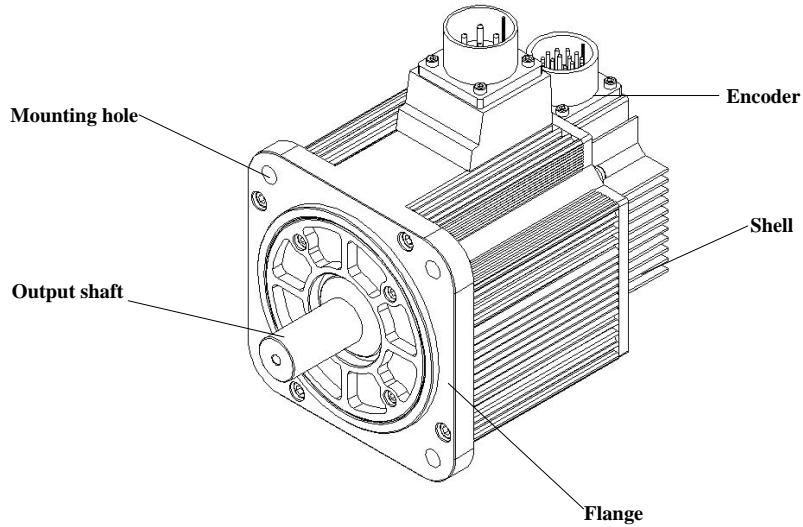
■ ProNet-E Servo Drive Nameplate

Servodrive model →	<b>ESTUN</b> <b>SERVODRIVE</b>		← Applicable servomotor capacity
	<b>MODEL PRONET-E-50A</b>		
Applicable power supply →	<b>AC-INPUT</b>	<b>AC-OUTPUT</b>	
	3PH 200-230V 50/60Hz 22.4A	3PH 0-200V 0-300Hz 28.0A 5.0kW	
Serial number →	S/N: 6600001J001		
			
	Estun Automation Technology Co., Ltd. Made in China		
<div style="border: 1px solid black; padding: 5px;">  切断电源 5 分钟内，请勿触摸驱动器端子和配线！有触电的危险。  <b>危险</b> 危险。  <b>WARNING</b> Disconnect all power and wait 5 min. before servicing. May cause electric shock.         </div> <div style="border: 1px solid black; padding: 5px; margin-top: 5px;">  <b>注意</b> 请勿触摸散热片！有烫伤危险。  <b>CAUTION</b> Do not touch heatsink. May cause burn.         </div> <div style="border: 1px solid black; padding: 5px; margin-top: 5px;">  接地端子必须接地。            Use proper grounding techniques.         </div>			

## 1.2 Part Names

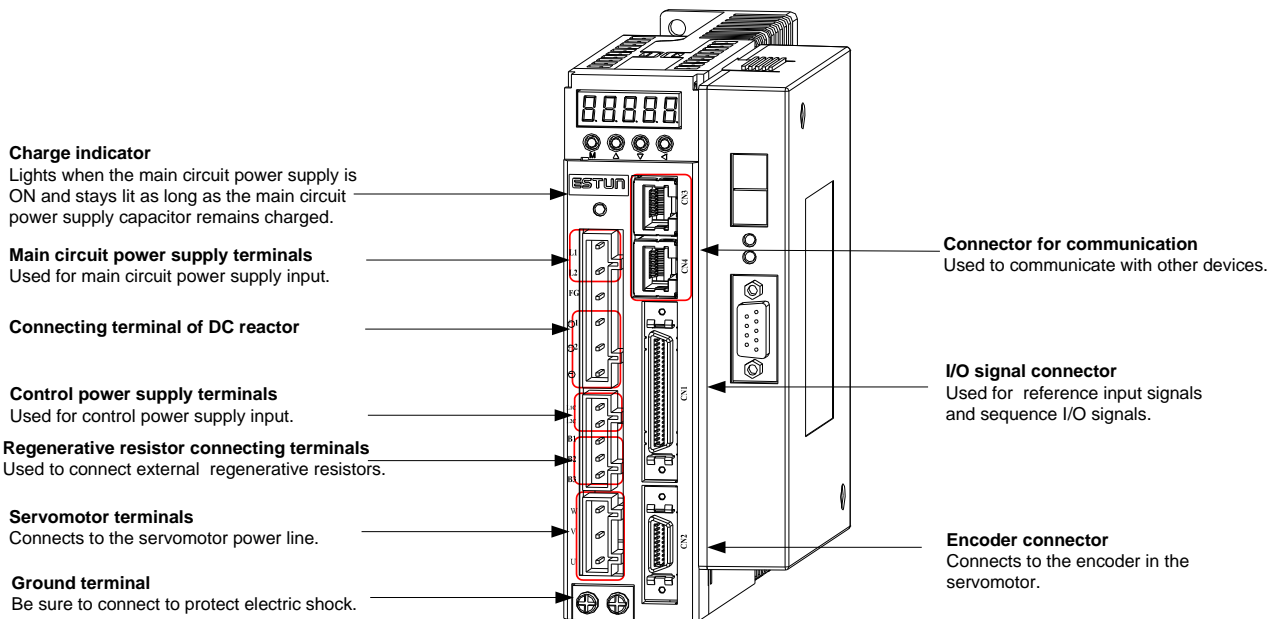
### 1.2.1 Servomotor

Servomotor without gear and brake:

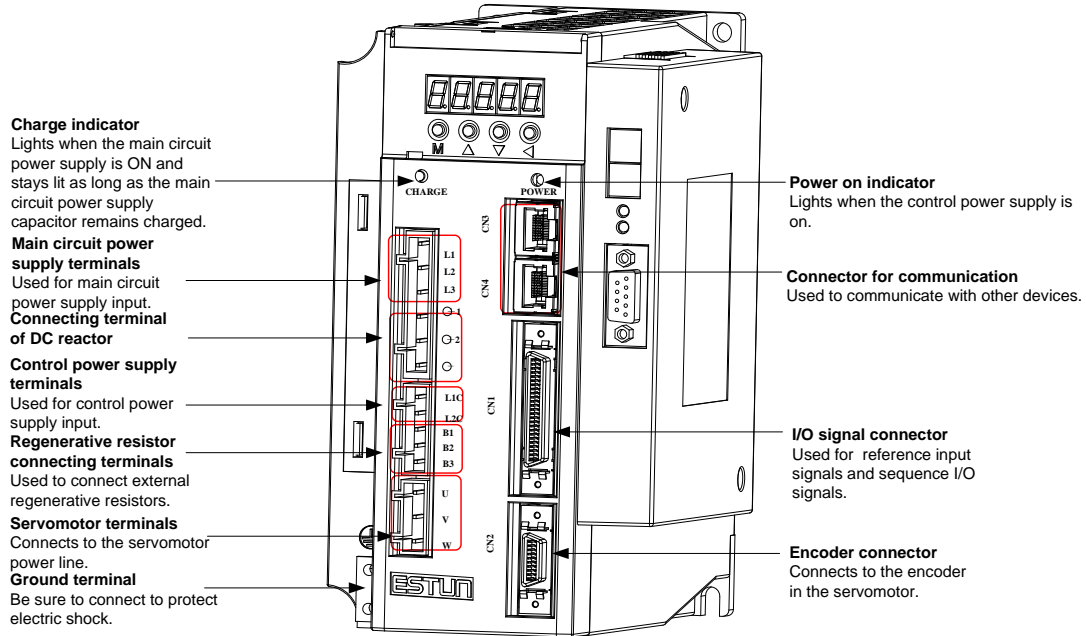


### 1.2.2 Servo drive

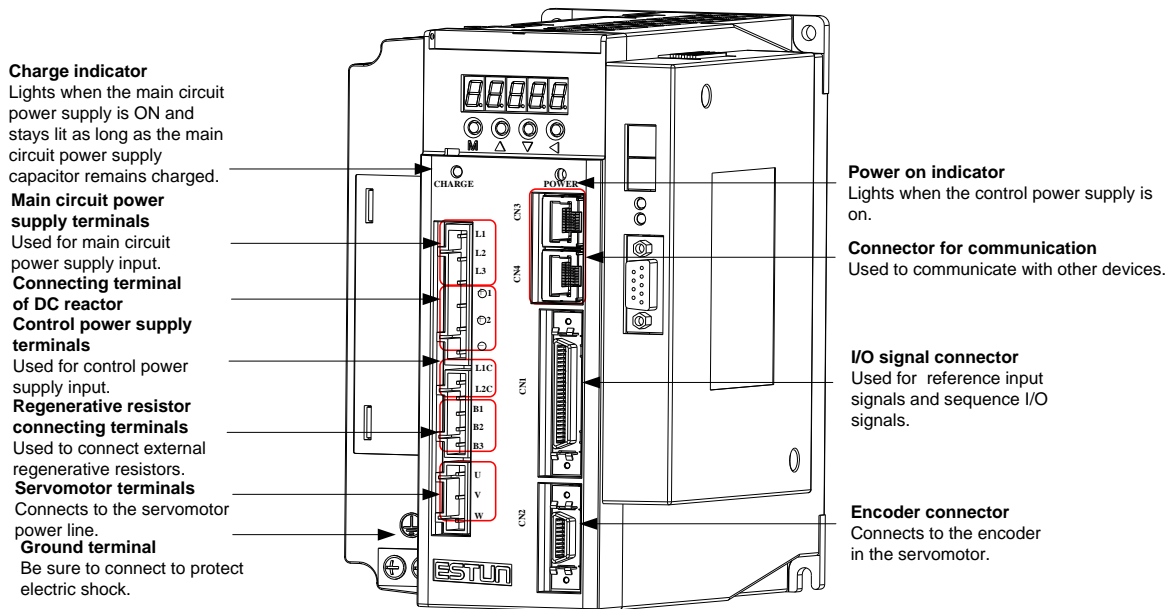
#### ■ ProNet-02A/04A/ProNet-E-02A/04A



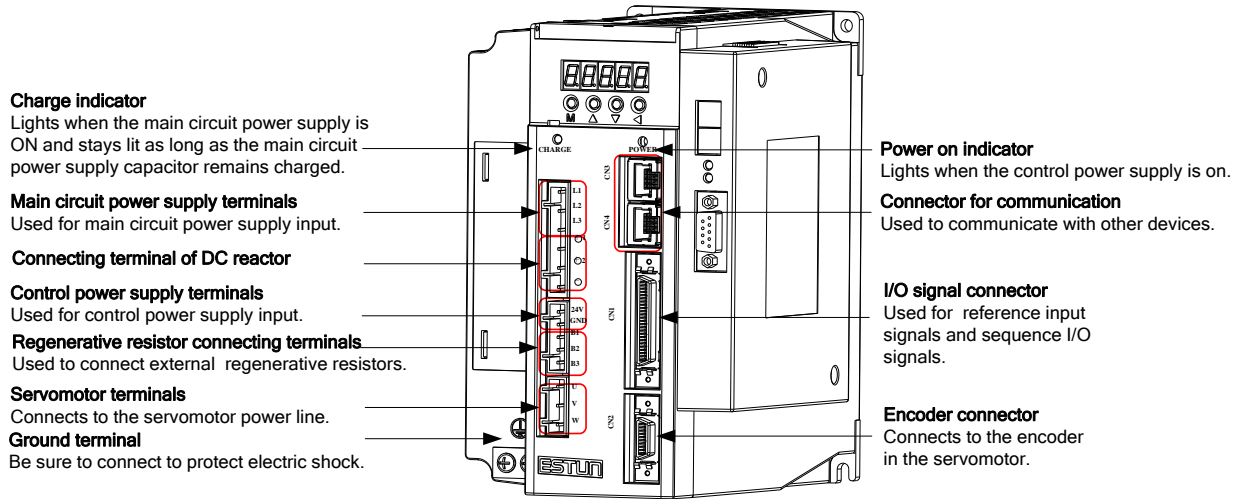
■ ProNet-08A/10A / ProNet-E-08A/10A



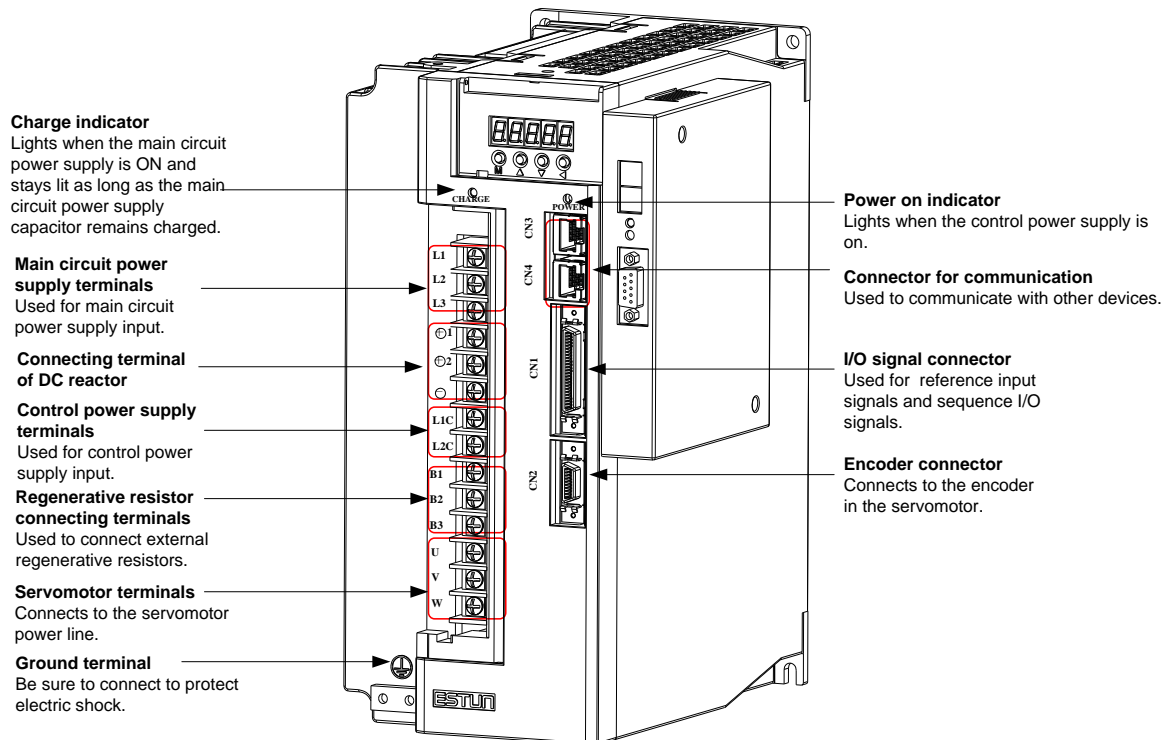
■ ProNet-15A/20A / ProNet-E-15A/20A



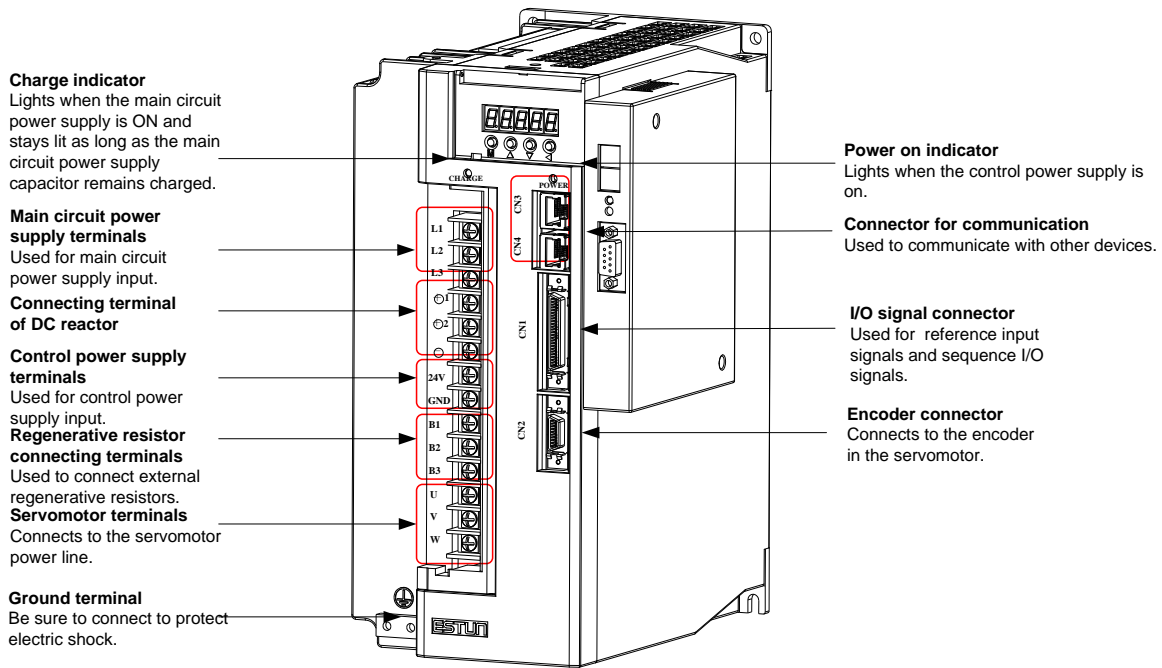
■ ProNet-10D/15D/20D/ProNet-E-10D/15D/20D



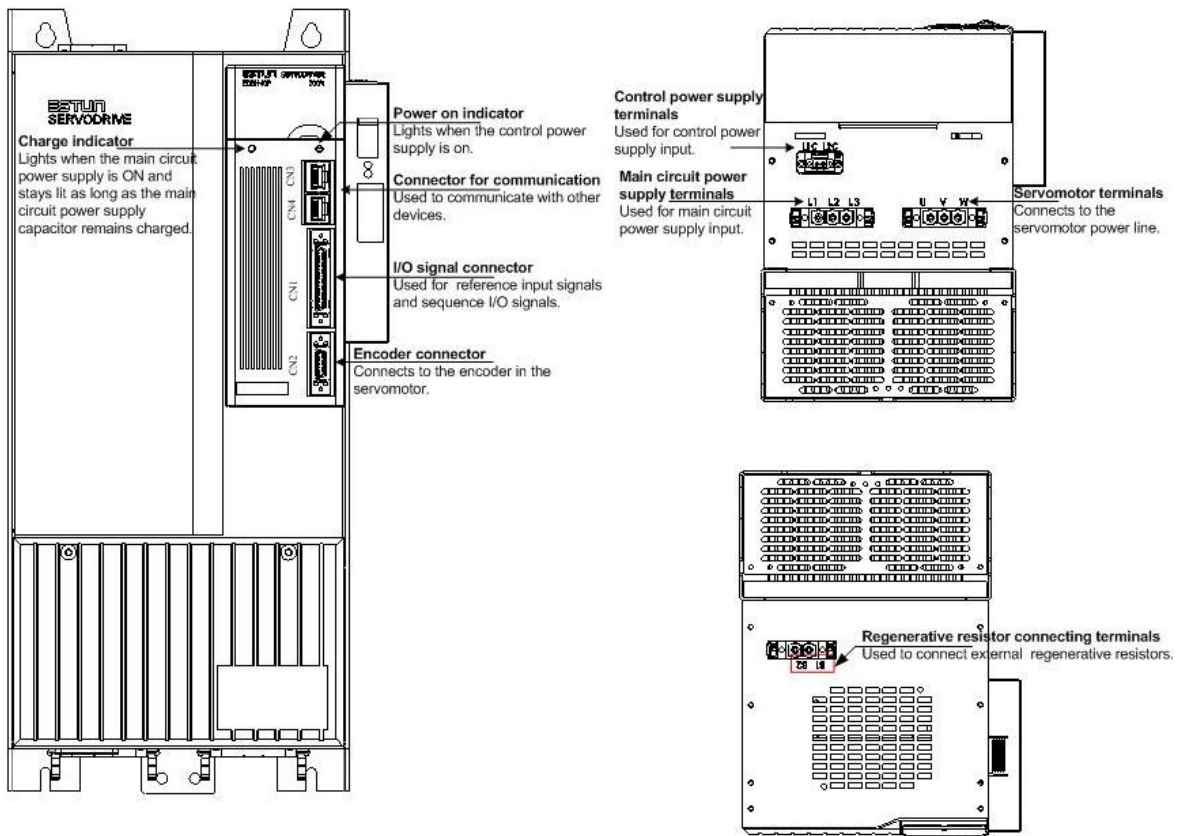
■ ProNet-30A/50A/ ProNet-E-30A/50A



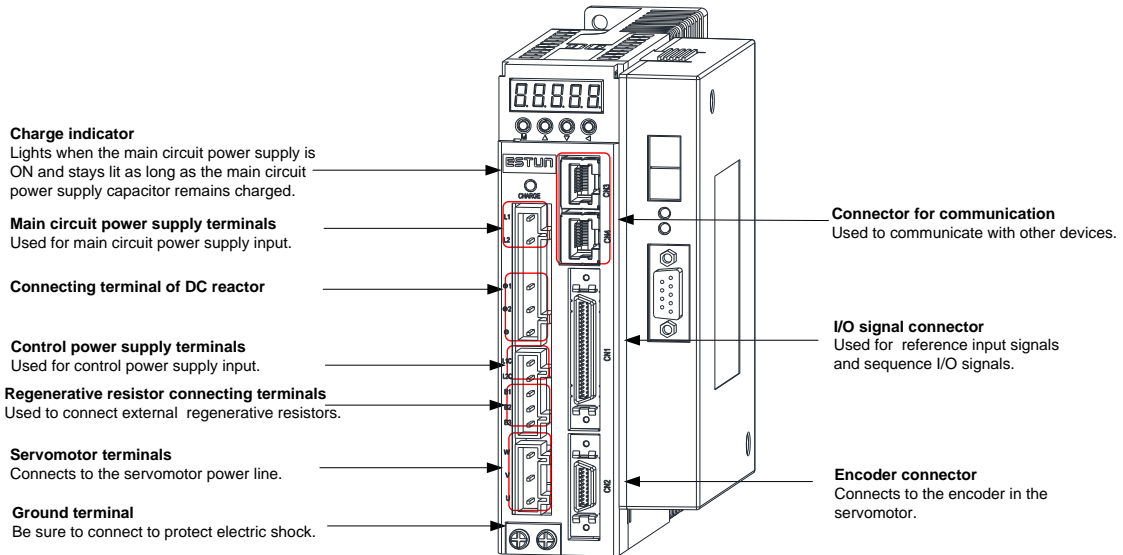
■ ProNet-30D/50D/70D/75D/ ProNet-E-30D/50D



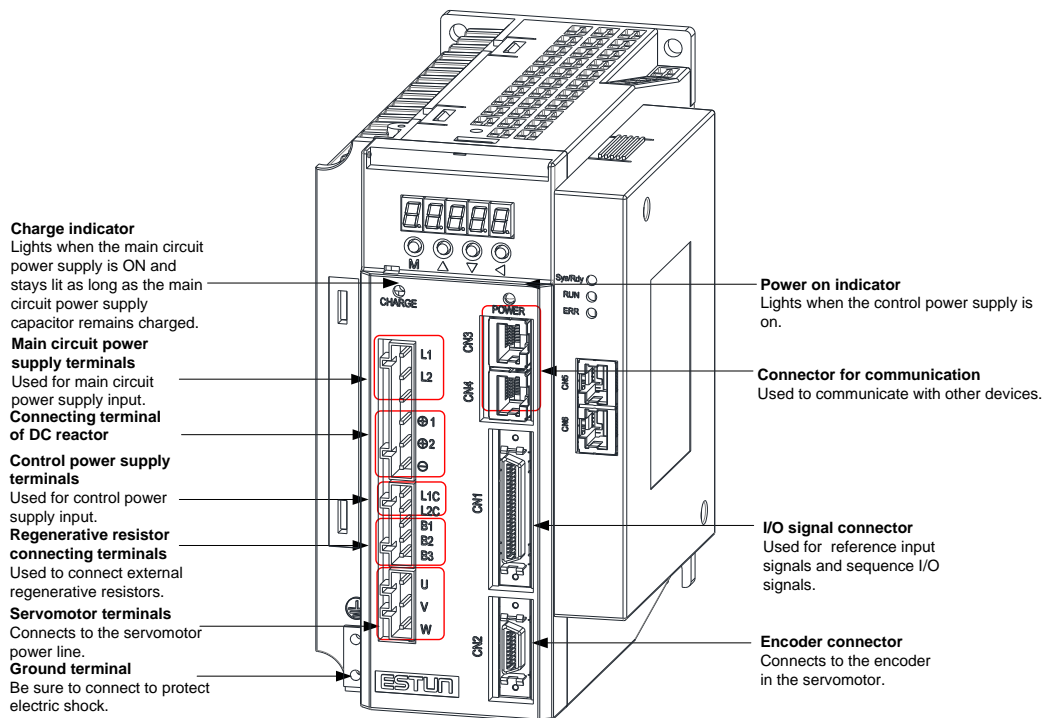
■ ProNet-1AD/1ED/2BD



■ ProNet-02B/ProNet-E-02B



■ ProNet-04B/ProNet-E-04B





■ ProNet-08B /ProNet-E-08B

**Charge indicator**  
Lights when the main circuit power supply is ON and stays lit as long as the main circuit power supply capacitor remains charged.

**Main circuit power supply terminals**

Used for main circuit power supply input.

**Connecting terminal of DC reactor**

**Control power supply terminals**

Used for control power supply input.

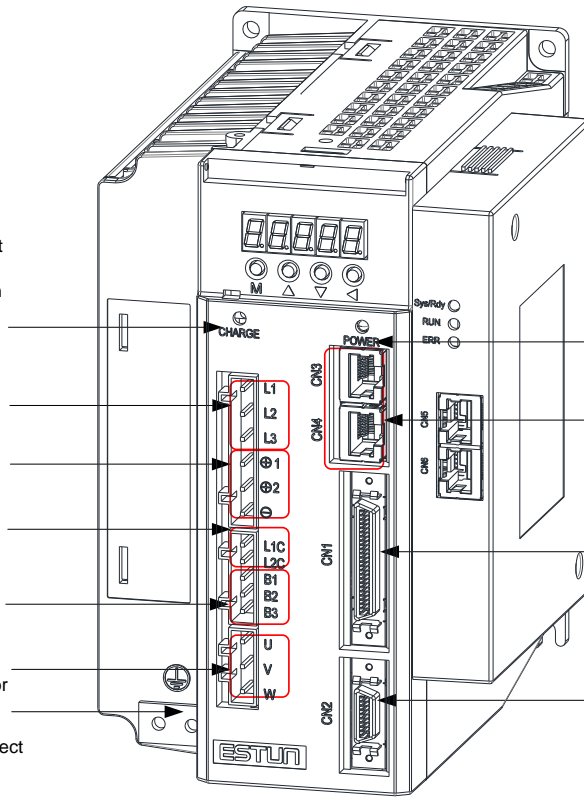
**Regenerative resistor connecting terminals**

Used to connect external regenerative resistors.

**Servomotor terminals**

Connects to the servomotor power line.

**Ground terminal**  
Be sure to connect to protect electric shock.



**Power on indicator**

Lights when the control power supply is on.

**Connector for communication**

Used to communicate with other devices.

**I/O signal connector**

Used for reference input signals and sequence I/O signals.

**Encoder connector**

Connects to the encoder in the servomotor.

## Chapter 2

# Installation

### 2.1 Servomotor

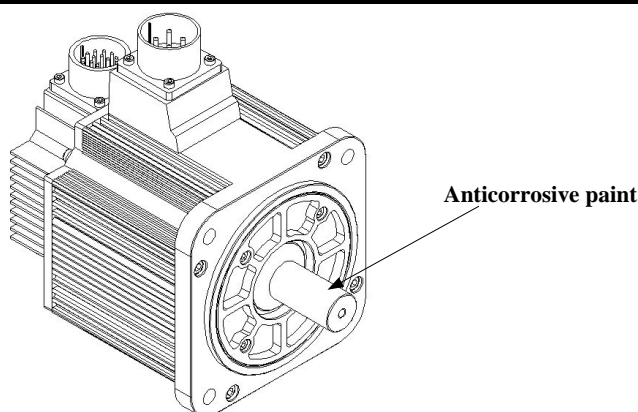
Servomotor can be installed either horizontally or vertically. However, if the servomotor is installed incorrectly, the service life of the servomotor will be shortened or unexpected problems may occur.

Please observe the installation instructions described below to install the servomotor correctly.

**Before installation:**

Anticorrosive paint is coated on the edge of the servomotor shaft. Clean off the anticorrosive paint thoroughly using a cloth moistened with thinner.

Avoid getting thinner on other parts of the servomotor when cleaning the shaft.



#### 2.1.1 Storage

When the servomotor is not being used, store it in an area with a temperature between  $-25^{\circ}\text{C}$  and  $60^{\circ}\text{C}$  with the power cable disconnected.

#### 2.1.2 Installation Sites

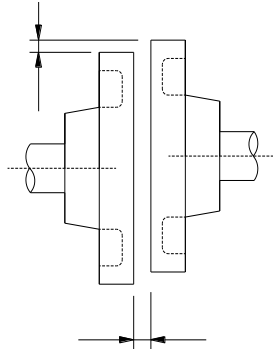
The servomotor is designed for indoor use. Install the servomotor in an environment which meets the following conditions.

- Free from corrosive and explosive gases.
- Well-ventilated and free from dust and moisture.
- Ambient temperature from  $0$  to  $40^{\circ}\text{C}$ .
- Relative humidity from 26% to 80% (non-condensing).
- Facilitates inspection and cleaning.

### 2.1.3 Installation Alignment

Align the shaft of the servomotor with that of the machinery shaft to be controlled. Then connect the two shafts with an elastic coupling.

Install the servomotor so that alignment accuracy falls within the range shown below.



Measure this distance at four different positions in the circumference. The difference between the maximum and minimum measurements must be 0.03mm or less. (Turn together with couplings.)

---

**Note:**

- If the alignment accuracy is incorrect, vibration will occur, resulting in damage to the bearings.
  - Mechanical shock to the shaft end is forbidden, otherwise it may result in damage to the encoder of the servomotor.
- 

### 2.1.4 Installation Orientation

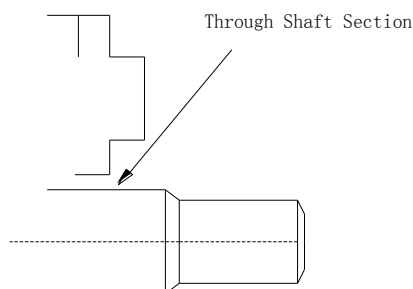
Servomotor can be installed either horizontally or vertically.

### 2.1.5 Handling Oil and Water

If the servomotor is used in a location that is subject to water or oil drops, make sure of the servomotor protective specification. If the servomotor is required to meet the protective specification to the through shaft section by default, use a servomotor with an oil seal.

**Through shaft section:**

It refers to the gap where the shaft protrudes from the end of the servomotor.

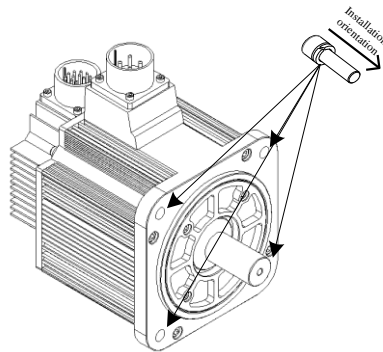


## 2.1.6 Cable Tension

When connecting the cables, the bending radius should not be too small, do not bend or apply tension to cables. Since the conductor of a signal cable is very thin (0.2 mm or 0.3 mm), handle it with adequate care.

## 2.1.7 Install to the Client

When the servo motor is mounted to the client, please firmly secure the servo motor by the screws with backing ring as shown in the figure.



## 2.2 Servo Drive

ProNet series servo drive is a base-mounted type. Incorrect installation will cause problems. Always observe the installation instructions described below.

### 2.2.1 Storage

When the servomotor is not being used, store it in an area with a temperature between  $-25^{\circ}\text{C}$  and  $85^{\circ}\text{C}$  with the power cable disconnected.

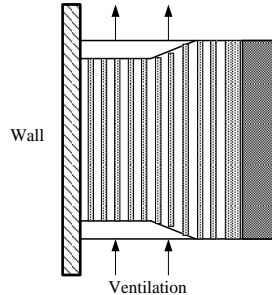
### 2.2.2 Installation Sites

Notes on installation are shown below.

Situation	Notes on installation
When installed in a control panel	Design the control panel size, unit layout, and cooling method so that the temperature around the periphery of the servo drive does not exceed $55^{\circ}\text{C}$ .
When installed near a heating unit	Suppress radiation heat from the heating unit and a temperature rise caused by convection so that the temperature around the periphery of the servo drive does not exceed $55^{\circ}\text{C}$ .
When installed near a source of vibration	Install a vibration isolator underneath the servo drive to prevent it from receiving vibration.
When installed in a location subject to corrosive gases	Take appropriate action to prevent corrosive gases. Corrosive gases do not immediately affect the servo drive, but will eventually cause contactor-related devices to malfunction.
Others	Avoid installation in a hot and humid site or where excessive dust or iron powder is present in the air.

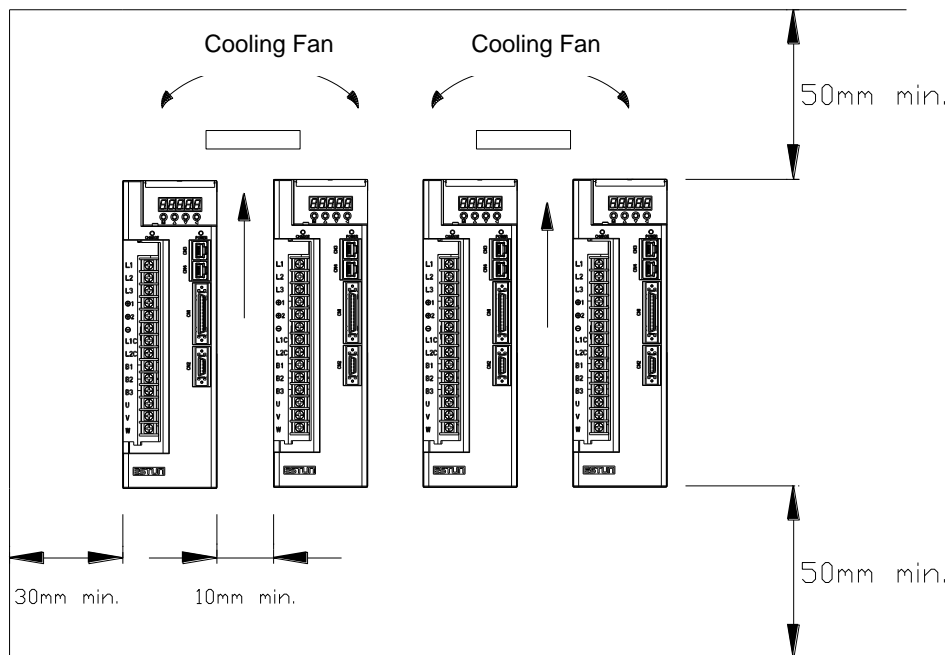
## 2.2.3 Installation Orientation

Install the servo drive perpendicular to the wall as shown in the figure. The servo drive must be oriented this way because it is designed to be cooled by natural convection or a cooling fan if required. Firmly secure the servo drive through two mounting holes.



## 2.2.4 Installation Method

When installing multiple servo drives side by side in a control panel, observe the following installation method.



### ■ Installation Orientation

Install servo drive perpendicular to the wall so that the front panel (containing connectors) faces outward.

### ■ Cooling

Provide sufficient space around each servo drive to allow cooling by natural convection or fans.

### ■ Installing side by side

When installing servo drives side by side, provide at least 10mm space between each individual servo drive and at least 50mm space above and below each one as well as shown in the figure above. Ensure the temperature inside the control panel is evenly distributed, and prevent the temperature around each servo drive from increasing excessively.

Install cooling fans above the servo drives if necessary.

■ **Working conditions**


1. Temperature: 0~ 55°C
2. Humidity: 5%~95%RH
3. Vibration: 4.9m/s<sup>2</sup> or less
4. Ambient temperature to ensure long-term reliability: 45°C or less
5. Condensation and Freezing: None

# Chapter 3


## Wiring

### 3.1 Main Circuit Wiring

Please observe the following instructions while wiring the main circuit.

 CAUTION	
<ul style="list-style-type: none"> <li>Do not bundle or run power and signal lines together in the same duct. Keep power and signal lines separated by at least 300 mm.</li> <li>Use twisted-pair shielded wires or multi-core twisted-pair shielded wires for signal and encoder feedback lines.</li> <li>The maximum length is 3 m for reference input lines and 20 m for encoder feedback lines.</li> <li>Do not touch the power terminals for 5 minutes after turning power OFF because high voltage may still remain in the servo drive.</li> </ul>	

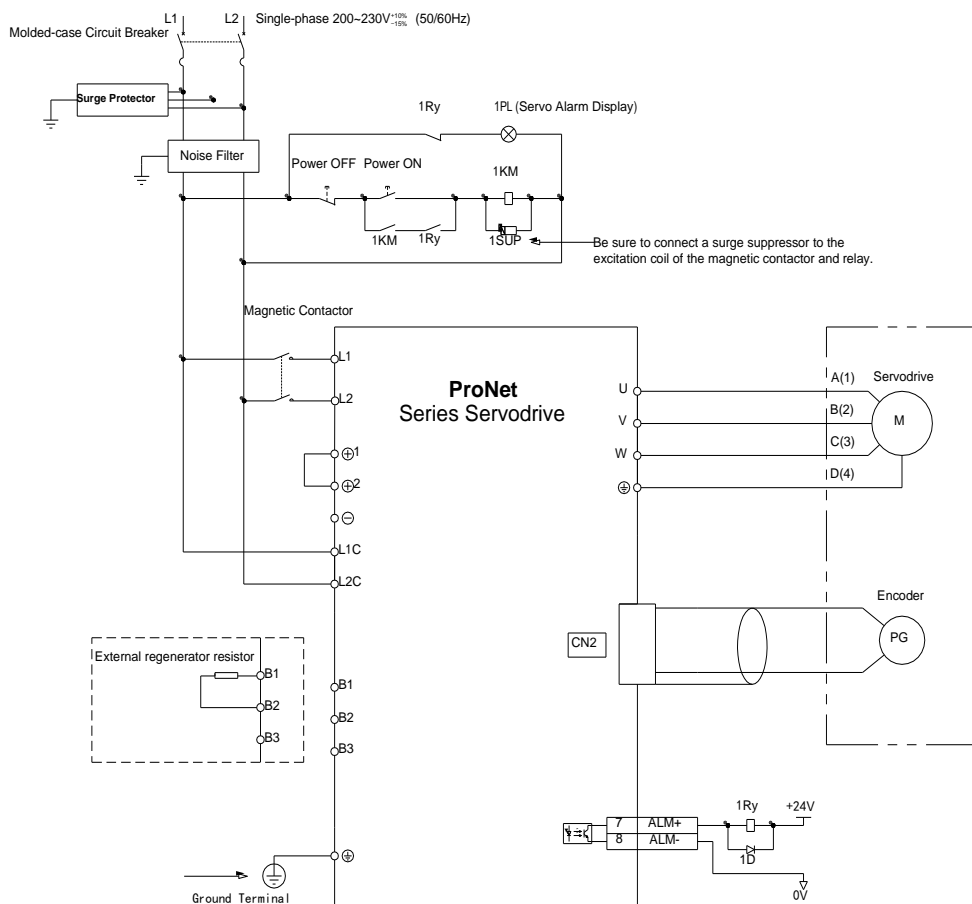
#### 3.1.1 Names and Functions of Main Circuit Terminals

Terminal Symbol	Name	Main Circuit Voltage(V)	Servo Drive Model ProNet-	Servo Drive Model Pronet-E-	Functions
L1,L2,L3	Main circuit power supply input terminal	100	02B-08B	02B-08B	Single-phase 100~120VAC +10%~-15% (50/60Hz)
		200	A5A-04A	A5A-04A	Single-phase 200~230VAC +10%~-15% (50/60Hz)
		200	08A-50A	08A-50A	Three-phase 200~230VAC +10%~-15% (50/60Hz)
		400	10D-2BD	10D-50D	Three-phase 380~440VAC +10%~-15% (50/60Hz)
FG	FG	200	A5A-04A	A5A-04A	Normally not connected.
U,V,W	Servomotor connection terminals	—	—	—	Connect to the servomotor.
L1C,L2C	Control circuit power supply input terminal	100	02B-08B	02B-08B	Single-phase 100~120VAC +10%~-15% (50/60Hz)
		200	A5A -50A	A5A -50A	Single-phase 200~230VAC +10%~-15% (50/60Hz)
		400	75D-2BD	—	Single-phase 380~440VAC +10%~-15% (50/60Hz)
10D-70D	10D-50D		24VDC +10%~-10%		
24V,GND					
	Ground terminals	—	—	—	Connects to the power supply ground terminals and servomotor ground terminal.
B1,B2,B3	External regenerative resistor	100	02B	02B	Connect an external regenerative resistor(provided by customer) between B1 and B2.
		200	A5A -04A	A5A -04A	
		100	04B-08B	04B-08B	If using an internal regenerative resistor, please short

Terminal Symbol	Name	Main Circuit Voltage(V)	Servo Drive Model ProNet-	Servo Drive Model Pronet-E-	Functions
	connection terminal	200	08A-50A	08A-50A	B2 and B3. Remove the wire between B2 and B3 and connect an external regenerative resistor(provided by customer) between B1 and B2, if the capacity of the internal regenerative resistor is insufficient.
		400	10D-75D	10D-50D	
B1,B2			1AD-2BD	—	Connect an external regenerative resistor between B1 and B2.
⊕1,⊕2	DC reactor for harmonic suppression terminal	200	A5A-50A	A5A-50A	Normally short ⊕1and ⊕2. If a countermeasure against power supply harmonic waves is needed, connect a DC reactor between ⊕1and ⊕2.
		400	10D-75D	10D-50D	
⊖	Main circuit minus terminal	200	A5A-50A	A5A-50A	Normally not connected.
		400	10D-75D	10D-50D	

### 3.1.2 Typical Main Circuit Wiring Examples

#### ■ Single-phase 200V ProNet-A5A~04A/ Single-phase 200V ProNet-E-A5A~04A



**Note**

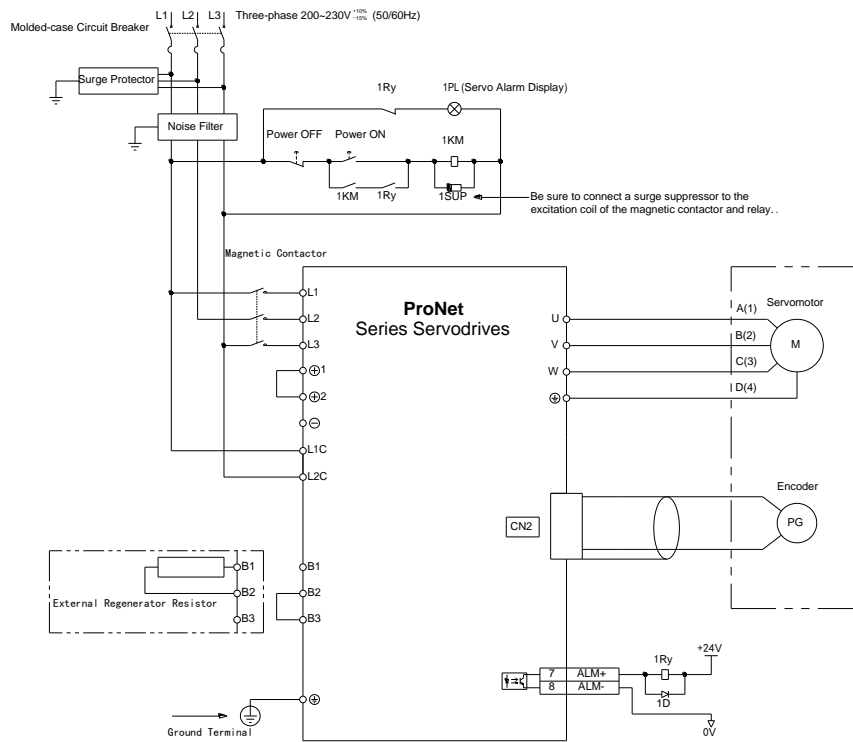
- 1.The L1,L2,L3 and L1C,L2C terminals wiring method of ProNet-A5A~04A/ProNet-E-A5A~04A servo drives is different from other ProNet series servo drives. Please note the specific terminal definition while wiring.
- 2.The main circuit power supply of ProNet-A5A~04A/ProNet-E-A5A~04A is Single-phase 200V.
3. External regenerative resistor for ProNet-A5A~04A/ProNet-E-A5A~04A is provided by customer, the model of



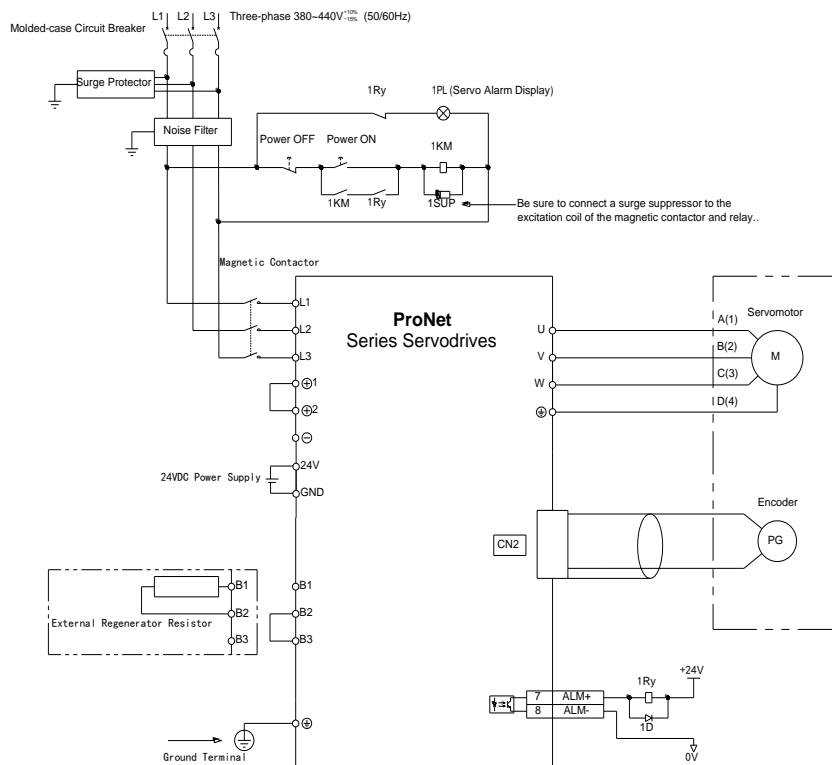
60W, 50 Ω resistor is recommended.

4. Change Pn521.0 from "1" to "0" when using the external regenerative resistor in ProNet-A5A~04A/ProNet-E-A5A~04A servo drives.

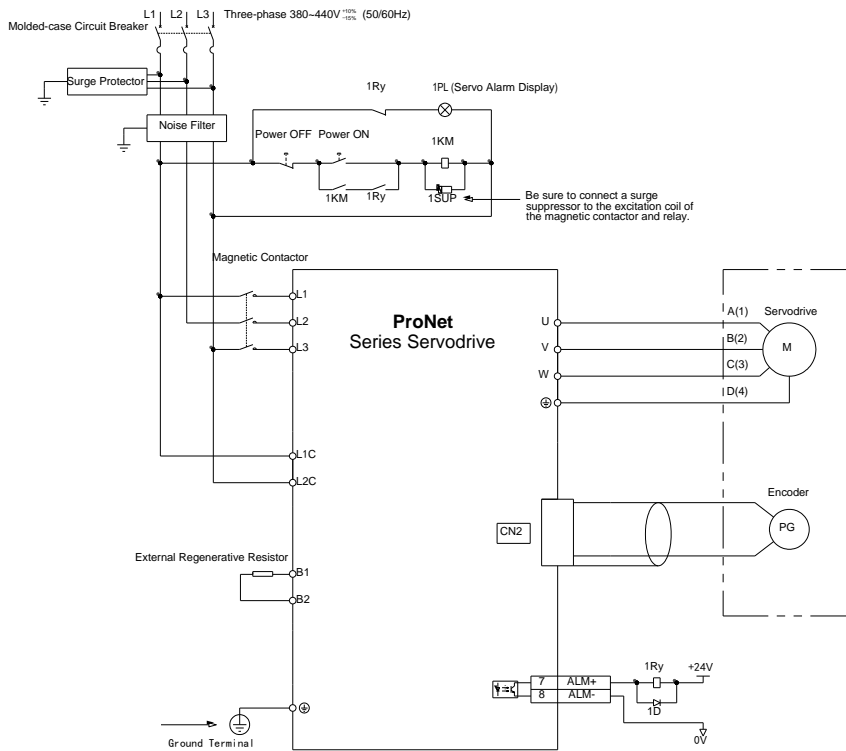
■ . Three-phase 200V ProNet-08A~50A/ Three-phase 200V ProNet-E-08A~50A



■ Three-phase 400V ProNet-10D~70D/ Three-phase 400V ProNet-E-10D~50D



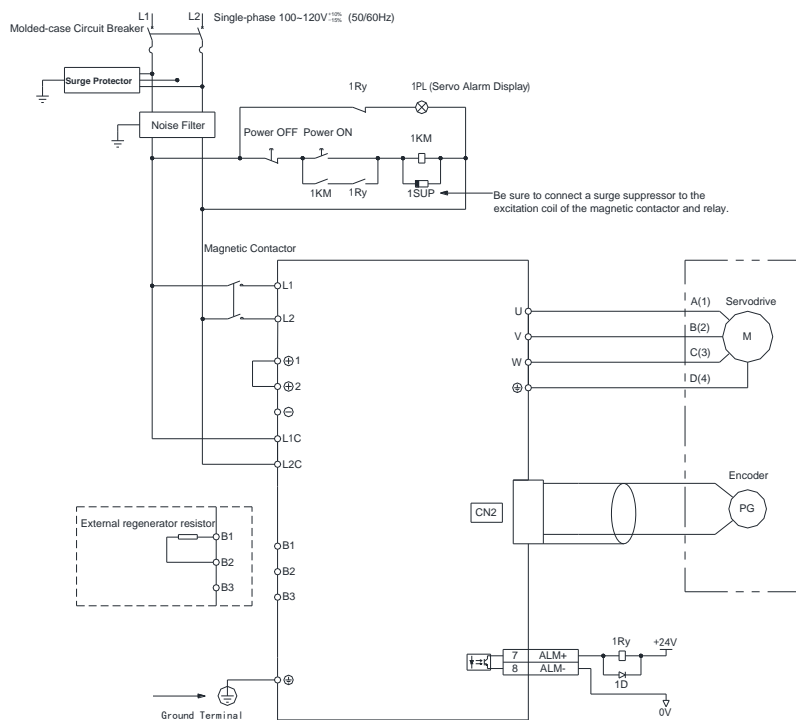
■ Three-phase 400V ProNet-75D~2BD



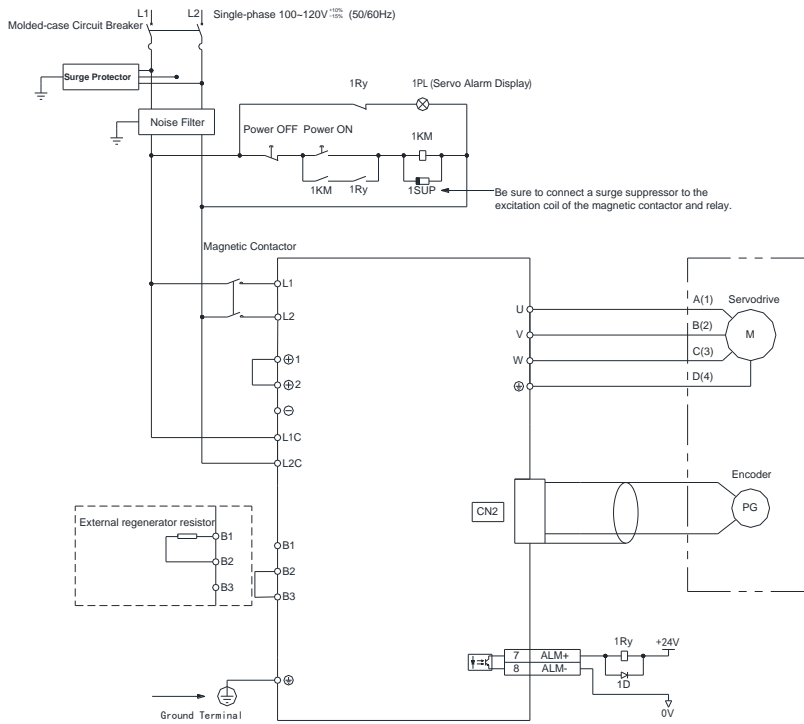
Notes:

1. A resistor value of 1500W/20Ω is recommended for the external regenerative resistor of ProNet-1AD.
2. A resistor value of 1500W/15Ω is recommended for the external regenerative resistor of ProNet-1ED.
3. A resistor value of 1500W/20Ω is recommended for the external regenerative resistor of ProNet-2BD.

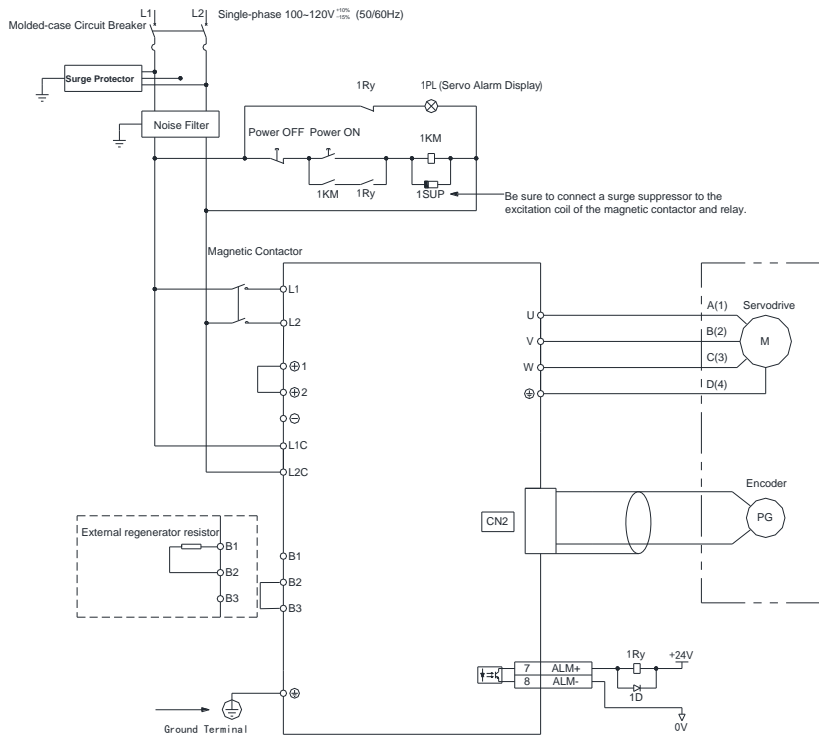
■ Single-phase 100V ProNet-02B /Single-phase 100V ProNet-E-02B



■ Single-phase 100V ProNet-04B /Single-phase 100V ProNet-E-04B



■ Single-phase 100V ProNet-08B /Single-phase 100V ProNet-E-08B



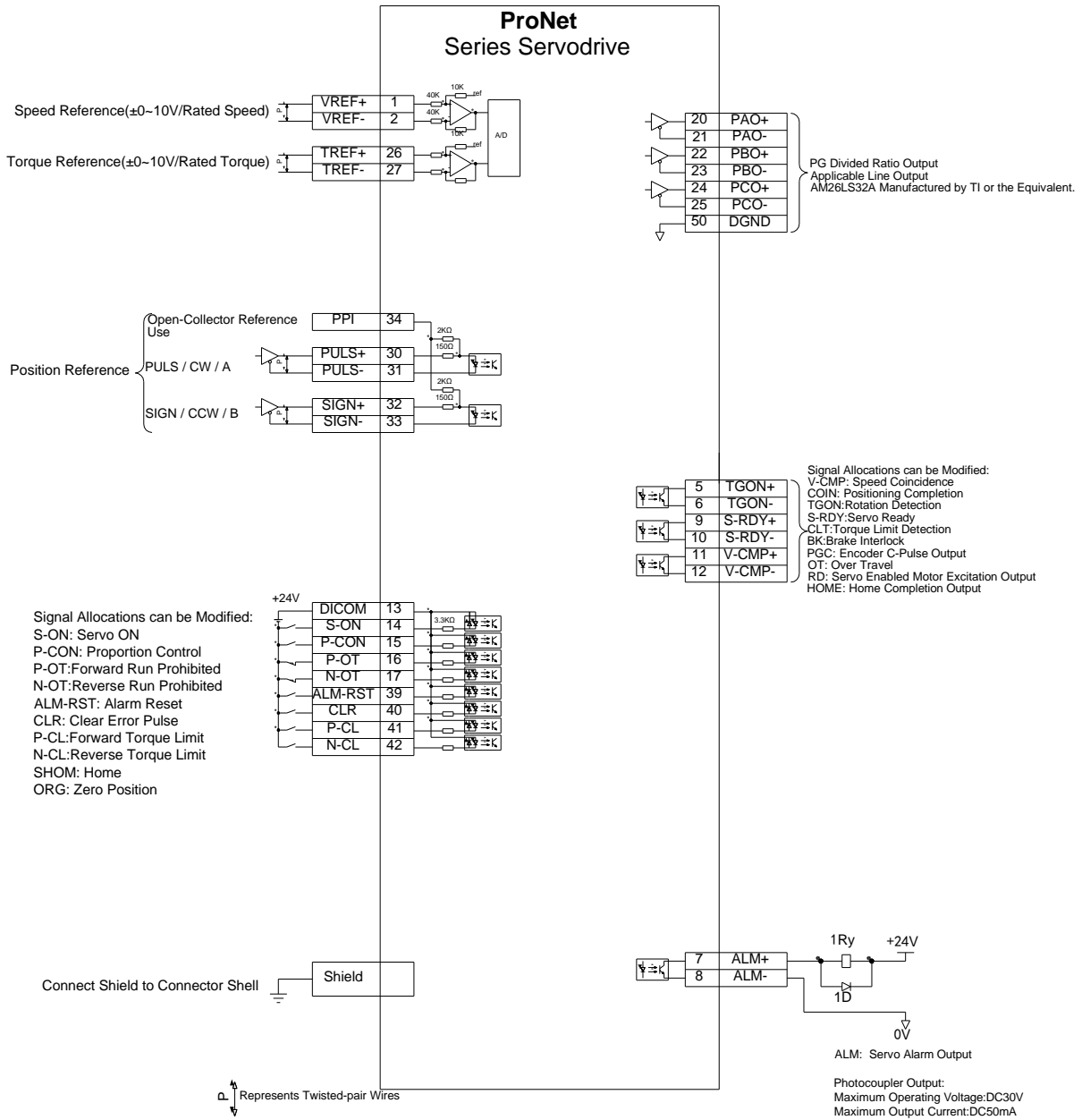
Notes:

When single-phase 100VAC is provided for main circuit on rated speed, instantaneous peak torque  $\leq 4.78$  N.m.

When three-phase 100VAC is provided for main circuit on rated speed, instantaneous peak torque  $\leq 7.16$  N.m.

## 3.2 I/O Signals

### 3.2.1 Examples of I/O Signal Connections



### 3.2.2 I/O Signal Names and Functions

#### ■ Input Signals

Control Mode	Signal Name	Pin No.	Function	
Speed Position Torque	/S-ON	14	Servo ON: Turns the servomotor on.	
	/P-CON	15	Function selected by parameter.	
			Proportional control reference	Switches the speed control loop from PI to P control when ON.
			Direction reference	With the internally set speed selection: Switch the rotation direction.
			Control mode switching	Enables control mode switching.
			Zero-clamp reference	Speed control with zero-clamp function: Reference speed is zero when ON.
			Reference pulse block	Position control with reference pulse: Stops reference pulse input when ON.
	P-OT N-OT	16 17	Forward run prohibited Reverse run prohibited	Overtravel prohibited: Stops servomotor when OFF.
	/PCL /NCL	41 42	Function selected by parameter.	
			Forward external torque limit ON Reverse external torque limit ON	Current limit function enabled when ON.
			Internal speed switching	With the internally set speed selection: Switches the internal speed settings.
/ALM-RST	39	Alarm reset: Releases the servo alarm state.		
DICOM	13	Control power supply input for I/O signals: Provide the +24V DC power supply		
Speed	VREF+	1	Speed reference input: ±10V.	
	VREF-	2		
Position	PULS+	30	Pulse reference input mode: Sign + pulse train CCW + CW pulse Two-phase pulse (90° phase differential)	
	PULS-	31		
	SIGN+	32		
	SIGN-	33		
	PPI	34	Power supply input for open collector reference (2KΩ/0.5W resistor is built into the servo drive).	
	/CLR	40	Positional error pulse clear input: Clear the positional error pulse during position control.	
	SHOM	-	Homing trigger signal(effective at the rising edge),allocated by Pn509 or Pn510	
	ORG	-	Zero Position(effective at high level), allocated by Pn509 or Pn510	
Torque	T-REF+	26	Torque reference input: ±10V.	
	T-REF-	27		

■ Output signals

Control Mode	Signal Name	Pin No.	Function	
Speed Position Torque	/TGON+	5	Detects when the servomotor is rotating at a speed higher than the motor speed setting.	
	/TGON-	6		
	ALM+	7	Servo alarm: Turns off when an error is detected.	
	ALM-	8		
	/S-RDY+	9	Servo ready: ON if there is no servo alarm when the control/main circuit power supply is turned ON.	
	/S-RDY-	10		
	PAO+	20	Phase-A signal	Converted two-phase pulse(phases A and B) encoder output.
	PAO-	21		
	PBO+	22	Phase-B signal	
	PBO-	23		
	PCO+	24	Phase-C signal	Zero-point pulse(Phase-C) signal
PCO-	25			
	FG	Shell	Connect frame to ground if the shield wire of the I/O signal cable is connected to the connector shell.	
Speed	/V-CMP+	11	Speed coincidence: Detects whether the motor speed is within the setting range and if it matches the reference speed value.	
	/V-CMP-	12		
Position	/COIN+	11	Positioning completion: Turns ON when the number of positional error pulses reaches the value set. The setting is the number of positional error pulses set in the reference units.	
	/COIN-	12		
Reserved	/CLT	—	Reserved terminals: The functions allocated to /TGON, /S-RDY, and /V-CMP (/COIN) can be changed by using the parameters. /CLT: Torque limit output Turns on when it reaches the value set.	
	/BK		/BK: Brake interlock output Releases the brake when ON, /PGC: C pulse output OT: Over travel signal output /RD: Servo enabled motor excitation output /HOME: Home completion output	
	—	4,18,19,29,35 36,37,38,43 44,45,47,49	Not used.	

### 3.2.3 I/O Signal Connector (CN1) Terminal Layout

Terminal No.	Name	Function		Terminal No.	Name	Function
1	VREF+	Speed reference input:±10V		26	T-REF+	Torque reference input:±10V
2	VREF-			27	T-REF-	
3	DGND	DGND		28	DGND	DGND
4	—	Reserved		29	—	Reserved
5	/TGON+	Running signal output		30	PULS+	Reference pulse input
6	/TGON-			31	PULS-	
7	ALM+	Servo alarm		32	SIGN+	Reference sign input
8	ALM-			33	SIGN-	
9	/S-RDY+	Servo ready		34	PPI	Open collector reference power supply
10	/S-RDY-			35	—	Reserved
11	/COIN+	Positioning completion		36	—	Reserved
12	/COIN-			37	—	Reserved
13	DICOM	I/O signal power supply 24V DC		38	—	Reserved
14	/S-ON	Servo ON		39	/ALM-RST	Alarm reset
15	/P-CON	P/PI control input		40	/CLR	Position error pulse clear input
16	P-OT	Forward run prohibited		41	/PCL	Forward torque limit input
17	N-OT	Reverse run prohibited		42	/NCL	Reverse torque limit input
18	—	Reserved		43	—	Reserved
19	—	Reserved		44	—	Reserved
20	PAO+	PG dividing pulse output phase A	PG dividing pulse output	45	—	Reserved
21	PAO-			46	DGND	DGND
22	PBO+	PG dividing pulse output phase B		47	—	Reserved
23	PBO-		48	DGND	DGND	
24	PCO+	PG dividing pulse output phase C	Zero-point pulse	49	—	Reserved
25	PCO-			50	DGND	DGND

**Note:** The functions allocated to the following input and output signals can be changed by using the parameters.

- Input signals: /S-ON,/P-CON,P-OT,N-OT,/ALM-RST,/CLR,/PCL,/NCL,SHOM,ORG
- Output signals: /TGON,/S-RDY,/COIN,/HOME

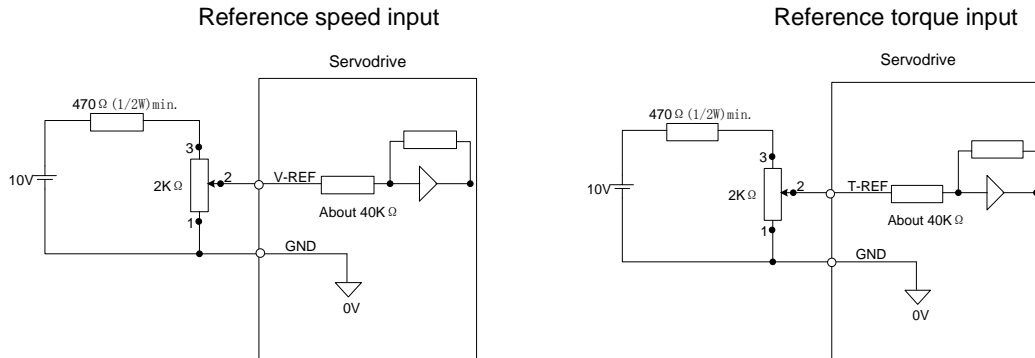
Please refer to **A.3 Parameters in details** for detailed information.

### 3.2.4 Interface Circuit

This section shows examples of servo drive I/O signal connection to the host controller.

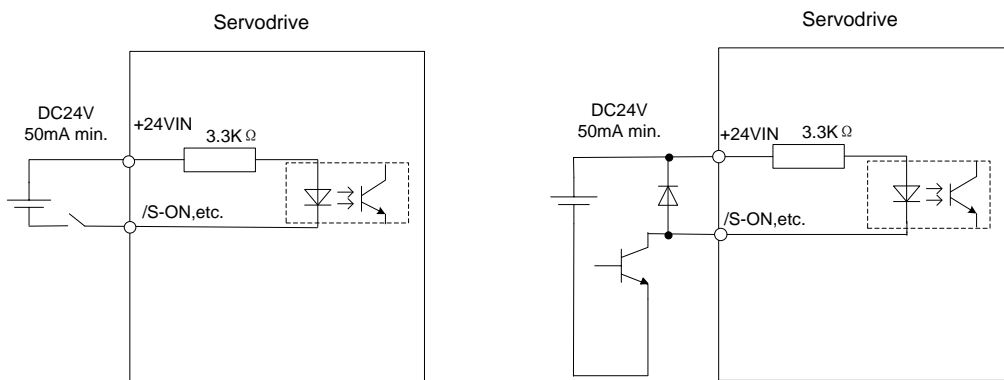
#### ■ Interface for Analog Reference Input Circuit

Analog signals are either speed or torque reference signals at about 40kΩ impedance, and the maximum allowable voltages for input signals is ±10V.



#### ■ Interface for Sequence Input Circuit

The sequence input circuit interface connects through a relay or open-collector transistor circuit. Select a low-current relay otherwise a faulty contact will result.



#### ■ Interface for Line Driver Output Circuit

The amount of two-phase (phase A and phase B) pulse output signals (PAO,/PAO,PBO,/PBO) and zero-point pulse signals (PCO,/PCO) are output via line-driver output circuits. Normally, the servo drive uses this output circuit in speed control to comprise the position control system at the host controller. Connect the line-driver output circuit through a line receiver circuit at the host controller.

#### ■ Interface for Sequence Output Circuit

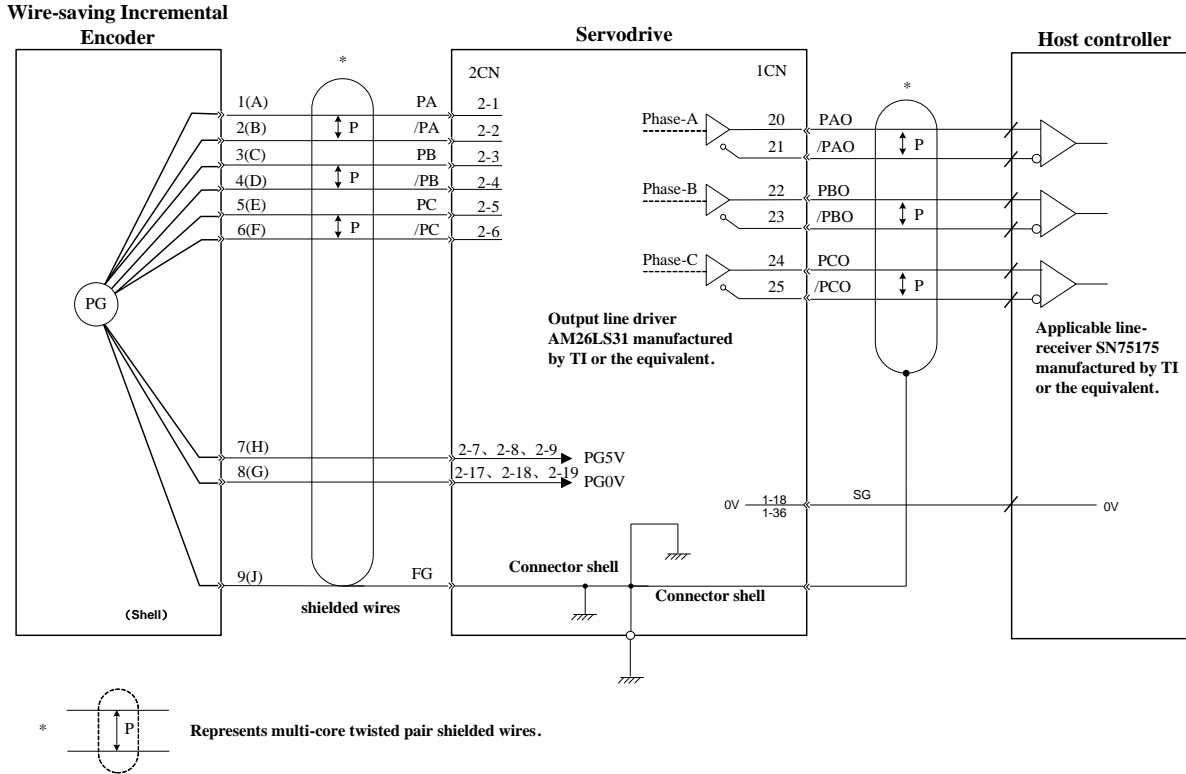
Photocoupler output circuits are used for Servo Alarm (ALM), Servo Ready(S-RDY), and other sequence output signal circuits. Connect a photocoupler output circuit through a relay circuit.



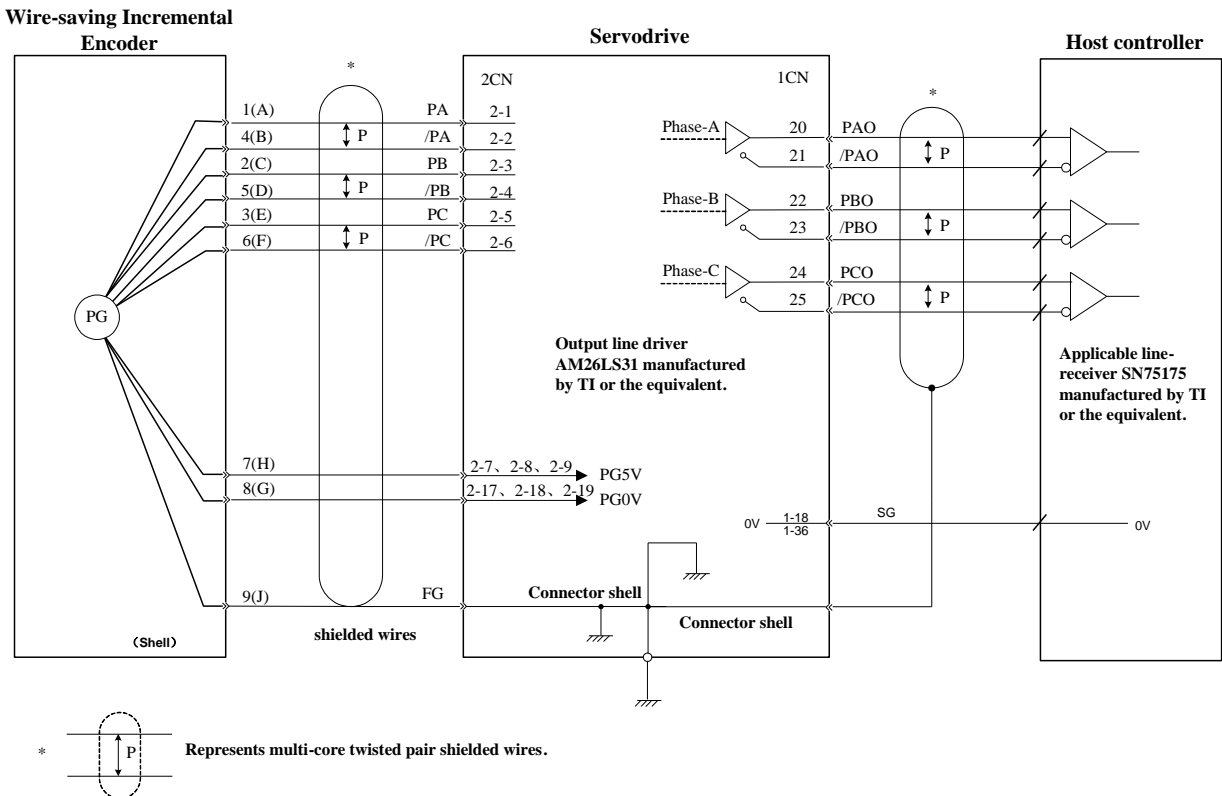
### 3.3 Wiring Encoders

#### 3.3.1 Connecting an Encoder(CN2)

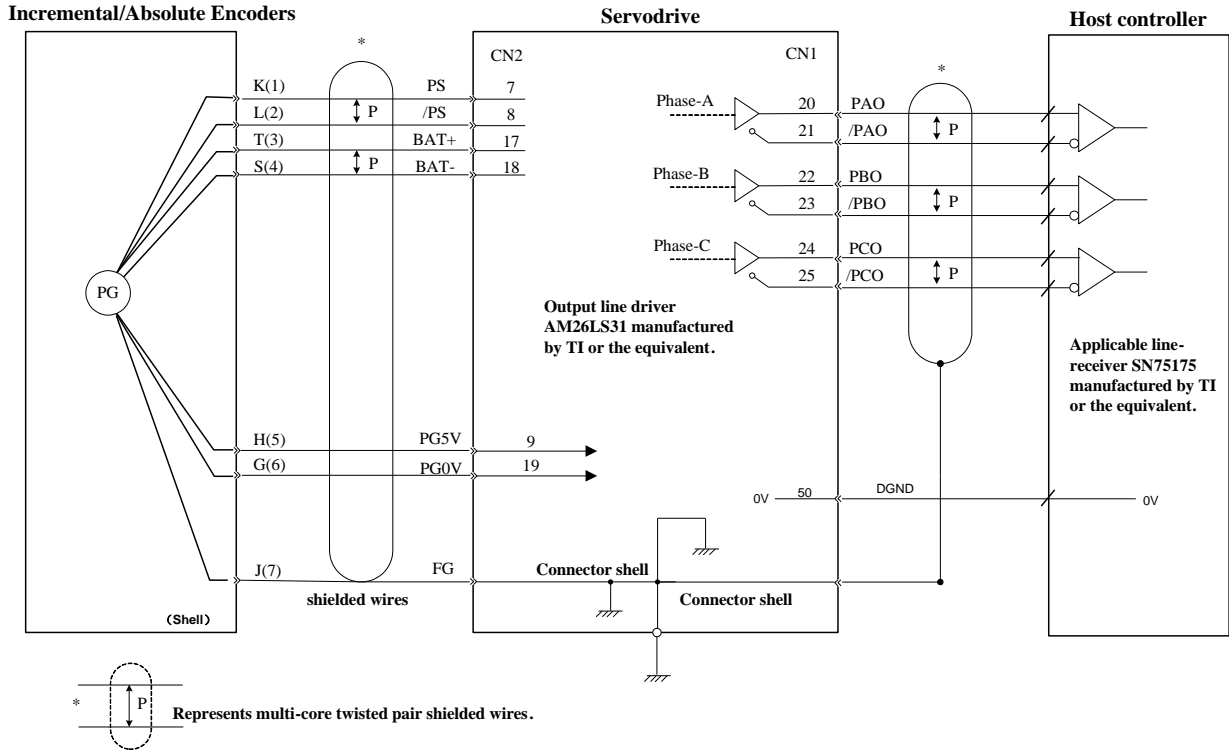
##### ■ Wire-saving Incremental Encoder (2500P/R) (Waterproof)



##### ■ Wire-saving Incremental Encoder (2500P/R) (Standard)

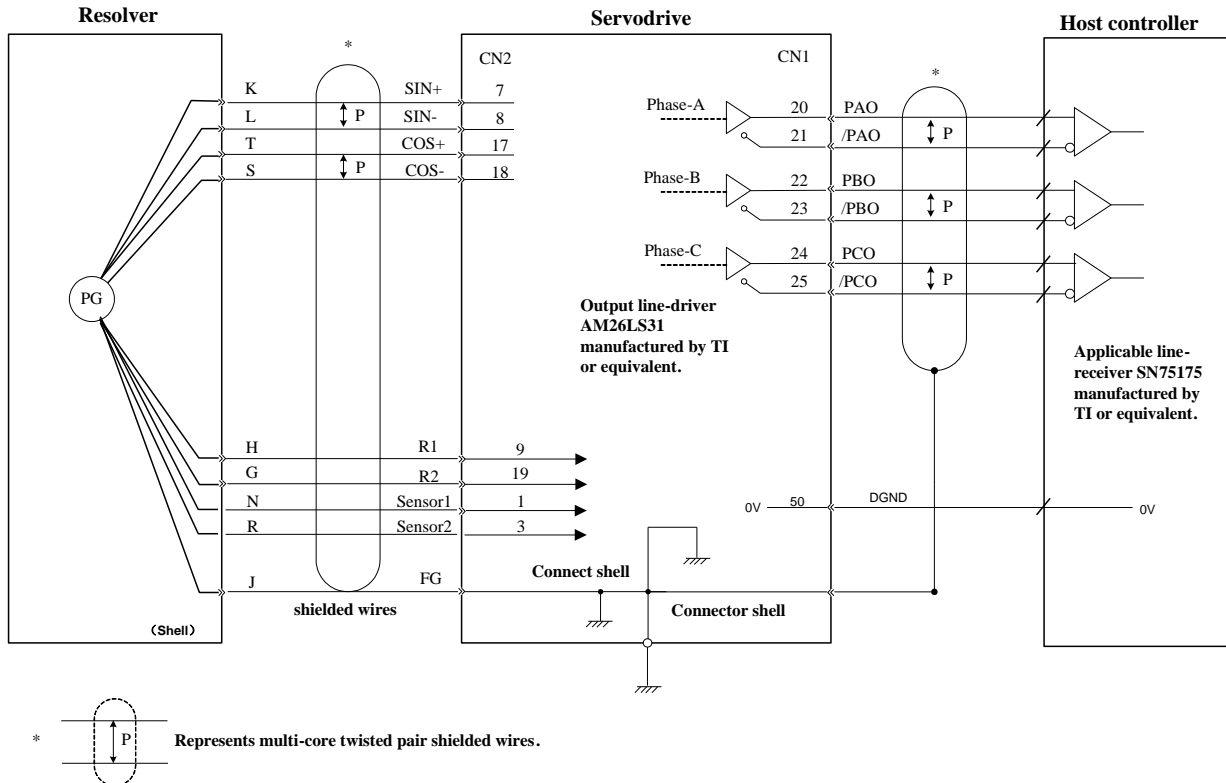


■ 17/20 bit Incremental/Absolute Encoders



Note: (1)BAT+ and BAT- signals are not used when using an incremental encoder.  
(2)The pin numbers for the connector wiring differ depending on the servomotors.

■ Resolver



### 3.3.2 Encoder Connector(CN2) Terminal Layout

■ Wire-saving Incremental Encoder (2500P/R)

Terminal No.	Name	Function	Terminal No.	Name	Function
1	PA	PG input phase A	5	PC	PG input phase B
2	/PA	PG input phase /A	6	/PC	PG input phase /B
3	PB	PG input phase B	7,8,9	PG5V	PG power supply +5V
4	/PB	PG input phase /B	17,18,19	SG	PG power supply 0V

■ 17/20 Bit Incremental/ Absolute Encoder

Terminal No.	Name	Function	Terminal No.	Name	Function
7	PS	PG serial signal input	17	BAT+	Battery(+) (For an absolute encoder)
8	/PS	PG serial signal input	18	BAT-	Battery(-) (For an absolute encoder)
9	PG5V	PG power supply +5V	19	GND	PG power supply 0V

■ Resolver

Terminal No.	Name	Function	Terminal No.	Name	Function
1	Sensor1	Temperature Sensor Signal	3	Sensor2	Temperature Sensor Signal
7	SIN+	Differential Sine Signal	17	COS+	Differential Cosine Signal
8	SIN-	Differential Sine Signal	18	COS-	Differential Cosine Signal
9	R1	Excitation signal	19	R2	Excitation Signal

## 3.4 Communication Connection

### 3.4.1 Communication Connector(CN3) Terminal Layout

Terminal No.	Name	Function
1	—	Reserved
2	—	
3	485+	RS-485 communication terminal
4	ISO_GND	Isolated ground
5	ISO_GND	
6	485-	RS-485 communication terminal
7	CANH	CAN communication terminal
8	CANL	CAN communication terminal

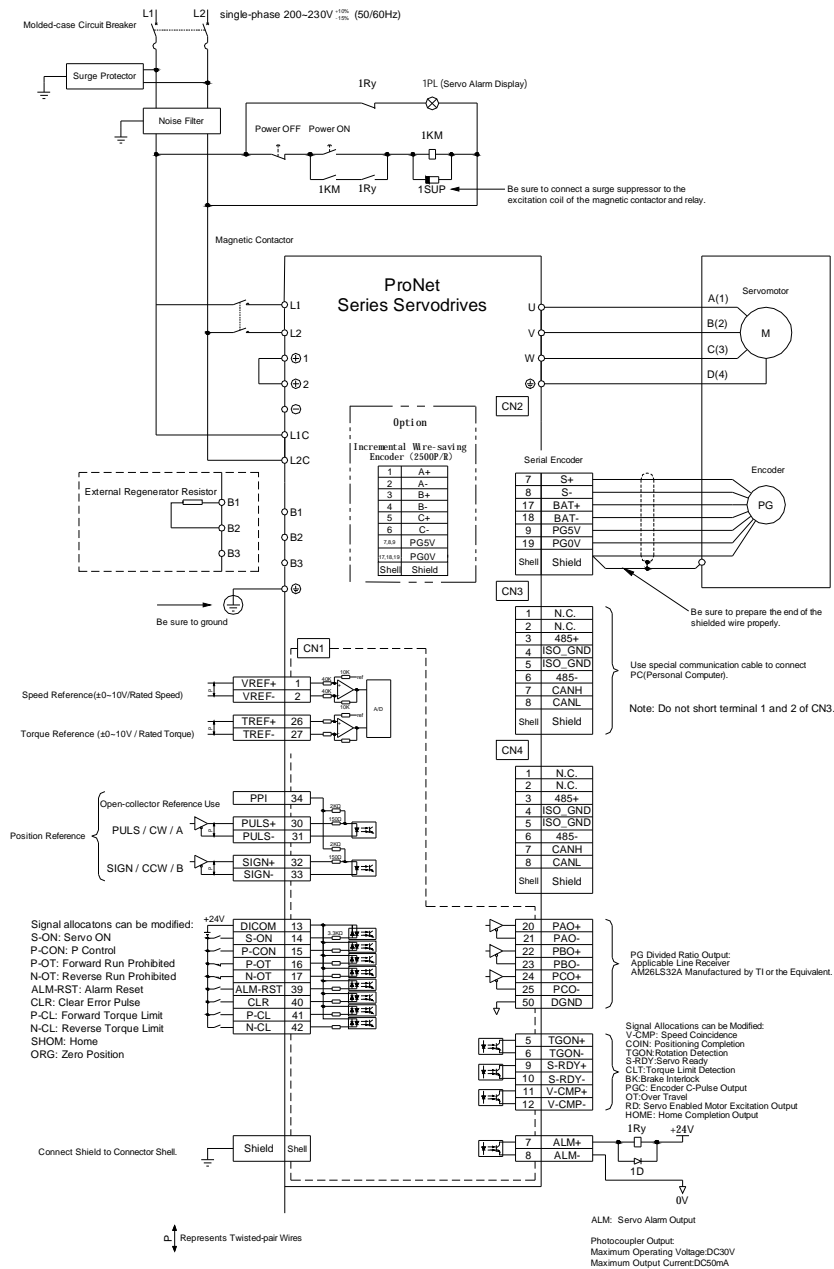
Note: Do not short terminal 1 and 2 of CN3.

### 3.4.2 Communication Connector(CN4) Terminal Layout

Terminal No.	Name	Function
1	—	Reserved
2	—	
3	485+	RS-485 communication terminal
4	ISO_GND	Isolated ground
5	ISO_GND	
6	485-	RS-485 communication terminal
7	CANH	CAN communication terminal
8	CANL	CAN communication terminal

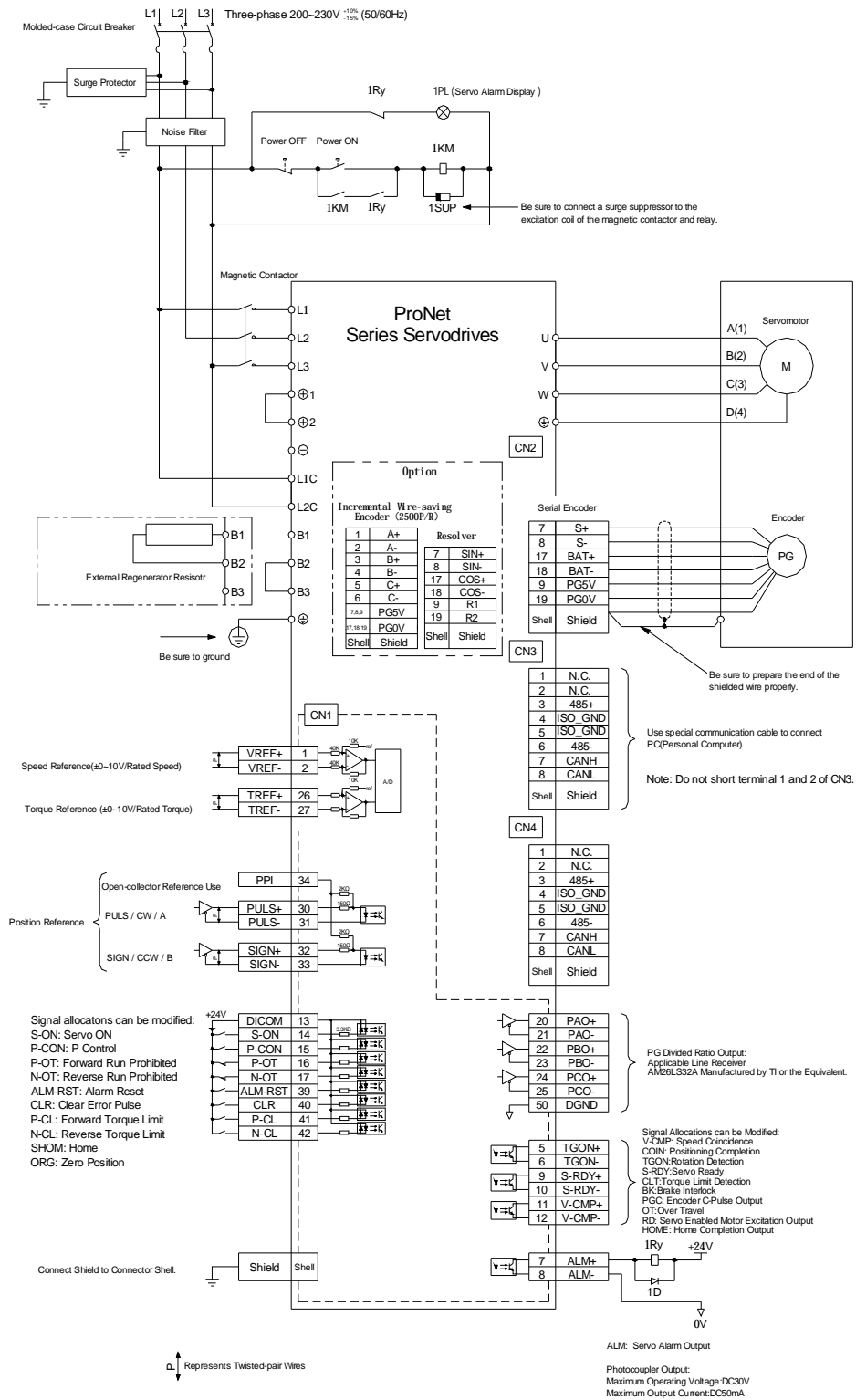
### 3.5 Standard Wiring Examples

#### 3.5.1 Single-phase 200V ProNet-A5A~04A/ProNet-E-A5A~04A

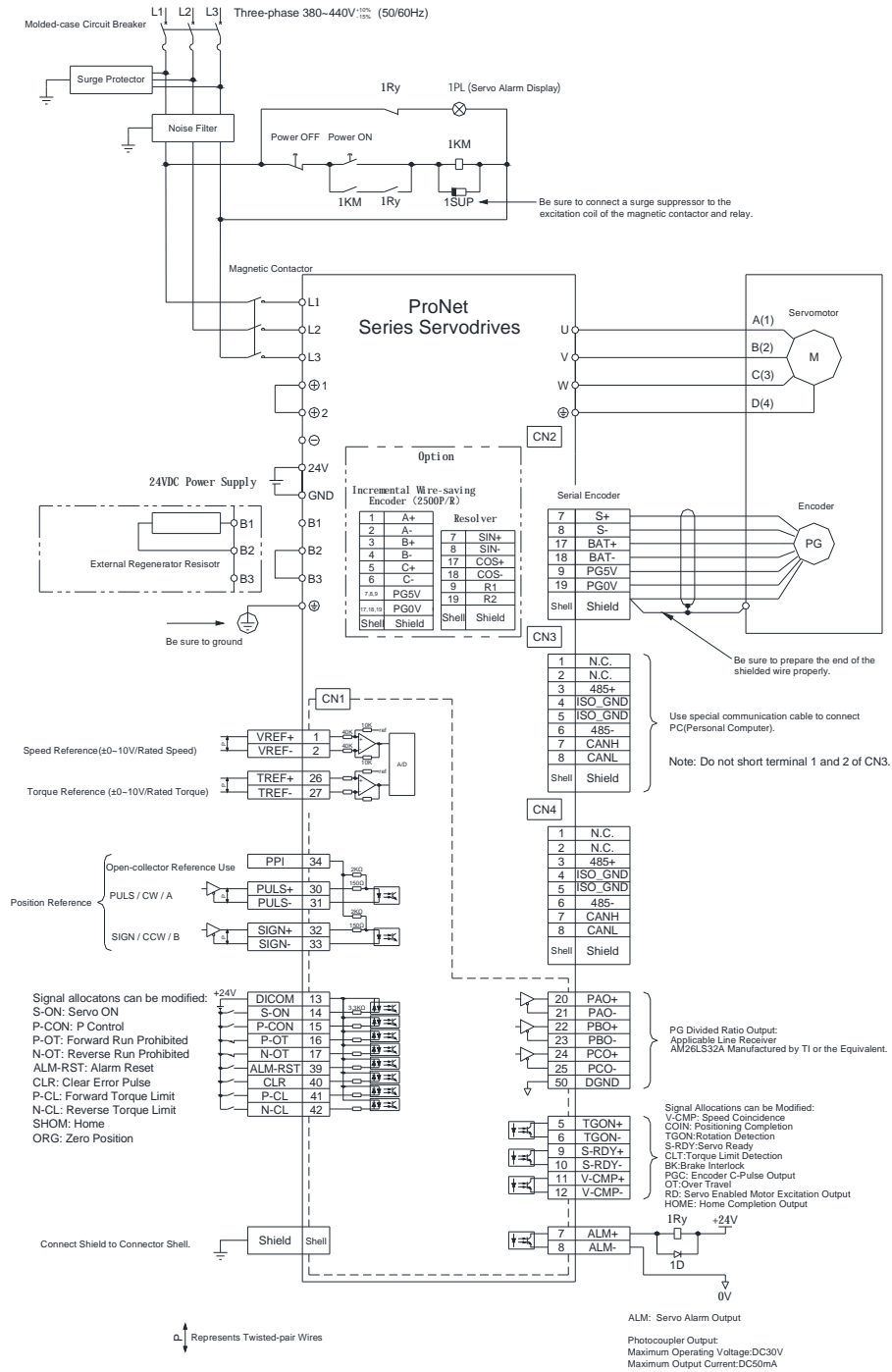


- Note 1. The L1, L2, L3 and L1C, L2C terminals wiring method of ProNet-A5A~04A/ProNet-E-A5A~04A servo drives is different from other ProNet series servo drives. Please note the specific terminal definition while wiring.
2. The main circuit power supply of ProNet-A5A~04A/ProNet-E-A5A~04A is Single-phase 200V.
3. External regenerative resistor for ProNet-A5A~04A/ProNet-E-A5A~04A is provided by customer, the model of 60W, 50Ω resistor is recommended.
4. Change Pn521.0 from "1" to "0" when using the external regenerative resistor in ProNet-A5A~04A /ProNet-E-A5A~04A servo drives.

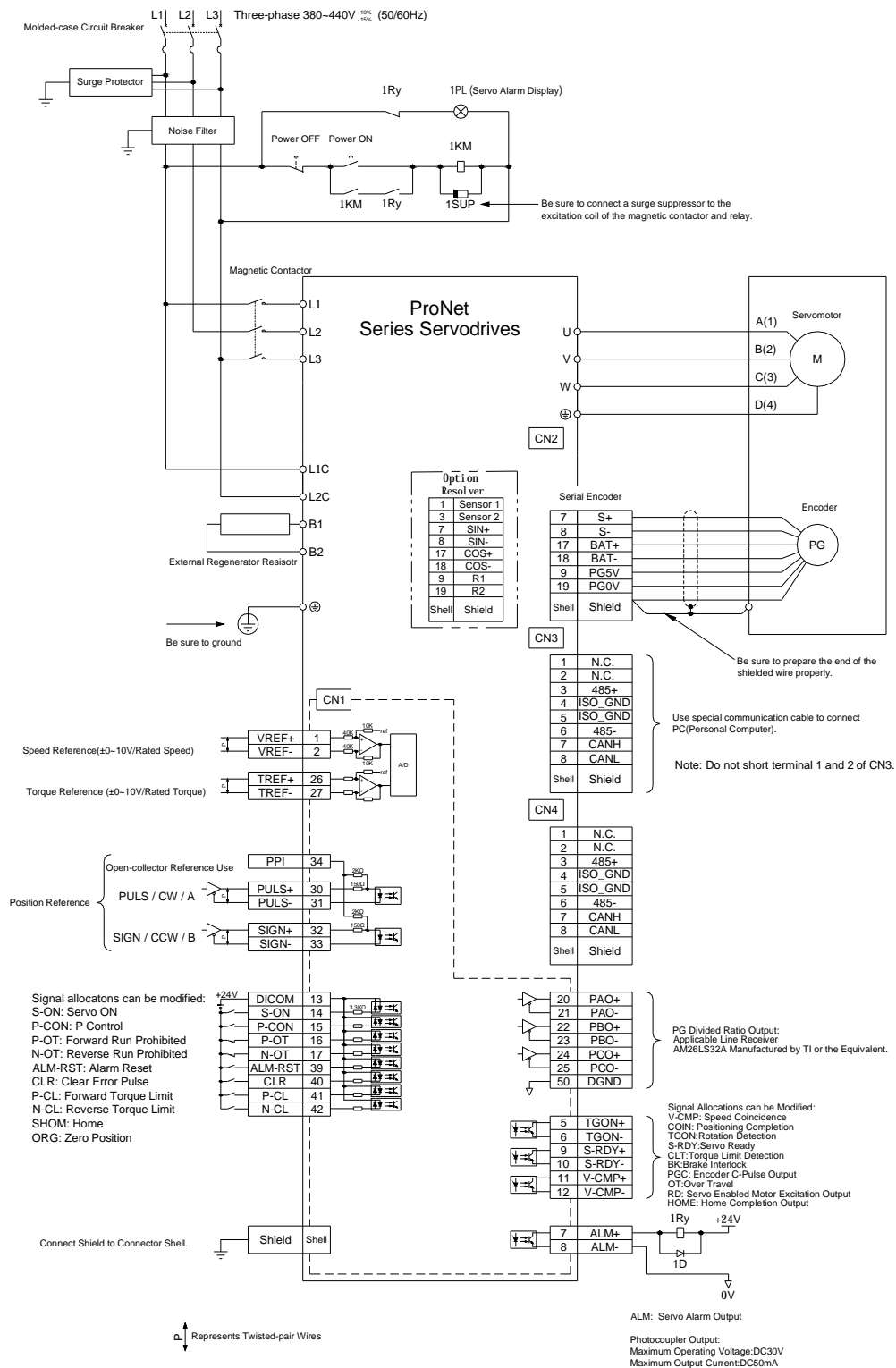
### 3.5.2 Three-phase 200V ProNet-08A~50A/ProNet-E-08A~50A



### 3.5.3 Three-phase 400V ProNet-10D~70D/ProNet-E-10D~50D



### 3.5.4 Three-phase 400V ProNet-75D~2BD

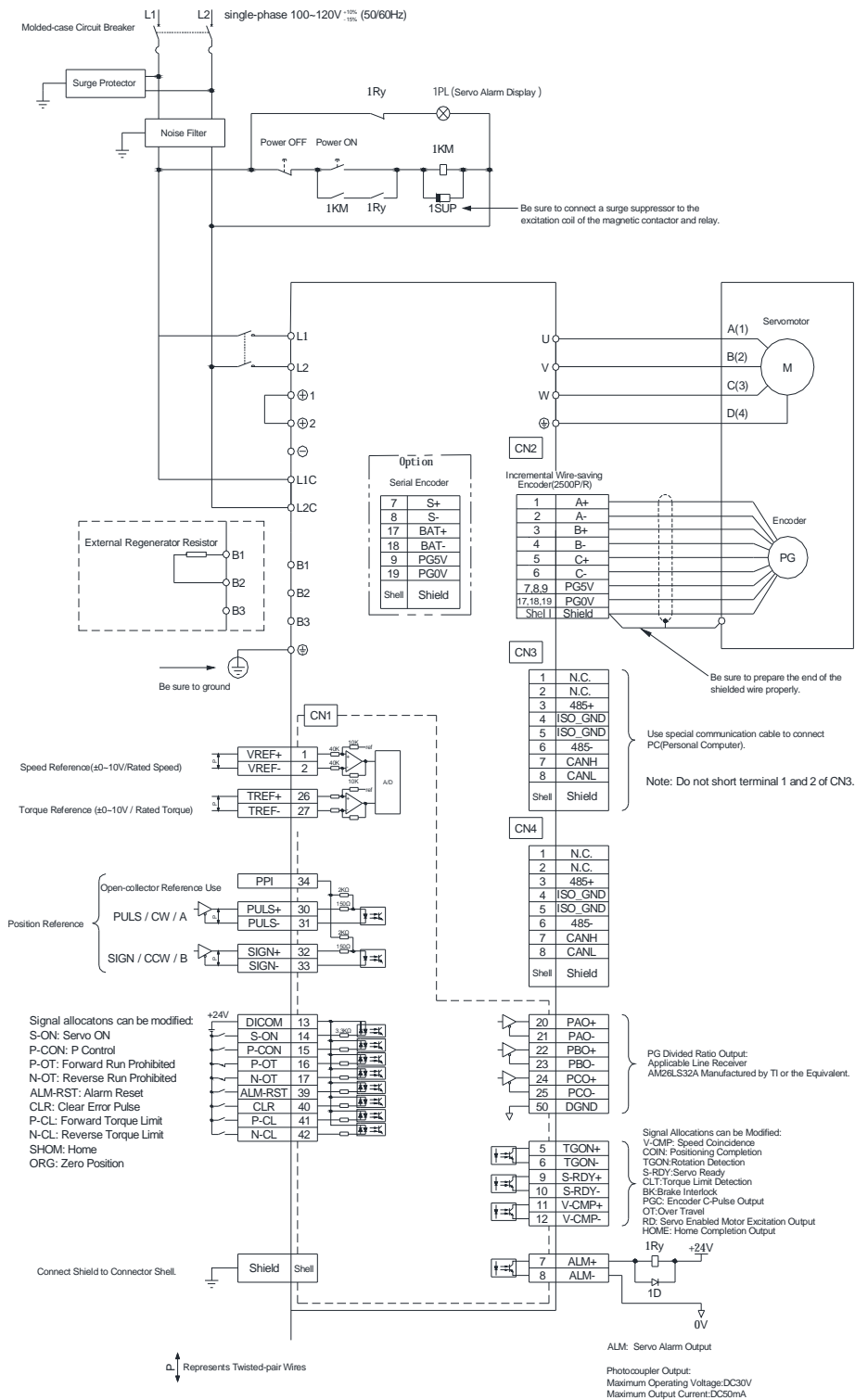


**Notes:**

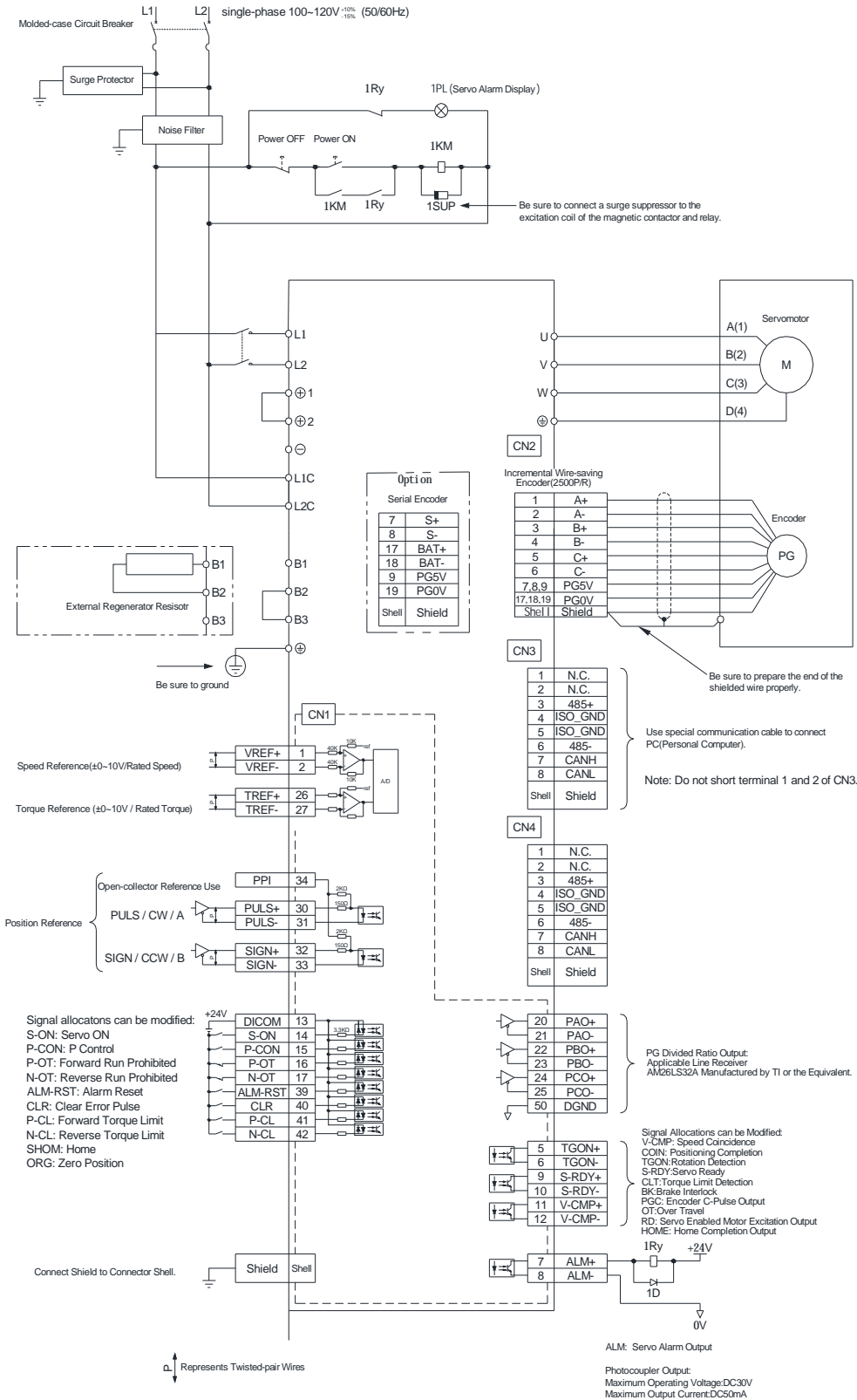
1. The resistor of 1500W/20Ω is recommended for the external regenerative resistor of ProNet-1AD.
2. The resistor of 1500W/15Ω is recommended for the external regenerative resistor of ProNet-1ED.
3. The resistor of 1500W/20Ω is recommended for the external regenerative resistor of ProNet-2BD.



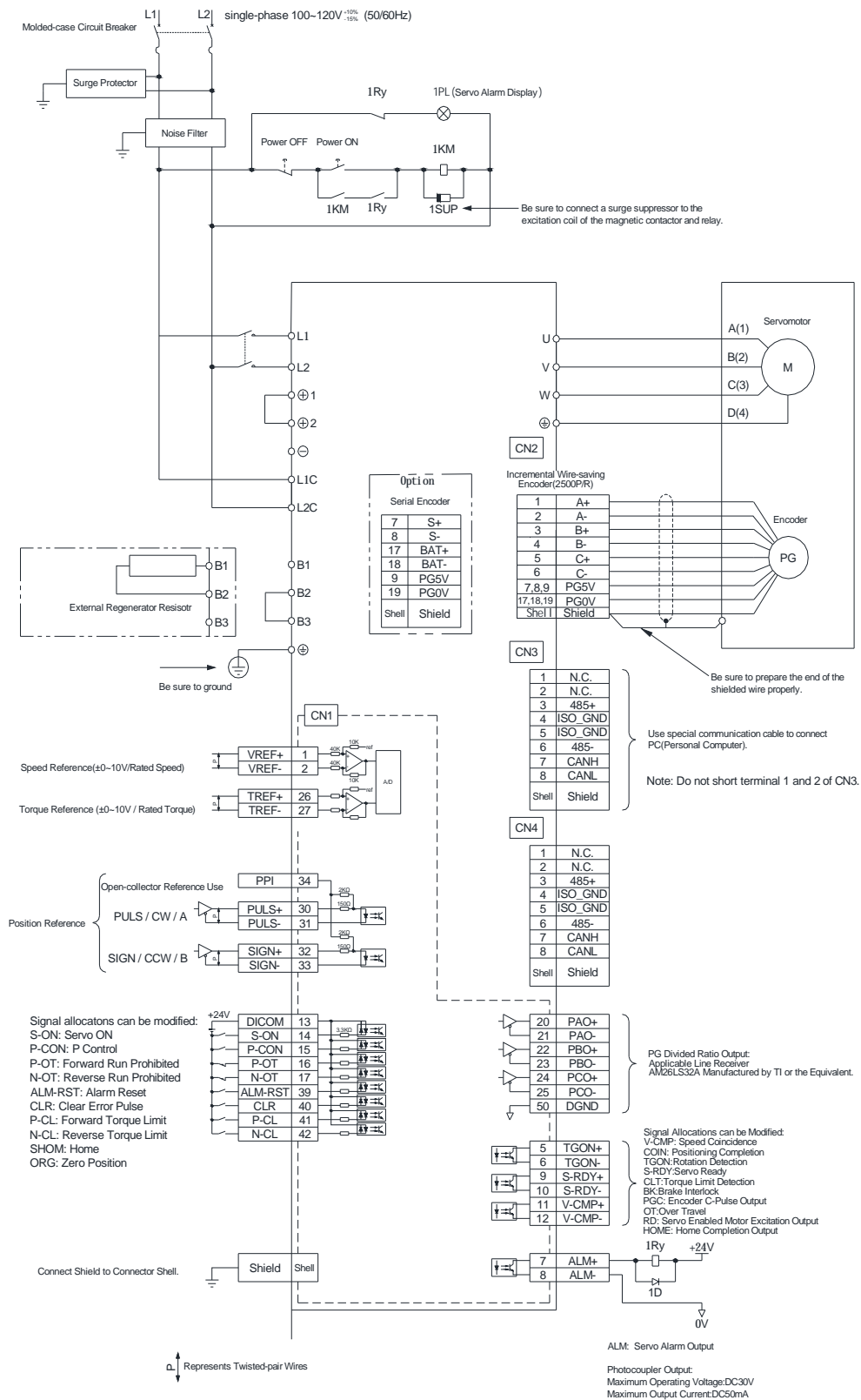
### 3.5.5 Single-phase 100V ProNet-02B/ProNet-E-02B



### 3.5.6 Single-phase 100V ProNet-04B /ProNet-E-04B



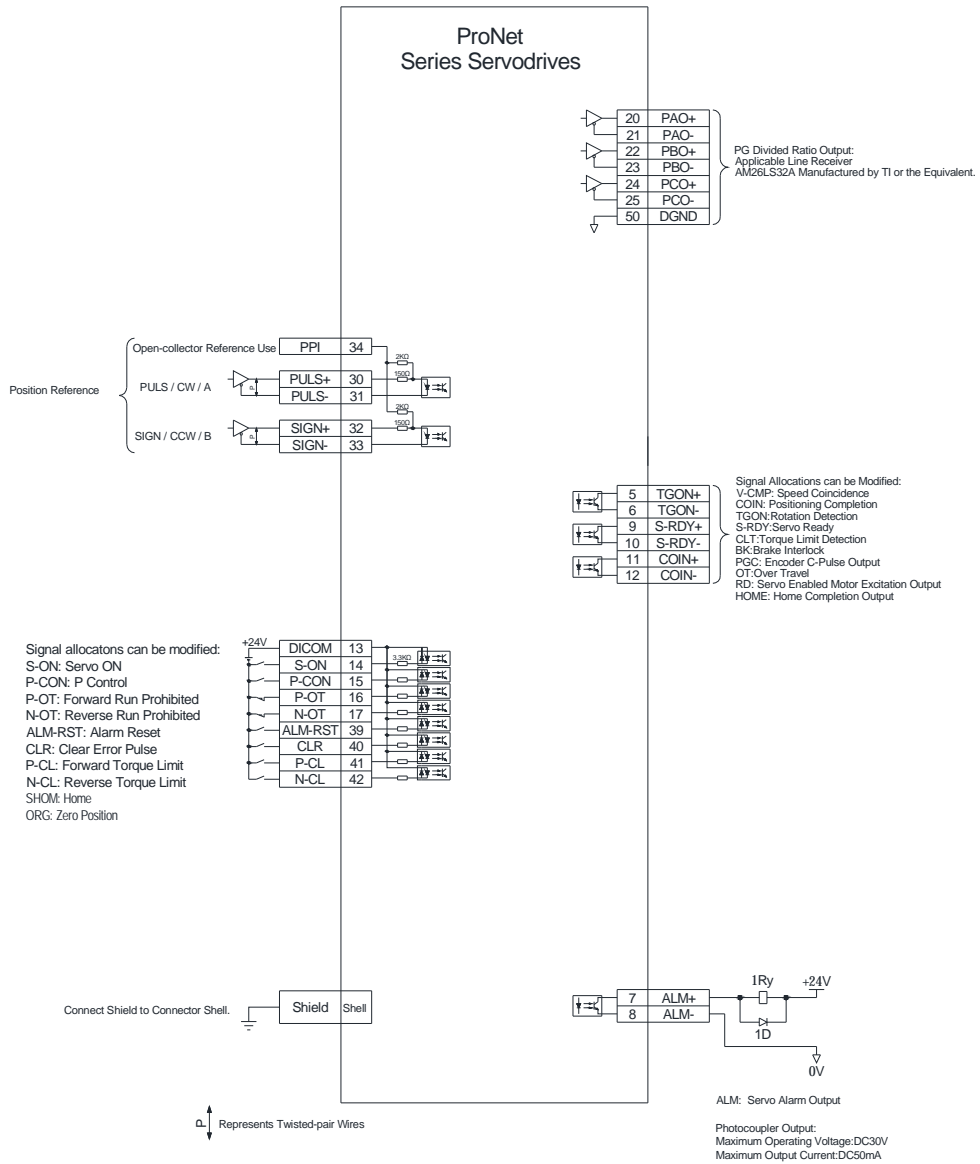
### 3.5.7 Single-phase 100V ProNet-08B/ ProNet-E-08B



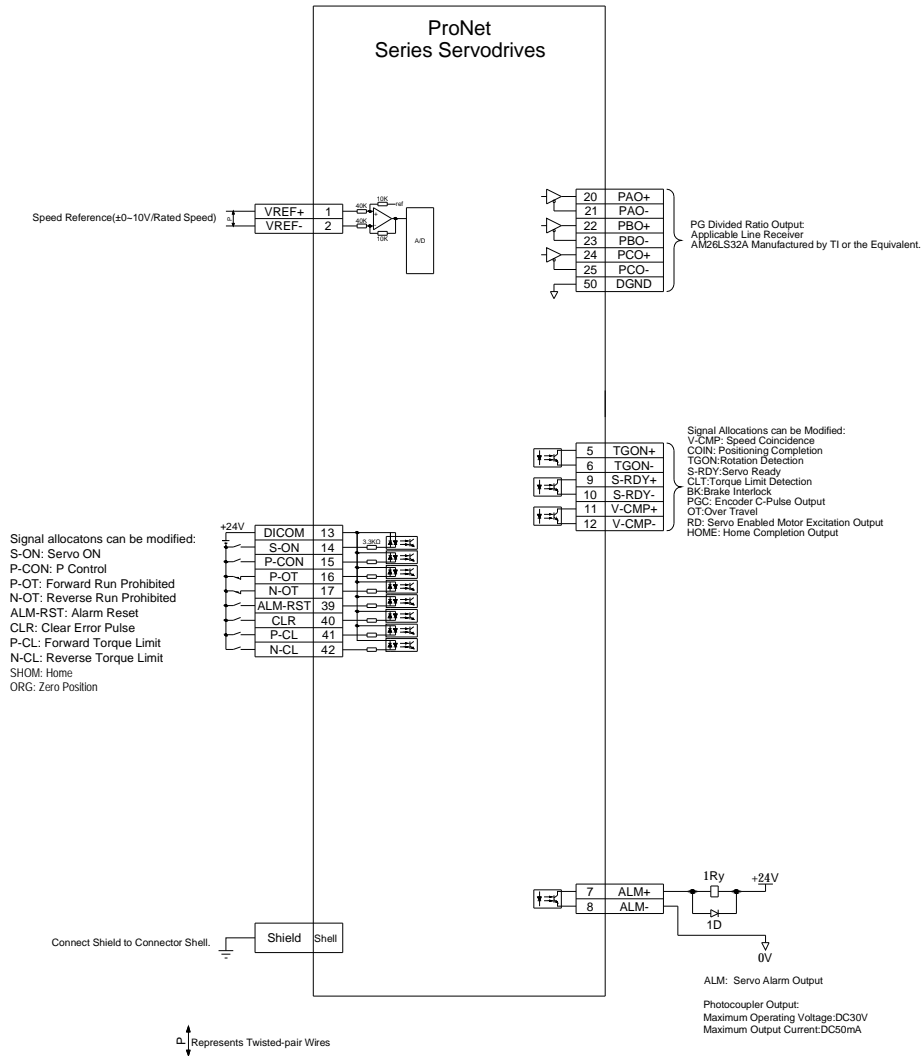
Notes:

- When single-phase 100VAC is provided for main circuit on rated speed, instantaneous peak torque  $\leq 4.78$  N.m.
- When three-phase 100VAC is provided for main circuit on rated speed, instantaneous peak torque  $\leq 7.16$  N.m.

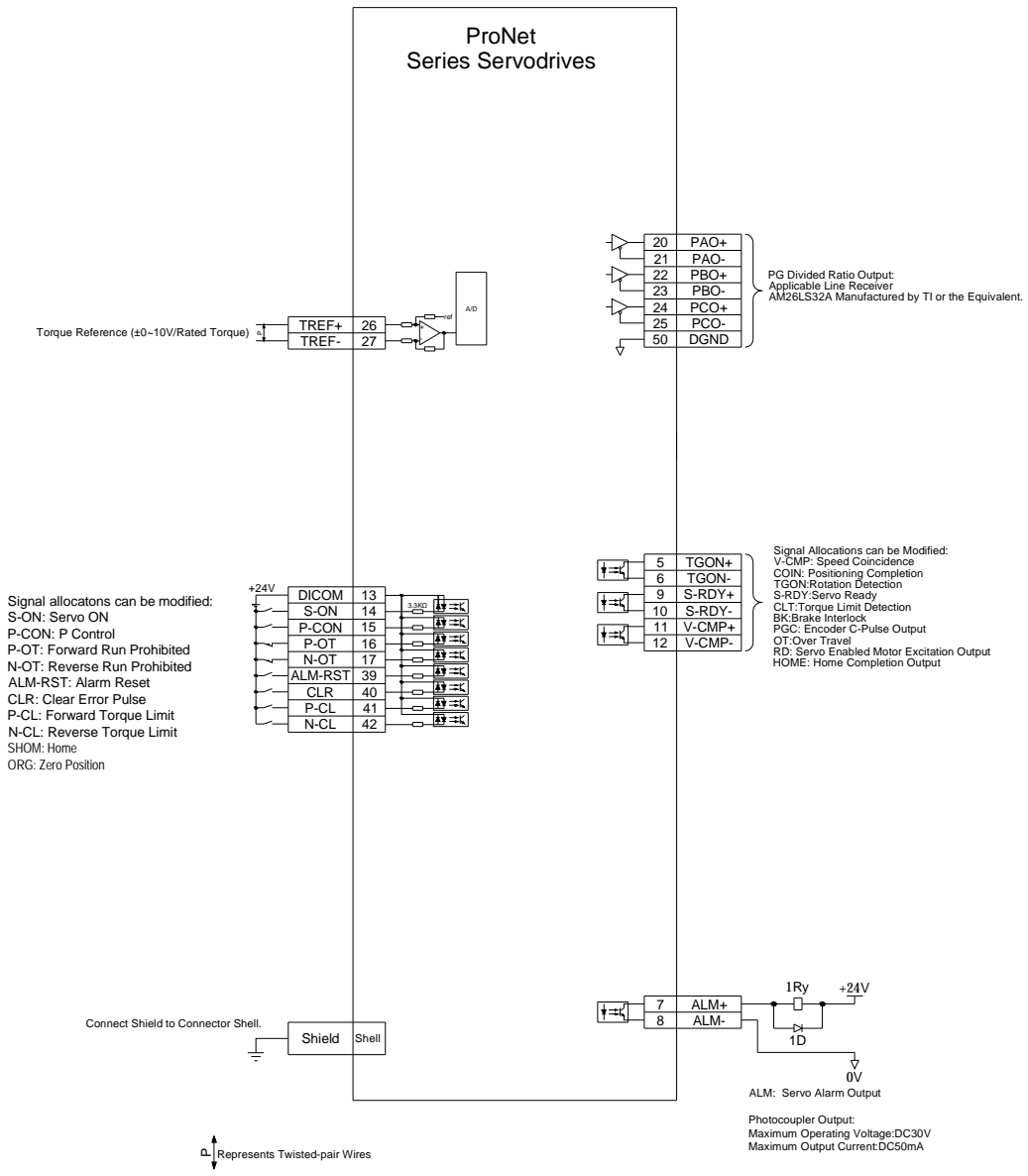
### 3.5.8 Position Control Mode



### 3.5.9 Speed Control Mode



### 3.5.10 Torque Control Mode





## (2) Correct Grounding

Take the following grounding measures to prevent the servo drive from malfunctioning due to noise.

- Grounding the Motor Frame

If the servomotor is grounded via the machine, a switching noise current will flow from the servo drive main circuit through the servomotor stray capacitance.

Always connect servomotor frame terminal FG to the servo drive ground terminal. Also be sure to ground the ground terminal  $\oplus$  .

- Noise on the I/O Signal Line

If the I/O signal line receives noise, ground the 0 V line (SG) of the reference input line. If the main circuit wiring for the motor is accommodated in a metal conduit, ground the conduit and its junction box. For all grounding, ground at one point only.

## (3) Precautions on Installing on the Control Panel

- When the servo drive is installed on the control panel, a piece of metal plate should be fixed. It is used for fixing the servo drive and other peripheral devices. The noise filter should be installed on the metal plate, and closed to the hole drill through power lines on control panel. Use screws to fix the noise filter to the metal plate. The grounding terminals of noise filter connects to the grounding terminals of control panel.

- Servo drive should be fixed on a piece of metal plate. Make sure the heat sink towards ground. The grounding terminals of servo drive connect to the grounding terminals of control panel.

## 3.6.2 Precautions on Connecting Noise Filter

## (1) Noise Filter Brake Power Supply

Use the noise filter Manufactured by SCHAFFNER at the brake power input for servomotors with holding brakes.

Relationship between servo drive power and noise filter current:

Servo Drive Power	Noise Filter Current
0.05 kW	0.7A
0.1 kW	1.4A
0.2kW	1A
0.4kW	2A
0.75kW	4A
1 kW	4A
1.5 kW	6A
2 kW	8A
3 kW	12A
5 kW	20A
7.0kW	30A
7.5kW	30A
11kW	44A
15kW	60A
22kW	88A



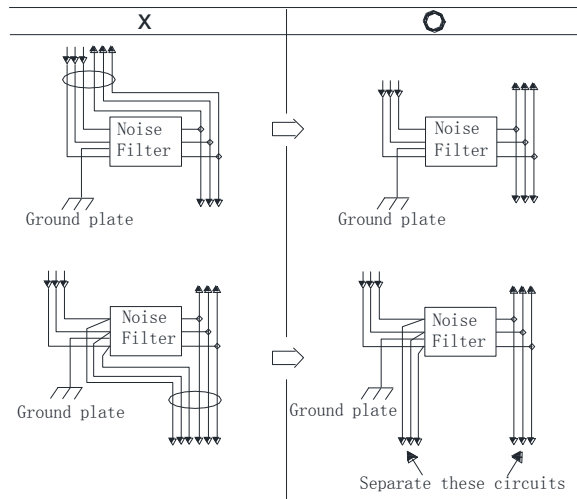
Note:

1. A single-phase servomotor should apply a two-phase filter. A three-phase servo drive should apply a three-phase filter.
2. Choose the right filter according the specifications of operating voltage, current, and manufacturer.
3. Recommended noise filter of 400V servo drive:

Servo Drive Model	JIANLI Noise Filter	SCHAFFNER Noise Filter
ProNet-10D	DL-5EB	FN3025HP-10-71
ProNet-20D	DL-10EB	FN3025HP-10-71
ProNet-30D	DL-15EB3	FN3025HP-20-71
ProNet-50D	DL-25EB3	FN3025HP-30-71
ProNet-70D	DL-30EB3	FN3025HP-30-71

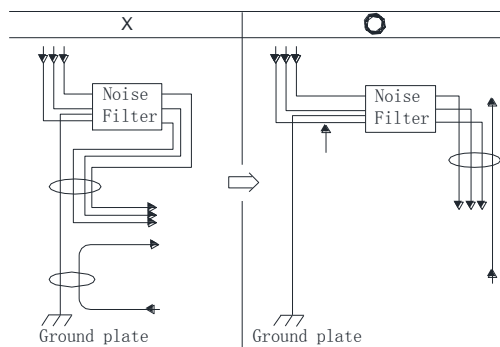
(2) Precautions on Using Noise Filters

Do not put the input and output lines in the same duct or bundle them together.

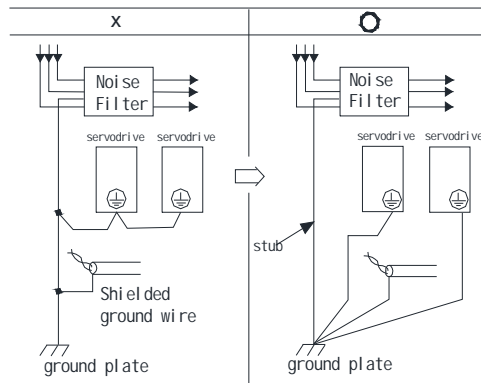


Separate the noise filter ground wire from the output lines.

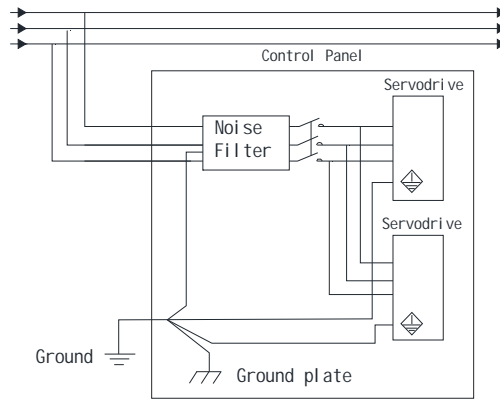
Do not accommodate the noise filter ground wire, output lines and other signal lines in the same duct or bundle them together.



Install the noise filter shield directly to the ground plate. Do not install the noise filter to the painted control panel.



If a noise filter is located inside a control panel, connect the noise filter ground wire and the ground wires from other devices inside the control panel to the ground plate for the control panel first, then ground these wires.



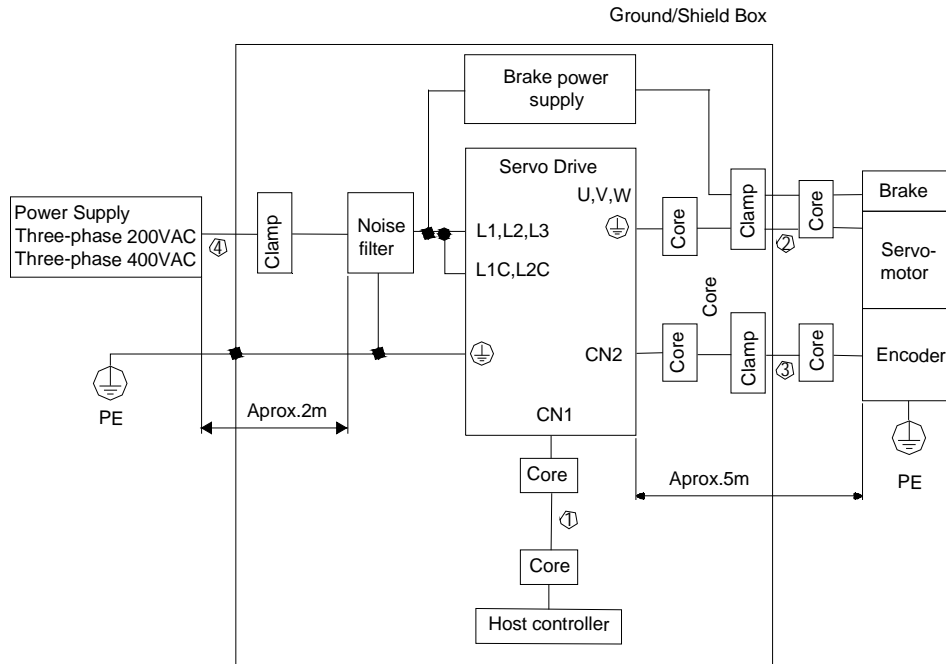
### 3.7 Installation Conditions of EMC Directives

To adapt a combination of a servomotor and a servodrive to EMC Directives (EN61326-1:2006), the following conditions must be satisfied.

(1) EMC Installation Conditions

This section describes the installation conditions that satisfy EMC guidelines for each servo drive model.

This section describes the EMC installation conditions satisfied in test conditions prepared by ESTUN. The actual EMC level may differ depending on the actual system's configuration, wiring, and other conditions.



Symbol	Cable Name	Specifications
①	I/O signal cable	Shield cable
②	Servomotor cable	Shield cable
③	Encoder cable	Shield cable
④	AC line cable	Shield cable

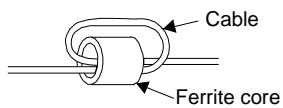
Notes: The example above shows three-phase 200VAC servo drive connection.

(2) Cable Core and Cable Clamp

(a) Attaching the Ferrite Core

The diagram shows two turns in the cable.

The table shows the cable and the position where the ferrite core is attached.



Cable Name	Mounting Position of the Core
I/O signals cable	Near the host controller and servodrive.
Motor cable	Near the servodrive and servomotor.
Encoder cable	Near the servodrive and servomotor.

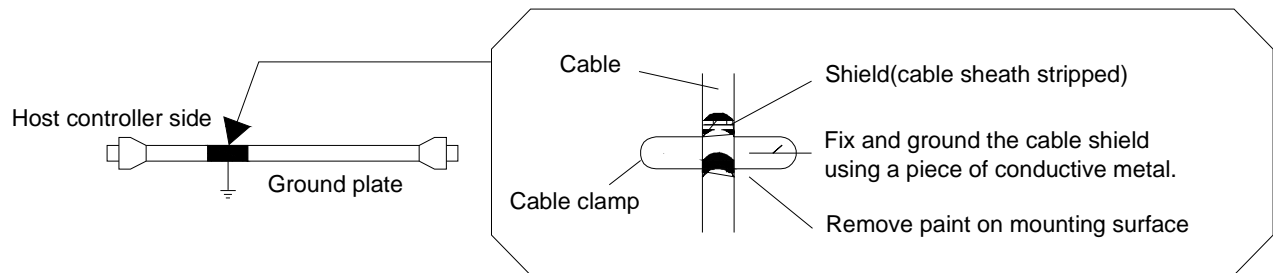
(b) Recommended Ferrite-core

Cable Name		Ferrite Core Model	Manufacturer
I/O signals cable		ESD-SR-25	TOKIN
Encoder cable			
Motor cable	400W or less	PC40T96 × 20 × 70	TDK
	750W or less		

## (c) Fixing the Cable

Fix and ground the cable shield using a piece of conductive metal.

- Example of Cable Clamp



## (d) Shield Box

A shield box, which is a closed metallic enclosure, should be used for shielding magnetic interference. The structure of the box should allow the main body, door, and cooling unit to be attached to the ground. The box opening should be as small as possible.

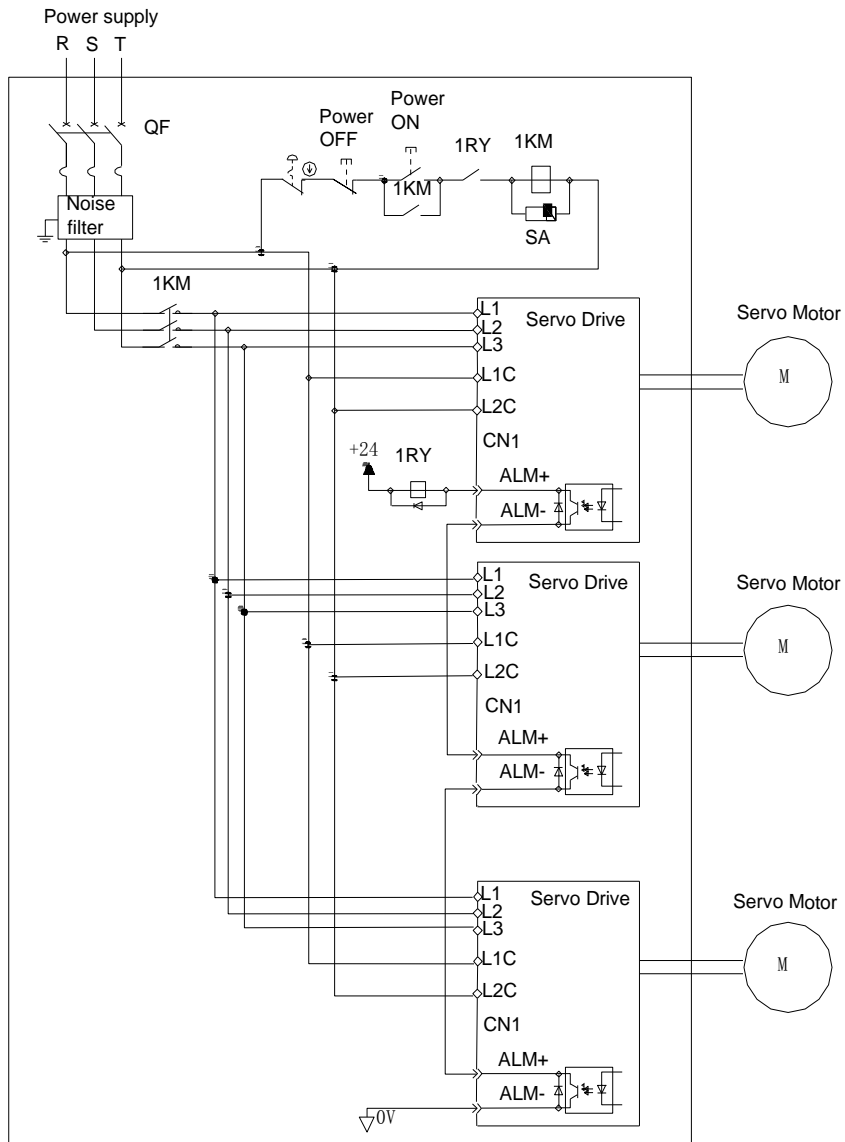
## 3.8 Using More than One Servo Drive

The following diagram is an example of the wiring when more than one servo drive is used.

Connect the alarm output (ALM) terminals for the three servo drives in series to enable alarm detection relay 1RY to operate.

When the alarm occurs, the ALM output signal transistor is turned OFF.

Multiple servos can share a single molded-case circuit breaker (QF) or noise filter. Always select a QF or noise filter that has enough capacity for the total power capacity (load conditions) of those servos.

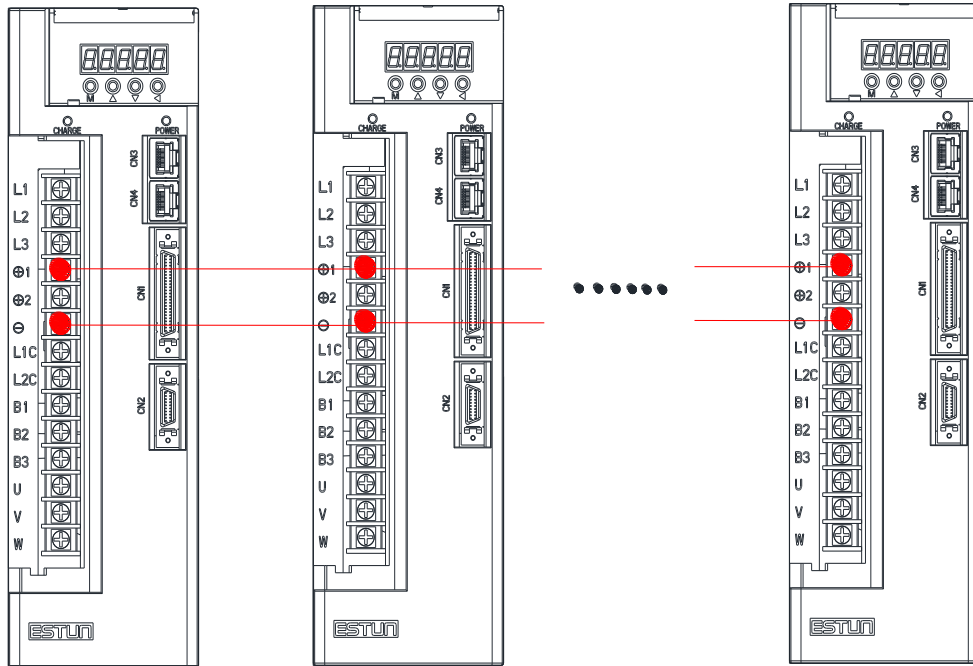


Notes:

1. Power supply phase-S should connect to ground terminals.
2. The example above shows three-phase 200VAC servo drive connection.

### 3.9 Connecting DC Bus

Servo drive wiring includes standard wiring (standard wiring refers to **3.5 Standard Wiring Examples**) and optional wiring. Connecting DC bus together of the optional wiring conduces to bus voltage more stable. The following diagram is an example of the wiring when connecting more than one servo drive DC bus.



**Notes:**

Connecting DC bus together is available only for 200V ProNet and ProNet-E series servo drives. Please use the wiring on ProNet-08A/10A, ProNet-E-08A/10A directly, and inquire customer service before wiring on other products.

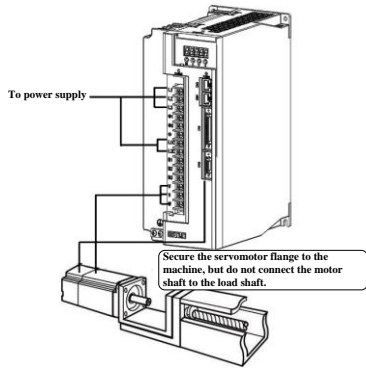
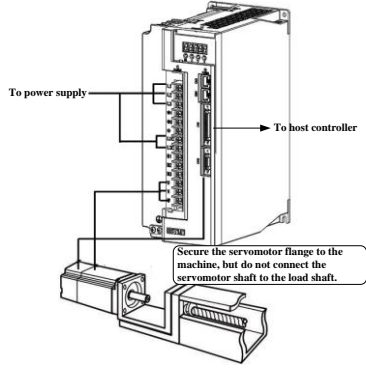
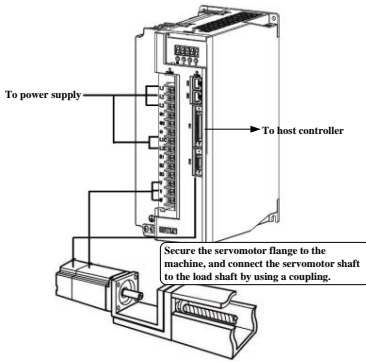
# Chapter 4

## Operation

### 4.1 Trial Operation

Make sure that all wiring has been completed prior to trial operation.

Perform the following three types of trial operation in order. Instructions are given for speed control mode (standard setting) and position control mode. Unless otherwise specified, the standard parameters for speed control mode (factory settings) are used.

(1) Trial Operation for Servomotor Without Load (Refer to 4.1.1)	
	<p>■ Purpose</p> <p>The servomotor is operated without connecting the shaft to the machine in order to confirm the following wiring is correct.</p> <ul style="list-style-type: none"> <li>• Power supply circuit wiring</li> <li>• Servomotor wiring</li> <li>• Encoder wiring</li> <li>• Rotation direction and speed of servomotor.</li> </ul> <p style="text-align: right;">(Please refer to step 1-4)</p>
(2) Trial operation for servomotor with host reference (Refer to 4.1.2)	
	<p>■ Purpose</p> <p>The servomotor is operated without connecting the shaft to the machine in order to confirm the following wiring is correct.</p> <ul style="list-style-type: none"> <li>• I/O signal wiring with host controller</li> <li>• Rotation direction, speed and number of rotations of servomotor.</li> <li>• Check the operation of the brake, overtravel and other protective functions.</li> </ul> <p style="text-align: right;">(Please refer to step 5-8)</p>
(3) Trial operation for servomotor and machine combined (Refer to 4.1.3)	
	<p>■ Purpose</p> <p>Perform the trial operation with the servomotor connected to the machine. The servo drive is adjusted to match the machine characteristics.</p> <ul style="list-style-type: none"> <li>• Servomotor speed and machine travel distance.</li> <li>• Set the necessary parameters.</li> </ul> <p style="text-align: right;">(Please refer to step 9-11)</p>

Step	Item	Description	Reference
1	Installation	Install the servomotor and servo drive according to the installation conditions. (Do not connect the servomotor to the machine because the servomotor will be operated first under the no-load condition for checking.)	-
↓			
2	Wiring	Connect the power supply circuit (L1, L2 and L3), servomotor wiring (U, V, W), I/O signal wiring (CN1), and encoder wiring (CN2). But during (1) Trial Operation for Servomotor Without Load, disconnect the CN1 connector.	-
↓			
3	Turn the power ON	Turn the power ON. Using the panel operator to make sure that the servo drive is running normally. If using a servomotor equipped with an absolute encoder, please perform the setup for the absolute encoder.	-
↓			
4	Execute JOG operation	Execute JOG operation with the servomotor alone under the no-load condition.	JOG Operation
↓			
5	Connect input signals	Connect the input signals (CN1) necessary for trial operation to the servo drive.	-
↓			
6	Check input signals	Use the internal monitor function to check the input signals. Turn the power ON, and check the emergency stop, brake, overtravel, and other protective functions for the correct operation.	-
↓			
7	Input the Servo-ON signal	Input the Servo-ON signal, and turn ON the servomotor.	Host Reference
↓			
8	Input reference	Input the reference necessary for control mode, and check the servomotor for correct operation.	Host Reference
↓			
9	Protective operation	Turn the power OFF, and connect the servomotor to the machine. If using a servomotor equipped with an absolute encoder, set up the absolute encoder and make the initial settings for the host controller to match the machine's zero position.	-
↓			
10	Set necessary parameters.	Using the same procedure as you did to input a reference in step 8, operate the servomotor via the host controller and set the parameter to make sure the machine's travel direction, travel distance, and travel speed all correspond to the reference.	Host Reference
↓			
11	Operation	The servomotor can now be operated. Adjust the servo gain if necessary.	Host Reference

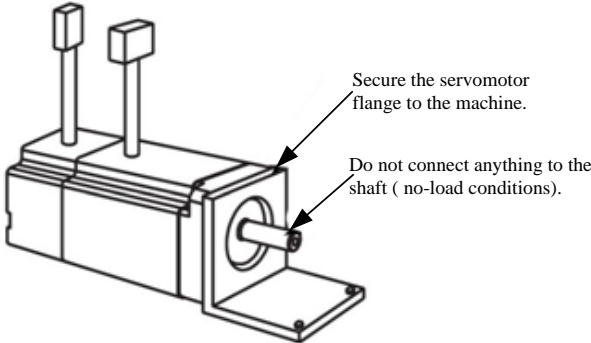
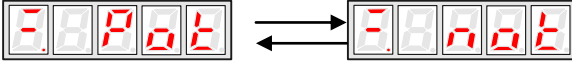



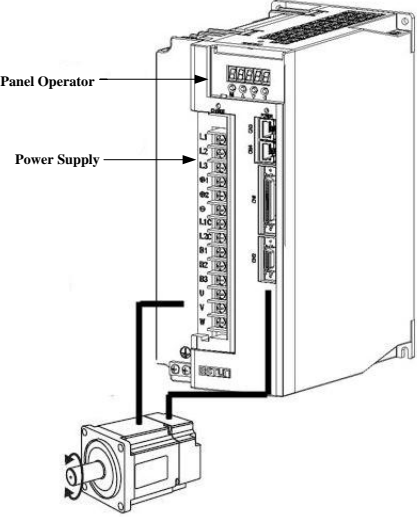
### 4.1.1 Trial Operation for Servomotor Without Load

**CAUTION**





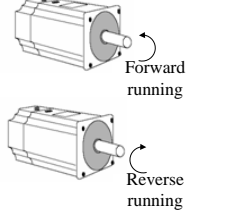


- Release the coupling between the servomotor and the machine, and secure only the servomotor without a load.
- To prevent accidents, initially perform the trial operation for servomotor under no-load conditions (with all couplings and belts disconnected).

In this section, confirm the cable connections of the main circuit power supply, servomotor and encoder. Incorrect wiring is generally the reason why servomotors fail to operate properly during the trial operation. Confirm the wiring, and then conduct the trial operation for servomotor without load according to the following steps.

Step	Description	Check Method and Remarks
1	<p>Secure the servomotor.</p> 	<p>Secure the servomotor flange to the machine in order to prevent the servomotor from moving during operation.</p> <p>Do not connect the servomotor shaft to the machine. The servomotor may tip over during rotation.</p>
2	<p>Check the power supply circuit, servomotor, and encoder wiring.</p>	<p>With the I/O signal connector (CN1) disconnected, check the power supply circuit and servomotor wiring. Refer to <b>3.1 Main Circuit Wiring</b>.</p>
3	<p>Turn ON the control power supply and main circuit power supply.</p> <p>Normal Display</p>  <p>Alternate Display</p> <p>Example of Alarm Display</p> 	<p>If the power is correctly supplied, the panel operator display on the front panel of the servo drive will appear as shown on the left. The display on the left indicates that forward run prohibited (P-OT) and reverse run prohibited (N-OT).</p> <p>If an alarm display appears, the power supply circuit, servomotor wiring, or encoder wiring is incorrect. If an alarm is displayed, turn OFF the power, find the problem, and correct it.</p>
4	<p>When using a servomotor with a brake, release the brake first before driving the servomotor.</p> <p>When using a servomotor equipped with an absolute encoder, the encoder setup is required before driving the servomotor.</p>	<p>Please refer to <b>4.3.4 Setting for Holding Brakes</b></p> <p>Please refer to <b>4.5 Operating Using Speed Control with Analog Reference</b></p>

Step	Description	Check Method and Remarks
5	 <p>Panel Operator</p> <p>Power Supply</p>	<p>Use the panel operator to operate the servomotor with utility function Fn002 (JOG Mode Operation). Check that the servomotor rotates in the forward direction by pressing the INC key, and reverse direction by pressing the DEC key.</p> <p>The operation is completed when the operation is performed as described below and the alarm display does not appear.</p> <p>Complete the Fn002 (JOG Mode Operation) and turn OFF the power.</p> <p>For the operation method of the panel operator, refer to <b>Chapter 5 Panel Operator</b></p> <p>The servomotor speed can be changed using the Pn305 (JOG Speed). The factory setting for JOG speed is 500rpm.</p>

■ JOG Mode Operation (Fn002)

Step	Display after operation	Panel operator	Description
1		MODE key	Press the MODE key to select the function mode.
2		INC or DEC key	Press the INC key or DEC key to select Fn002.
3		ENTER key	Press the ENTER key, and the servomotor will enter JOG operation mode.
4		MODE key	Press the MODE key. This will turn ON the power to the servomotor.
5	 <p>Forward running</p> <p>Reverse running</p>	INC or DEC key	The servomotor will run in forward direction when INC key is pressed or in reverse direction when DEC key is pressed. The servomotor will operate as long as the key is pressed.
6		MODE key	Press the MODE key. This will turn OFF the power to the servomotor.
7		ENTER key	Press the ENTER key to return to the Fn002 display of the utility function mode. Now, the servo drive is OFF.

**Note:**

The servomotor's rotation direction depends on the setting of parameter Pn001.0 (Direction Selection).

The example above describes operation with Pn001.0 in the factory setting.

Pn305	<b>JOG Speed</b>				
			Speed	Position	Torque
	<b>Setting Range</b>	<b>Setting Unit</b>	<b>Factory Setting</b>	<b>Setting Validation</b>	
	0~6000	rpm	500	Immediately	
Set the utility function Fn002 (JOG Mode Operation) to the reference value of servomotor speed.					

The servomotor can be operated using only the panel operator without reference from the host controller.

Please note that the Forward Run Prohibited (P-OT) and Reverse Run Prohibited (N-OT) signals are invalid during JOG mode operation.

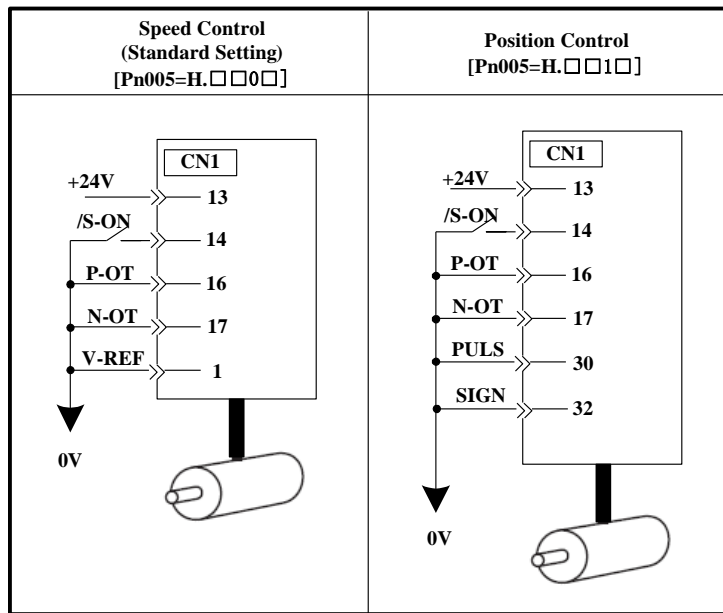
### 4.1.2 Trial Operation for Servomotor without Load from Host Reference

Check that the servomotor move reference or I/O signals are correctly set from the host controller to the servo drive.

Also check the wiring and polarity between the host controller and servo drive, and the servo drive operation settings are correct. This is the final check before connecting the servomotor to the machine.

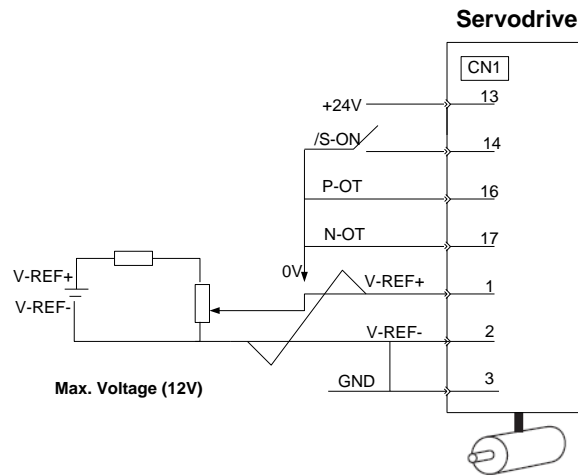
#### (1) Servo ON Command from the Host

The following circuits are required: External input signal circuit or equivalent.



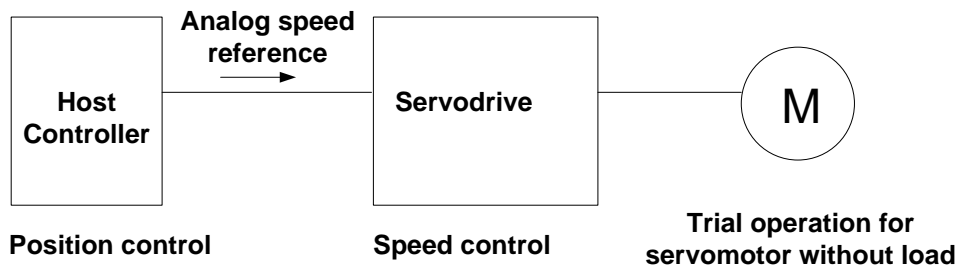
**(2) Operating Procedure in Speed Control Mode (Pn005=H. □□0□)**

The following circuit is required: External input signal circuit or equivalent.



Step	Description	Check Method and Remarks
1	Check the power and input signal circuits again, and check that the speed reference input (voltage between the V-REF+ and V-REF-) is 0V.	Refer to the above figure for the input signal circuit.
2	Turn ON the servo ON (/S-ON) input signal.	If the servomotor rotates at an extremely slow speed, refer to <b>4.5.3 Adjusting Reference Offset</b> , and use the reference voltage offset to keep the servomotor from moving.
3	Generally increase the speed reference input voltage between V-REF+ and V-REF- from 0 V.	The factory setting is 6V/rated rotation speed.
4	Check the speed reference input to the servo drive (Un001[rpm])	Refer to <b>5.1.6 Operation in Monitor Mode</b> .
5	Check the Un000 (motor speed [rpm])	Refer to <b>5.1.6 Operation in Monitor Mode</b> .
6	Check that the Un001 and Un000 values in steps 4 and 5 are equal.	Change the speed reference input voltage and check that Un001 and Un000 are equal for multiple speed references.
7	Check the speed reference input gain and servomotor rotation direction.	Refer to the following equation to change the speed reference input gain (Pn300). $Un001 = (V-REF \text{ Voltage})[V] \times Pn300$ To change the servomotor rotation direction without changing polarity for speed reference input voltage, refer to <b>4.3.2 Switching the Servomotor Rotation Direction</b> . Perform the operation from step 2 again after the servomotor rotation direction is changed.
8	When the speed reference input is set to 0 V and servo OFF status enters, trial operation for servomotor without load is completed.	

■ When Position Control is configured at the Host

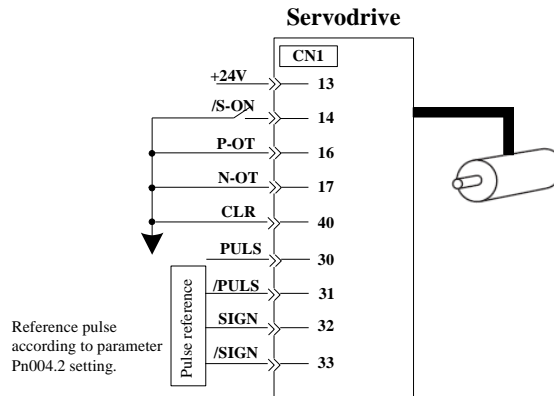


When the servo drive conducts speed control and position control is conducted at the host controller, perform the operation below, following the operation in **Operation Procedure in Speed Control Mode (Pn005=H. □□0□)**.

Step	Description	Check Method and Remarks
9	Check the input signal circuit again, and check that the speed reference input (between the V-REF+ and V-REF-) is 0 V.	Refer to the above figure for input signal circuit.
10	Turn the servo ON input signal (/S-ON) ON.	If the servomotor rotates at an extremely slow speed, refer to <b>4.5.3 Adjusting Reference Offset</b> , and use the reference voltage offset to keep the servomotor from moving.
11	Send the command for the number of servomotor rotations. Check the sent number of rotations, the actual number of rotations by visual inspection, and the Un004 (rotation angle)[pulse]	Refer to <b>5.1.6 Operation in Monitor Mode</b> for how it is displayed. Un004(rotation angle)[pulse]: The number of pulses from the zero point.
12	If the sent number of rotations and actual number of rotations in step 11 are not equal, correctly set the Pn200 (PG divided ratio) outputting the encoder pulse from the servo drive.	Refer to <b>4.5.8 Encoder Signal Output</b> for how to set PG divided ratio (Pn200[P/Rev]):The number of encoder pulses per revolution.
13	When the speed reference input is set to 0 V and servo OFF status is entered, the trial operation for position control with the host controller is completed.	—

**(3) Operating Procedure in Position Control Mode (Pn005=H. □□1□)**

The following circuit is required: External input signal circuit or equivalent.



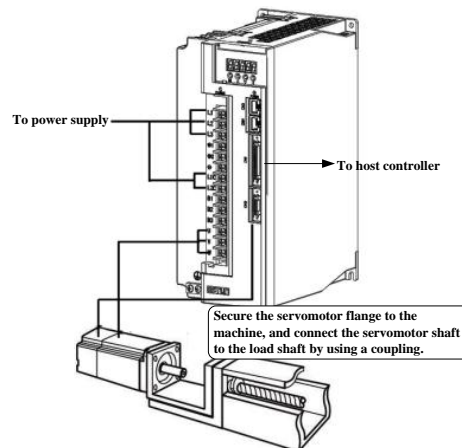
Step	Description	Check Method and Remarks
1	Match the reference pulse form with the pulse output form from the host controller.	Set the reference pulse form with Pn004.2.
2	Set the reference unit and electronic gear ratio so that it coincides with the host controller setting.	Set the electronic gear ratio with Pn201(or Pn203)/Pn202.
3	Turn the power and the servo ON input signal ON.	
4	Send the slow speed pulse reference for the number of servomotor rotation easy to check (for example, one servomotor revolution) from the host controller in advance.	Set the servomotor speed to 100rpm for the reference pulse speed because such speed is safe.
5	Check the number of reference pulses input to the servo drive by the changed amount before and after the Un013 and Un014(input reference pulse counter)[pulse] were executed.	Refer to <b>5.1.6 Operation in Monitor Mode</b> for how it is displayed.
6	Check whether the actual number of servomotor rotations Un009、 Un010 coincides with the number of input reference pulses.	Refer to <b>5.1.6 Operation in Monitor Mode</b> for how it is displayed.
7	Check that the servomotor rotation direction is the same as the reference.	Check the input pulse polarity and input reference pulse form.
8	Input the pulse reference with the large number of servomotor rotation from the host controller to obtain the constant speed.	Set the servomotor speed to 100rpm for the reference pulse speed because such speed is safe.
9	Check the reference pulse speed input to the servo drive using the Un008 in Monitor Mode. (input reference pulse speed)[rpm].	Refer to <b>5.1.6 Operation in Monitor Mode</b> for how it is displayed.
10	Check the servomotor speed using the Un000 in Monitor Mode. (servomotor speed) [rpm].	Refer to <b>5.1.6 Operation in Monitor Mode</b> for how it is displayed.
11	Check the rotation of the servomotor shaft.	To change the servomotor rotation direction without changing the input reference pulse form, refer to <b>4.3.2 Switching the Servomotor Rotation Direction</b> . Perform the operation from step 8 again after the servomotor rotation direction is changed.
12	When the pulse reference input is stopped and servo OFF status is entered, the trial operation for servomotor without load in position control mode is complete.	—

### 4.1.3 Trial Operation with the Servomotor Connected to the Machine



- Follow the procedure below for trial operation precisely as given.
- Malfunctions that occur after the servomotor is connected to the machine not only damage the machine, but may also cause an accident resulting in death or injury.

Follow the procedure below to perform the trial operation.



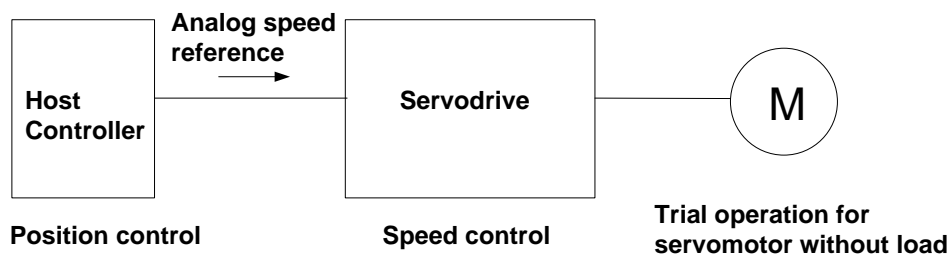
Step	Description	Check Method and Remarks
1	Turn the power ON, and make the settings for the mechanical configuration related to protective functions such as overtravel and brake.	Refer to <b>4.3 Setting Common Basic Functions</b> . When a servomotor with brake is used, take advance measures to prevent vibration due to gravity acting on the machine or external forces before checking the brake operation. Check that both servomotor and brake operations are correct. For details, refer to <b>4.3.4 Setting for Holding Brakes</b> .
2	Set the necessary parameters for the control mode used.	Refer to <b>4.5 Operating Using Speed Control with Analog Reference</b> , <b>4.6 Operating Using Position Control</b> , and <b>4.7 Operating Using Torque Control</b> for control mode used.
3	Connect the servomotor to the machine with the coupling, etc., while the power is OFF.	
4	Check that the servo drive is servo OFF status and then turn ON the power to the machine (host controller). Check again that the protective function in step 1 operates normally.	Refer to <b>4.3 Setting Common Basic Functions</b> . For the following steps, take advanced measures for an emergency stop so that the servomotor can stop safely when an error occurs during operation.
5	Perform trial operation with the servomotor connected to the machine, following each section in <b>4.1.2 Trial Operation for Servomotor without Load from Host Reference</b> .	Check that the trial operation is completed according to the trial operation for servomotor without load. Also, check the settings for machine such as reference unit.
6	Check the parameter settings for control mode used in step 2.	Check that the servomotor rotates matching the machine operating specifications.
7	Adjust the servo gain and improve the servomotor response characteristics, if necessary.	The servomotor will not be broken in completely during trial operation. Therefore, let the system run for a sufficient amount of time to ensure that it is properly broken in.
8	Thus, the trial operation with the servomotor connected to the machine is complete.	

## 4.1.4 Trial Operation for Servomotor with Brakes

Holding brake operation of the servomotor can be controlled with the brake interlock output (/BK) signal of the servo drive. When checking the brake operation, take advance measures to prevent vibration due to gravity acting on the machine or external forces. Check the servomotor operation and holding brake operation with the servomotor separated from the machine. If both operations are correct, connect the servomotor to the machine and perform trial operation. Refer to **4.3.4 Setting for Holding Brakes** for wiring on a servomotor with brakes and parameter settings.

## 4.1.5 Position Control by Host Controller

As described above, be sure to separate the servomotor and machine before performing trial operation of the servomotor without a load. Refer to the following table, and check the servomotor operation and specifications in advance.



Reference from the Host Controller	Check Item	Check Method	Review Items
JOG Operation (Constant speed reference input from host controller)	Servomotor speed	Check servomotor speed as follows: <ul style="list-style-type: none"> <li>• Use the servomotor speed monitor (Un000) on the panel operator.</li> <li>• Run the servomotor at a low speed.</li> </ul> For example, input a reference speed of 60rpm, and check to see if the servomotor makes one revolution per second.	Check the parameter setting at Pn300 to see if reference speed gain is correct.
Simple positioning	Number of servomotor rotation	Input a reference equivalent to one servomotor rotation, and visually check to see if the shaft makes one revolution.	Check the parameter setting at Pn200 to see if the number of PG dividing pulses is correct.
Overtravel (P-OT and N-OT Used)	Whether the servomotor stops rotating when P-OT and N-OT signals are input.	Check to see if the servomotor stops when P-OT and N-OT signals are input during continuous servomotor operation.	Review P-OT and N-OT wiring if the servomotor does not stop.



## 4.2 Control Mode Selection

The control modes supported by the ProNet series servo drives are described below.

Parameter		Control Mode	Reference Section
Pn005	H. □□0□	<p><b>Speed Control (Analog voltage reference)</b></p> <p>Controls servomotor speed using analog voltage speed reference. Use in the following instances.</p> <ul style="list-style-type: none"> <li>• To control speed</li> <li>• For position control using the encoder feedback division output from the servo drive to form a position loop in the host controller.</li> </ul>	4.5
	H. □□1□	<p><b>Position Control (Pulse train reference)</b></p> <p>Controls the position of the servomotor using pulse train position reference. Controls the position with the number of input pulses, and controls the speed with the input pulse frequency. Use when positioning is required.</p>	4.6
	H. □□2□	<p><b>Torque Control (Analog voltage reference)</b></p> <p>Controls the servomotor's output torque with analog voltage torque reference. Use to output the required amount of torque for operations such as pressing.</p>	4.7
	H. □□3□	<p><b>Speed Control (contact reference) ↔ Speed Control (zero reference)</b></p> <p>Use the three input signals /P-CON, /P-CL and /N-CL to control the speed as set in advance in the servo drive. Three operating speeds can be set in the servo drive. (In this case, an analog reference is not necessary.)</p>	4.8
	H. □□4□ • • • H. □□E□	<p>These are switching modes for using the four control methods described above in combination. Select the control method switching mode that best suits the application.</p>	4.10

## 4.3 Setting Common Basic Functions

### 4.3.1 Setting the Servo ON Signal

This sets the servo ON signal (/S-ON) that determines whether the servomotor power is ON or OFF.

#### (1) Servo ON signal(/S-ON)

Type	Name	Connector Pin Number	Setting	Meaning
Input	/S-ON	CN1-14 (Factory setting)	ON(low level)	Servomotor power ON. Servomotor can be operated.
			OFF(high level)	Servomotor power OFF. Servomotor cannot be operated.

#### ■ Important

Always input the servo ON signal before inputting the input reference to start or stop the servomotor.

Do not input the input reference first and then use the /S-ON signal to start or stop. Doing so will degrade internal elements and may cause the servo drive to malfunction.

A parameter can be used to re-allocate the input connector number for the /S-ON signal. Refer to **3.2.2 I/O Signal Names and Functions**.

#### (2) Enabling/Disabling the Servo ON Signal

A parameter can be always used to set the servo ON condition. This eliminates the need to wire /S-ON, but care must be taken because the servo drive can operate as soon as the power is turned ON.

Parameter	Meaning
Pn000	b. □□□0 External S-ON signal enabled (Factory setting)
	b. □□□1 External S-ON signal disabled, the servomotor excitation signal is opened automatically after outputting the S-RDY signal.

After changing these parameters, turn OFF the main circuit and control power supplies, and then turn them ON again to enable the new settings.

### 4.3.2 Switching the Servomotor Rotation Direction

The rotation direction of the servomotor can be switched without changing the reference pulse to the servo drive or the reference voltage polarity.

This causes the rotation the servo motor shaft is rotating to change. The output signal polarity, such as the encoder pulse output and the analog monitor signal from the servo drive do not change.

The standard setting for “forward rotation” is counterclockwise as viewed from the servomotor load end.

Parameter	Name	Reference	
		Forward reference	Reverse reference
Pn001	b.□□□0 Standard setting (CCW=forward) (factory setting)		
	b.□□□1 Reverse rotation mode (CW=forward)		

The direction of P-OT and N-OT change. For Pn001=b.□□□0(standard setting), counterclockwise is P-OT. For Pn001=b.□□□1(reverse rotation mode), clockwise is P-OT.

### 4.3.3 Setting the Overtravel Limit Function

The overtravel limit function forces movable machine parts to stop if they exceed the allowable range of motion and turn ON a limit switch.

#### (1) Connecting the overtravel signal

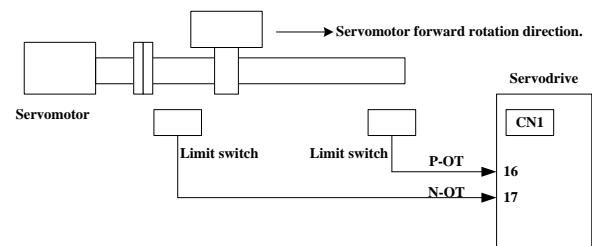
To use the overtravel function, connect the following overtravel limit switch to the corresponding pin number of servo drive CN1 connector correctly.

Type	Signal Name	Pin No.	Setting	Meaning
Input	P-OT	CN1-16 (factory setting)	ON(low level)	Forward rotation allowed. (Normal operation status.)
			OFF(high level)	Forward rotation prohibited. (Forward overtravel)
Input	N-OT	CN1-17 (factory setting)	ON(low level)	Reverse rotation (Normal operation status.)
			OFF(high level)	Reverse rotation prohibited. (Reverse overtravel)

Connect limit switches as shown below to prevent damage to the devices during linear motion.

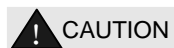
Rotation in the opposite direction is possible during overtravel.

For example, reverse rotation is possible during forward overtravel.



#### ■ Important

When using overtravel to stop the servomotor during position control, the position error pulses are present. A clear signal (CLR) input is required to clear the error pulses.



When using the servomotor on a vertical axis, the workpiece may fall in the overtravel condition.

To prevent this, always set the zero clamp after stopping with Pn004.0=5.

## (2) Enabling/Disabling the Overtravel Signal

A parameter can be set to disable the overtravel signal. If the parameter is set, there is no need to wire the overtravel input signal.

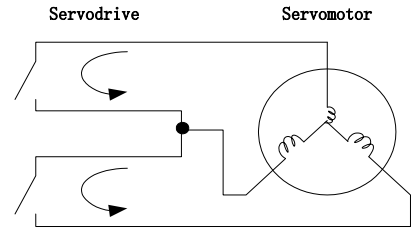
Parameter		Meaning
Pn000	b. □□0□	Inputs the forward rotation prohibited (P-OT) signal from CN1-16 (factory setting).
	b. □□1□	Disables the forward rotation prohibited (P-OT) signal. (Allows constant forward rotation.)
	b. □0□□	Inputs the reverse rotation prohibited (N-OT) signal from CN1-17. (factory setting)
	b. □1□□	Disables the reverse rotation prohibited (N-OT) signal. (Allows constant reverse rotation.)
<ul style="list-style-type: none"> <li>• Applicable control modes: Speed control, position control, and torque control.</li> <li>• After changing these parameters, turn OFF the main circuit and control power supplies, and then turn them ON again to enable the new settings.</li> <li>• A parameter can be used to re-allocate input connector number for the P-OT and N-OT signals. Refer to <b>3.2.2 I/O Signal Names and Functions</b>.</li> </ul>		

## (3) Selecting the Servomotor Stop Method

This is used to set the stop method when an overtravel(P-OT,N-OT)signal is input while the servomotor is operating.

Parameter	Stop Mode	Mode After Stopping	Meaning	
Pn004	H. □□□0	Stop by dynamic brake	Coast	Rapidly stops the servo motor by dynamic braking(DB), then places it into coast (power OFF) mode.
	H. □□□1	Coast to a stop		Stops the servo motor in the same way as when the servo is OFF (coast to a stop ), then places it into coast(power OFF) mode.
	H. □□□2	S-OFF /Overtravel	Coast	Stops the servomotor by dynamic braking (DB) when servo OFF, stops the servo motor by plug braking when overtravel, and then places it into coast (power OFF) mode.
	H. □□□3			Makes the servomotor coast to a stop state when servo OFF, stops the servomotor by plug braking when overtravel, and then places it into coast (power OFF) mode.
	H. □□□4		Zero Clamp	Stops the servomotor by dynamic braking (DB) when servo OFF, stops the servomotor by plug braking when overtravel, and then places it into zero clamp mode.
	H. □□□5			Makes the servomotor coast to a stop state when servo OFF, stops the servomotor by plug braking when overtravel, then places it into zero clamp mode.

- After changing these parameters, turn OFF the main circuit and control power supplies, and then turn them ON again to enable the new settings.
- Stop by dynamic brake: Stops by using the dynamic brake (short circuiting its electrical circuit).
- Coast to a stop: Stops naturally, with no brake, by using the friction resistance of the servomotor in operation.
- Plug braking: Stops by using plug braking limit torque.
- Zero Clamp Mode: A mode forms a position loop by using the position reference zero.



- Dynamic brake is an emergency stop function, and one of the general methods to cause a servomotor sudden stop.
- Dynamic brake suddenly stops a servomotor by shorting its electrical circuit.
- If the servomotor is frequently started and stopped by turning the power ON/OFF or using the servo ON signal(/S-ON), the DB circuit will also be repeatedly operated, degrading the servo drive's internal elements.
- Use the speed input reference and position reference to control the starting and the stopping of the servomotor.

#### (4)Setting the Stop Torque for Overtravel

<b>Pn405</b>	<b>Plug braking torque limit'</b>				
			Speed	Position	Torque
	<b>Setting Range</b>	<b>Setting Unit</b>	<b>Factory Setting</b>	<b>Setting Validation</b>	
	0~300	%	300	Immediately	

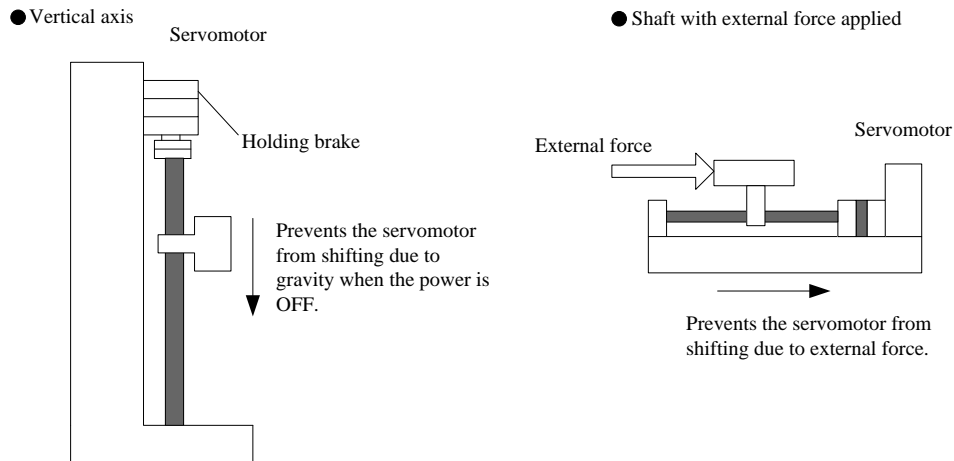
- This sets the stop torque for when the overtravel signal (P-OT,N-OT) is input.
- The setting unit is a percentage of the rated torque. (the rated torque is 100%)
- The value large enough to be the servomotor maximum torque, 300% is set as the factory setting for plug braking limit torque. However, the actual output plug braking limit torque is determined by servomotor ratings.

### 4.3.4 Setting for Holding Brakes

The holding brake is used when the servo drive controls a vertical axis.

A servomotor with the brake option helps prevent movable parts from shifting due to gravity when power is removed from the servo drive.

(Refer to 4.1.4 Trial Operation for Servomotor with Brakes.)

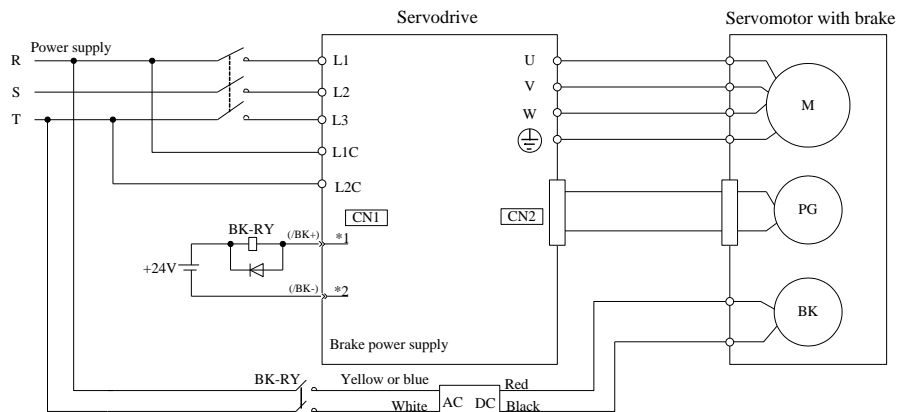


1. The servomotor with the built in brake, is a de-energization brake. It is used to hold the servomotor and cannot be used as a braking purposes. Use the holding brake only to hold a stopped servomotor.
2. When operating using only a speed loop, turn OFF the servo and set the input reference to 0V when the brake is applied.
3. When forming a position loop, do not use a mechanical brake while the servomotor is stopped because the servomotor enters servolock status.

#### (1) Wiring Example

Use the servo drive sequence output signal /BK and the brake power supply to form a brake ON/OFF circuit.

The following diagram shows a standard wiring example.



BK-RY: Brake control relay

1\*, 2\*: The output terminals allocated with Pn511.

(2) Brake interlock output

Type	Signal Name	Connector Pin Number	Setting	Meaning
Output	/BK	Must be allocated	ON(Low level)	Releases the brake.
			OFF(High level)	Applies the brake.

This output signal controls the brake and is used only for a servomotor with a brake. This output signal is not used with the factory setting. The output signal must be allocated by Pn511. It does not need to be connected for servomotor without a brake.

(3) Allocating Brake Interlock Output (/BK)

Brake interlock output (/BK) is not used with the factory setting. The output signal must be allocated.

Parameter		Connector Pin Number		Meaning
		+ Terminal	- Terminal	
Pn511	H. □□□4	CN1-11	CN1-12	The /BK signal is output from output terminal CN1-11,12.
Pn511	H. □□4□	CN1-5	CN1-6	The /BK signal is output from output terminal CN1-5,6.
Pn511	H. □4□□	CN1-9	CN1-10	The /BK signal is output from output terminal CN1-9,10.

■ Important

When set to the factory setting, the brake signal is invalid.

For the allocation of servo drive output signals other than /BK signal, refer to **3.2.2 I/O Signal Names and Functions**.

Parameter Pn511 description as following:

0	/COIN(/V-CMP)output
1	/TGON rotation detecting output
2	/S-RDY servo drive get ready output
3	/CLT torque limit output
4	/BK brake interlock output
5	/PGC encoder C pulse output
6	OT overtravel signal output
7	/RD servo enabled motor excitation output
8	/HOME home completion output
9	/TCR Torque Detection Output

Related parameter:

Parameter No.	Name	Unit	Setting Range	Default
Pn505	Servo ON waiting time	ms	-2000~2000	0
Pn506	Basic waiting flow	10ms	0~500	0
Pn507	Brake waiting speed	rpm	10~100	100
Pn508	Brake waiting time	10ms	10~100	50

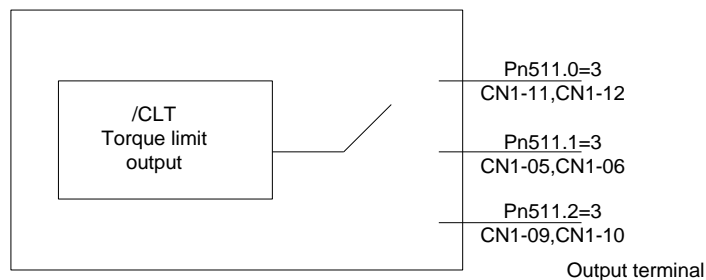


**(4) Setting the Brake ON/OFF Timing after the Servomotor Stops**

With the factory setting, the /BK signal is output at the same time as the servo is turned OFF. The servo OFF timing can be changed with a parameter.

Pn505	Servo ON waiting time			
	<b>Setting Range</b>	<b>Setting Unit</b>	<b>Factory Setting</b>	<b>Setting Validation</b>
	-2000~2000	ms	0	Immediately
Pn506	Basic waiting flow			
	<b>Setting Range</b>	<b>Setting Unit</b>	<b>Factory Setting</b>	<b>Setting Validation</b>
	0~500	10ms	0	Immediately

- When using the servomotor to control a vertical axis, the machine movable parts may shift slightly depending on the brake ON/ OFF timing due to gravity or an external force. By using this parameter to delay turning the servo ON/ OFF, this slight shift can be eliminated.
- For details on brake operation while the servomotor is operating, refer to (5) Setting the Brake ON/ OFF Timing When Servomotor Running in this section.



**■ Important**

- The servomotor will turn OFF immediately when an alarm occurs, regardless of the setting of this parameter.
- The machine movable part may shift due to gravity or external force during the time until the brake operates.

**(5) Setting the Brake ON/OFF Timing When Servomotor Running**

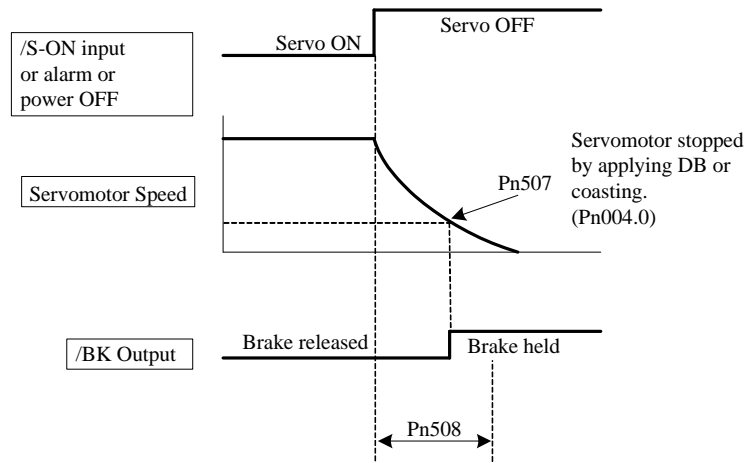
The following parameters can be used to change the /BK signal output conditions when a stop reference is output during servomotor operation due to the servo OFF or an alarm occurring.

Pn507	Brake Waiting Speed			Speed	Position	Torque
	<b>Setting Range</b>	<b>Setting Unit</b>	<b>Factory Setting</b>	<b>Setting Validation</b>		
	10~100	1rpm	100	Immediately		
Pn508	Brake Waiting Time			Speed	Position	Torque
	<b>Setting Range</b>	<b>Setting Unit</b>	<b>Factory Setting</b>	<b>Setting Validation</b>		
	10~100	10ms	50	Immediately		

**/BK Signal Output Conditions When Servomotor Running**

The /BK signal goes to high level (brake ON) when either of the following conditions is satisfied:

- When the servomotor speed falls below the level set in Pn507 after servo OFF.
- When the time set in Pn508 is exceeded after servo OFF.



**4.3.5 Instantaneous Power Loss Settings**

Determines whether to continue operation or turn the servo OFF when the power supply voltage to the servo drive main circuit is instantaneously interrupted.

Parameter		Signal Name and Meaning
Pn000	b. 0□□□	Continue operation when the power supply voltage to servo drive main circuit is instantaneously interrupted.
	b. 1□□□	An alarm occurs when the power supply voltage to servo drive main circuit is instantaneously interrupted.

## 4.4 Absolute Encoders

Absolute Encoder Type	Resolution	Output Range of Multiturn Data	Action when limit is exceeded
ProNet Series	16-bit/multiturn 17-bit/singleturn	-32768~+32767	<ul style="list-style-type: none"> <li>• When the upper limit (+32767) is exceeded in the forward direction, the multiturn data is -32768</li> <li>• When the lower limit (-32768) is exceeded in the reverse direction, the multiturn data is +32767.</li> </ul>

The absolute position can be read by the MODBUS protocol. In the actual control, the MODBUS protocol can read the initial position when the servomotor is stopped (S-OFF), then the real-time position during the servomotor is running can be found from the number of PG divided output pulses.

### 4.4.1 Selecting an Absolute Encoder

An absolute encoder can also be used as an incremental encoder.

Parameter		Meaning
Pn002	b. <input type="checkbox"/> 0 <input type="checkbox"/> <input type="checkbox"/> <input type="checkbox"/>	Use the absolute encoder as an absolute encoder. (Factory setting)
	b. <input type="checkbox"/> 1 <input type="checkbox"/> <input type="checkbox"/> <input type="checkbox"/>	Use the absolute encoder as an incremental encoder.

- The back-up battery is not required when using the absolute encoder as an incremental encoder.
- After changing these parameters, turn OFF the main circuit and control power supplies and then turn them ON again to enable the new settings.

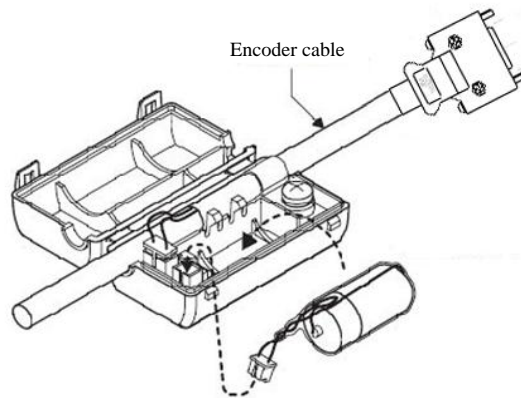
## 4.4.2 Handling Battery

In order for the absolute encoder to retain position data when the power is turned OFF, the data must be backed up by a battery.

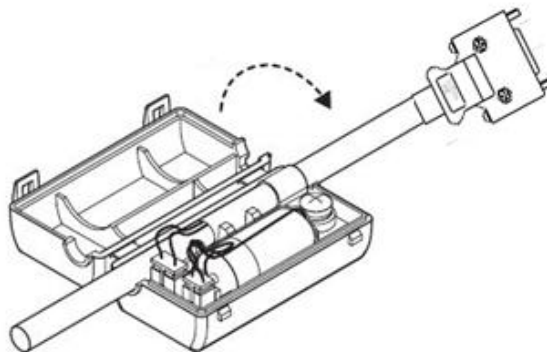
Please purchase the special cable and battery case made by Estun if an absolute encoder is used.

Install the battery to the encoder cable:

- A. Open the shell of the battery case.
- B. Install the battery according to the following diagram.



- C. Cover the shell of the battery case.



### 4.4.3 Replacing Battery

The servo drive will generate an absolute encoder battery alarm (A.48) when the battery voltage drops below about 3.1V.

■ Battery Replacement Procedure

1. Replace the battery with only the servo drive control power supply turned ON.
2. After replacing the battery, using the panel operator with utility function Fn011 to cancel the absolute encoder battery alarm (A.48).
3. Turn ON the servo drive power back again. If it operates without any problems, the battery replacement has been completed.

---

**Note:**

- The servo drive will generate an absolute encoder battery alarm (A.48) when the battery voltage drops below about 3.1V.
  - If an absolute encoder battery alarm (A.47) occurred, it means the battery voltage drops below about 2.5V, and the multiturn data is lost. Please reset the absolute encoder after changing the battery.
- 

### 4.4.4 Absolute Encoder Setup(Fn010、Fn011)

**Setting up the absolute encoder in the following cases.**

- When starting the machine for the first time, set Pn002.2 to 0.
- When an encoder error alarm (A.45~A.48, A.51) is generated.

Use the panel operator in the servo drive for setup.

**Note:**

1. Encoder setup operation is only possible when the servo is OFF.
2. If the absolute encoder alarms (A.45~A.48, A.51) are displayed, cancel the alarm by using the same method as the setup. They cannot be cancelled with the servo drive alarm reset input signal (/ALM-RST).
3. Any other alarms that monitor the inside of the encoder should be cancelled by turning OFF the power.

## 4.5 Operating Using Speed Control with Analog Reference

### 4.5.1 Setting Parameters

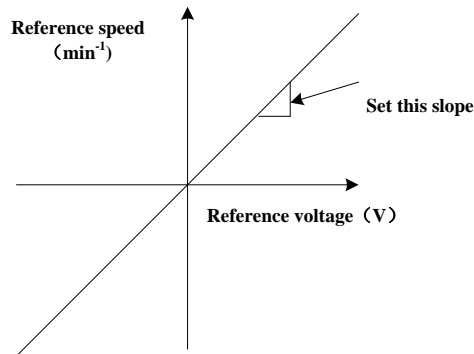
Parameter		Meaning
Pn005	H. □□0□	Control mode selection:Speed control(analog reference)(factory setting)

Pn300	Speed Reference Input Gain				
			<input type="text" value="Speed"/>	<input type="text" value="Position"/>	<input type="text" value="Torque"/>
	<b>Setting Range</b>	<b>Setting Unit</b>	<b>Factory Setting</b>	<b>Setting Validation</b>	
	0~3000	rpm/v	150	Immediately	

Sets the analog voltage level for the speed reference (V-REF) necessary to operate the servomotor at the rated speed.

■EXAMPLE

Pn300=150: 1V input is equivalent to the servomotor speed of 150rpm (factory setting).



## 4.5.2 Setting Input Signals

### (1) Speed Reference Input

Input the speed reference to the servo drive using the analog voltage reference to control the servomotor speed in proportion to the input voltage.

Type	Signal Name	Connector Pin Number	Name
Input	V-Ref+	CN1-1	Speed Reference Input
	V-Ref-	CN1-2	Speed Reference Input

The above inputs are used for speed control(analog voltage reference). (Pn005.1=0, 4, 7, 9, A) Pn300 is used to set the speed reference input gain.Refer to **4.5.1 Setting Parameters**.

### (2) Proportional Control Reference (/P-CON)

Type	Signal	Connector Pin Number	Setting	Meaning
Input	/P-CON	CN1-15	ON(low level)	Operates the servo drive with proportional control
			OFF(high level)	Operates the servo drive with proportional integral control.

/P-CON signal selects either the PI(proportional integral) or P(proportional) Speed Control Mode.

Switching to P control reduces servomotor rotation and minute vibrations due to speed reference input drift.

Input reference: At 0V, the servomotor rotation due to drift will be reduced, but servomotor rigidity (holding force) drops when the servomotor is stopped.

Note: A parameter can be used to reallocate the input connector number for the /P-CON signal. Refer to **3.2.2 I/O Signal Names and Functions**.

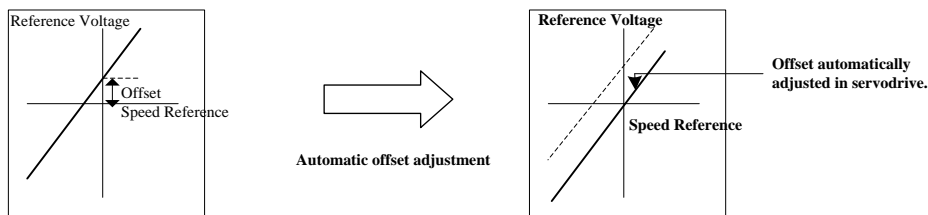
### 4.5.3 Adjusting Reference Offset

When using the speed control, the servomotor may rotate slowly even if 0V is specified as the analog voltage reference. This happens if the host controller or external circuit has a slight offset (in the unit of mV) in the reference voltage.

Adjustments can be done manually or automatically by using the panel operator. Refer to **5.2 Operation in Utility**

#### Function Mode.

The servo drive automatically adjusts the offset when the host controller or external circuit has the offset in the reference voltage.



After completion of the automatic adjustment, the amount of offset is stored in the servo drive. The amount of offset can be checked in the speed reference offset manual adjustment mode (Fn004). Refer to **4.5.3 (2) Manual Adjustment of the Speed Reference Offset.**

#### (1) Automatic Adjustment of the Speed Reference Offset

The automatic adjustment of reference offset (Fn003) cannot be used when a position loop has been formed with a host controller and the error pulse is changed to zero at the servomotor stop due to servolock. Use the speed reference offset manual adjustment (Fn004) described in the next section for a position loop.

The zero-clamp speed control function can be used to force the servomotor to stop while the zero speed reference is given. Refer to **4.5.7 Using the Zero Clamp Function.**

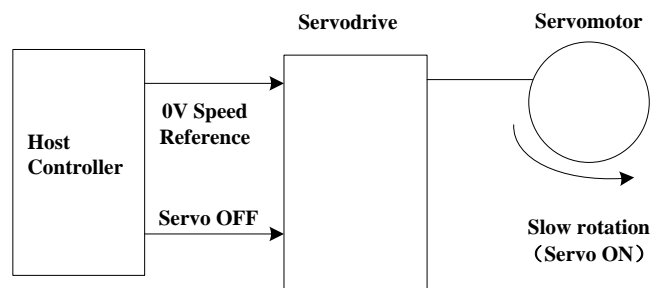
---

**Note:** The speed reference offset must be automatically adjusted with the servo OFF.

---

Adjust the speed reference offset automatically in the following procedure.

1. Turn OFF the servo drive and input the 0V reference voltage from the host controller or external circuit.



2. Press the MODE key to select the utility function mode.
3. Press the INC or DEC key to select parameter Fn003.

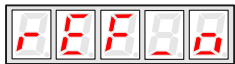
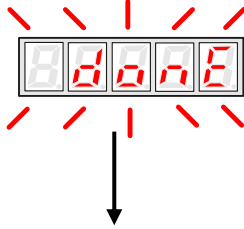




4. Press the ENTER key to enter into the speed reference offset automatic adjustment mode.



5. Press the MODE key for more than one second, the reference offset will be automatically adjusted.



7. Press ENTER key to return to the Fn003 display of the utility function mode.



8. Thus, the speed reference offset automatic adjustment is completed.

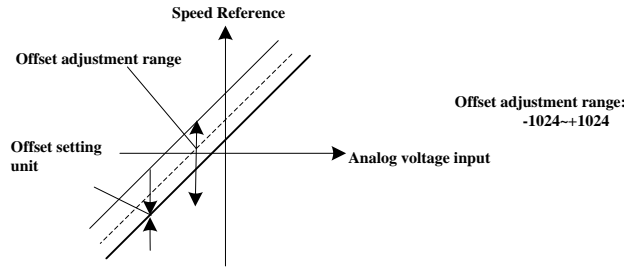
**(2) Manual Adjustment of the Speed Reference Offset**

Use the speed reference offset manual adjustment (Fn004) in the following situations:

- If a loop is formed with the host controller and the position error pulse is set to be zero when servolock is stopped.
- To deliberately set the offset to some value
- To check the offset data set in the speed reference offset automatic adjustment mode.

This function operates in the same way as the reference offset automatic adjustment mode (Fn003), except that the amount of offset is directly input during the adjustment.

The offset setting range and setting unit are as follows:



Adjust the speed reference offset manually in the following procedure.

1. Press the MODE key to select the utility function mode.
2. Press the INC or DEC key to select parameter Fn004.



3. Press the ENTER key to enter into the speed reference offset manual adjustment mode.



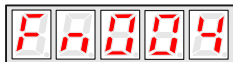
4. Turn ON the servo ON (/S-ON) signal. The display will be shown as below.



5. Press the ENTER key for one second to display the speed reference offset amount.



6. Press the INC or DEC key to adjust the amount of offset.
7. Press the ENTER key for one second to return to the display in step 4.
8. Press the ENTER key to return to the Fn004 display of the utility function mode.



9. Thus, the speed reference offset manual adjustment is completed.

### 4.5.4 Soft Start

The soft start function converts the stepwise speed reference inside the servo drive to a consistent rate of acceleration and deceleration.

Pn310 can be used to select the soft start form:

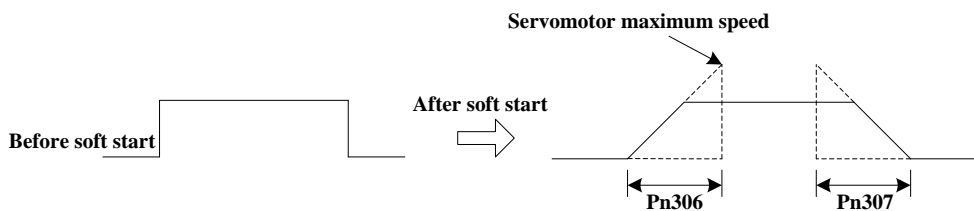
0: Slope; 1: S curve; 2: 1<sup>st</sup>-order filter; 3: 2<sup>nd</sup>-order filter

Pn306	Soft Start Acceleration Time			Speed
	<b>Setting Range</b>	<b>Setting Unit</b>	<b>Factory Setting</b>	<b>Setting Validation</b>
	0~10000	1ms	0	Immediately
Pn307	Soft Start Deceleration Time			Speed
	<b>Setting Range</b>	<b>Setting Unit</b>	<b>Factory Setting</b>	<b>Setting Validation</b>
	0~10000	1ms	0	Immediately

The soft start function enables smooth speed control when inputting a stepwise speed reference or when selecting internally set speeds. Set both Pn306 and Pn307 to "0" for normal speed control.

Set these parameters as follows:

- Pn306: The time interval from the time the servomotor starts until the servomotor maximum speed is reached.
- Pn307: The time interval from the time the servomotor is operating at the servomotor maximum speed until it stops.



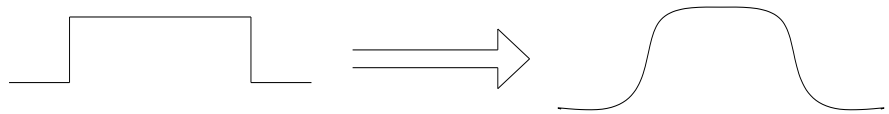
### 4.5.5 Speed Reference Filter Time Constant

Pn308	Speed Reference Filter Time Constant			Speed
	<b>Setting Range</b>	<b>Setting Unit</b>	<b>Factory Setting</b>	<b>Setting Validation</b>
	0~10000	1ms	0	Immediately

This smooths the speed reference by applying a 1<sup>st</sup>-order delay filter to the analog speed reference (V-REF) input. A value that is too large, however, will decrease response.

### 4.5.6 S-curve Risetime

Pn309	S-curve Risetime			Speed
	<b>Setting Range</b>	<b>Setting Unit</b>	<b>Factory Setting</b>	<b>Setting Validation</b>
	0~10000	1ms	0	Immediately

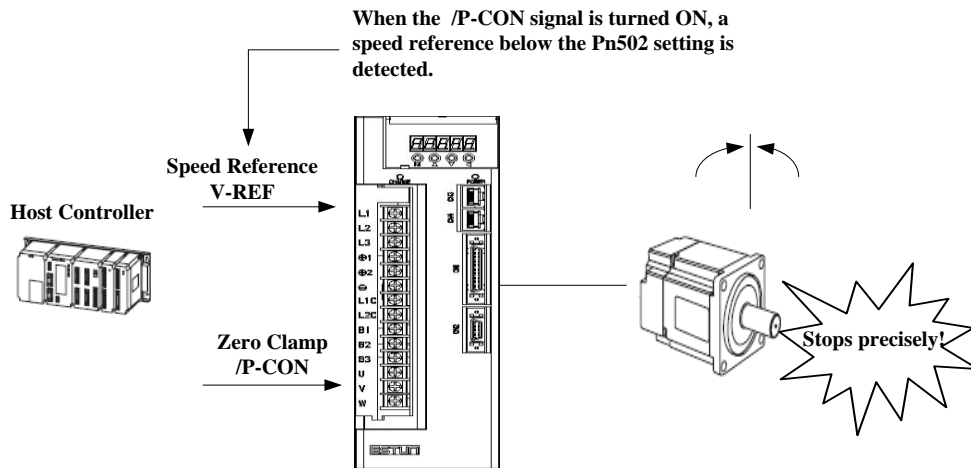


### 4.5.7 Using the Zero Clamp Function

#### (1) Zero Clamp Function

The zero clamp function is used for systems where the host controller does not form a position loop for the speed reference input. When the zero clamp signal (/P-CON) is ON, a position loop is formed inside the servo drive as soon as the input voltage of the speed reference (V-REF) drops below the servomotor zero clamp speed. The servomotor ignores the speed reference and quickly stops and locks the servomotor.

The servomotor is clamped within  $\pm 1$  pulse when the zero clamp function is turned ON, and will still return to the zero clamp position even if it is forcibly rotated by an external force.



(2) Parameter Setting

Parameter		Meaning
Pn005	H.□□A□	Control mode: Speed control(analog voltage reference) ↔ Zero Clamp

Zero Clamp Conditions:  
Zero clamp is performed with Pn005=H. □□A□ when the following two conditions are both satisfied:

- /P-CON is ON (low level)
- Speed reference (V-REF) drops below the setting in Pn502.

Pn502	Zero clamp speed			
				Speed
	Setting Range	Setting Unit	Factory Setting	Setting Validation
	0~3000	rpm	10	Immediately

Sets the servomotor speed at which the zero clamp is performed if zero clamp speed control(Pn005=H.□□A□) is selected. Even if this value is set higher than the maximum speed of the servomotor, the maximum speed will be used.

(3) Input Signal Setting

Type	Signal Name	Connector Pin Number	Setting	Meaning
Input	/P-CON	CN1-15	ON(low level)	Zero clamp function ON(enabled)
			OFF(high level)	Zero clamp function OFF(disabled)
	/ZCLAMP		ON(low level)	Zero clamp function ON(enabled)
			OFF(high level)	Zero clamp function OFF(disabled)

/P-CON and /ZCLAMP are the input signals to switch to the zero clamp function.

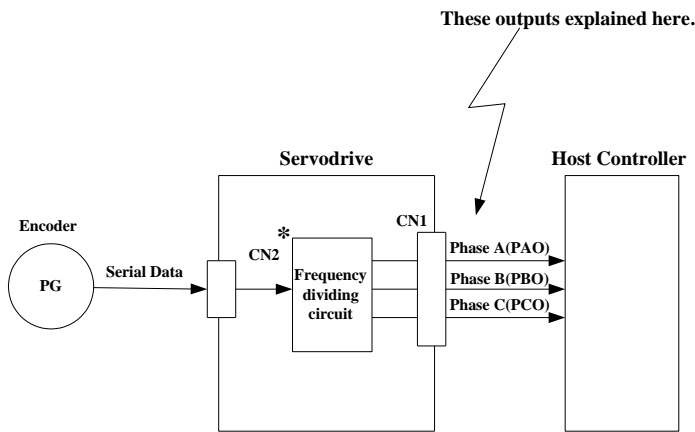
■ Important

In speed control (analog voltage reference) mode,when /ZCLAMP is allocated to an output terminal,zero clamp function is enabled.

### 4.5.8 Encoder Signal Output

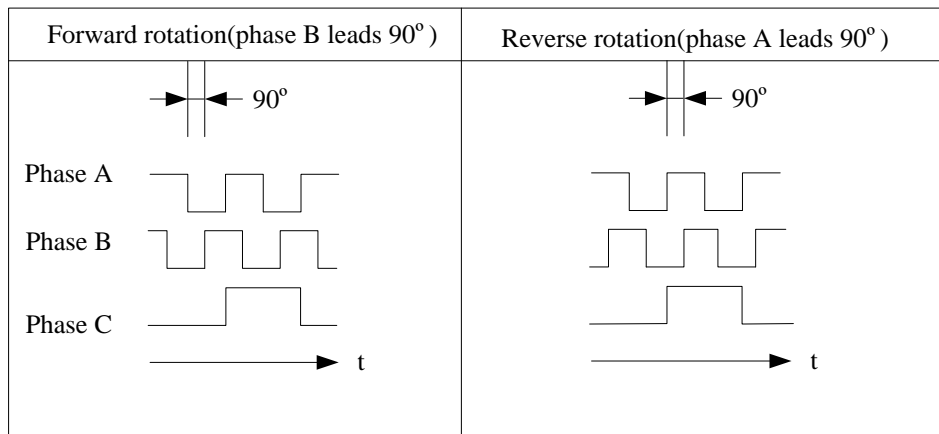
Encoder feedback pulses processed inside the servo drive can be output externally.

Type	Signal Name	Connector Pin Number	Name
Output	PAO	CN1-20	Encoder output phase A
	/PAO	CN1-21	Encoder output phase /A
Output	PBO	CN1-22	Encoder output phase B
	/PBO	CN1-23	Encoder output phase /B
Output	PCO	CN1-24	Encoder output phase C(zero-point pulse)
	/PCO	CN1-25	Encoder output phase /C(zero-point pulse)



\* The dividing output phase form is the same as the standard setting (Pn001.0=0) even if in reverse rotation mode (Pn001.0=1).

■ Output phase form



If the servomotor is not equipped with an absolute encoder, the servomotor needs two full rotations before using the servo drive's Phase-C pulse output as the zero point reference.

**Dividing:** Dividing means that the divider converts data into the pulse density (Pn200) based on the pulse data of the encoder installed on the servomotor, and outputs it. The setting unit is number of pulses/revolution.

■ Pulse Dividing Ratio Setting

Pn200	PG Dividing Ratio				Speed	Position	Torque
	<b>Setting Range</b>	<b>Setting Unit</b>	<b>Factory Setting</b>	<b>Setting Validation</b>			
	16~16384 (Pn840.0=3/4/5/7/8) 1~2500(Pn840.0=6)	Puls	16384 (Pn840.0=3/4/5/7/8) 2500(Pn840.0=6)	After restart			

Set the number of pulses for PG output signals (PAO,/PAO,PBO,/PBO) externally from the servo drive.  
Feedback pulses from the encoder per revolution are divided inside the servo drive by the number set in Pn200 before being output. (Set according to the system specifications of the machine or host controller.)  
The setting range varies with the number of encoder pulses for the servomotor used.

■ Output Example  
Pn200=16(when 16 pulses are output per revolution)

**Preset value: 16**

### 4.5.9 Speed coincidence output

The speed coincidence (/V-CMP) output signal is output when the actual servomotor speed during speed control is the same as the speed reference input. The host controller uses the signal as an interlock.

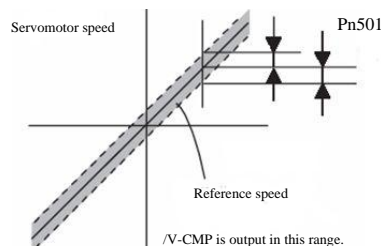
Type	Signal Name	Connector Pin Number	Setting	Meaning
Output	/V-CMP(/COIN)	CN1-11, 12 (factory setting)	ON(low level)	Speed coincides.
			OFF(high level)	Speed does not coincide.

Pn501	Coincidence Difference				Speed
	<b>Setting Range</b>	<b>Setting Unit</b>	<b>Factory Setting</b>	<b>Setting Validation</b>	
	0~100	rpm	10	Immediately	

The /V-CMP signal is output when the difference between the speed reference and actual servomotor speed is less than Pn501.

■ Example

The /V-CMP signal turns ON at 1900 to 2100rpm if the Pn501 parameter is set to 100 and the reference speed is 2000rpm.



■ Note

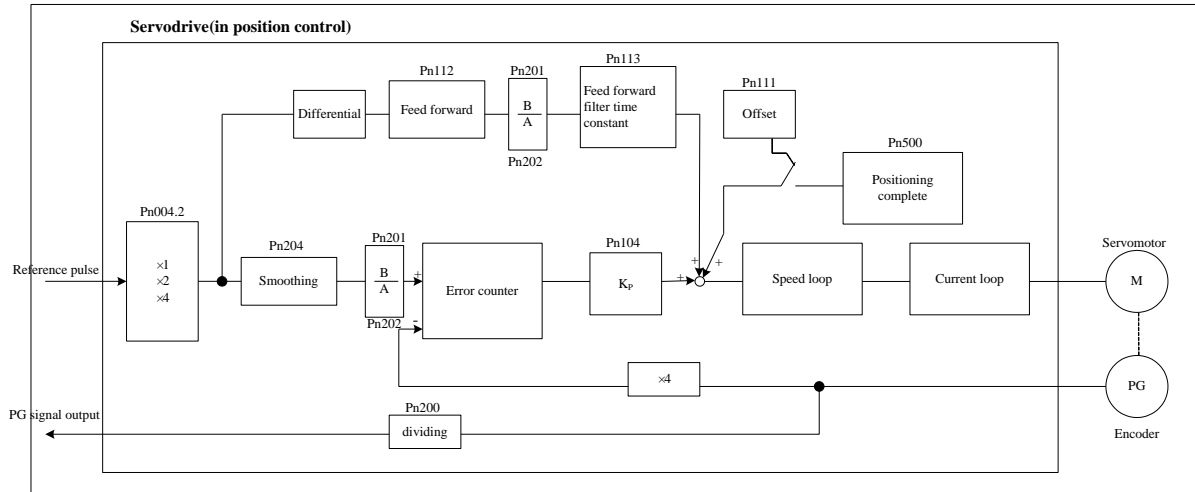
This pin outputs the /COIN signal in position control mode, and the /V-CMP signal in speed control mode.

## 4.6 Operating Using Position Control

Set the following parameters for position control using pulse trains.

Parameter		Meaning
Pn005	H. □□1□	Control mode selection: position control (pulse train reference)

A block diagram for position control is shown as below.



### 4.6.1 Basic Setting in Position Control

#### (1) Setting a reference pulse sign

Type	Signal Name	Connector Pin Number	Name
Input	PULS	CN1-30	Reference pulse input
	/PULS	CN1-31	Reference pulse input
	SIGN	CN1-32	Reference sign input
	/SIGN	CN1-33	Reference sign input

#### (2) Setting reference input filter for open collector signal

Pn006	0□□□	When pulse is difference input, servo receiving pulse frequency $\leq 4M$
	1□□□	When pulse is difference input, servo receiving pulse frequency $\leq 650K$
	2□□□	When pulse is difference input, servo receiving pulse frequency $\leq 150K$



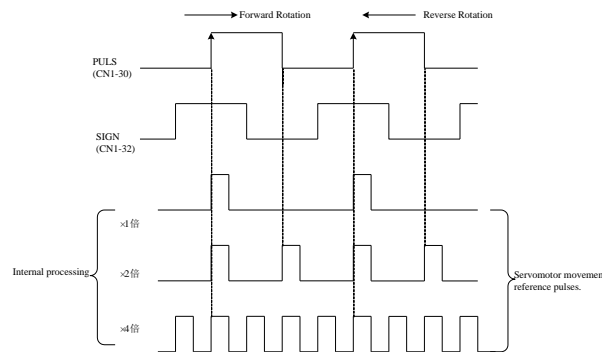
**(3) Setting a Reference Pulse Form**

Set the input form for the servo drive using parameter Pn004.2 according to the host controller specifications.

Parameter		Reference Pulse Form	Input Pulse Multiplier	Forward Rotation Reference	Reverse Rotation Reference
Pn004	H. 0000	Sign+pulse train (positive logic) (factory setting)	—		
	H. 0100	CW+CCW (positive logic)	—		
	H. 0200	Two-phase pulse train with 90° phase differential (positive logic)	×1		
	H. 0300		×2		
	H. 0400		×4		

■ Note:

The input pulse multiplier can be set for the two-phase pulse train with 90° phase differential reference pulse form.



**(4) Inverse PULS and SIGN reference**

Pn004	0000	Do not invert PULS reference and SIGN reference
	1000	Do not invert PULS reference; Invert SIGN reference
	2000	Invert PULS reference; Do not invert SIGN reference
	3000	Invert PULS reference and SIGN reference

**(5)Reference Pulse Input Signal Timing**

Reference pulse signal form	Electrical specifications	Remarks
Sign+pulse train input (SIGN+PULS signal) Maximum reference frequency: 500kpps (For open-collector output: 200kpps)	<p> <math>t_1, t_2=0.1\mu s</math>  <math>t_3, t_7=0.1\mu s</math>  <math>t_4, t_5, t_6=3\mu s</math>  <math>t=1.0\mu s</math>  <math>(t/T) \times 100 = 50\%</math> </p>	SIGN H=forward reference L=reverse reference
CW pulse+CCW pulse Maximum reference frequency:500kpps (For open-collector output: 200kpps)	<p> <math>t_1, t_2=0.1\mu s</math>  <math>t_3&gt;3\mu s</math>  <math>t=1.0\mu s</math>  <math>(t/T) \times 100 = 50\%</math> </p>	
Two-phase pulse train with 90° phase differential (phase A +B) Maximum reference frequency: x1 input pulse multiplier: 500kpps x2 input pulse multiplier: 400kpps x4 input pulse multiplier: 200kpps	<p> <math>t_1, t_2=0.1\mu s</math>  <math>t=1.0\mu s</math>  <math>(t/T) \times 100 = 50\%</math> </p> <p>                     Forward reference: Phase B leads A by 90°                      Reverse reference: Phase B lags B by 90°                 </p>	A parameter Pn004.2 can be used to switch of the input pulse multiplier mode.

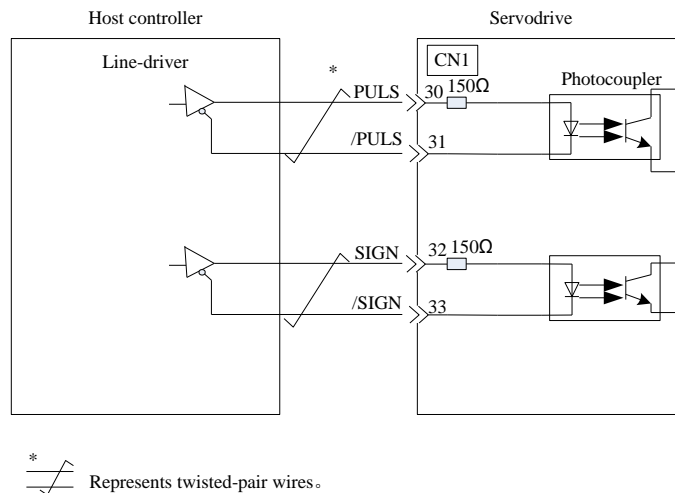
**(6)Connection Example**

The pulse train output form from the host controller corresponds to the following:

- Line-driver Output
- +24V Open-collector output
- +12V/+5V Open-collector output

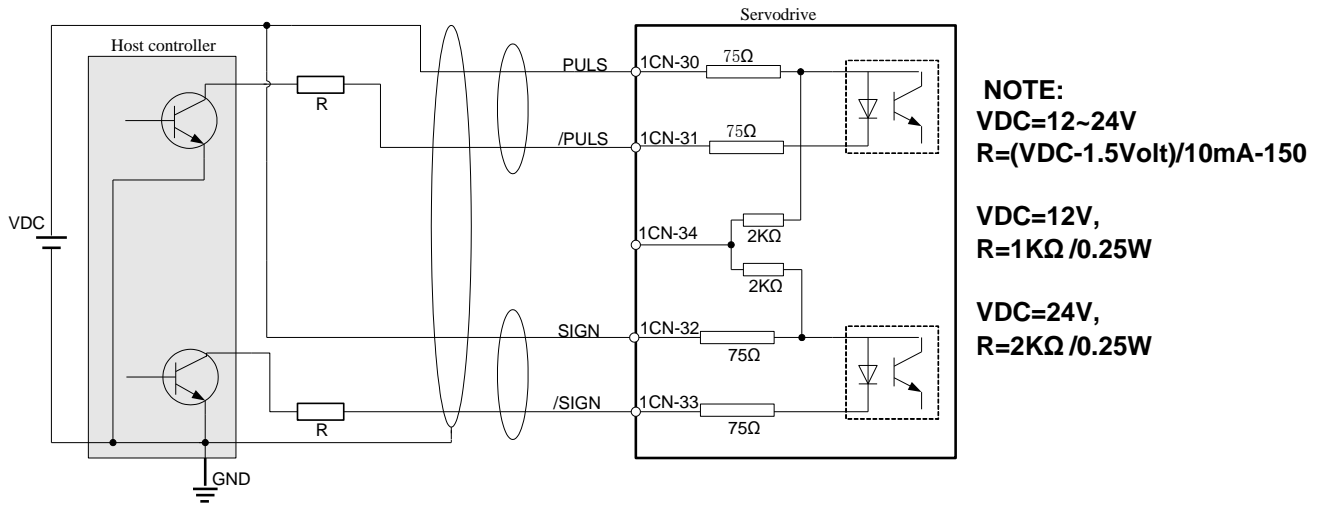
(a)Connection Example for Line-driver Output

Applicable line driver: SN75174 manufactured by TI or MC3487 or the equivalent.

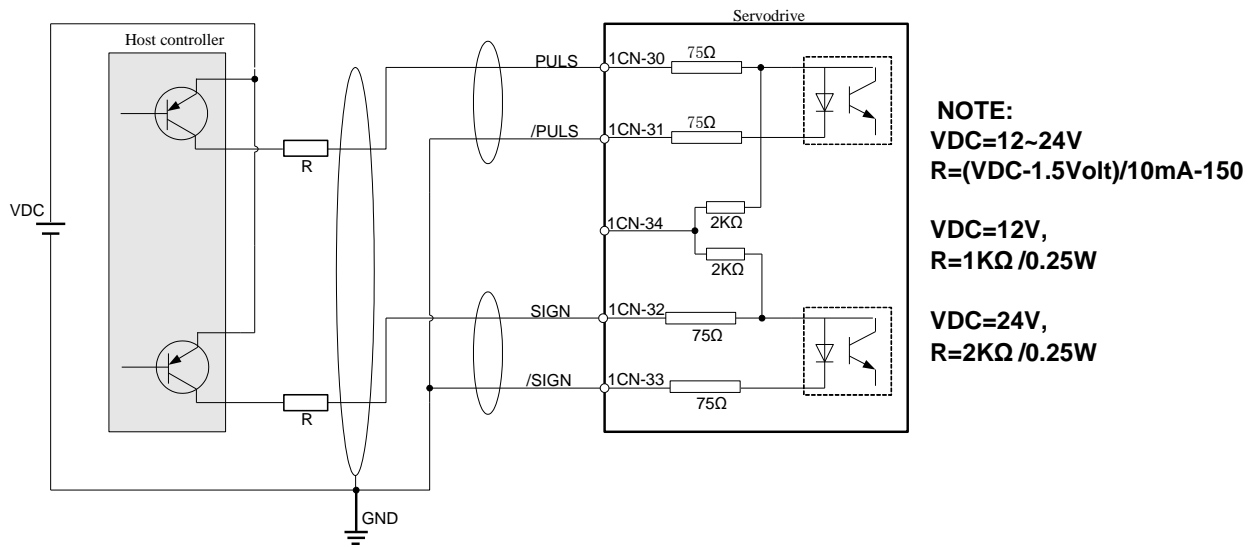


(b) Connection Example for Open-Collector Gate Output

■ NPN OC GATE OUTPUT



■ PNP OC GATE OUTPUT



**Note:** When the host controller is applied by open-collector signal output, the input signal noise margin lowers. When a position error caused by the noise occurs, set the parameter Pn006.3.

## 4.6.2 Setting the Clear Signal

### (1) Setting the Clear Signal

Type	Sign Name	Connector Pin Numbe	Function
Input	/CLR	1CN-40	error counter clear

When the /CLR signal is set to low level, clear error counter:

- The error counter inside the servo drive is set to "0"
- Position loop operation is disabled.

### (2) Setting the Clear Signal Mode

In position control mode, pulses will be still presented in the servo drive when servo OFF, thus it should be cleared when servo drive is turned ON. Setting Pn004 to choose whether clearing the pulses automatically when servo OFF.

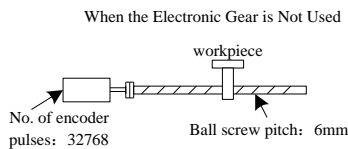
Pn004	<input type="checkbox"/> <input type="checkbox"/> <input type="checkbox"/> <input type="checkbox"/>	Clear the error pulse when S-OFF, do not when overtravel.
	<input type="checkbox"/> <input type="checkbox"/> <input type="checkbox"/> <input type="checkbox"/>	Do not clear the error pulse.
	<input type="checkbox"/> <input type="checkbox"/> <input type="checkbox"/> <input type="checkbox"/>	Clear the error pulse when S-OFF or overtravel (except for zero clamp)

## 4.6.3 Setting the Electronic Gear

### (1) Electronic Gear

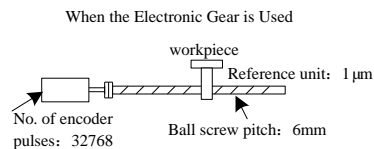
The electronic gear enables the workpiece travel distance per input reference pulse from the host controller to be set to any value.

One reference pulse from the host controller, i.e., the minimum position data unit, is called a reference unit.



To move a workpiece 10mm :

One revolution is 6mm. Therefore  $10 \div 6 = 1.6666$  revolutions.  
 $32768 \times 4$  pulses is one revolution.  
 Therefore,  $1.6666 \times 32768 \times 4 = 218445$  pulses. 218445 pulses are input as reference pulses.  
 The equation must be calculated at the host controller.



To move a workpiece 10mm using reference units:

The reference unit is 1µm. Therefore, to move the workpiece 10mm (10000µm), 1 pulse = 1µm, so  $10000 / 1 = 10000$  pulses. Input 10000 pulses per 10mm of workpiece movement.

(2) Related Parameters

Pn009	<input type="checkbox"/> 0 <input type="checkbox"/> <input type="checkbox"/>	Use 16 bit electronic gear parameter		
	<input type="checkbox"/> 1 <input type="checkbox"/> <input type="checkbox"/>	Use 32 bit electronic gear parameter		
Pn201	16 Bit Electronic Gear Ratio (Numerator)			
	<b>Setting Range</b>	<b>Setting Unit</b>	<b>Factory Setting</b>	<b>Setting Validation</b>
	1~65535	—	1	After restart
Pn202	16 Bit Electronic Gear Ratio (Denominator)			
	<b>Setting Range</b>	<b>Setting Unit</b>	<b>Factory Setting</b>	<b>Setting Validation</b>
	1~65535	—	1	After restart
Pn705	32 Bit Electronic Gear Ratio (Numerator,H)			
	<b>Setting Range</b>	<b>Setting Unit</b>	<b>Factory Setting</b>	<b>Setting Validation</b>
	1~9999	10000	0	After restart
Pn706	32 Bit Electronic Gear Ratio (Numerator,L)			
	<b>Setting Range</b>	<b>Setting Unit</b>	<b>Factory Setting</b>	<b>Setting Validation</b>
	1~9999	1	1	After restart
Pn707	32 Bit Electronic Gear Ratio (Denominator,H)			
	<b>Setting Range</b>	<b>Setting Unit</b>	<b>Factory Setting</b>	<b>Setting Validation</b>
	1~9999	10000	0	After restart
Pn708	32 Bit Electronic Gear Ratio (Denominator,L)			
	<b>Setting Range</b>	<b>Setting Unit</b>	<b>Factory Setting</b>	<b>Setting Validation</b>
	1~9999	1	1	After restart

The deceleration ratio of the servomotor and the load shaft is given as n/m where m is the rotation of the servomotor and n is the rotation of the load shaft.

Electronic gear ratio: 
$$\frac{B}{A} = \frac{Pn201}{Pn202}$$

$$= \frac{\text{No. of encoder pulses} \times 4}{\text{Travel distance per load shaft revolution (reference units)}} \times \frac{m}{n}$$

• When 32 bit electronic gear function is enabled, 
$$\frac{B}{A} = \frac{Pn705 \times 10000 + Pn706}{Pn707 \times 10000 + Pn708}$$

• If the ratio is outside the setting range, reduce the fraction (both numerator and denominator) until you obtain integers within the range.

• Be careful not to change the electronic gear ratio (B/A).

■ Important

- Electronic gear ratio setting range:  $0.01 \leq \text{electronic gear ratio}(B/A) \leq 100$
- If the electronic gear ratio is outside this range, the servo drive will not operate properly. In this case, modify the load configuration or reference unit.

(3) Procedure for Setting the Electronic Gear Ratio

Use the following procedure to set the electronic gear ratio.

Step	Operation	Description
1	Check machine specifications.	Check the deceleration ratio, ball screw pitch and pulley diameter.

2	Check the number of encoder pulses.	Check the number of encoder pulses for the servomotor used.
3	Determine the reference unit used.	Determine the reference unit from the host controller, considering the machine specifications and positioning accuracy.
4	Calculate the travel distance per load shaft revolution.	Calculate the number of reference units necessary to turn the load shaft one revolution based on the previously determined reference units.s
5	Calculate the electronic gear ratio.	Use the electronic gear ratio equation to calculate the ratio (B/A).
6	Set parameters.	Set parameters using the calculated values.

**(4)Electronic Gear Ratio Setting Examples**

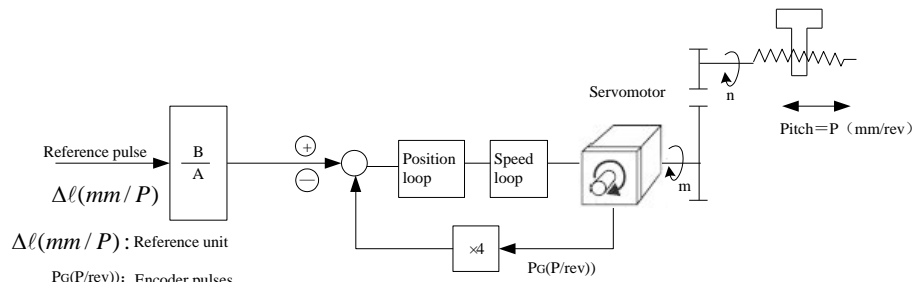
The following examples show electronic gear ratio settings for different load configurations.

Step	Operation	Load Configuration					
		Ball Screw	Disc Table	Belt and Pulley			
		<p>Reference unit: 0.001mm Load shaft 17-bit encoder Ball screw pitch: 6mm</p>	<p>Reference unit: 0.1° Deceleration ratio: 3: 1 Load shaft 17-bit encoder</p>	<p>Reference unit: 0.01mm Load shaft Deceleration ratio: 2: 1 Pulley diameter: F 100mm 17-bit encoder</p>			
1	Check machine specifications.	Ball screw pitch:6mm Deceleration ratio:1/1	Rotation angle per revolution:360° Deceleration ratio:3/1	Pulley diameter:100 mm (pulley circumference:314 mm) Deceleration ratio:2/1			
2	Encoder	17-bit:32768P/R	17-bit:32768P/R	17-bit:32768P/R			
3	Determine the reference unit used	1 reference unit: 0.001mm(1μm)	1 reference unit:0.1°	1 reference unit:0.01mm			
4	Calculate the travel distance per load shaft revolution	6mm/0.001mm=6000	360°/0.1°=3600	314mm/0.01mm=31400			
5	Calculate the electronic gear ratio	$\frac{B}{A} = \frac{32768 \times 4}{6000} \times \frac{1}{1}$	$\frac{B}{A} = \frac{32768 \times 4}{3600} \times \frac{3}{1}$	$\frac{B}{A} = \frac{32768 \times 4}{31400} \times \frac{2}{1}$			
6	Set parameters	Pn201	131072	Pn201	393216	Pn201	262144
		Pn202	6000	Pn202	3600	Pn202	31400
7	Final result	Pn201	32768	Pn201	32768	Pn201	32768
		Pn202	1500	Pn202	300	Pn202	3925

• Reduce the fraction (both numerator and denominator) if the calculated result will not be within the setting range.

- For example, reduce the above numerators and denominators by four or other numbers to obtain the final results in step 7 and complete the settings.

**(5) Electronic Gear Ratio Equation**



$\Delta \ell(\text{mm} / P)$  : Reference unit  
 $P_G(\text{P}/\text{rev})$ : Encoder pulses  
 $P$  (mm/rev) : Ball screw pitch  
 $\frac{m}{n}$  : Deceleration ratio

$$\frac{n \times p}{\Delta \ell} \times \left(\frac{B}{A}\right) = 4 \times P_G \times m$$

$$\left(\frac{B}{A}\right) = \frac{4 \times P_G \times m \times \Delta \ell}{n \times p} = \frac{4 \times P_G}{\Delta \ell} \times \frac{m}{n}$$

Set A and B with the following parameters:

**A** : Pn202    **B** : Pn201

## 4.6.4 Smoothing

A filter can be applied in the servo drive to a constant-frequency reference pulse.

### (1) Selecting a Position Reference Filter

Parameter	Description
Pn205	0: 1 <sup>st</sup> -order filter
	1: 2 <sup>nd</sup> -order filter

\* After changing the parameter, turn OFF the power once and turn it ON again to enable the new setting.

### (2) Filter-related Parameters

Pn204	Position Reference Acceleration/Deceleration Time Constant				Position
	<b>Setting Range</b>	<b>Setting Unit</b>	<b>Factory Setting</b>	<b>Setting Validation</b>	
	0~32767	0.1ms	0	Immediately	
<p>■ Important</p> <p>When the position reference acceleration/deceleration time constant (Pn204) is changed, a value with no reference pulse input and a position error of 0 will be enabled. To ensure that the setting value is correctly reflected, stop the reference pulse from the host controller and input the clear signal (CLR), or turn OFF to clear the error.</p> <p>This function provides smooth servomotor operation in the following cases.</p> <ul style="list-style-type: none"> <li>• When the host controller that outputs a reference that cannot perform acceleration/deceleration processing.</li> <li>• When the reference pulse frequency is too low.</li> <li>• When the reference electronic gear ratio is too high (i.e., 10x or more)</li> </ul>					

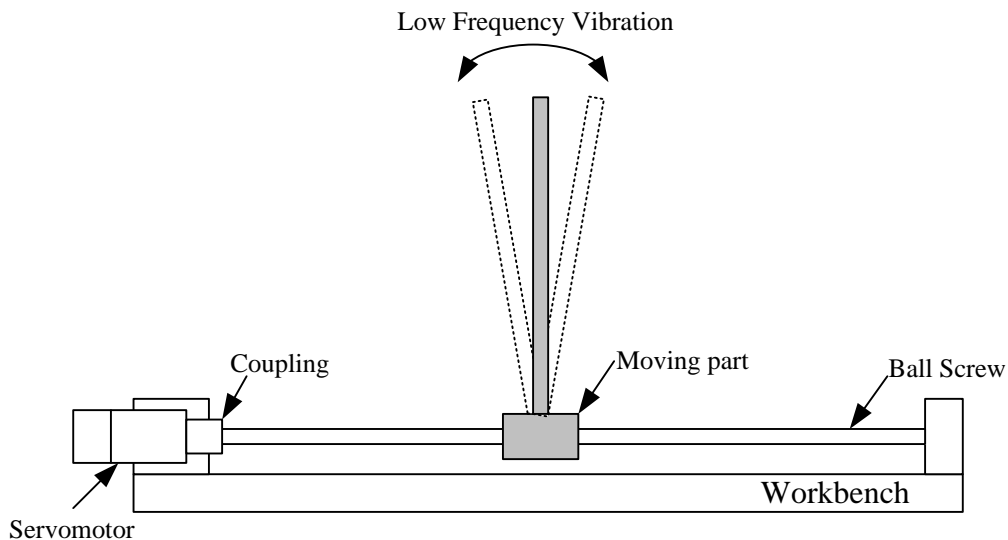


## 4.6.5 Low Frequency Vibration Suppression

### (1) Note:

For the low rigidity load, low frequency vibration will occur continually at the front end of the load during fast acceleration or fast deceleration. The vibration may delay positioning time and affect the productive efficiency.

The function of low frequency vibration suppression is embedded in ProNet series servo drives by calculating the load position and compensating.



### (2) Application:

Low frequency vibration suppression function is enabled in both speed control mode and position control mode.

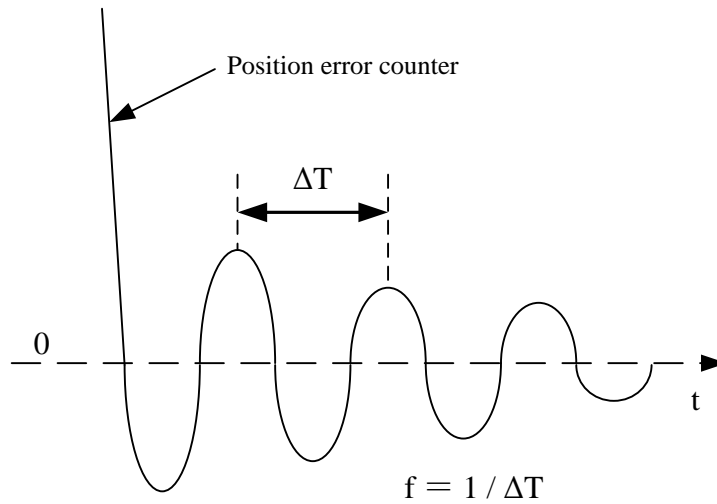
Low frequency vibration suppression function is disabled or can not reach the expected effect in the following conditions.

- Vibration is picked up due to an external force.
- Vibration frequency is between 5.0Hz to 50.0Hz.
- There is mechanical clearance at the mechanical connection part.
- The time for movement is less than one vibration period.

### (3) How to operate:

#### ■ Measuring Vibration frequency

Write the frequency data measured (unit:0.1Hz) directly to Parameter Pn411, if the vibration frequency can be measured by an instrument (such as a laser interferometer).And it also can be measured indirectly by communication software ESView or FFT analysis function.



■ Related Parameters

Parameter		Meaning
Pn006	H. <input type="checkbox"/> 0 <input type="checkbox"/> <input type="checkbox"/> <input type="checkbox"/>	0:Low frequency vibration suppression function disabled
	H. <input type="checkbox"/> 1 <input type="checkbox"/> <input type="checkbox"/> <input type="checkbox"/>	1:Low frequency vibration suppression function enabled

Pn411	<b>Low frequency vibration frequency</b>		<input type="checkbox"/> Speed	<input type="checkbox"/> Position
	<b>Setting Range</b>	<b>Setting Unit</b>	<b>Factory Setting</b>	<b>Setting Validation</b>
	50~500	0.1Hz	100	Immediately
Pn412	<b>Low frequency vibration damp</b>		<input type="checkbox"/> Speed	<input type="checkbox"/> Position
	<b>Setting Range</b>	<b>Setting Unit</b>	<b>Factory Setting</b>	<b>Setting Validation</b>
	0~200	—	25	Immediately

- Writing the frequency data to parameter Pn411 can adjust Pn411 slightly to obtain the best suppression effect.
- If the servomotor stopped with continuous vibration, Pn412(Do not change in general) should be increased properly.
- Parameter Pn411 and Pn412 are enabled when Pn006.2=1 (Setting validation: after restart).

## 4.6.6 Positioning Completion Output Signal

This signal indicates that servomotor movement has been completed during position control. Use the signal as an interlock to confirm that positioning has been completed at the host controller.

Type	Signal Name	Connector Pin Number	Setting	Meaning
Output	/COIN	CN1-11,CN1-12 (Factory setting)	ON (low level)	Positioning has been completed.
			OFF (high level)	Positioning is not completed.

- This output signal can be allocated to an output terminal with parameter Pn511. Refer to **3.2.2 I/O Signal Names and Functions**.

- The factory setting is allocated to CN1-11,12.

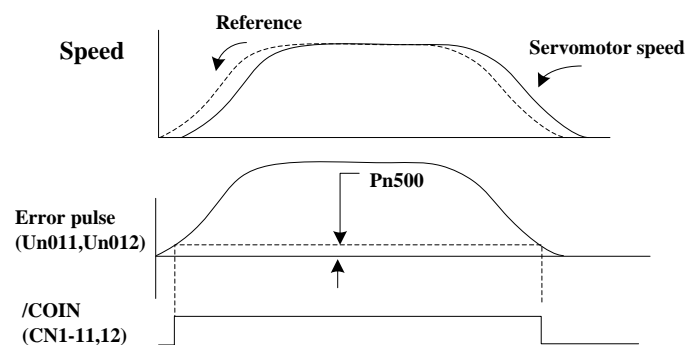
Pn500	Positioning Error			Position
	<b>Setting Range</b>	<b>Setting Unit</b>	<b>Factory Setting</b>	<b>Setting Validation</b>
	0~5000	Puls	100	Immediately
Pn520	Position complete time			Position
	<b>Setting Range</b>	<b>Setting Unit</b>	<b>Factory Setting</b>	<b>Setting Validation</b>
	0~60000	0.1ms	500	Immediately

- The positioning completion (/COIN) signal is output when the difference (position error pulse) between the number of reference pulses output by the host controller and the travel distance of the servomotor is less than the value set in this parameter and the stabilization time is more than the value of Pn520.

- Set the number of error pulses in reference unit (the number of input pulses defined using the electronic gear).

- Too large a value at this parameter may output only a small error during low-speed operation that will cause the /COIN signal to be output continuously.

- The positioning error setting has no effect on final positioning accuracy.



■ Note

- /COIN is a position control signal.

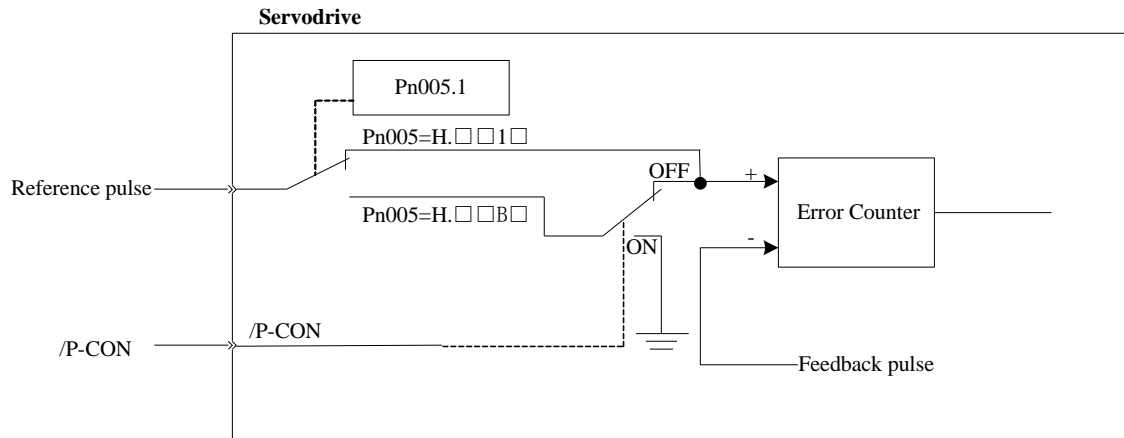
- This signal is used for the speed coincidence output /V-CMP for speed control, and it always OFF (high level) for torque control.

## 4.6.7 Reference Pulse Inhibit Function (INHIBIT)

### (1)Description

This function inhibits the servo drive from counting input pulses during position control.

The servomotor remains locked (clamped) while pulses are inhibited.



### (2)Setting Parameters

Parameter	Meaning
Pn005	H. □ □ B □ Control mode selection: position control(pulse train reference) ⇔ INHIBIT
<p>■ Inhibit(INHIBIT) switching condition</p> <ul style="list-style-type: none"> <li>• /P-CON signal ON (low level)</li> </ul>	
<p>Input reference pulses are not counted during this period.</p> <p><math>t_1, t_2 \leq 0.5\text{ms}</math></p>	

### (3)Setting Input Signals

Type	Signal Name	Connector Pin Number	Setting	Meaning
Input	/P-CON	CN1-15	ON(low level)	Turns the INHIBIT function ON. (Inhibit the servo drive from counting reference pulses)
			OFF(high level)	Turns the INHIBIT function OFF. (Counts reference pulses.)

## 4.6.8 Position Control (contact reference)

Position control under contact reference (parameter Pn005.1=C). In this mode, servo drive can position with a single axes without a host controller.

There are 16 position control points with each being able to set move distance, running speed, constants for position reference filter time, and the stop time when positioning completed. Two speeds (1. speed moving toward distance switch "speed of looking for reference point". 2. Speed moving away from distance switch "moving speed.") of reference points could be set as:

Two position modes: 1. Absolute position mode 2. Relative position mode

Two running modes: 1. Circling mode 2. Non-circling mode

Two step switching method: 1. Delay step switching 2. /P-CON signal switching

Method of looking for reference points: 1. Forward direction 2. Reverse direction

### ■Adjusting offset

Offset of each points has two correspondent parameters: one unit of the parameter is 【x 10000 reference pulse】 and the other is 【x 1 reference pulse】. Setting range of both parameters is: (-9999----+9999), while offset value equals sum of those two values.

For example:

No.0 offset correspond to parameter Pn600 【x 10000 reference pulse】 and Pn601 【x 1 reference pulse】. Set Pn600 = 100, Pn601=-100.

$$\begin{aligned}\text{No.0 offset value} &= \text{Pn600} \times 10000 \text{ reference pulse} + \text{Pn601} \times 1 \text{ reference pulse} \\ &= 100 \times 10000 \text{ reference pulse} + (-100) \times 1 \text{ reference pulse} \\ &= 999900 \text{ reference pulse}\end{aligned}$$

With the same principle, we can conclude: in order to get the same results, we also can set Pn600 = 99 and Pn601 = 9900.

Thus, we can see when the two parameters are not zero; we can get same result by two ways: one is to set the two parameters both negative or both positive, or one negative the other positive.

### ■Speed

Speed mentioned here refers to the steady speed during which the motor is running, which is similar to the pulse frequency given from the external pulse reference in position control. However, this speed has nothing to do with the electronic gear; it is the actual speed of the motor.

### ■Position reference filter time constant

Same as position reference filter time constant Pn204 in common position control.

### ■Time for change steps after desired position reached

Apply internal delay to change steps to a valid value in parameter Pn681.1.

Time for change steps outputs from positioning completed signal CON/, from Servo ON, or from the time when reference point is found till the Servo performs the program to control position of the point. Such period of time depends on step changing time required by a point number among start point in program.

When running point control program, if error counter is set as "not clear error counter when Servo OFF", then the error counter might flood. If it does not flood, then the servo drive will probably run at the max. running speed when Servo ON again. **PLEASE PAY ATTENTION TO THE SAFETY OF INSTRUMENT.**

Para. No.	Name and description	Setting range	Default
Pn004.1	[0] Clear error pulse when S-OFF, not clear error pulse when overtravel. [1] Not clear error pulse [2] Clear error pulse When S-OFF or over travel	0~2	0

#### ■ Looking for the reference point

Looking for the reference point is for establishing a zero physical point of the operating platform, which is used as zero point in the coordinates during point position control. And users may choose to find a reference point either in forward or reverse side.

#### How to find a reference point

Mount a limit switch in the forward or reverse side. Find a reference point in the forward direction after connecting to /PCL and in the reverse direction after connecting to /NCL. When the operating platform bumps into the limit the switch, the motor will first stop according to the way set by Pn004.0, and then rotate again against limit the switch. When the operating platform leaves the limit switch and the motor reaches the position of first photo encoder Phase C pulse, then position of operating platform is set to be the zero point of the coordinates.

#### How to find related parameters of reference point

Speed towards limit switch is called "speed of looking for reference point", and the moving speed away from limit switch is called "moving speed". These two speeds could be set by the following parameters:

Para. No.	Description	Unit	Setting range	Default
Pn685	Speed of looking for reference point (hits the limit switch)	rpm	0~3000	1500
Pn686	Moving speed (move away from limit switch)	rpm	0~200	30

Usually, the set speed of the reference point (Pn685) is high, and the moving speed (Pn686) is low. Note: if moving speed is too high, precision of finding a reference point would be affected.

When looking for a reference point, /PCL and /NCL are no longer programmed to limit external current.

■ Related parameter

Para. No.	Description	Observation
Pn681.0	<p>Choose between cycle run and single run.</p> <p>0: Cycle run, /PCL as start signal, /NCL reverse to look for reference point.</p> <p>1: Single run, /PCL as start signal, /NCL reverse to look for reference point.</p> <p>2. Cycle run, /NCL as start signal, /PCL reverse to look for reference point.</p> <p>3. Single run, /NCL as start signal, /PCL reverse to look for reference point.</p>	<p>Changing steps will be performed till the end point is completed comma and the next change will start from the start point during multi-points cycle run.</p> <p>Point control program will not change steps after the end point is completed during multi- points single run.</p>
Pn681.1	<p>Change step and start mode</p> <p>0: Delay changing steps, the start signal is not needed.</p> <p>1: Change steps by /P-CON, start signal not needed.</p> <p>2. Delay changing steps, need start signal.</p> <p>3. Change steps by /P-CON, need start signal.</p>	<p>Change steps by external /P-CON signals. The signal will be valid when drive output reaches the desired position. When input signal changes, the signal is valid, then steps will be changed by consequence from start point to end point.</p>
Pn681.2	<p>Change step input signal mode</p> <p>[0] High or low level</p> <p>[1] sign pulse</p>	
Pn682	<p>0: Incremental</p> <p>1: Absolute</p>	<p>Incremental: relative moving distance (distance from current point to next point) programming.</p> <p>Absolute: absolute moving distance (distance between operating platform and the reference point) programming.</p>

## 4.6.9 Position Homing Control (Homing Function)

In position control mode, the servomotor always needs to operate at a fixed position. This position is normally regarded as the zero position. When the host controller is turned on, the zero position adjustment is required before processing. This zero position will be regarded as the reference point. ESTUN servo drives can perform this function by the homing function.

### (1)Homing Mode Setting

Para. No.	Description	
Pn689	b. □□□0	Homing in the forward direction
	b. □□□1	Homing in the reverse direction
	b. □□0□	Return to search C-Pulse when homing
	b. □□1□	Directly search C-Pulse when homing
	b. □0□□	Homing function disabled
	b. □1□□	Homing triggered by SHOM signal(rising edge)
<ul style="list-style-type: none"> <li>• Applicable control mode:position control</li> <li>• Homing operation can only be operated when /COIN is ON.</li> <li>• Pulses sent from the host controller is disabled when homing</li> <li>• Homing operation is disabled when in switching control mode.</li> <li>• Control mode switching is not allowed during homing.</li> <li>• After changing these parameters, turn OFF the main circuit and control power supplies and then turn them ON again to enable the new settings.</li> <li>• A parameter can be used to re-allocate input connector number for the SHOM and ORG signals. Refer to <b>3.2.2 I/O Signal Names and Functions</b>.</li> </ul>		

### (2)Related Parameter

Pn685	Speed of finding reference point (Hitting the origin signal ORG)			
	Setting Range	Setting Unit	Factory Setting	Setting Validation
	0~3000	rpm	1500	Immediately
Pn686	Speed of finding reference point (Leaving the origin signal ORG)			
	Setting Range	Setting Unit	Factory Setting	Setting Validation
	0~200	rpm	30	Immediately
Pn690	Number of error pulses during homing			
	Setting Range	Setting Unit	Factory Setting	Setting Validation
	0~9999	10000 P	0	Immediately
Pn691	Number of error pulses during homing			
	Setting Range	Setting Unit	Factory Setting	Setting Validation
	0~9999	1 P	0	Immediately



**(3)Input Signal Setting**

Type	Signal	Connector Pin	Setting	Meaning
Input	SHOM	Must be allocated by Pn509,Pn510	ON= ↑ (rising edge)	Homing is enabled
			OFF (not rising edge)	Homing is disabled
Input	ORG	Must be allocated by Pn509,Pn510	ON=H	ORG is enabled
			OFF=L	ORG is disabled

• After changing Pn509 and Pn510, turn OFF the main circuit and control power supplies and then turn them ON again to enable the new settings.

**Allocating Homing Output Signal (/HOME)**

Parameter		Connector Pin Number		Meaning
		+ Terminal	- Terminal	
Pn511	H.□□□8	CN1-11	CN1-12	The signal is output from output terminal CN1-11,12.
Pn511	H.□□8□	CN1-5	CN1-6	The signal is output from output terminal CN1-5,6.
Pn511	H.□8□□	CN1-9	CN1-10	The signal is output from output terminal CN1-9,10.

• After changing Pn510, turn OFF the main circuit, and control power supplies, and then turn them ON again to enable the new settings.  
• /HOME signal is only enabled at low level.

**(4)Description of Homing Operation**

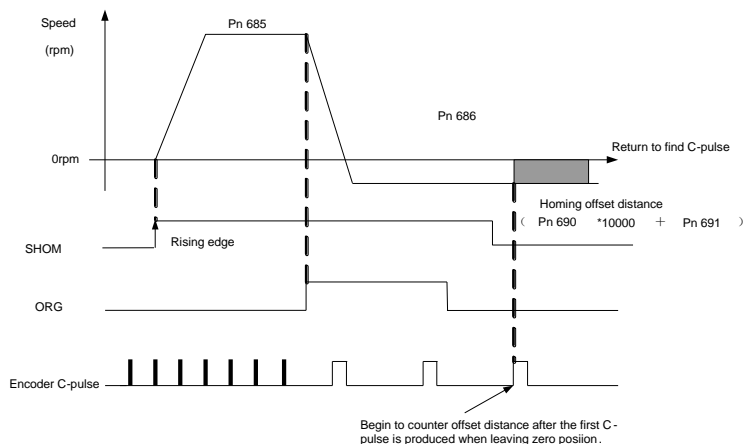
Please set Pn689 according to the actual operation in position control mode. When starting the homing function, the servomotor will run at the speed of Pn685 when detecting the rising edge of SHOM signal; the servomotor will run at the speed of Pn686 according to the setting of Pn689.1 when detecting the valid ORG signal.

When input ORG and the encoder C-Pulse is being detected, the servo drive will begin to calculate the number of homing offset pulses. When offset pulses is completed, the servomotor stops and outputs homing completion signal /HOME, then homing control is completed.

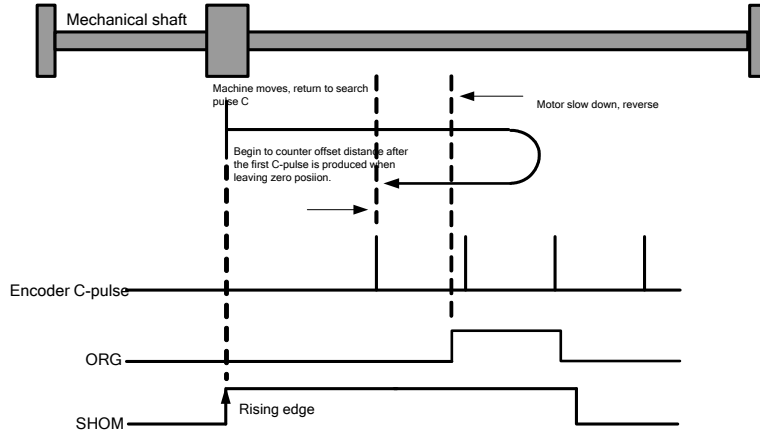
Pn685 (Hitting the origin signal (ORG)) is usually set at high speed, Pn686 (Leaving the origin signal ORG) is usually set at low speed.

Please be attention that if Pn686 is setting too high, the precision of mechanical zero position will be affected.

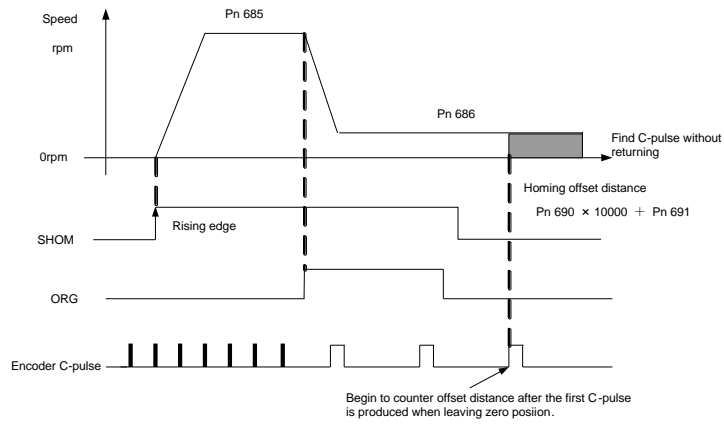
**After hitting the origin signal ORG, the motor will return to find C-pulse; the figure is shown as below:**



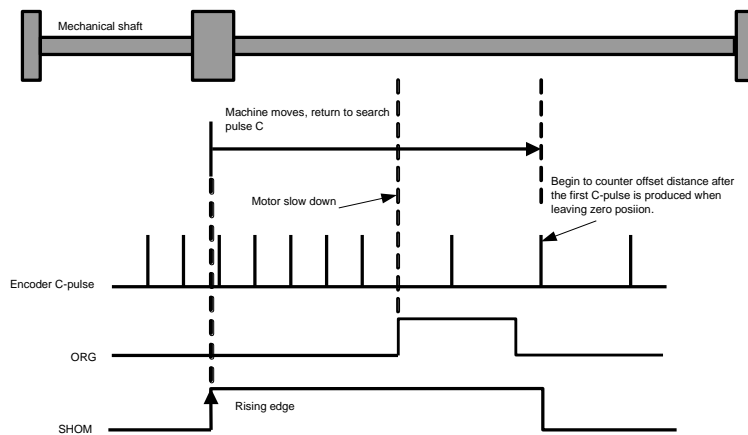
Corresponding position:



After hitting the origin signal ORG, the motor will find C-pulse directly; the figure is shown as below:



Corresponding position:



## 4.7 Operating Using Torque Control

### 4.7.1 Setting Parameters

The following parameters must be set for torque control operation with analog voltage reference.

Parameter		Meaning
Pn005	H. □□2□	Control mode selection: Torque control(analog voltage reference)

Pn400	Torque Reference Input Gain				
			Speed	Position	Torque
	Setting Range	Setting Unit	Factory Setting	Setting Validation	
	10~100	0.1V/100%	33	Immediately	

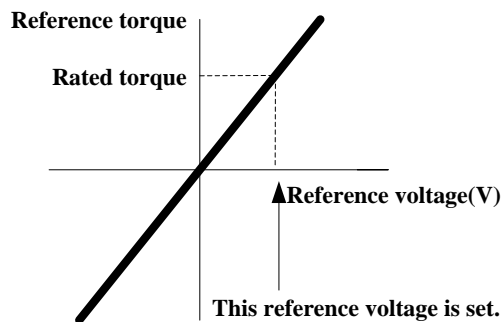
This sets the analog voltage level for the torque reference(T-REF) that is necessary to operate the servomotor at the rated torque.

■ Example

Pn400=30: The servomotor operates at the rated torque with 3V input (factory setting).

Pn400=100: The servomotor operates at the rated torque with 10V input.

Pn400=20: The servomotor operates at the rated torque with 2V input.



## 4.7.2 Torque Reference Input

By applying a torque reference determined by the analog voltage reference to the servo drive, the servomotor torque can be controlled in proportion with the input voltage.

Type	Signal Name	Connector Pin Number	Meaning
Input	T-REF+	CN1-26	Torque Reference Input
	T-REF-	CN1-27	

Used during torque control (analog voltage reference)  
(Pn005.1=2, 6, 8, 9)

The torque reference input gain is set in Pn400. For setting details, refer to **4.7.1 Setting Parameters**.

■ Input specifications

- Input range:DC±0~±10V/rated torque
- Factory setting

Pn400=30: Rated torque at 3V  
 +3V input: Rated torque in forward direction  
 +9V input: 300% rated torque in forward direction  
 -0.3V input: 10% rated torque in reverse direction

The voltage input range can be changed with parameter Pn400.

■ Input circuit example

Use twisted-pair wires as a countermeasure against noise.

Checking the internal torque reference

1. Checking the internal torque reference with the panel operator.

Use the Monitor Mode(Un003). Refer to **5.1.6 Operation in Monitor Mode**.

2. Checking the internal torque reference with an analog monitor.

The internal torque reference can also be checked with an analog monitor.

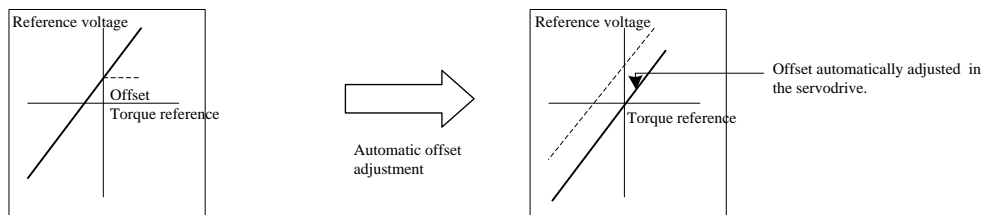
### 4.7.3 Adjusting the Reference Offset

#### (1) Automatic Adjustment of the Torque Reference Offset

When using torque control, the servomotor may rotate slowly even when 0V is specified as the analog reference voltage. This occurs when the host controller or external circuit has a slight offset (measured in mv) in the reference voltage. In this case, the reference offset can be adjusted automatically and manually using the panel operator.

The automatic adjustment of analog(speed,torque) reference offset(Fn003) automatically measures the offset and adjusts the reference voltage.

The servo drive performs the following automatic adjustment when the host controller or external circuit has an offset in the reference voltage.



After completion of the automatic adjustment, the amount of offset is stored in the servo drive. The amount of offset can be checked in the manual adjustment of torque reference offset(Fn004).

The automatic adjustment of analog reference offset(Fn003) cannot be used when a position loop has been formed with the host controller and the error pulse is changed to zero at the servomotor stop due to servolock.

Use the torque reference offset manual adjustment(Fn004).

---

**Note:**

The analog reference offset must be automatically adjusted with the servo OFF.

---

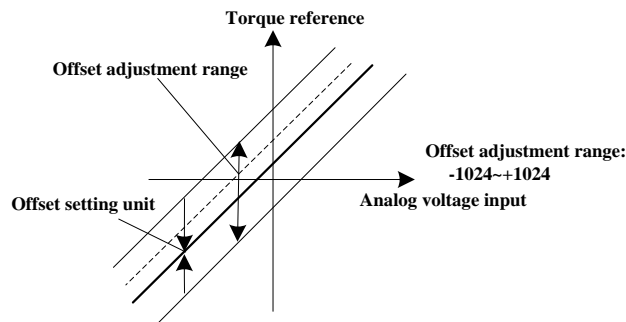
#### (2) Manual Adjustment of the Torque Reference Offset

Manual adjustment of the torque reference offset(Fn004) is used in the following cases.

- If a position loop is formed with the host controller and the error is zeroed when servolock is stopped.
- To deliberately set the offset to some value.
- Use this mode to check the offset data that was set in the automatic adjustment mode of the torque reference offset.

This mode operates in the same way as the automatic adjustment mode(Fn003), except that the amount of offset is directly input during the adjustment.

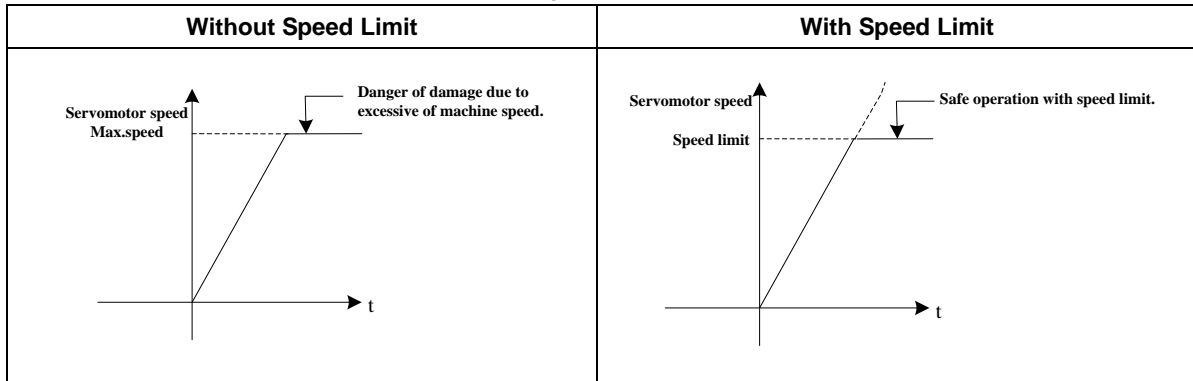
The offset adjustment range and setting unit are as follows.



### 4.7.4 Limiting Servomotor Speed During Torque Control

During torque control, the servomotor is controlled to output the specified torque, which means that the servomotor speed is not controlled. Accordingly, when an excessive reference torque is set for the mechanical load torque, it will prevail over the mechanical load torque and the servomotor speed will greatly increase.

This function serves to limit the servomotor speed during torque control to protect the machine.



#### (1)Speed Limit Enable

Parameter		Description
Pn001	b. □□0□	Use the value set in Pn406 as the speed limit (Internal speed limit)
	b. □□1□	Use the lower speed between V-REF and Pn406 as an external speed limit input.(External speed limit)

#### (2)Speed Limit During Torque Control

Pn406	Speed Limit During Torque Control			
				Torque
	Setting Range	Setting Unit	Factory Setting	Setting Validation
0~6000	rpm	1500	Immediately	
<ul style="list-style-type: none"> <li>• Set the servomotor speed limit value during torque control.</li> <li>• Pn005=H. □□1□, Pn406 is motor speed limit value.</li> <li>• The servomotor's maximum speed will be used when the setting in this parameter exceeds the maximum speed of the servomotor used.</li> </ul>				

**(3)External Speed Limit Function**

Type	Signal Name	Connector Pin Number	Name
Input	V-REF+	CN1-1	External Speed Limit Input
	V-REF-	CN1-2	

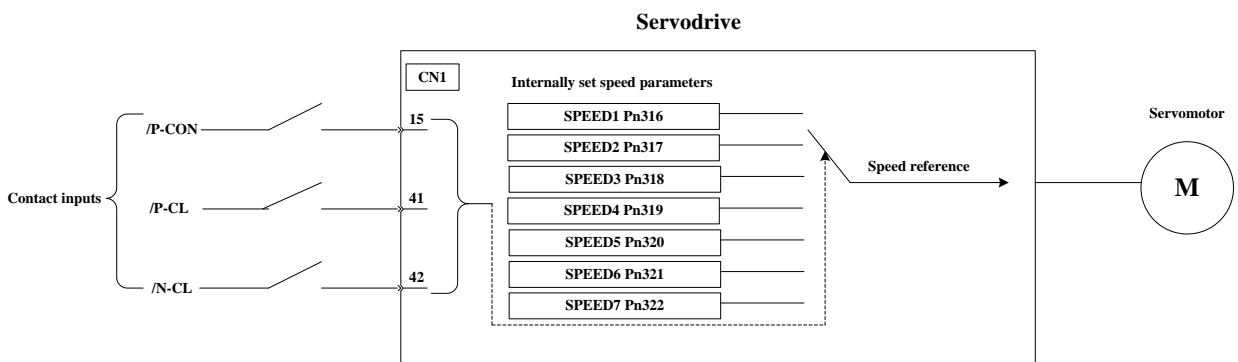
- Inputs an analog voltage reference as the servomotor speed limit value during torque control.
- The smaller value is enabled, the speed limit input from V-REF or the Pn406 (speed limit during torque control) when Pn005=H.□□1□.
- The setting in Pn300 determines the voltage level to be input as the limit value. Polarity has no effect.

Pn300	Speed Reference Input Gain		Speed	Position	Torque
	<b>Setting Range</b>	<b>Setting Unit</b>	<b>Factory Setting</b>	<b>Setting Validation</b>	
	0~3000	rpm/v	150	Immediately	

• Set the voltage level for the speed that is to be externally limited during torque control.

## 4.8 Operating Using Speed Control with an Internally Set Speed

The function of internally set speed selection allows speed control operation by externally selecting an input signal from among seven servomotor speed setting made in advance with parameters in the servo drive. The speed control operations within the three settings are valid. There is no need for an external speed or pulse generator.



### 4.8.1 Setting Parameters

Parameter		Meaning
Pn005	H. □□3□	Control mode selection: Speed control(contact reference) ↔ Speed control(zero reference)

Pn316	Internal set speed 1			speed
	<b>Setting Range</b>	<b>Setting Unit</b>	<b>Factory Setting</b>	<b>Setting Validation</b>
	-6000~6000	rpm	100	Immediately
Pn317	Internal set speed 2			speed
	<b>Setting Range</b>	<b>Setting Unit</b>	<b>Factory Setting</b>	<b>Setting Validation</b>
	-6000~6000	rpm	200	Immediately
Pn318	Internal set speed 3			speed
	<b>Setting Range</b>	<b>Setting Unit</b>	<b>Factory Setting</b>	<b>Setting Validation</b>
	-6000~6000	rpm	300	Immediately
Pn319	Internal set speed 4			speed
	<b>Setting Range</b>	<b>Setting Unit</b>	<b>Factory Setting</b>	<b>Setting Validation</b>
	-6000~6000	rpm	-100	Immediately
Pn320	Internal set speed 5			speed
	<b>Setting Range</b>	<b>Setting Unit</b>	<b>Factory Setting</b>	<b>Setting Validation</b>
	-6000~6000	rpm	-200	Immediately
Pn321	Internal set speed 6			speed
	<b>Setting Range</b>	<b>Setting Unit</b>	<b>Factory Setting</b>	<b>Setting Validation</b>
	-6000~6000	rpm	-300	Immediately
Pn322	Internal set speed 7			speed
	<b>Setting Range</b>	<b>Setting Unit</b>	<b>Factory Setting</b>	<b>Setting Validation</b>
	-6000~6000	rpm	500	Immediately

(Note):The servomotor's maximum speed will be used whenever a speed setting for the Pn316~Pn322 exceeds the maximum speed.



## 4.8.2 Input Signal Settings

The following input signals are used to switch the operating speed.

Type	Signal Name	Connector Pin Number	Meaning
Input	/P-CON	CN1-15	Selects the internally set speed.
Input	/P-CL	CN1-41	Selects the internally set speed.
Input	/N-CL	CN1-42	Selects the internally set speed.

## 4.8.3 Operating Using an Internally Set Speed

Use ON/OFF combinations of the following input signals to operate with the internally set speeds.

When Pn005.1=3: Selects the internally set speed (contact reference)  $\longleftrightarrow$  Speed control (zero reference)

Input Signal			Speed
/P-CON	/P-CL	/N-CL	
OFF(H)	OFF(H)	OFF(H)	Speed control (zero reference)
	OFF(H)	ON(L)	SPEED1
	ON(L)	OFF(H)	SPEED2
	ON(L)	ON(L)	SPEED3
ON(L)	OFF(H)	OFF(H)	SPEED4
	OFF(H)	ON(L)	SPEED5
	ON(L)	OFF(H)	SPEED6
	ON(L)	ON(L)	SPEED7

Note: OFF= High level; ON= Low level

### ■ Control Mode Switching

When Pn005.1 = 4, 5, 6, and either /P-CL or /N-CL is OFF (high level), the control mode will switch.

#### Example:

When Pn005.1=5: Speed control(contact reference)  $\longleftrightarrow$  Position control (pulse train)

Input Signal			Speed
/P-CON	/P-CL	/N-CL	
OFF(H)	OFF(H)	OFF(H)	Pulse train reference input (position control)
	OFF(H)	ON(L)	SPEED1
	ON(L)	OFF(H)	SPEED2
	ON(L)	ON(L)	SPEED3
ON(L)	OFF(H)	OFF(H)	SPEED4
	OFF(H)	ON(L)	SPEED5
	ON(L)	OFF(H)	SPEED6
	ON(L)	ON(L)	SPEED7

## 4.9 Limiting Torque

The servo drive provides the following three methods for limiting output torque to protect the machine.

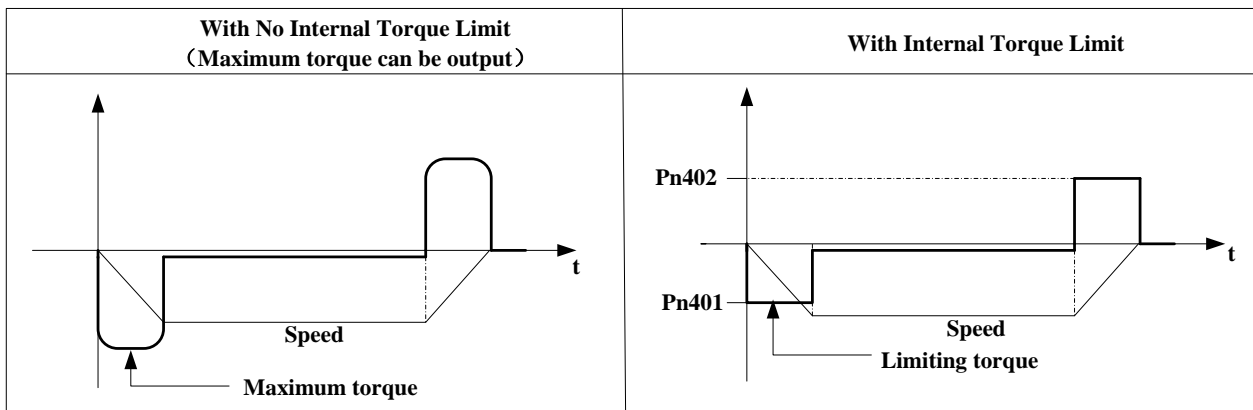
NO.	Limiting Method	Reference Section
1	Internal torque limit	4.9.1
2	External torque limit	4.9.2
3	Torque limiting by analog voltage reference	4.9.3

### 4.9.1 Internal Torque Limit

Maximum torque is always limited to the values set in the following parameters.

Pn401	Forward Torque Limit	<input type="checkbox"/> Speed	<input type="checkbox"/> Position	<input type="checkbox"/> Torque
	<b>Setting Range</b>	<b>Setting Unit</b>	<b>Factory Seeting</b>	<b>Setting Validation</b>
	0~300	%	300	Immediately
Pn402	Reverse Torque Limit	<input type="checkbox"/> Speed	<input type="checkbox"/> Position	<input type="checkbox"/> Torque
	<b>Setting Range</b>	<b>Setting Unit</b>	<b>Factory Seeting</b>	<b>Setting Validation</b>
	0~300	%	300	Immediately

- The setting unit is a percentage of rated torque.
- The maximum torque of the servomotor is used, even though the torque limit is set higher than the maximum torque of the servomotor. (as is the case with the 300% factory setting)



■ Note:

Too small a torque limit setting will result in insufficient torque during acceleration and deceleration.

## 4.9.2 External Torque Limit

This function allows the torque to be limited at specific times during machine operation, for example, during press stops and hold operations for robot workpieces.

An input signal is used to enable the torque limits previously set in parameters.

### (1)Related Parameters

Pn403	Forward External Torque Limit			Speed	Position	Torque
	<b>Setting Range</b>	<b>Setting Unit</b>	<b>Factory Setting</b>	<b>Setting Validation</b>		
	0~300	1%	100	Immediately		
Pn404	Reverse External Torque Limit			Speed	Position	Torque
	<b>Setting Range</b>	<b>Setting Unit</b>	<b>Factory Setting</b>	<b>Setting Validation</b>		
	0~300	1%	100	Immediately		

Note: The setting unit is a percentage of rated torque (i.e., the rated torque is 100%).

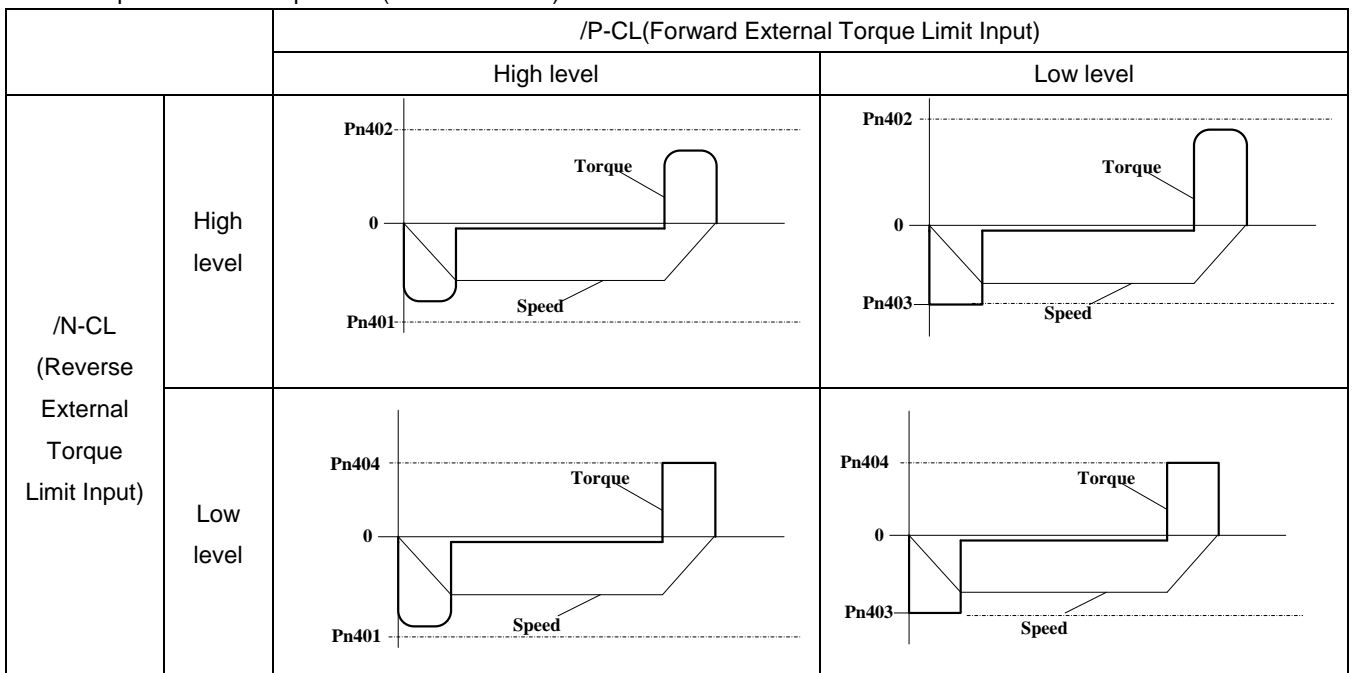
### (2)Input Signals

Type	Signal Name	Connector Pin Number	Setting	Meaning	Limit Value
Input	/P-CL	CN1-41 (factory setting)	ON(low level)	Forward external torque limit	Pn403
			OFF(high level)	Forward internal torque limit	Pn401
Input	/N-CL	CN1-42 (factory setting)	ON(low level)	Reverse external torque limit	Pn404
			OFF(high level)	Reverse internal torque limit	Pn402

When using this function, make sure that there are no other signals allocated to the same terminals as /P-CL and /N-CL.

### (3)Changes in Output Torque during External Torque Limiting

Example: External torque limit (Pn401, Pn402) set to 300%

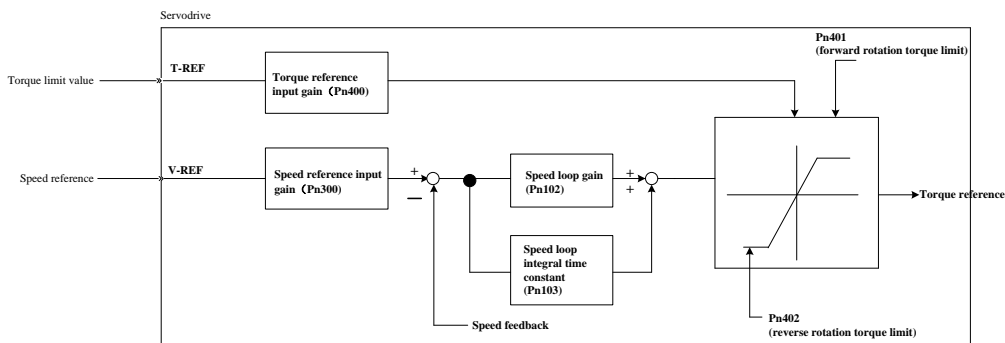


Note: Select the servomotor rotation direction by setting Pn001=b.    0 (standard setting, CCW=Forward direction).

### 4.9.3 Torque Limiting Using an Analog Voltage Reference

Torque limiting by analog voltage reference limits torque by assigning a torque limit in an analog voltage to the T-REF terminals (CN1-26,27). This function can be used only during speed or position control, not during torque control.

Refer to the following block diagram when the torque limit with an analog voltage reference is used for speed control.



**Important:**

- There is no issue with input voltage polarity of the analog voltage reference for torque limiting.
- The absolute values of both + and – voltages are input, and a torque limit value corresponding to that absolute value is applied in the forward or reverse direction.

**Related Parameters**

Parameter		Meaning
Pn001	b. □1□□	Use the T-REF terminal to be used as an external torque limit input.

## 4.10 Control Mode Selection

The methods and conditions for switching the servo drive control modes are described below.

### 4.10.1 Setting Parameters

The following control mode combinations can be selected according to the individual application of the user.

Parameter		Control Method
Pn005	H. □□4□	Speed control (contact reference) ↔ Speed control (analog voltage reference)
	H. □□5□	Speed control (contact reference) ↔ Position control (pulse train reference)
	H. □□6□	Speed control (contact reference) ↔ Torque control (analog voltage reference)
	H. □□7□	Position control (pulse train reference) ↔ Speed control (analog voltage reference)
	H. □□8□	Position control (pulse train reference) ↔ Torque control (analog voltage reference)
	H. □□9□	Torque control (analog voltage reference) ↔ Speed control (analog voltage reference)
	H. □□A□	Speed control (analog voltage reference) ↔ Zero clamp
	H. □□B□	Position control (pulse train reference) ↔ Position control (inhibit)
	H. □□C□	Position control (contact reference)
	H. □□D□	Speed control (Parameter reference)
	H. □□E□	Special control

### 4.10.2 Switching the Control Mode

Switching Speed Control (Pn005.1=4, 5, 6)

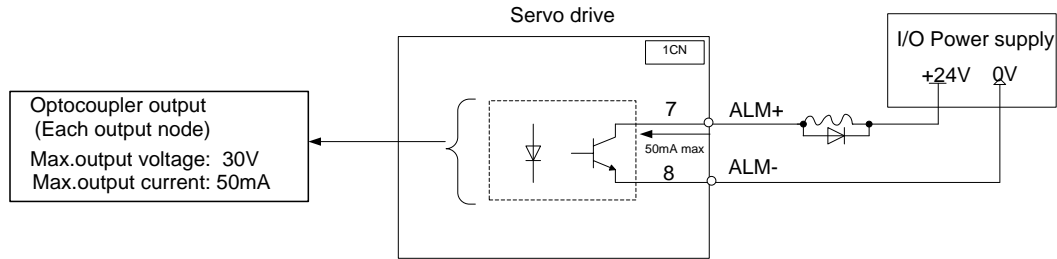
With the sequence input signals in the factory setting, the control mode will switch when both /P-CL and /N-CL signals are OFF (high level).

Type	Signal Name	Connector Pin Number	Setting	Meaning
Input	/P-CL	CN1-41 (factory setting)	OFF (high level)	Switches control mode.
Input	/N-CL	CN1-42 (factory setting)	OFF (high level)	

## 4.11 Other Output Signals

### 4.11.1 Servo alarm output

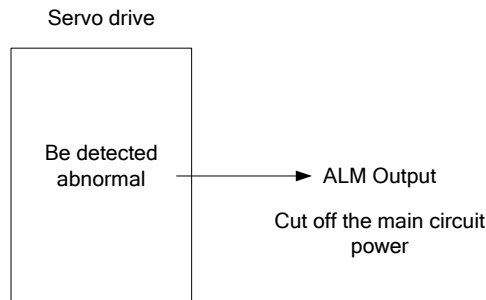
The following diagram shows the right way to connect the Alarm Output.



An external +24V I/O power supply is required since there is no +24V power source available inside the servo drive.

Output → ALM+	1CN- 7	Servo alarm output
Output → ALM-	1CN- 8	Servo alarm output uses grounding signal

ALM outputs a signal when the servo drive is detected in an abnormal state.



Normally, the external circuit consists of /ALM should be able to switch off the power of servo drive.

Signal	Status	Output level	Comments
ALM	ON	1CN-7: "L" level	Normal state
	OFF	1CN-8: "H" level	Alarm state

When "servo alarm(ALM)" happens, always remove alarm reasons first, and then turn the input signal "/ALM-RST" to ON position to reset alarm status.

→ Input /ALM-RST	1CN- 39	alarm reset input
------------------	---------	-------------------

Signal	Status	Input level	Comments
/ALM-RST	ON	1CN-39: "L" level	Reset servo alarm
	OFF	1CN-39: "H" level	Do not reset servo alarm

Normally, the external circuit can switch off the power supply of the servo drive when an alarm occurs. When powered on again, the servo drive removes the alarm automatically, so the alarm reset is not required to be connected. In addition, the alarm reset is enabled with the panel operator.

**Note:** When an alarm occurs, remove the alarm reason before resetting the alarms.

### 4.11.2 Rotation Detection Output Signal (/TGON)

Type	Signal Name	Connector Pin Number	Setting	Meaning
Output	/TGON	CN1-5,CN1-6 (Factory setting)	ON(low level)	Servomotor is operating(Servomotor speed is above the setting in Pn503).
			OFF(high level)	Servomotor is not operating(Servomotor speed is below the setting in Pn503).

This signal output indicates that the servomotor is currently operating above the setting set in parameter Pn503.

• **Related parameter**

Pn503	Rotation Detection Speed TGON			
		Speed	Position	Torque
	<b>Setting range</b>	<b>Setting unit</b>	<b>Factory setting</b>	<b>Setting validation</b>
	0~3000	rpm	20	Immediately

- This parameter sets the range in which the rotation detection output signal (/TGON) is output
- When the servomotor rotation speed is above the value set in the Pn503,the servomotor rotation speed signal (/TGON) is output.
- The rotation detection signal can also be checked on the panel operator.

### 4.11.3 Servo Ready (/S-RDY) Output

Type	Signal Name	Connector Pin Number	Setting	Meaning
Output	/S-RDY	CN1-9,CN1-10 (factory setting)	ON (low level)	Servo is ready.
			OFF (high level)	Servo is not ready.

- This signal indicates that the servo drive received the servo ON signal and completed all preparations.
- It is an output when there are no servo alarms and the main circuit power supply is turned ON.

### 4.11.4 Encoder C Pluse Output (/PGC)

Type	Signal Name	Connector Pin Number	Setting	Meaning
Output	/PGC	Not including this setting in the default setting, please choose terminal output by setting parameter Pn511.	ON (low level)	With encoder C pluse output
			OFF (high level)	Without encoder C pluse output

This signal indicates when the servo drive circumrotates to the C pulse position; there is a correlation between the width of the C pulse and the speed of the servo drive.

### 4.11.5 Over travel signal output (OT)

Type	Signal Name	Connector Pin Number	Setting	Meaning
Output	OT	Not including this setting in the default setting, please choose terminal output by setting parameter Pn511	ON (low level)	Without forward rotation Prohibited (POT) and reverse rotation prohibited (NOT) signal
			OFF (high level)	With forward rotation Prohibited (POT) and reverse rotation prohibited (NOT) signal
When machine is on over travel state, OT signal is OFF; Host controller can use this signal to stop sending reference.				

#### Related parameter

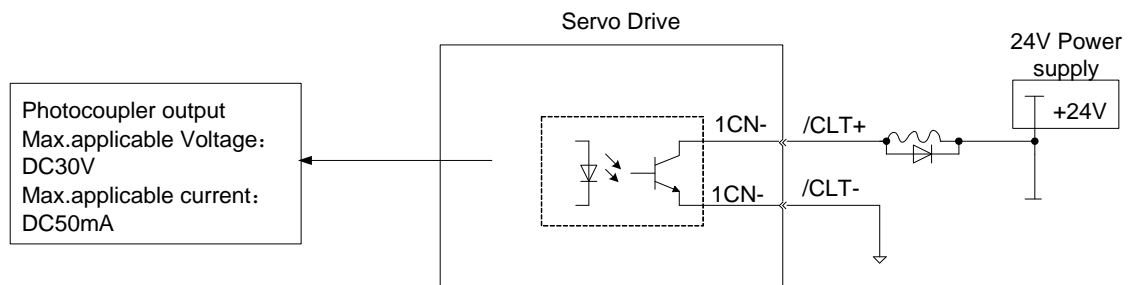
Pn000	POT/NOT			
		Speed	Position	Torque
	<b>Setting Range</b>	<b>Unit</b>	<b>Factory Setting</b>	<b>Setting Validation</b>
	0~1111	—	0	After restart
Pn000.1=1, external POT disabled; Pn000.2=1, external NOT disabled; Pn000.1=1 and Pn000.2=1, OT signal is ON.				

### 4.11.6 Servo Enabled Motor Excitation Output(/RD)

Type	Signal Name	Connector Pin Number	Setting	Meaning
Output	/RD	Not including this setting in the default setting, please choose terminal output by setting parameter Pn511	ON=L	Servo enabled motor excitation
			OFF=H	Servo disabled motor not excitation
/RD is on when servo enabled motor excitation.				

### 4.11.7 Torque Limit Detection Output (/CLT)

The application of output signal /CLT is as follows:



—>Output /CLT	Torque limit output	Speed, torque control, position control
---------------	---------------------	---

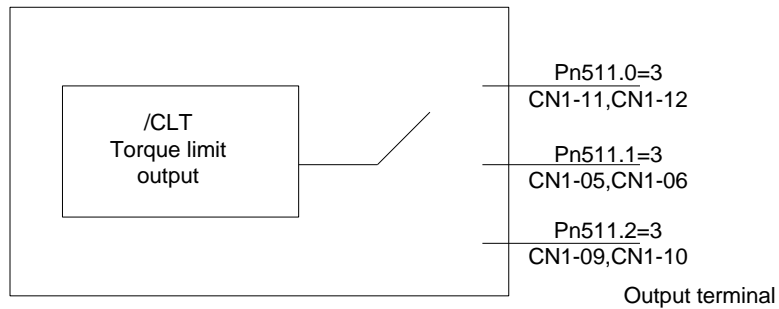


Indicates the output torque (current) of motor is limited.

Type	Signal Name	Connector Pin Number	Setting	Meaning
Output	/CLT	Not including this setting in the default setting, please choose terminal output by setting parameter Pn511	ON=L	Motor output torque under limit (Internal torque reference is higher than setting value).
			OFF=H	No torque limit (Internal torque reference is lower than setting value).

Please use the following user constants to define output signals and pins when using /CLT signal.

Para. No.		Connector Pin Number		Meaning
		+Terminal	-Terminal	
Pn511	H.□□□3	CN1-11	CN1-12	Output signal of CN1-11, CN1-12 is /CLT
Pn511	H.□□3□	CN1-05	CN1-06	Output signal of CN1-5, CN1-6 is /CLT
Pn511	H.□3□□	CN1-09	CN1-10	Output signal of CN1-9, CN1-10 is /CLT



Parameter Pn511 description as following:

0	/COIN (/V-CMP) output
1	/TGON rotation detecting output
2	/S-RDY servo drive get ready output
3	/CLT torque limit output
4	/BK brake interlock output
5	/PGC encoder C pulse output
6	OT overtravel signal output
7	/RD servo enabled motor excitation output
8	/HOME home completion output
9	/TCR Torque Detection Output

## 4.11.8 Torque Detection Output (/TCR)

Type	Signal Name	Connector Pin Number	Setting	Meaning
Output	/TCR	Not including this setting in the default setting, please choose terminal output by setting parameter Pn511	ON=L	Motor output torque is higher than Pn529 setting value.
			OFF=H	Motor output torque is lower than Pn529 setting value.
Torque detection output time is set by Pn530.				

Parameter Pn511 description as following:

0	/COIN (/V-CMP) output
1	/TGON rotation detecting output
2	/S-RDY servo drive get ready output
3	/CLT torque limit output
4	/BK brake interlock output
5	/PGC encoder C pulse output
6	OT overtravel signal output
7	/RD servo enabled motor excitation output
8	/HOME home completion output
9	/TCR torque detection output

## 4.12 Online Autotuning

### 4.12.1 Online Autotuning

Online autotuning calculates the load moment of inertia during operation of the servo drive and sets parameters so that the servo gains are consistent with the load rigidity.

Online autotuning may not be effective in the following cases:

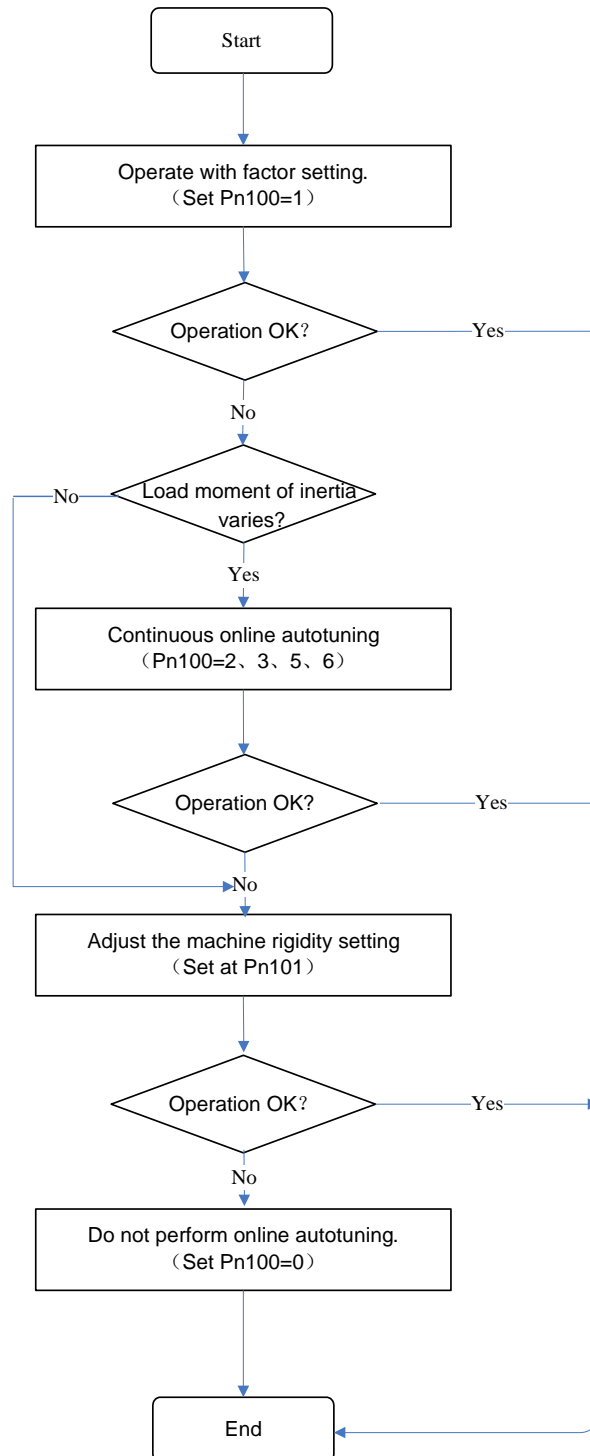
- The motor high speed is lower than 100 rpm.
- The motor acceleration or deceleration is lower than 5000rpm/s.
- Load rigidity is low and mechanical vibration occurs easily or friction is high.
- The speed load moment is changed greatly.
- Mechanical gas is very large.

If the condition meets one of the above cases or the desired operation cannot be achieved by the online autotuning, set the value in Pn106 (Load inertia ratio) and perform the adjustment manually.

### 4.12.2 Online Autotuning Procedure



- Do not perform extreme adjustment or setting changes causing unstable servo operation. Failure to observe this warning may result in injury and damages to the machine.
- Adjust the gains slowly while confirming motor operation.



### 4.12.3 Setting Online Autotuning

Related parameters:

Parameter No.	Name	Unit	Setting Range	Factory Setting	Setting Invalidation
Pn100	<b>Online autotuning setting selection</b> [0] Load inertia setting [1] Online autotuning setting [2] Reserved [3] Reserved	—	0~0x0036	0x0011	After restart
Pn101	<b>Machine rigidity setting</b>	—	0~36	6	Immediately

### 4.12.4 Load Rigidity Setting for Online Autotuning

There are 37 load rigidity settings for online autotuning, When the load rigidity setting is selected, the servo gains (speed loop gain, speed loop integral time constant, position loop gain) are determined automatically. The factory setting of the load rigidity is set to 5.

Machine Rigidity Setting	Position Loop Gain [s <sup>-1</sup> ]	Speed Loop Gain [rad/s]	Speed Loop Integral Time Constant [0.1ms]	Position Loop Gain [s <sup>-1</sup> ]	Speed Loop Gain [rad/s]	Speed Loop Integral Time Constant [0.1ms]	Position Loop Gain [s <sup>-1</sup> ]	Speed Loop Gain [rad/s]	Speed Loop Integral Time Constant [0.1ms]
	Pn100.1=1 Standard			Pn100.1=2 Steadily			Pn100.1=3 High precision		
	Pn104	Pn102	Pn103	Pn104	Pn102	Pn103	Pn104	Pn102	Pn103
0	16	63	637	10	63	796	27	63	318
1	24	94	424	16	94	531	41	94	212
2	31	126	318	21	126	398	55	126	159
3	39	157	255	26	157	318	69	157	127
4	47	188	212	31	188	265	82	188	106
5	55	220	182	37	220	227	96	220	91
6	63	251	159	42	251	199	110	251	80
7	71	283	141	47	283	177	124	283	71
8	79	314	127	52	314	159	137	314	64
9	86	345	116	58	345	145	151	345	58
10	94	377	106	63	377	133	165	377	53
11	102	408	98	68	408	122	179	408	49
12	110	440	91	73	440	114	192	440	45
13	118	471	85	79	471	106	206	471	42
14	126	502	80	84	502	99	220	502	40
15	134	534	75	89	534	94	234	534	37

16	141	565	71	94	565	88	247	565	35
17	149	597	67	99	597	84	261	597	34
18	157	628	64	105	628	80	275	628	32
19	165	659	61	110	659	76	289	659	30
20	173	691	58	115	691	72	302	691	29
21	181	722	55	120	722	69	316	722	28
22	188	754	53	126	754	66	330	754	27
23	196	785	51	131	785	64	344	785	25
24	204	816	49	136	816	61	357	816	24
25	212	848	47	141	848	59	371	848	24
26	220	879	45	147	879	57	385	879	23
27	228	911	44	152	911	55	399	911	22
28	236	942	42	157	942	53	412	942	21
29	243	973	41	162	973	51	426	973	21
30	251	1005	40	168	1005	50	440	1005	20
31	259	1036	39	173	1036	48	454	1036	19
32	267	1068	37	178	1068	47	467	1068	19
33	275	1099	36	183	1099	45	481	1099	18
34	283	1130	35	188	1130	44	495	1130	18
35	291	1162	34	194	1162	43	509	1162	17
36	298	1193	34	199	1193	42	522	1193	17

## 4.13 Inertia

Overvoltage (A.13) may happen if the servomotor exceeds 30 times the load inertia in acceleration.

Regeneration error (A.16) may happen if using the wrong internal regenerative resistor or external regenerative resistor.

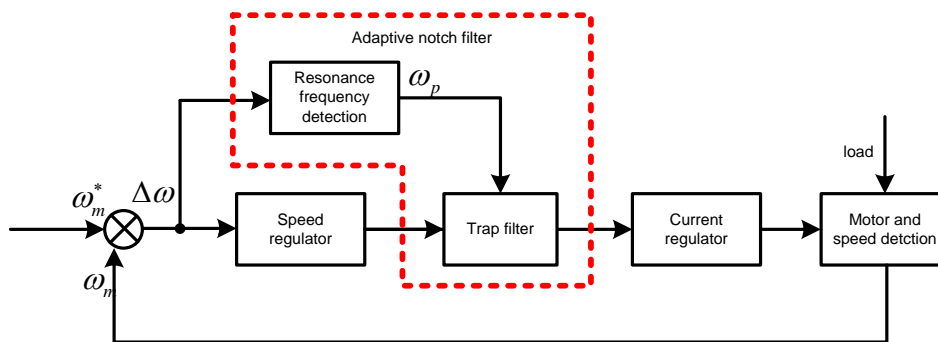
If any of the above alarms happens, take the following actions:

- Decrease torque limit value
- Decrease deceleration curvature
- Decrease high speed

If the alarm is not released with the above actions, re-select external regenerative resistor or contact your ESTUN representative or the dealer from whom you purchased the products.

## 4.14 Adaptive notch filter

### 4.14.1 Adaptive notch filter principle



With the aim(purpose) of attenuating the vibration, the resonance frequency detection module is used for analyzing the frequency spectrum of servo system, detecting the resonance frequency and self-correcting the parameters of tarp filter automatically.

The principle of adaptive notch filter are:

(1) one adaptive notch filter:

- a. If real system has no resonance point (the max. value of resonance is lower than threshold), notch filter is not used.
- b. If real system has one resonance point, NO.1 notch filter is used (the max. value of resonance is higher than threshold). And set the frequency as the max.value. If the vibration stops, not reset the frequency. If the vibration does not stop, reset the frequency. Once resonance occurs, keep using notch filter.

(2) use two adaptive notch filters:

- a. If real system has no resonance point (the max. value of resonance is lower than threshold), notch filter is not used.
- b. If real system has one resonance point, NO.1 notch filter is used. And set the frequency as the max.value. If the vibration stops, not reset the frequency.
- c. If real system has two resonance points, NO.1 notch filter is used first. And set the frequency as the max.value, which the resonance frequency detection module outputs. Than use the NO.2 notch filter for the second resonance point. And set the frequency as the max.value ,which the resonance frequency detection module outputs as the NO.1 notch filter is using. If the vibration stops, not reset the frequency. If the vibration does not stop,

reset the frequency of the NO.1 notch filter and so on.

#### 4.14.2 Related Parameters

Parameter No.	Name
Pn010.1	Notch filter mode selection [0] Use manual notch filter(set Pn407~Pn410 at the same time) [1] Use one adaptive notch filter(set Pn408 and Pn416 at the same time) [2] Use two adaptive notch filters(set Pn408,Pn410,Pn146 and Pn147 at the same time)
Pn407	Notch filter 1 frequency. Unit:Hz
Pn408	Notch filter 1 depth
Pn409	Notch filter 2 frequency. Unit:Hz
Pn410	Notch filter 2 depth
Pn146	Notch filter 1 width
Pn147	Notch filter 2 width
Pn148	Adaptive notch filter error amplitude threshold value: when rotation fluctuation is larger than the value,adaptive notch filter starts to work. Unit:0.1rpm
Pn149	Adaptive notch filter error frequency: when two frequency errors are larger than the value, reset notch filter frequency. Unit:Hz

Notch filter width :

When notch filter depth is 0, bandwidth of -3dB attention / center frequency. The values are shown in the table below.

Notch filter depth:

It is the value of cutting center frequency when setting value is 0,It is the value of input /output when setting value is 100. The values are shown in the table below.

Notch filter width	Bandwidth /Center frequency	Notch filter depth	Input /Output
0	0.5	0	0
1	0.6	1	0.01
2	0.7	2	0.02
3	0.8	3	0.03
4	0.9	4	0.04
5	1	5	0.05
6	1.2	6	0.06
7	1.4	7	0.07
8	1.6	8	0.08
9	1.8	9	0.09

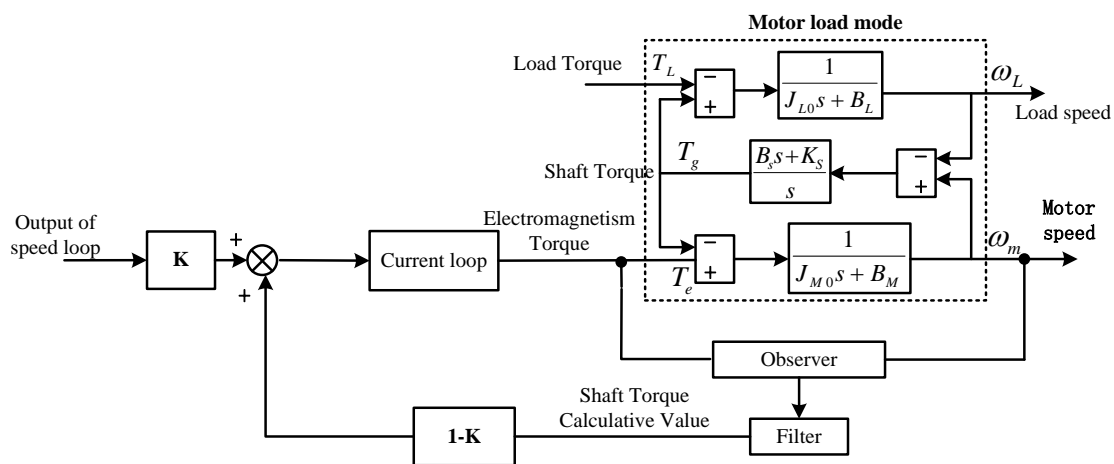
10	2	10	0.1
11	2.4	11	0.15
12	2.8	12	0.2
13	3.2	13	0.25
14	3.6	14	0.3
15	4	15	0.35
		16	0.4
		17	0.45
		18	0.5
		19	0.6
		20	0.7
		21	0.8
		22	0.9
		23	1

## 4.15 The use of Torque Observer

### 4.15.1 Equivalent load inertia ratio is adaptive

The resonance frequency and amplitude of the system are associated with the inertia ratio of system. Inertia ratio is smaller, the smaller the resonance peak is. Use this feature, on the control by reducing the equivalent load inertia ratio, thereby reducing the resonant peak so as to suppress resonance.

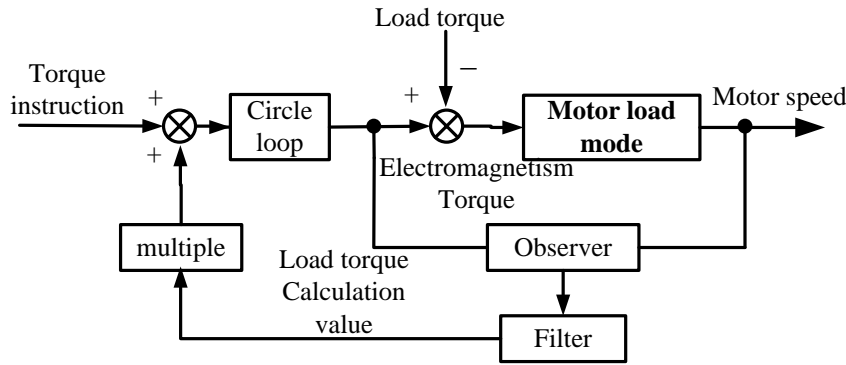
As following figure,  $T_g$  is motor shaft torque by real-time observation,  $K$  is equivalent load inertia ratio adaptive coefficient, and the ratio of equivalent load inertia of the system would be changed by  $T_g$  and  $K$ .





### 4.15.2 Load torque compensation

As following figure (motor load model with 4.15.1), by real-time observation load torque, and compensation control, when the load mutates, the output of the observer will compensate speed change caused by the mutation load , so as to improve the dynamic response performance of the speed loop, improve the immunity performance of system.



### 4.15.3 Related parameters

Parameter No.	Name and description
Pn010.2	Torque observer mode selection [0] Do not use a torque observer [1] Start torque observer, and use it to outside disturb torque compensation arithmetic module (set Pn695~Pn698 at the same time) [2] Start torque observer, and use it to load inertia ratio adjustable module (set Pn695~Pn697、 Pn699 at the same time)
Pn695	Torque observer input use moment of inertia ratio: The value is the percentage of motor ontolog inertia ontology. Unit:% When torque observer is used for the function of load torque compensation ,set it to actual load inertia ratio. When torque observer is used for the function of equivalent load inertia ratio is adaptive, set it to 0.

<p>Pn696</p>	<p>Torque observer feedback coefficient</p> <p>When Pn010.2=2, 1, 2, 3 gears are feedback coefficients of observed shaft torque, The higher the gear, the more real-time observation, but the greater the observation noise.</p> <p>When the moment of inertia is larger, can use 2;</p> <p>The moment of inertia is big and system of rigid, can use 3;</p> <p>Small inertia, 2, 3 gears shall not apply</p> <p>When Pn010.2=1, 4, 5, 6 gears are feedback coefficients of observed load torque</p> <p>The higher the gear, the more real-time observation, but the greater the observation noise.</p> <p>When the moment of inertia is larger, can use 5;</p> <p>The moment of inertia is big and system of rigid, can use 6;</p> <p>Small inertia, 5, and 6 gears shall not apply.</p>
<p>Pn697</p>	<p>Observer value of Torque observer filter coefficient</p> <p>The greater the low-pass filter time constant, the more you delay</p>
<p>Pn698</p>	<p>Load torque compensate coefficient:</p> <p>The compensation coefficient of observed disturber torque, the greater the value, the more obvious the compensation effect. Unit: %</p>
<p>Pn699</p>	<p>Equivalent load inertia ratio</p> <p>The ration of Dummy load inertia ratio and Actual load inertia ratio, the smaller the ratio of system, the better the effect of vibration suppression, but the worse dynamic response performance, can take 50% then they can be adjusted up and down.</p>

# Chapter 5

## Panel Operator

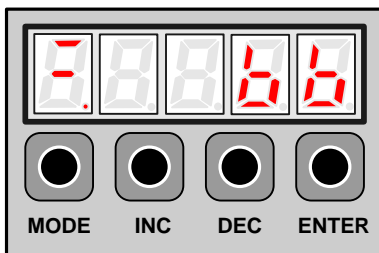
### 5.1 Basic Operation

#### 5.1.1 Functions on Panel Operator

The panel operator is a built-in operator that consists of display section and keys located on the front panel of the servo drive.

Parameter setting, status display, and execution of utility function are enabled using the panel operator.

The names and functions of the keys on the panel operator are shown as follows:



Panel Symbol	Corresponding Key Name	Function
▲	INC key	<ul style="list-style-type: none"> <li>To display the parameter settings and setting values.</li> <li>To increase the setting value.</li> </ul>
▼	DEC key	<ul style="list-style-type: none"> <li>To decrease the setting value.</li> </ul>
M	MODE key	<ul style="list-style-type: none"> <li>To select a basic mode, such as the display mode, parameter setting mode, monitor mode, or utility function mode.</li> <li>To save the setting during parameter setting and exit.</li> </ul>
◀	ENTER key	To display the parameter settings and setting values, and release alarm.

**Note:** In this manual, the Panel Symbol is represented by Corresponding Key Name for easy understanding.

#### 5.1.2 Resetting Servo Alarms

Servo alarms can be reset by pressing the ENTER key when the panel operator in display mode. Servo alarms can also be reset using the CN1-39(/ALM-RST) input signal.

There is no need to clear the servo alarms if it turns the main circuit power supply OFF.

---

**Note:** After an alarm occurs, remove the cause of the alarm before resetting it.

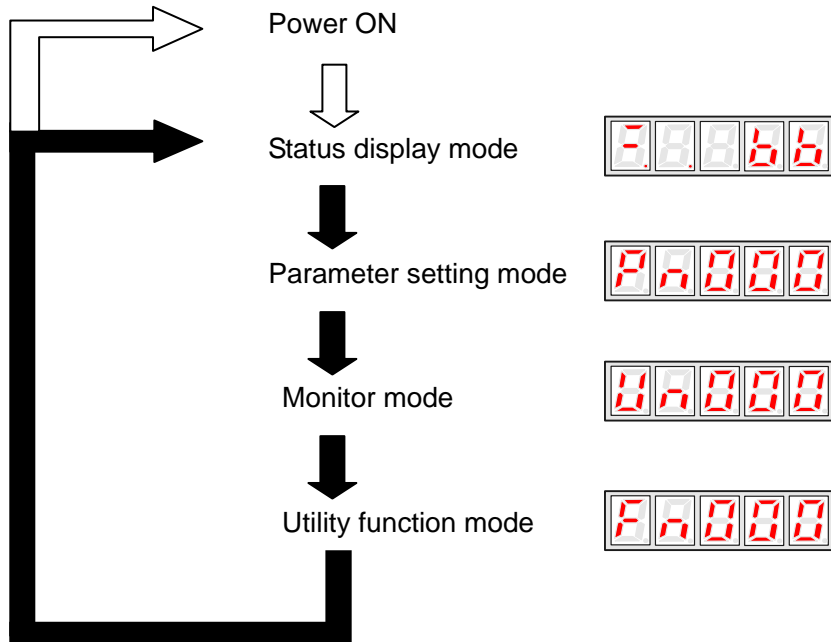
---

### 5.1.3 Basic Mode Selection

The basic modes include status display mode, parameter setting mode, monitor mode, and utility function mode. Each time the MODE key is pressed, the next mode in the sequence is selected.

Select a basic mode to display the operation status, set parameters and operation references.

The basic mode is selected in the following order.



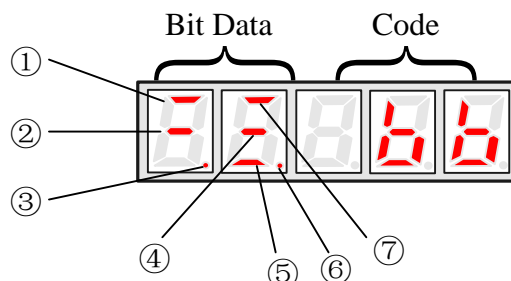
### 5.1.4 Status Display Mode

The status display mode displays the servo drive status as bit data and codes.

#### Selecting Status Display Mode

The status display mode is selected when the power supply is turned ON. If it is not displayed, select this mode by pressing MODE key.






Note that the display differs between the speed/torque control and position control types.



■ Bit Data Display

No.	Speed/Torque Control Mode		Position Control Mode	
	Bit Data	Description	Bit Data	Description
①	Speed Coincidence	Lit when the difference between the servomotor and reference speed is the same as or less than the preset value. Present value:Pn501 (factory setting is 10rpm) Always lit in torque control mode.	Positioning Completion	Lit if error between position reference and actual servomotor position is below preset value. Present value:Pn500(10 pulse is factory setting)
②	Base lock	Lit for base block. Not lit at servo ON.	Base block	Lit for base block. Not lit at servo ON.
③	Control power ON	Lit when servo drive control power is ON.	Control power ON	Lit when servo drive control power is ON.
④	Speed reference input	Lit if input speed reference exceeds preset value. Not lit if input speed reference is below preset value. Preset value: Pn503(factory setting is 20 rpm)	Reference pulse input	Lit if reference pulse is input. Not lit if no reference pulse is input.
⑤	Torque reference input	Lit if input torque reference exceeds preset value. Not lit if input torque reference is below preset value. Preset value: 10% of rated torque	Error counter clear signal input	Lit when error counter clear signal is input. Not lit when error counter clear signal is not input.
⑥	Power ready	Lit when main circuit power supply is ON and normal. Not lit when main circuit power supply is OFF.	Power ready	Lit when main circuit power supply is ON and normal. Not lit when main circuit power supply is OFF.
⑦	Rotation detection /TGON	Lit if servomotor speed exceeds preset value. Not lit if servomotor speed is below preset value. Preset value: Pn503 (factory setting is 20 rpm)	Rotation detection /TGON	Lit if servomotor speed exceeds preset value. Not lit if servomotor speed is below preset value. Preset value: Pn503(factory setting is 20 rpm)

■ Codes Display

Code	Meaning
	Baseblock Servo OFF (servomotor power OFF)
	Run Servo ON (servomotor power ON)
	Forward Run Prohibited CN1-16 (P-OT) is OFF.
	Reverse Run Prohibited CN1-17 (N-OT) is OFF.
	Alarm Status Displays the alarm number.

Press ENTER key to clear the present servo alarm.

## 5.1.5 Operation in Parameter Setting Mode

The servo drive offers a large number of functions, which can be selected or adjusted by the parameter settings. Refer to **A.1 Parameter List** for details.

### ■ Parameter Setting Procedures

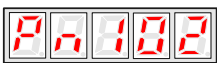
The parameter settings can be used for changing parameter data. Before changing the data, check the permitted range of the parameter.

The example below shows how to change parameter Pn102 from “100” to “85”.

1. Press MODE key to select the parameter setting mode.



2. Press INC key or DEC key to select parameter number.



3. Press ENTER key to display the current data of Pn102.



4. Press the INC or DEC key to change the data to the desired number 00085. Hold the key to accelerate the changing of value. When the maximum value or minimum value is reached, pressing INC or DEC key respectively, will have no effect.



5. Press the ENTER or MODE key once to return to the display of Pn102.



## 5.1.6 Operation in Monitor Mode

The monitor mode allows the reference values input into the servo drive, I/O signal status, and servo drive internal status to be monitored.

### ■ Using the Monitor Mode

The example below shows how to display the value (1500) stored in Un001.

1. Press MODE key to select the monitor mode.



2. Press the INC or DEC key to select the monitor number to display.



3. Press the ENTER key to display the data for the monitor number selected at step 2.



4. Press the ENTER key once more to return to the monitor number display.



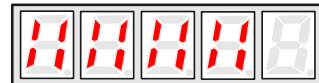
■ List of Monitor Modes

Contents of Monitor Mode Display

Monitor Number	Monitor Display	
Un000	Actual servomotor speed Unit: rpm	
Un001	Input speed reference Unit: rpm	
Un002	Input torque reference Unit: % (with respect to rated torque)	
Un003	Internal torque reference Unit: % (with respect to rated torque)	
Un004	Number of encoder rotation angle pulses	
Un005	Input signal monitor	→
Un006	Encoder signal monitor	→
Un007	Output signal monitor	→
Un008	Frequency given by pulse Unit: 1kHz	
Un009	Number of servomotor rotation pulses	
Un010	Pulse rate of servomotor rotated (x10 <sup>4</sup> )	
Un011	Error pulse counter lower 16 digit	
Un012	Error pulse counter higher 16 digit	
Un013	Number of pulses given	
Un014	Number of pulses given (x10000)	
Un015	Load inertia percentage	
Un016	Servomotor overload ratio	
Un017	Servomotor winding temperature	Only used in ProNet-7.5kW~22kW when equipped with resolver.
Un018	Encoder EEPROM saves motor and encoder types and correlation information	
Un019	Reserve	
Un020	Reserve	
Un021	Nikon Encode internal Temperature (unit: °C)	

Internal status bit display

7 6 5 4 3 2 1 0





Contents of Bit Display:

Monitor Number	Display LED Number	Content
Un005	0	/S-ON (CN1-14)
	1	/PCON (CN1-15)
	2	P-OT (CN1-16)
	3	N-OT (CN1-17)
	4	/ALM-RST (CN1-39)
	5	/CLR (CN1-40)
	6	/PCL (CN1-41)
	7	/NCL (CN1-42)

Monitor Number	Display LED Number	Content
Un006	0	(Not used)
	1	(Not used)
	2	(Not used)
	3	Phase-C
	4	Phase-B
	5	Phase-A
	6	(Not used)
	7	(Not used)

Monitor Number	Display LED Number	Content
Un007	0	CN1_05, CN1_06
	1	CN1_07, CN1_08
	2	CN1_09, CN1_10
	3	CN1_11, CN1_12

## 5.2 Operation in Utility Function Mode

In utility function mode, the panel operator can be used to run and adjust the servo drive and servomotor.

The following table shows the parameters in the utility function mode.

Parameter No.	Function
Fn000	Alarm traceback data display
Fn001	Parameter setting initialization
Fn002	JOG mode operation
Fn003	Automatic adjustment of speed reference offset
Fn004	Manual adjustment of speed reference offset
Fn005	Automatic adjustment of servomotor current detection
Fn006	Manual adjustment of servomotor current detection
Fn007	Software version display
Fn008	Position teaching
Fn009	Static inertia detection
Fn010	Absolute encoder multiturn data and alarm reset
Fn011	Absolute encoder related alarms reset

Note: Fn010、Fn011 only can be used when the servomotor mounted the absolute encoder.

### 5.2.1 Alarm Traceback Data Display

The alarm traceback display can display up to 10 previously occurred alarms. The alarm is displayed on Fn000, which is stored in the alarm traceback data.

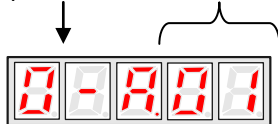
Follow the procedures below to confirm alarms which have been generated.

1. Press the MODE key to select the utility function mode.
2. Press the INC or DEC key to select the function number of alarm trace back data display.

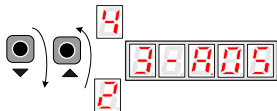


3. Press the ENTER key once, the latest alarm data is displayed.

Alarm Sequence Number    Alarm Code



4. Press the INC or DEC key to display other recent alarms that have occurred.



5. Press the ENTER key, the display will return to Fn000.



**Note:** Hold the ENTER key for one second with alarm code displaying, all the alarm traceback datas will be cleared.



## 5.2.2 Parameter Settings Initialization

Follow the procedures below to execute the parameter settings initialization.

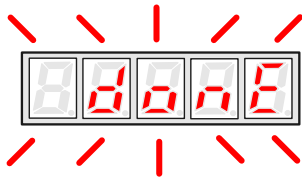
1. Press the MODE key to select the utility function mode.
2. Press the INC or DEC key to select the function number of parameter settings initialization.



3. Press the ENTER key to enter into parameter settings mode.



4. Hold the ENTER key for one second, the parameters will be initialized.



5. Release the ENTER key to return to the utility function mode display Fn001.



---

**Note:**

Press the ENTER key during servo ON does not initialize the parameter settings.  
Initialize the parameter settings with the servo OFF.

---

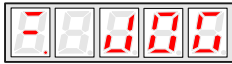
### 5.2.3 Operation in JOG Mode

Follow the procedures below to operate the servomotor in JOG mode.

1. Press the MODE key to select the utility function mode.
2. Press the INC or DEC key to select the function number of JOG mode operation.



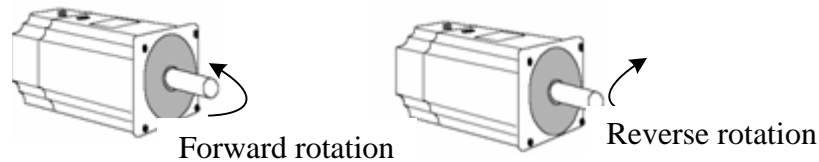
3. Press the ENTER key to enter into JOG operation mode.



4. Press the MODE key to enter into servo ON (servomotor power ON) status.



5. Press the MODE key to switch between the servo ON and servo OFF status. The servo drive must be in servo ON status when the servomotor is running.
6. Press the INC or DEC key to rotate the servomotor.



7. Press the ENTER key to return to utility function mode display Fn002. Now the servo is OFF (servomotor power OFF).



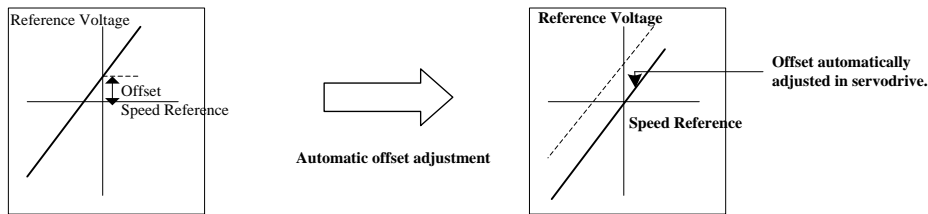
## 5.2.4 Automatic Adjustment of the Speed Reference Offset

When using the speed/torque (analog reference) control, the servomotor may rotate slowly even if 0V is specified as the analog voltage reference.

This happens if the host controller or external circuit has a slight offset (in the unit of mV) in the reference voltage.

The reference offset automatic adjustment mode automatically measures the offset and adjusts the reference voltage. It can adjust both speed and torque reference offset.

The servo drive automatically adjusts the offset when the host controller or external circuit has the offset in the reference voltage.



After completion of the automatic adjustment, the amount of offset is stored in the servo drive. The amount of offset can be checked in the speed reference offset manual adjustment mode (Fn004). Refer to **4.5.3 (2) Manual Adjustment of the Speed Reference Offset**.

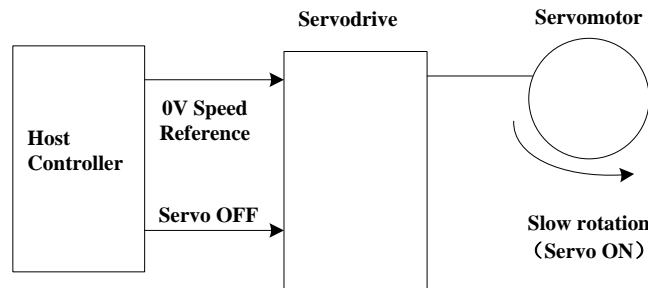
The automatic adjustment of reference offset (Fn003) cannot be used when a position loop has been formed with a host controller and the error pulse is changed to zero at the servomotor stop due to servolock. Use the speed reference offset manual adjustment for a position loop.

The zero-clamp speed control function can be used to force the servomotor to stop while the zero speed reference is given.

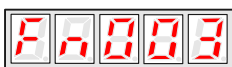
**Note:** The speed reference offset must be automatically adjusted with the servo OFF.

Adjust the speed reference offset automatically in the following procedure.

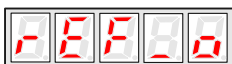
1. Turn OFF the servo drive, and input the 0V reference voltage from the host controller or external circuit.



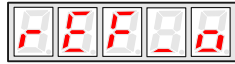
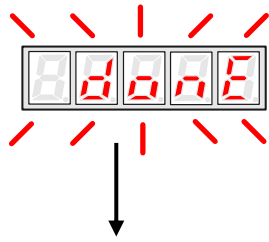
2. Press the MODE key to select the utility function mode.
3. Press the INC or DEC key to select the utility function number Fn003.



4. Press the ENTER key to enter into the speed reference offset automatic adjustment mode.



5. Press the MODE key for more than one second, the reference offset will be automatically adjusted.



6. Press the ENTER key to return to the utility function mode display Fn003.



7. Thus, the speed reference offset automatic adjustment is complete.

## 5.2.5 Manual Adjustment of the Speed Reference Offset

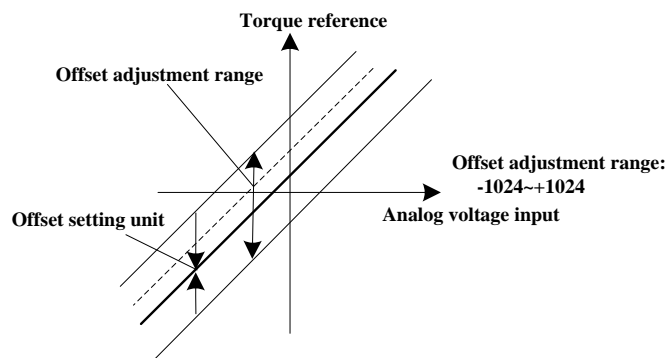
Manual adjustment of the speed/torque reference offset is used in the following cases:

- If a position loop is formed with the host controller and the error is zeroed when servolock is stopped.
- To deliberately set the offset to some value.

Use this mode to check the offset data that was set in the automatic adjustment mode of the speed/torque reference offset.

This mode operates in the same way as the automatic adjustment mode, except that the amount of offset is directly input during the adjustment.

The offset adjustment range and setting unit are as follows.



Note:

When the offset using in automatic adjustment exceeds the manual adjustment range (-1024~+1024), manual adjustment will be invalid.

Adjust the analog reference offset manually in the following procedure:

1. Press the MODE key to select the utility function mode.
2. Press the INC or DEC key to select the utility function number Fn004.



3. Press the ENTER key to enter into the speed reference offset manual adjustment mode.



4. Turn ON the servo-ON signal, the display is shown as follows:



5. Hold the ENTER key, the speed reference offset will be displayed.



6. Press the INC or DEC key to change the offset.

7. Hold the ENTER key to return to the display in step 4.

8. Press ENTER key to return to the utility function mode display Fn004..



Thus, the speed reference offset manual adjustment is complete.

## 5.2.6 Offset-adjustment of Servomotor Current Detection Signal

Automatic servomotor current detection offset adjustment is performed at ESTUN before shipping. Basically, the user does not need to perform this adjustment.

Perform this adjustment only if highly accurate adjustment is required for reducing torque ripple caused by current offset.

This section describes the automatic and manual servomotor current detection offset adjustment.

### Note:

- Offset-adjustment of the servomotor current detection signal is possible only while power is supplied to the main circuit power supply and with the servo is the OFF state.
- Execute the automatic offset adjustment if the torque ripple is too big when compared with that of other servo drives.
- If this function, particularly manual adjustment, is executed carelessly, it may worsen the characteristics.

### ■ Automatic Offset-adjustment of Servomotor Current Detection Signal

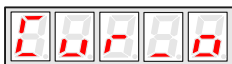
Adjust the servomotor current detection signal automatically in the following procedure:

1. Press the MODE key to select the utility function mode.

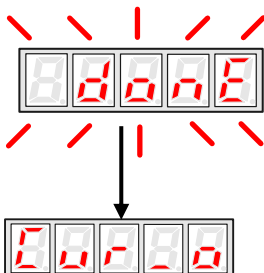
2. Press the INC or DEC key to select the utility function number Fn005.



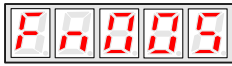
3. Press the ENTER key to enter into the automatic adjustment of the servomotor current detection signal mode.



4. Press the MODE key, the display will blink for one second. The offset will be automatically adjusted.



5. Press the ENTER key to return to the utility function mode display Fn005.



Thus, the automatic offset-adjustment of the servomotor current detection signal is complete.

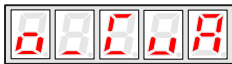
**Manual Offset-adjustment of Servomotor Current Detection Signal**

Adjust the servomotor current detection signal manually in the following procedure.

1. Press the MODE key to select the utility function mode.
2. Press the INC or DEC key to select the utility function number Fn006.



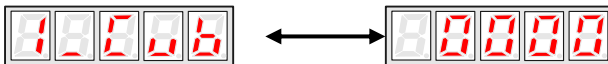
3. Press the ENTER key to enter into the manual adjustment of the servomotor current detection signal.



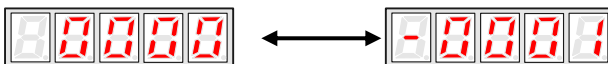
4. Press the MODE key to switch between the phase U(o \_ CuA) and phase V(1\_ Cub) servomotor current detection offset adjustment.



5. Hold the ENTER key for one second to display the phase V offset amount.



6. Press the INC or DEC key to adjust the offset.



7. Press the ENTER key for one second to return to the display in step 3 or 4.
8. Press the ENTER key to return to the utility function mode display Fn006.



Thus, the manual offset-adjustment of the servomotor current detection signal is completed.

---

**Note:**

The adjusting range of the servomotor current detection offset is -1024 to +1024.

---



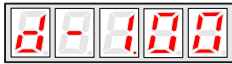
## 5.2.7 Software Version Display

Select Fn007 in utility function mode to check the current software version of the drive.

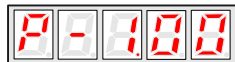
1. Press the MODE key to select the utility function mode.
2. Press the INC or DEC key to select the utility function number Fn007.



3. Press the ENTER key to display the DSP software version (the highest bit displays d or E or F or 0).



4. Press the MODE key to display the FPGA/CPLD software version (the highest bit displays P).

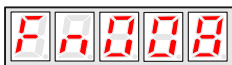


5. Press the MODE key to return to DSP software version display.
6. Press the ENTER key to return to the utility function mode display Fn007.

## 5.2.8 Position Teaching Function

Perform the position teaching function in the following procedure.

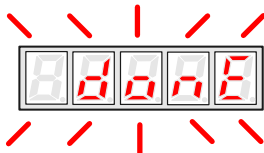
1. Press the MODE key to select the utility function mode.
2. Press the INC or DEC key to select the utility function number Fn008.



3. Press the ENTER key, the display will be shown as below.



4. Press the ENTER key, the display will be shown as below.



5. Release the ENTER key to complete position teaching function.

## 5.2.9 Static Inertia Detection

1. Press the MODE key to select the utility function mode.
2. Press the INC or DEC key to select the utility function number Fn009.



3. Press the ENTER key, the display will be shown as below.



4. Press the MODE key to rotate the servomotor, and the servomotor dynamic speed will be displayed.
5. The unit of the servomotor and load total inertia displayed when servomotor stops is kg.cm<sup>2</sup>

Thus, the static inertia detection is complete.

---

**Note:** Make sure that the servomotor completes at least 6 full revolutions in the CCW direction before detection.

---

## 5.2.10 Absolute Encoder Multiturn Data and Alarm Reset

1. Press the MODE key to select the utility function mode.
2. Press the INC or DEC key to select the utility function number Fn010.

The LED display shows the text "FA010" in red characters on a black background.

3. Press the ENTER key, the display will be shown as below.

The LED display shows the text "E-PAS" in red characters on a black background.

4. Press the MODE key to reset the absolute encoder multiturn data and alarm.

The LED display shows the text "E-PAS" in red characters on a black background.

5. Thus the absolute encoder multiturn data and alarm reset is complete.

---

**Important:**

This function will clear the absolute position of the encoder; the mechanical safety must be noted.

When the multiturn data is cleared, other encoder alarms will be reset at the same time.

---

## 5.2.11 Absolute Encoder Related Alarms Reset

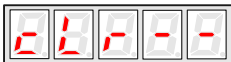
1. Press the MODE key to select the utility function mode.
2. Press the INC or DEC key to select the utility function number Fn011.

The LED display shows the text "FA011" in red characters on a black background.

3. Press the ENTER key, the display will be shown as below.

The LED display shows the text "E-ERR" in red characters on a black background.

4. Press the MODE key to clear the alarms.

The LED display shows the text "E-ERR" in red characters on a black background.

5. Thus the absolute encoder related alarms reset is complete.

# Chapter 6

## MODBUS Communication

### 6.1 RS-485 Communication Wiring

ProNet series servo drives provide the MODBUS communication function with RS-485 interface, which can be used to easily set parameters or to perform monitoring operations and so on.

The definitions of the servo drive communication connector terminals are as follows.

CN3:

Terminal No.	Name	Function
1	—	Reserved
2	—	
3	485+	RS-485 communication terminal
4	ISO_GND	Isolated ground
5	ISO_GND	
6	485-	RS-485 communication terminal
7	CANH	CAN communication terminal
8	CANL	CAN communication terminal

Note: Do not short terminal 1 and 2 of CN3.

CN4:

Terminal No.	Name	Function
1	—	Reserved
2	—	Reserved
3	485+	RS-485 communication terminal
4	ISO_GND	Isolated ground
5	ISO_GND	
6	485-	RS-485 communication terminal
7	CANH	CAN communication terminal
8	CANL	CAN communication terminal

Note:

1. The length of the cable should be less than 100 meters and in a environment with minimal electrical disturbance/interference. However, if the transmission speed is above 9600bps, please use the communication cable within 15 meters to ensure transmission accuracy..
2. A maximum of 31 servo drives can be connected when RS485 is used. Terminating resistances are used at both ends of the 485 network. If more devices are wanted to connect, use the repeaters to expand.
3. CN3 of servo drive is always used as communication cable input terminal, and CN4 is always used as communication cable output terminal (If still need to connect slave stations, the communication cable is connected from CN4 terminal to the next slave station; if need not, add balance resistor in CN4 terminal.). It is prohibited to connect CN3 of any two servo

drives directly when multiple ProNet series servo drives are connected.

**Example:**

When a RS-485 network is composed of a PLC and three servo drives (A, B, and C), the cable wiring is shown as follows:  
 PLC→CN3 of A, CN4 of A→CN3 of B, CN4 of B→CN3 of C, CN4 of C→120Ω terminating resistance.

## 6.2 MODBUS Communication Related Parameters

Parameter No.	Description	Setting Validation	Control Mode	Meaning
Pn700	Hex	After restart	ALL	<p><b>Pn700.0 MODBUS baud rate</b></p> <p>[0] 4800bps                      [1] 9600bps                      [2] 19200bps</p> <p><b>Pn700.1 Communication protocol selection</b></p> <p>[0] 7, N, 2 (MODBUS,ASCII)                      [1] 7, E, 1 (MODBUS,ASCII)                      [2] 7, O, 1 (MODBUS,ASCII)                      [3] 8, N, 2 (MODBUS,ASCII)                      [4] 8, E, 1 (MODBUS,ASCII)                      [5] 8, O, 1 (MODBUS,ASCII)                      [6] 8, N, 2 (MODBUS,RTU)                      [7] 8, E, 1 (MODBUS,RTU)                      [8] 8, O, 1 (MODBUS,RTU)</p> <p><b>Pn700.2 Communication protocol selection</b></p> <p>[0] SCI communication with no protocol                      [1] MODBUS SCI communication</p> <p><b>Pn700.3 Reserved</b></p>
Pn701	Axis address	After restart	ALL	Axis address of MODBUS protocol communication

## 6.3 MODBUS Communication Protocol

MODBUS communication protocol is only used when Pn700.2 is set to 1. There are two modes for MODBUS communication: ASCII (American Standard Code for information interchange) mode and RTU (Remote Terminal Unit) mode.

The next section describes the two communication modes.

### 6.3.1 Code Meaning

#### ASCII Mode:

Every 8-bit data is consisted by two ASCII characters. For example: One 1-byte data 64 H (Hexadecimal expression) is expressed as ASCII code '64', which contains '6' as ASCII code 36<sub>H</sub> and '4' as ASCII code 34<sub>H</sub>.

ASCII code for number 0 to 9、character A to F are as follows:

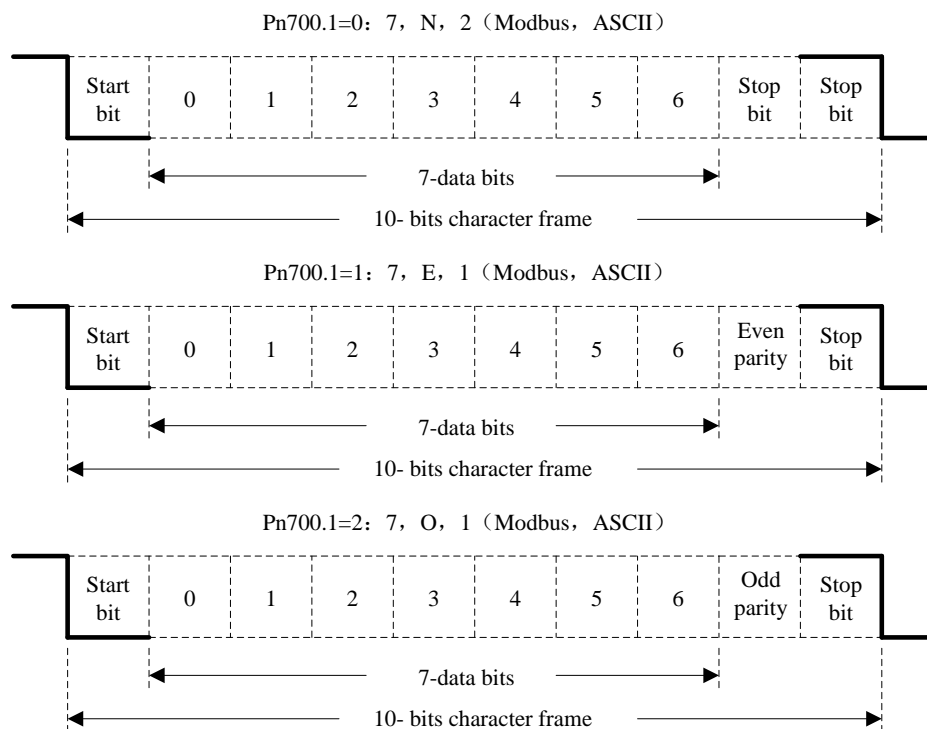
Character	'0'	'1'	'2'	'3'	'4'	'5'	'6'	'7'
ASCII Code	30 <sub>H</sub>	31 <sub>H</sub>	32 <sub>H</sub>	33 <sub>H</sub>	34 <sub>H</sub>	35 <sub>H</sub>	36 <sub>H</sub>	37 <sub>H</sub>
Character	'8'	'9'	'A'	'B'	'C'	'D'	'E'	'F'
ASCII Code	38 <sub>H</sub>	39 <sub>H</sub>	41 <sub>H</sub>	42 <sub>H</sub>	43 <sub>H</sub>	44 <sub>H</sub>	45 <sub>H</sub>	46 <sub>H</sub>

#### RTU Mode:

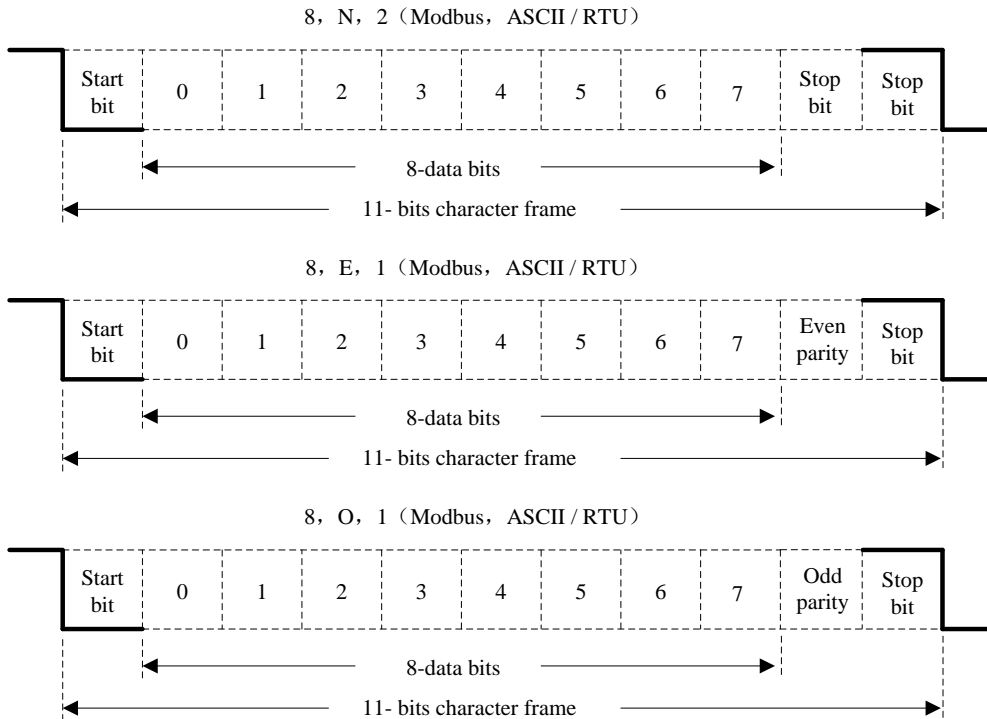
Every 8-bit data is consisted by two 4-bit hexadecimal data, that is to say, a normal hexadecimal data. For example: decimal data 100 can be expressed as 64<sub>H</sub> by 1-byte RTU data.

Data Structure:

#### 10-bit character form (7-bit data)



**11-bit character form (8-bit data)**



Communication protocol structure:

Data format of communication protocol:

**ASCII Mode:**

STX	Start character: ' => (3A <sub>H</sub> )
ADR	Communication address => 1-byte contains two ASCII codes
CMD	Reference code => 1-byte contains two ASCII codes
DATA(n-1)	Data content => n-word=2n-byte contain 4n ASCII codes, n ≤ 12
.....	
DATA(0)	
LRC	Checking code => 1-byte contains two ASCII codes
End 1	End code 1 => (0D <sub>H</sub> ) (CR)
End 0	End code 0 => (0A <sub>H</sub> ) (LF)

**RTU Mode:**

STX	Sleep interval of at least 4 bytes transmission time.
ADR	Communication address => 1-byte
CMD	Reference code => 1-byte
DATA(n-1)	Data content => n-word=2n-byte, n ≤ 12
.....	
DATA(0)	
CRC	CRC checking code => 1-byte
End 1	Sleep interval of at least 4 bytes transmission time.

Communication protocol data format instructions are as follows:

**STX (communication start)**

ASCII mode: ':' character

RTU mode: Sleep interval of at least 4 bytes transmission time (automatically changed according to different communication speed).

**ADR (communication address)**

Valid communication address: 1 to 254

For example: communicate with the servo drive which address is 32 (20 in hex):

ASCII mode: ADR='2', '0'=>'2'=32<sub>H</sub>, '0'=30<sub>H</sub>

RTU mode: ADR=20<sub>H</sub>

**CMD (command reference) and DATA (data)**

Data structure is determined by command code. Regular command code is shown as follows:

Command code: 03<sub>H</sub>, read N words(word), N ≦ 20.

For example: read 2 words starting from 0200<sub>H</sub> from the servo drive which address is 01<sub>H</sub>.

**ASCII mode:**

Reference information:

STX	“: ”
ADR	'0'
	'1'
CMD	'0'
	'3'
Data start address	'0'
	'2'
	'0'
	'0'
Data number (count as word)	'0'
	'0'
	'0'
	'2'
LRC checking	'F'
	'8'
End 1	(0D <sub>H</sub> )(CR)
End 0	(0A <sub>H</sub> )(LF)

Response information:

STX	“: ”
ADR	'0'
	'1'
CMD	'0'
	'3'
Data number (count as byte)	'0'
	'4'
Content of data start address 0200 <sub>H</sub>	'0'
	'0'
	'B'
Content of second data address 0201 <sub>H</sub>	'1'
	'F'
	'4'
	'0'
LRC checking	'E'
	'8'
End 1	(0D <sub>H</sub> )(CR)
End 0	(0A <sub>H</sub> )(LF)

**RTU mode:**

Reference information:

ADR	01 <sub>H</sub>
CMD	03 <sub>H</sub>
Data start address	02 <sub>H</sub> (high-bit)
	00 <sub>H</sub> (low-bit)
Data number (count as word)	00 <sub>H</sub>
	02 <sub>H</sub>
CRC checking	C5 <sub>H</sub> (low-bit)
CRC checking	B3 <sub>H</sub> (high-bit)

Response information:

ADR	01 <sub>H</sub>
CMD	03 <sub>H</sub>
Data number (count as byte)	04 <sub>H</sub>
Content of data start address 0200 <sub>H</sub>	00 <sub>H</sub> (high-bit)
	B1 <sub>H</sub> (low-bit)
Content of second data address 0201 <sub>H</sub>	1F <sub>H</sub> (high-bit)
	40 <sub>H</sub> (low-bit)
CRC checking	A3 <sub>H</sub> (low-bit)
CRC checking	D3 <sub>H</sub> (high-bit)

Reference code: 06<sub>H</sub>, write in one word

For example: write 100 (0064<sub>H</sub>) into 01<sub>H</sub> servo address 0200<sub>H</sub>.

**ASCII mode:**

Reference information:

STX	“: ”
ADR	'0'
	'1'
CMD	'0'
	'6'
Data start address	'0'
	'2'
	'0'
	'0'
Data content	'0'
	'0'
	'6'
	'4'
LRC checking	'9'
	'3'
End 1	(0D <sub>H</sub> )(CR)
End 0	(0A <sub>H</sub> )(LF)

Response information:

STX	“: ”
ADR	'0'
	'1'
CMD	'0'
	'6'
Data start address	'0'
	'2'
	'0'
	'0'
Content of data start address 0200 <sub>H</sub>	'0'
	'0'
	'6'
	'4'
LRC checking	'9'
	'3'
End 1	(0D <sub>H</sub> )(CR)
End 0	(0A <sub>H</sub> )(LF)

**RTU mode:**

Reference information:

ADR	01 <sub>H</sub>
CMD	06 <sub>H</sub>
Data start address	02 <sub>H</sub> (high-bit)
	00 <sub>H</sub> (low-bit)
Data content	00 <sub>H</sub> (high-bit)
	64 <sub>H</sub> (low-bit)
CRC checking	89 <sub>H</sub> (low-bit)
CRC checking	99 <sub>H</sub> (high-bit)

Response information:

ADR	01 <sub>H</sub>
CMD	06 <sub>H</sub>
Data start address	02 <sub>H</sub> (high-bit)
	00 <sub>H</sub> (low-bit)
Data content	00 <sub>H</sub> (high-bit)
	64 <sub>H</sub> (low-bit)
CRC checking	89 <sub>H</sub> (low-bit)
CRC checking	99 <sub>H</sub> (high-bit)

LRC (ASCII mode) and CRC (RTU mode) error detection value calculation:

**LRC calculation in ASCII mode:**

ASCII mode uses LRC (Longitudinal Redundancy Check) error detection value. The exceeded parts (e.g. the total value is 128<sub>H</sub> of hex, then take 28<sub>H</sub> only) is taken off by the unit of 256 in the total value from ADR to the last information, then calculate and compensate, the final result is LRC error detection value.



For example: read 1 word from 01<sub>H</sub> servo address 0201<sub>H</sub>

STX	‘:’
ADR	‘0’
	‘1’
CMD	‘0’
	‘3’
Data start address	‘0’
	‘2’
	‘0’
	‘1’
Data number (count as word)	‘0’
	‘0’
	‘0’
	‘1’
LRC checking	‘F’
	‘8’
End 1	(0D <sub>H</sub> )(CR)
End 0	(0A <sub>H</sub> )(LF)

**Add from ADR data to the last data.**

$$01_H + 03_H + 02_H + 01_H + 00_H + 01_H = 08_H$$

The compensate value is F8<sub>H</sub> when 2 is used to compensate 08<sub>H</sub>, so LRC is “F”, “8”.

**CRC calculation of RTU mode:**

RTU mode uses CRC (Cyclical Redundancy Check) error detection value.

The process of CRC error detection value calculation is shown as follows:

Step 1: Load in a 16-bit register of FFFF<sub>H</sub>, named “CRC” register.

Step 2: Run XOR calculation between the first bit (bit 0) of instruction information and 16-bit CRC register's low bit (LSB), and the result is saved to CRC register.

Step 3: Check the lowest bit (LSB) of CRC register, if it is 0, CRC register moves one bit to right; if it is 1, CRC register moves one bit to right, then run XOR calculation with A001<sub>H</sub>;

Step 4: Go to step 5 till the third step has been executed for 8 times, otherwise return to step 3.

Step 5: Repeat the steps from 2 to 4 for the next bit of instruction information, the content of CRC register is the CRC error detection value while all the bits have been executed by the same way.

Note: After calculating out the CRC error detection value, the CRC low bit should be filled first in instruction information, and then fill the high bit of CRC.

Please refer to the following example:

Read 2 words from the 0101<sub>H</sub> address of 01<sub>H</sub> servo. The final CRC register content calculated from ADR to the last bit of data is 3794<sub>H</sub>, and then the instruction information is shown as follows,

Please be sure that 94<sub>H</sub> is transmitted before 37<sub>H</sub>.

ADR	01 <sub>H</sub>
CMD	03 <sub>H</sub>
Data start address	01 <sub>H</sub> (high-bit)
	01 <sub>H</sub> (low-bit)
Data number (count as word)	00 <sub>H</sub> (high-bit)
	02 <sub>H</sub> (low-bit)
CRC checking	94 <sub>H</sub> (low-bit)
CRC checking	37 <sub>H</sub> (high-bit)

**End1、End0 (Communication is complete.)**

**ASCII mode:**

Communication is ended with (0DH) - [carriage return] and (0AH) - [new line].

**RTU mode:**

When the time exceeds the sleep interval by at least 4 bytes transmission time while in the current communication speed, it means the communication is finished.

**Example:**

The following example uses C language to generate CRC value. The function needs two parameters.

```
unsigned char * data;
```

```
unsigned char length;
```

The function will return unsigned integer type CRC value.

```
unsigned int crc_chk(unsigned char * data,unsigned char length){
    int i,j;
    unsigned int crc_reg=0xFFFF;
    While(length- -){
        crc_reg ^=*data++;
        for(j=0;j<8;j++){
            If(crc_reg & 0x01){
                crc_reg=( crc_reg >>1)^0xA001;
            }else{
                crc_reg=crc_reg >>1;
            }
        }
    }
    return crc_reg;
}
```

## 6.3.2 Communication Error Disposal

Problems that occur during communication are a result of the following:

- Data address is incorrect while reading/writing parameters.
- The data is not within the parameter setting range while writing.
- Data transmission fault or checking code fault when communication is disturbed.

When the first and second communication faults occur, the servo drive is running normally, and will feed back an error frame.

When the third communication fault occurs, transmission data will be recognized as invalid to give up, and no error frame is returned.

The format of error frame:

### Host controller data frame:

start	Slave station address	Command	Data address,content	Checking
		command		

### Servo drive feeds back error frame:

start	Slave station address	Response code	Error code	Checking
		command+80 <sub>H</sub>		

Error frame responses code=command+80<sub>H</sub>

Error code=00<sub>H</sub>: Normal communication

=01<sub>H</sub>: Servo drive cannot identify the required functions

=02<sub>H</sub>: The required data address does not exist in the servo drive

=03<sub>H</sub>: The required data in servo drive is not allowed. (Beyond the maximum or minimum value of the parameter)

=04<sub>H</sub>: Servo drive starts to perform the requirement, but cannot achieve it.

**For example:** Servo drive axis number is 03<sub>H</sub>, write data 06<sub>H</sub> into parameter Pn100 is not allowed, because the range of parameter Pn100 is 0~0x0036. The servo drive will feedback an error frame, the error code is 03<sub>H</sub> (Beyond the parameter's maximum value or minimum value).

### Host controller data frame:

start	Slave station address	Command	Data address,content	Checking
	03 <sub>H</sub>	06 <sub>H</sub>	0002 <sub>H</sub> 0006 <sub>H</sub>	

### Servo drive feedback error frame:

start	Slave station address	Response code	Error code	Checking
	03 <sub>H</sub>	86 <sub>H</sub>	03 <sub>H</sub>	

Besides, if the data frame sent from host controller slave station address is 00<sub>H</sub>, it determines the data to be broadcast data. The servo drives will not feedback any frames.

### 6.3.3 Data Communication Address of Servo State

The communication parameter addresses are shown in the following table:

Communication data address	Meaning	Description	Operation
Hex			
0000 ~ 02FD	Parameter area	Corresponding parameters in parameter list	Read/write
07F1 ~07FA	Alarm information memory area	Ten alarms historical record	Read only
07FB	Speed reference zero offset		Read/write
07FC	Torque reference zero offset		Read/write
07FD	Iu zero offset		Read only
07FE	Iv zero offset		Read only
0806 ~ 0816	Monitor data (corresponding with displayed data)		
0806	Speed feedback	Unit:rpm	Read only
0807	Input speed reference value	Unit:rpm	Read only
0808	Input torque reference percentage	Relative rated torque	Read only
0809	Internal torque reference percentage	Relative rated torque	Read only
080A	Number of encoder rotation pulses		Read only
080B	Input signal state		Read only
080C	Encoder signal state		Read only
080D	Output signal state		Read only
080E	Pulse setting		Read only
080F	Low bits of present location	Unit:1 reference pulse	Read only
0810	High bits of present location	Unit:10000 reference pulses	Read only
0811	Error pulse counter low 16 bits		Read only
0812	Error pulse counter high 16 bits		Read only
0813	Setting pulse counter low bits	Unit:1 reference pulse	Read only
0814	Setting pulse counter high bits	Unit:10000 reference pulses	Read only
0815	Load inertia percentage	%	Read only
0816	Servomotor overloading proportion	%	Read only
0817	Current alarm		Read only
0818	Servomotor winding temperature	°C	Read only
0900	MODBUS communication IO signal	Do not save when power off.	Read/write
090E	DSP version	Version is expressed by digit.	Read only
090F	CPLD version	Version is expressed by digit.	Read only

Communication data address	Meaning	Description	Operation
Hex			
1010	17-bit encoder multi-turn information	Unit:1 revolution	Read only. Only for 17-bit Encoder. Multi-turn:16 bits Single-turn:17 bits
1011	17-bit encoder single-turn information	Unit:1 pulse	
1012	17-bit encoder single-turn information high bits		
1021	Clear historical alarms	01:Clear	Write only
1022	Clear current alarms	01:Clear	Write only
1023	JOG servo enabled	01:Enable 00:Disable	Write only
1024	JOG forward rotation	01:Forward rotation 00:Stop	Write only
1025	JOG reverse rotation	01:Reverse rotation 00:Stop	Write only
1026	JOG forward rotation at node position( start signal has been set)	01:Forward rotation 00:Stop	
1027	JOG reverse rotation at node position(start signal has been set)	01:Reverse rotation 00:Stop	
1028	Pause at node position	01:Pause 00:Cancel pause	
1040	Clear encoder alarm	01:Clear	Write only
1041	Clear encoder multi-turn data	01:Clear	Only 17-bit encoder
1070	Position teaching function	01:Start	Write only

Note:

1. Parameter area (communication address 0000~00DE<sub>H</sub>)

Parameter address is relevant to the parameters in the parameter list.

For example, parameter Pn000 is relevant to communication address 0000<sub>H</sub>; parameter Pn101 is relevant to communication address 0065<sub>H</sub>. Read/write operation to address 0000<sub>H</sub> is the read/write operation to Pn000. If the communication input data is not within the parameter range, the data will be aborted, and servo drive will return an operation unsuccessful signal.

2. Alarm information storage area (07F1~07FA<sub>H</sub>)

Historical alarm number	Description	Communication address
0	Historical alarm 1 (the latest alarm)	07F1 <sub>H</sub>
1 ~ 8	Historical alarm 2 ~ 9	07F2 <sub>H</sub> ~ 07F9 <sub>H</sub>
9	Historical alarm 10 (the furthest alarm)	07FA <sub>H</sub>

3. Monitor data area (0806~0816<sub>H</sub>)

The monitor data is corresponding to servo drive panel displays Un000~Un016.

For example: the corresponding data of communication address 0807<sub>H</sub> (speed setting) is FB16<sub>H</sub>.

Therefore, the speed setting is -1258r/m.

#### 4. MODBUS communication IO signal

Use communication to control digital IO signal. This data will not be saved after power off.

It is operated with Pn512 and Pn513 as the communication input IO signal. That is to say, when the parameters setting in Pn512 and Pn513 enable the IO bit, the IO can be controlled by communication.

#### 5. Software version (090F<sub>H</sub>)

Use digit to represent servo drive software version. For example, if the read out data is D201<sub>H</sub>, it means the software version is D-2.01.

# Chapter 7

## Specifications and Characters

### 7.1 Servo drive Specifications and Models

Servo drive Model: ProNet-		A5A	01A	02A	04A	08A	10A	15A	20A	30A	50A	10D	15D	20D	30D	50D	70D	75D	1AD	1ED	2BD	02B	04B	08B	
Servo drive Model: ProNet-E-		A5A	01A	02A	04A	08A	10A	15A	20A	30A	50A	10D	15D	20D	30D	50D	—	—	—	—	—	—	02B	04B	08B
Applicable Servomotor Model:	EMJ-	A5A	01A	02A	04A	08A	10A	—	—	—	—	—	—	—	—	—	—	—	—	—	—	—	02B	04B	08B
	EMG-	—	—	—	—	—	10A	15A	20A	30A	50A	10D	15D	20D	30D	—	—	—	—	—	—	—	—	—	—
	EML-	—	—	—	—	—	10A	—	20A	30A	40A	10D	—	20D	30D	40D	—	—	—	—	—	—	—	—	—
	EMB-	—	—	—	—	—	—	—	—	—	—	—	—	—	—	—	—	75D	75D	1AD	1ED	2BD	—	—	—
	EMS-	—	—	02A	04A	08A	10A	15A	—	—	—	10D	15D	20D	25D 30D	40D 50D	—	—	—	—	—	—	—	—	—
Continuous Output Current[Arms]		1.0	1.1	1.4	2.8	4.0	6.0	9.0	12.0	18.0	28.0	3.2	5.0	6.4	9.0	15.0	18.0	18.0	28.0	38.0	55.0	2.7	5.8	8.2	
Max. Output Current [Arms]		3.0	3.3	4.2	8.4	12.0	18.0	28.0	42.0	45.0	62.0	9.6	15.0	19.2	27.0	45.0	48.0	48.0	65.0	100.0	128.0	8.1	15.1	24.6	
Main Input Power Supply Capacity [kVA]		0.2	0.3	0.5	0.9	1.3	1.8	2.5	3.5	4.5	7.5	1.8	2.8	3.5	5.0	8.2	12.0	12.0	18.0	22.0	32.0	0.5	0.9	1.3	
DC24V Power Supply Capacity [W]		—	—	—	—	—	—	—	—	—	—	30.0	30.0	30.0	45.0	45.0	45.0	45.0	—	—	—	—	—	—	
Input Power Supply	Main Circuit	Single-Phase 200~230VAC +10%~-15% (50/60Hz)				Three-phase 200~230VAC +10%~-15% (50/60Hz)						Three-phase 380~440VAC +10%~-15%(50/60Hz)								Single-phase 100~120VAC +10%~-15% (50/60Hz)					
	Control Circuit	Single-phase 200~230VAC +10%~-15% (50/60Hz)						24VDC +10%~-15%						Single-phase 380~440VAC +10%~-15%(50/60Hz)			Single-phase 100~120VAC +10%~-15% (50/60Hz)								
Control Method		SVPWM Control																							

Servo drive Model: ProNet-		A5A	01A	02A	04A	08A	10A	15A	20A	30A	50A	10D	15D	20D	30D	50D	70D	75D	1AD	1ED	2BD	02B	04B	08B		
Servo drive Model: ProNet-E-		A5A	01A	02A	04A	08A	10A	15A	20A	30A	50A	10D	15D	20D	30D	50D	—	—	—	—	—	02B	04B	08B		
Feedback		Serial Encoder: 131072P/R /1048576 P/R																								
		Resolver: 65536P/R (Max.)																								
		Incremental Wire-saving type:2500 P/R																								
Operating Conditions	Ambient/Storage Temperature		Ambient temperature: 0~+55℃ Storage temperature: -25~+85℃																							
	Ambient/Storage Humidity		5%~95% RH (with no condensation)																							
	Elevation		1000m or less																							
	Vibration/ShockResistance		Vibration Resistance: 4.9m/s <sup>2</sup> , Impact Resistance: 19.6m/s <sup>2</sup>																							
	Electric Power System		TN system *3																							
Configuration		Base-mounted																								
Performance	Speed Control Range		1:5000																							
	Speed Regulation	Load Regulation		0~100% load: ±0.01% or less (at rated speed)																						
		Voltage Regulation		Rated voltage ±10%: 0% (at rated speed)																						
		Temperature Regulation		25±25℃: ±0.1% or less (at rated speed)																						
Torque Control	Analog Reference Input	Reference Voltage		±10VDC at rated torque (Variable setting range:±0~10VDC) Max. input voltage: ±12V																						
		Input Impedance		About 10MΩ or above																						
		Circuit Time Constant		10μs																						
Speed Control	Analog Input Reference	Reference Voltage		±10VDC at rated speed (Variable setting range:±0~10VDC) Max. input voltage: ±12V																						
		Input Impedance		About 10MΩ or above																						
		Circuit Time Constant		10μs																						
	Speed Selection	Rotation Direction Selection		With /P-CON signal																						
		Speed Selection		Speed 1 to 7																						

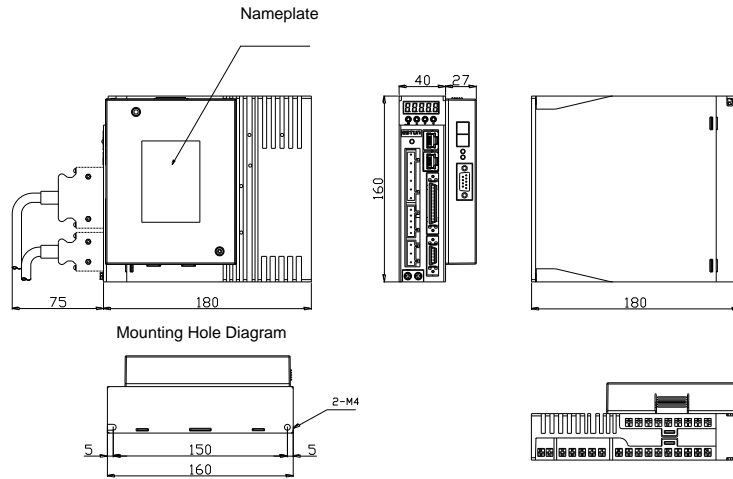


Servo drive Model: ProNet-			A5A	01A	02A	04A	08A	10A	15A	20A	30A	50A	10D	15D	20D	30D	50D	70D	75D	1AD	1ED	2BD	02B	04B	08B	
Servo drive Model: ProNet-E-			A5A	01A	02A	04A	08A	10A	15A	20A	30A	50A	10D	15D	20D	30D	50D	—	—	—	—	—	02B	04B	08B	
	Function	Soft Start Setting	0~10s (Can be set individually for acceleration and deceleration.)																							
Position Control	Pulse Reference	Type	Sign + pulse train;CCW + CW pulse train; 90°phase difference 2-phase (phase A + phase B)																							
		Form	Non-insulated line driver (about + 5V), open collector																							
	Frequency	x1 multiplier: 4Mpps x2 multiplier: 2Mpps x4 multiplier: 1Mpps Open collector: 200Kpps Frequency will begin to decline when the duty ratio error occurs..																								
Position Reference Setting	Position Setting	16 position nodes can be set.																								
I/O Signals	Encoder Dividing Pulses Output		Phase-A, phase-B, phase-C, line driver output Number of dividing pulses: any																							
	Sequence Input	Number of channels	8 channels																							
		Function	Signal allocations and positive/negative logic modifications: Servo ON (/S-ON), P control (/P-CON), alarm reset (/ALM-RST), position error clear (/CLR), forward run prohibited (P-OT), reverse run prohibited (N-OT), forward current limit (/P-CL), reverse current limit (/N-CL) and so on.																							
	Sequence Output	Number of channels	4 channels																							
		Function	Signal allocations and positive/negative logic modifications: Positioning completion(/COIN), speed coincidence(/V-CMP),servomotor rotation detection(/TGON), servo ready(/S-RDY),torque limit output(/CLT), brake interlock output (/BK), encoder C pulse(/PGC) and Over travel (/OT) .																							
	Regenerative Functions		0.75kW~7.5kW: internal regenerative resistor; 11kW~22kW: external regenerative resistor																							
	Protection Functions		Overcurrent, overvoltage,low voltage, overload,regeneration error,overspeed,etc.																							
	Utility Function		Alarm trace back、JOG operation、load inertia detection, etc.																							
	Display Function		CHARGE (Red)、POWER (Green)、five 7-segment LEDS (Built-in panel operator)																							
	Communication Function		RS-485 communication port,MODBUS protocol ;CAN communication port,CANopen protocol; EtherCAT communication module,CiA402 protocol;POWERLINK communication module,CiA402 protocol																							

## 7.2 Servo drive Dimensional Drawings

### ■ ProNet- A5A/01A/02A/02B//04A ProNet-E- A5A/01A/02A/02B//04A

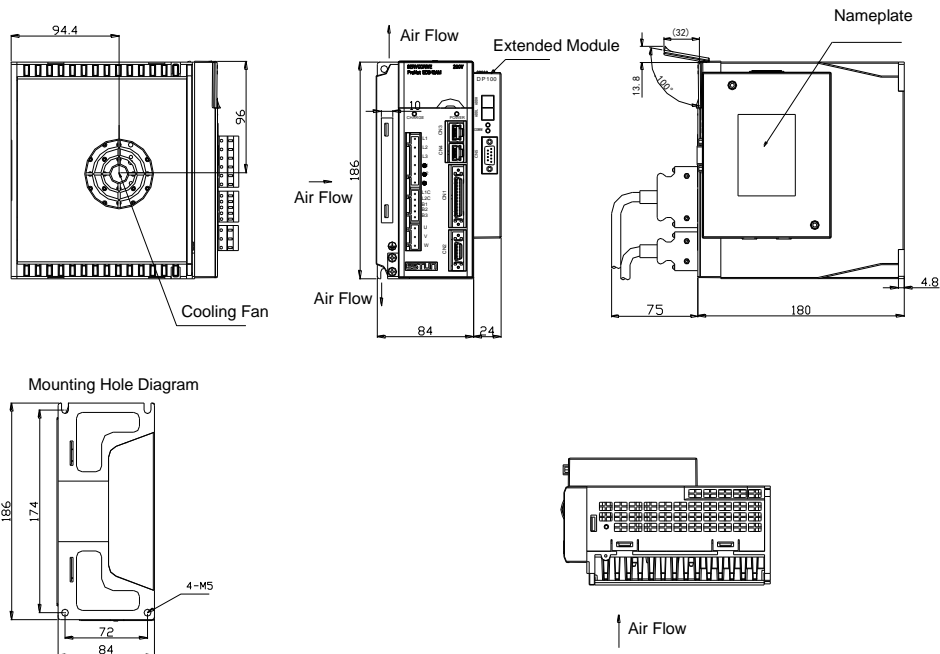
Unit:mm



Note: ProNet-E does not support extended module.

### ■ ProNet-04B/08A/10A ProNet-E-04B/08A/10A

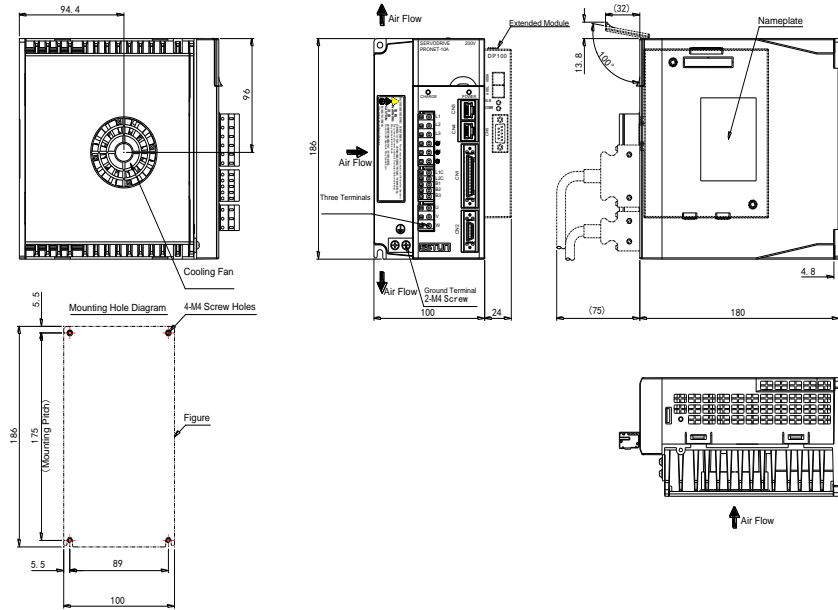
Unit: mm



Note: ProNet-E does not support extended module.

■ ProNet-08B/10D/15A/15D/20A/20D  
ProNet-E-08B/10D/15A/15D/20A/20D

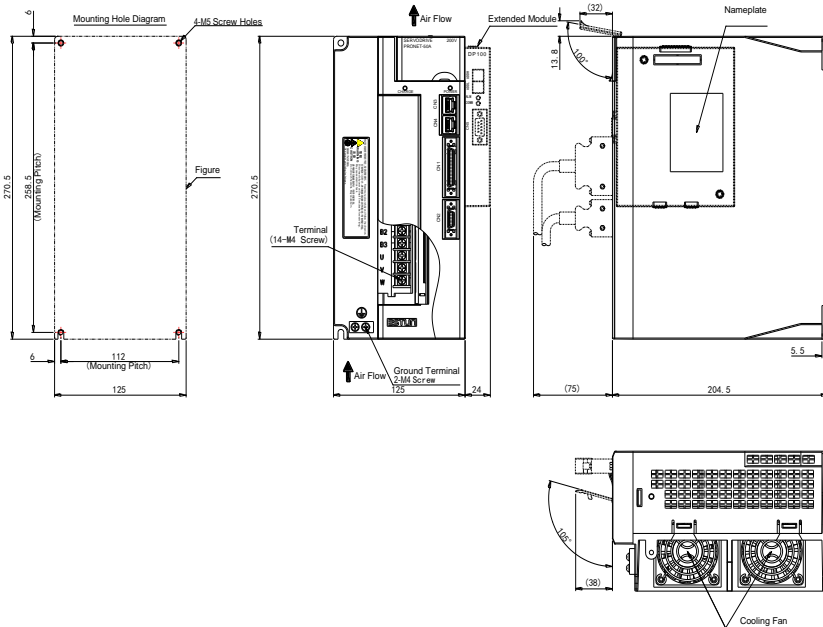
Unit:mm



Note: ProNet-E does not support extended module.

■ ProNet-30A/30D/50A/50D/70D  
ProNet-E-30A/30D/50A/50D

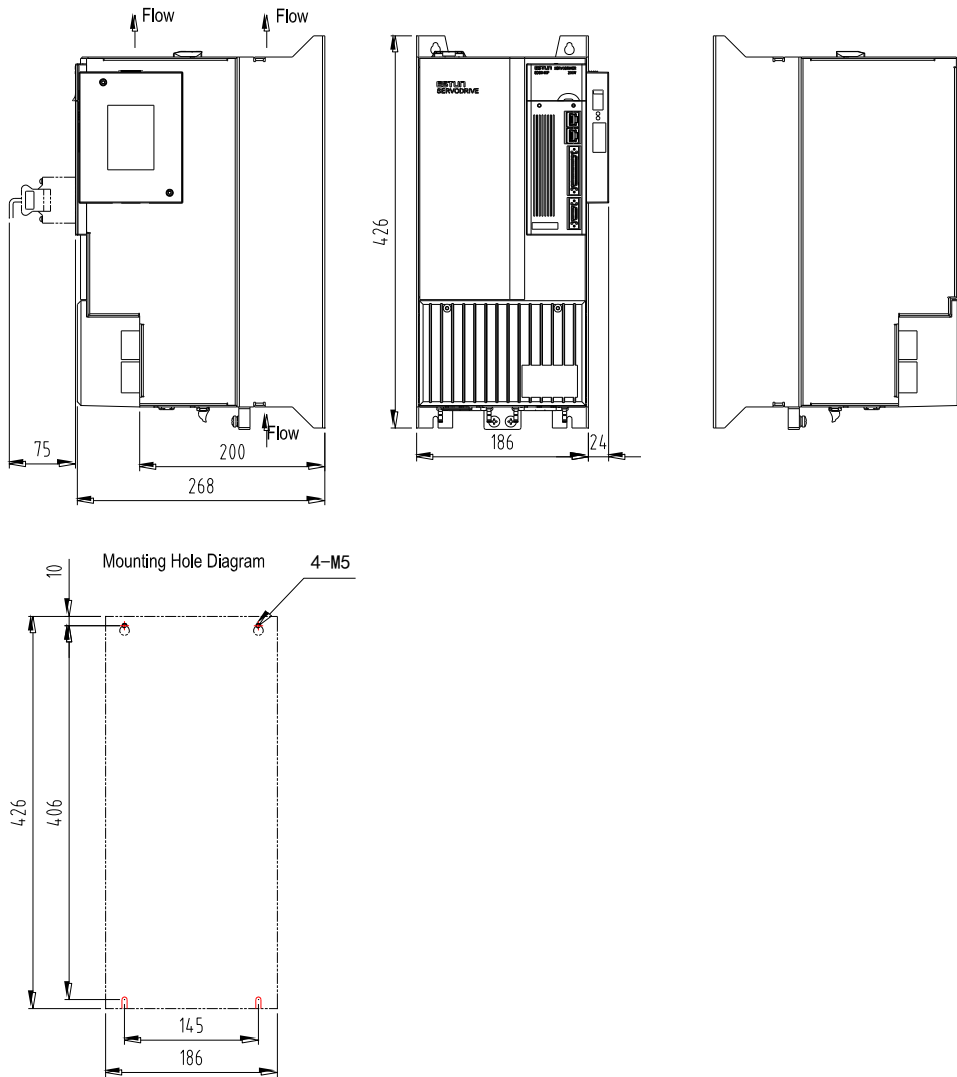
Unit:mm



Note: ProNet-E does not support extended module.

■ ProNet-75D/1AD/1ED/2BD

Unit:mm



## Appendix A

## Parameter

## A.1 Parameter List

Parameter No.	Name	Unit	Setting Range	Factory Setting	Setting Invalidation
Pn000	<b>Binary</b> Pn000.0: Servo ON Pn000.1: Forward rotation input signal prohibited (P-OT) Pn000.2: Reverse rotation input signal prohibited (N-OT) Pn000.3: Alarm output when instantaneous power loss	—	0~1111	0	After restart
Pn001	<b>Binary</b> Pn001.0: CCW,CW selection Pn001.1: Analog speed limit enabled Pn001.2: Analog torque limit enabled Pn001.3: 2nd electronic gear enabled	—	0~1111	0	After restart
Pn002	<b>Binary</b> Pn002.0: Electronic gear switching mode Pn002.1: Reserved Pn002.2: Absolute encoder selection Pn002.3: Reserved	—	0~0111	0010	After restart
Pn003	<b>Binary</b> Pn003.0: Reserved Pn003.1: Reserved Pn003.2: Low speed compensation Pn003.3: Overload enhancement	—	0~1111	0	After restart
Pn004	<b>Hex</b> Pn004.0: Stop mode Pn004.1: Error counter clear mode Pn004.2: Reference pulse form Pn004.3: Inverses pulse	—	0~0x3425	0	After restart

Parameter No.	Name	Unit	Setting Range	Factory Setting	Setting Invalidation
Pn005	<b>Hex</b> Pn005.0: Torque feedforward mode Pn005.1: Control mode Pn005.2: Out-of-tolerance alarm selection Pn005.3: Servomotor model	—	0~0x33E3	0	After restart
Pn006	<b>Hex</b> Pn006.0: Bus mode Pn006.1: Reserved Pn006.2: Low-frequency vibration suppression switch Pn006.3: Reference input filter for open collector signal	—	0~0x2133	0x0020	After restart
Pn007	<b>Binary</b> Pn007.0: Wider the width of C pulse or not Pn007.1: Reserved Pn007.2: Reserved Pn007.3: Torque filter	—	0~0x1111	0	After restart
Pn008	<b>Hex</b> Pn008.0: Reserved (For factory using) Pn008.1: Reserved Pn008.2: Reserved Pn008.3: Reserved	—	0~0x0001	0	After restart
Pn009	<b>Binary</b> Pn009.0: Reserved Pn009.1: Reserved Pn009.2: Electronic gear selection Pn009.3: Reserved	—	0~0100	0	After restart
Pn010	<b>Hex</b> Pn010.0: Automatic identification function of motor enable Pn010.1: Notch filter mode selection Pn010.2: Torque observer mode selection Pn010.3: Reserved	—	0~0x0221	0x0000	After restart
Pn100	<b>Online autotuning setting selection</b> Pn100.0: Load inertia setting Pn100.1: Online autotuning setting Pn100.2: Reserved Pn100.3: Reserved	—	0~0x0036	0x0011	After restart
Pn101	Machine rigidity setting	—	0~36	6	Immediately
Pn102	Speed loop gain	rad/s	1~4000	250	Immediately
Pn103	Speed loop integral time constant	0.1ms	1~4096	200	Immediately
Pn104	Position loop gain	1/s	0~1000	40	Immediately
Pn105	Torque reference filter time constant	0.01ms	0~2500	100	Immediately

Parameter No.	Name	Unit	Setting Range	Factory Setting	Setting Invalidation
Pn106	Load inertia ratio	%	0~20000	100	Immediately
Pn107	2nd speed loop gain	rad/s	1~4000	250	Immediately
Pn108	2nd speed loop integral time constant	0.1ms	1~4096	200	Immediately
Pn109	2nd position loop gain	rad/s	0~1000	40	Immediately
Pn110	2nd torque reference filter time constant	0.01ms	0~2500	100	Immediately
Pn111	Speed bias	rpm	0~300	0	Immediately
Pn112	Feedforward	%	0~100	0	Immediately
Pn113	Feedforward filter	0.1ms	0~640	0	Immediately
Pn114	Torque feedforward	%	0~100	0	Immediately
Pn115	Torque feedforward filter	0.1ms	0~640	0	Immediately
Pn116	P/PI switching condition	—	0~4	0	After restart
Pn117	Torque switching threshold	%	0~300	200	Immediately
Pn118	Offset counter switching threshold	reference pulse	0~10000	0	Immediately
Pn119	Setting acceleration speed switching threshold	10rpm/s	0~3000	0	Immediately
Pn120	Setting speed switching threshold	rpm	0~10000	0	Immediately
Pn121	Gain switching condition	—	0~8	0	After start
Pn122	Switching delay time	0.1ms	0~20000	0	Immediately
Pn123	Threshold switching level		0~20000	0	Immediately
Pn124	Actual speed threshold	rpm	0~2000	0	Immediately
Pn125	Position gain switching time	0.1ms	0~20000	0	Immediately
Pn126	Hysteresis switching	—	0~20000	0	Immediately
Pn127	Low speed detection filter	0.1ms	0~100	10	Immediately
Pn128	Speed gain acceleration relationship during online autotuning	—	0~3	3	Immediately
Pn129	Low speed correction coefficient	—	0~30000	0	Immediately
Pn130	Friction load	0.1%	0~3000	0	Immediately
Pn131	Friction compensation speed hysteresis area	rpm	0~100	0	Immediately
Pn132	Sticking friction load	0.1%/1000rpm	0~1000	0	Immediately
Pn133	Reserved	—	—	—	—
Pn134	Reserved	—	—	—	—
Pn135	Reserved	—	—	—	—
Pn136	Reserved	—	—	—	—
Pn137	Reserved	—	—	—	—
Pn138	Reserved	—	—	—	—
Pn139	Reserved	—	—	—	—
Pn140	Reserved	—	—	—	—
Pn141	Reserved	—	—	—	—
Pn142	Reserved	—	—	—	—
Pn143	Reserved	—	—	—	—

Parameter No.	Name	Unit	Setting Range	Factory Setting	Setting Invalidation
Pn144	Reserved	—	—	—	—
Pn146	Notch filters 1 trap width	—	0~15	2	Immediately
Pn147	Notch filters 2 trap width	—	0~15	2	Immediately
Pn148	Deviation amplitude of adaptive notch filters threshold	0.1rpm	0~1000	200	Immediately
Pn149	Deviation frequency of adaptive notch filters threshold	Hz	0~50	20	Immediately
Pn200	PG divided ratio	Puls	16~16384 (Pn840.0=3/4/5/7/8) 1~2500 (Pn840.0=6)	16384 (Pn840.0=3/4/5/7/8) 2500 (Pn840.0=6)	After restart
Pn201	16 bit 1st electronic gear numerator	—	1~65535	1	After restart
Pn202	16 bit electronic gear denominator	—	1~65535	1	After restart
Pn203	16 bit 2nd electronic gear numerator	—	1~65535	1	After restart
Pn204	Position reference Acceleration /deceleration time constant	0.1ms	0~32767	0	Immediately
Pn205	Position reference filter form selection	—	0~1	0	After restart
Pn300	Speed reference input gain	rpm/v	0~3000	150	Immediately
Pn301	Analog speed given zero bias	10mv	-1000~1000	0	Immediately
Pn302	Reserved	—	—	—	—
Pn303	Reserved	—	—	—	—
Pn304	Parameter speed	rpm	-6000~6000	500	Immediately
Pn305	JOG speed	rpm	0~6000	500	Immediately
Pn306	Soft start acceleration time	ms	0~10000	0	Immediately
Pn307	Soft start deceleration time	ms	0~10000	0	Immediately
Pn308	Speed filter time constant	ms	0~10000	0	Immediately
Pn309	S curve risetime	ms	0~10000	0	Immediately
Pn310	<b>Speed reference curve form</b> 0:Slope 1:S curve 2:1 <sup>st</sup> order filter 3:2 <sup>nd</sup> order filter	—	0~3	0	After restart
Pn311	S form selection	—	0~3	0	Immediately
Pn312	DP communication JOG speed	rpm	-6000~6000	500	Immediately
Pn313	Reserved	—	—	—	—
Pn314	Reserved	—	—	—	—
Pn315	Reserved	—	—	—	—
Pn316	Internal speed 1	rpm	-6000~6000	100	Immediately
Pn317	Internal speed 2	rpm	-6000~6000	200	Immediately
Pn318	Internal speed 3	rpm	-6000~6000	300	Immediately
Pn319	Internal speed 4	rpm	-6000~6000	-100	Immediately
Pn320	Internal speed 5	rpm	-6000~6000	-200	Immediately
Pn321	Internal speed 6	rpm	-6000~6000	-300	Immediately
Pn322	Internal speed 7	rpm	-6000~6000	500	Immediately
Pn400	Torque reference gain	0.1V/100%	10~100	33	Immediately



Parameter No.	Name	Unit	Setting Range	Factory Setting	Setting Invalidation
Pn401	Forward torque internal limit①	%	0~300	300	Immediately
Pn402	Reverse torque internal limit①	%	0~300	300	Immediately
Pn403	Forward external torque limit①	%	0~300	100	Immediately
Pn404	Reverse external torque limit①	%	0~300	100	Immediately
Pn405	Plug braking torque limit	%	0~300	300	Immediately
Pn406	Speed limit during torque control	rpm	0~6000	1500	Immediately
Pn407	Notch filter 1 frequency	Hz	50~5000	5000	Immediately
Pn408	Notch filter 1 depth	—	0~23	1	Immediately
Pn409	Notch filter 2 frequency	Hz	50~5000	5000	Immediately
Pn410	Notch filter 2 depth	—	0~23	1	Immediately
Pn411	Low frequency jitter frequency	0.1Hz	50~500	100	Immediately
Pn412	Low frequency jitter damp	—	0~200	25	Immediately
Pn413	Torque control delay time	0.1ms	1~2000	100	Immediately
Pn414	Torque control speed hysteresis	rpm	10~1000	50	Immediately
Pn415	Analog torque given zero bias	10mv	-1000~1000	0	Immediately
Pn500	Positioning error	Puls	0~5000	100	Immediately
Pn501	Coincidence difference	rpm	0~100	10	Immediately
Pn502	Zero clamp speed	rpm	0~3000	10	Immediately
Pn503	Rotation detection speed TGON	rpm	0~3000	20	Immediately
Pn504	Offset counter overflow alarm	256Puls	1~32767	1024	Immediately
Pn505	Servo ON waiting time	ms	-2000~2000	0	Immediately
Pn506	Basic waiting flow	10ms	0~500	0	Immediately
Pn507	Brake waiting speed	rpm	10~100	100	Immediately
Pn508	Brake waiting time	10ms	10~100	50	Immediately
Pn509	Allocate input signal to terminal	—	0~0xFFFF	0x3210	After restart
Pn510	Allocate input signal to terminal	—	0~0xFFFF	0x7654	After restart
Pn511	Allocate output signal to terminal	—	0~0x0999	0x0210	After restart
Pn512	Bus control input node low-bit enable	—	0~1111	0	Immediately
Pn513	Bus control input node low-bit enable	—	0~1111	0	Immediately
Pn514	Input port filter	0.2ms	0~1000	1	Immediately
Pn515	Alarm port filter	0.2ms	0~3	1	Immediately
Pn516	Input port signal inversion	—	0~1111	0	Immediately
Pn517	Input port signal inversion	—	0~1111	0	Immediately
Pn518	Dynamic brake time	0.5ms	50~2000	125	Immediately
Pn519	Serial encoder error time	0.1ms	0~10000	3	Immediately
Pn520	Position complete time	0.1ms	0~60000	500	Immediately
Pn521	If connect externally regenerative resistor 0: connect externally regenerative resistor between B1 and B2 1: dose not connect externally regenerative resistor, relay on internal capacitance (This parameter is in effect only on	—	0~1	1	Immediately

Parameter No.	Name	Unit	Setting Range	Factory Setting	Setting Invalidation
	ProNet-02/04 /ProNet-E-02/04 )				
Pn522	Reserved	—	—	—	—
Pn523	Reserved	—	—	—	—
Pn524	Reserved	—	—	—	—
Pn525	Overload alarm threshold	%	100~150	100	Immediately
Pn526	Temperature threshold of motor overheat alarm (Only enabled in ProNet-75/1A/1E/2B)	℃	50~180	110	Immediately
Pn528	Output signal inverse	—	0~1111	0	Immediately
Pn529	Torque detection output signal threshold value	%	3~300	100	Immediately
Pn530	Torque detection output signal time	ms	1~1000	10	After restart
Pn600	Position pulse in point to point control	10000P	-9999~9999	0	Immediately
Pn601	Position pulse in point to point control	1P	-9999~9999	0	Immediately
	.....				
Pn630	Position pulse in point to point control	10000P	-9999~9999	0	Immediately
Pn631	Position pulse in point to point control	1P	-9999~9999	0	Immediately
Pn632	Point to point speed control	rpm	0~4500	500	Immediately
	.....				
Pn647	Point to point speed control	rpm	0~4500	500	Immediately
Pn648	Point to point 1st order filter	0.1ms	0~32767	0	Immediately
	.....				
Pn663	Point to point 1st order filter	0.1ms	0~32767	0	Immediately
Pn664	Stop time	50ms	0~300	10	Immediately
	.....				
Pn679	Stop time	50ms	0~300	10	Immediately
Pn680	Reserved	—	—	—	—
Pn681	<b>Hex</b> Pn681.0:Single/cyclic, start/reference point selection Pn681.1:Change step and start mode Pn681.2:Change step input signal mode Pn681.3:Reserved	—	0~0x0133	0x0000	Immediately
Pn682	Programme mode	—	0~1	0	Immediately
Pn683	Programme start step	—	0~15	0	Immediately
Pn684	Programme stop step	—	0~15	1	Immediately
Pn685	Search travel speed in position control (contact reference); Speed of finding reference point (hitting the origin signal ORG) in position homing control.	rpm	0~3000	1500	Immediately
Pn686	Leave travel switch speed in position control(contact reference); Speed of finding reference point (leaving	rpm	0~200	30	Immediately

Parameter No.	Name	Unit	Setting Range	Factory Setting	Setting Invalidation
	the origin signal ORG) in position homing control.				
Pn687	Position teaching pulse	10000P	-9999~9999	0	Immediately
Pn688	Position teaching pulse	1P	-9999~9999	0	Immediately
Pn689	Homing Mode Setting	—	0~0111	0	After restart
Pn690	Number of error pulses during homing	10000P	0~9999	0	Immediately
Pn691	Number of error pulses during homing	1P	0~9999	0	Immediately
Pn695	Torque observer input use moment of inertia ratio	%	0~20000	0	Immediately
Pn696	Torque observer feedback coefficient	—	1~6	1	Immediately
Pn697	Observer value of Torque observer filter coefficient	0.1ms	0~250	0	Immediately
Pn698	Load torque compensate coefficient	%	0~100	0	Immediately
Pn699	Equivalent load inertia ratio	—	10~100	50	Immediately
Pn700	<b>Hex</b> Pn700.0: MODBUS communication baud rate Pn700.1: MODBUS protocol selection Pn700.2: Communication protocol selection Pn700.3: Reserved	—	0~0x0182	0x0151	After restart
Pn701	MODBUS axis address	—	1~247	1	After restart
Pn702	Reserved	—	—	—	—
Pn703	CAN communication speed	—	0~0x0015	0x0014	After restart
Pn704	CAN communication contact	—	1~127	1	After restart
Pn705	32 bit 1st electronic gear numerator (H)	—	0~9999	0	After restart
Pn706	32 bit 1st electronic gear numerator (L)	—	0~9999	1	After restart
Pn707	32 bit electronic gear denominator (H)	—	0~9999	0	After restart
Pn708	32 bit electronic gear denominator (L)	—	0~9999	1	After restart
Pn709	32 bit 2st electronic gear numerator (H)	—	0~9999	0	After restart
Pn710	32 bit 2st electronic gear numerator (L)	—	0~9999	1	After restart
Pn840	<b>Hex</b> Pn840.0: Encoder model selection Pn840.1: Motor designing sequence Pn840.2: Servo drive model selection Pn840.3: Reserved	—	0x0003~ 0x0B18	—	After restart

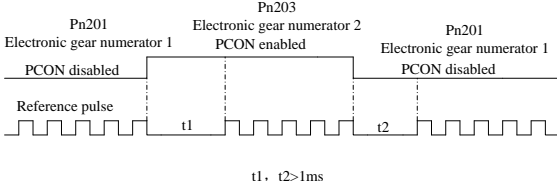
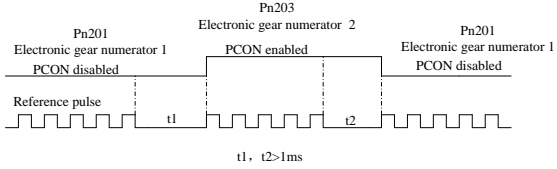
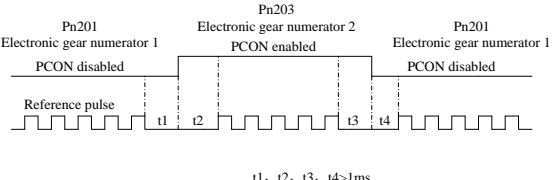
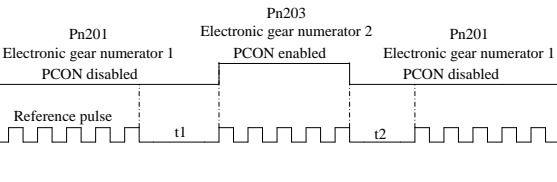
Note: ① The setting range and factory setting of Pn401 to Pn405 depend on the actual overload capacity.

## A.2 Description of Parameter Type

Type	Parameter No.	Description
Function selection switches	Pn000~Pn010	Control mode, stop mode, and some functions selection
Parameters of servo gain	Pn100~Pn149	Position gain, speed gain, rigidity, etc.
Position control related parameters	Pn200~Pn205	PG divided ratio, electronic gear, etc.
Speed control related parameters	Pn300~Pn322	Speed reference input, soft start, etc.
Torque control related parameters	Pn400~Pn415	Torque limit, etc.
Parameters to control I/O port	Pn500~Pn530	Allocation of I/O port function
Point-to-point control and homing control related parameters	Pn600~Pn699	Internal point-to-point control and homing control related parameters
Communication parameters	Pn700~Pn701	Setting of communication parameters

### A.3 Parameters in detail

Parameter No.	Description	Setting Validation	Control Mode	Function and Meaning
Pn000	Binary	After restart	ALL	<p><b>Pn000.0 Servo ON</b>                      [0] External S-ON enabled.                      [1] External S-ON disabled. Servo motor excitation signal is turned ON automatically after S-RDY is output.</p> <p><b>Pn000.1 Forward rotation input signal prohibited (P-OT)</b>                      [0] External P-OT enabled. Operate in the time sequence setting in Pn004.0 when travel limit occurs.                      [1] External P-OT disabled.</p> <p><b>Pn000.2 Reverse rotation input signal prohibited (N-OT)</b>                      [0] External N-OT enabled. Operate in the time sequence setting in Pn004.0 when travel limit occurs.                      [1] External N-OT disabled.</p> <p><b>Pn000.3 Alarm output when instantaneous power loss (ALM)</b>                      [0] Instantaneous power loss for one period with no alarm output                      [1] Instantaneous power loss for one period with alarm output</p>
Pn001	Binary	After restart	Pn001.0 ALL Pn001.1 T Pn001.2 P, S Pn001.3 P	<p><b>Pn001.0 CCW,CW selection</b>                      [0] Sets CCW as forward direction                      [1] Sets CW as forward direction</p> <p><b>Pn001.1 Analog speed limit enabled</b>                      [0] Sets the value of Pn406 as the speed limit value during torque control.                      [1] Use the lower speed between V-REF and Pn406 as an external speed limit input.</p> <p><b>Pn001.2 Analog torque limit enabled</b>                      [0] Sets Pn401~Pn404 as torque limit.                      [1] Sets the value corresponding to Vref input analog voltage as torque limit.</p> <p><b>Pn001.3 2nd electronic gear enabled</b>                      [0] 2nd electronic gear is disabled, PCON signal is used to switch P/PI                      [1] 2nd electronic gear is enabled, PCON signal is only used as 2nd electronic gear when Pn005.1 is set to 1.</p>
Pn002	Binary	After restart	ALL	<p><b>Pn002.0 Electronic gear switching mode</b>                      [0] Corresponding time sequence</p>

Parameter No.	Description	Setting Validation	Control Mode	Function and Meaning
				 <p>[1] Corresponding time sequence</p>  <p>Time sequence when Pn002.0=0 or 1</p>  <p>Error time sequence</p>  <p><b>Pn002.1 Reserved</b>  <b>Pn002.2 Absolute encoder selection</b>          [0] Use absolute encoder as an absolute encoder          [1] Use absolute encoder as an incremental encoder  <b>Pn002.3 Reserved</b></p>
Pn003	Binary	After restart	ALL	<p><b>Pn003.0 Reserved</b>  <b>Pn003.1 Reserved</b>  <b>Pn003.2 Low speed compensation</b>          [0] Without low speed correction          [1] With low speed correction to avoid servomotor creeping, but the degree of correction is determined by the setting in Pn129.  <b>Pn003.3 Overload enhancement</b>          [0] Without overload enhancement function          [1] With overload enhancement function, which can enhance the overload capacity when servomotor exceeds the 2 times rated overload. It is used in frequent power ON/OFF occasions.</p>

Parameter No.	Description	Setting Validation	Control Mode	Function and Meaning
Pn004	Hex	After restart	<p>Pn004.0 ALL</p> <p>Pn004.1 P</p> <p>Pn004.2 P</p> <p>Pn004.3 P</p>	<p><b>Pn004.0 Stop Mode</b></p> <p>[0] Stops the servomotor by applying DB and then releases DB.</p> <p>[1] Coast to a stop.</p> <p>[2] Stops the servomotor by DB when servo OFF, stops the servomotor by plug braking when overtravel, then places it into coast (power OFF) mode.</p> <p>[3] Makes the servomotor coast to a stop state when servo OFF, stops the servomotor by plug braking when overtravel, then places it into coast (power OFF) mode.</p> <p>[4] Stops the servomotor by DB when servo OFF, stops the servomotor by plug braking when overtravel, then places it into zero clamp mode.</p> <p>[5] Makes the servomotor coast to a stop state when servo OFF, stops the servomotor by plug braking when overtravel, then places it into zero clamp mode.</p> <p><b>Pn004.1 Error counter clear mode</b></p> <p>[0] Clear error pulse when S-OFF, do not when overtravel.</p> <p>[1] Do not clear error pulse.</p> <p>[2] Clear error pulse when S-OFF or overtravel (except for zero clamp)</p> <p><b>Pn004.2 Reference pulse form</b></p> <p>[0] Sign + Pulse</p> <p>[1] CW+CCW CW + CCW</p> <p>[2] A + B (x1)</p> <p>[3] A + B (x2)</p> <p>[4] A + B (x4)</p> <p><b>Pn004.3 Inverses pulse</b></p> <p>[0] Do not inverse PULS reference and SIGN reference.</p> <p>[1] Do not inverse PULS reference; Inverses SIGN reference.</p> <p>[2] Inverse PULS reference; Do not inverse SIGN reference.</p> <p>[3] Inverse PULS reference and SIGN reference.</p>
Pn005	Hex	After restart	<p>Pn005.0 P, S</p> <p>Pn005.1 ALL</p> <p>Pn005.2 P</p>	<p><b>Pn005.0 Torque feedforward form</b></p> <p>[0] Use general torque feedforward, external analog(Tref) feedforward input is invalid.</p> <p>[1] Use general torque feedforward, external analog(Tref) feedforward input is valid.</p> <p>[2] Use high-speed torque feedforward, external analog(Tref) feedforward input is invalid.</p> <p>[3] Use high-speed torque feedforward, external</p>

Parameter No.	Description	Setting Validation	Control Mode	Function and Meaning
				<p>Analog (Tref) feedforward input is valid.</p> <p><b>Pn005.1 Control mode</b></p> <p>[0]Speed control (analog reference)  <b>PCON: OFF, PI control; ON, P control</b></p> <p>[1]Position control (pulse train reference)  <b>PCON: OFF, PI control; ON, P control</b></p> <p>[2]Torque control (analog reference)  <b>PCON is invalid.</b></p> <p>[3]Speed control (contact reference)←→speed Control (zero reference)  <b>PCON, PCL, NCL: OFF Switches to position control(zero reference)</b></p> <p>[4]Speed control (contact reference)←→speed control(analog reference)  <b>PCON, PCL, NCL: OFF Switches to position control (analog reference)</b></p> <p>[5]Speed control (contact reference)←→position control(pulse train reference)  <b>PCON, PCL, NCL: OFF Switches to position control(pulse train reference)</b></p> <p>[6]Speed control (contact reference)←→torque Control (analog reference)  <b>PCON, PCL, NCL: OFF Switches to position control (analog reference)</b></p> <p>[7]Position control (pulse train reference)←→speed Control (analog reference)  <b>PCON: OFF position control (pulse train reference); ON speed control (analog reference)</b></p> <p>[8]Position control (pulse train reference)←→Torque Control (analog reference)  <b>PCON: OFF position control (pulse train reference); ON torque control (analog reference)</b></p> <p>[9]Torque control (analog reference)←→speed Control (analog reference)  <b>PCON: OFF Torque control (analog reference); ON Speed control (analog reference)</b></p> <p>[A]Speed control (analog reference)←→zero clamp Control  <b>PCON: OFF Speed control (analog reference); ON zero clamp control</b></p> <p>[B]Positin control (pulse train reference)←→position control (INHIBIT)  <b>PCON: OFF Position control (pulse train reference); ON position control (INHIBIT)</b></p>



Parameter No.	Description	Setting Validation	Control Mode	Function and Meaning
				<p>[C]Position control (contact reference)  <b>P CON: Used to change step</b>  <b>PCL, NCL: Used to search reference point or start</b></p> <p>[D]Speed control (parameter reference)  <b>P CON, PCL, NCL invalid</b></p> <p>[E ] Special control  <b>P CON invalid</b></p> <p><b>Pn005.2 Out-of-tolerance alarm selection</b>  [0] Out-of-tolerance alarm disabled  [1] Out-of-tolerance alarm enabled. Outputs alarm when the value of error counter exceeds Pn504 setting value.  [2] Reserved  [3] Reserved</p> <p><b>Pn005.3 Servomotor model selection</b><sup>Note*</sup>  [0] EMJ  [1] EMG  [2] EML  [3] EMB  [4] EMS-02/ EMS-04/ EMS-08/ EMS-10/ EMS-15/ EMS-20/ EMS-25/ EMS-40  [5] EMS-30/ EMS-50</p>
Pn006	Hex	After restart	P, S	<p><b>Pn006.0 Bus type selection</b>  [0] No bus  [1] PROFIBUS-DP V0/V1  [2] PROFIBUS-DP V2  [3] CANopen</p> <p><b>Pn006.1 Reserved</b></p> <p><b>Pn006.2 Low-frequency vibration suppression switch</b>  [0] Low-frequency vibration suppression function disabled  [1] Low-frequency vibration suppression function enabled</p> <p><b>Pn006.3 Reference input filter for open collector signal</b>  [0] When pulse is difference input, the max value of servo receiving pulse frequency <math>\leq 4M</math>  [1] When pulse is difference input, the max value of servo receiving pulse frequency <math>\leq 650K</math>  [2] When pulse is difference input, the max value of servo receiving pulse frequency <math>\leq 150K</math></p> <p>Notes: "the max value of servo receiving pulse frequency" ,it means the sufficient max value of pulse</p>

Parameter No.	Description	Setting Validation	Control Mode	Function and Meaning
				frequency receiving by servo hardware.
Pn007	Binary	After restart	ALL	Pn007.0: Wider the width of C pulse or not [0] Standard width of C pulse [1] Wider the width of C pulse Pn007.1: Reserved Pn007.2: Reserved Pn007.3: Torque filter [0] Standard torque filter [1] New torque filter
Pn008	Hex	After restart	—	Pn008.0: Reserved (For factory using) Pn008.1: Reserved Pn008.2: Reserved Pn008.3: Reserved
Pn009	Binary	After restart	P	Pn009.0: Reserved Pn009.1: Reserved Pn009.2: Electronic gear selection [0] 16 bit electronic gear [1] 32 bit electronic gear Pn009.3: Reserved
Pn010	Hex	After restart	P, S, T	Pn010.0: Automatic identification function of motor and enable [0] Disable auto identity function [1] Enable auto identity function (get the models of servo drive、servo motor、encoder automatically, and load the servo drive parameters, but not read the motor parameters from Pn parameters. Pn010.1: Notch filter mode selection [0] Use manual notch filter(set Pn407~Pn410 at the same time) [1] Use one adaptive notch filter(set Pn408 and Pn416 at the same time) [2] Use twoadaptive notch filters(set Pn408,Pn410,Pn146 and Pn147 at the same time) Pn010.2: Torque observer mode selection [0] Do not use a torque observer [1] Start torque observer, and use it to outside disturb torque compensation arithmetic module (set Pn695~Pn698 at the same time) [2] Start torque observer, and use it to load inertia ratio adjustable module (set Pn695~Pn697、Pn699 at the same time)
Pn100	Online autotuning setting selection	After restart	P, S	<b>Pn100.0 Load inertia setting</b> [0] Manual setting [1,2,3] Normal mode

Parameter No.	Description	Setting Validation	Control Mode	Function and Meaning
				<p>[4,5,6] Vertical load            [1,4] Load inertia without variation            [2,5] Load inertia with little variation            [3,6] Load inertia with great variation</p> <p><b>Pn100.1 Online autotuning setting</b></p> <p>[0] Manual setting            [1] Standard            [2] Steadily            [3] High precision</p> <p><b>Note:</b>            Autotuning may be invalid in the following cases:            1. Autotuning is invalid when servomotor max.speed is less than 100rpm.            2. Autotuning is invalid when servomotor acceleration /deceleration speed is less than 5000rpm/s.            3. Autotuning is invalid when mechanical clearance is too big during operation. 4. Autotuning is invalid when the difference of different speed load is too great.            5. Autotuning is invalid when mechanical vibration and friction are too big during operation.</p>
Pn101	Machine rigidity setting	Immediately	P, S	The response speed of servo system is determined by this parameter. Normally, the rigidity should be set a little larger. However, if it is too large, it would suffer mechanical impact. It should be set a little smaller when large vibration is present. This parameter is only valid in autotuning.
Pn102	Speed loop gain	Immediately	P, S	This parameter determines speed loop gain. Unit: rad/s
Pn103	Speed loop integral time constant	Immediately	P, S	Decreases the value of this parameter to shorten positioning time and enhance speed response. Unit: 0.1ms
Pn104	Position loop gain	Immediately	P	This parameter determines position loop gain. Decreases this value to enhance servo rigidity, but vibration will occur if the value is too large. Unit: 1/s
Pn105	Torque reference filter time constant	Immediately	P, S, T	Torque reference filter can eliminate or lighten mechanical vibration, but incorrect setting will result to mechanical vibration. Unit:0.01ms
Pn106	Load inertia ratio	Immediately	P, S	Setting value=(load inertia/rotor inertia) × 100 Unit: %
Pn107	2nd speed loop gain	Immediately	P, S	The meanings of these parameters are the same as Pn102~Pn105. These parameters are only needed to set when two
Pn108	2nd speed loop integral time constant	Immediately	P, S	

Parameter No.	Description	Setting Validation	Control Mode	Function and Meaning
Pn109	2nd position loop gain	Immediately	P	types of gain function are enabled.
Pn110	2nd torque reference filter time constant	Immediately	P, S, T	
Pn111	Speed bias	Immediately	P	<p>This parameter setting can shorten positioning time. However, if it is too large or does not cooperate with Pn111 correctly, vibration will occur. The relationship with speed reference, error counter, positioning error is shown in the following chart.</p>
Pn112	Feedforward	Immediately	P	<p>It is used to set position feedforward. The response speed is faster and position error is less when this parameter setting is higher. Vibration will occur if the value is set too large. Unit: %</p>
Pn113	Feedforward filter	Immediately	P	<p>It is used to ease mechanical vibration due to position feedforward. The feedforward lag will be enlarged and result to vibration if the value is set too large. Unit: 0.1ms</p>
Pn114	Torque feedforward	Immediately	P, S	<p>It is used to set torque feedforward, and enhance response speed. Set the load inertia ratio (Pn106) correctly to enable this function in manual gain adjustment mode. Unit: %</p>
Pn115	Torque feedforward filter	Immediately	P, S	<p>It is used to ease mechanical vibration due to torque feedforward. Unit: 0.1ms</p>
Pn116	P/PI switching condition	After restart	P, S	<p>0: Torque reference percentage 1: Value of offset counter 2: Value of acceleration speed setting 3: Value of speed setting 4: Fixed PI</p>
Pn117	Torque switching threshold	After restart	P, S	<p>Threshold of torque to switch PI control to P control. Unit: %</p>

Parameter No.	Description	Setting Validation	Control Mode	Function and Meaning
Pn118	Offset counter switching threshold	Immediately	P	Threshold of error counter to switch PI control to P control. Unit: reference pulse
Pn119	Setting acceleration speed switching threshold	Immediately	P, S	Threshold of acceleration speed to switch PI control to P control. Unit: 10rpm/s
Pn120	Setting speed switching threshold	Immediately	P, S	Threshold of speed to switch PI control to P control. Unit: rpm
Pn121	Gain switching condition	After restart	P, S	0: Fix to 1st group gain 1: External switch gain switching(G-SEL) 2: Torque percentage 3: Value of offset counter 4: Value of acceleration speed setting (10rpm) 5: Value of speed setting 6: Position reference input 7: actual motor speed 8: Position reference(Pn123) + actual speed (Pn124)
Pn122	Switching delay time	Immediately	P, S	Delay time of switching gain when switching condition is satisfied. Unit:0.1ms
Pn123	Switch threshold level	Immediately	P, S	Gain switching trigger level
Pn124	Actual speed threshold	Immediately	P, S	When Pn121=8, Pn124 is valid. Unit:rpm
Pn125	Position gain switching time	Immediately	P	This parameter is used to smooth transition if the change of the two groups of gain is too large.Unit:0.1ms
Pn126	Hysteresis switching	Immediately	P, S	This parameter is used to set the operation hysteresis of gain switching.
Pn127	Low speed detection filter	Immediately	P, S	This parameter is used to filter in low speed detection. The speed detection will be lagged if the value is too large. Unit:0.1ms
Pn128	Speed gain acceleration relationship during online autotuning	Immediately	P, S	The increasing multiple of speed loop gain is the same rigidity during online autotuning. The speed loop gain is larger when this value is higher.
Pn129	Low speed correction coefficient	Immediately	P, S	The intensity of anti-friction and anti-creeping at low speed. Vibration will occur if this value is set too large.
Pn130	Friction Load	Immediately	P, S	Frictin load or fixed load compensation Unit: 0.1%
Pn131	Friction compensation speed hysteresis area	Immediately	P, S	Threshold of friction compensation start Unit: rpm
Pn132	Sticking friction load	Immediately	P, S	Sticking damp which is in direct proportion to speed.Unit: 0.1%/1000rpm
Pn133	Reserved	—	—	—
Pn134	Reserved	—	—	—

Parameter No.	Description	Setting Validation	Control Mode	Function and Meaning
Pn135	Reserved	—	—	—
Pn136	Reserved	—	—	—
Pn137	Reserved	—	—	—
Pn138	Reserved	—	—	—
Pn139	Reserved	—	—	—
Pn140	Reserved	—	—	—
Pn141	Reserved	—	—	—
Pn142	Reserved	—	—	—
Pn143	Reserved	—	—	—
Pn144	Reserved	—	—	—
Pn146	Notch filters 1 trap width	Immediately	P, S, T	Notch filters 1 trap width
Pn147	Notch filters 2 trap width	Immediately	P, S, T	Notch filters 2 trap width
Pn148	Deviation amplitude of adaptive notch filters threshold	Immediately	P, S, T	When the rotational speed fluctuation is greater than the value, adaptive notch filters began to work. Unit:0.1 RPM
Pn149	Deviation frequency of adaptive notch filters threshold	Immediately	P, S, T	When two frequency errors are larger than the value, reset notch filter frequency, or keep the current value Unit:Hz
Pn200	PG dividedratio	After restart	P, S, T	Analog encoder output orthogonal difference pulses. The meaning of this value is the number of analog encoder output orthogonal difference pulses per one servomotor rotation.
Pn201	16 bit 1st electronic gear numerator	After restart	P	The parameters are valid,when Pn009.2=0. The electronic gear enables the reference pulse to relate with the servomotor travel distance, so the host controller doesn't change the mechanical deceleration ratio and encoder pulses. In fact, it is the setting of frequency doubling or frequency division to the reference pulses. $\frac{Numerator(Pn201\ or\ Pn203)}{Denominator(Pn202)}$
Pn202	16 bit electronic gear denominator	After restart	P	
Pn203	16 bit 2nd electronic gear numerator	After restart	P	
Pn204	Position reference acceleration /deceleration time constant	Immediately	P	This value is used to smooth the input pulses. The effect of smoothness is better when the value is higher, but lag will occur if the value is too large. Unit:0.1ms
Pn205	Position reference filter form selection	After restart	P	[0]: 1st order filter [1]: 2nd order filter
Pn300	Speed reference input gain	Immediately	S	The corresponding speed to 1V analog input Unit: rpm/V
Pn301	Analog speed given zero bias	Immediately	S	This parameter is used to set zero bias of analog speed given, and it is related with the speed reference

Parameter No.	Description	Setting Validation	Control Mode	Function and Meaning							
				input gain (Pn300). Speed reference=(External speed given input analog-Analog speed given zero bias) × Speed reference input gain Unit: 10mv							
Pn302	Reserved	—	—	—							
Pn303	Reserved	—	—	—							
Pn304	Parameter speed	Immediately	S	The parameter can be set to positive or negative. When control mode is set to D, it determines the speed of motor. The servomotor speed is determined by this parameter when Pn005.1=D. Unit: rpm							
Pn305	JOG speed	Immediately	S	It is used to set JOG rotation speed, and the direction is determined by the pressing key during JOG operation. Unit: rpm							
Pn306	Soft start acceleration time	Immediately	S	The time for trapeziform acceleration to accelerate to 1000rpm. Unit: ms							
Pn307	Soft start deceleration time	Immediately	S	The time for trapeziform deceleration to decelerate to 1000rpm. Unit: ms							
Pn308	Speed filter time constant	Immediately	S	1st order filter time constant Unit: ms							
Pn309	S curve risetime	Immediately	S	The time for transition from one point to another point in S curve. Unit: ms							
Pn310	Speed reference curve form	After restart	S	0:Slope 1:S curve 2:1 <sup>st</sup> order filter 3:2 <sup>nd</sup> order filter							
Pn311	S form selection	After restart	S	This value determines the transition form of S curve.							
Pn312	DP communication JOG speed	Immediately	P, S, T	Communication speed of bus JOG. It can be set to positive or negative. Unit: rpm							
Pn313	Reserved	—	—	—							
Pn314	Reserved	—	—	—							
Pn315	Reserved	—	—	—							
Pn316	Speed internal 1	Immediately	S	<table border="1"> <tr> <td colspan="3">Input signal</td> <td rowspan="2">Operating speed</td> </tr> <tr> <td>P-CON</td> <td>P-CL</td> <td>N-CL</td> </tr> </table>	Input signal			Operating speed	P-CON	P-CL	N-CL
Input signal			Operating speed								
P-CON	P-CL	N-CL									
Pn317	Speed internal 2	Immediately	S								
Pn318	Speed internal 3	Immediately	S								
Pn319	Speed internal 4	Immediately	S								
Pn320	Speed internal 5	Immediately	S								

Parameter No.	Description	Setting Validation	Control Mode	Function and Meaning			
Pn321	Speed internal 6	Immediately	S	OFF(H)	OFF(H)	OFF(H)	Zero speed or switch to other control modes
Pn322	Speed internal 7	Immediately	S	OFF(H)	OFF(H)	ON(L)	SPEED1
				ON(L)	OFF(H)	OFF(H)	SPEED2
				ON(L)	ON(L)	ON(L)	SPEED3
				ON(L)	OFF(H)	OFF(H)	SPEED4
				OFF(H)	OFF(H)	ON(L)	SPEED5
				ON(L)	OFF(H)	OFF(H)	SPEED6
				ON(L)	ON(L)	ON(L)	SPEED7
Pn400	Torque reference gain	Immediately	T	The meaning of this parameter is the needed analog input voltage to reach the rated torque.			
Pn401	Forward torque internal limit	Immediately	P, S, T	Servomotor output torque limit value (depending on the actual overload capacity) .Unit:%			
Pn402	Reverse torque internal limit	Immediately	P, S, T				
Pn403	Forward external torque limit	Immediately	P, S, T				
Pn404	Reverse external torque limit	Immediately	P, S, T				
Pn405	Plug braking torque limit	Immediately	P, S, T				
Pn406	Speed limit during torque control	Immediately	T	Servomotor output torque limit value during torque control Unit: rpm			
Pn407	Notch filter 1 frequency	Immediately	P, S, T	Notch filter 1 frequency Unit:Hz		1. In some conditions, vibration will be picked up and response will be lagged after notch filter is set. 2. When notch filter frequency is set to 5000, the notch filter is invalid.	
Pn408	Notch filter 1 depth	Immediately	P, S, T	Notch filter 1 depth			
Pn409	Notch filter 2 frequency	Immediately	P, S, T	Notch filter 2 frequency Unit:Hz			
Pn410	Notch filter 2 depth	Immediately	P, S, T	Notch filter 2 depth			
Pn411	Low frequency vibration frequency	Immediately	P, S	Frequency of low frequency vibration with load. Unit:0.1Hz			
Pn412	Low frequency vibration damp	Immediately	P, S	Attenuation damp of low frequency vibration with load. It does not need to change.			
Pn413	Torque control delay time	Immediately	T	These parameters are only enabled in position control mode.			
Pn414	Torque control speed hysteresis	Immediately	T				
Pn415	Analog torque given	Immediately	T	This parameter is used to set zero bias of analog			



Parameter No.	Description	Setting Validation	Control Mode	Function and Meaning
	zero bias			torque given, and it is related with torque reference input gain (Pn400), Torque reference=(External torque given input analog-Analog torque given zero bias) × Torque reference input gain Unit:10mv
Pn500	Positioning error	Immediately	P	Outputs /COIN signal when error counter is less than this value.Unit:Puls
Pn501	Coincidence difference	Immediately	P	Outputs /VCMP signal when the difference between speed reference value and speed feedback value is less than this value. Unit: rpm
Pn502	Zero clamp speed	Immediately	S	The servomotor is locked in the form of temporary position loop when the speed corresponding to the analog input is less than this value. Unit: rpm
Pn503	Rotation detection speed TGON	Immediately	P, S, T	When the servomotor speed exceeds this parameter setting value, it means that the servomotor has already rotated steadily and outputs /TGON signal. Unit: rpm
Pn504	Offset counter overflow alarm	Immediately	P	When the value in error counter exceeds this parameter setting value, it means that error counter alarm has occurred and outputs alarm an signal. Unit:256Puls
Pn505	Servo ON waiting time	Immediately	P, S, T	These parameters are only enabled when the port output parameters are allocated with /BK signal output. These parameters are used to keep braking (prevent from gravity glissade or continuous outside force on servomotor) time sequence.
Pn506	Basic waiting flow	Immediately	P, S, T	<b>Servo ON waiting time:</b> ①For the parameter is plus,/BK signal is output firstly when servo-ON signal is input, and then servomotor excitation signal is created after delaying the parameter setting time.
Pn507	Brake waiting speed	Immediately	P, S, T	②For the parameter is minus, servomotor excitation signal is output firstly when servo-ON signal is input, and then /BK signal is created after delaying the parameter setting time.
Pn508	Brake waiting time	Immediately	P, S, T	<b>Basic waiting flow:</b> Standard setting: /BK output (braking action) and servo-OFF are at the same time. Now, the machine movable part may shift slightly due to gravity according to mechanical configuration and character; it can be eliminated by using the parameters when the servomotor is at stop or at a low speed.

Parameter No.	Description	Setting Validation	Control Mode	Function and Meaning
				<p><b>Brake waiting speed:</b> /BK signal is output when the servomotor speed is decreased below the parameter setting value at servo-OFF.</p> <p><b>Brake waiting time:</b> BK signal is output when the delay time exceeds the parameter setting value after servo-OFF. /BK signal is output as long as either of the brake waiting speed or brake waiting time is satisfied.</p>
Pn509	Allocate input port to signal, one port with four bits(hex)	After restart	P, S, T	<p>Pn509.0 corresponding port CN1_14 Pn509.1 corresponding port CN1_15 Pn509.2 corresponding port CN1_16 Pn509.3 corresponding port CN1_17 Pn510.0 corresponding port CN1_39 Pn510.1 corresponding port CN1_40 Pn510.2 corresponding port CN1_41 Pn510.3 corresponding port CN1_42 Terminal PRI : CN1_14&lt; CN1_15&lt; CN1_16&lt; CN1_17&lt; CN1_39&lt; CN1_40&lt; CN1_41&lt; CN1_42 Corresponding signal of each data is shown as following: 0: S-ON 1: P-CON 2: P-OT 3: N-OT 4: ALMRST 5: CLR 6: P-CL 7: N-CL 8: G-SEL 9: JDPOS-JOG+ A: JDPOS-JOG- B: JDPOS-HALT C: HmRef D: SHOM E: ORG</p>
Pn510	Allocate input port to signal, one port with four bits(hex)	After restart	P, S, T	
Pn511	Output signal allocation	After restart	P, S, T	<p>Pn511.0 corresponding port CN1_11, CN1_12 Pn511.1 corresponding port CN1_05, CN1_06 Pn511.2 corresponding port CN1_09, CN1_10 Corresponding signal of each data is shown as follows: 0: /COIN/VCMP 1: /TGON 2: /S-RDY</p>

Parameter No.	Description	Setting Validation	Control Mode	Function and Meaning
				3: /CLT 4: /BK 5: /PGC 6: OT 7: /RD 8: /HOME 9: /TCR
Pn512	Bus control input node low-bit enabled	Immediately	P, S, T	Bus communication input port enabled: [0]: Disabled [1]: Enabled Pn512.0→CN1_14 Pn512.1→CN1_15 Pn512.2→CN1_16 Pn512.3→CN1_17 Pn513.0→CN1_39 Pn513.1→CN1_40 Pn513.2→CN1_41 Pn513.3→CN1_42
Pn513	Bus control input node low-bit enabled	Immediately	P, S, T	
Pn514	Input port filter	Immediately	P, S, T	It is used to set input port filter time. The signal will be lagged if the parameter setting is too high.Unit:0.2ms
Pn515	Alarm port filter	Immediately	P, S, T	It is used to set alarm port filter time, The signal will be lagged if the parameter setting is too high.Unit:0.2ms
Pn516	Input port signal inversion	Immediately	P, S, T	[0]: Do not inverse signal. [1]: Inverse signal Pn516.0→CN1_14 inversion Pn516.1→CN1_15 inversion Pn516.2→CN1_16 inversion Pn516.3→CN1_17 inversion Pn517.0→CN1_39 inversion Pn517.1→CN1_40 inversion Pn517.2→CN1_41 inversion Pn517.3→CN1_42 inversion
Pn517	Input port signal inversion	Immediately	P, S, T	
Pn518	Dynamic brake time	Immediately	P, S, T	Motor dynamic brake time Unit: ms
Pn519	Serial encoder error time	Immediately	P, S, T	In the range of this parameter, there will be no warning of serial encoder error Unit: 0.1ms
Pn520	Position complete time	Immediately	P, S, T	This parameter set position complete time Unit: 0.1ms
Pn521	Binary	Immediately	P,S,T	If a regenerative resistor is connected externally 0: connect externally regenerative resistor between B1 and B2 1: Do not connect externally regenerative resistor, rely on internal capacitance. (This parameter is in effect only on ProNet-02/04/ProNet-E-02/04)

Parameter No.	Description	Setting Validation	Control Mode	Function and Meaning
Pn522	Reserved	—	—	—
Pn523	Reserved	—	—	—
Pn524	Reserved	—	—	—
Pn525	Overload alarm threshold	Immediately	P, S, T	When load percentage is larger than overload alarm threshold, A04 will occur soon. Pn525 is recommended to set below 120, otherwise the servo drive and motor will be damaged. Unit:%
Pn526	Temperature threshold of motor overheat alarm	Immediately	P, S, T	When servomotor winding temperature exceeds Pn526 setting, A19 will occur. Unit: °C (Only enabled in ProNet-75/1A/1E/2B))
Pn528	Output signal inverse	Immediately	P, S, T	[0]: Do not inverse signal. [1]: Inverse signal Pn528.0→CN1_5,6 inversion Pn528.1→CN1_7,8 inversion Pn528.2→CN1_9,10 inversion Pn528.3→CN1_11,12 inversion
Pn529	Torque detection output signal threshold value	Immediately	P, S, T	When motor torque output is higher than Pn529 setting value,/TCR is ON. When motor torque output is lower than Pn529 setting value,/TCR is OFF. Unit:%
Pn530	Torque detection output signal time	After restart	P, S, T	Torque detection output signal time. Unit:ms
Pn600	JPOS0 Position pulse in point to point control	Immediately	P	The two parameters are used in combination, and the algebraic sum of them is the position JPOS0 needs to reach. (The number of servomotor rotation revolutions is related with the programme mode of point to point control.) Pn600 Unit: 10000P Pn601 Unit: 1P
Pn601	JPOS0 Position pulse in point to point control	Immediately	P	
	.....			The meaning of other point to point control related parameters are the same.
Pn630	JPOS15 Position pulse in point to point control	Immediately	P	The two parameters are used in combination, and the algebraic sum of them is the position of JPOS0 needs to reach. (The number of servomotor rotation revolutions is related with the programme mode of point to point control.) Pn630 Unit: 10000P Pn631 Unit: 1P
Pn631	JPOS15 Position pulse in point to point control	Immediately	P	
Pn632	JPOS0 Point to point speed control	Immediately	P	JPOS0 Point to point speed control Unit: rpm
	.....			The speed of other point to point control
Pn647	JPOS15 Point to point speed control	Immediately	P	The speed of JPOS15 point to point control Unit: rpm
Pn648	JPOS0	Immediately	P	1st order filter time of JPOS0 point to point control can

Parameter No.	Description	Setting Validation	Control Mode	Function and Meaning
	Point to point 1st order filter			stop or start the servomotor mildly.Unit:0.1ms
	.....			1st order filter of other point to point control.
Pn663	JPOS15 Point to point 1st order filter	Immediately	P	1st order filter time of JPOS15 point to point control can stop or start the servomotor mildly. Unit:0.1ms
Pn664	JPOS0 point to point control stop time	Immediately	P	JPOS0 point to point control stop time Unit: 50ms
	.....			Other point to point control stop time
Pn679	JPOS15 point to point control stop time	Immediately	P	JPOS15 point to point control stop time Unit: 50ms
Pn680	Reserved	—	—	—
Pn681	<b>Hex</b>	Immediately	P	<p><b>Pn681.0 Single/cyclic, start/reference point selection</b>            [0] Cyclic operation, PCL start signal, NCL search reference point in forward direction.            [1] Single operation, PCL start signal, NCL search reference point in forward direction.            [2] Cyclic operation, NCL start operation, PCL search reference point in forward direction.            [3] Single operation, NCL start operation, PCL search reference point in forward direction.</p> <p><b>Pn681.1 Change step and start mode</b>            [0] Delay to change step, no need of start signal, delay to start after S-ON.            [1] PCON change step, no need of start signal, PCON delay to start after S-ON, but inside pulse can not stop when PCON off.            [2] Delay to change step, need start signal, canceling start signal can immediately stop inside pulse.            Return to programmed start point process step when reset.            [3] PCON change step, need start signal, canceling start signal can immediately stop inside pulse. Return to programmed start point process step when reset.</p> <p><b>Pn681.2 Change step input signal mode</b>            [0] Change step input signal electrical level mode            [1] Change step input signal pulse mode</p> <p><b>Pn681.3 Reserved</b></p>
Pn682	Programme mode	Immediately	P	[0] : Incremental programme [1] : Absolute programme
Pn683	Programme start step	Immediately	P	Select the start point of the point to point control
Pn684	Programme stop step	Immediately	P	Select the stop point of the point to point control.
Pn685	Search travel speed in position control (contact reference);	Immediately	P	Search the servomotor speed in the direction of reference point towards travel switch.Unit:rpm

Parameter No.	Description	Setting Validation	Control Mode	Function and Meaning
	Speed of finding reference point (Hitting the origin signal ORG) in position homing control.			
Pn686	Leave travel switch speed in position control (contact reference); Speed of finding reference point (Leaving the origin signal ORG) in position homing control.	Immediately	P	Search the servomotor speed when the reference point leaves travel switch. Unit:rpm
Pn687	Position teaching pulse	Immediately	P	The two parameters are used in combination, and the algebraic sum of them is the current position of position teaching. When performing the position teaching by utility function, the algebraic sum of the two parameters are given to the current position Pn687 unit: 10000P Pn688 unit: 1P
Pn688	Position teaching pulse	Immediately	P	
Pn689	Homing Mode Setting	After restart	P	<p><b>Pn689.0 Homing Mode</b> [0] Homing in the forward direction [1] Homing in the reverse direction</p> <p><b>Pn689.1 Search C-Pulse Mode</b> [0] Return to search C-Pulse when homing [1] Directly search C-Pulse when homing</p> <p><b>Pn689.2 Homing trigger starting mode</b> [0] Homing function disabled [1] Homing triggered by SHOM signal (rising edge)</p> <p><b>Pn689.3 Reserved</b></p>
Pn690	Number of error pulses during homing	Immediately	P	unit: 10000P
Pn691	Number of error pulses during homing	Immediately	P	unit: 1P
Pn695	Torque observer input use moment of inertia ratio	Immediately	P, S	The value is the ratio of motor ontolog inertia ontology. Unit:% When torque observer is used for the function of load torque compensation ,set it to actual load inertia ratio. When torque observer is used for the function of equivalent load inertia ratio is adaptive, set it to 0.
Pn696	Torque observer feedback coefficient	Immediately	P, S	Torque observer feedback coefficient When Pn010.2=2, 1, 2, 3 gears are feedback

Parameter No.	Description	Setting Validation	Control Mode	Function and Meaning
				<p>coefficients of observed shaft torque,The higher the gear, the more real-time observation , but the greater the observation noise.</p> <p>When the moment of inertia is larger, can use 2; The moment of inertia is big and system of rigid, can use 3; Small inertia, 2 ,3 gears shall not apply</p> <p>When Pn010.2=1,4, 5, 6 gears are feedback coefficients of observed load torque</p> <p>The higher the gear, the more real-time observation, but the greater the observation noise.</p> <p>When the moment of inertia is larger, can use 5; The moment of inertia is big and system of rigid ,can use 6; Small inertia, 5, and 6 gears shall not apply.</p>
Pn697	Observer value of Torque observer filter coefficient	Immediately	P, S	The greater the low-pass filter time constant, the more you delay Unit: 0.1ms
Pn698	Load torque compensate coefficient	Immediately	P, S	The compensation coefficient of observed disturber torque, the greater the value, the more obvious the compensation effect. Unit:%
Pn699	Equivalent load inertia ratio	Immediately	P, S	The ration of Dummy load inertia ratio and Actual load inertia ratio, the smaller the ratio of system, the better the effect of vibration suppression, but the worse dynamic response performance, can take 50% then they can be adjusted up and down.
Pn700	Hex	After restart	ALL	<p><b>Pn700.0 MODBUS communication baud rate</b> [0] 4800bps [1] 9600bps [2] 19200bps</p> <p><b>Pn700.1 MODBUS protocol selection</b> [0] 7, N, 2 (MODBUS,ASCII) [1] 7, E, 1 (MODBUS,ASCII) [2] 7, O, 1 (MODBUS,ASCII) [3] 8, N, 2 (MODBUS,ASCII) [4] 8, E, 1 (MODBUS,ASCII) [5] 8, O, 1 (MODBUS,ASCII) [6] 8, N, 2 (MODBUS,RTU) [7] 8, E, 1 (MODBUS,RTU) [8] 8, O, 1 (MODBUS,RTU)</p> <p><b>Pn700.2 Communication protocol selection</b> [0] No protocol SCI communication [1] MODBUS SCI communication</p> <p><b>Pn700.3 Reserved</b></p>
Pn701	MODBUS Axis address	After restart	ALL	Axis address of MODBUS protocol communication

Parameter No.	Description	Setting Validation	Control Mode	Function and Meaning
Pn702	Reserved	—	—	—
Pn703	CAN communication speed	After restart	ALL	<b>Pn703.0 CAN communication baud rate</b> [0] 50Kbps [1] 100Kbps [2] 125Kbps [3] 250Kbps [4] 500Kbps [5] 1Mbps
Pn704	CAN communication contact	After restart	ALL	CANopen Aix address of communication
Pn705	32 bit 1st electronic gear numerator (H)	After restart	ALL	The parameters are valid,when Pn009.2=1. The electronic gear enables the reference pulse to relate with the servomotor travel distance, so the host controller doesn't change the mechanical deceleration ratio and encoder pulses. In fact, it is the setting of frequency doubling or frequency division to the reference pulses.  $\frac{\text{Numerator}(Pn705 * 10000 + Pn706 \text{ or } Pn709 * 10000 + Pn710)}{\text{Denominator}(Pn707 * 10000 + Pn708)}$
Pn706	32 bit 1st electronic gear numerator (L)	After restart	ALL	
Pn707	32 bit electronic gear denominator (H)	After restart	ALL	
Pn708	32 bit electronic gear denominator (L)	After restart	ALL	
Pn709	32 bit 2nd electronic gear numerator (H)	After restart	ALL	
Pn710	32 bit 2nd electronic gear numerator (L)	After restart	ALL	
Pn840	Hex	After restart	ALL	<b>Pn840.0 Encoder model selection</b> [0]-[2] Reserved (For factory using) [3] 17-bit absolute encoder [4] 17-bit incremental encoder [5] Resolver [6] Wire-saving incremental encoder [7] 20-bit absolute encoder [8] 20-bit incremental encoder <b>Pn840.1 Motor designing sequence</b> <sup>Note*</sup> [0] EM□-□□□□A [1] EM□-□□□□B <b>Pn840.2 Servo drive model selection</b> <sup>Note*</sup> [E] 0.05kW servo drive [F] 0.1kW servo drive [0] 0.2kW servo drive [1] 0.4kW servo drive [2] 0.75kW servo drive [3] 1.0 kW servo drive [4] 1.5kW servo drive [5] 2.0kW servo drive [6] 3.0kW servo drive [7] 5.0kW servo drive [8] 7.0kW /7.5kW servo drive [9] 11kW servo drive [A] 15kW servo drive



Parameter No.	Description	Setting Validation	Control Mode	Function and Meaning
				[B] 22kW servo drive <b>Pn840.3</b> Reserved (For factory using)

Note\*: The following servomotor models are special. Please set the parameters according to the following table.

Servomotor model	Pn005.3	Pn840.2	Pn840.1
EMJ-04A□H	1	1	0
EMG-60D□A	0	8	0
EMB-1ZD□A	2	9	0
EMB-1CD□A	1	A	0
EMB-1FD□A	2	A	0
EMB-2AD□A	2	B	0
EMB-2FD□A	1	B	0
EMS-02	4	0	0
EMS-04	4	1	0
EMS-08	4	2	0
EMS-10	4	3	0
EMS-15	4	4	0
EMS-20	4	5	0
EMS-25	4	6	0
EMS-30	5	6	0
EMS-40	4	7	0
EMS-50	5	7	0

## Appendix B

# Alarm Display

Alarm Display	Alarm Output	Alarm Name	Meaning
A. 01	×	Parameter breakdown	The checksum results of parameters are abnormal.
A. 02	×	AD shift channels breakdown	AD related electrical circuit is faulty.
A. 03	×	Overspeed	The servomotor speed is excessively high and the servomotor is out of control.
A. 04	×	Overload	The servomotor is operating continuously under a torque largely exceeding ratings.
A. 05	×	Position error counter overflow	Internal counter overflow.
A. 06	×	Position error pulse overflow	Position error pulse exceeded parameter (Pn504).
A. 07	×	The setting of electronic gear or given pulse frequency is not reasonable.	The setting of electronic gear is not reasonable or the given pulse frequency is too high.
A. 08	×	The 1st channel of current detection is wrong.	Something wrong with the inside chip of the 1st channel.
A. 09	×	The 2nd channel of current detection is wrong.	Something wrong with the inside chip of the 2nd channel.
A. 10	×	Incremental Encoder is break off.	At least one of Incremental Encoder PA,PB,PC is broken off.
A. 12	×	Overcurrent	An overcurrent flowed through the IPM.
A. 13	×	Overvoltage	Main circuit voltage for servomotor rotation is excessively high.
A. 14	×	Undervoltage	Main circuit voltage for servomotor rotation is excessively low.
A. 15	×	Bleeder resistor error	Bleeder resistor is faulty.
A. 16	×	Regeneration error	Regenerative circuit error.
A. 17	×	Resolver error	The communication of resolver is abnormal.
A. 18	×	IGBT superheat alarm	IGBT temperature is too high.
A. 19	×	Motor overheat alarm	Motor temperature is too high.
A. 20	×	Power line phase shortage	One phase does not bring into main circuit power supply.
A. 21	×	Instantaneous power off alarm	An power off for more than one period is occurred in AC.
A. 22	×	Motor temperature detection sensor is break off.	Encoder cable is error.

Alarm Display	Alarm Output	Alarm Name	Meaning
A. 23	×	Brake overcurrent alarm	Bleeder resistor is too small, or bleeder module is faulty.
A. 25	×	Motor power line U over current	Mechanical stuck or motor power line U phase sequence is wrong.
A. 26	×	Motor power line V over current	Mechanical stuck or motor power line V phase sequence is wrong.
A. 27	×	Motor power line W over current	Mechanical stuck or motor power line W phase sequence is wrong.
A. 28	×	Nikon encoder temperatur is toohigh	Nikon Encode internal Temperature (unit: °C)
A. 41	×	Reserved	Reserved
A. 42	×	Servomotor type error	The parameter setting of servo drive does not match the servomotor.
A. 43	×	Servo drive type error	The parameter setting of servo drive does not match the servomotor.
A. 44	×	Reserved	Reserved
A. 45	×	Absolute encoder multiturn information error	Absolute encoder multiturn information is faulty.
A. 46	×	Absolute encoder multiturn information overflow	Absolute encoder multiturn information overflow.
A. 47	×	Battery voltage below 2.5V	Absolute encoder multiturn information is lost.
A. 48	×	Battery voltage below 3.1V	Battery voltage is too low.
A. 50	×	Serial encoder communication overtime	Encoder disconnected; encoder signal disturbed; encoder error or encoder decoding circuit error.
A. 51	×	Absolute encoder overspeed alarm detected	Absolute encoder multiturn information may be faulty. Error reasons: 1.The battery is not connected or the battery voltage is insufficient. 2.The power supply to servo drive is not turned ON when the battery voltage is normal, or the servomotor running acceleration is too high due to external reason.
A. 52	×	Absolute state of serial encoder error	Encoder or the encoder decoding circuit is faulty.
A. 53	×	Serial encoder calcaution error	Encoder or the encoder decoding circuit is faulty.
A. 54	×	Parity bit or end bit in serial encoder control domain error	Encoder signal is disturbed or the encoder decoding circuit is faulty.
A. 55	×	Serial encoder communication data checking error	Encoder signal is disturbed or the encoder decoding circuit is faulty.
A. 56	×	End bit in serial encoder control domain error	Encoder signal is disturbed or the encoder decoding circuit is faulty.
A. 58	×	Serial encoder data empty	The EEPROM data of serial encoder is empty.
A. 59	×	Serial encoder data format error	The EEPROM data format of serial encoder is incorrect.

Alarm Display	Alarm Output	Alarm Name	Meaning
A. 60	×	Communication module not detected	Communication module is not plugged in or the communication module is faulty.
A. 61	×	Communication unsuccessful	CPU of communication module operated abnormally.
A. 62	×	Servo drive can not receive the period data of communication module.	Receive channel of servo drive data or send channel of communication module is faulty.
A. 63	×	Communication module can not receive the servo drive response data.	Communication module is faulty.
A. 64	×	Communication module and bus connectionless	Bus communication is faulty.
A. 66	×	CAN communication abnormal	CAN communication is faulty because of abnormal communication connection or disturbance.
A. 67	×	Receiving heartbeat timeout	The master station sends heartbeat time timeout.
A. 69	×	Synchronization signal monitoring cycle is longer than setting	The filling time and the cycle of the synchronous signal does not match.
A. 00	○	Not an error	Normal operation status.

○: Output transistor is ON.

×: Output transistor is OFF.

A.45、A.46、A.47、A.48、A.51 only can be reset when the absolute encoder related alarm is cleared.

The multiturn data should be cleared because of the multiturn information is incorrect.



## **ESTUN AUTOMATION TECHNOLOGY CO., LTD**

**Product Service Hotline: 400-025-3336**

Add: 16 Shuige Road, Jiangning Development Zone,  
Nanjing 211106, P.R.China

TEL: +86-25-58328505 / 8507

FAX: +86-25-58328504

WED: [www.estun.com](http://www.estun.com)

E-mail: [export@estun.com](mailto:export@estun.com)



# ESTUN

[www.estun.com](http://www.estun.com)