



OPERATING INSTRUCTIONS MANUAL

codice: 80587_ 02-2019 - ENG

ATTENTION!

This manual must always be available to operators of the devices described here.

Always make sure that you have the latest version of the manual, which is available for free download from the GEFRAN website (www.gefran.com).

Installers and/or maintenance personnel are required to read this manual and to precisely follow the instructions contained in it and in its attachments.

GEFRAN will not be liable for any damage to persons and/or property, or to the product itself, caused by failure to follow the instructions and observe the warnings given below.



This manual and its attachments may be freely reproduced as long as they are not changed in any way and every copy contains this warning and the declaration of ownership by Gefran S.p.A.

REVISION DOCUMENTS

DATE	CODE	UPDATE	N. pages of the document

Copyright © 2018 Gefran Soluzioni

Subject to change without notice

The information contained in this document is provided for informational purposes only. While efforts were made to verify the accuracy of the information contained in this documentation, it is provided "as is" without warranty of any kind.

Third-party brands and names are the property of their respective owners.

www.gefran.com/en/gefran-soluzioni

TABLE OF CONTENTS

1. PRODUCT OVERVIEW.....	5
2. STANDARDS AND APPROVALS	5
3. TECHNICAL SPECIFICATIONS.....	7
4. TECHNICAL DATA.....	8
4.1. Dimensions.....	9
4.2. Installation Environment	10
4.3. Safety instruction	10
4.4. Installation Procedure.....	10
5. CONNECTIONS.....	11
5.1. Serial Port.....	11
5.2. Ethernet Port	12
5.3. Optional plugin module.....	12
5.4. Optional plugin module installation procedure.....	13
6. POWER SUPPLY, GROUNDING AND SHIELDING.....	14
7. BATTERY	15
8. SPECIAL INSTRUCTION FOR USE	15
9. GETTING STARTED	15
10. SYSTEM SETTINGS.....	16
11. UNPACKING AND PACKING INSTRUCTIONS.....	18

INTRODUCTION

The operational guidelines described below is information which relates to the device, installation, transportation, storage, assembly, use and maintenance.

This Operating Instruction describes the main features of the Gefran Soluzioni srl operator panels. The Manual refers to the following models:

- eView HD 070** Operator interface with TFT color 7" widescreen display multitouch projected capacitive touchscreen
- eView HD 101** Operator interface with TFT color 10.1" widescreen display multitouch projected capacitive touchscreen
- eView HD 156** Operator interface with TFT color 15.6" widescreen display multitouch projected capacitive touchscreen
- eView HD 215** Operator interface with TFT color 21.5" widescreen display multitouch projected capacitive touchscreen

SAFETY GUIDE

The manual contains safety standards that must be respected for the personal safety and to avoid damage.

Indications of attention are divided into three levels of severity:



DANGER: indicates a failure to observe safety rules and such failure may cause death or serious injuries.



ATTENTION: indicates a failure to observe safety rules and that deficiency may cause damage.



CAUTION: indicates a failure to observe safety rules and that deficiency may cause defects to the equipment or inconsistencies.

1. PRODUCT OVERVIEW

eView HD HMI products combine state-of-the-art connectivity features and top performance in a great design. Products have been designed as IoT edge devices with the combination of a powerful controller with networking capability (up to 3 Ethernet networks) and outstanding communication options including client/server OPC UA. They are the ideal choice for all demanding IoT edge applications in factory, marine and building automation.

The glass projected capacitive touchscreen and the brilliant displays with size up to 21.5" and resolution up to 1920x1080

guarantee great optical performance; with the support of multitouch gesture programming they can create the most natural human interfaces.

- eView HD products have been designed to run the GF Designer HD software for powerful HMI applications.
- Gateway function with OPC UA Server and Client.
- Secure connectivity with Gefran Cloud and full network separation.
- Powerful browser with industry standard Web engines.

2. STANDARDS AND APPROVALS

The products have been designed for use in an industrial environment in compliance with the 2014/30/EU EMC Directive.


The products have been designed in compliance with:

EN 61000-6-4 CISPR 22 Class A
 CISPR 16-2-3

EN 61000-6-2 EN 61000-4-2
 EN 61000-4-3
 EN 61000-4-4
 EN 61000-4-5
 EN 61000-4-6
 EN 61000-4-8
 EN 61000-4-11
 EN 61000-4-29

EN60945

IECEX IECEx: IECEx ULD 17.0019X
IEC 60079-0, Ed.6 Ex nA IIC T5 Gc -20≤Tamb≤+60°C or 0≤Tamb≤+50°C
IEC 60079-15, Ed.4 Ex tc IIIC T95°C Dc
IEC 60079-31, Ed.2

ATEX DEMKO 17 ATEX 1871X
EN 60079-0: 2012+A11:2013 II 3G Ex nA IIC T5 Gc -20≤Tamb≤+60°C or 0≤Tamb≤+50°C
EN 60079-15: 2010  II 3D Ex tc IIIC T95°C Dc
EN 60079-31: 2014

The installation of these devices into the residential, commercial and light-industrial environments is allowed only in the case that special measures are taken in order to ensure conformity to EN 61000-6-3.

The products are in compliance with the Restrictions on Certain Hazardous Substances (RoHS) Directive 2011/65/EU

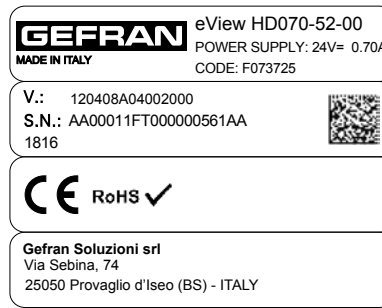
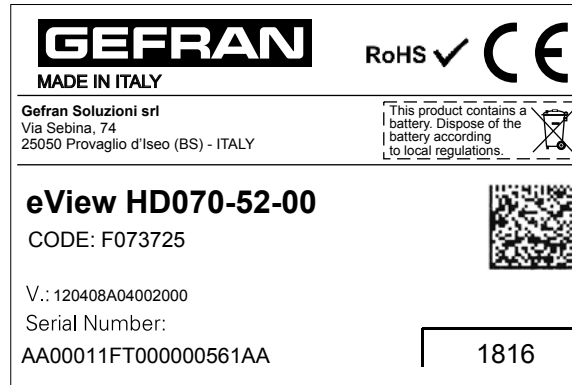
In compliance with the above regulations the products are CE marked.


Product Identification

The product may be identified through a plate attached to the rear cover. You will have to know the type of unit you are using for correct usage of the information contained in the guide.

An example of this plate is shown in the figure below:

Note: the eView HD label is used as an example for eView HD Series



Product model name	eView HD070-52-00
Code:	F073725
Year/week of production	1816
Serial Number	AA00011FT000000561AA
Version id of the product	120408A04002000
Manufacturer address	Gefran Soluzioni srl Via Sebina 74 25050 Provaglio D'Iseo (Bs) - Italy
ATEX Marking	DEMKO 17 ATEX 1871X  II 3G Ex nA IIC T5 Gc -20≤Tamb≤+60°C or 0≤Tamb≤+50°C II 3D Ex tc IIIC T95°C Dc
IECEX Marking	ECEX: IECEX ULD 17.0019X Ex nA IIC T5 Gc -20≤Tamb≤+60°C or 0≤Tamb≤+50°C Ex tc IIIC T95°C Dc

3. TECHNICAL SPECIFICATIONS

Touchscreen technology	Projected capacitive	
Back-up battery	3V 50mAh Lithium, rechargeable, not user-replaceable, model VL2330.	
Fuse	Automatic	
Serial Port	RS-232, RS-485, RS-422 software configurable	
Flash	4GB for eView HD 070, eView HD 101, 8GB for eView HD 156, eView HD 215	
RAM	1GB for eView HD 070, eView HD 101, 2GB for eView HD 156, eView HD 215	
Hardware clock	Clock/Calendar with back-up battery	
Accuracy RTC (at 25°C)	<100ppm	
ENVIRONMENTAL CONDITIONS		
Operating temperature (surrounding air temperature)	-20 ÷ +60°C (vertical installation) Plug-in modules and USB devices may limit max temperature to +50°C	EN 60068-2-14
Storage temperature	-20 ÷ +70°C	EN 60068-2-1 EN 60068-2-2 EN 60068-2-14
Operating and storage humidity	5 ÷ 85 % RH not-condensing	EN 60068-2-30
Vibrations	5 ÷ 9 Hz, 7 mm p-p 9 ÷ 150 Hz, 1 g	EN 60068-2-6
Shock	± 50 g, 11 ms, 3 pulses per axis	EN 60068-2-27
Protection class	Front panel IP66, Rear IP20	EN 60529
ELECTROMAGNETIC COMPATIBILITY (EMC)		
Radiated disturbance test	Class A	CISPR 22 CISPR 16-2-3
Electrostatic discharge immunity test	8 kV (air electrostatic discharge) 4 kV (contact electrostatic discharge)	EN 61000-4-2
Radiated, radio-frequency, electromagnetic field immunity test	80 MHz ÷ 1 GHz, 10V/m 1,4 GHz ÷ 2 GHz, 3 V/m 2 GHz ÷ 2.7 GHz, 1 V/m	EN 61000-4-3
Burst immunity test	± 2 KV dc power port ± 1 KV signal line	EN 61000-4-4
Surge immunity test	± 0,5 KV dc power port (line to earth) ± 0,5 KV dc power port (line to line) ± 1 KV signal line (line to earth)	EN 61000-4-5
Immunity to conducted disturbances induced by radiofrequency field	0.15 ÷ 80 MHz, 10V	EN 61000-4-6
Power frequency magnetic field immunity test	Enclosure, 50/60Hz, 30A/m	EN 61000-4-8
Voltage dips, short interruptions and voltage variations immunity test	Port: AC mains; Level:	
	100% duration:	1 cycle and 250 cycles (50Hz); 1 cycle and 300 cycles (60Hz);
	40% duration:	10 cycles (50Hz); 12 cycles (60Hz);
	70% duration:	25 cycles (50Hz); 30 cycles (60Hz);
	Phase: 0°-180°	
Test executed on the 230Vac side of the Gefran Soluzioni Srl Power Supply		EN 61000-4-11
	Port: DC mains; Level:	
	0% duration:	10ms 20 spaces by 1s
Test executed on the 24Vdc of the EUT		EN 61000-4-29
DURABILITY INFORMATION		
Backlight service life (LED type)	40000 Hrs. or more (Time of continuous operation until the brightness of the backlight reaches 50% of the rated value when the surrounding air temperature is 25°C) - see Note 1	

Note 1: Extended use in environments where the surrounding air temperature is 40°C or higher may degrade backlight quality/reliability/durability.

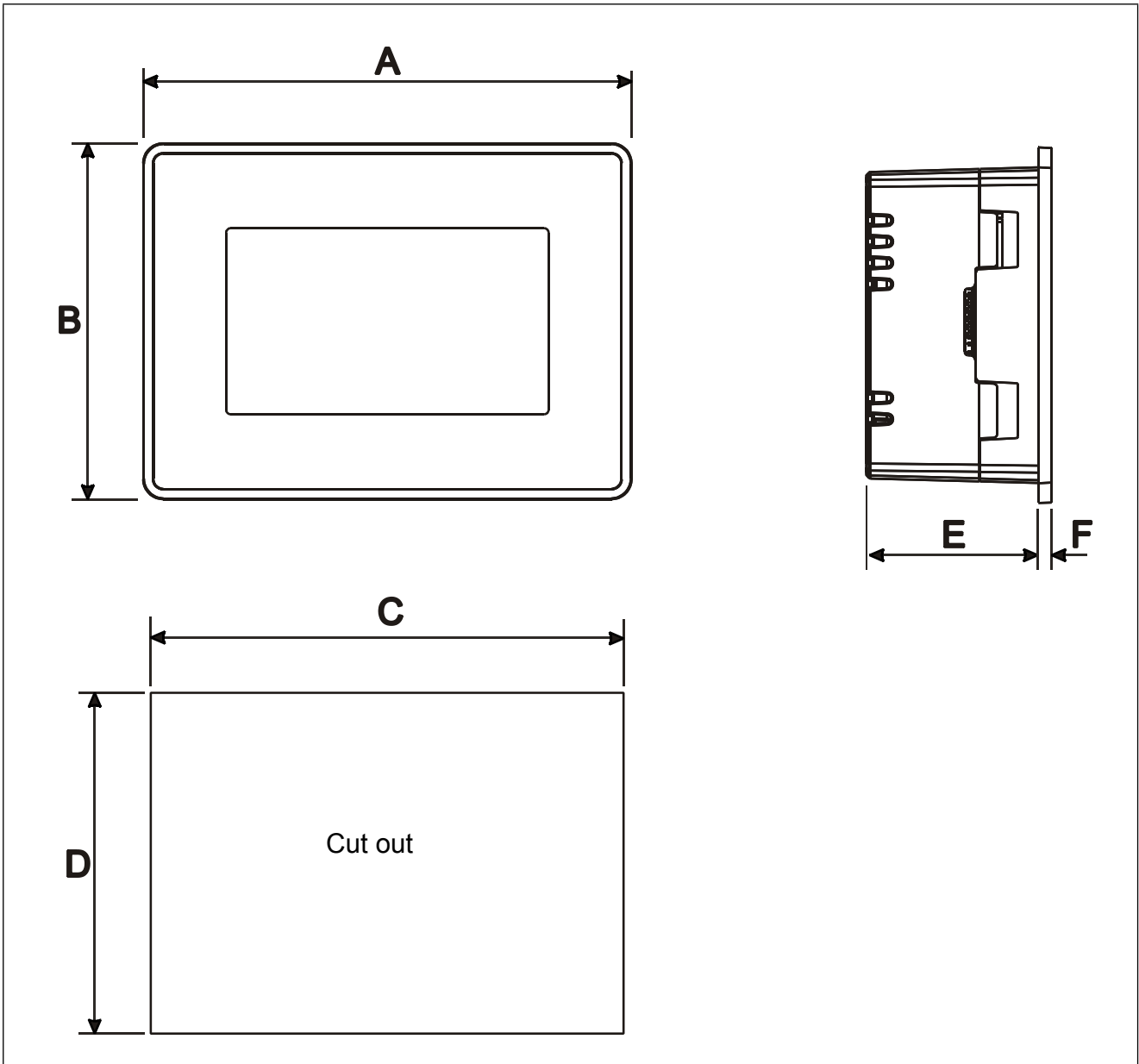
4. TECHNICAL DATA

Model	eView HD 070	eView HD 101	eView HD 156	eView HD 215
Display / Backlight	TFT Color / LED			
Colors	16M			
Resolution	800X480	1280X800	1366X768	1920X1080
Diagonal (inches)	7" widescreen	10.1" widescreen	15.6" widescreen	21.5" widescreen
Dimming	yes			
Flash	4GB		8GB	
SD card slot	yes			
RAM	1GB		2GB	
Serial Port	RS-232,RS-485, RS-422 software configurable			
Ethernet port	2 10/100Mb, 1 10/100/1000Mb			2 10/100Mb with integrated switch, 1 10/100/1000Mb
USB port	2 Host interface version 2.0 max. 500mA			
Expansion slot	2 Optional Plugin			
Battery	rechargeable			
Real Time Clock	yes			
Voltage	24Vdc (*)			
Current rating (at 24VDC)	0.7A	1.00A	1.20A	1.70A
Weight	1.3 Kg	1.7 Kg	4.1 Kg	6.1 Kg

(*) 10-32Vdc

For applications requiring compliance with EN 61131-2 and specifically in reference to 10 ms voltage dips, the power supply range voltage is 18-32Vdc.

4.1. Dimensions



MODEL	A	B	C	D	E	F
eView HD 070	187mm/7.36"	147mm/5.79"	176mm/6.90"	136mm/5.35"	47mm/1.85"	8mm/0.31"
eView HD 101	282mm/11.10"	197mm/7.80"	271mm/10.67"	186mm/7.32"	56mm/2.20"	8mm/0.31"
eView HD 156	422mm/16.60"	267mm/10.50"	411mm/16.18"	256mm/10.00"	56mm/2.20"	8mm/0.31"
eView HD 215	552mm/21.73"	347mm/13.66"	541mm/21.30"	336mm/13.22"	56mm/2.20"	8mm/0.31"

4.2. Installation Environment

Avoid prolonged exposition to direct sunlight to avoid the risk of overheating the device.

The equipment is not intended for installation in contact with corrosive chemical compounds. Check the resistance of the front panel to a specific compound before installation.

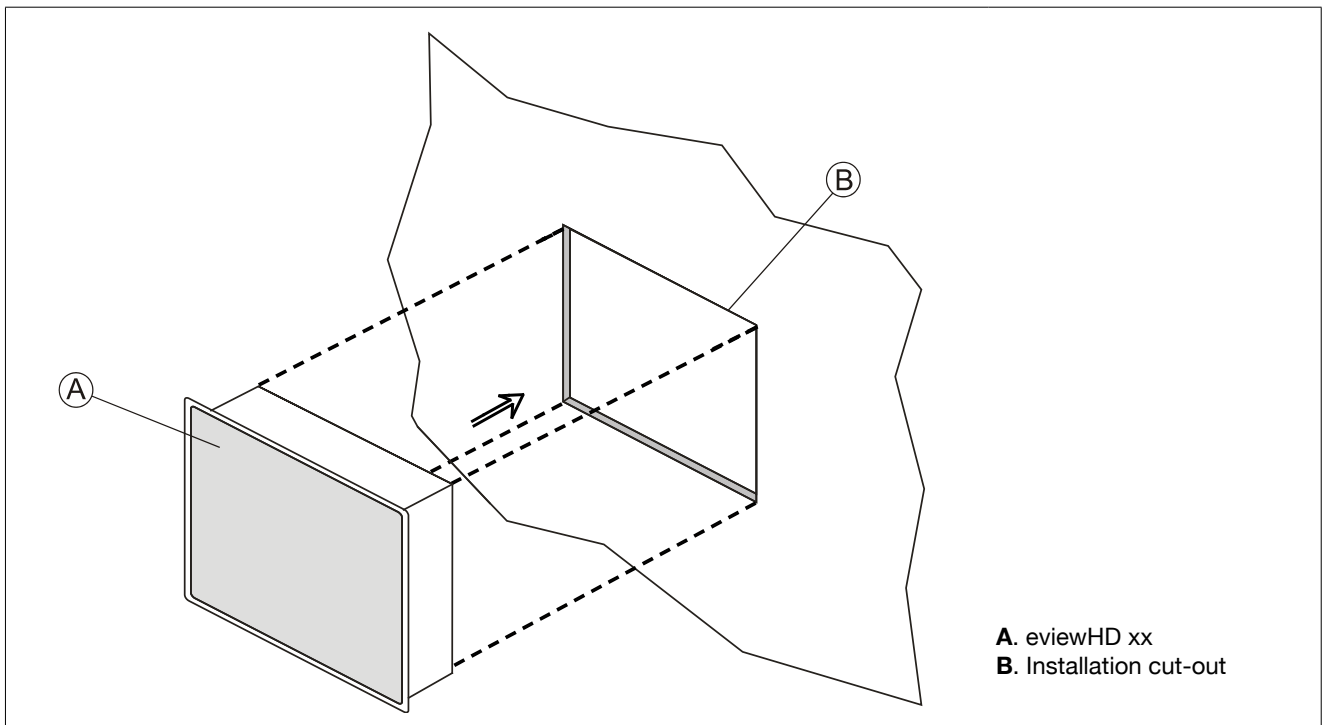
Do not use tools of any kind (screwdrivers, etc.) to operate the touch screen of the panel.

In order to meet the front panel protection classifications, proper installation procedure must be followed:

- the borders of the cutout must be flat
- screw up each fixing screw until the bezel corner get in contact with the panel.
- the cutout for the panel must be of the dimensions indicated in this manual.

The IP66 is guaranteed only if:

- max deviation from the plane surface to the cut-out: $\pm 0.5\text{mm}$
- thickness of the case where is mounted the equipment: from 1,5mm to 6mm
- max surface roughness where the gasket is applied: $\pm 120\text{ um}$



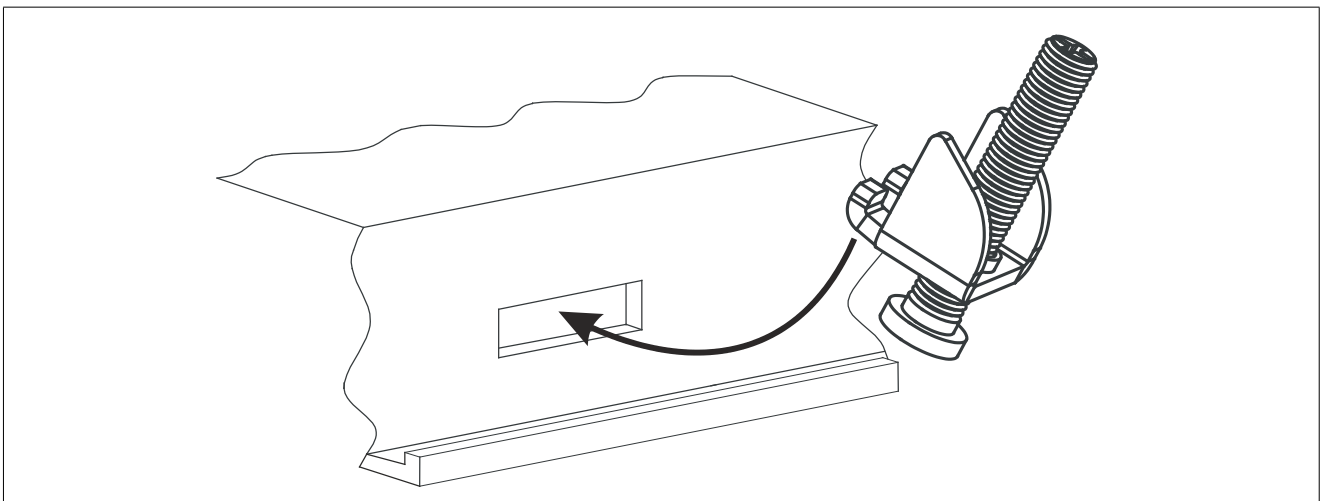
4.3. Safety instruction



For all installation notes, please refer to the Installation Guide provided with the product.

4.4. Installation Procedure

Place the fixing brackets contained in the fixing kit as shown in figure



For all installation notes, please refer to the Installation Guide provided with the product.

5. CONNECTIONS

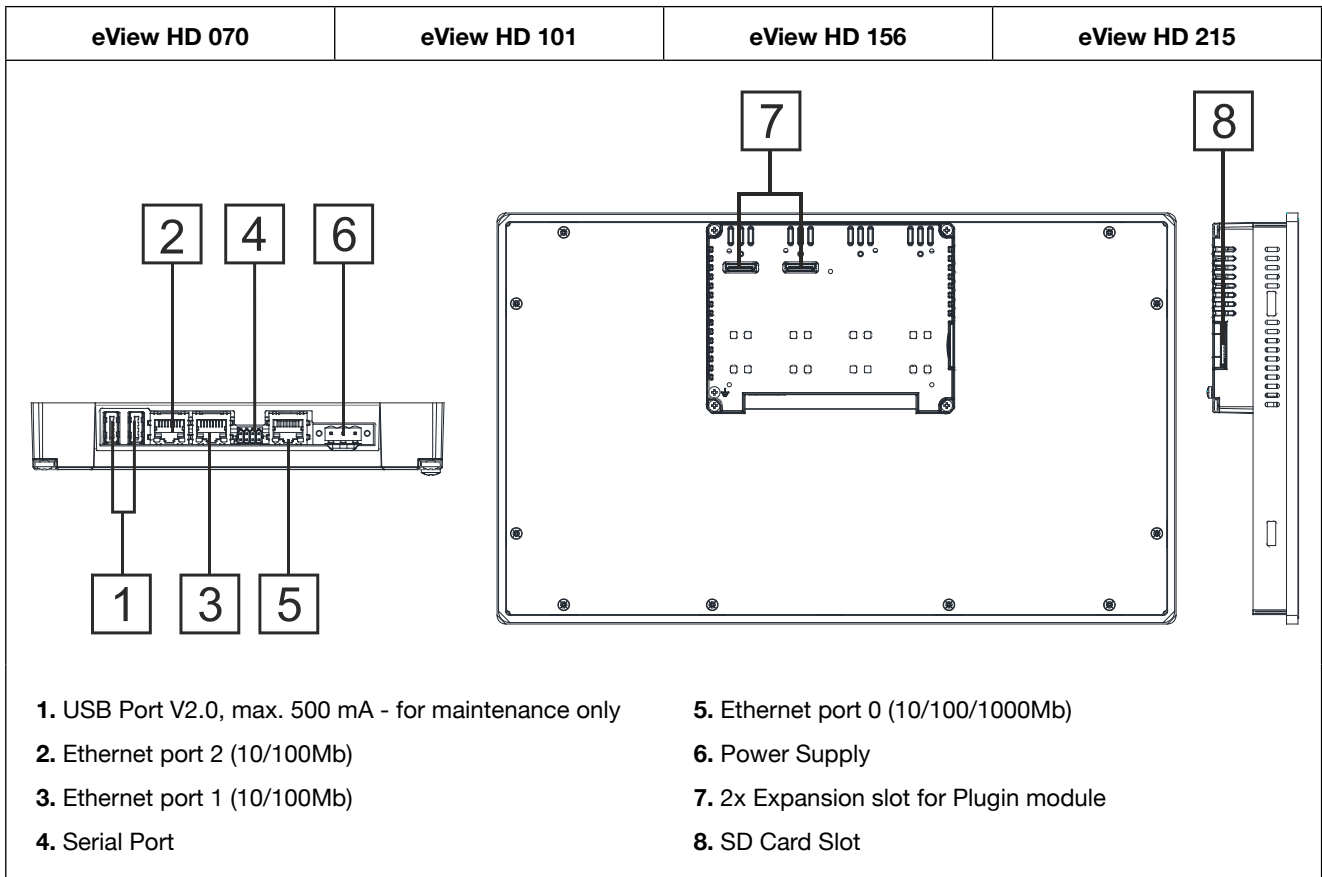
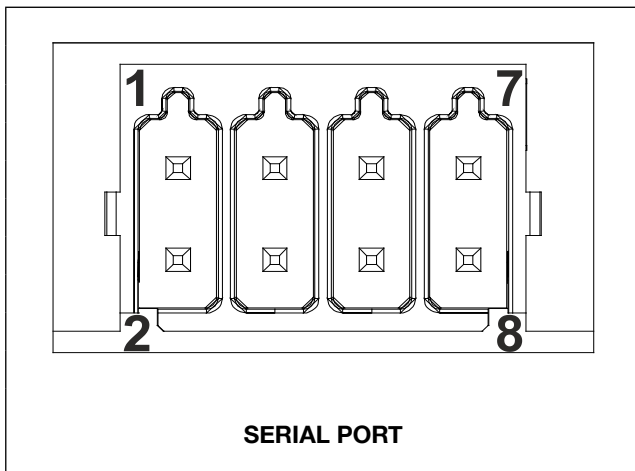


Figure 5.1

5.1. Serial Port

The serial port is used to communicate with the PLC or with another type of controller.
 Different electrical standards are available for the signals in the PLC port connector: RS-232, RS-422, RS-485.

The serial port is software programmable. Make sure you select the appropriate interface in the programming software..

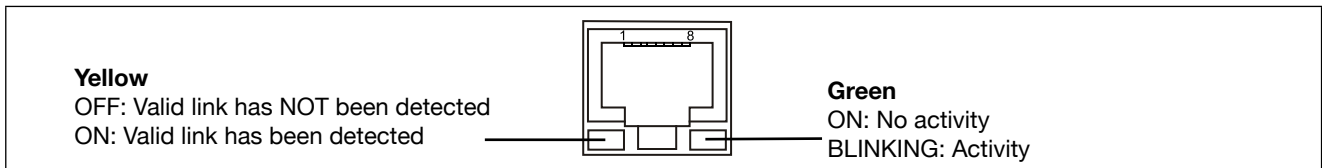


RS-232		RS-422, RS-485	
Pin	Description	Pin	Description
1	RX	1	CHB-
2	TX	2	CHA-
3	CTS	3	CHB+
4	RTS	4	CHA+
5	+5V output	5	+5V output
6	GND	6	GND
7		7	
8	SHIELD	8	SHIELD
		To operate in RS-485 pins 1-2 and 3-4 must be connected externally.	

The communication cable must be chosen for the type of device being connected.

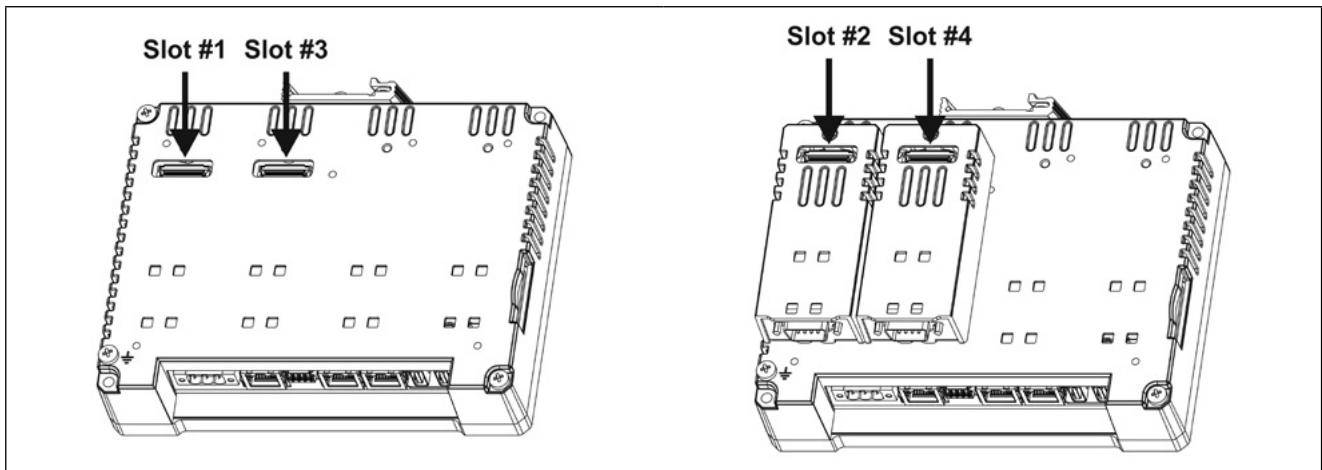
5.2. Ethernet Port

The Ethernet port have two status indicators. Please see description in figure.



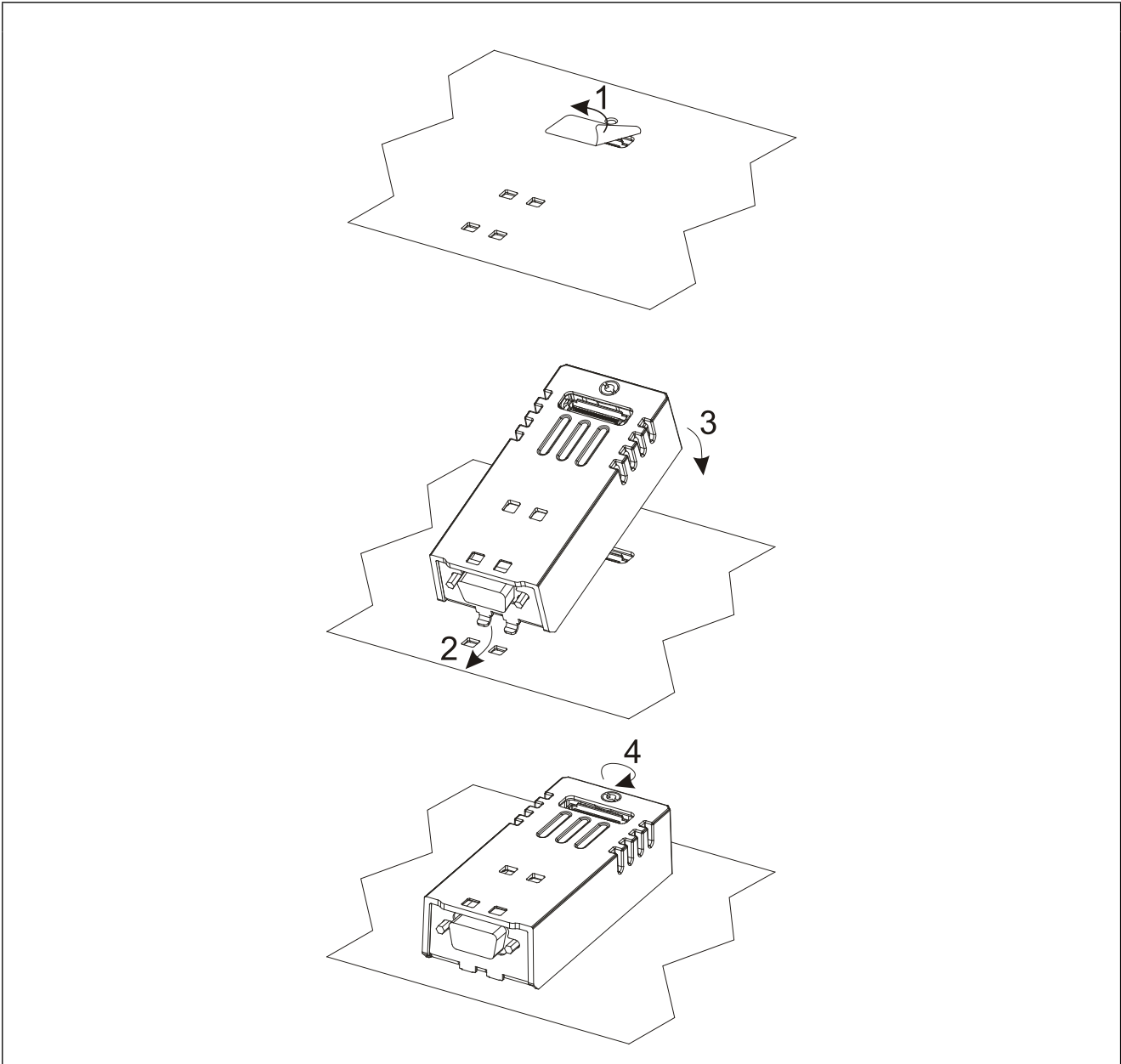
5.3. Optional plugin module

eView HD panels have several optional plugin module, multiple modules configurations are possible..



Slot#2 and Slot#4 are available only if plugin module has the “bus extension connector”.

5.4. Optional plugin module installation procedure



6. POWER SUPPLY, GROUNDING AND SHIELDING

The power supply terminal block is shown in the figure below.

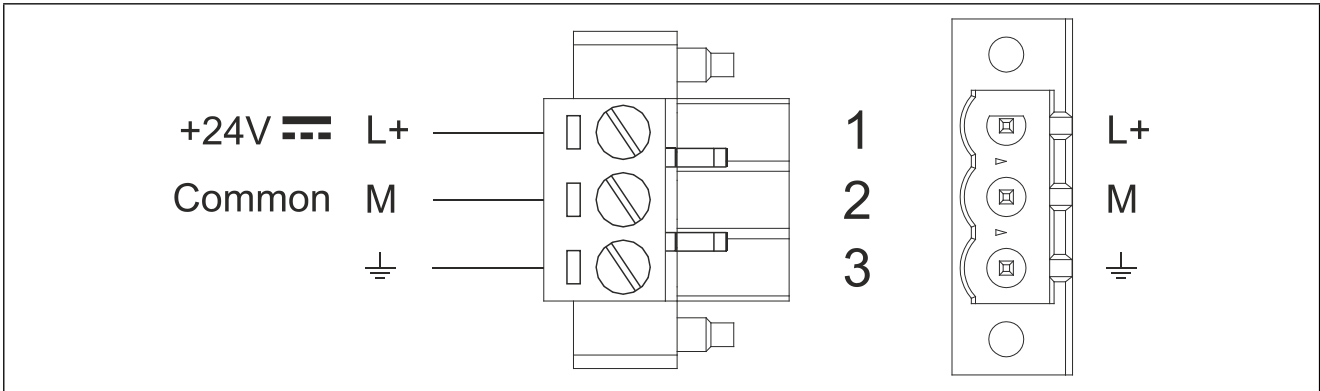


Figure 6.1

3 conductor 1,5mm² wire size minimum, minimum temperature conductor rating 105°C.

Note: Ensure that the power supply has enough power capacity for the operation of the equipment.

The unit must always be grounded to earth with 1,5mm² wire size minimum. Grounding helps limit the effects of noise due to electromagnetic interference on the control system. Earth connection will have to be done using either the screw or the faston terminal located near the power supply terminal block. A label helps identify the ground connection. Also connect to ground the terminal 3 on the power supply terminal block.

The power supply circuit may be floating or grounded. In the latter case, connect to ground the power source common as shown in figure (see below) with a dashed line. When using the floating power scheme, note that the panel internally connects the power common to ground with a 1MΩ resistor in parallel with a 4,7nF capacitor.

The power supply must have double or reinforced insulation. The suggested wiring for the power supply is shown below.

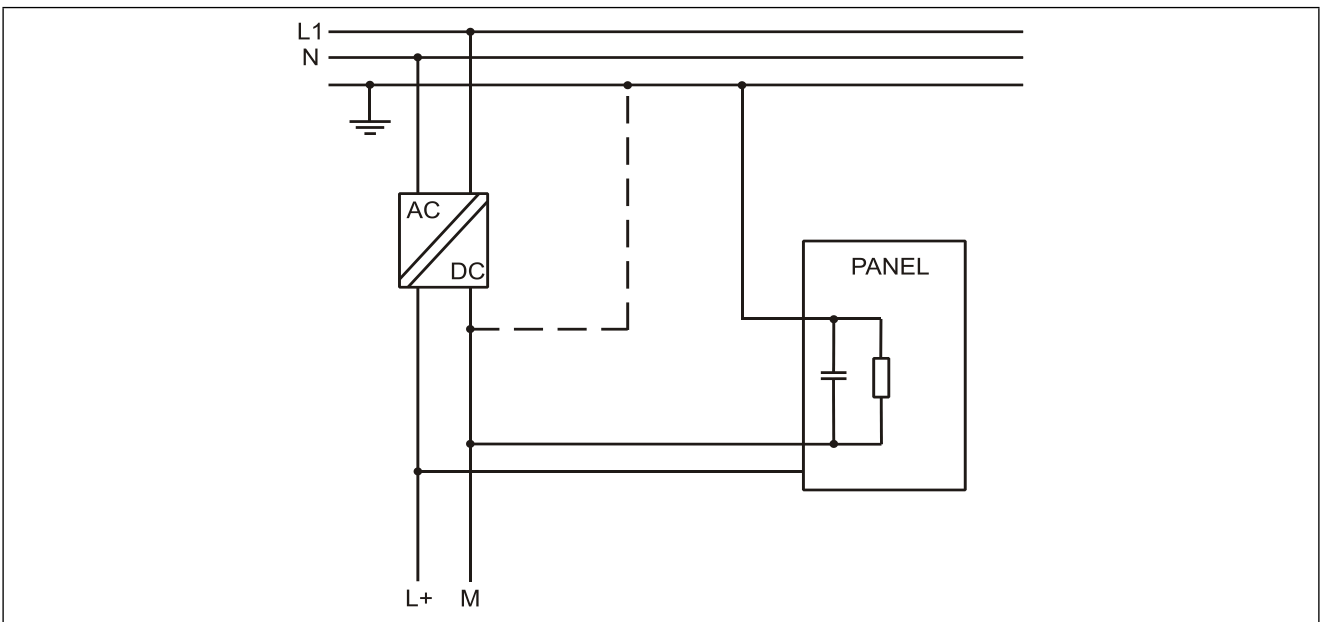


Figure 6.2

All the electronic devices in the control system must be properly grounded. Grounding must be performed according to applicable regulations.

7. BATTERY

These devices are equipped with rechargeable Lithium battery, not user-replaceable.

The following information is maintained by the battery:

- hardware real-time clock (date and time)

Charge:

At first installation must be charged for 48 hours.

When the battery is fully charged, it ensures a period of 3 months of data back-up at 25°C.

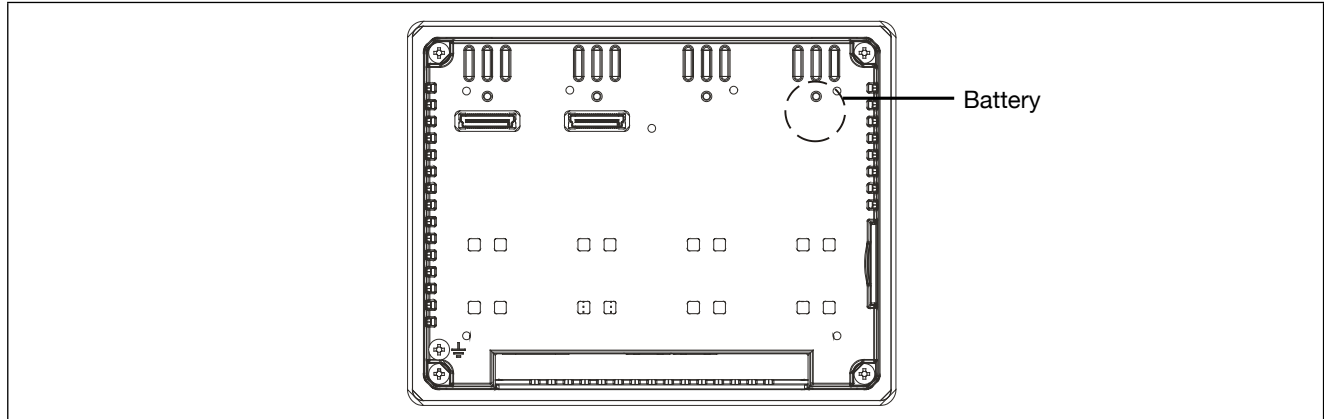


Figure 7.1: eView HD 070, eView HD 101, eView HD 156, eView HD 215



ATTENTION

Dispose of batteries according to local regulations.



ATTENTION

This device cannot be disposed of as a domestic waste but according to WEEE European Directive 2012/19/EU



8. SPECIAL INSTRUCTION FOR USE

- The equipment shall only be used in an area of not more than pollution degree 2, as defined in IEC/EN 60664-1.
- The equipment shall be installed in an enclosure that provides a degree of protection not less than IP 54 in accordance with IEC/EN 60079-15.
- Transient protection shall be provided that is set at a level not exceeding 140 % of the peak rated voltage value at the supply terminals to the equipment.
- Install the HMI device according to the accompanying installation instructions.
- Ground the HMI device according to the accompanying installation instructions.
- Only qualified personnel may install the HMI device or repair it.
- Ensure that the aeration holes are not covered.
- Care shall be taken not to allow layers of dust to form on the graphic panel in a way that might cause the accumulation of static charges. Keep the faceplate of the HMI device clean: the equipment must be cleaned only with a soft cloth and neutral soap product. Do not use solvents.
- This device should not be used for purposes and methods other than indicated in this document and in the documentation accompanying the product.

9. GETTING STARTED

eX Series 700 HMI products delivery configuration is based on a loader. Use the services of the loader to install applications on the device such as GF Designer HD runtime or browsers. GF Designer HD Studio version V2.6 or higher is required. GF Designer HD is a software tool that must be properly installed on a computer running Microsoft Windows.

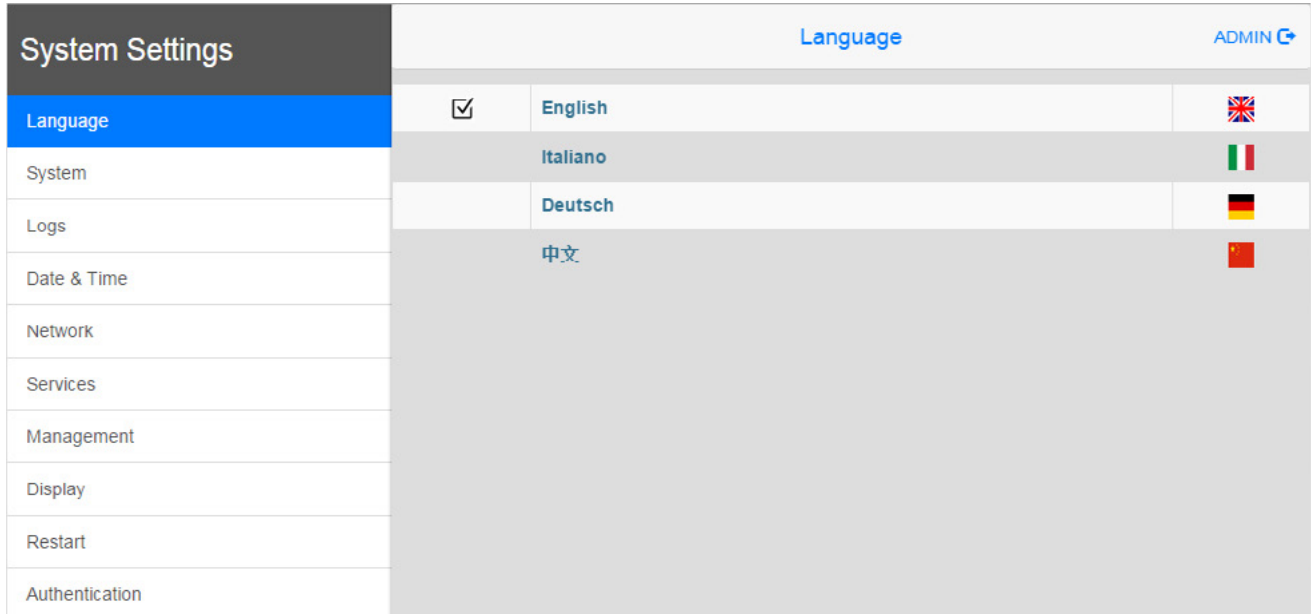
There are two options to transfer a GF Designer HD application project to a HMI device:

- Ethernet** Connect the HMI device to the computer with an Ethernet network. In GF Designer HD Studio select the command Run/Download to target. You may have to ensure that the proper firewall policy has been configured in the computer to allow GF Designer HD Studio to access the network.
- USB** Create an Update Package using GF Designer HD Studio and copy it to a USB Flash drive

10. SYSTEM SETTINGS

eX Series 700 HMI products have a system settings interface to allow configuration of system options. The user interface of System Settings is based on HTML pages accessible from the HMI screen or remotely using a Web browser Chrome v44 or higher using port 443. To connect

enter the address `https:// IP/machine_config` where IP is the IP address of the HMI device. Default username is "admin", default password is "admin". Use navigation menu on the left side of the screen to browse through the available options.



The active item of menu is highlighted on the left side of the screen. The right side shows related information and settings. Depending on the size of the HMI screen, both menu and content of selected item may be shown on screen at the same time or not.

System Settings has two modes of operation:

- User Mode** GF Designer HD runtime is running or the HMI device is in "factory default" status.
- System Mode** GF Designer HD runtime is not running or the HMI device has a software failure. System Mode includes all options available in User Mode and additionally includes commands dedicated to system upgrade and recovery not available when running in User Mode.

Activation of System Settings in **User Mode**:

- Factory default status** Press "System Setting" button on the HMI screen
- GF Designer HD runtime running** Recall context menu and select "System Settings". To recall the context menu click and hold any unused area of the touchscreen for a few seconds. Default hold time is 2 seconds.

Activation of Systems Settings in **System Mode**:

- Normal operation** If GF Designer HD runtime is not running: Press "System Setting" button on the device screen to recall System Settings in User Mode. Select "Restart" -> "Config OS" to reboot in System Mode.
If GF Designer HD runtime is running: recall context menu and select "System Settings". To recall the context menu click and hold any unused area of the touchscreen for a few seconds. Default hold time is 2 seconds to enter in System Settings in User Mode. Select "Restart" -> "Config OS" to reboot in System Mode.
- Recovery operation** If device is not responsive, use the so-called "tap-tap" procedure. This procedure consists in tapping the surface of the touchscreen during the device power-up phase. Tapping frequency must be high. You have to start tapping the touchscreen as soon as power has been applied to the device. When the sequence has been recognized, the system shows the message: "TAP-TAP DETECTED". At this point release touch to boot in User Mode without running GF Designer HD runtime or press and hold few seconds (selecting so "RESTART: CONFIG OS") to boot in System Mode.

System Settings includes options for basic settings of the device:

- Language System** Configure language used for System Setting menu only.
Show information about platform, status and timers (like System on time, backlight on time).
- Logs** Enable persistent log for BSP and allows exporting it.
- Date & Time Network** Change the device date and time, including time zone and NTP Server
Configure IP Address of Ethernet interface and the other network settings like DNS, Gateway, DHCP, Hostname, routing and bridging.
- Services** Enable/disable services. Examples of services are: OpenSSH server, Bridge, Cloud, Router, SNMP and logging.
- Management** Update of BSP components (Main OS, Config OS, Boot loader, XLoader), check for partitions consistence, update of splash screen, information about usage and size of partitions. The update of Main OS is available only in System Mode, the update of Config OS is only in User Mode.

Display Adjust display brightness, configure automatic backlight turnoff and select HMI orientation (90°, 180°, 270° and 360°).

Restart Restart the device. “Main OS” option restarts the device in User Mode, “Config OS” option restarts the device in System Mode showing System Settings.

Authentication Configure password for administrator (“admin”) and for the standard user (“user”). Administrator has full access to System Settings (updates of BSP and other system components). Standard user has some limitations.

Note: Additional informations on System Settings are available in dedicated manual <https://www.gefran.com/gefrancloud/>.

11. UNPACKING AND PACKING INSTRUCTIONS

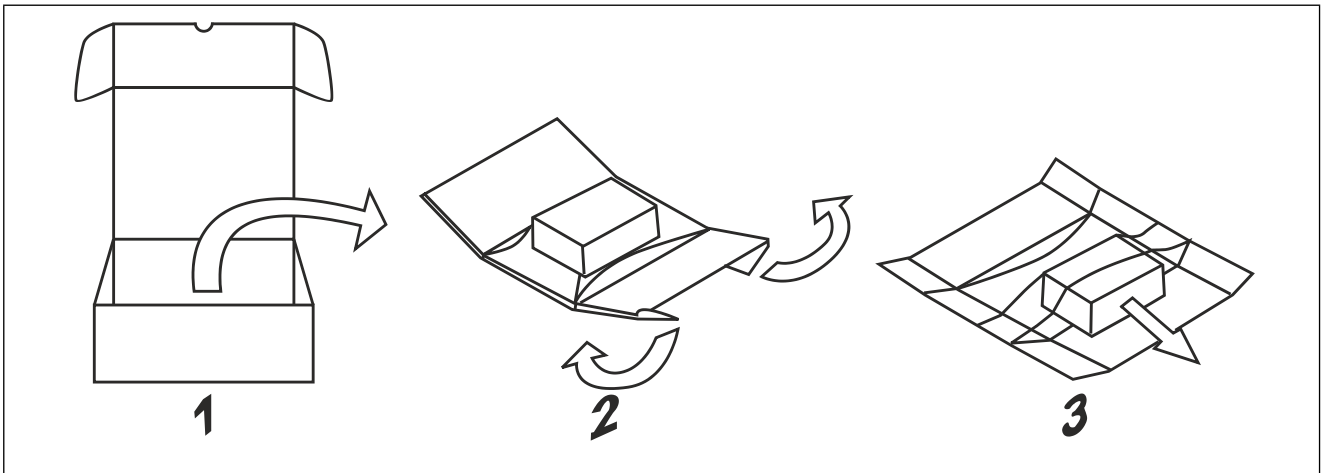


Figure 11.1: eView HD 070, eView HD 101

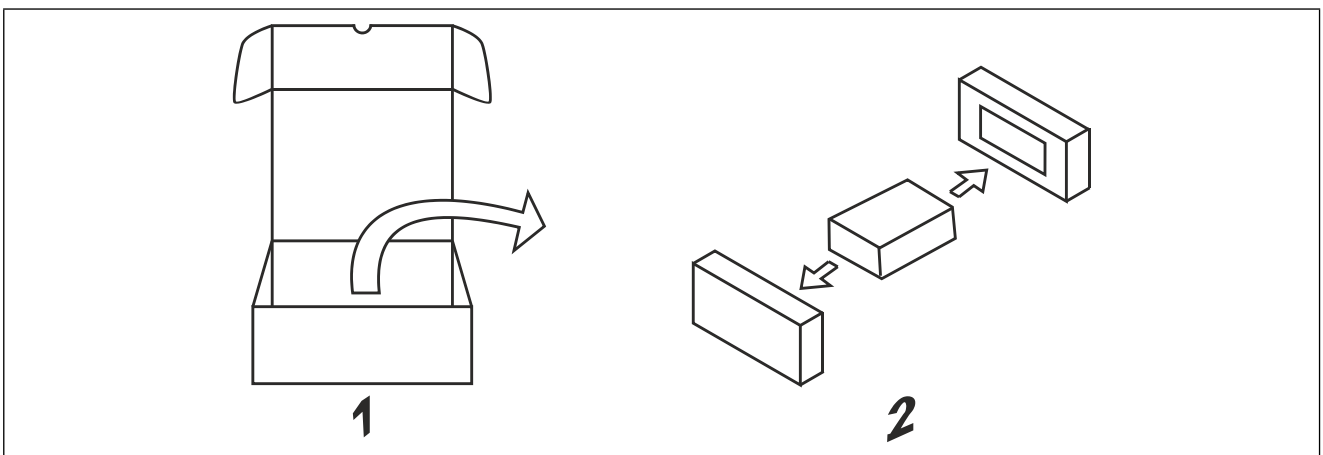


Figure 11.2: eView HD 156, eView HD 215

To repack the unit, please follow the instructions backwards.

GEFRAN

Gefran Soluzioni srl
Via Sebina 74 - 25050 Provaglio d'Iseo (BS) Italy
Tel. +39 0309888.1 - Fax +39 0309839063 - info@gefran.com
<http://www.gefran.com>
www.gefran.com/en/gefran-soluzioni